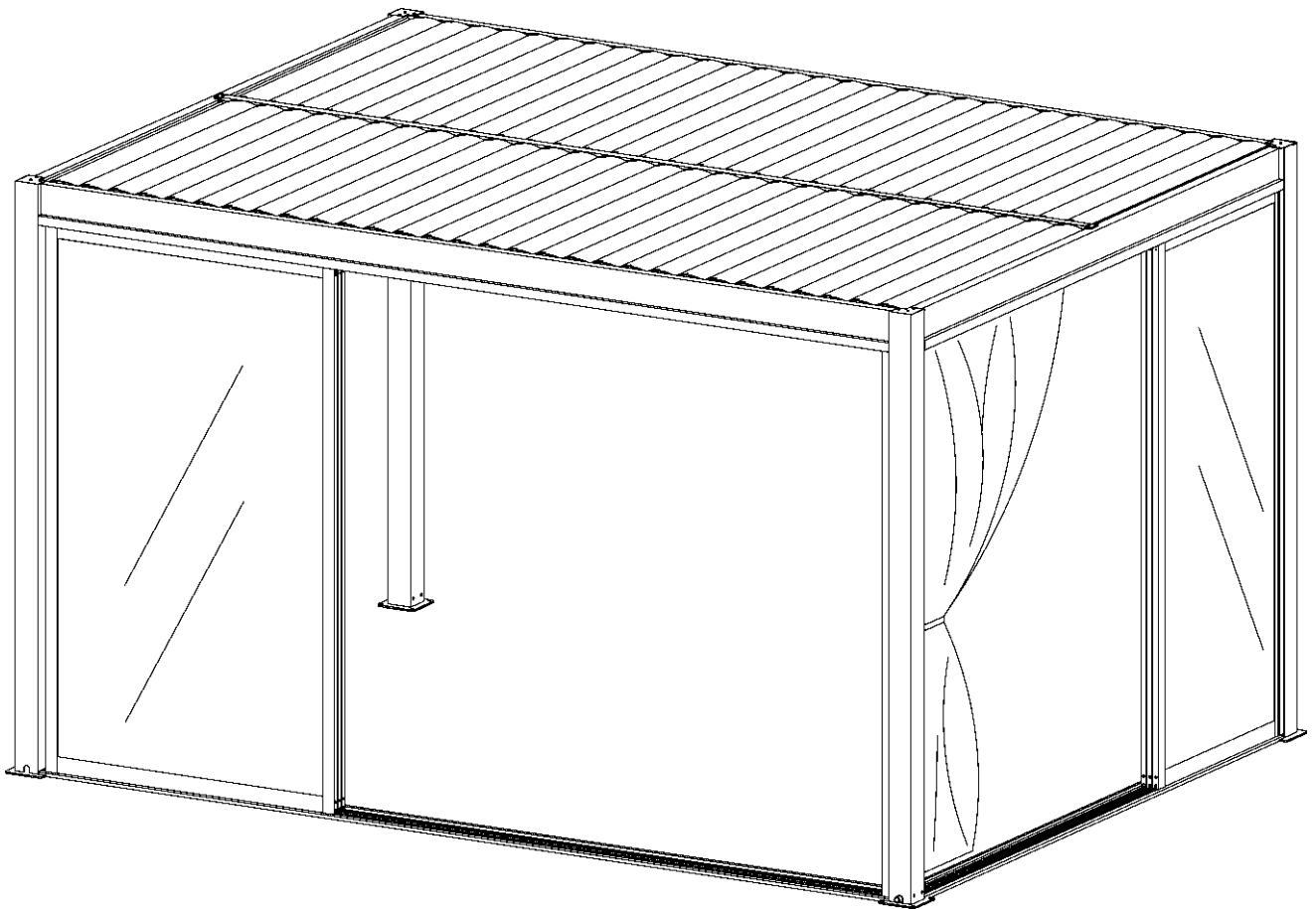


**DANCOVER<sup>®</sup>**

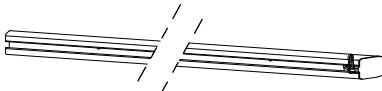

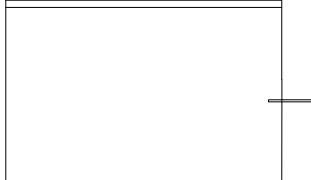

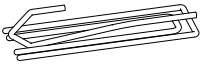

**.com**

Manual  
for  
Curtain Set  
for  
Sunroom San Pablo Alu+ 3m

# Curtain Set 3m User's Manual

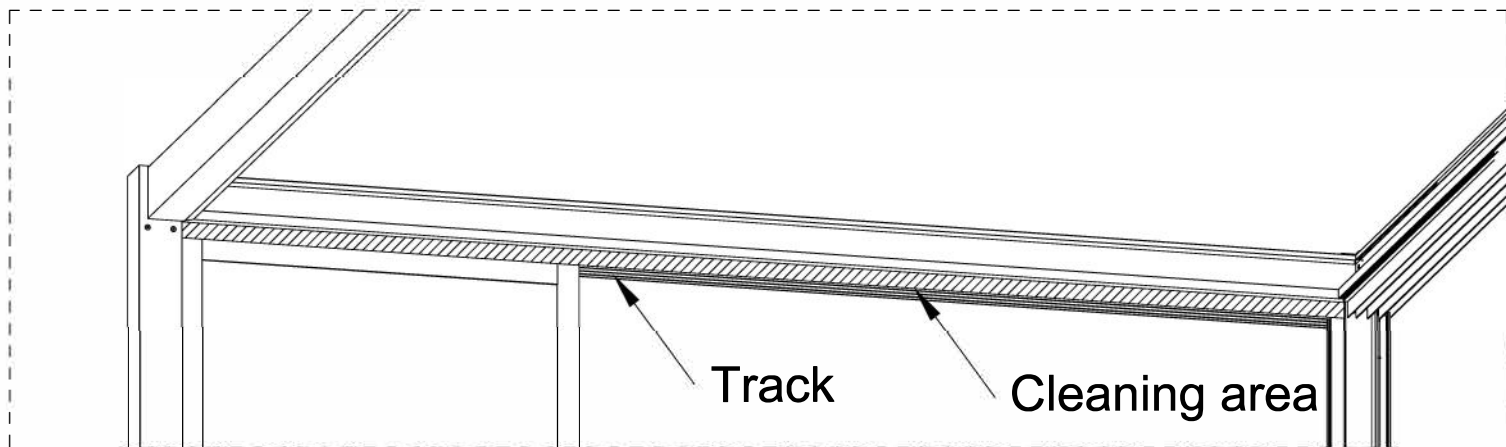


# Part List

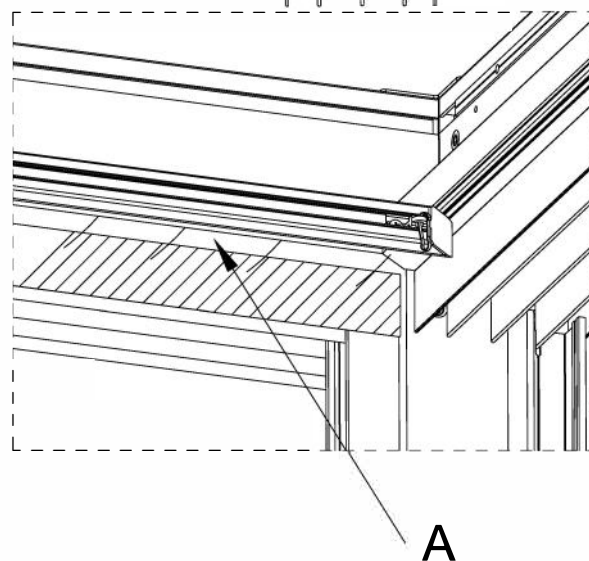
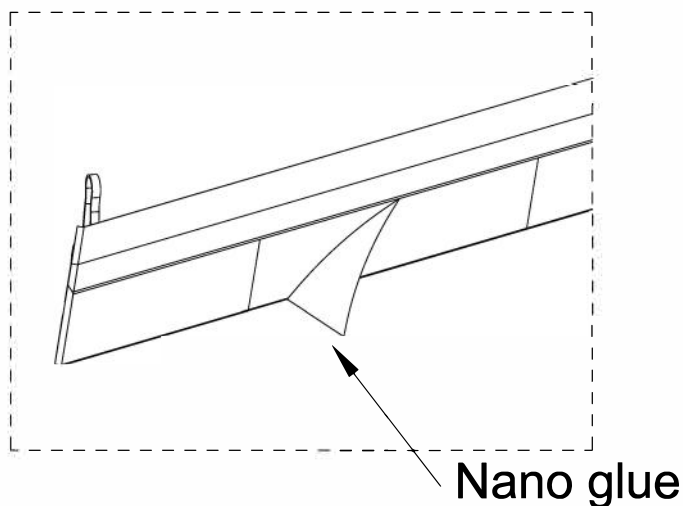
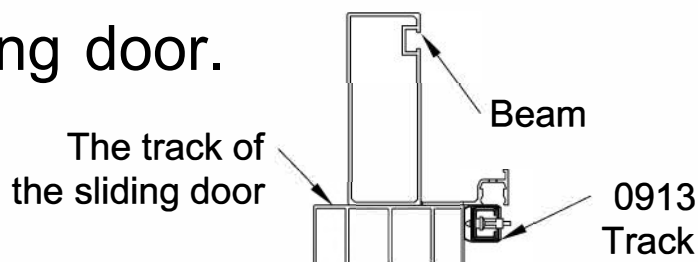
REF	NAME	PHOTO	QTY
A1	0913 track component		2 PCS
B	Wai Cloth with 3M*3M Left		1 PC
C	Wai Cloth with 3M*3M Right		1 PC
D1	Track buckle		14 PCS
D2	A hook		16 PCS
D3	Cross recessed pan head self drilling and self tapping screws	 ST4.2x13	4 PCS

# 1. Mounting Rail

Step 1. Clean the inner area of the up track on the sliding door (Three-meter direction)



Step 2. As shown in the picture, tear off the nanotape and install the 0913 track on the side of the track above the sliding door.

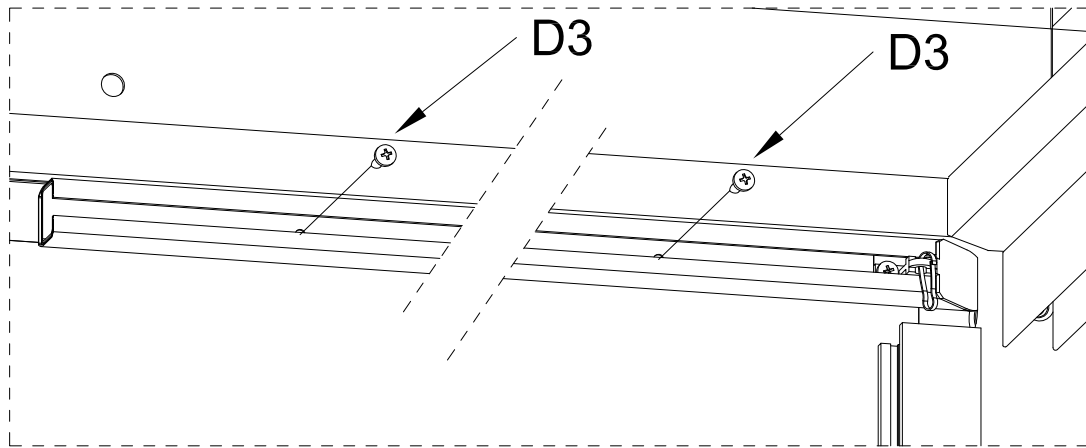


**A1**

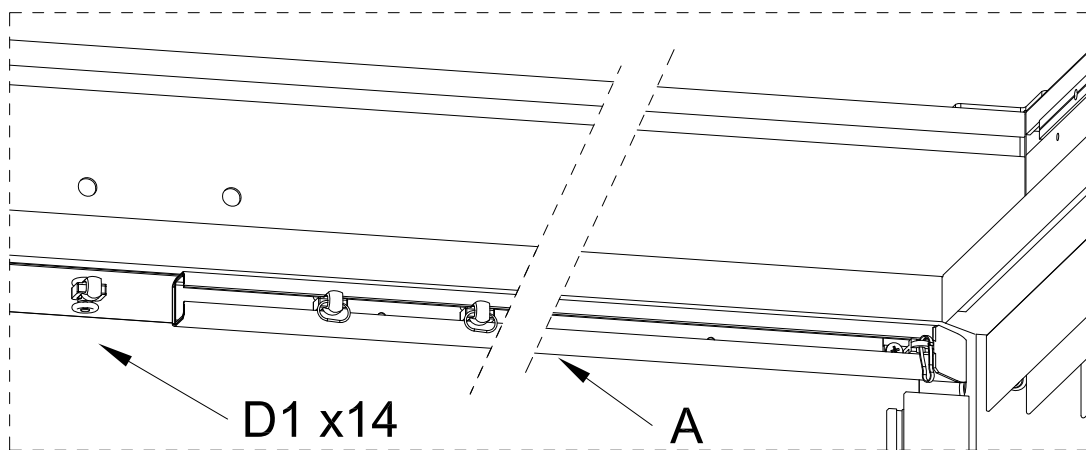


2 PCS

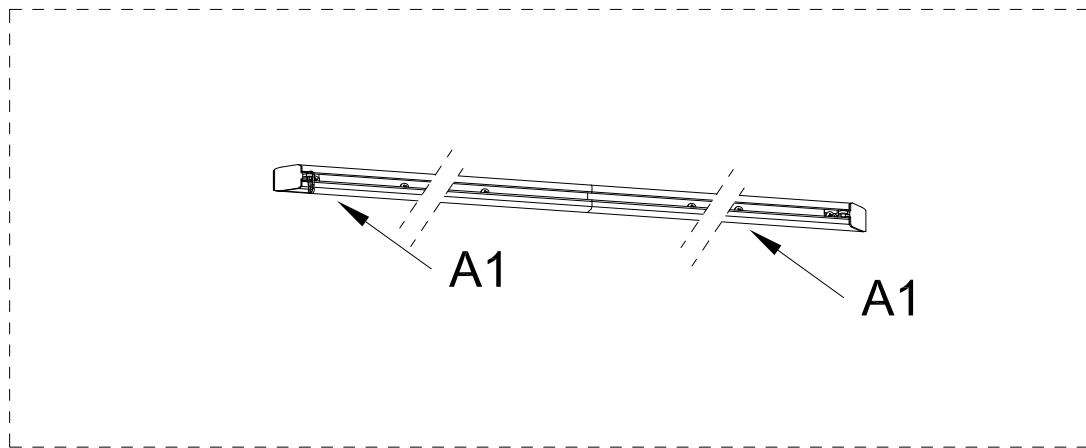
### Step 3. Fixed 0913 track.



### Step 4. Insert 14 Curtain hanging ring into the 0913 track.



### Step 5. Install the remaining tracks in the same way as the previous steps.

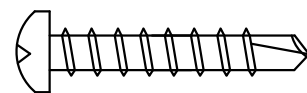


**D1**



14 PCS

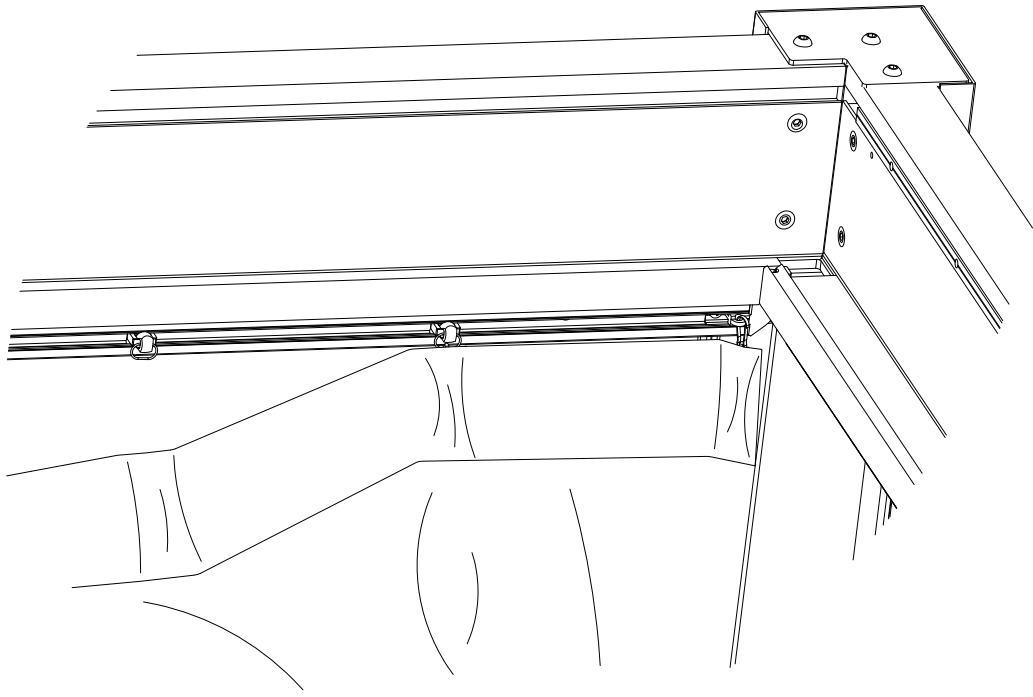
**D3**



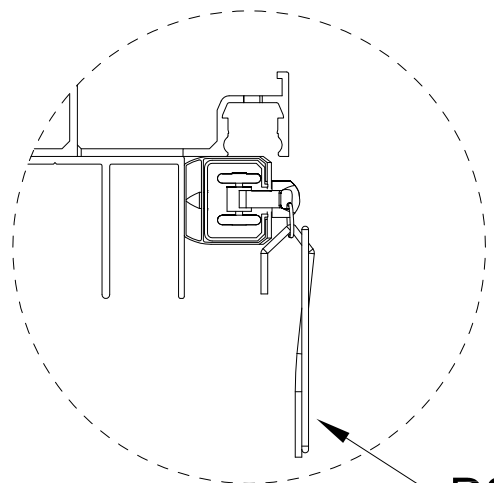
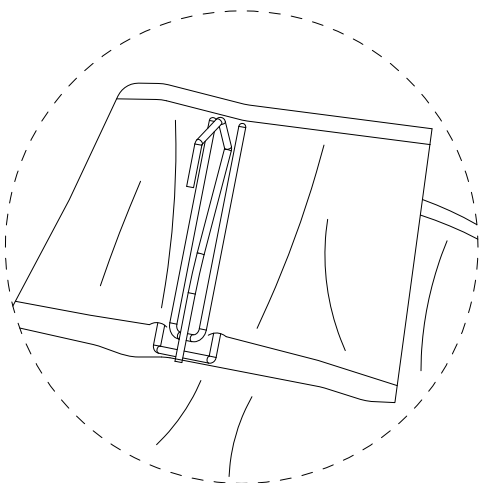
ST4.2x13

4 PCS

# 2. Install the border cloth



**NOTE:**The flat side of the curtain is facing the interior of the space



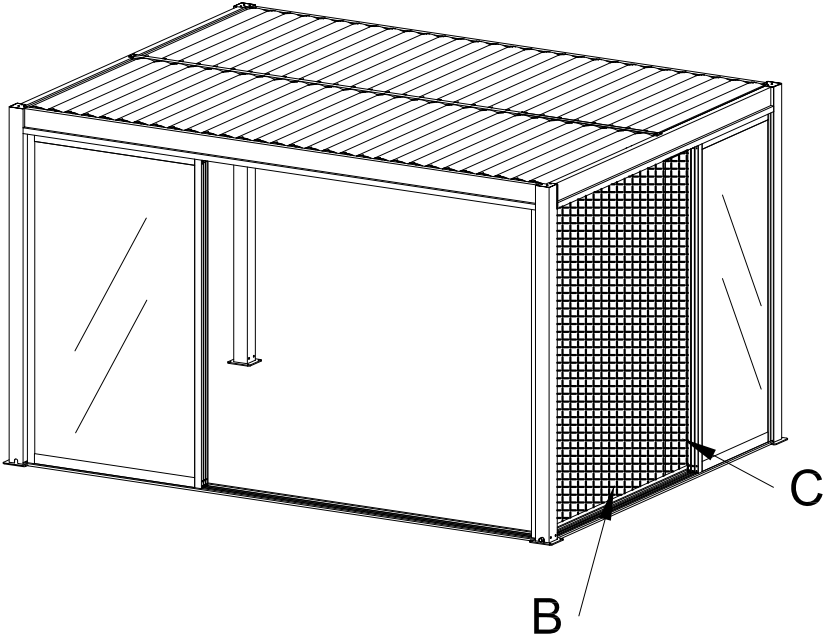
D2

<b>B</b>		1 PC
<b>C</b>		1 PC

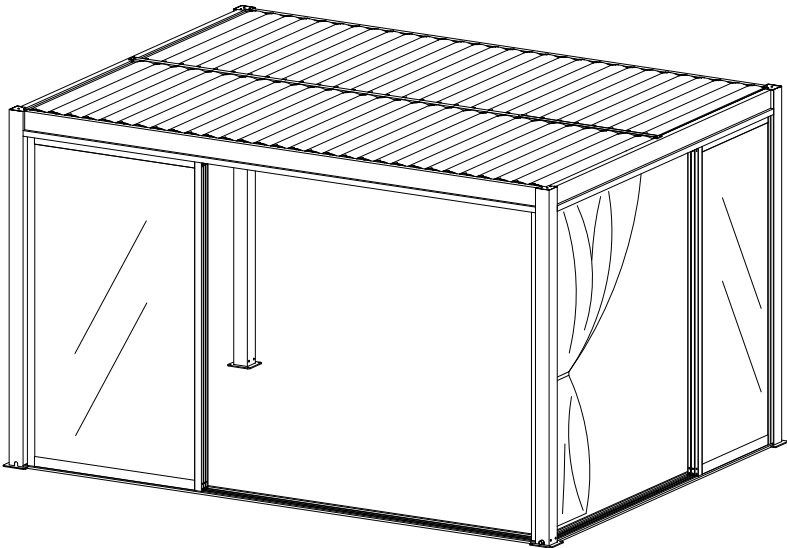
<b>D2</b>		16 PCS
-----------	--	--------

# 3. Open and close indication

CLOSE



OPEN



## Contact information

Austria



Belgium



Croatia



Denmark



Estonia



Finland



France



Germany



Ireland



Italy



Latvia



Lithuania



Nederland



Norway



Poland



Portugal



Spain



Sweden



Switzerland



UK

