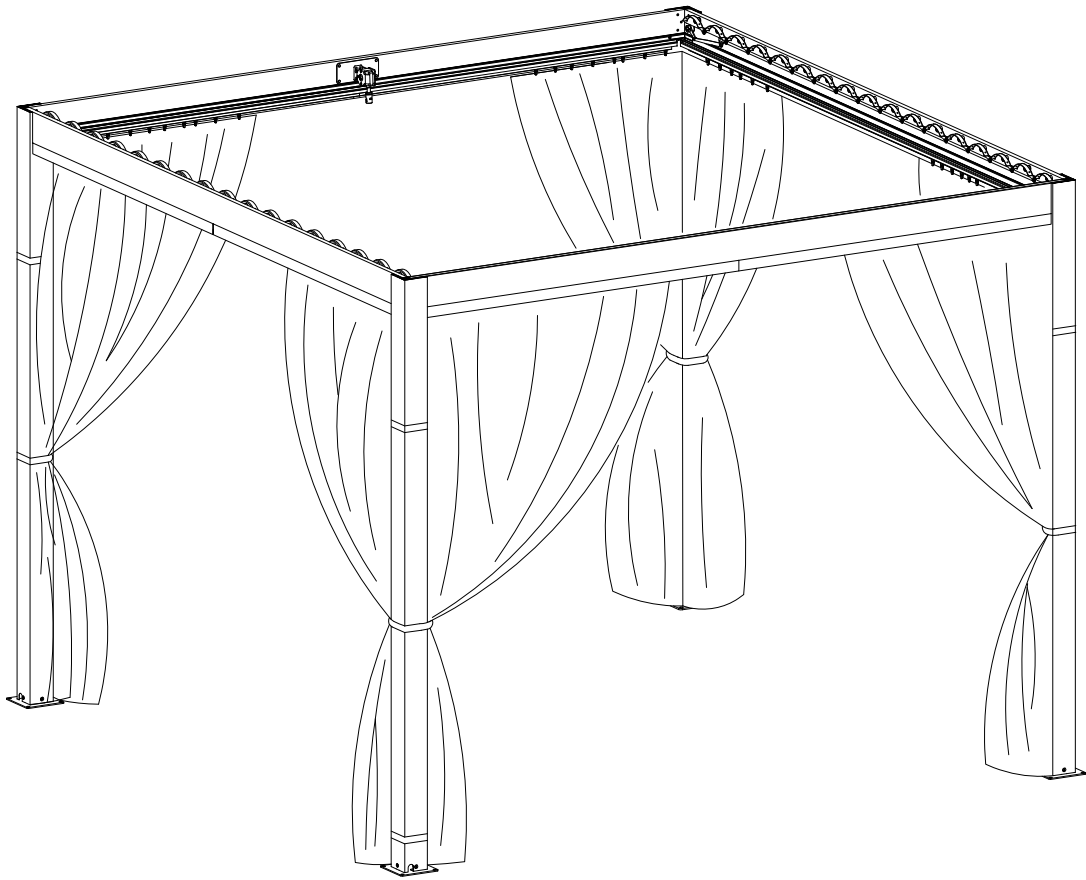


DANCOVER[®]

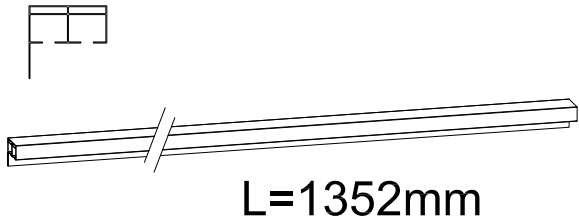
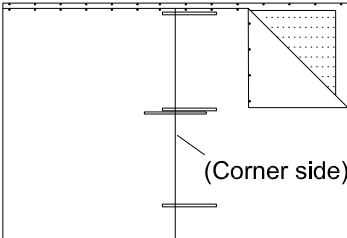
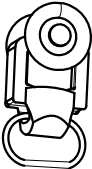
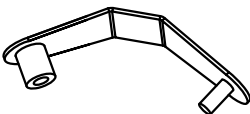
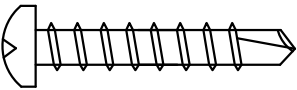
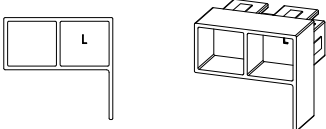
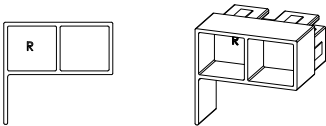


Manual for
Curtain+Mosquito Net Set
f/Pergola Gazebo San Pablo 3x3m

Manual Instruction



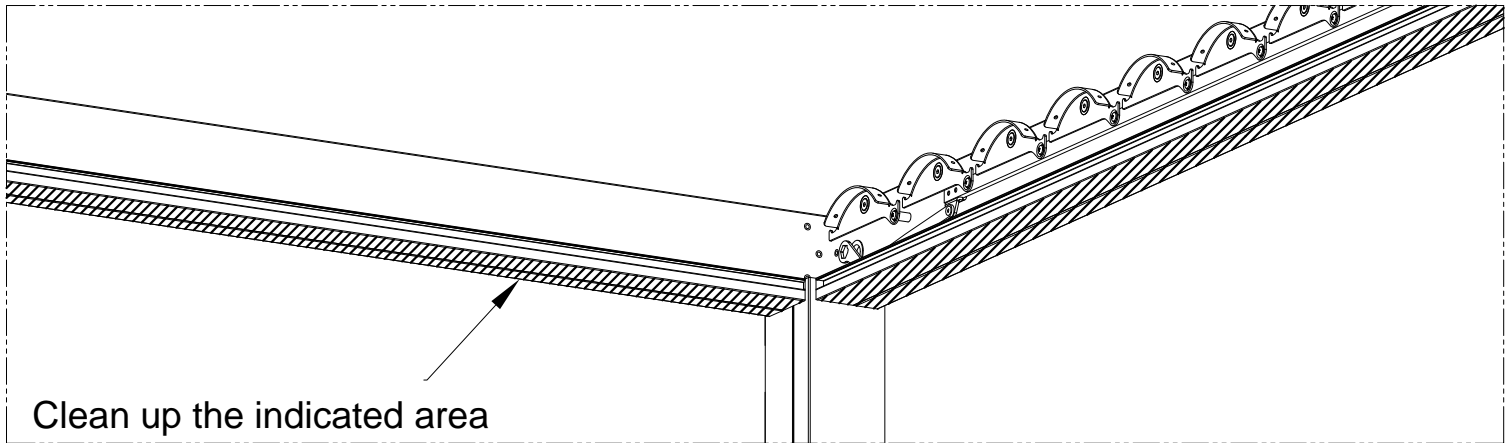
Parts list table

REF	NAME	PHOTO	QTY
A	3m directional track	 <p>L=1352mm</p>	8 PCS
B	3x3 grid cloth	 <p>(Corner side)</p>	4 PCS
E1	Rail fastening		96 PCS
E2	Apron snap		96 PCS
E3	Cross recessed pan head self-tapping and self-drilling screw	 <p>ST3.5x19</p>	16 PCS
E4	Track cover left		4 PCS
E5	Track cover right		4 PCS

Notes: Parts E4 and E5 are exclusively for the following pergola models and are not required for all other models: PA153400/PA153401/PA153410/PA153411 only!

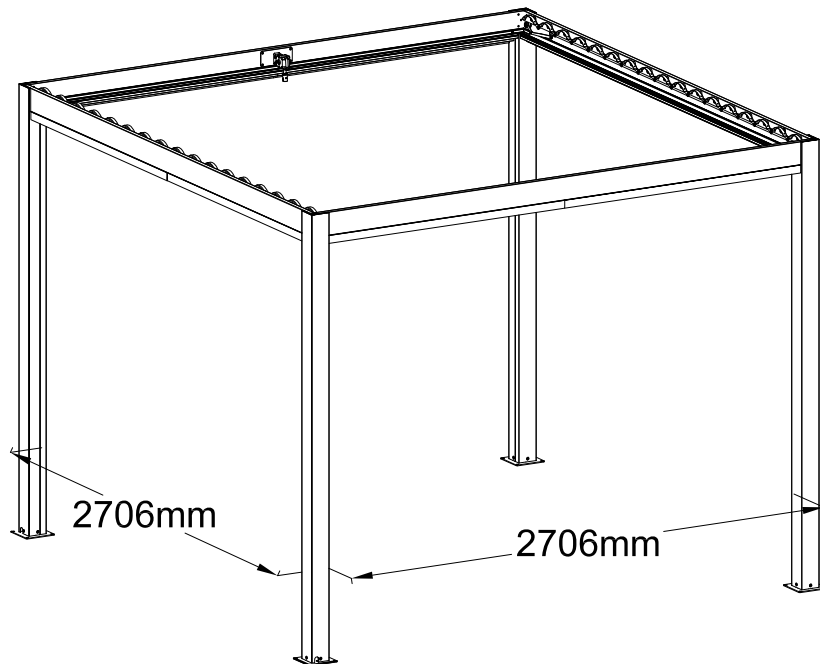
Track installation

Step 1: Clean the installation area of the crossbeam

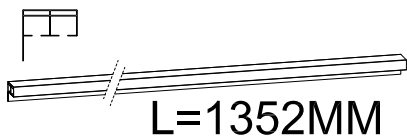


Step 2: Prepare the track. For specific dimensions, special components need to be installed

1) Scenario One

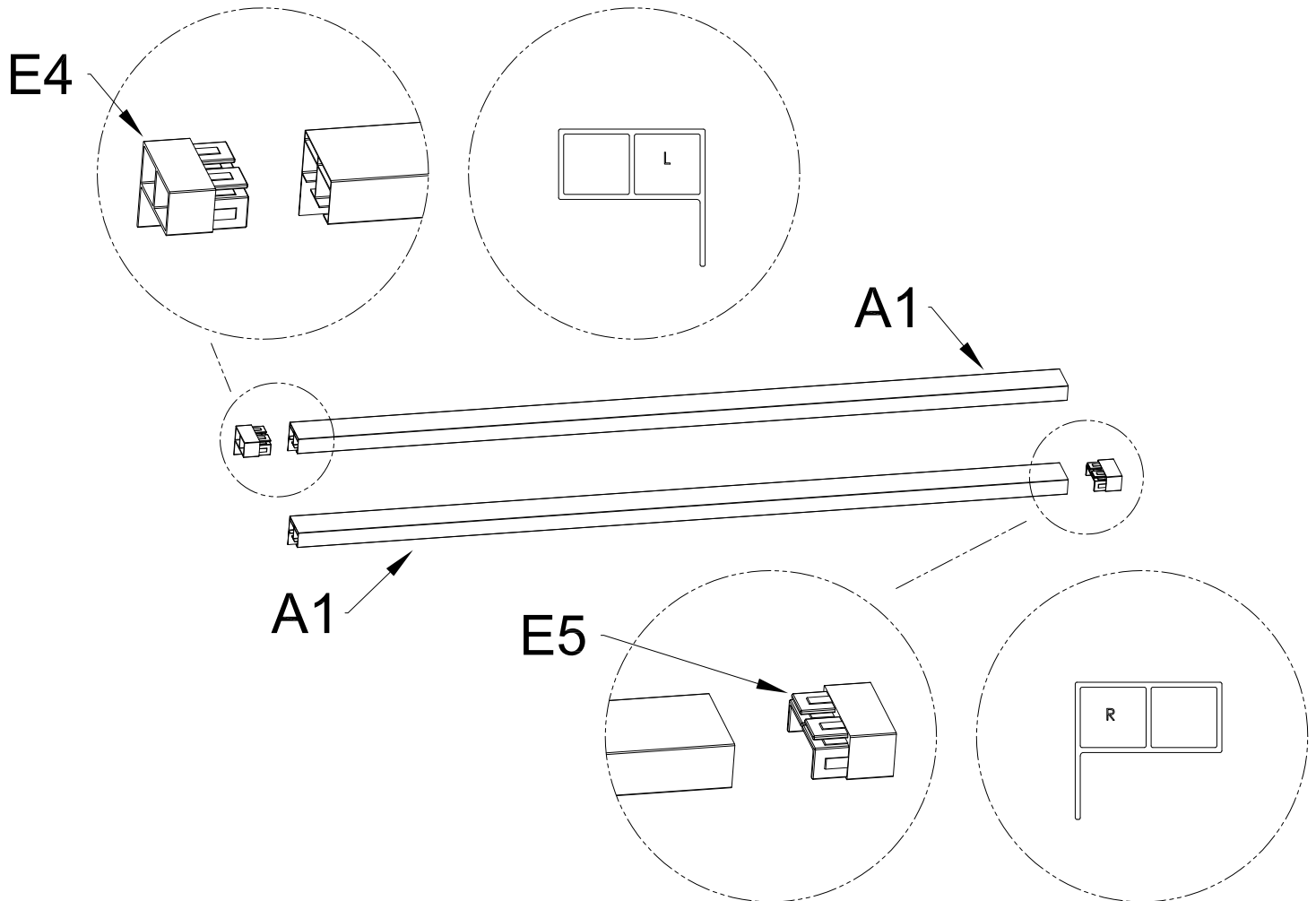
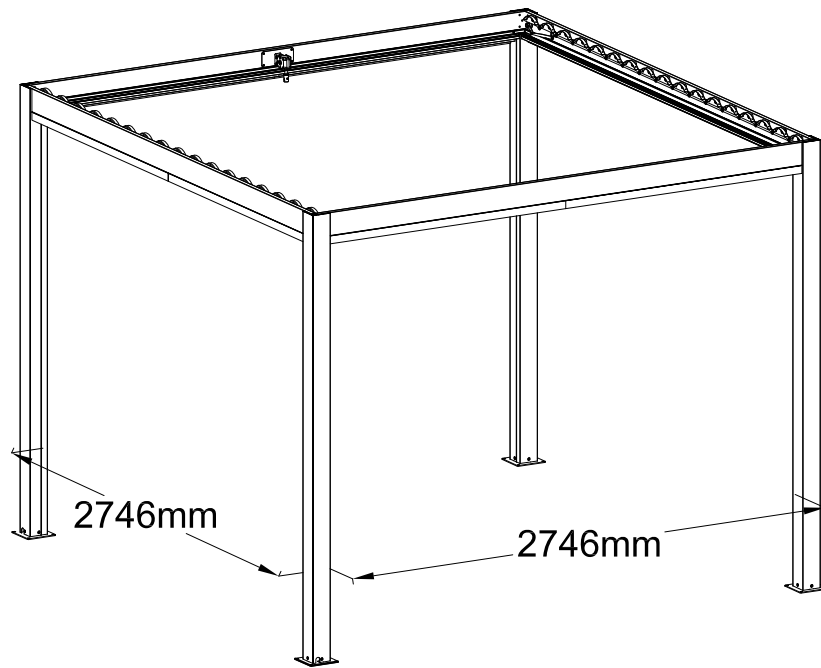


A1

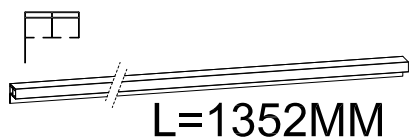


x8

2) Scenario Two

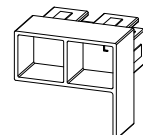
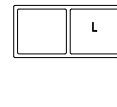


Notes: Parts E4 and E5 are exclusively for the following pergola models and are not required for all other models: PA153400/PA153401/PA153410/PA153411 only!



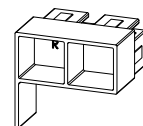
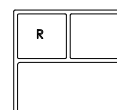
x8

E4



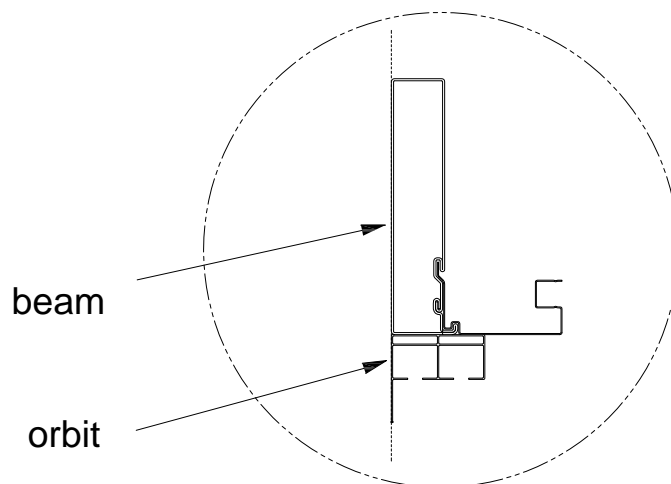
x4

E5

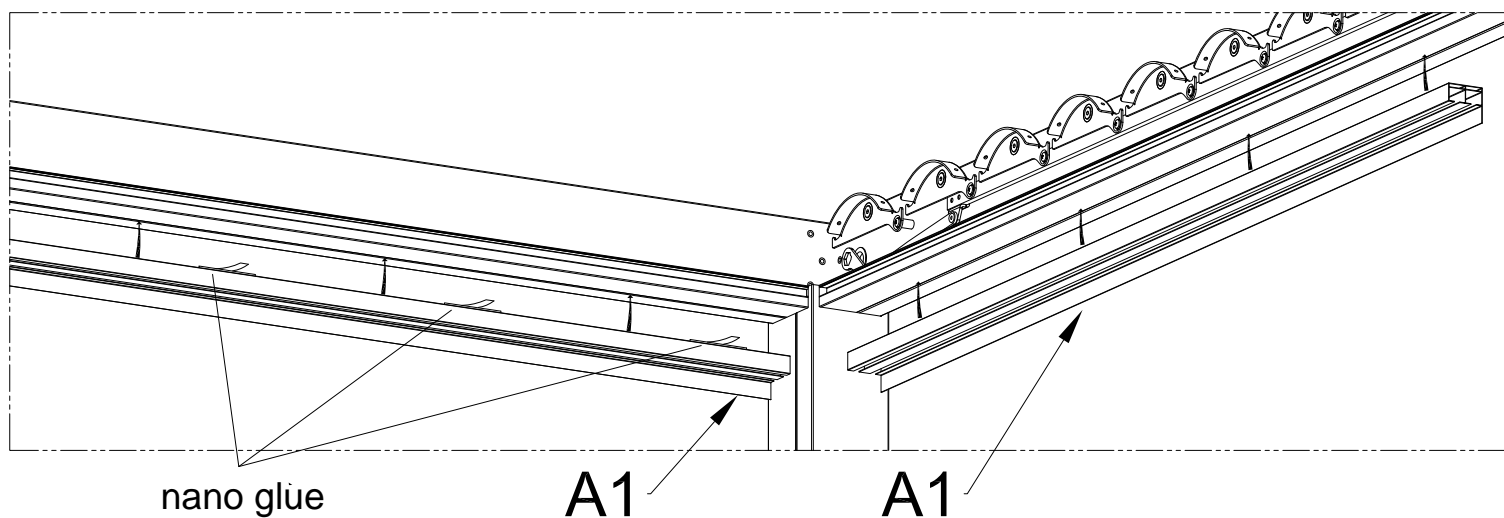


x4

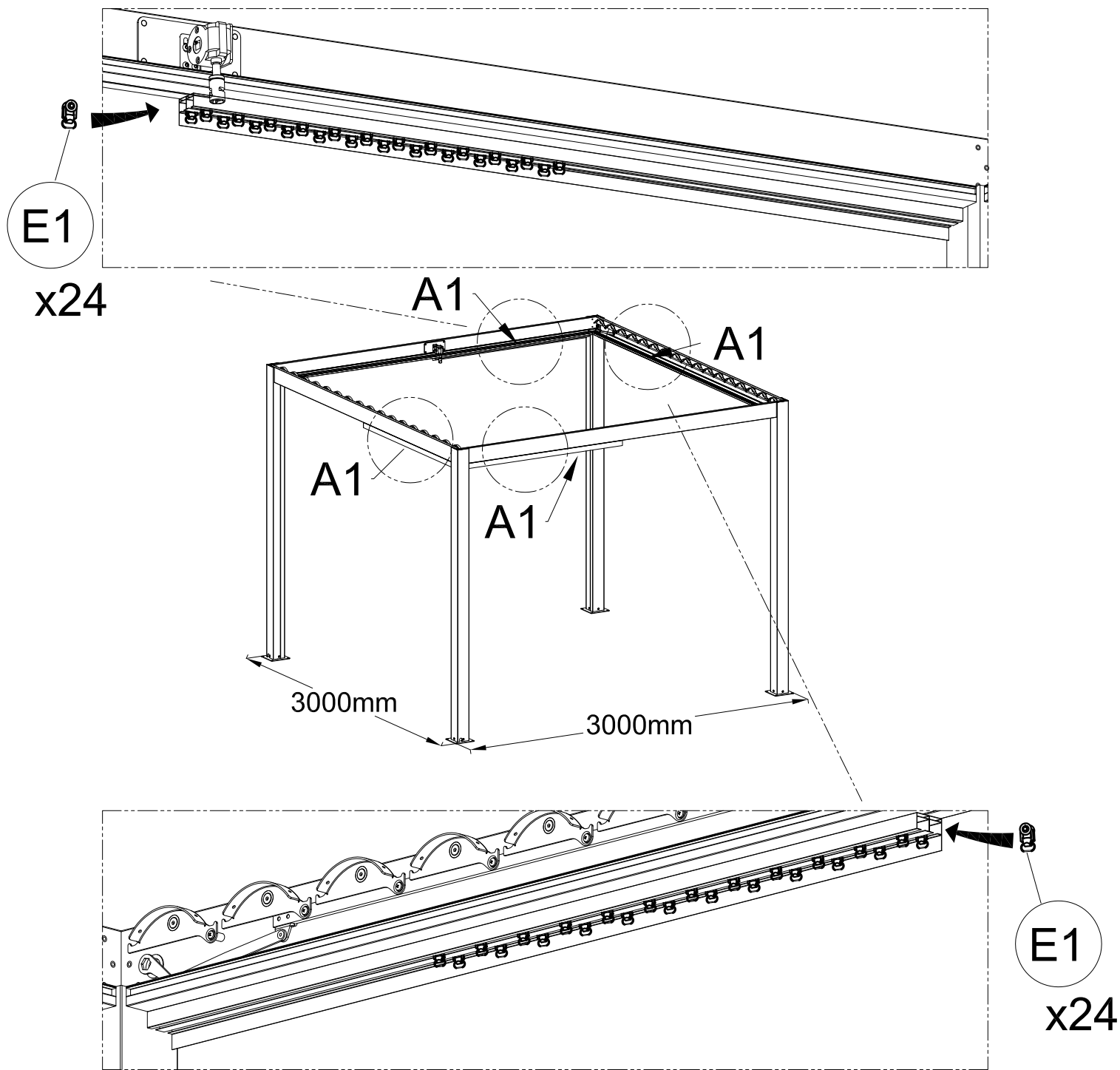
Step 3: During installation, the crossbeam should be flush with the track



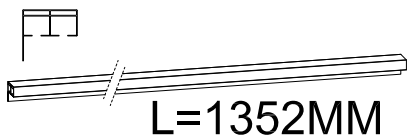
Step 4: Peel off the nano adhesive on the back of the track and stick it under the beam



Step 5: During installation, install half of the track first, and slide all track fasteners into the chute



A1



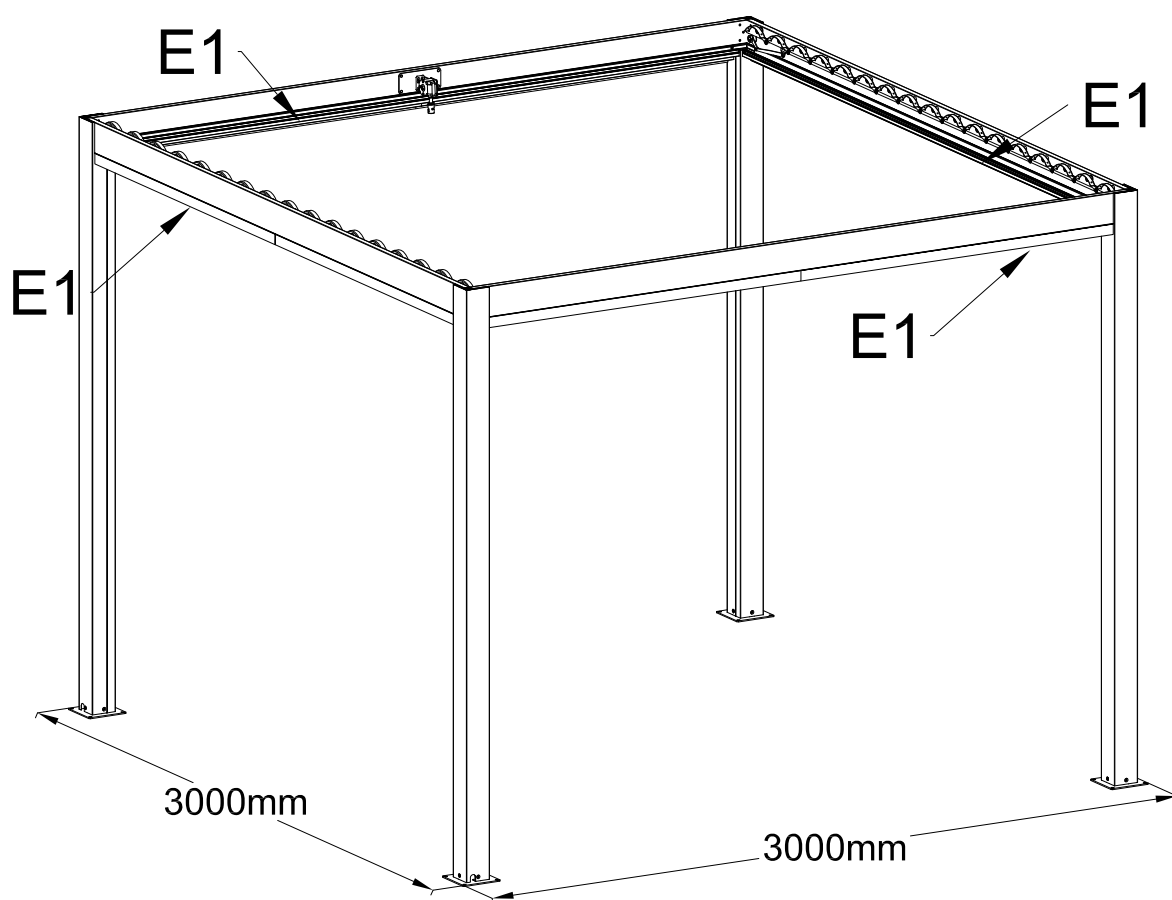
x4

E1

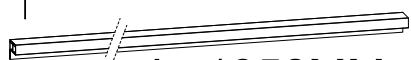
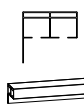


x96

Step 6: Install the other four tracks



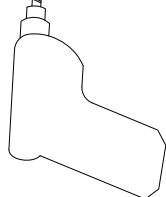
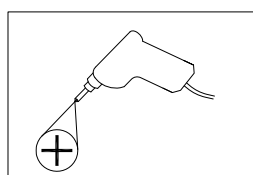
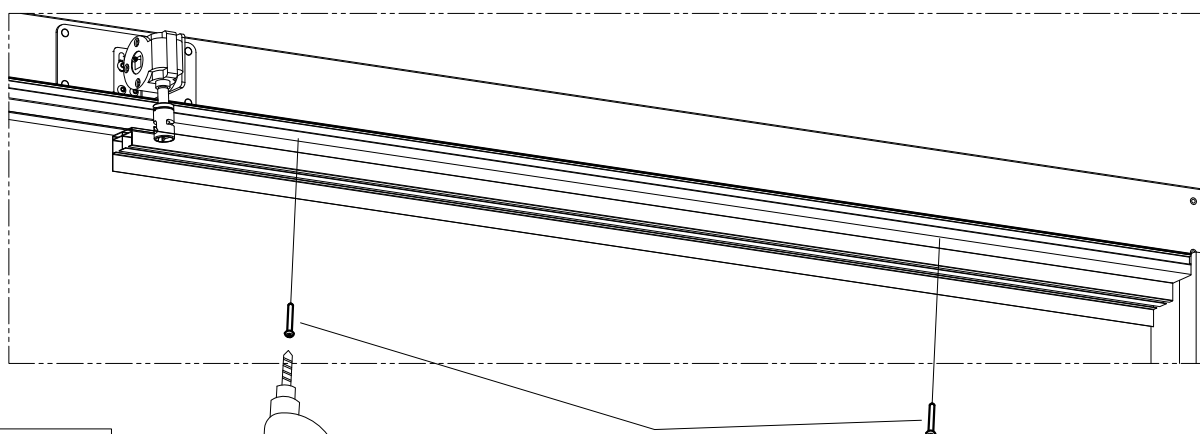
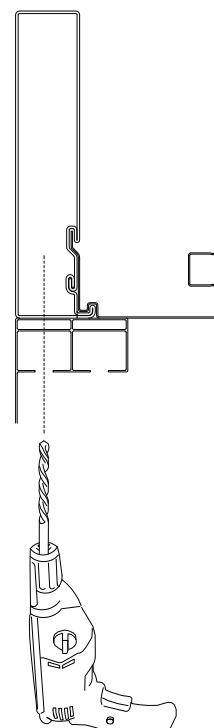
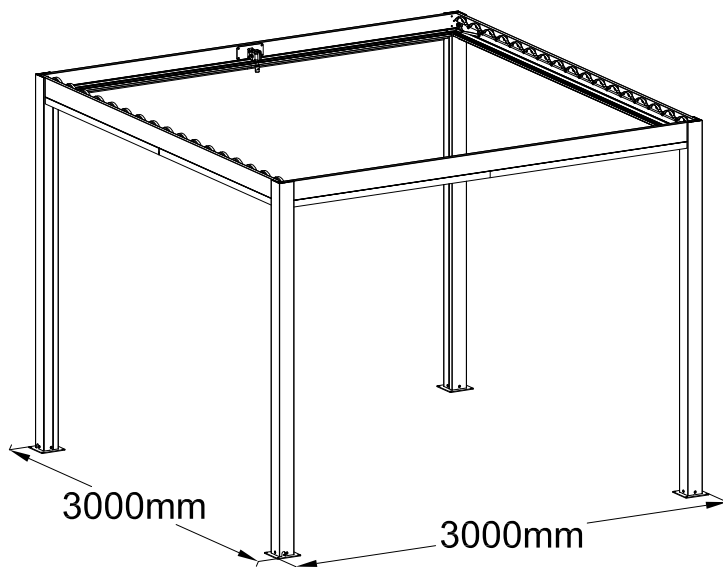
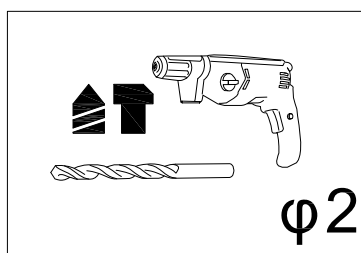
A1



L=1352MM

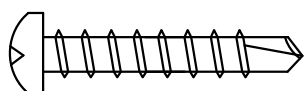
x4

Step 7: Pre-drill with a #2 drill bit, and then proceed with fixation



E3

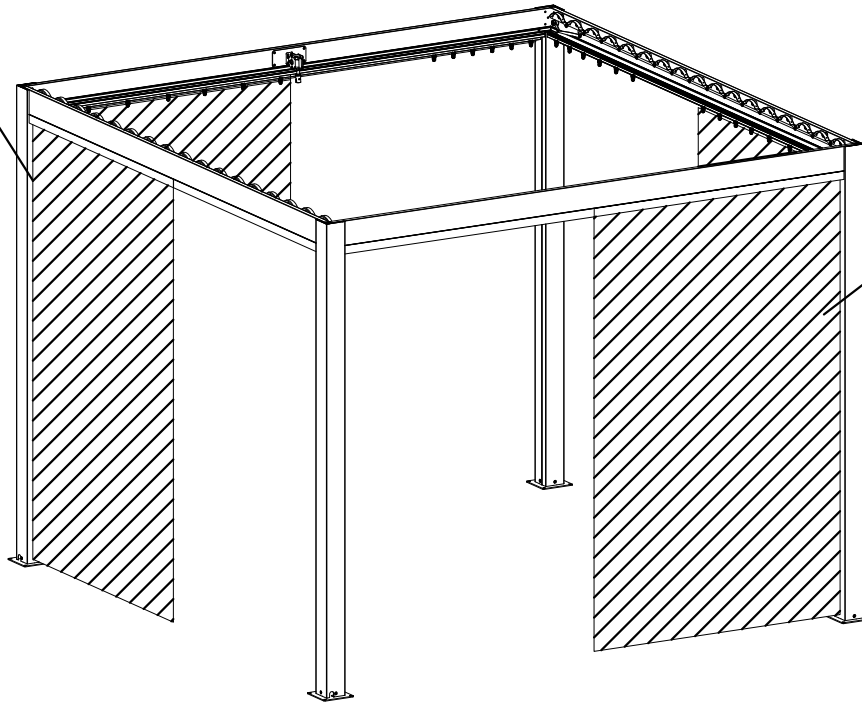
E3



st3.5x19

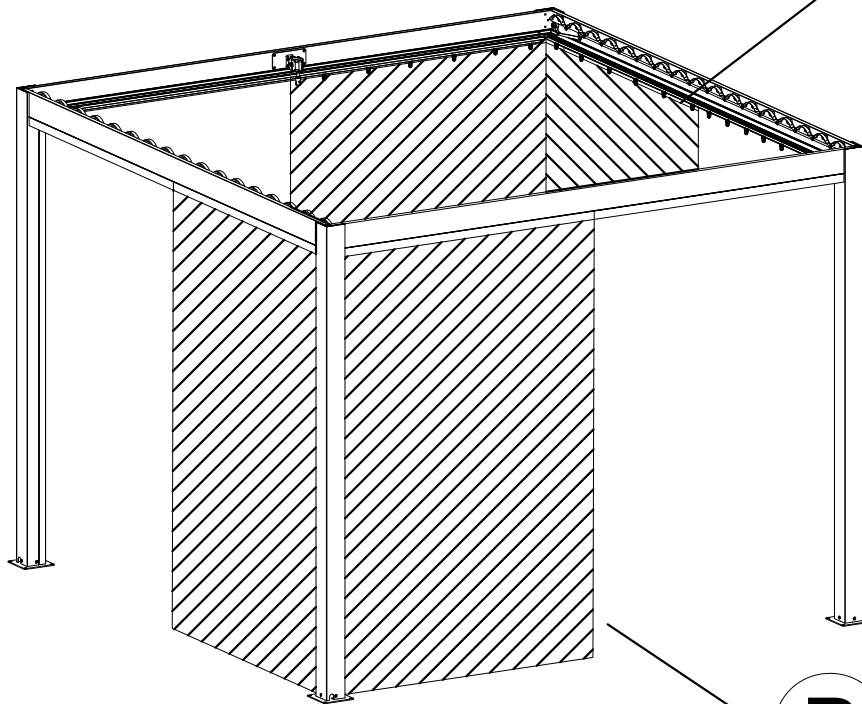
x16

B



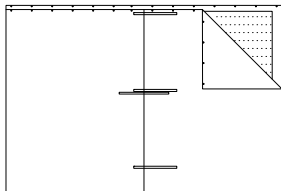
B

B



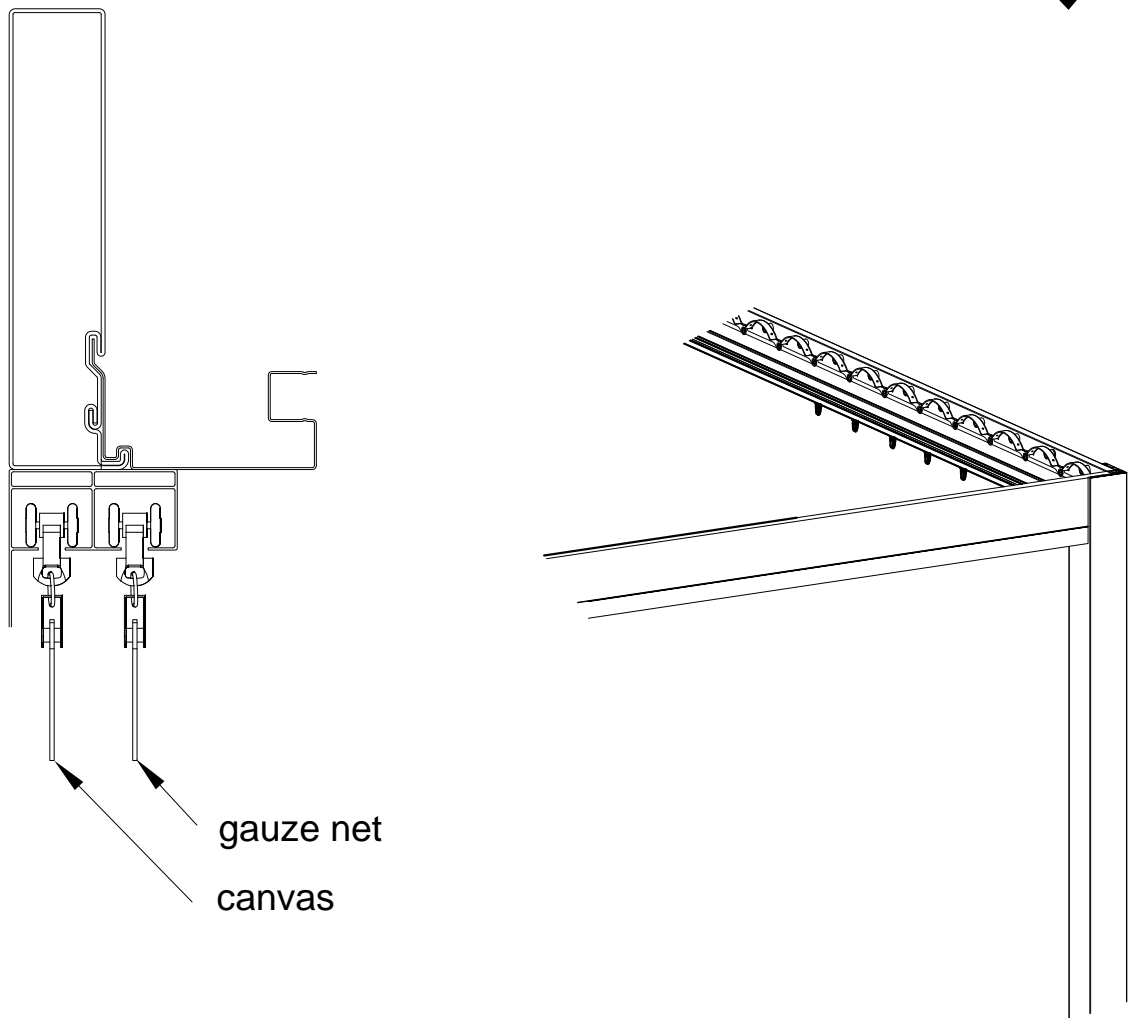
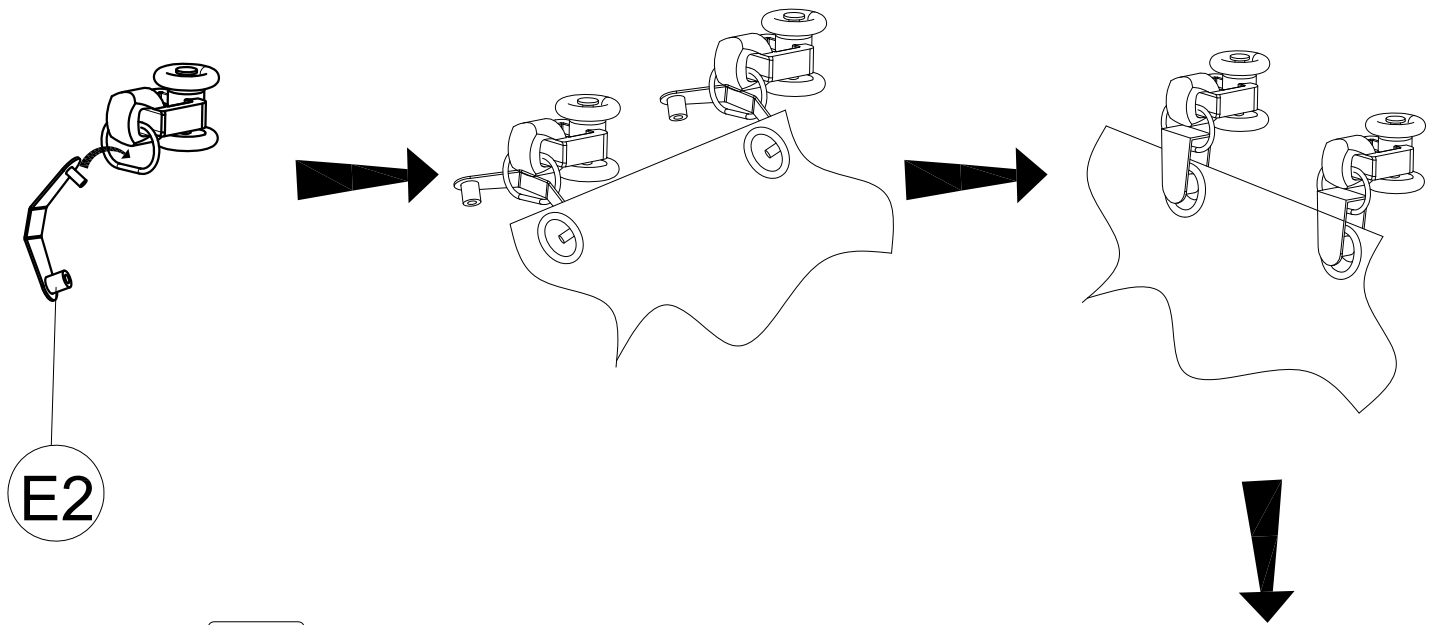
B

B

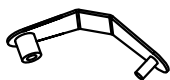


x4

Step 8: Install the enclosure

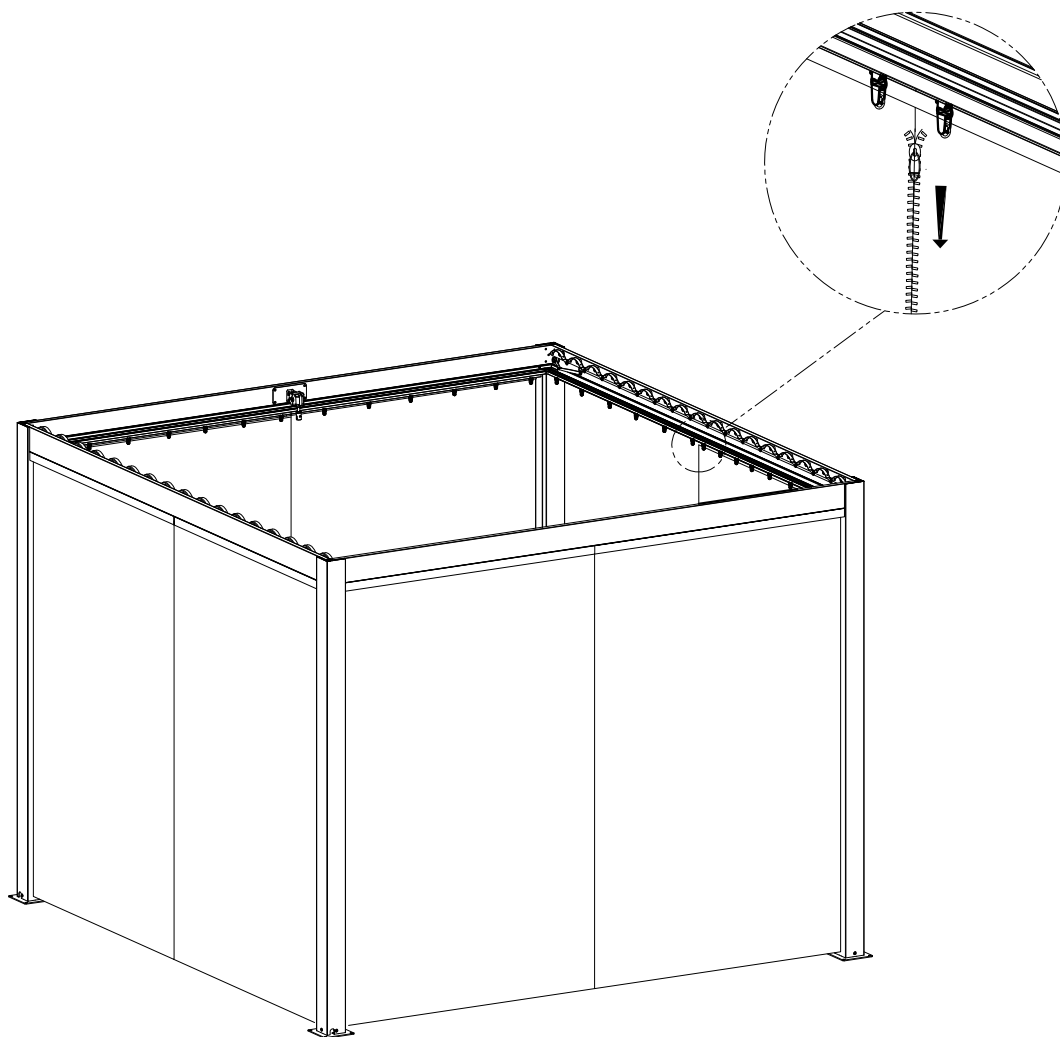


E2

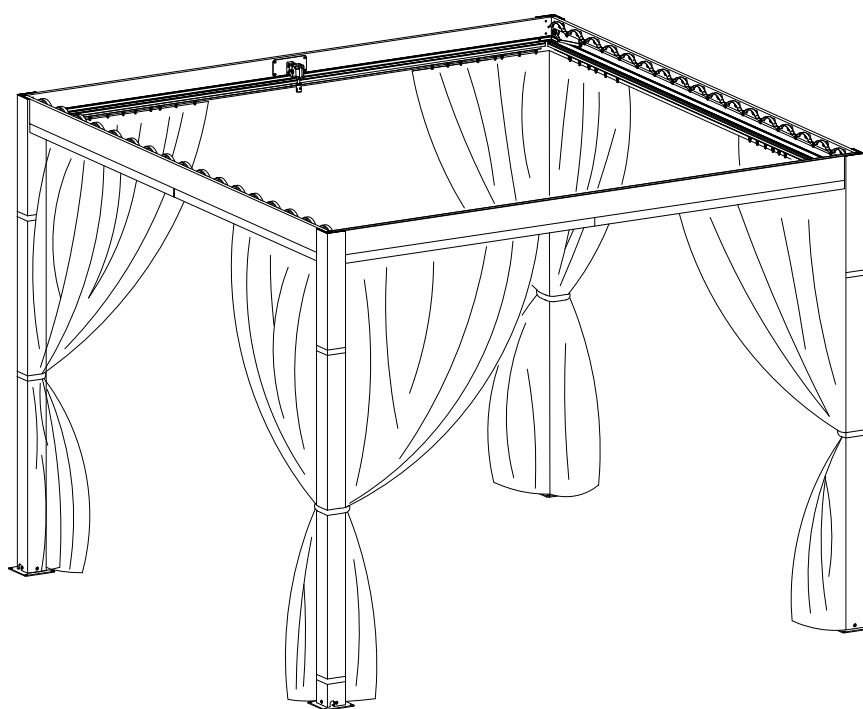


x96

CLOSE



OPEN



Contact information

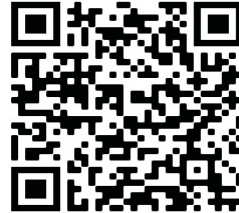
Austria



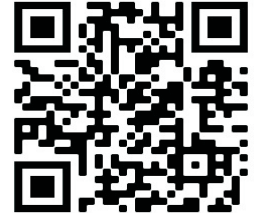
Belgium



Croatia



Denmark



Estonia



Finland



France



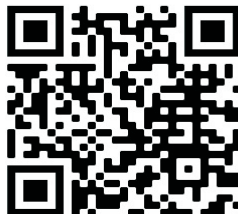
Germany



Ireland



Italy



Latvia



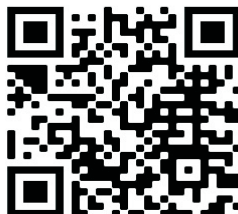
Lithuania



Nederland



Norway



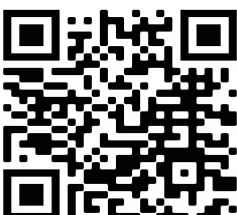
Poland



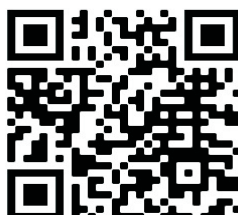
Portugal



Spain



Sweden



Switzerland



UK

