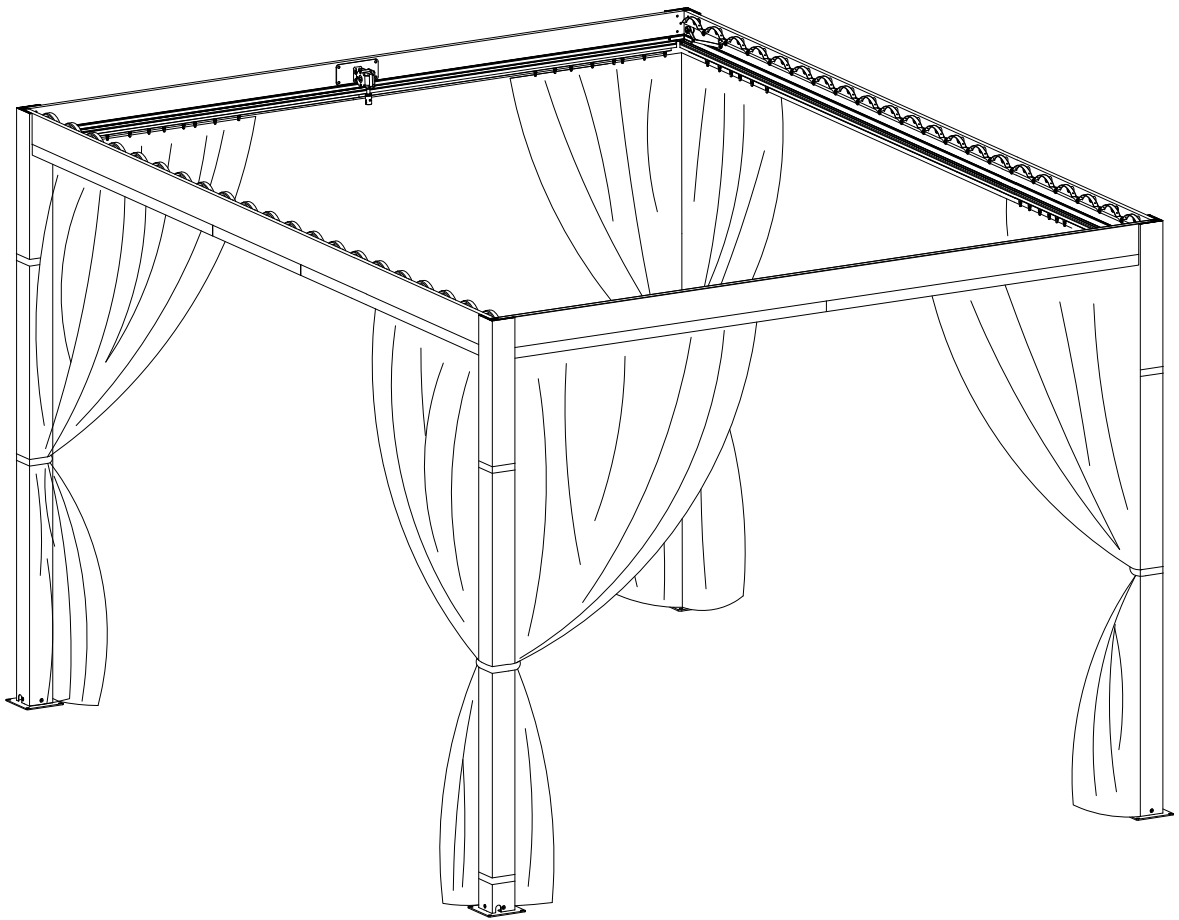


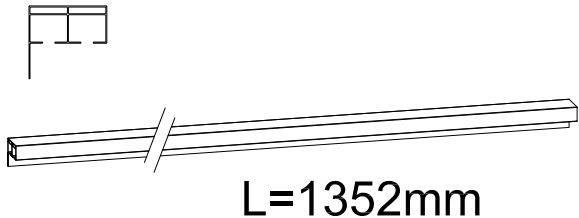
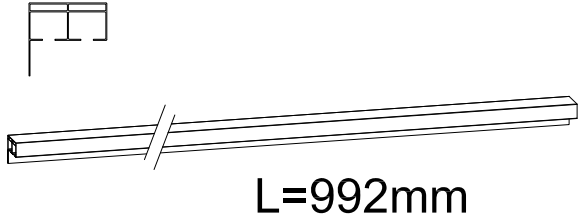
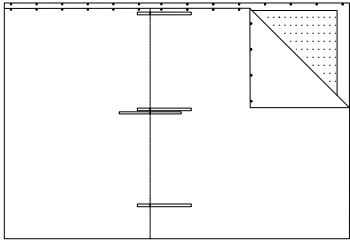
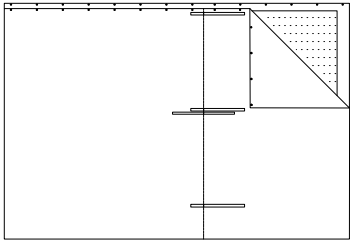
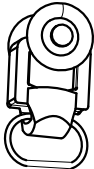
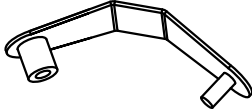
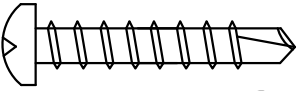
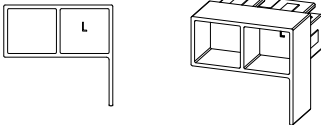
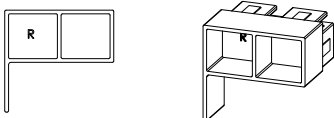
**DANCOVER<sup>®</sup>**



Manual for  
Curtain+Mosquito Net Set  
f/Pergola Gazebo San Pablo 3x4m

# Manual Instruction

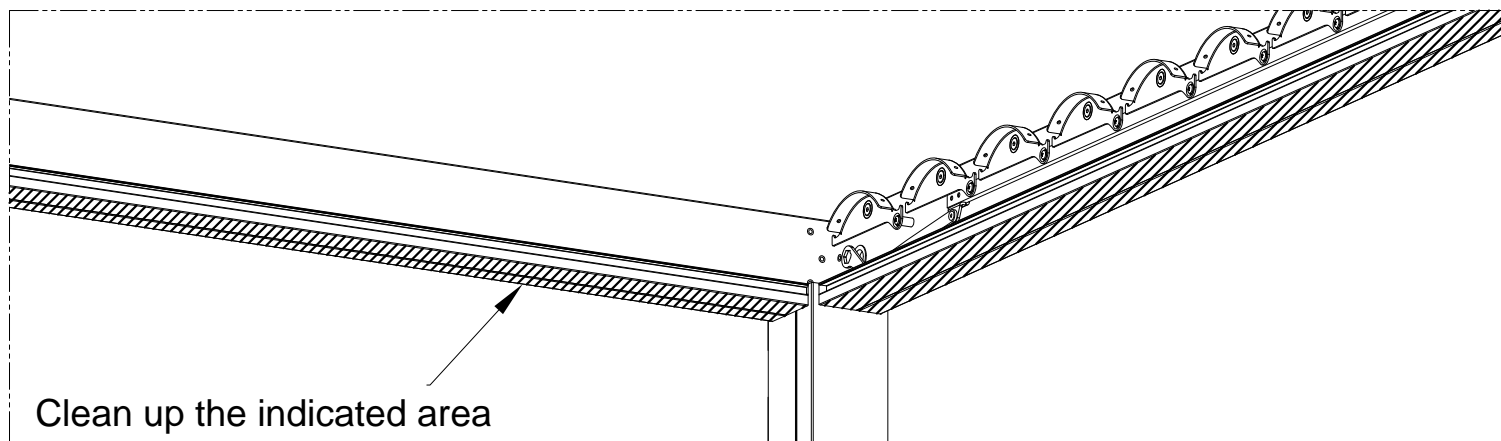


REF	NAME	PHOTO	QTY
A1	Track 1	 <p>L=1352mm</p>	8 PCS
A2	Track 2	 <p>L=992mm</p>	2 PCS
B1	3x4 grid cloth A		2 PCS
B2	3x4 grid cloth B		2 PCS
E1	Rail fastening		112 PCS
E2	Apron snap		112 PCS
E3	Cross recessed pan head self-tapping and self-drilling screw	 <p>ST3.5x19</p>	20 PCS
E4	Track cover left		4 PCS
E5	Track cover right		4 PCS

Notes: Parts E4 and E5 are exclusively for the following pergola models and are not required for all other models: PA153400/PA153401/PA153410/PA153411 only!

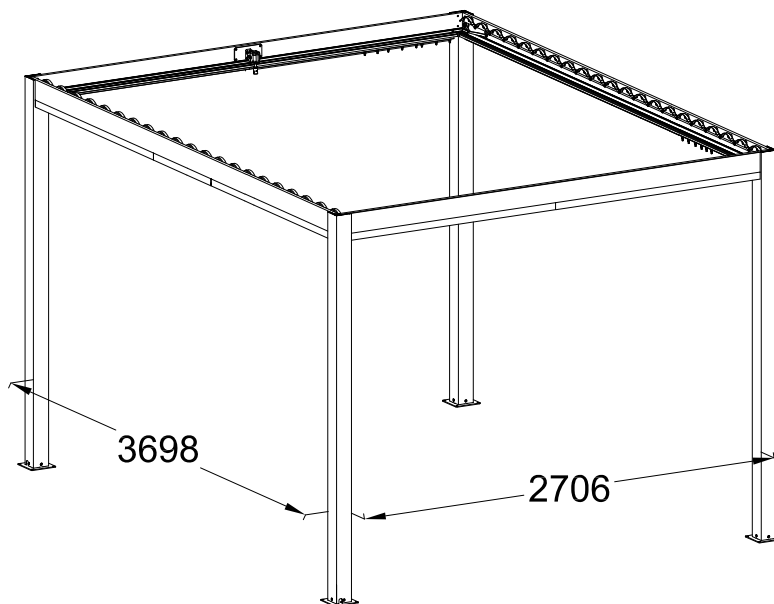
# Track installation

Step 1: Clean the installation area of the crossbeam

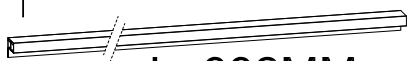
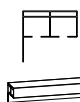


Step 2: Prepare the track. For specific dimensions, special components need to be installed

1) Scenario One



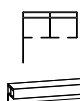
**A2**



L=992MM

x2

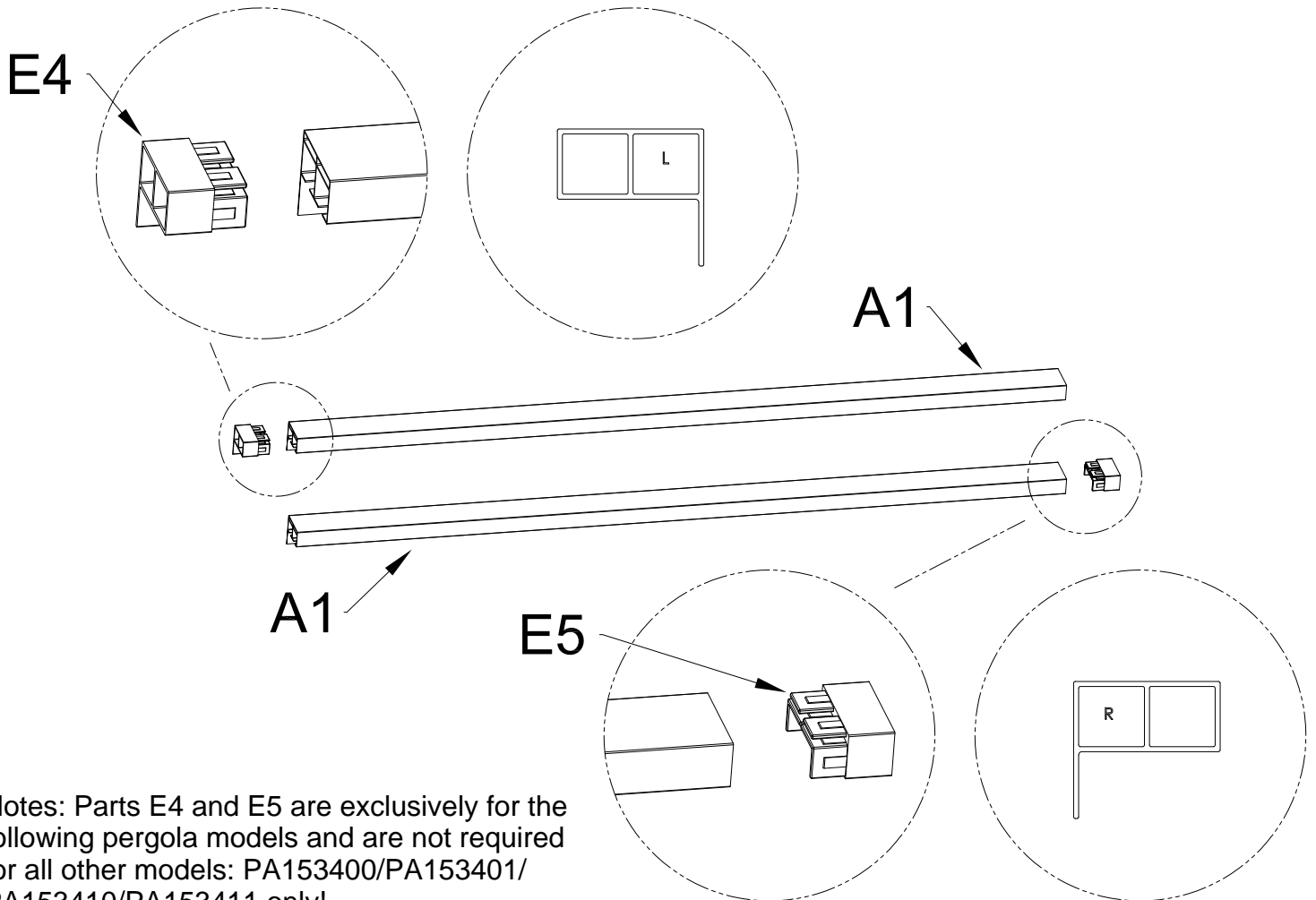
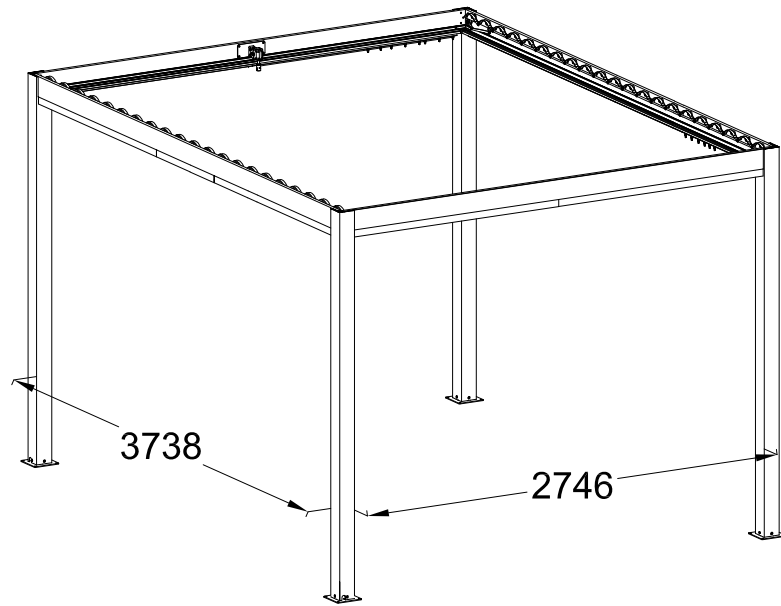
**A1**



L=1352MM

x8

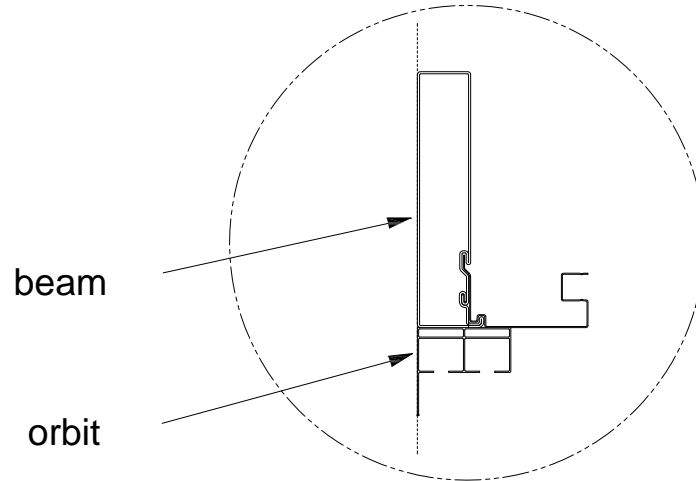
## 2) Scenario Two



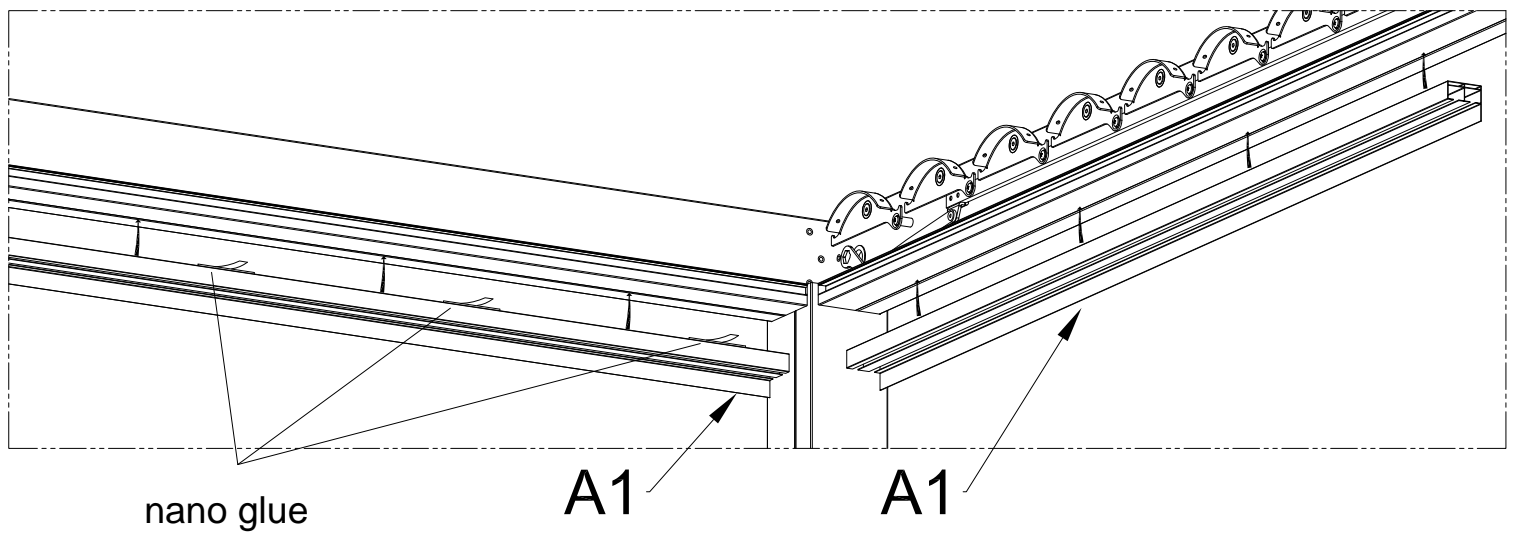
Notes: Parts E4 and E5 are exclusively for the following pergola models and are not required for all other models: PA153400/PA153401/PA153410/PA153411 only!

<b>A2</b>	<p>L=992MM</p>	x2	<b>E4</b>		x4
<b>A1</b>	<p>L=1352MM</p>	x8	<b>E5</b>		x4

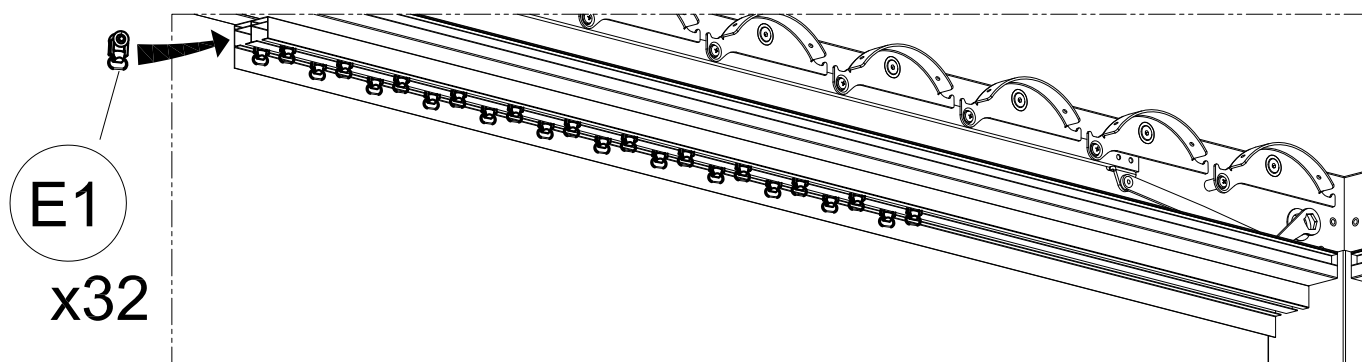
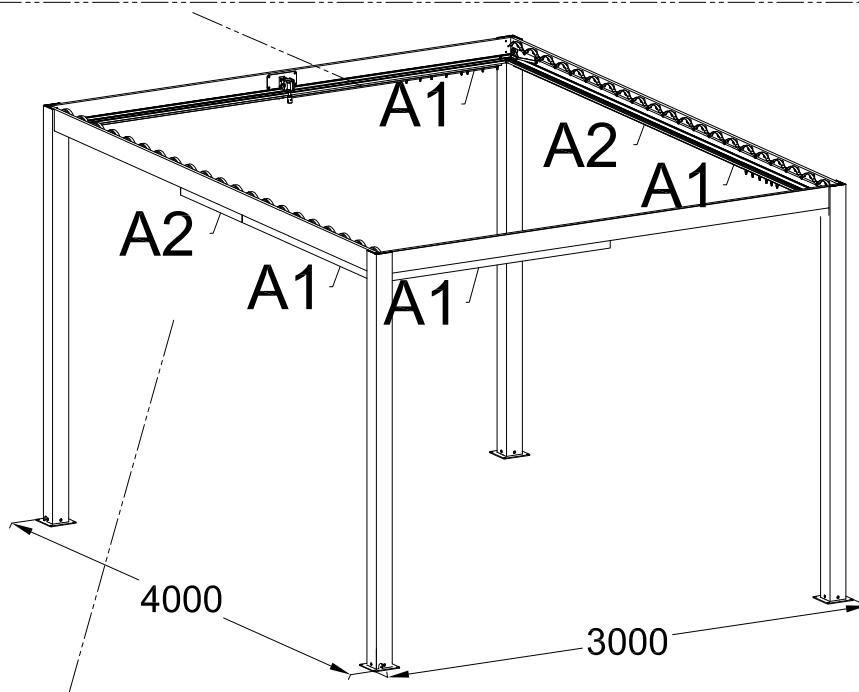
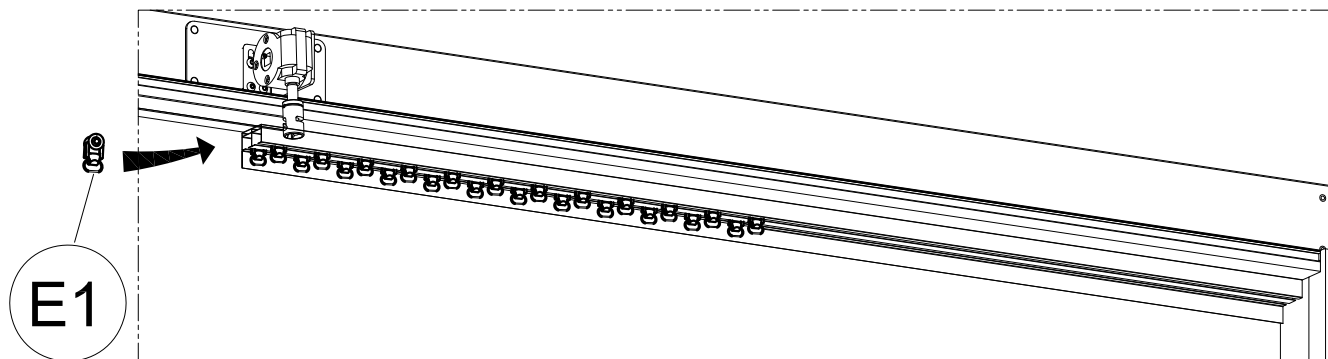
Step 3: During installation, the crossbeam should be flush with the track





Step 4: Peel off the nano adhesive on the back of the track and stick it under the beam



Step 5: During installation, install half of the track first, and slide all track fasteners into the chute



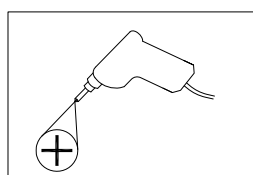
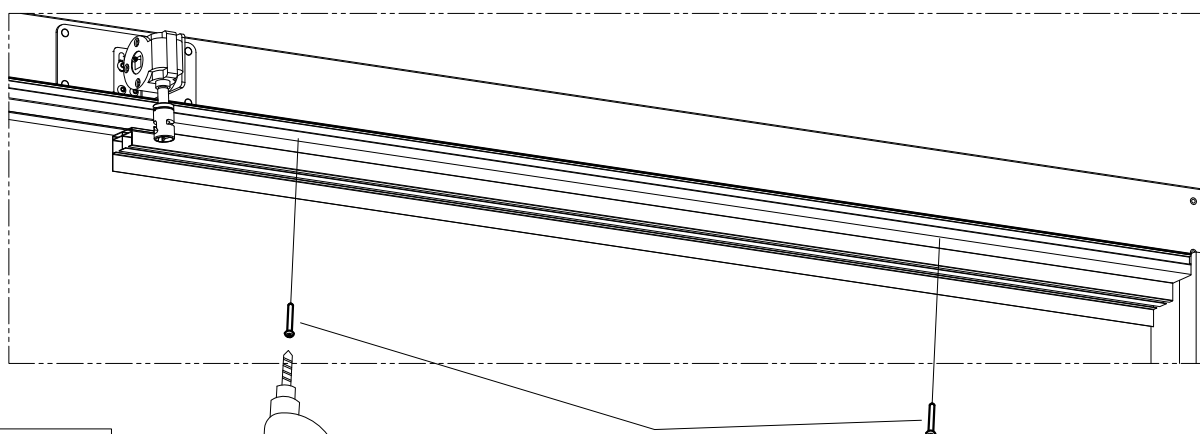
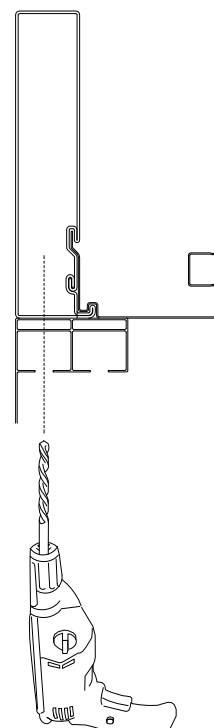
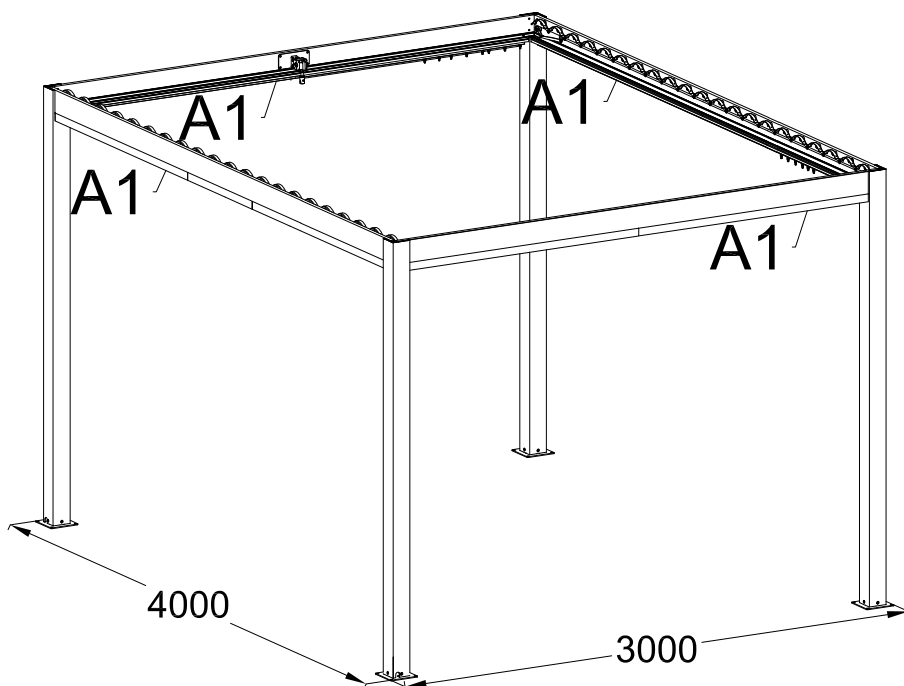
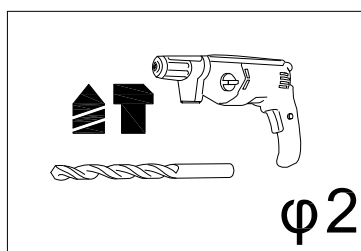
A2	 L=992MM	x2
----	--	----

A1	 L=1352MM	x4
----	---	----

E1		x112
----	---	------

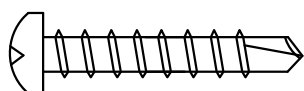


Step 7: Pre-drill with a #2 drill bit, and then proceed with fixation



E3

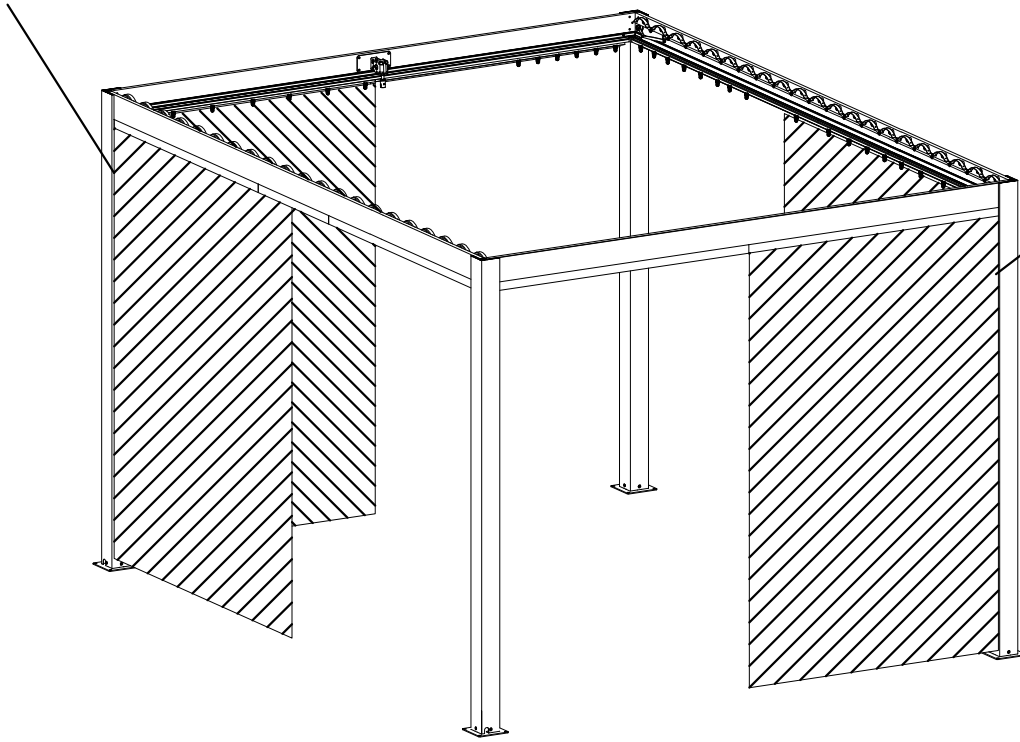
E3



st3.5x19

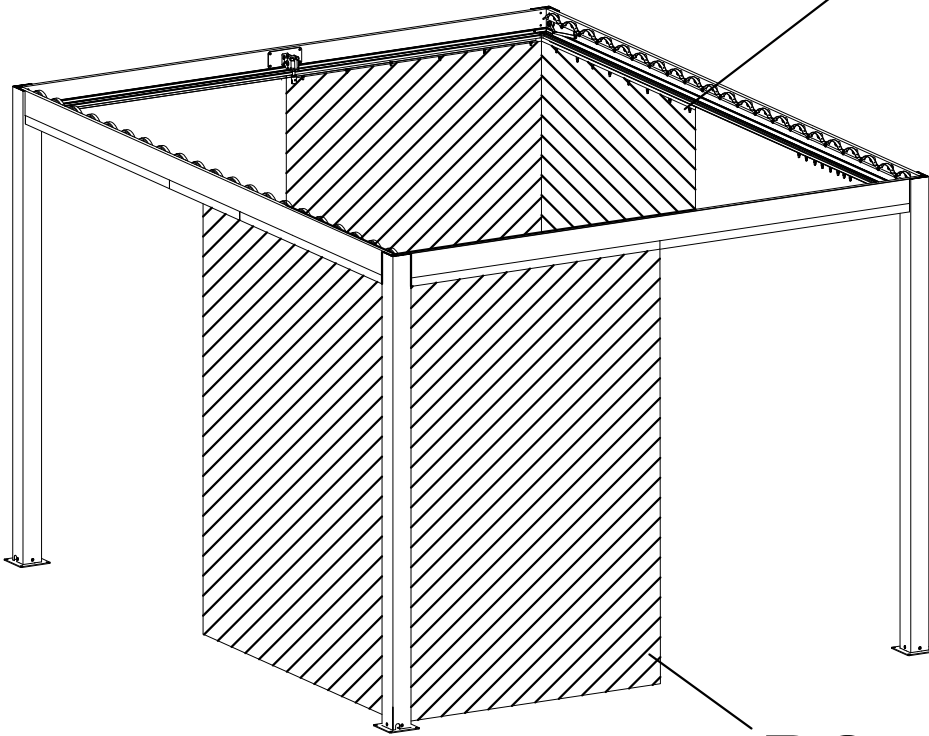
x20

**B1**



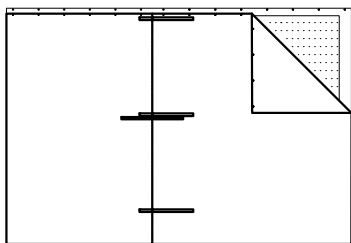
**B1**

**B2**



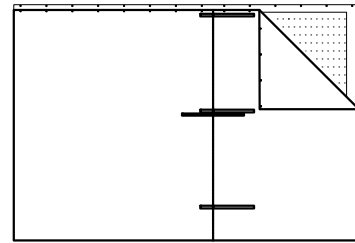
**B2**

**B1**



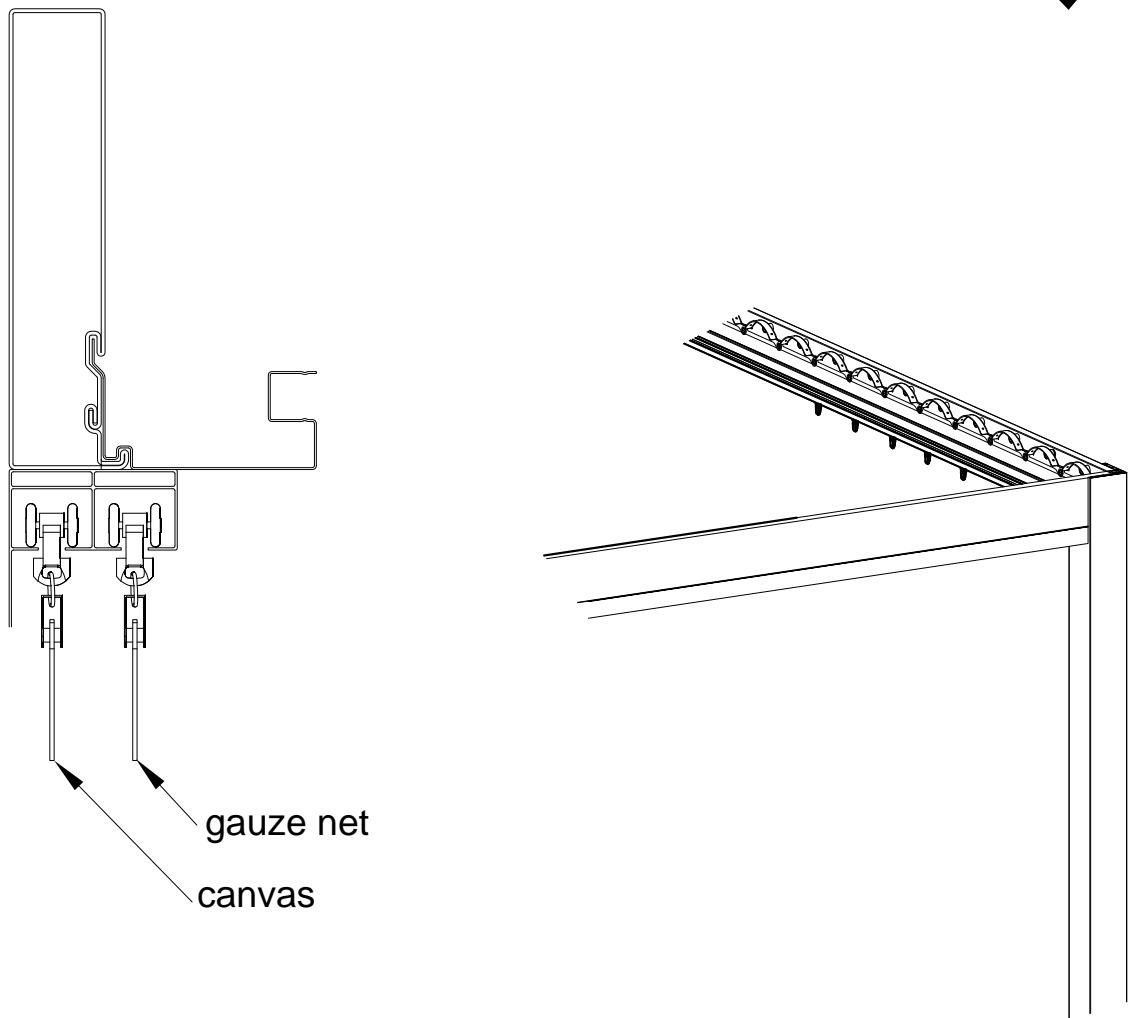
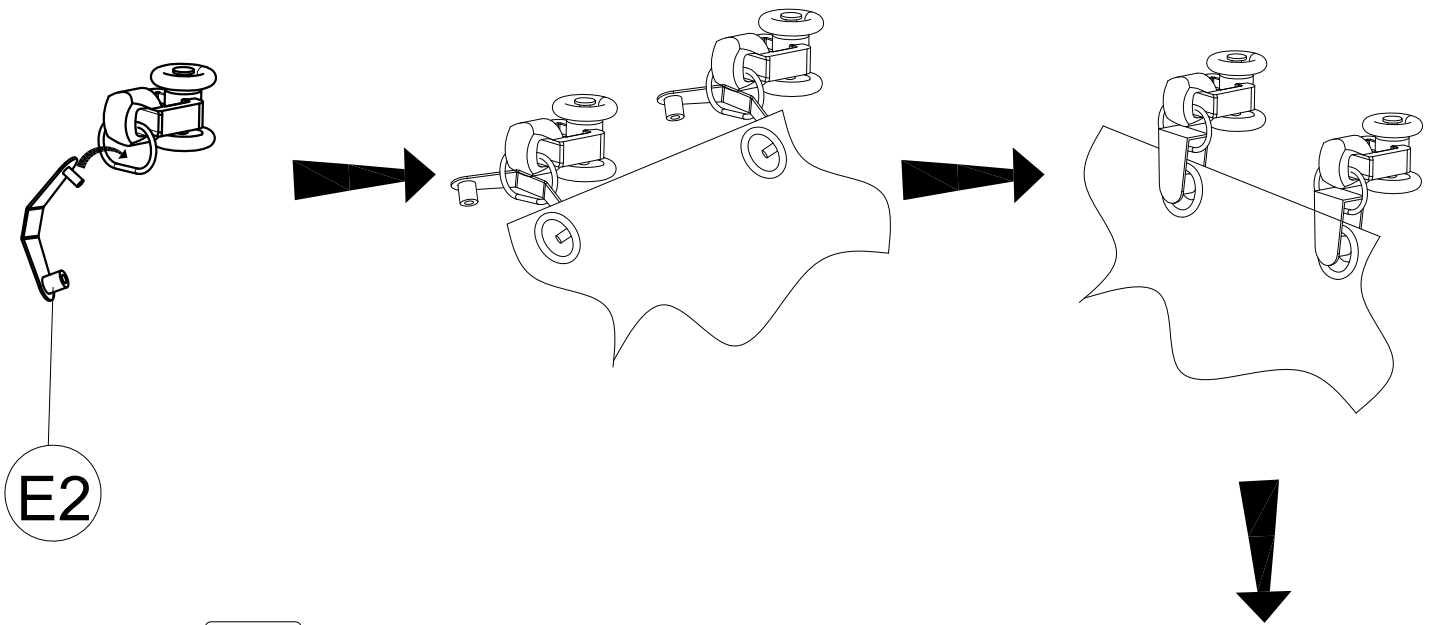
x2

**B2**

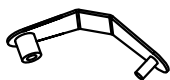


x2

# Step 8: Install the enclosure

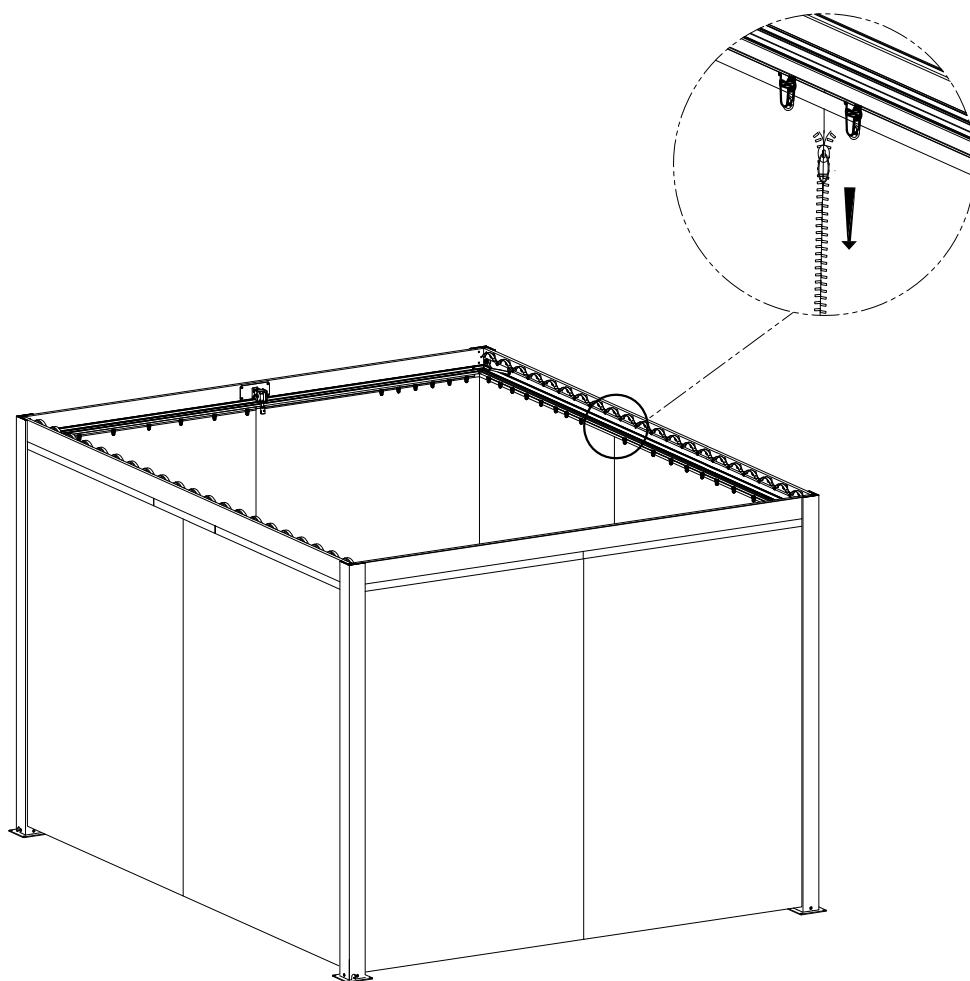


E2

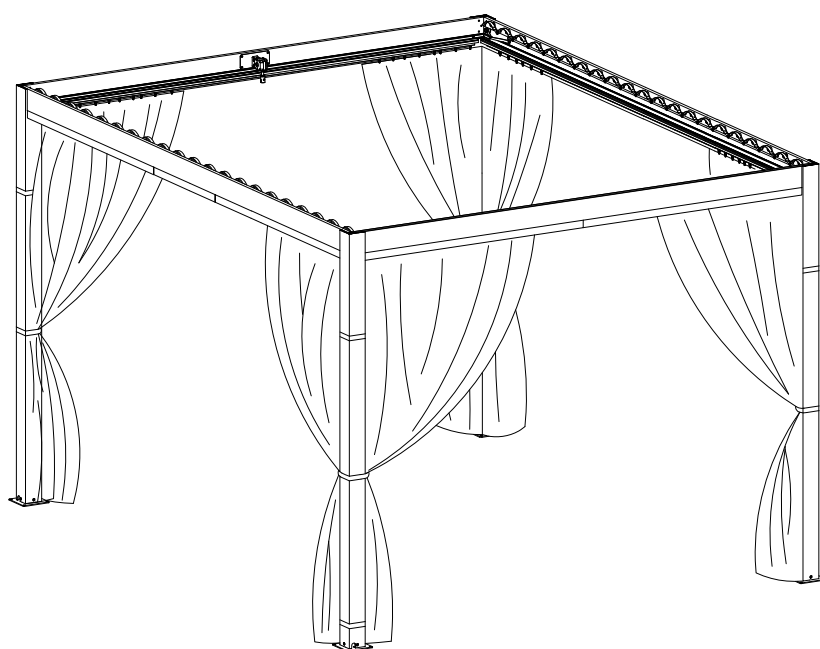


x112

CLOSE



OPEN



## Contact information

Austria



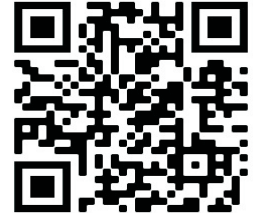
Belgium



Croatia



Denmark



Estonia



Finland



France



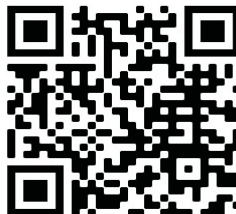
Germany



Ireland



Italy



Latvia



Lithuania



Nederland



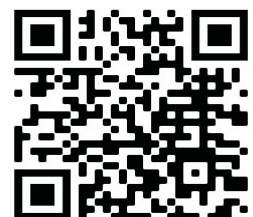
Norway



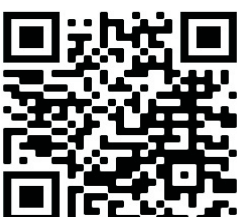
Poland



Portugal



Spain



Sweden



Switzerland



UK

