

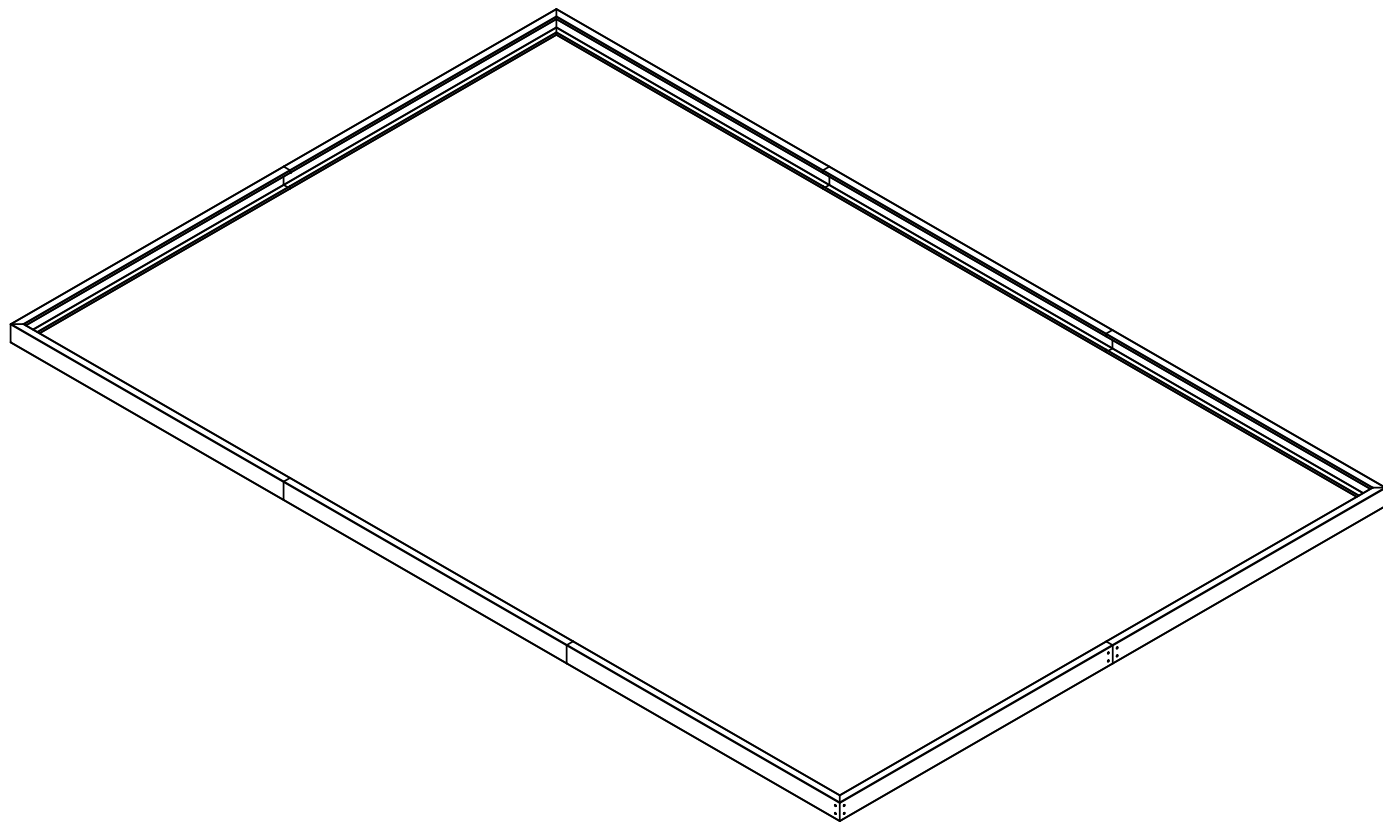
DANCOVER[®]



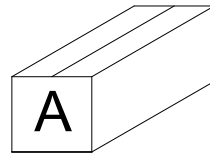
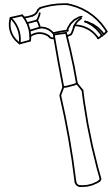
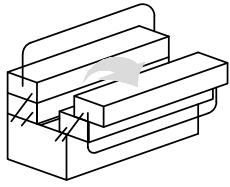
Manual
for
Base for Greenhouse
2,38x3,62x0,07m

ASSEMBLY INSTRUCTIONS

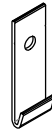
Base



3620x2380x70mm

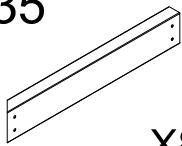


A34



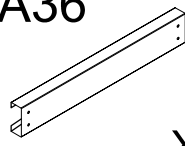
X14

A35



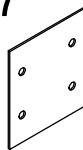
X8

A36



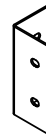
X2

A37



X6

A38



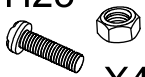
X4

A39



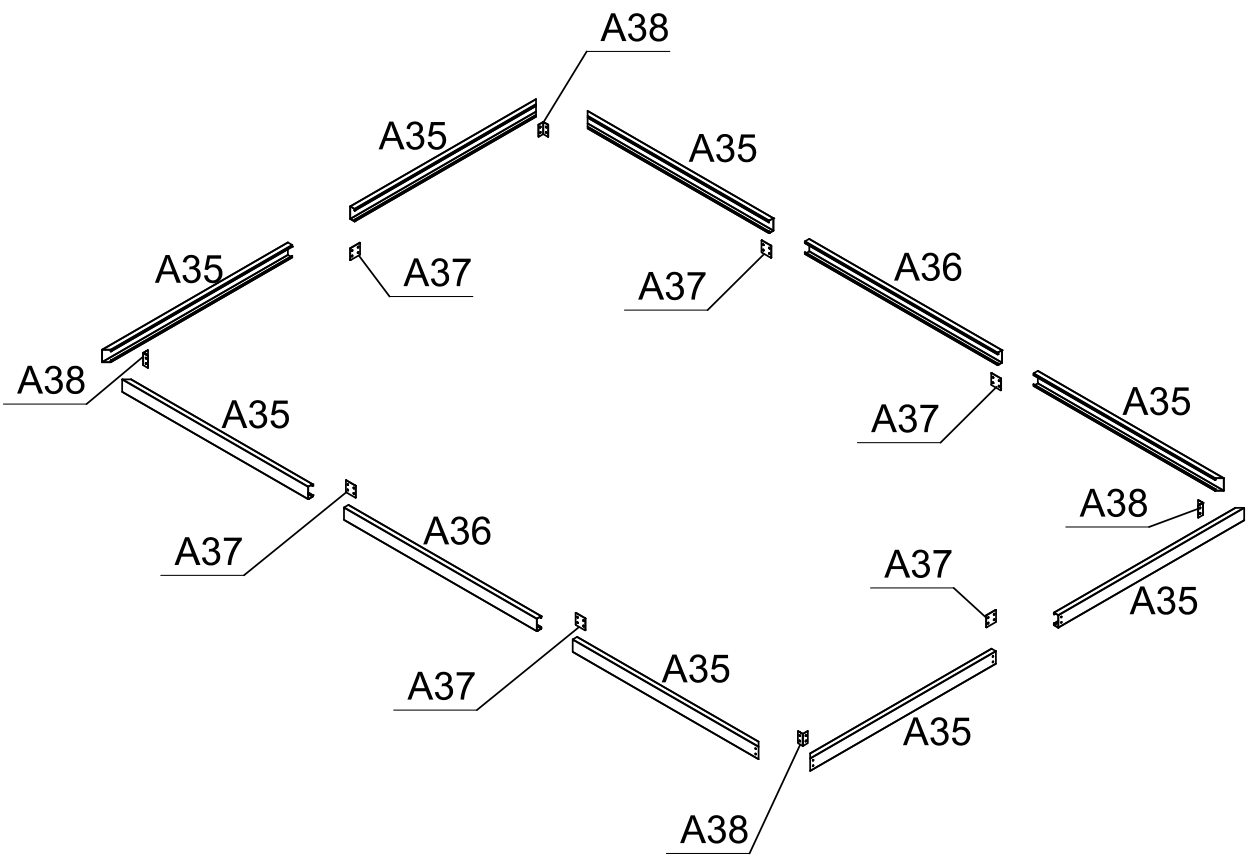
X6

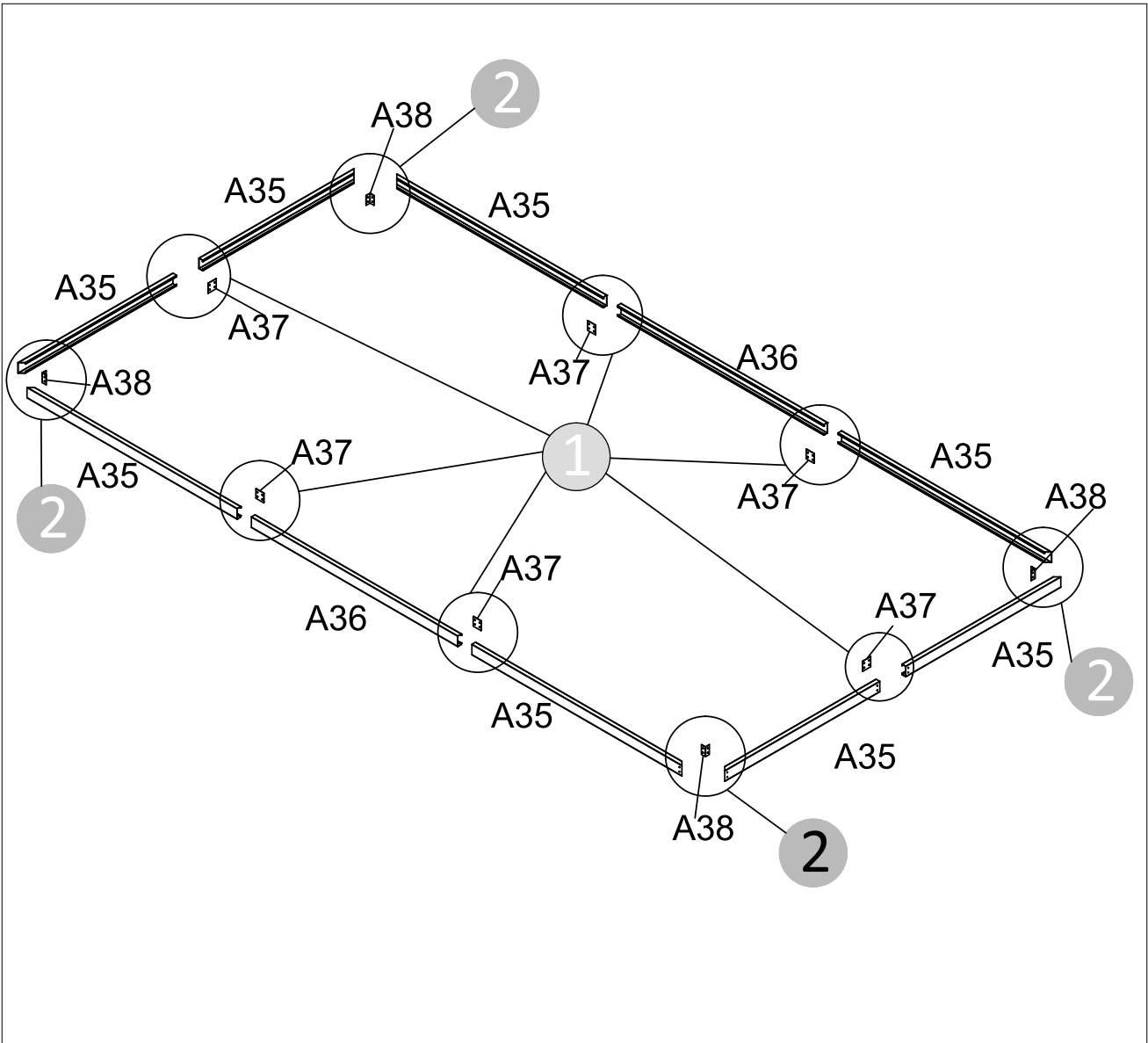
H23

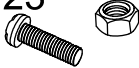


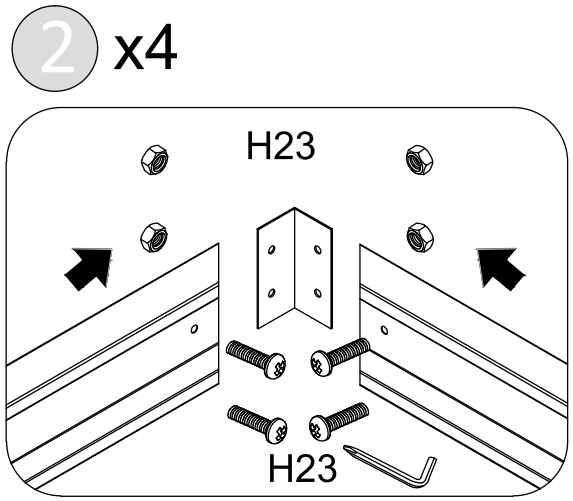
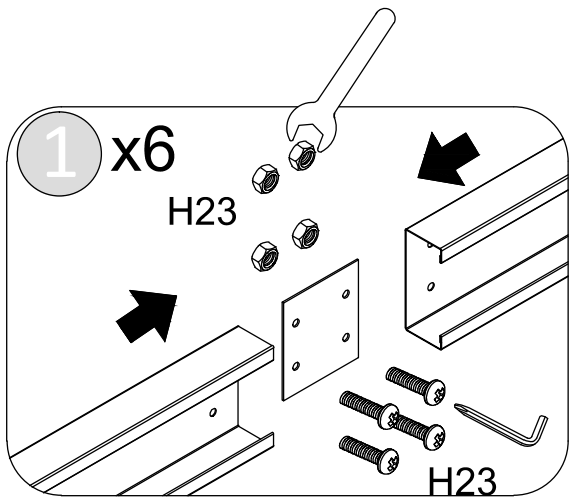
X40

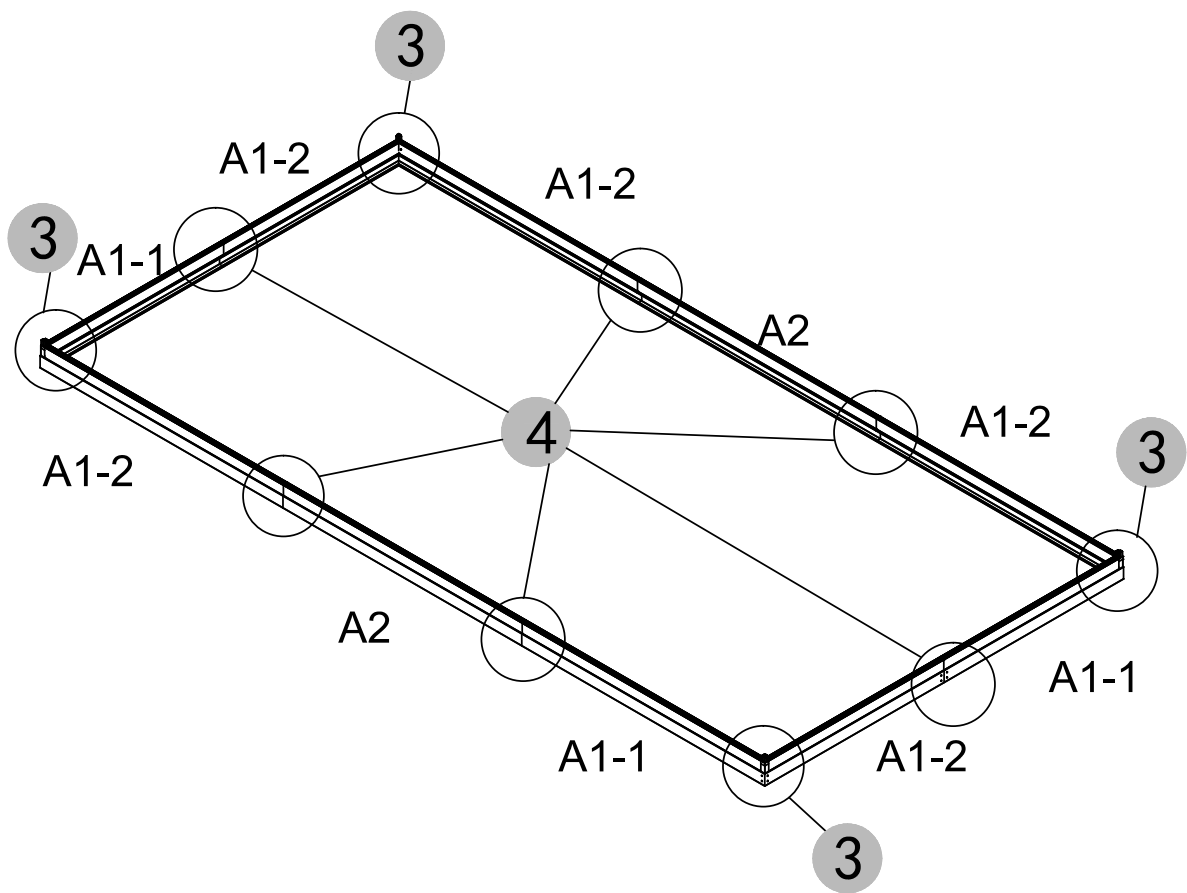
M5X10



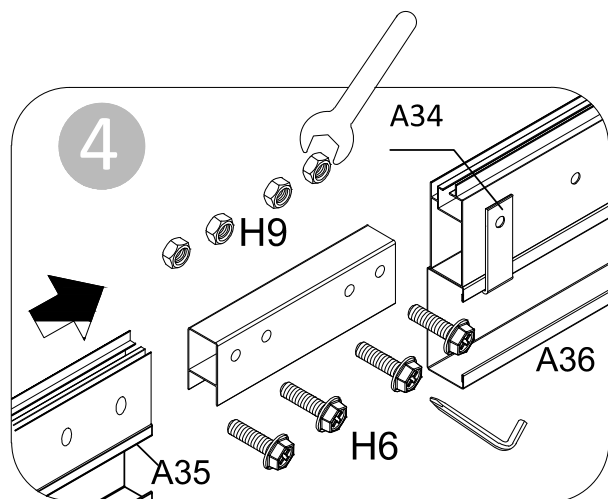
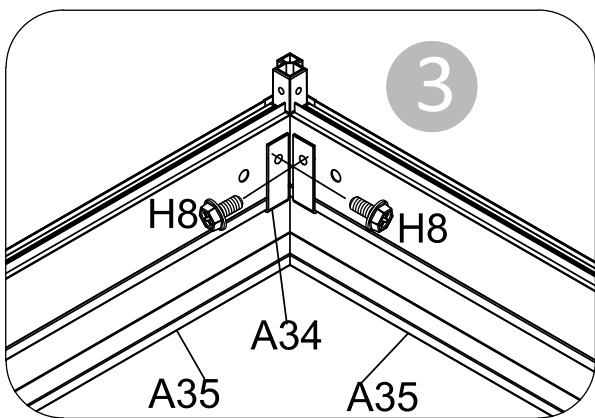


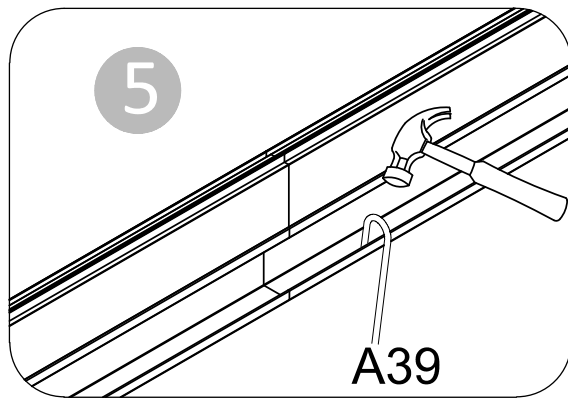
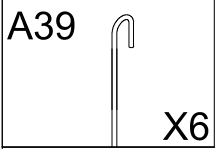
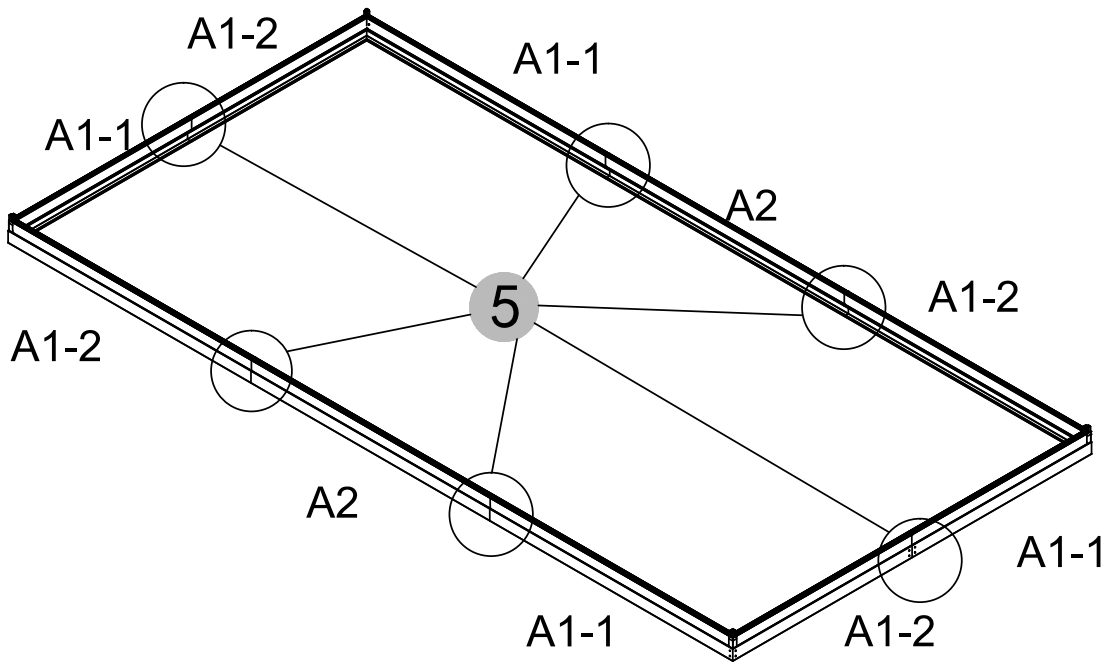
H23

 M5X10 X40





A34





Contact information

Austria



Belgium



Croatia



Denmark



Estonia



Finland



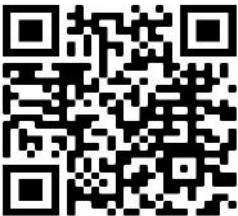
France



Germany



Ireland



Italy



Latvia



Lithuania



Nederland



Norway



Poland



Portugal



Spain



Sweden



Switzerland



UK

