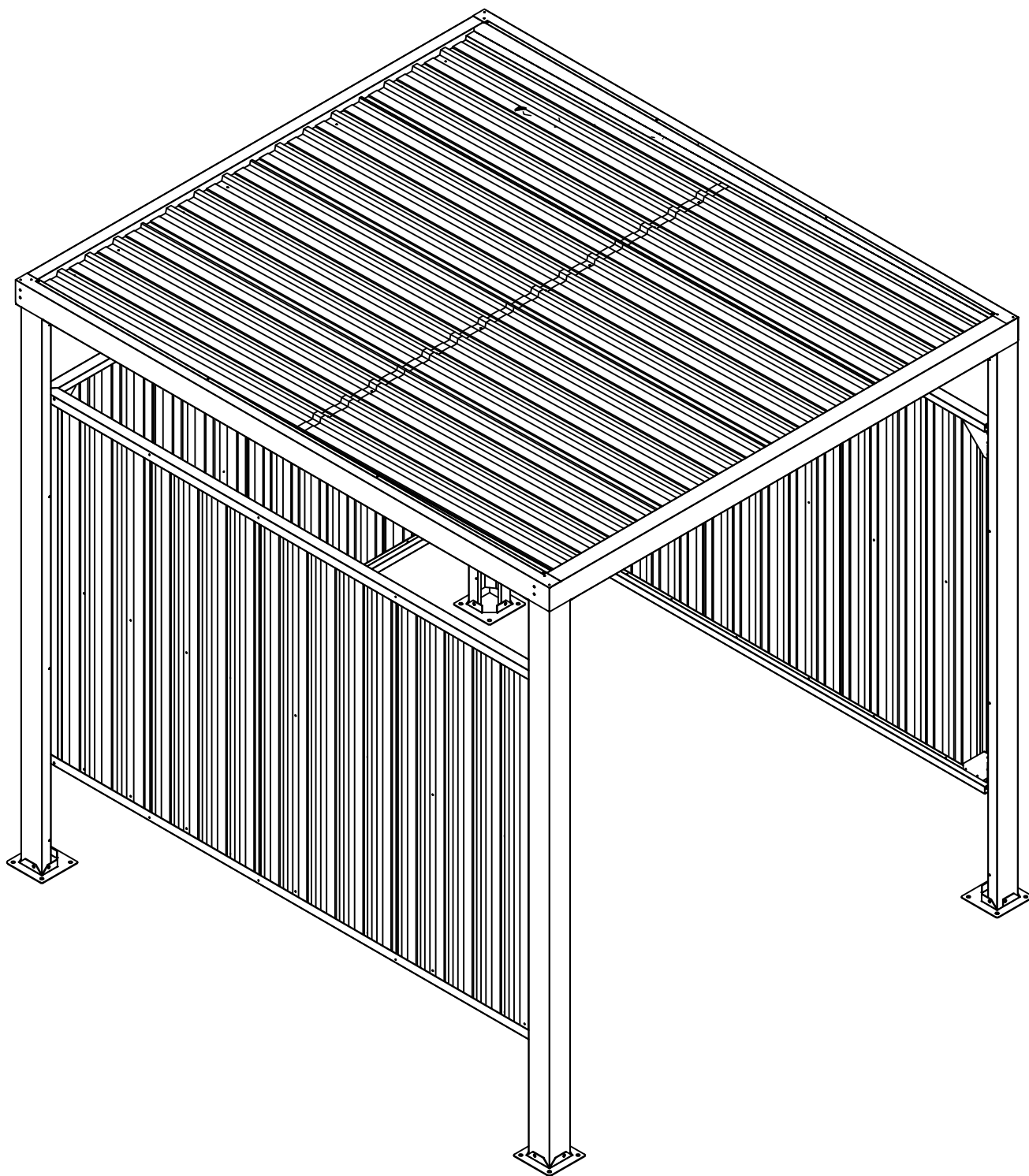


Manual
for
Bike Shed/Carport/Shelter
1,8x2,05x1,93m

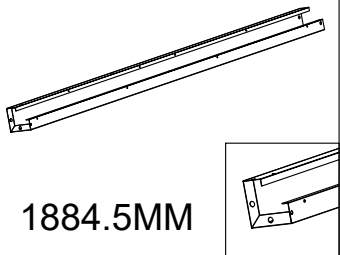
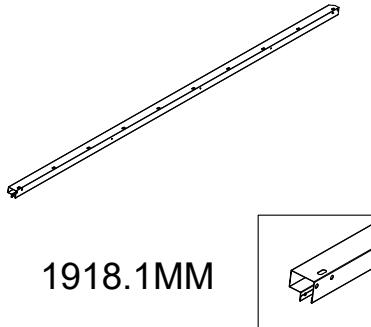
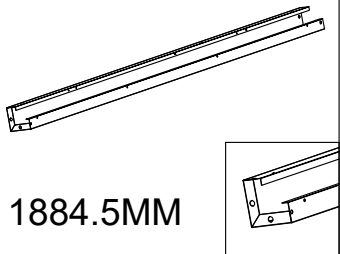
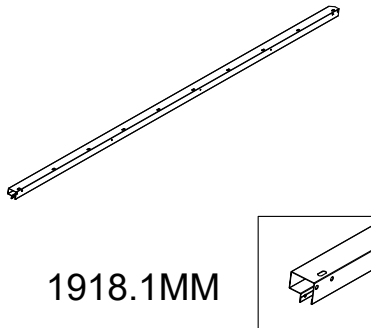
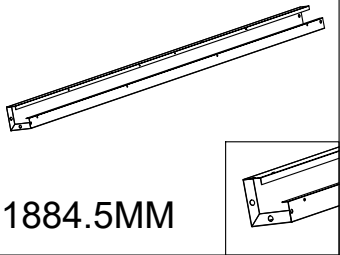
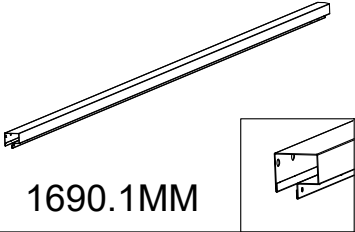
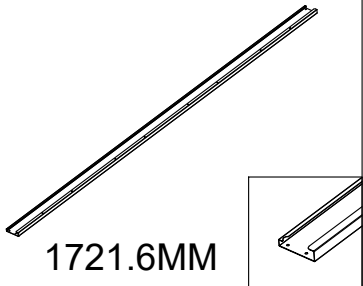
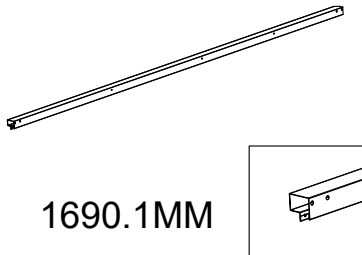
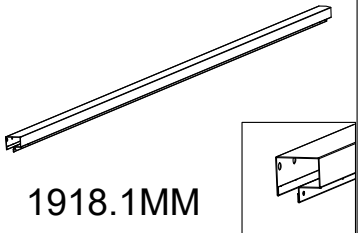
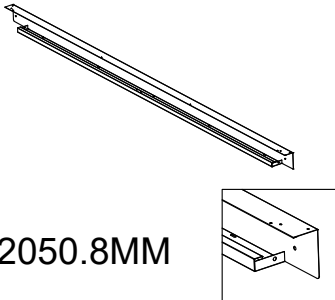
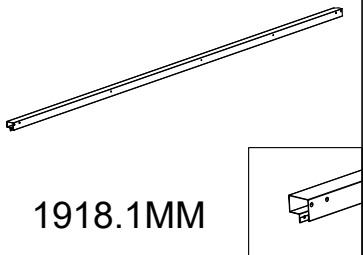
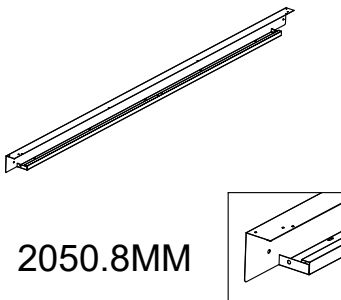


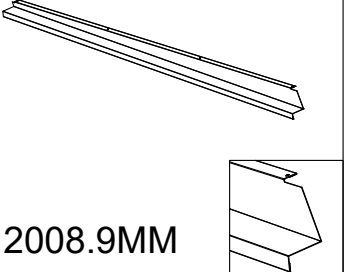
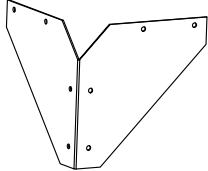
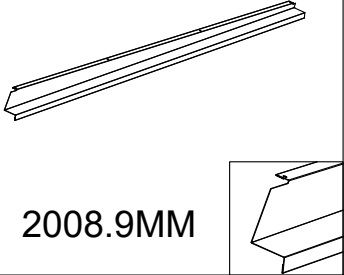
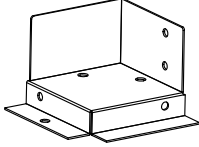
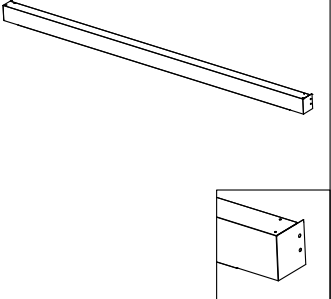
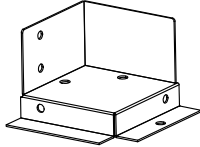
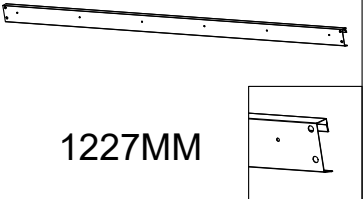
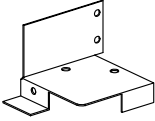
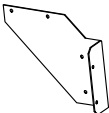
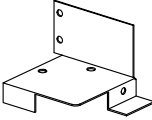
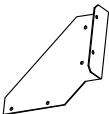
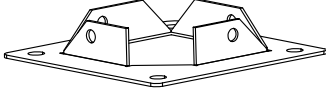
ASSEMBLY INSTRUCTIONS

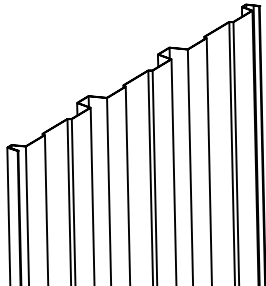
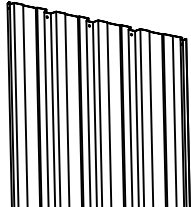
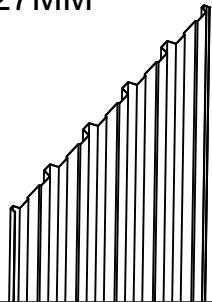
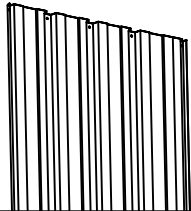
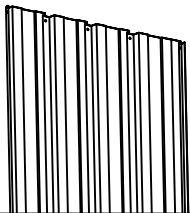
Bike Shed/Carport/Shelter



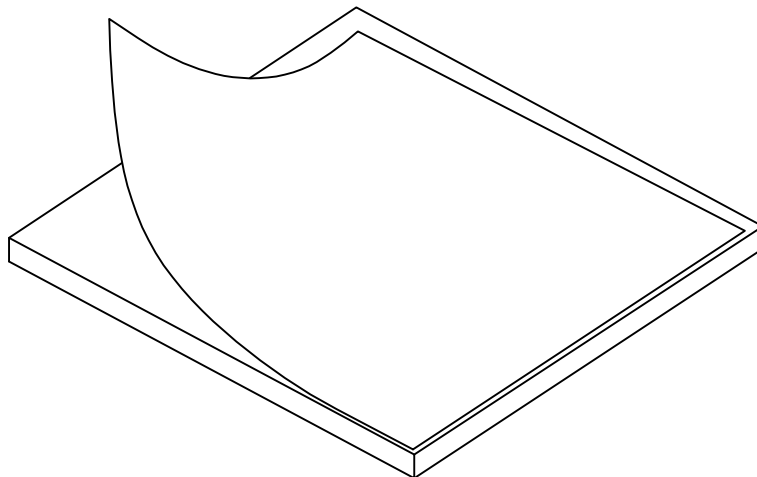
2050x1800x1930mm

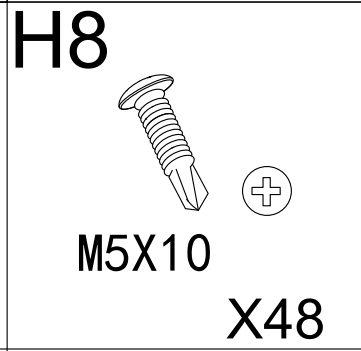
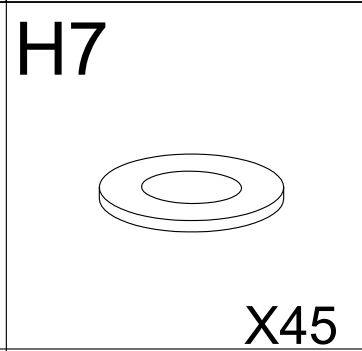
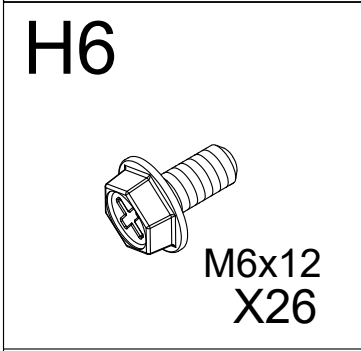
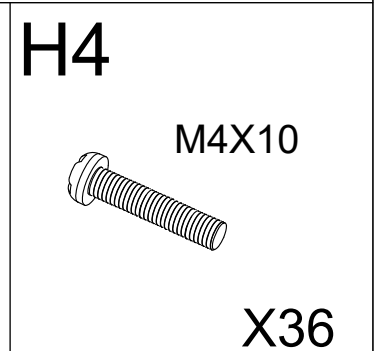
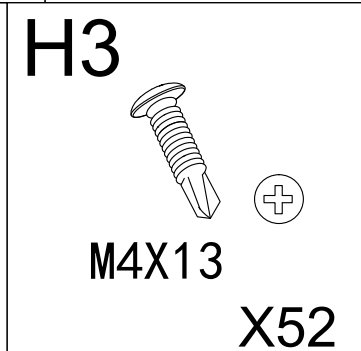
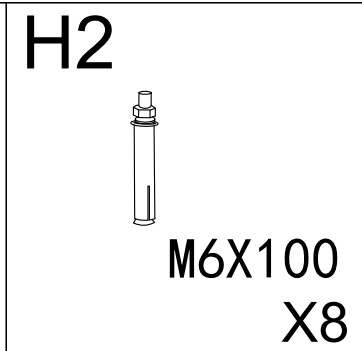
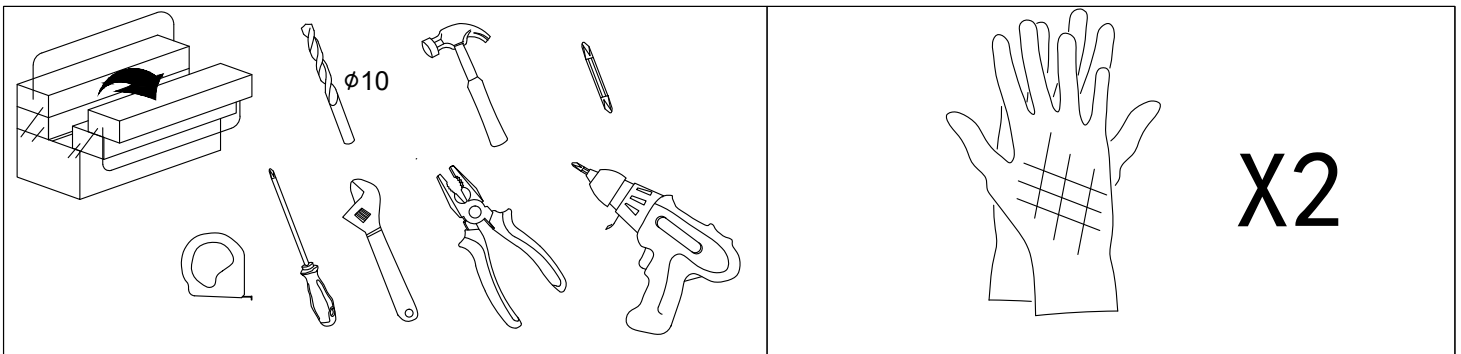
A1-A	 <p>1884.5MM</p>	X1		A12-A	 <p>1918.1MM</p>	X1
A1-B	 <p>1884.5MM</p>	X1		A12-B	 <p>1918.1MM</p>	X1
A2	 <p>1884.5MM</p>	X2		A13	 <p>1690.1MM</p>	X1
A4	 <p>1721.6MM</p>	X1		A5	 <p>1690.1MM</p>	X1
A10	 <p>1918.1MM</p>	X1		A6-A	 <p>2050.8MM</p>	X1
A11	 <p>1918.1MM</p>	X1		A6-B	 <p>2050.8MM</p>	X1

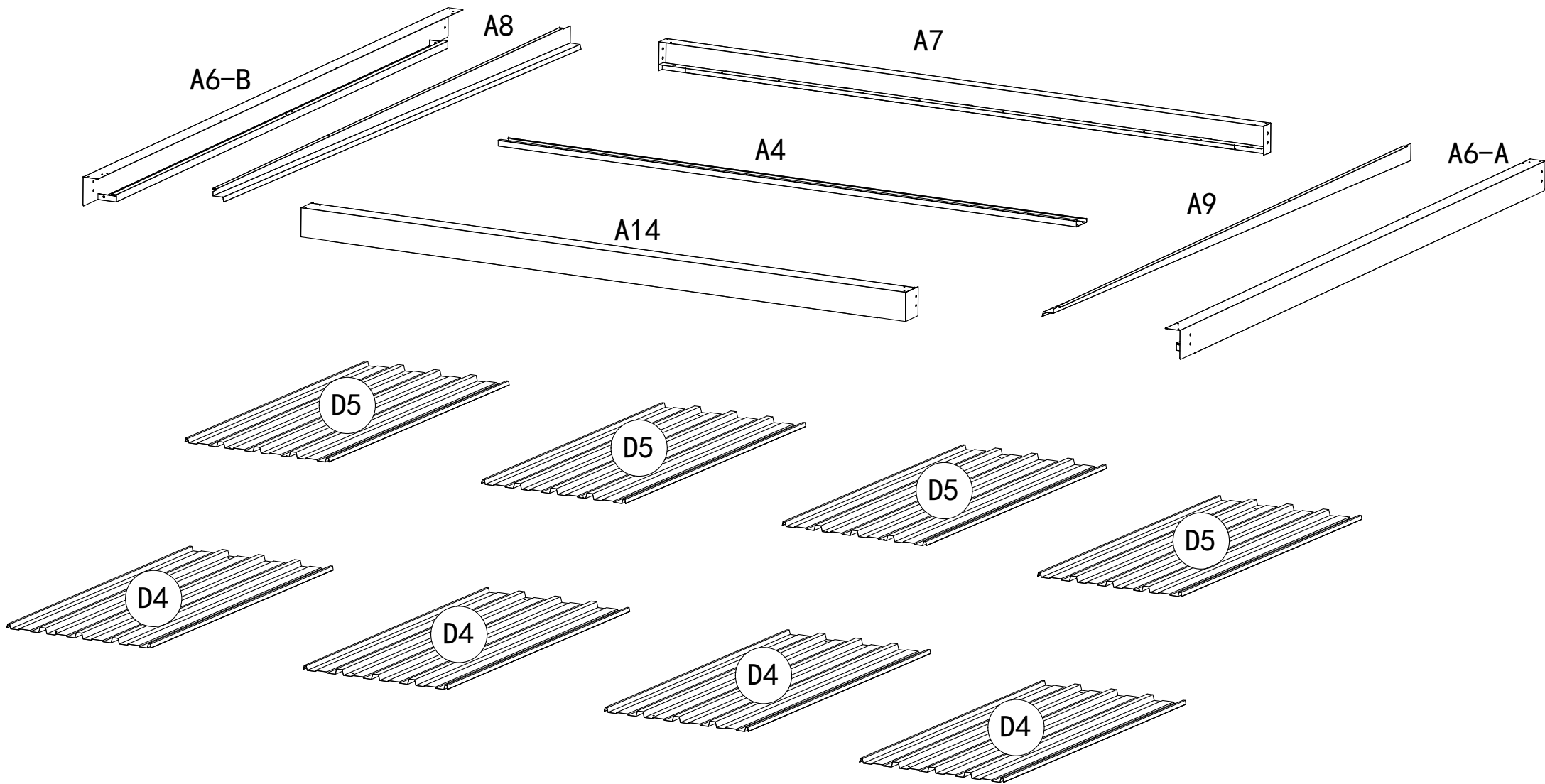
A7		X1				
A8	 2008.9MM	X1		A18		X4
A9	 2008.9MM	X1		A19-A		X1
A14		X1		A19-B		X1
A15	 1227MM	X6		A20-A		X1
A17-A		X2		A20-B		X1
A17-B		X2		A21		X4

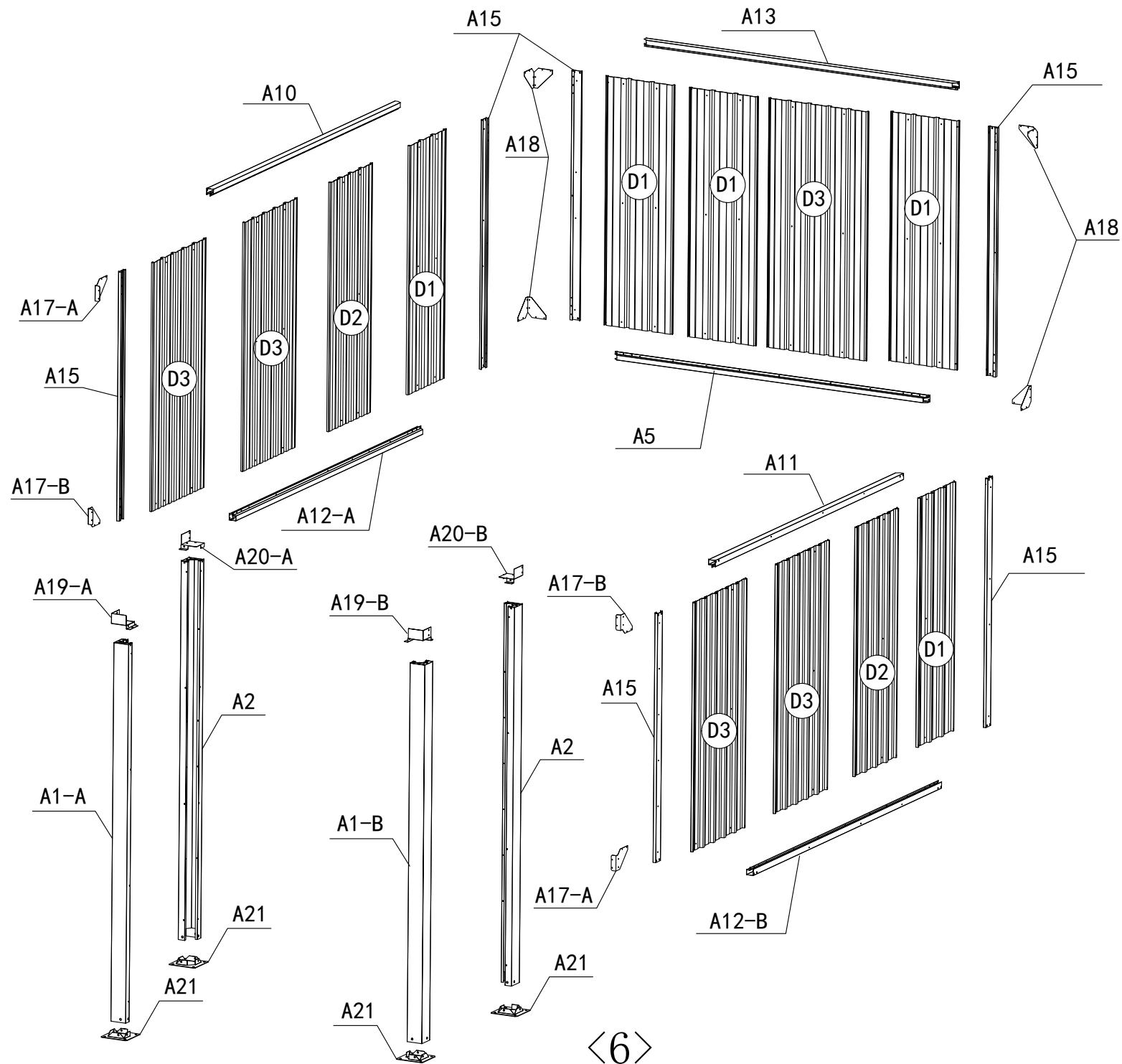
D1	1227MM 	X5	D2	1227MM 	X2
D3	1227MM 	X5	D4	1024MM 	X4
D5	1012MM 	X4			

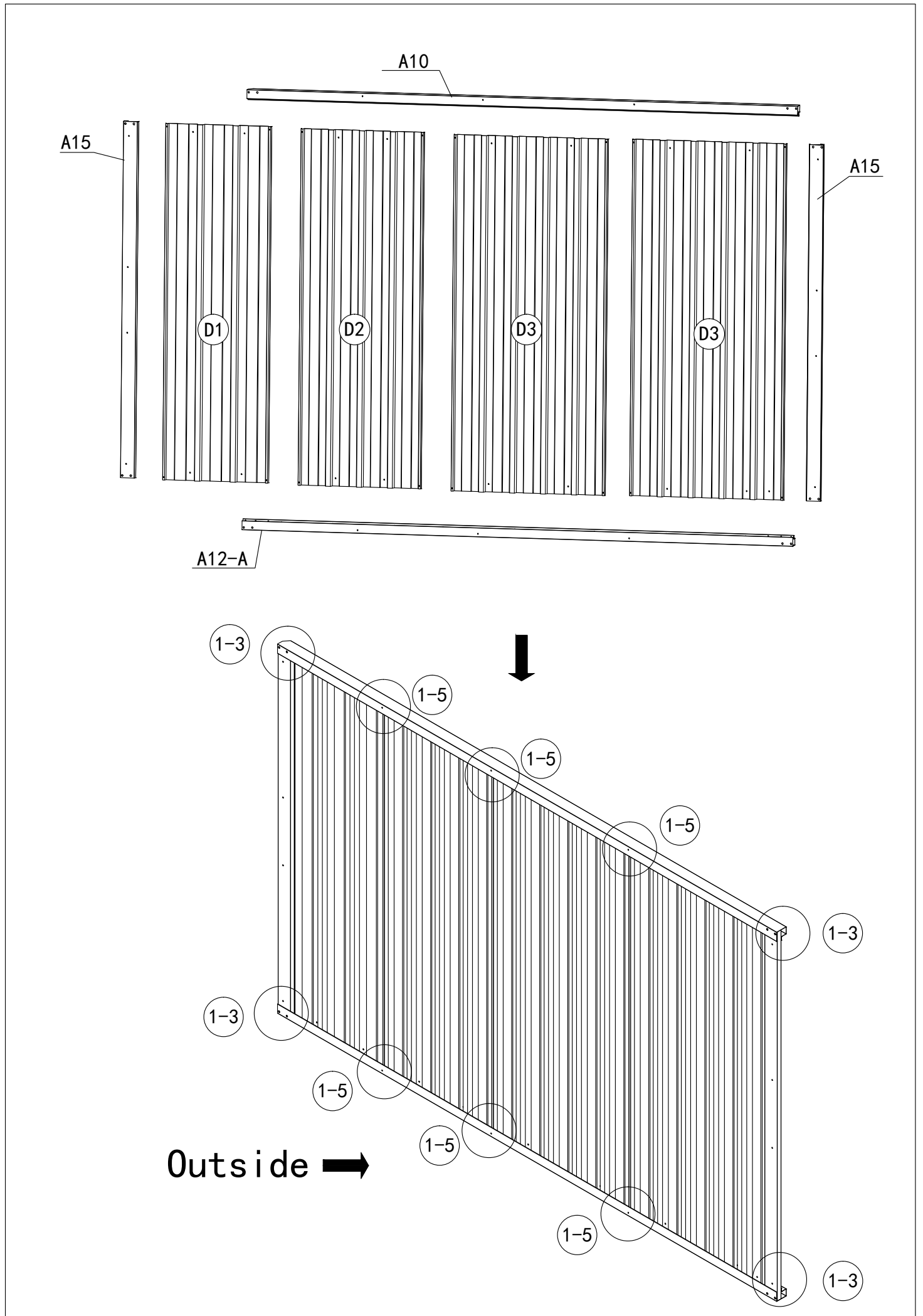
The surface comes with an easy-tear film









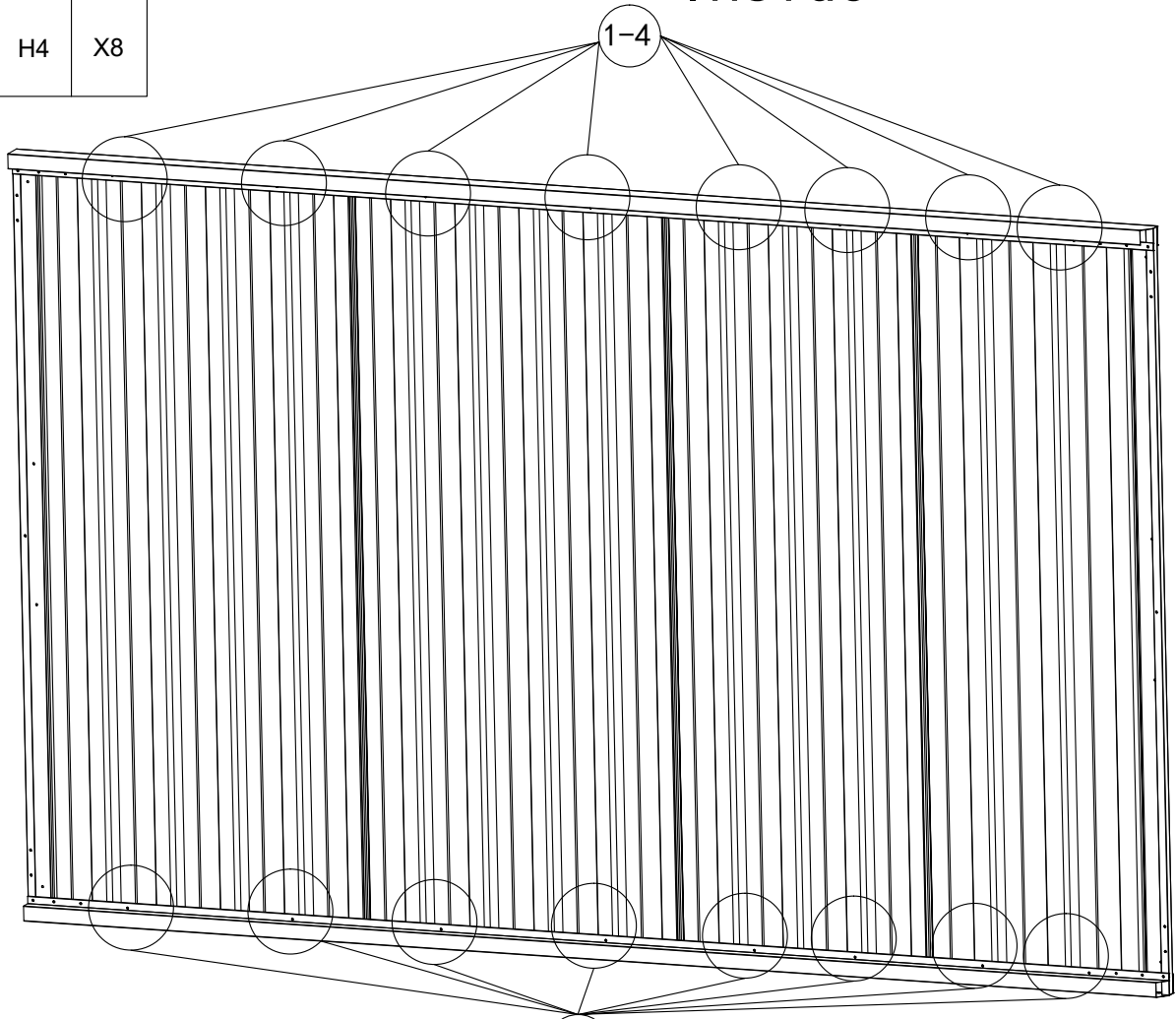




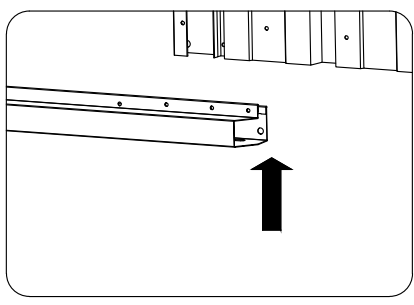


	H1	X6		H8	X16
	H7	X6			
	H4	X8			

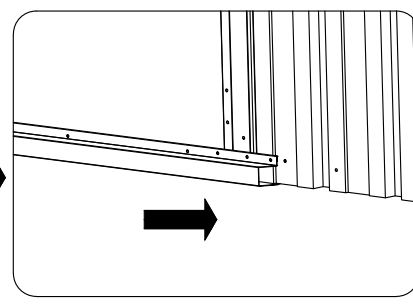
Inside



1-1



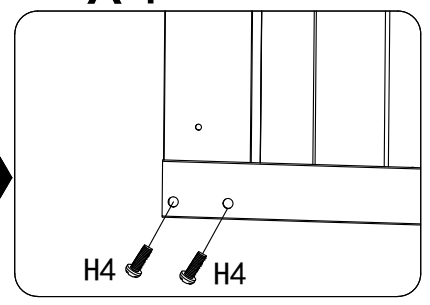
1-2



1-4

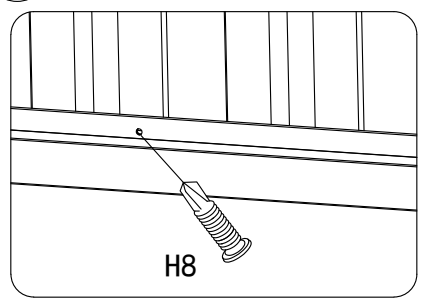
1-3

X4 Outside



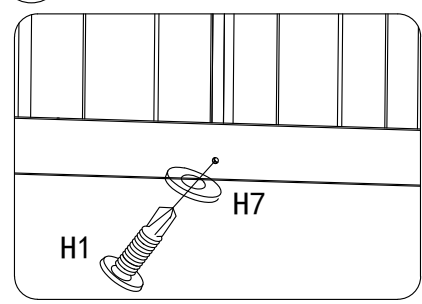
1-4

X16 Inside

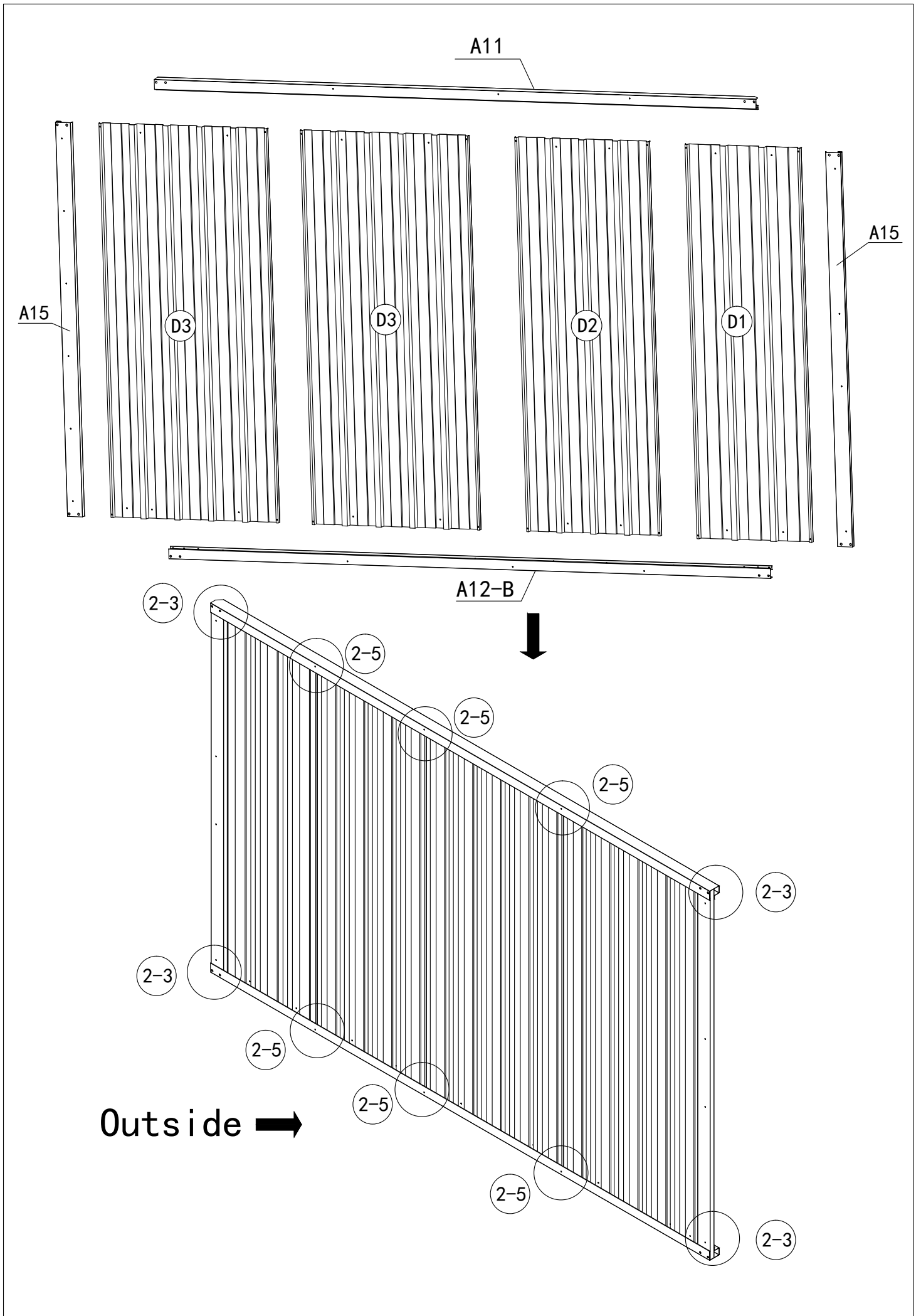






1-5

X6 Outside

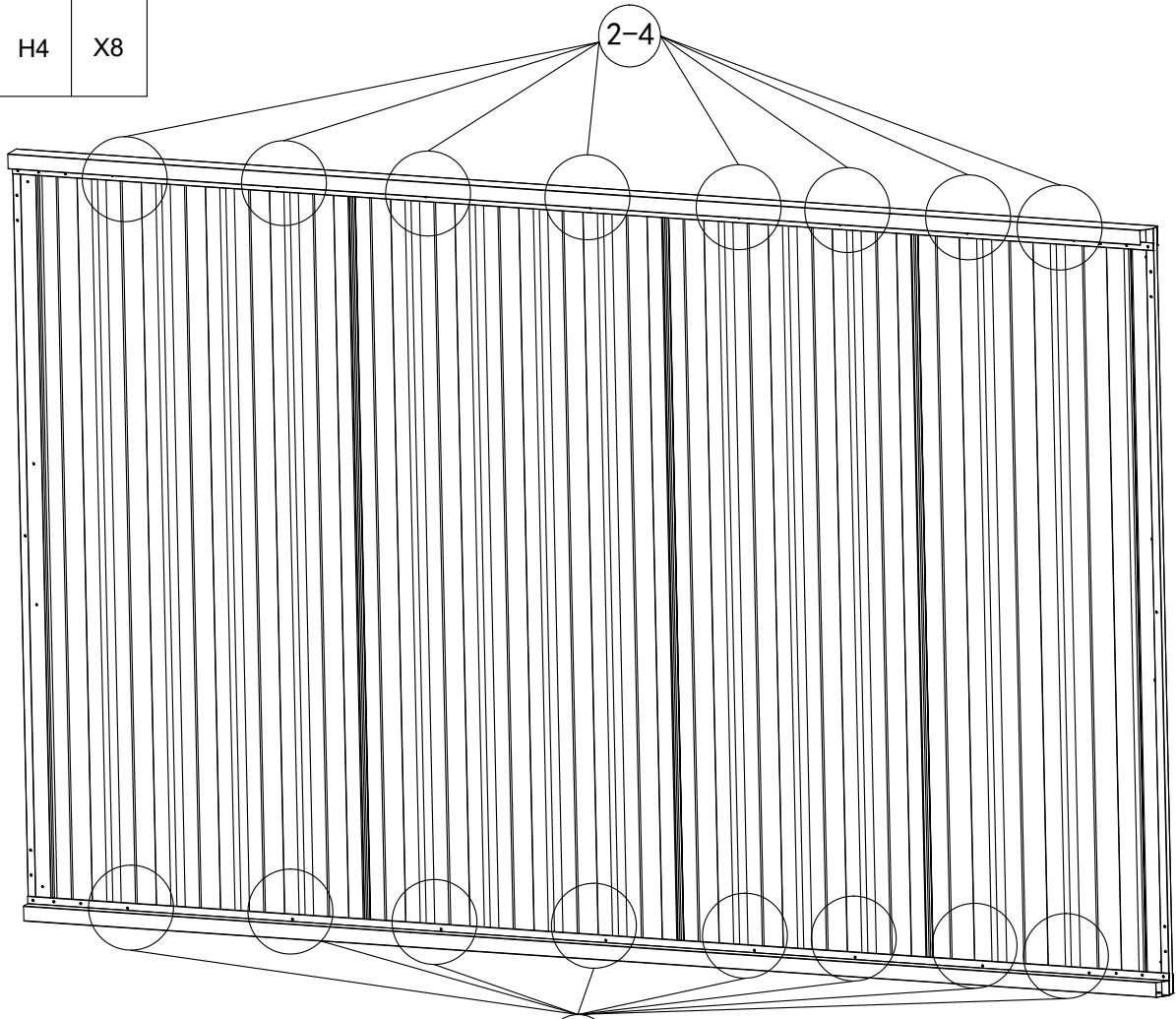


=AL1

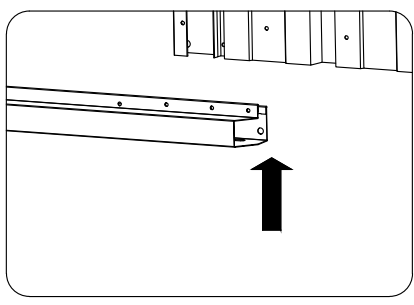


	H1	X6		H8	X16
	H7	X6			
	H4	X8			

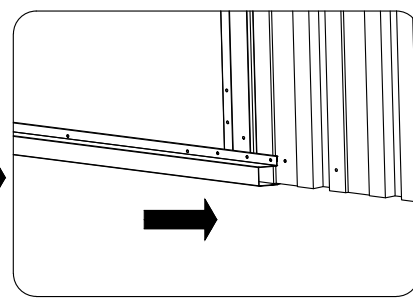
Inside



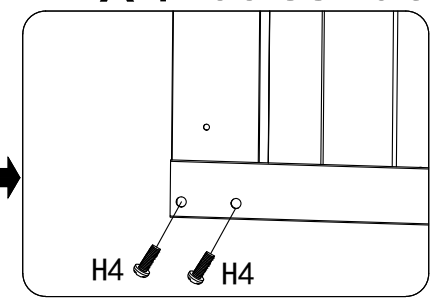
2-1



2-2

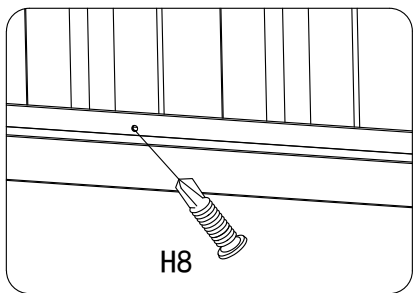


2-3



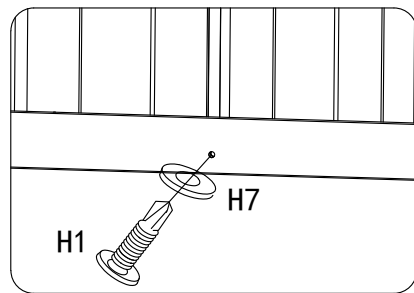
2-4

X16 Inside



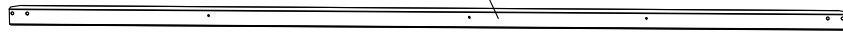
2-5

X6 Outside



=AL2

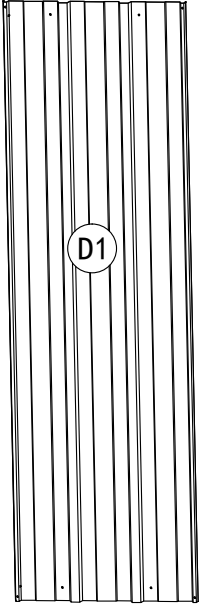
A13



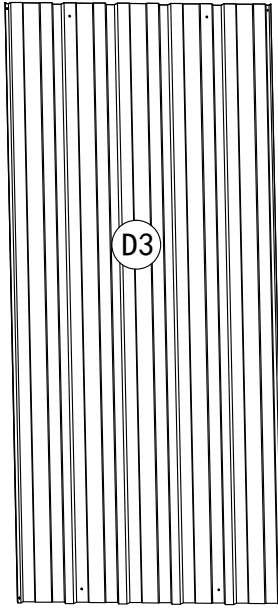
A15



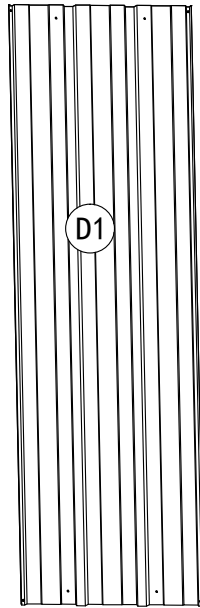
D1



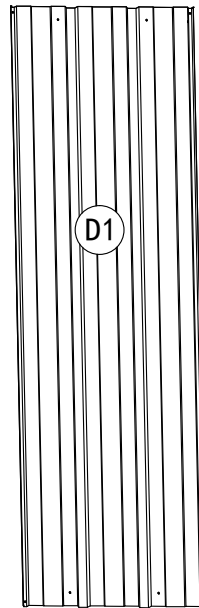
D3



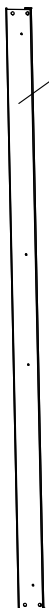
D1



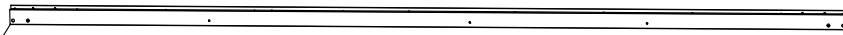
D1



A15



A5



3-3



3-5



3-5



3-5



3-3



3-3



3-5



3-5







3-5

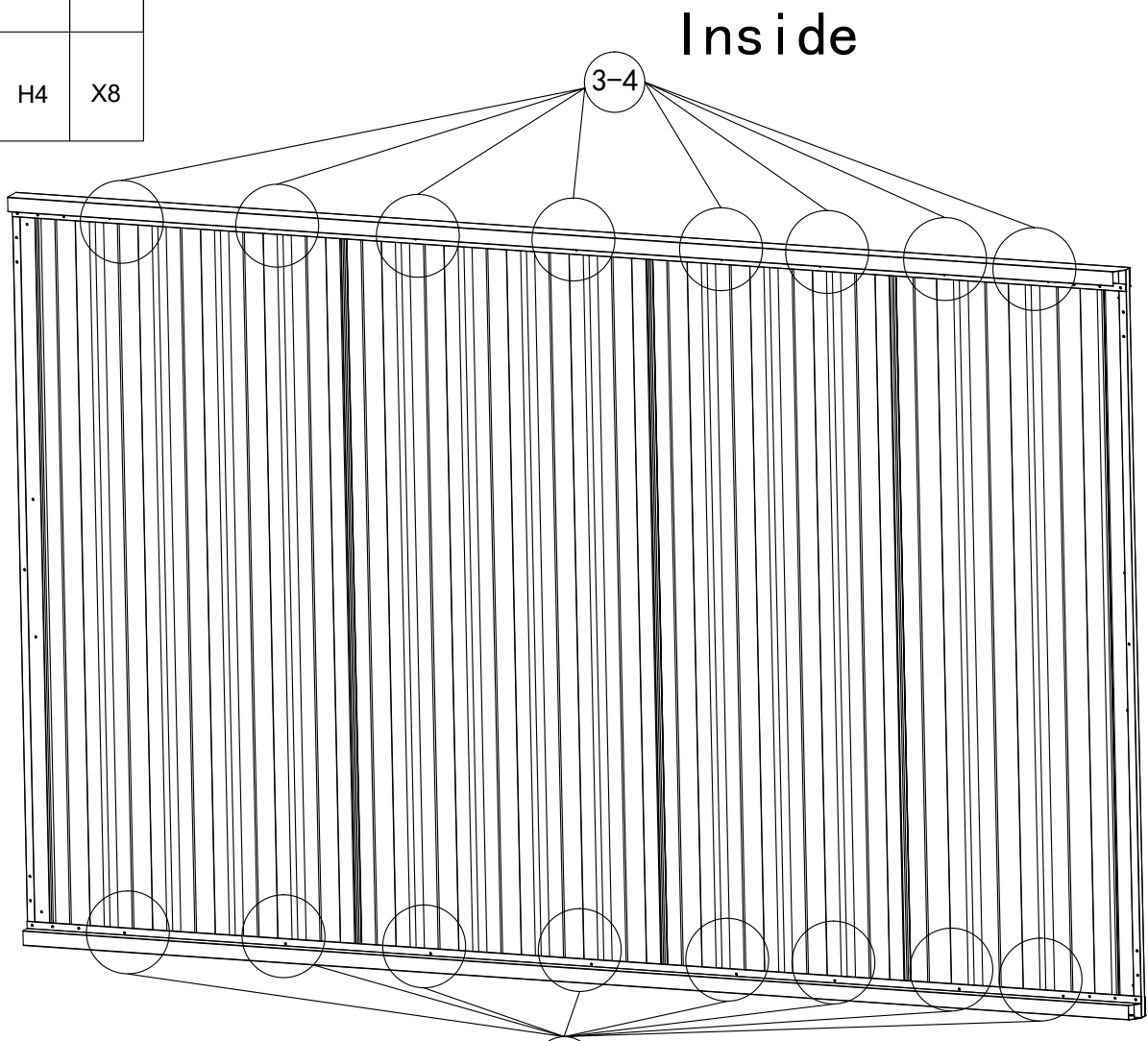


3-3

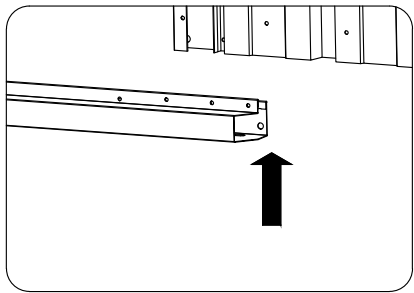


Outside →

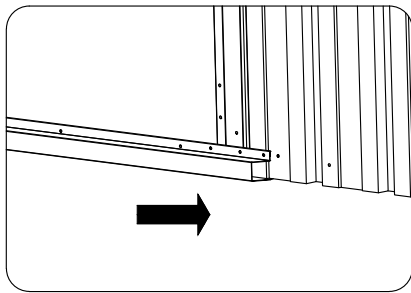
	H1	X6		H8	X16
	H7	X6			
	H4	X8			



3-1



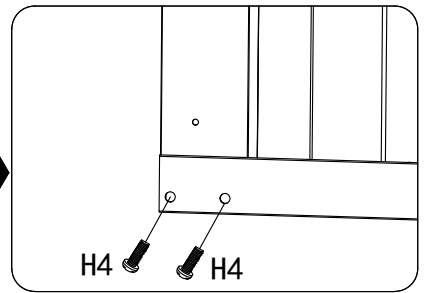
3-2



3-4

3-3

X4 Outside

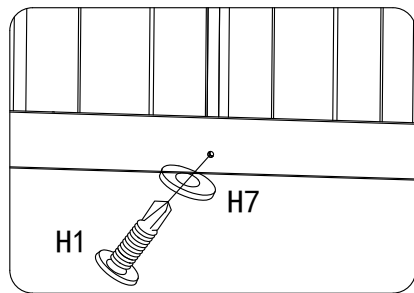
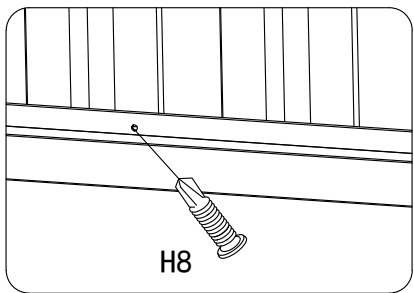


3-4

X16 Inside

3-5

X6 Outside



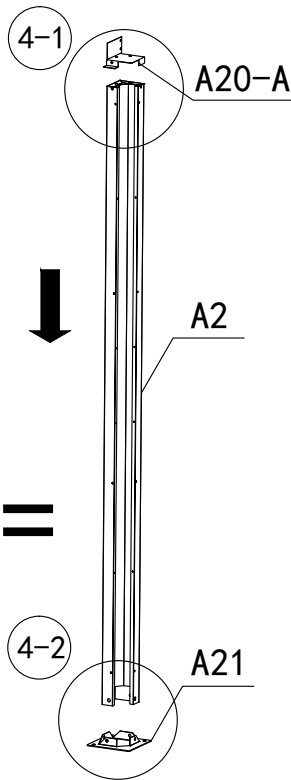
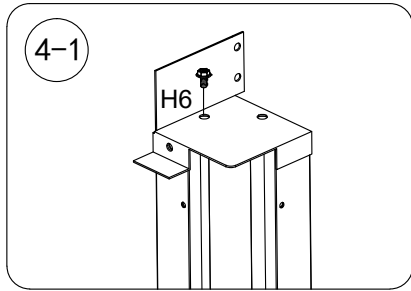
=AL3



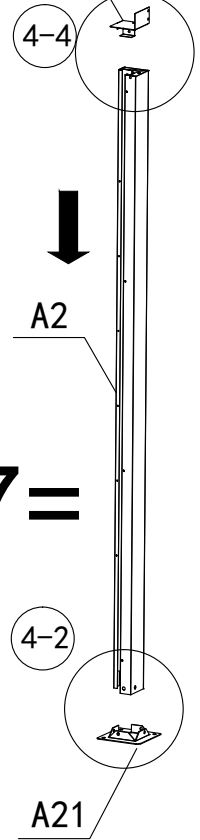
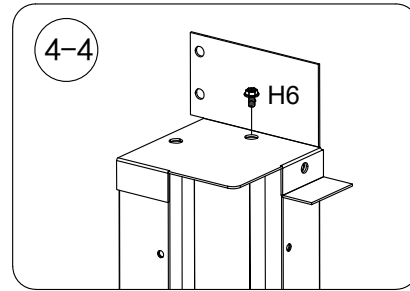
H6

X22

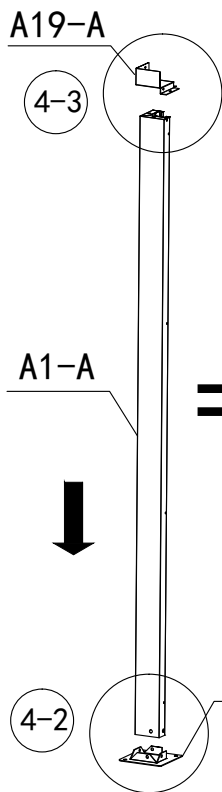
A20-B



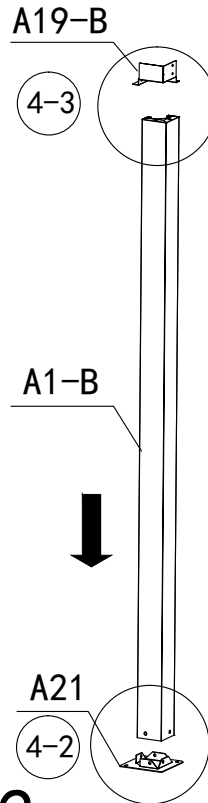
AL6=



AL7=

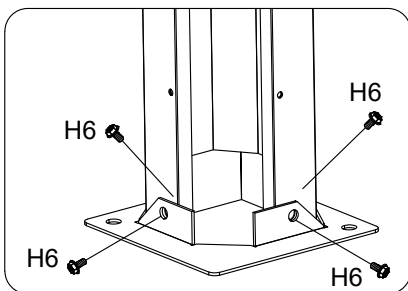


=AL4

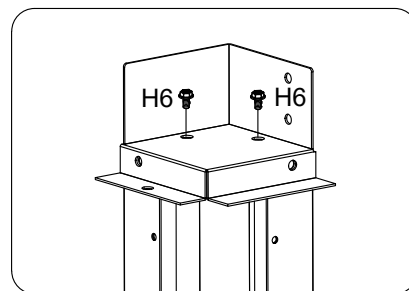


=AL5

4-2 X4



4-3 X2





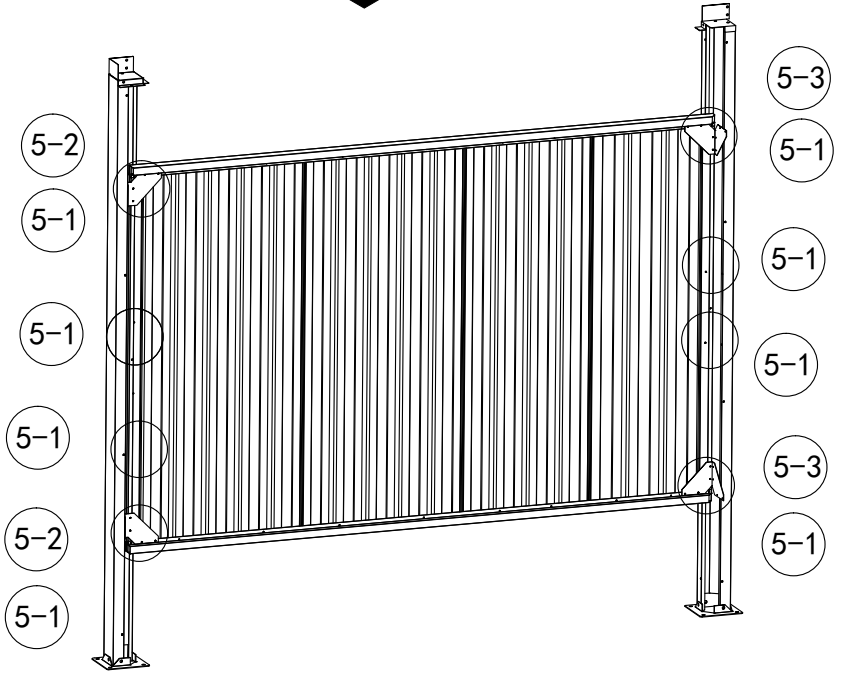
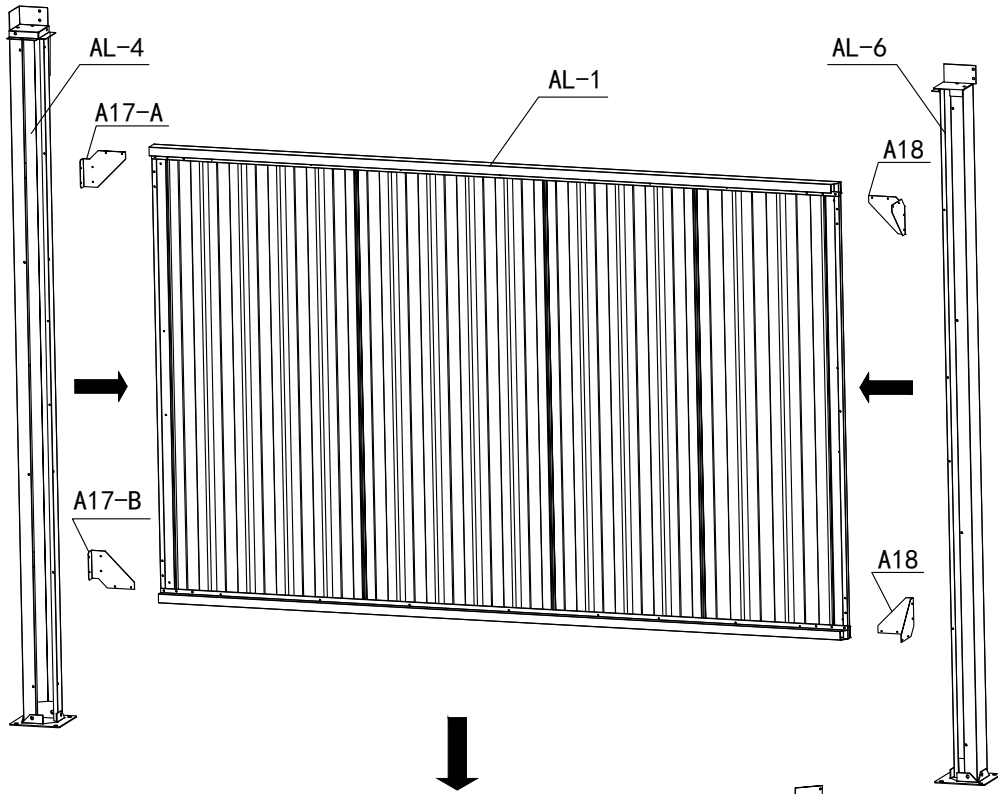
H1

X6



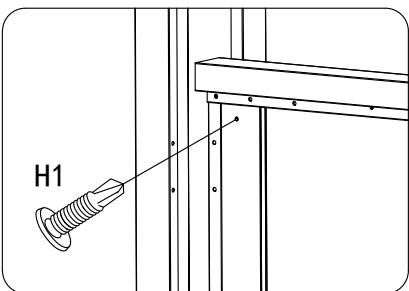
H3

X16



5-1

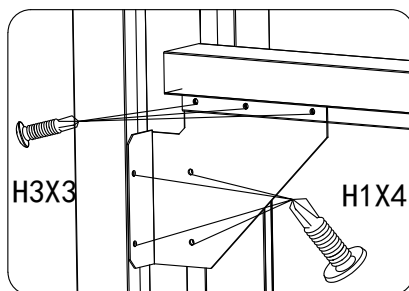
X8



H1

5-2

X2

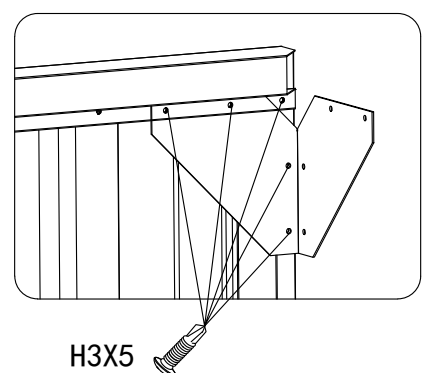


H3X3

H1X4

5-3

X2



H3X5



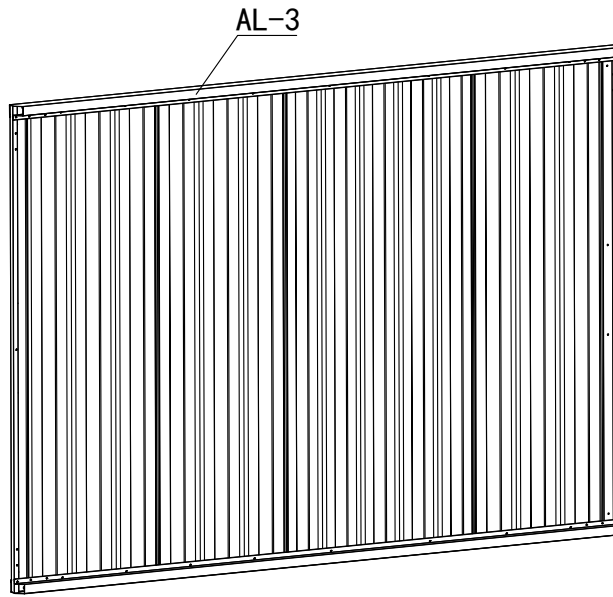
H1

X6



H3

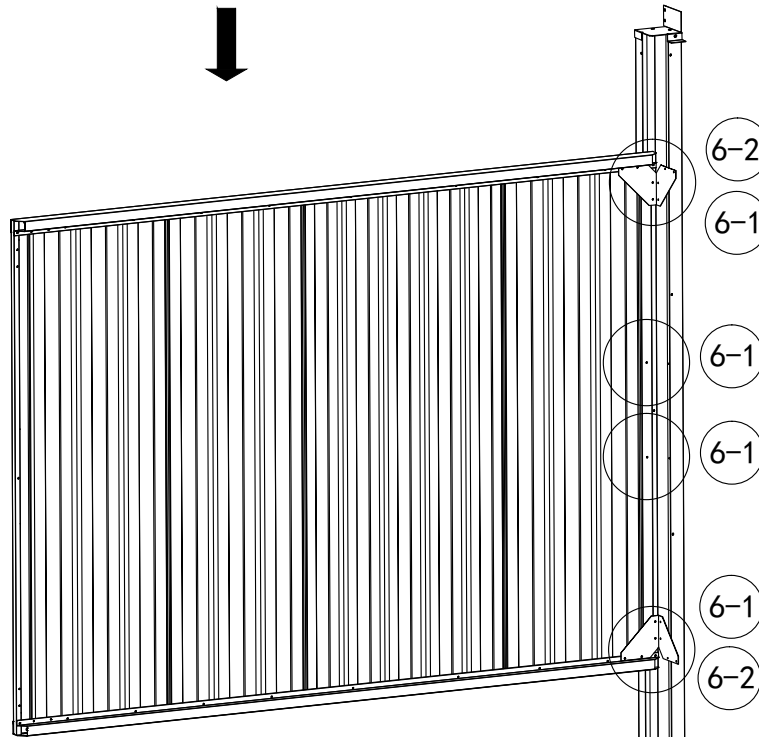
X16



AL-7

A18

A18



6-2

6-1

6-1

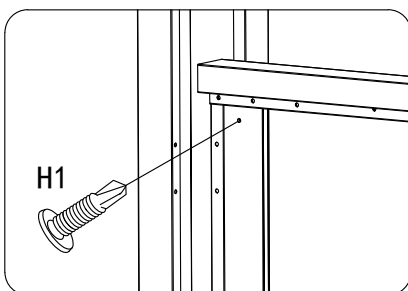
6-1

6-1

6-2

6-1

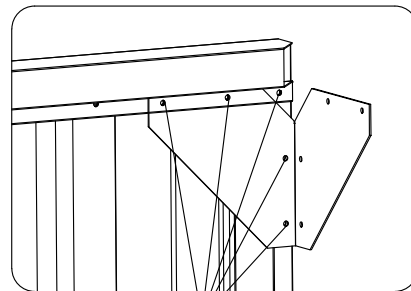
X4



H1

6-2

X2

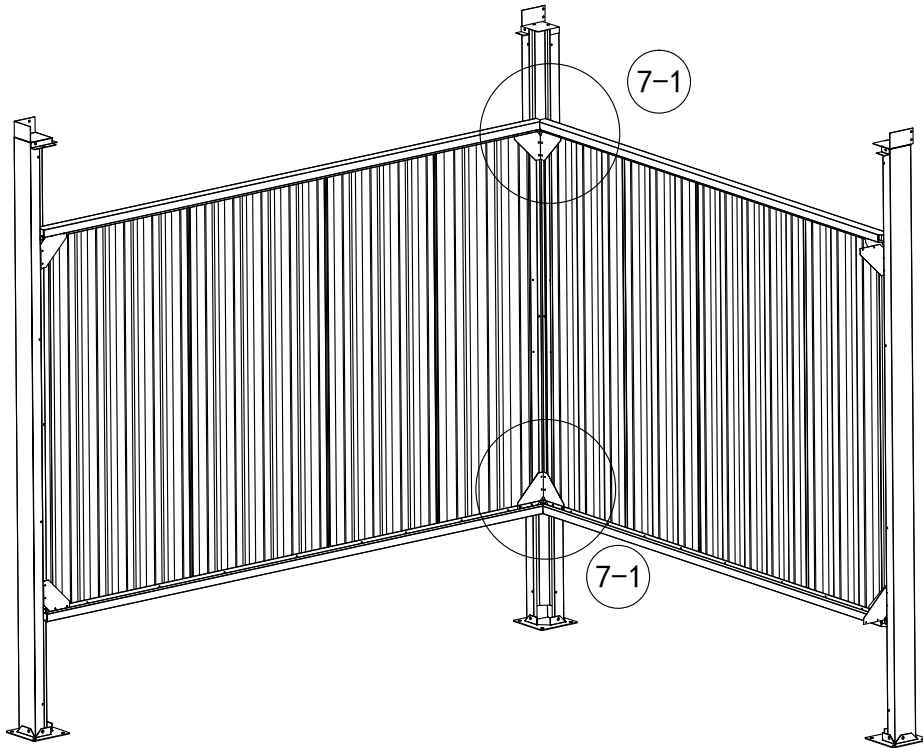
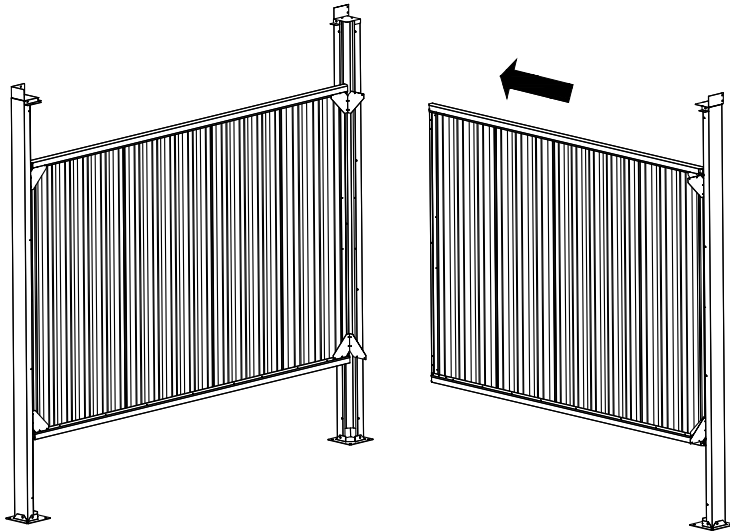


H3X5

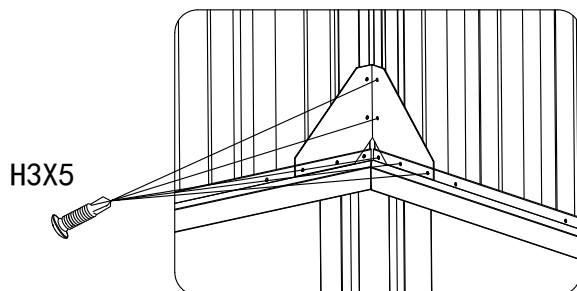



H3

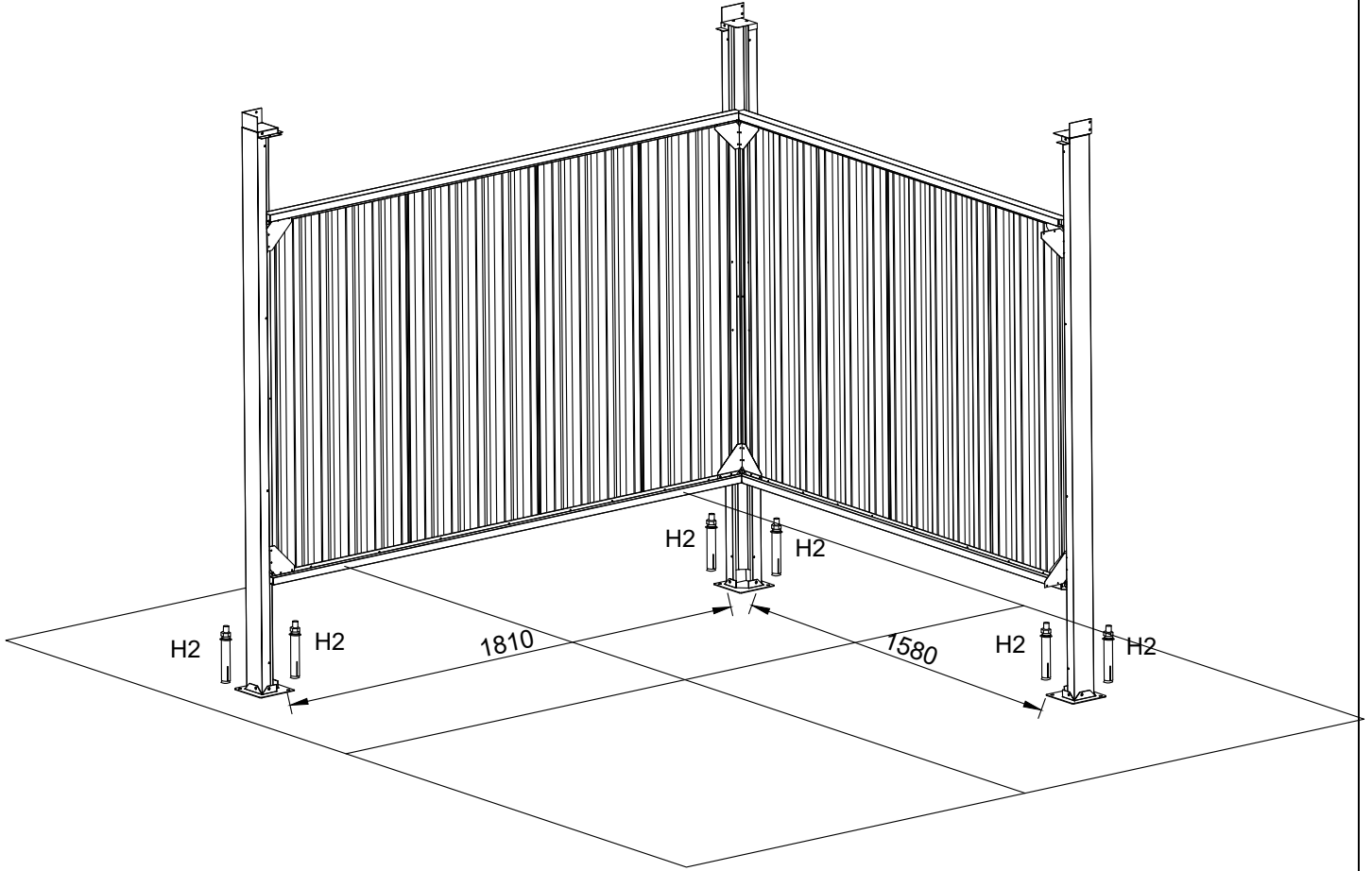
X10



7-1 X2



	H2	X6
M6X100		





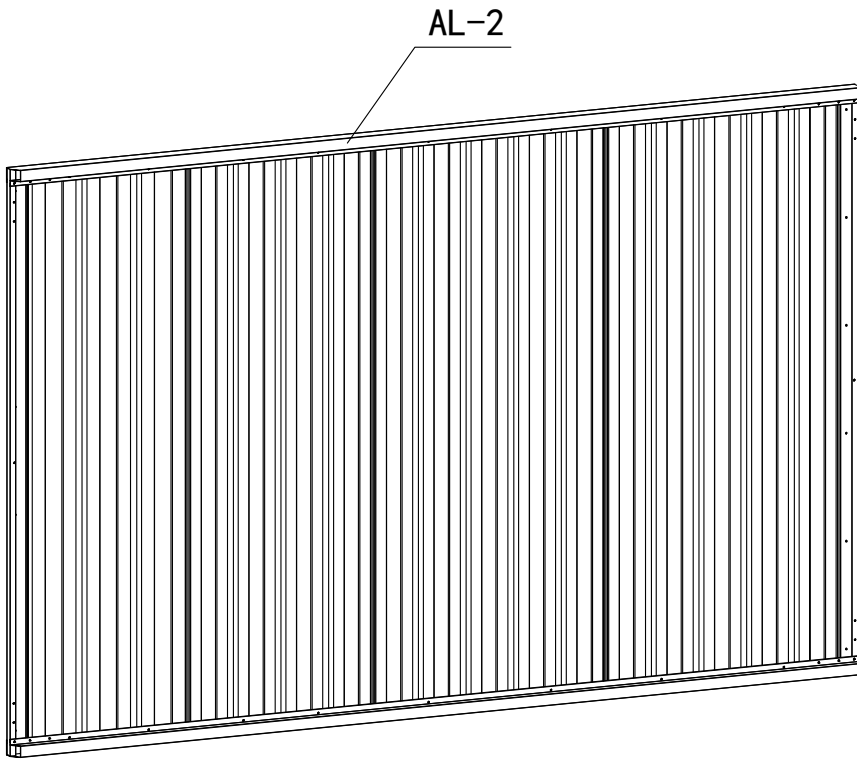
H1

X8



H3

X6



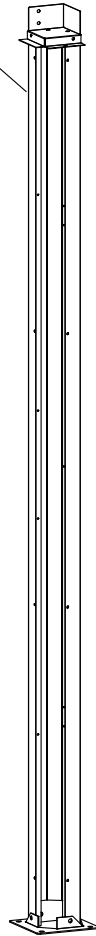
AL-2

AL-5

A17-B

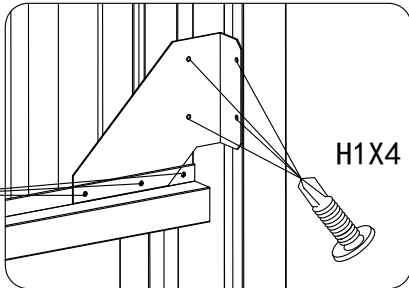


A17-A



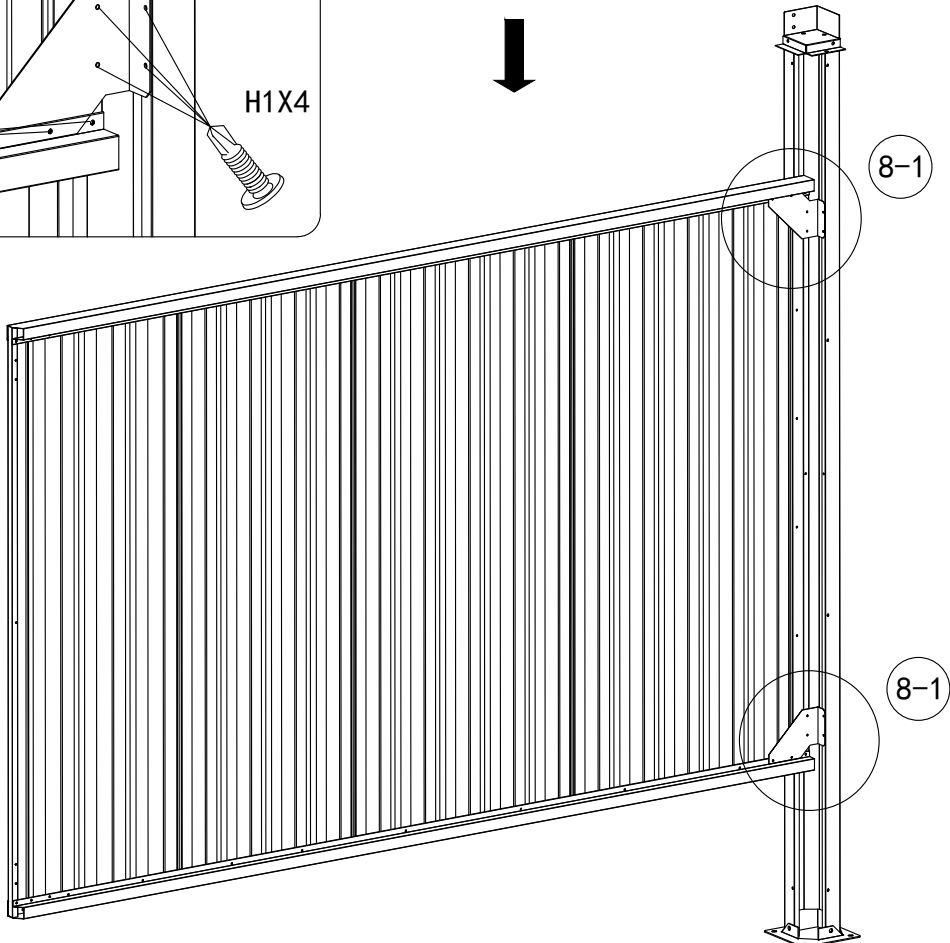
X2

8-1





H3X3

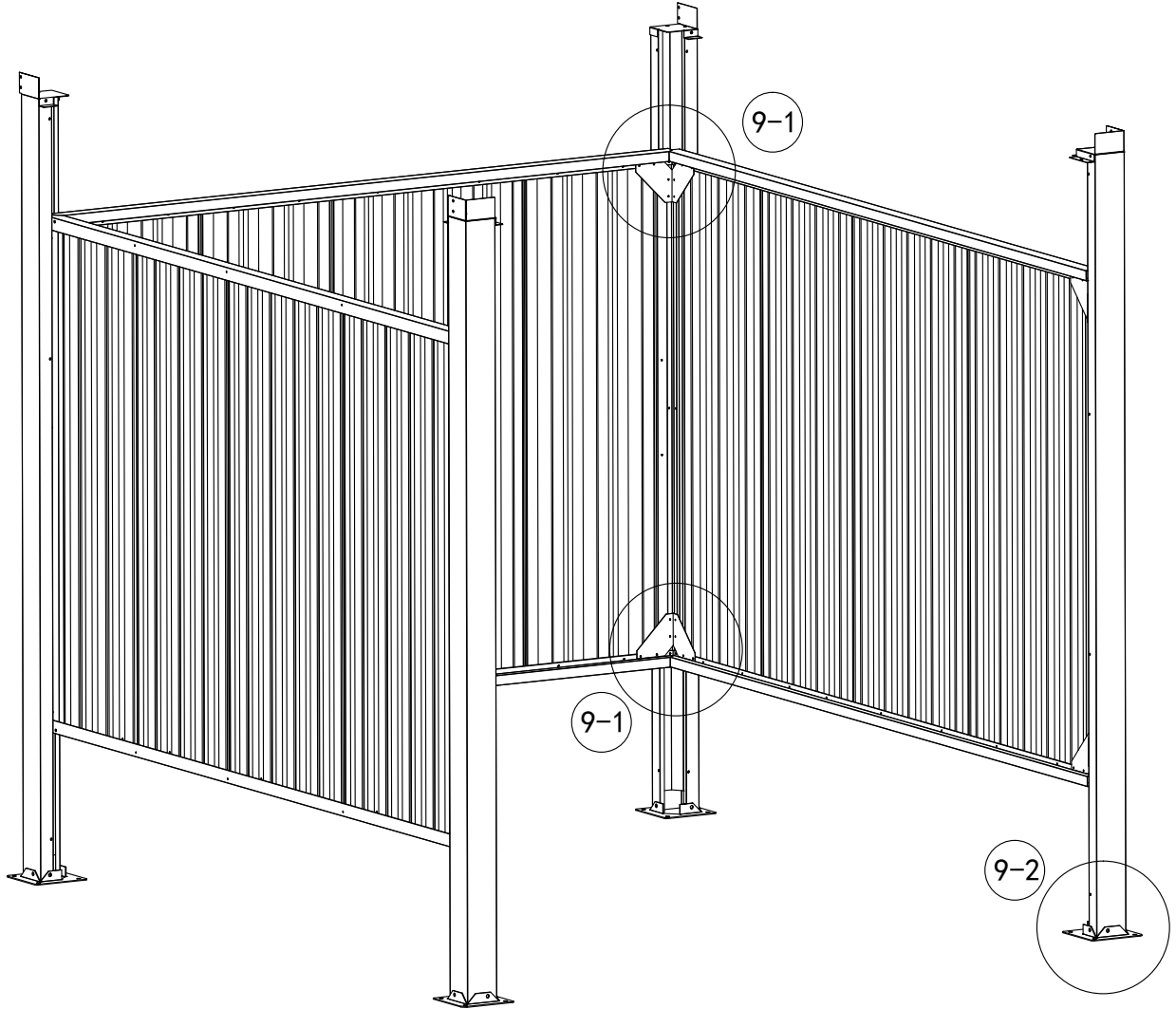
H1X4



8-1

8-1

	H3	X10
 M6X100	H2	X2

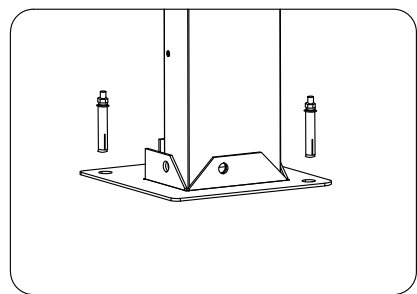
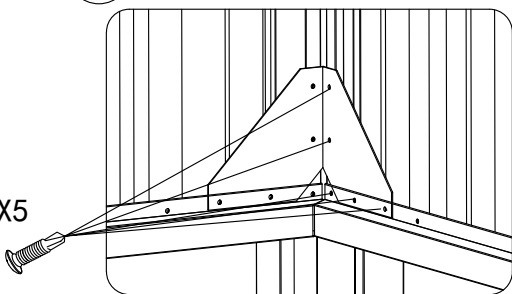


9-1

X2

9-2

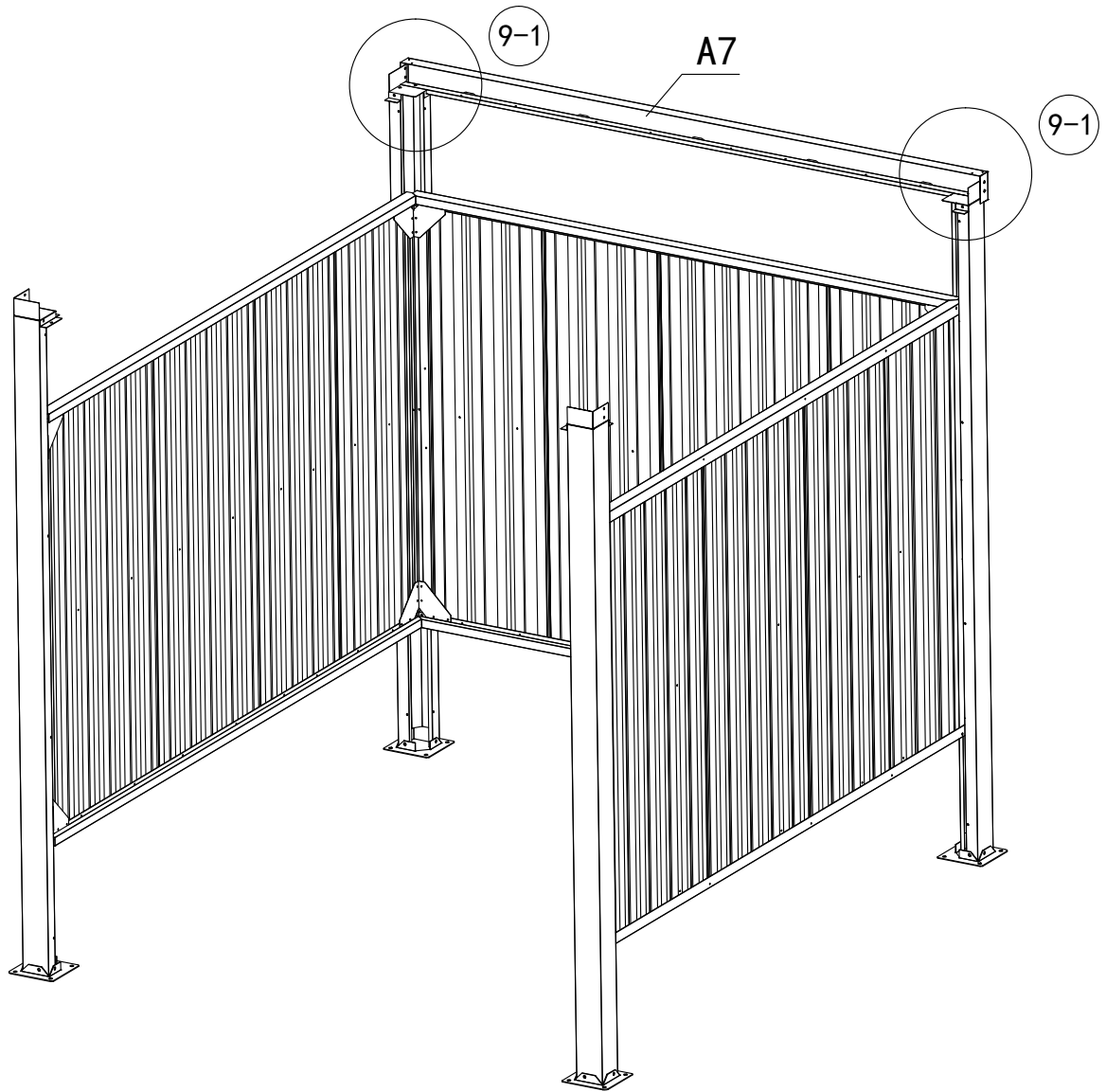
H3X5



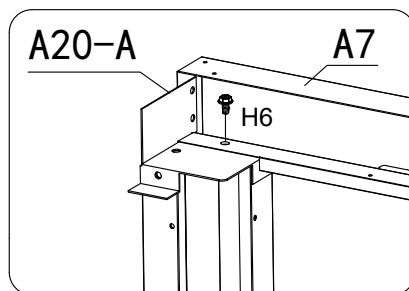


H6

X2



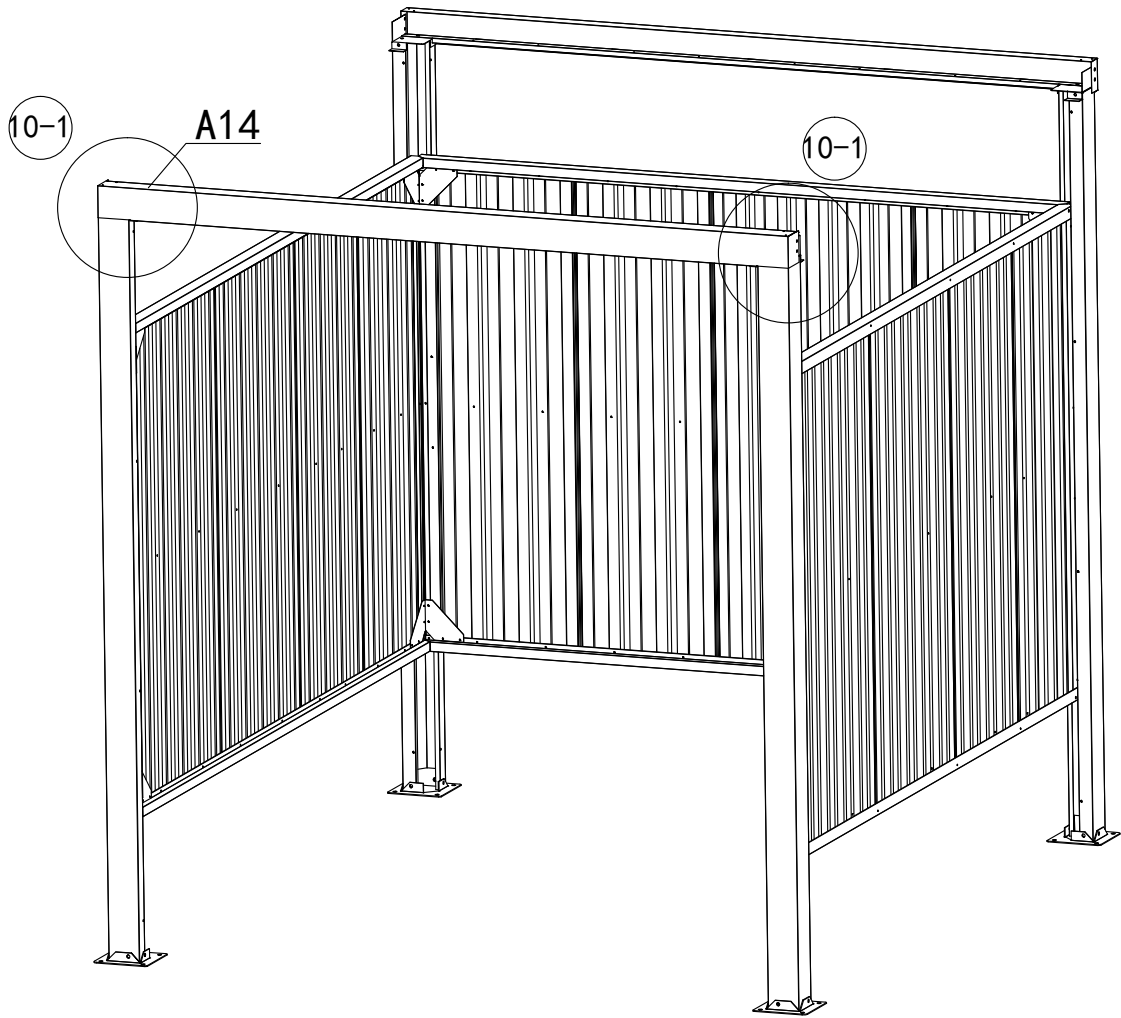
X2





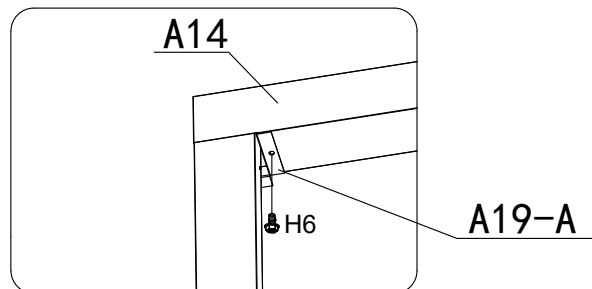
H6

X2



10-1



X2

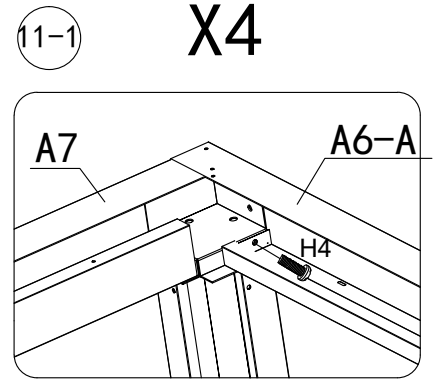
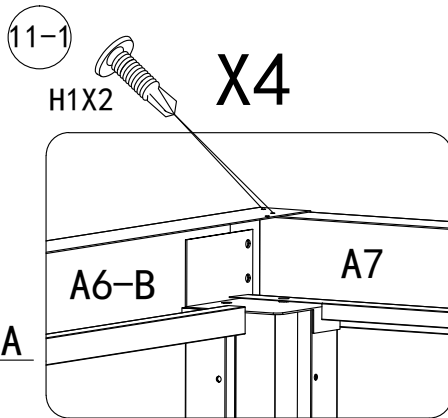
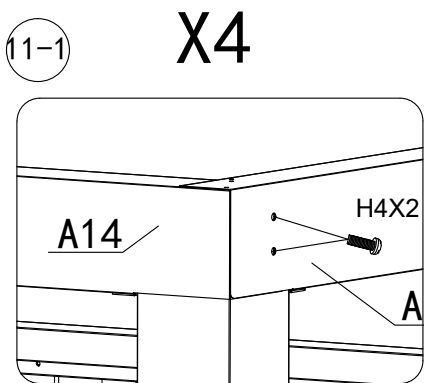
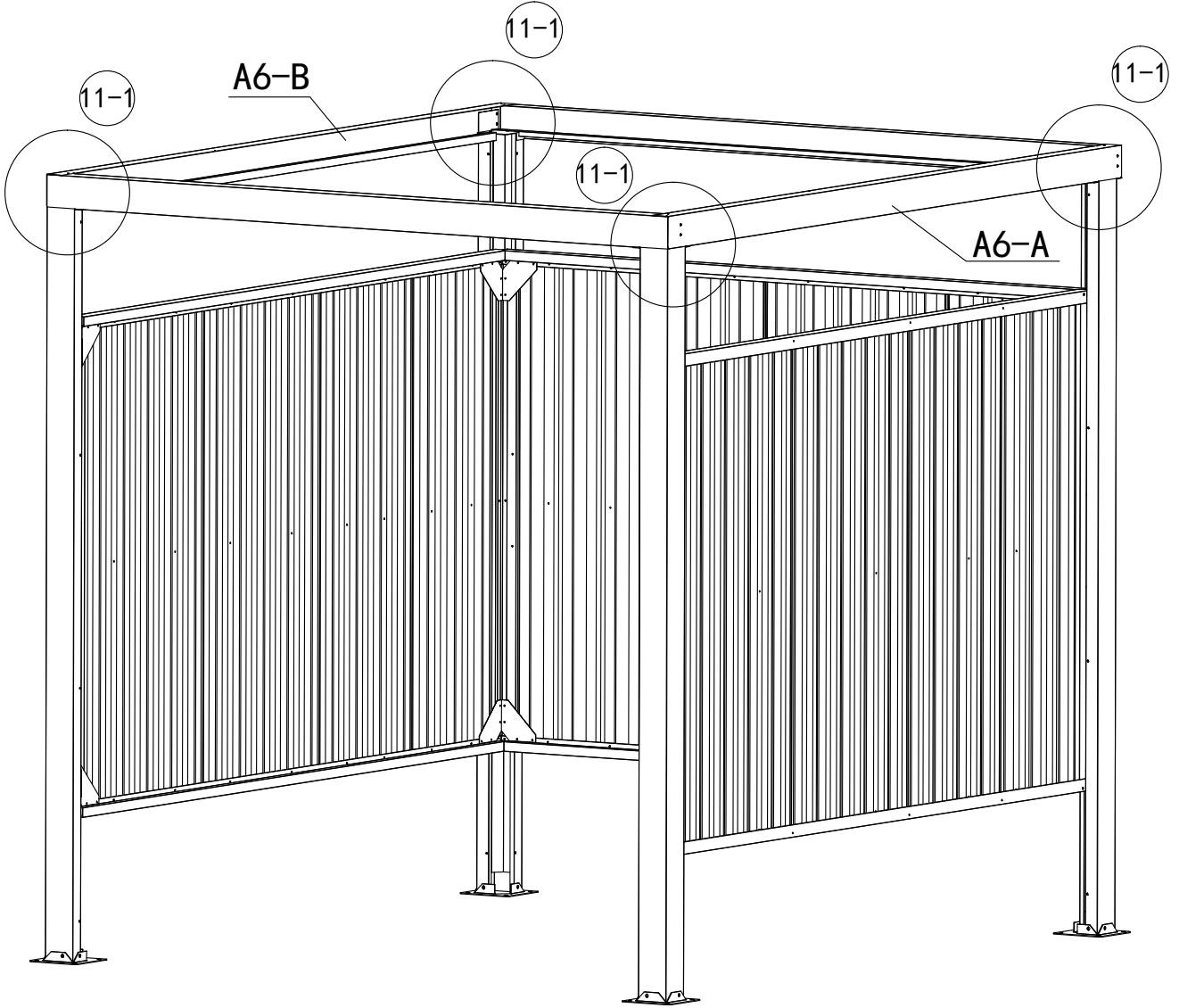


A14

H6

A19-A

	H1	X8
	H4	X12





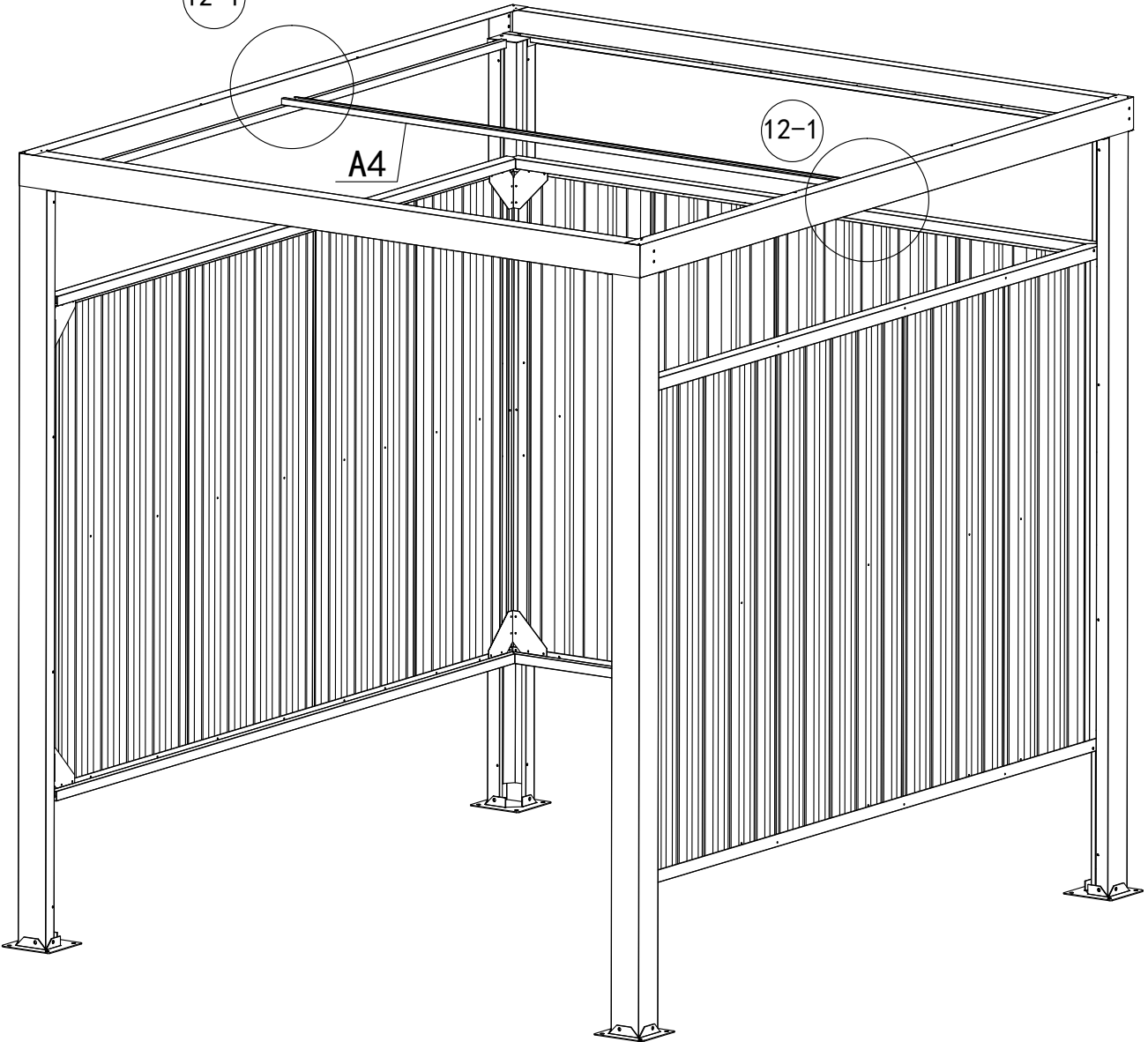
H1

X4

12-1

A4

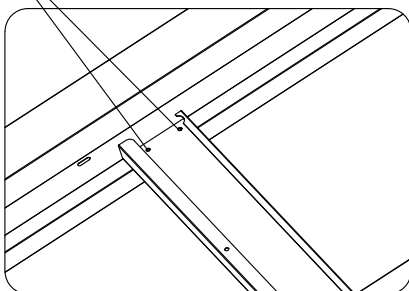
12-1





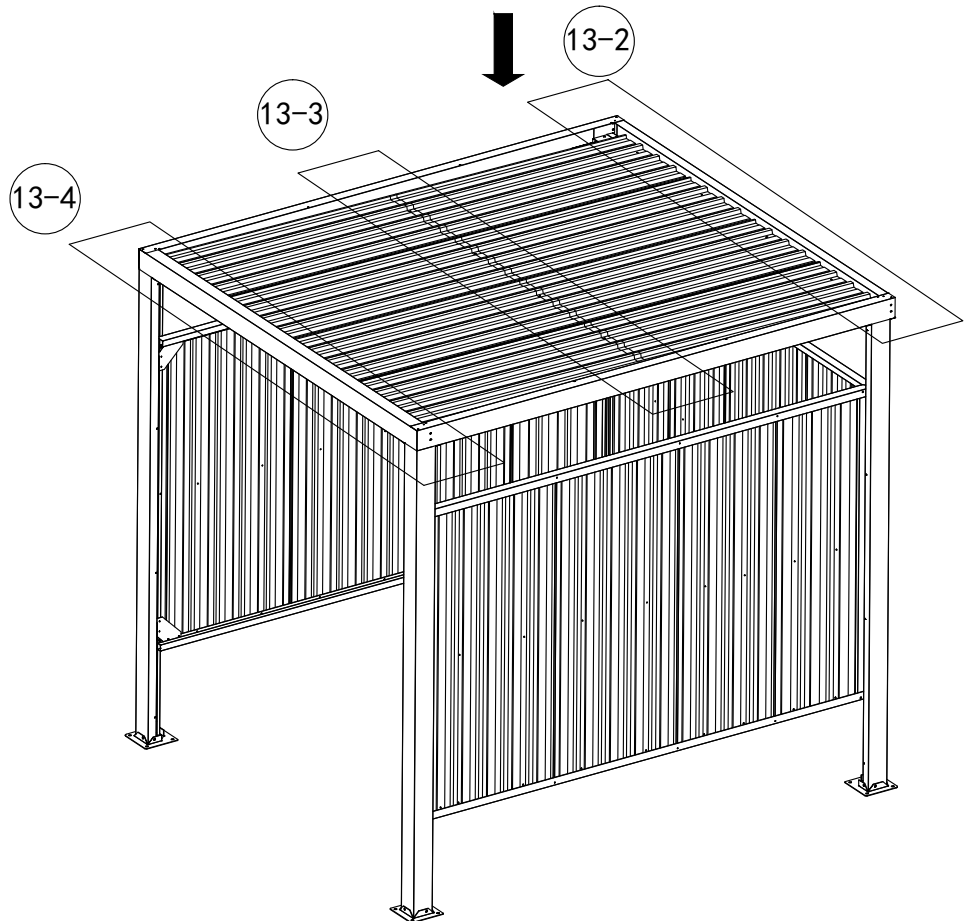
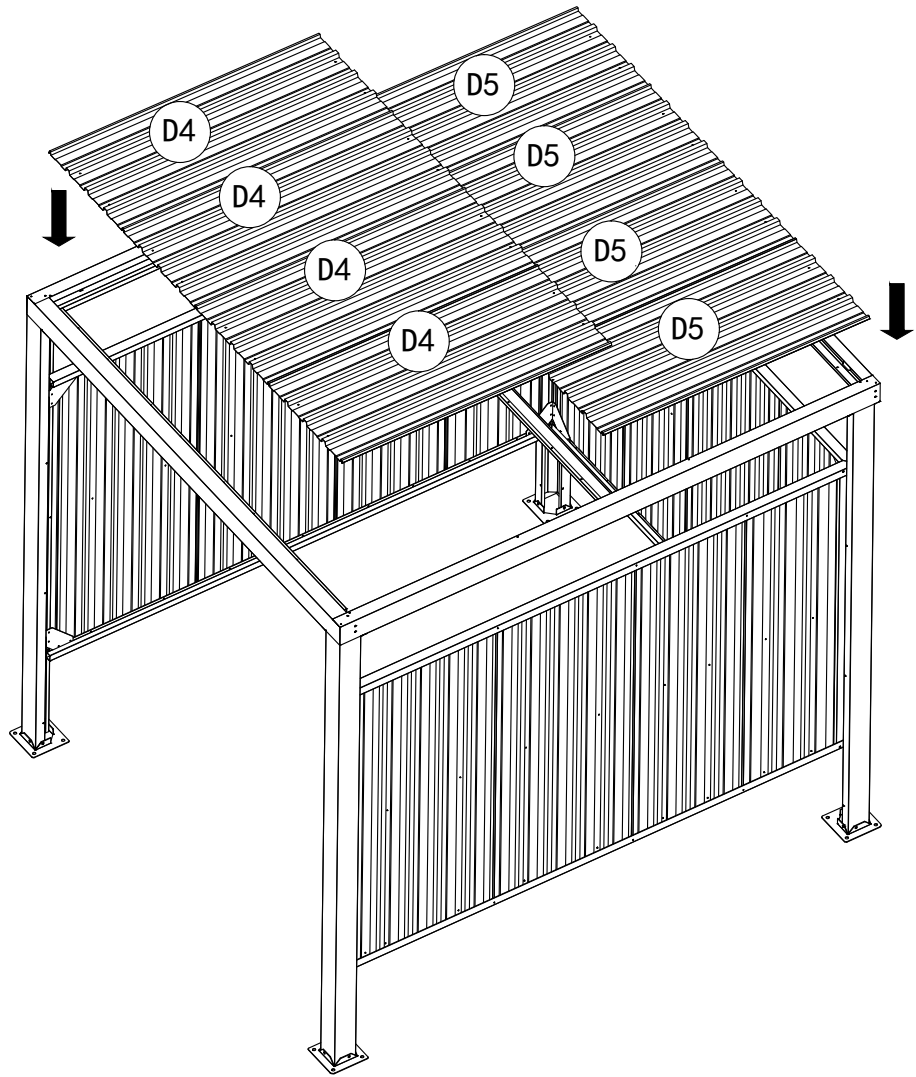
H1X2



X2

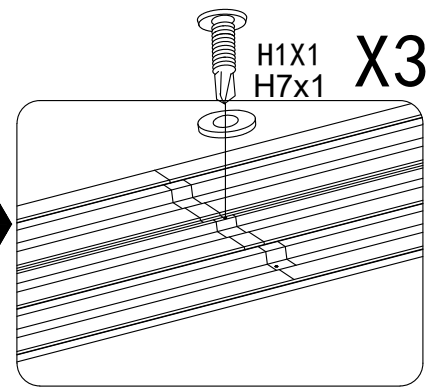
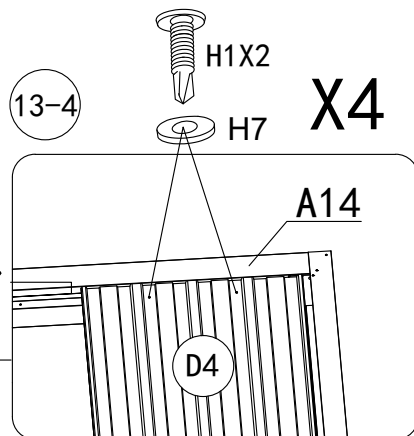
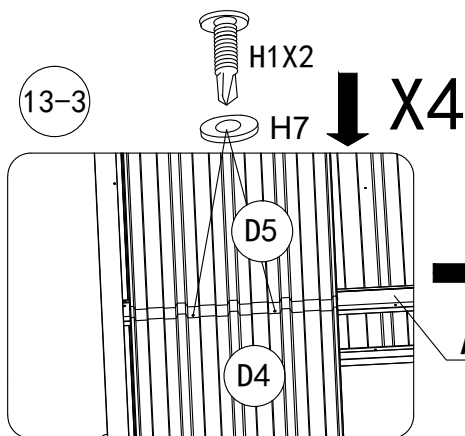
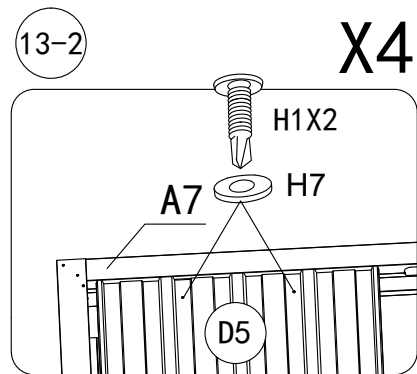
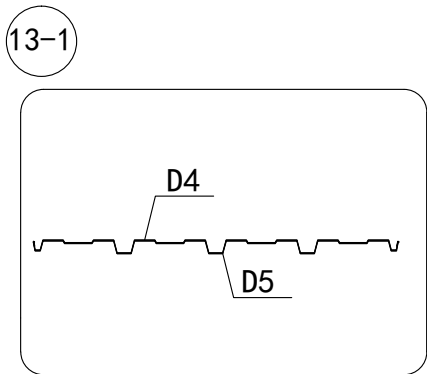
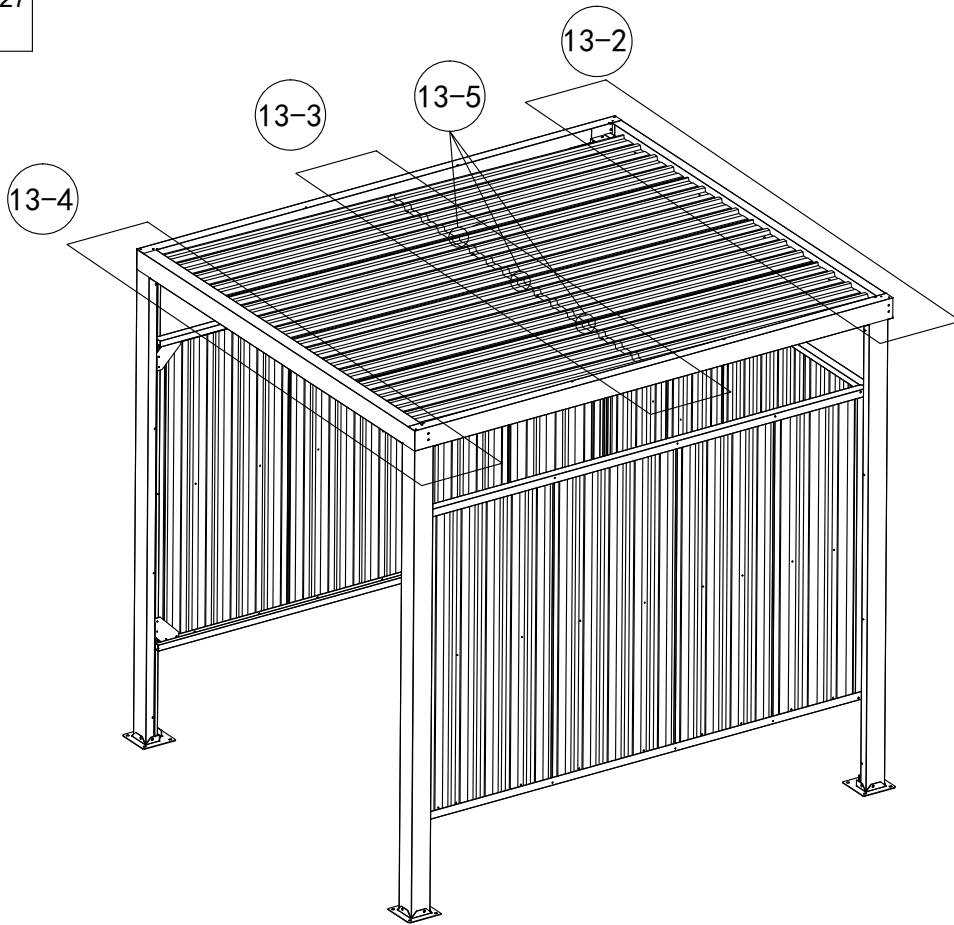
12-1



	H1	X24
	H7	X24



	H1	X27
	H7	X27





H1

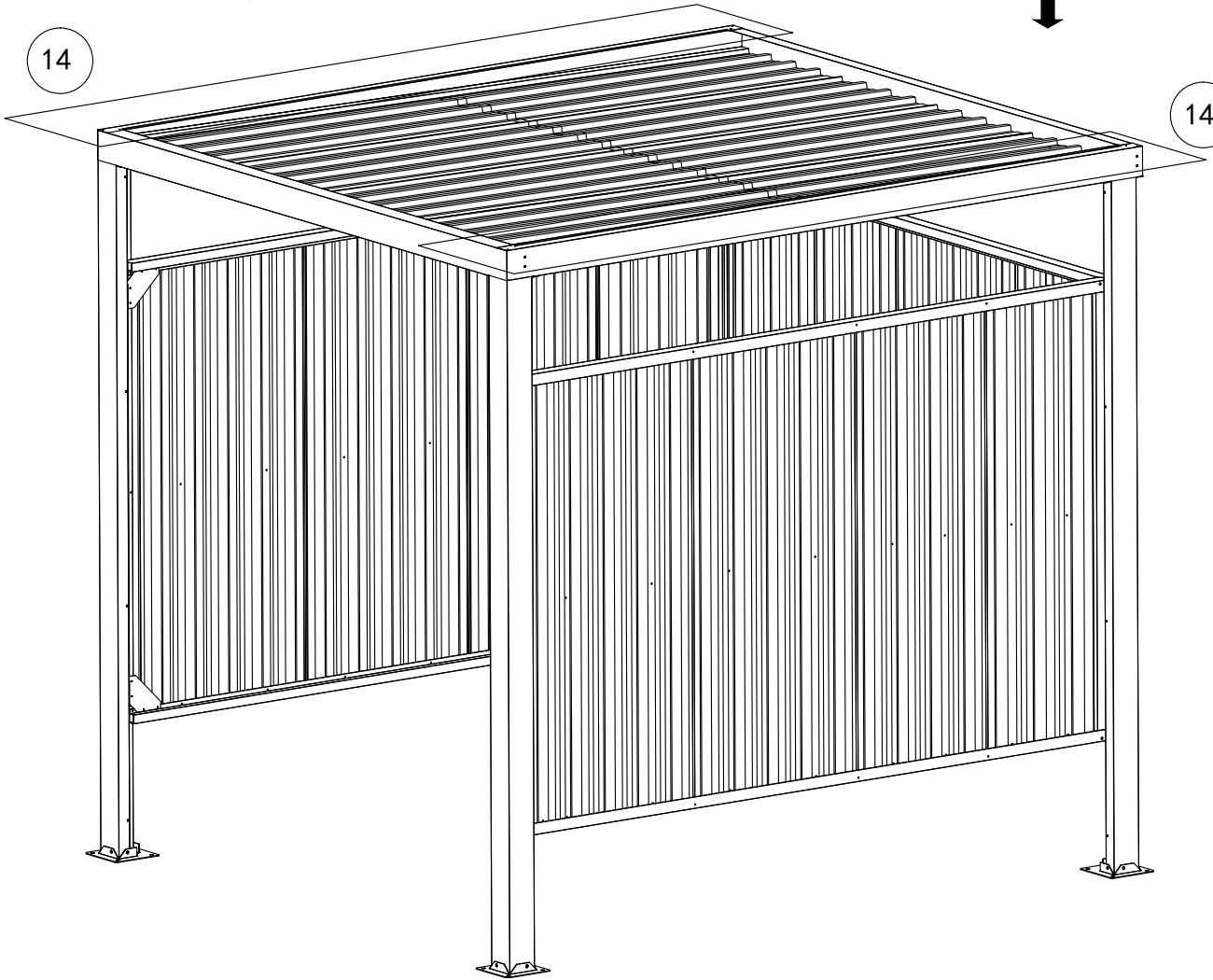
X8

A8

A9

14

14



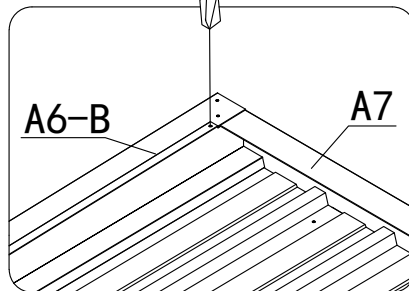
14-1

H1

X8

A6-B

A7



Contact information

Austria



Belgium



Croatia



Denmark



Estonia



Finland



France



Germany



Ireland



Italy



Latvia



Lithuania



Nederland



Norway



Poland



Portugal



Spain



Sweden



Switzerland



UK

