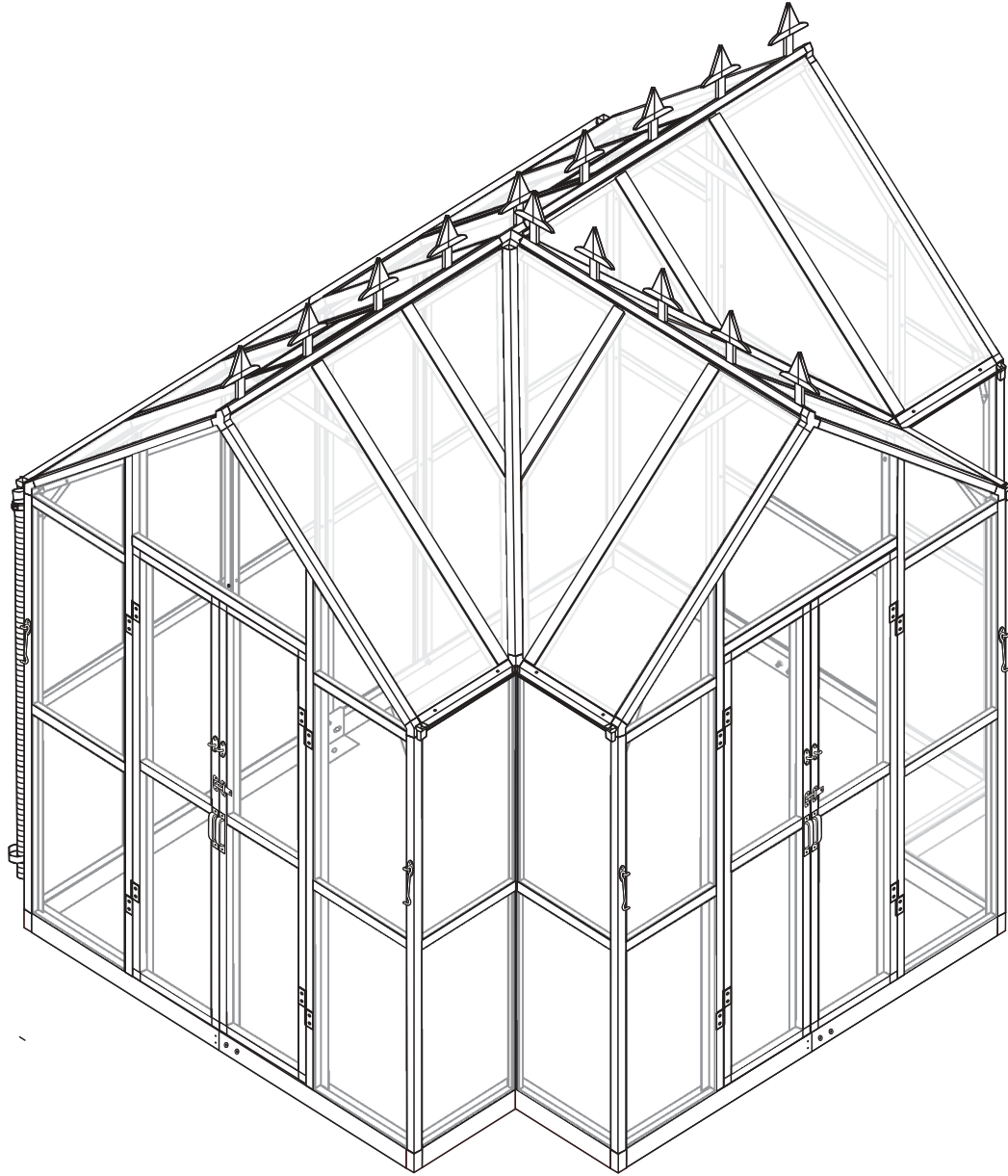
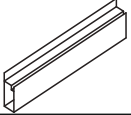
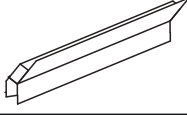
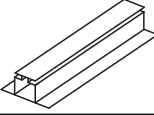
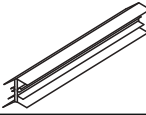
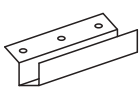
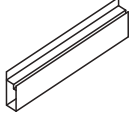
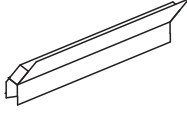
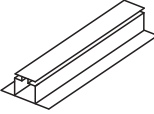
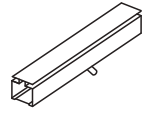
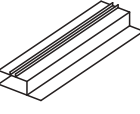
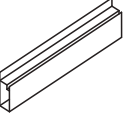
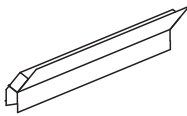
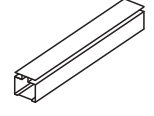
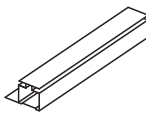
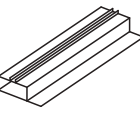
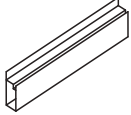
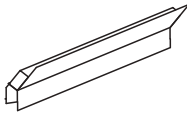
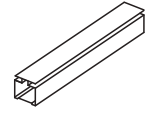
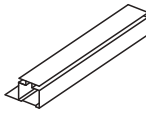
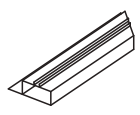
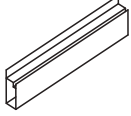
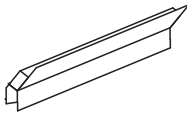
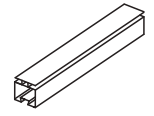
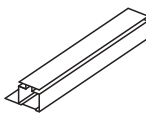
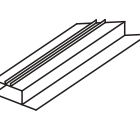
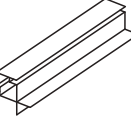
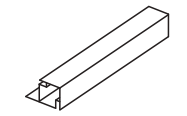
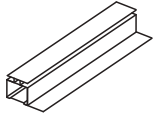
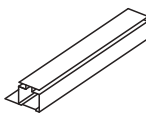
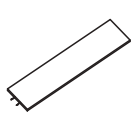
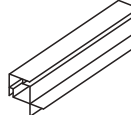
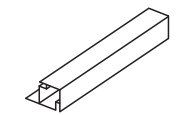
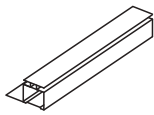
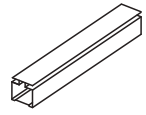
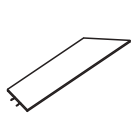
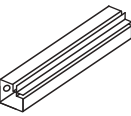
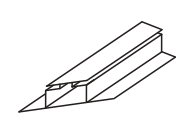
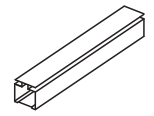
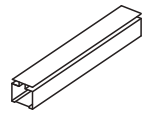
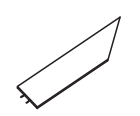
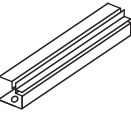
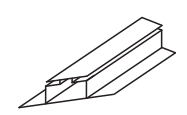
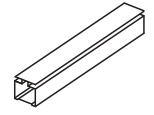
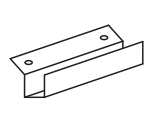
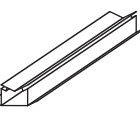
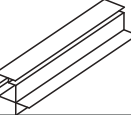
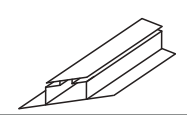
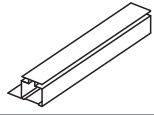
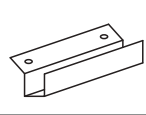
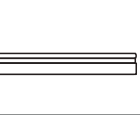
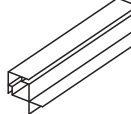
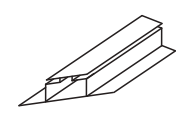
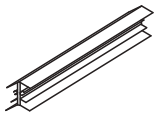
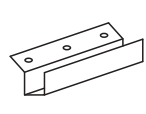
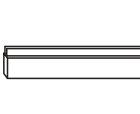


# CosyLifeStyle<sup>®</sup>

Manual  
for  
Orangery PC  
3,7x3,04x2,8m



# Aluminum Parts list

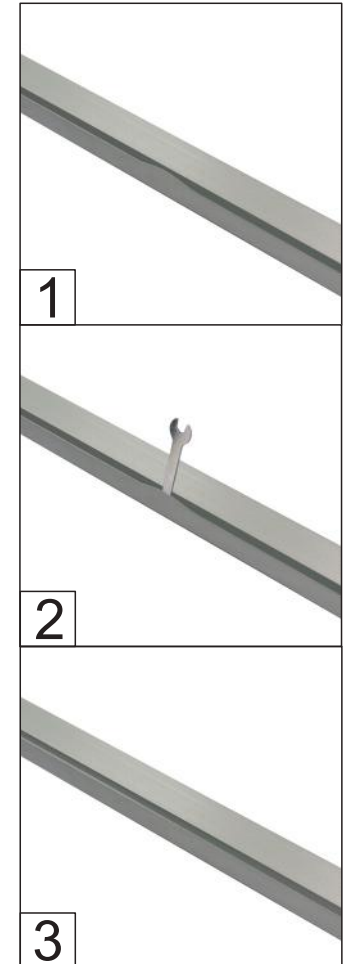
No.	Picture	Qty.	Size	No.	Picture	Qty.	Size	No.	Picture	Qty.	Size	No.	Picture	Qty.	Size	No.	Picture	Qty.	Size
1		1	180.3	6		1	160	14		4	186.5	20A		1	176.7	27D		1	181
2		1	180.3	6A		2	61.8	14A		1	186.5	21		2	58.4	28A		2	131.8
2A		4	61.8	6B		2	61.8	14B		4	61.7	22A		2	183.2	28B		2	131.8
3		3	116.1	6C		1	101.7	14C		6	58.4	22B		2	183.2	28C		2	69
4		3	116.1	6D		1	101.7	15		1	131.8	23A		2	183.2	28D		2	69
5A		2	186.5	8		3	130.8	16A		2	131.8	23B		2	183.2	29A		4	132
5B		2	186.5	9		3	130.8	16B		2	131.8	24		8	48.8	29B		2	67
5C		1	186.5	10		2	224.5	17		12	58.5	25		4	48.8	29C		2	67
5D		1	186.5	11		2	224.5	18		3	110	27A		2	64	30		2	174
5E		1	186.5	12		1	224.5	19		2	110	27B		2	64	30A		2	59
5F		1	186.5	13		1	224.5	20		2	176.7	27C		1	181	30B		2	59

# Parts list

No.	Picture	Qty.	Size	No.	Picture	Qty.	Size	No.	Picture	Qty.	Size	No.	Picture	Qty.	Size
30C		4	56	32		6		37		16	M6*7	52		2	
46A		5	60	32A		1		40		8	M4*12	53		2	
46B		1	60	32B		1		41		18	M6*9	54		1	
46C		1	86.5	33A		3		42		201	M6*12	54A		17	
46D		4	122.5	33B		3		42A		41	M6*12	55		2	
46E		2	62	33C		2		44		16	M6*26	55A		3	
46F		1	128	34		3		45		10	M6*35	56		4	M4*10
50		1	140	34A		1		45A		10	M6*45	57		2	
				35		6		45B		3	M6*65				
				35A		1		46		6	20				
				38		1		49		1					

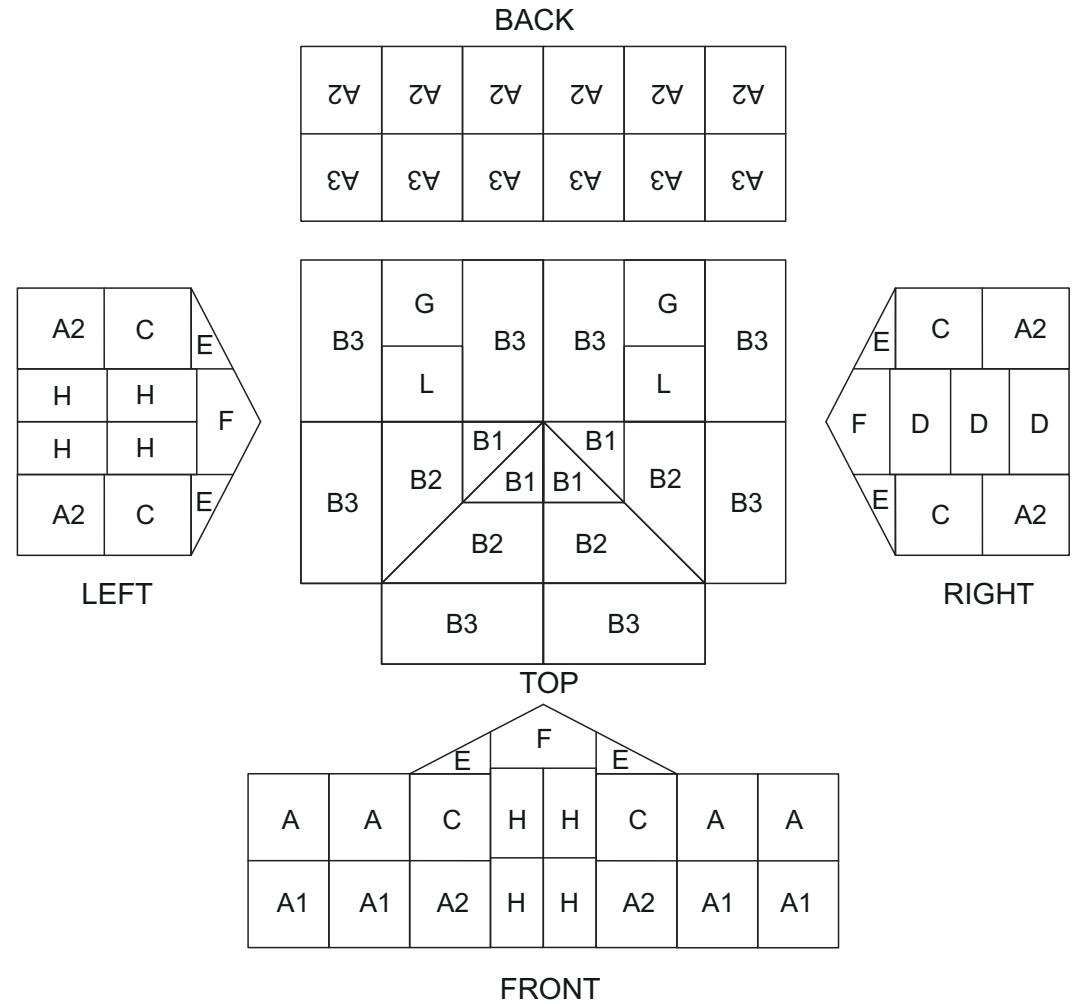
## Warning:

If the aluminum part curved as below pic, pls use the wrench to restore it.

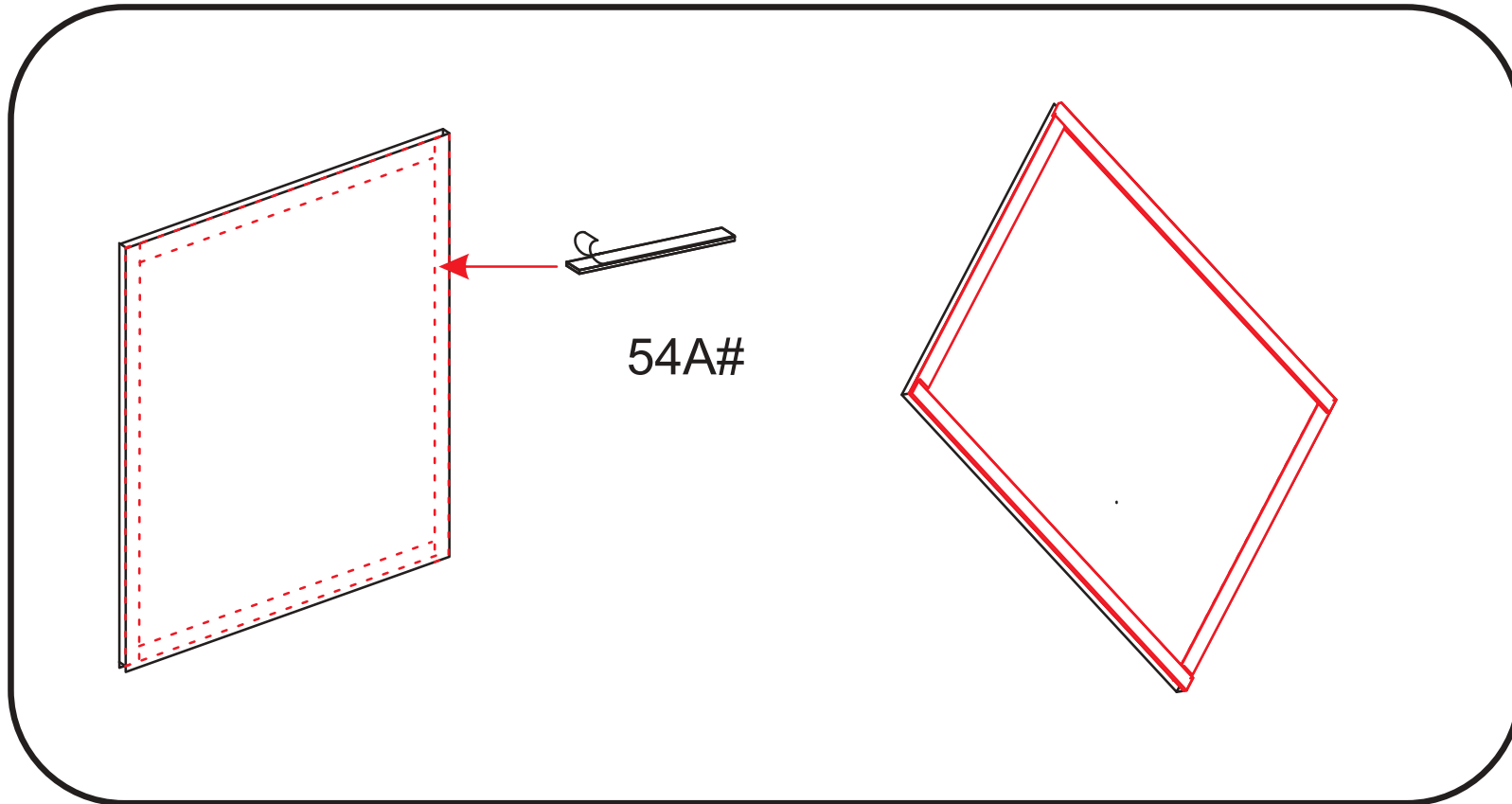


# Panels

No.	Picture	Qty.	Size	No.	Picture	Qty.	Size
A		4	95.5*63.2	C		6	90.8*60
A1		4	93.5*63.2	D		3	111.5*62.9
A2		12	93.5*60	E		6	60*37.8 3.8*1
A3		6	95.5*60	F		3	111.5*65.6 33.7*1
B1		4	64.6*55.4 1.25*1	G		2	71*60
B2		4	133.8*66.9 60*2.1	H		8	92*50.3
B3		8	133.8*60	L		2	57*60

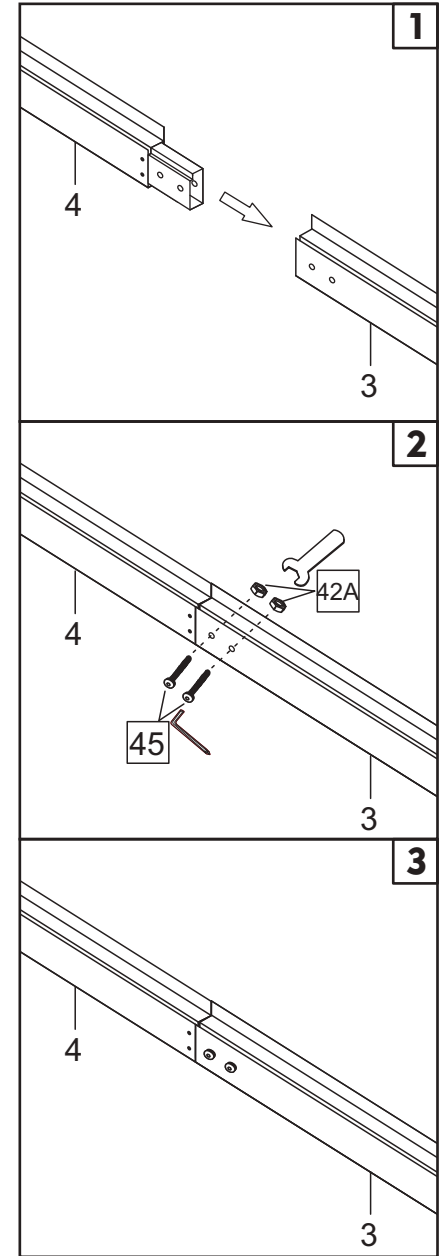
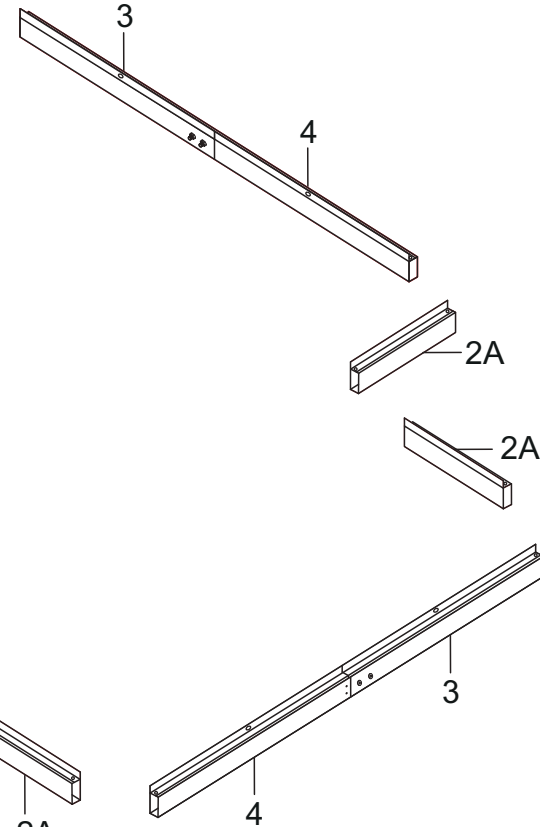
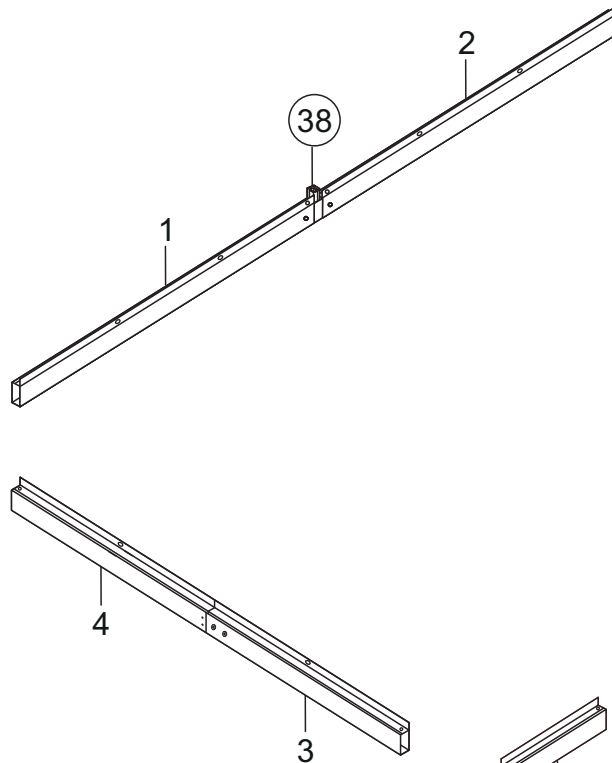
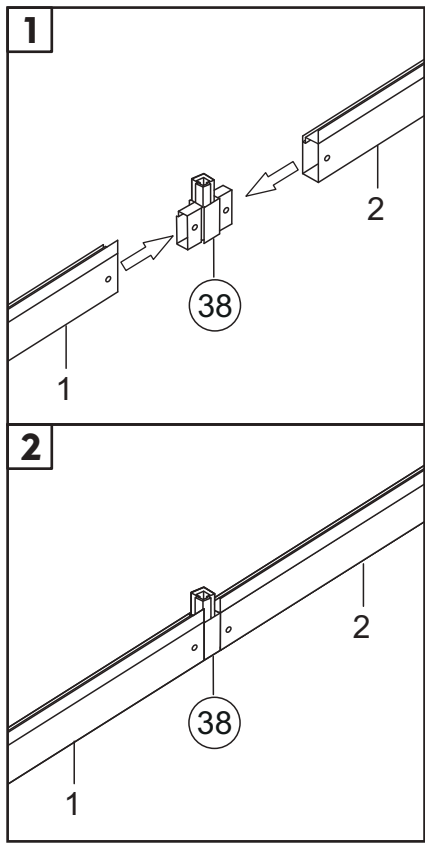


# Important Note



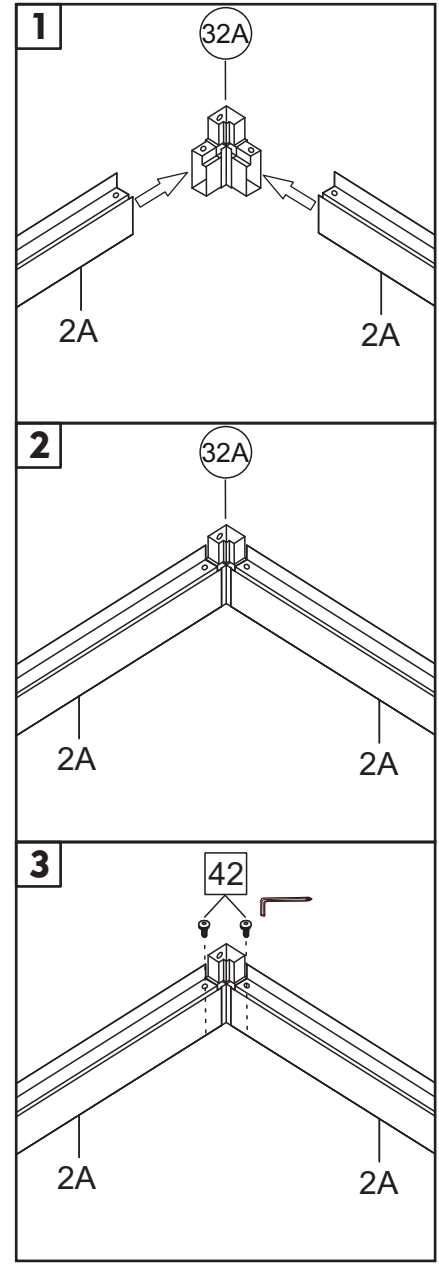
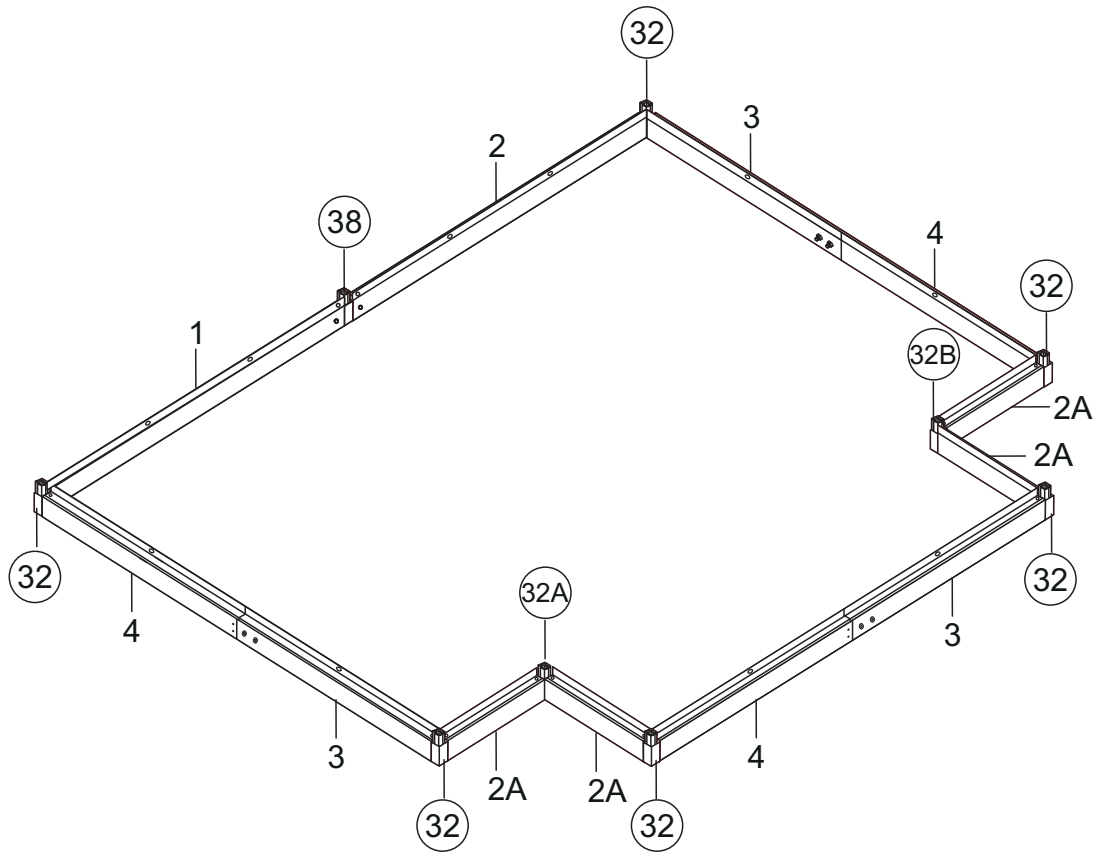
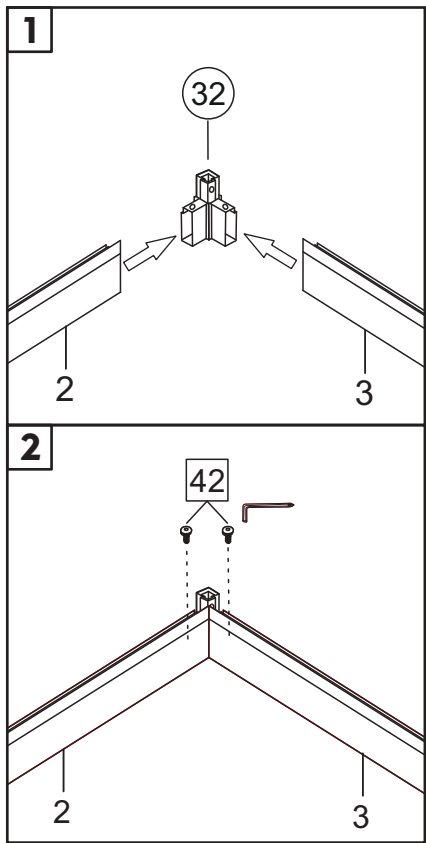
1. The PC panels installed on the side, #A, #A1, #A2, #A3, #C, #D, #E, #F, #H, need to be adhered with foam tape as shown in the figure.

# STEP 1



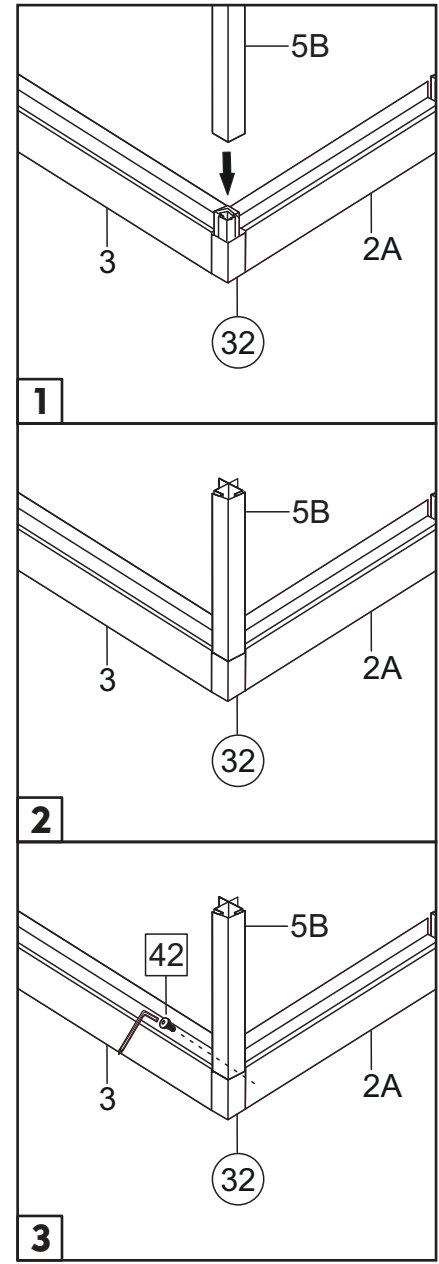
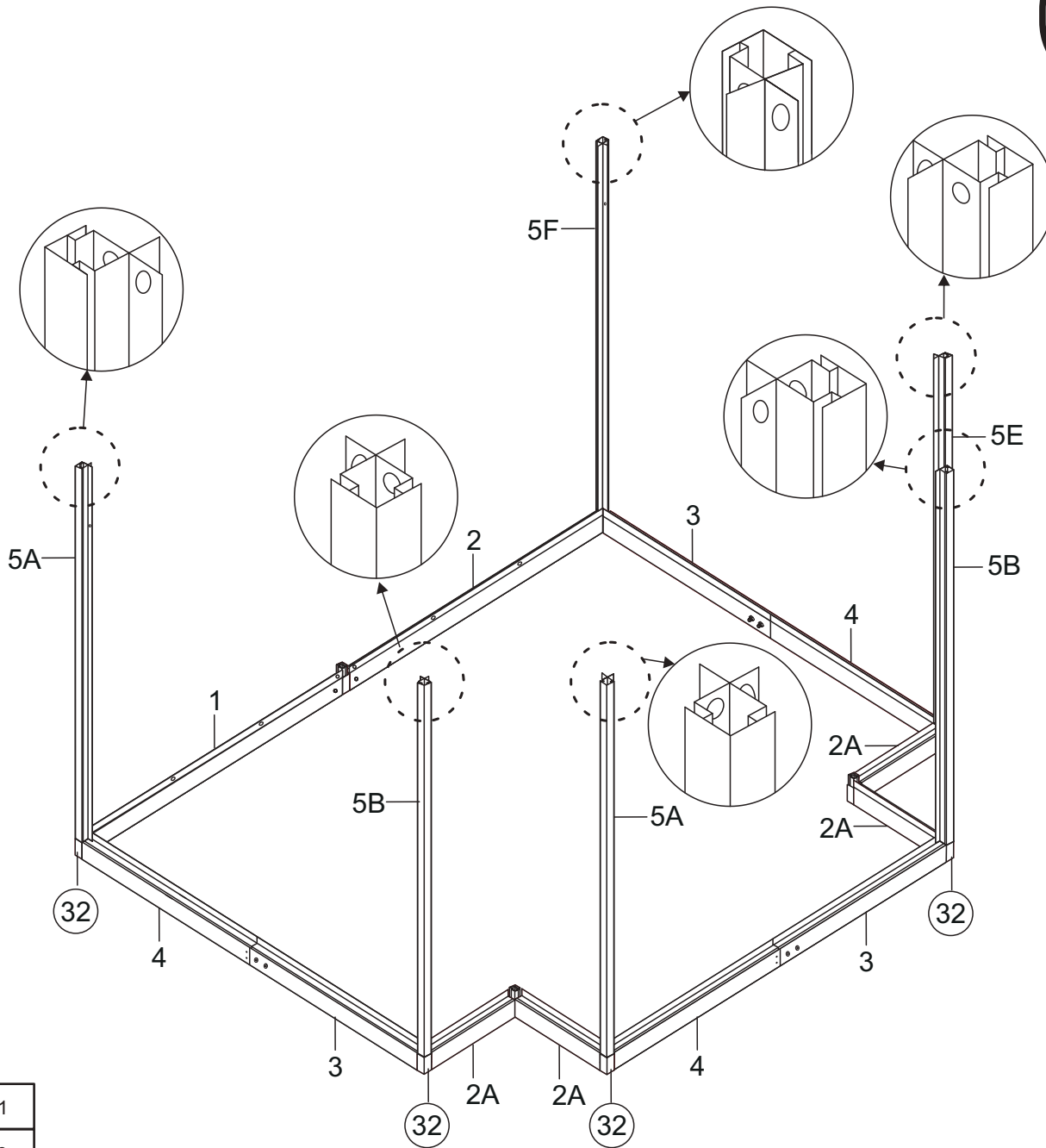
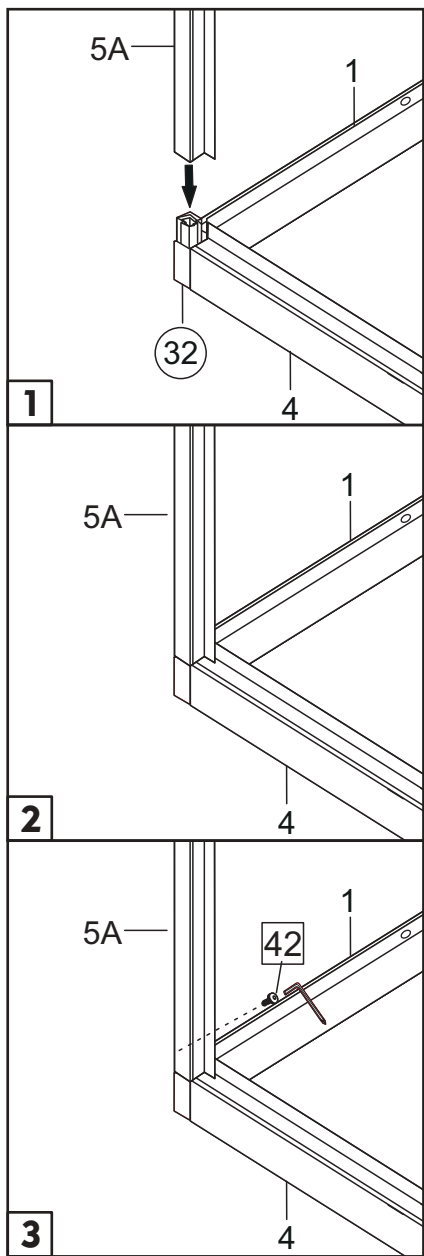
Picture	NO.	Qty.
	1	1
	2	1
	2A	4
	3	3
	4	3
	38	1
	45	6
	42A	6

# STEP 2



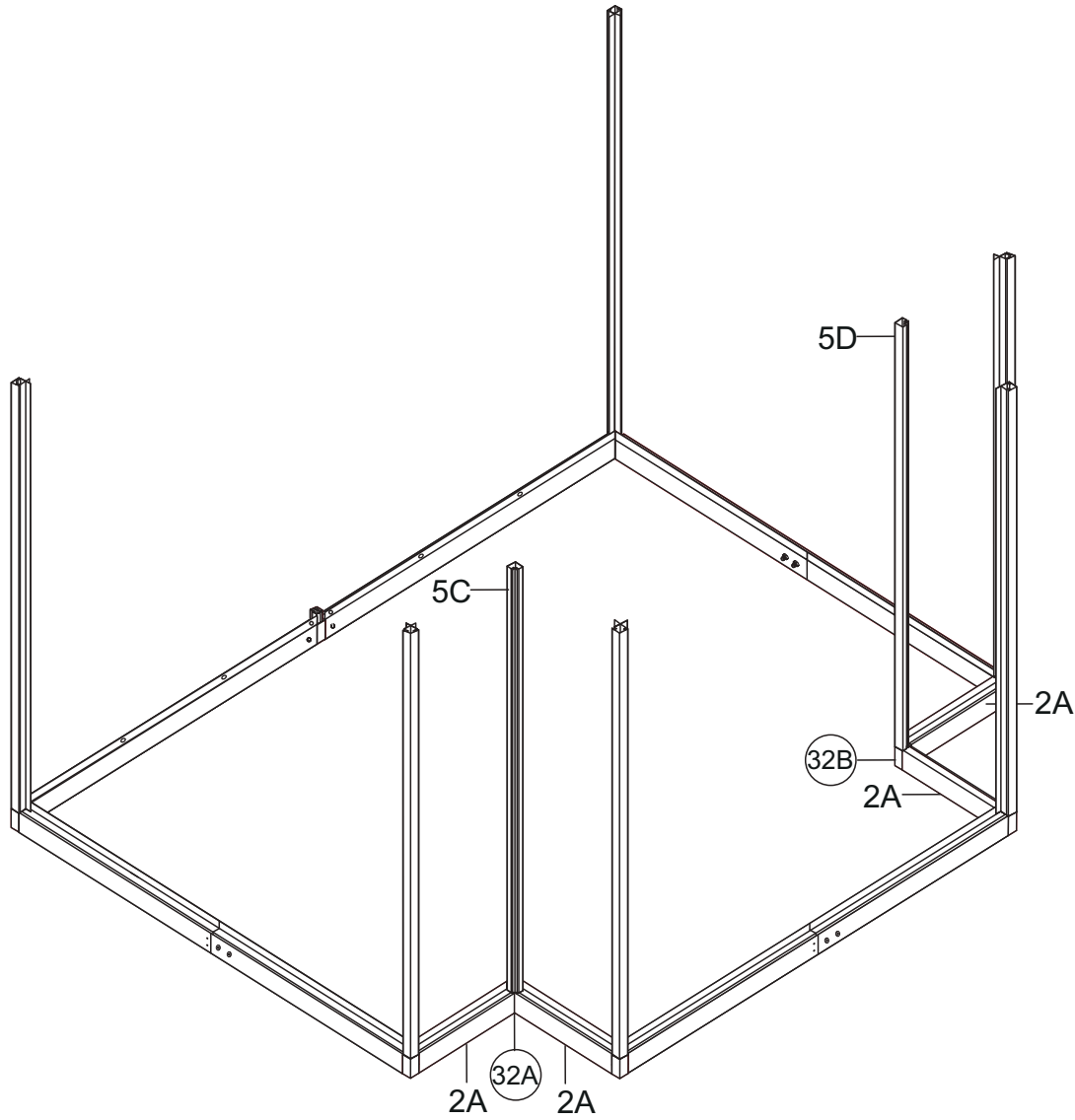
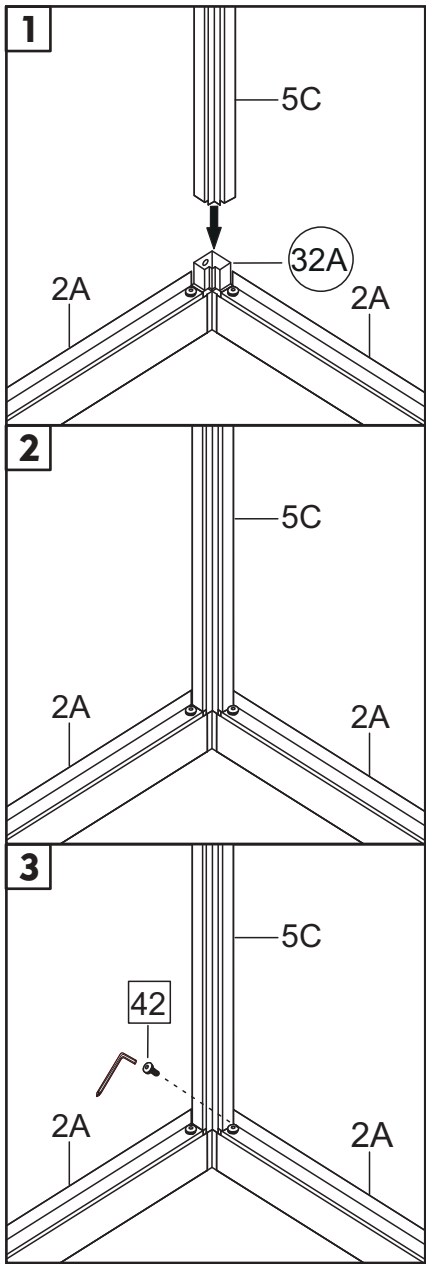
Picture	NO.	Qty.
	32	6
	32A	1
	32B	1
	42	16

# STEP 3



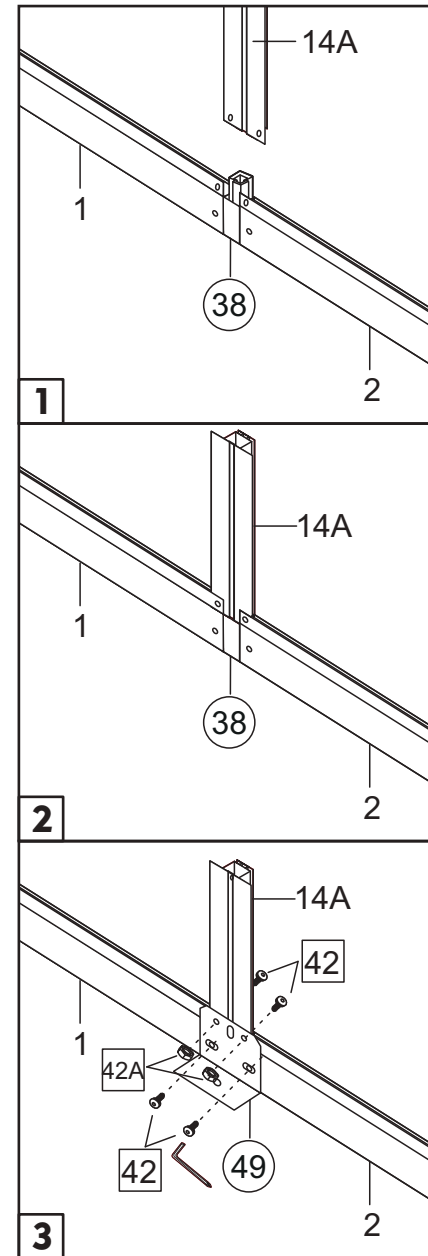
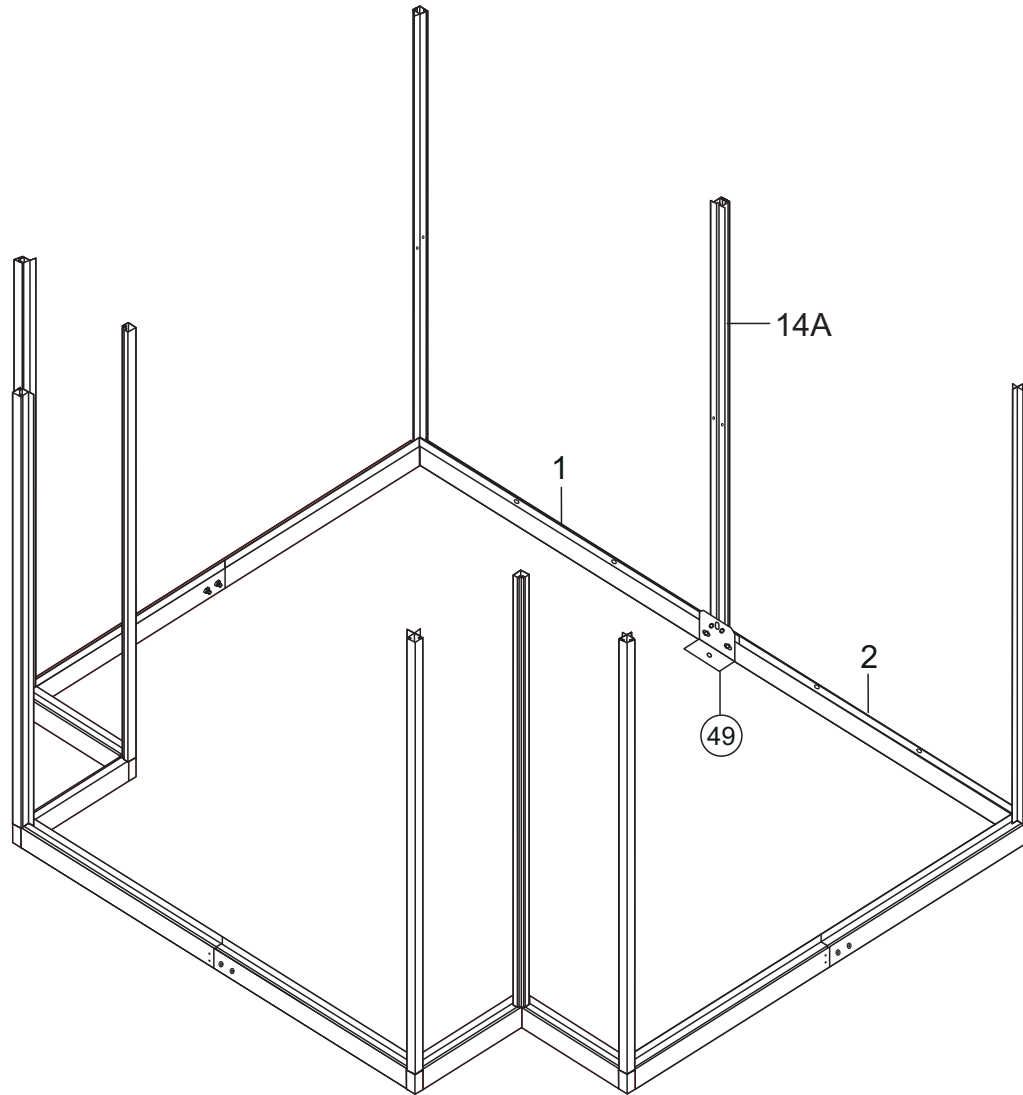
Picture	NO.	Qty.	Picture	NO.	Qty.
	5A	2		5F	1
	5B	2		42	6
	5E	1			

# STEP 4



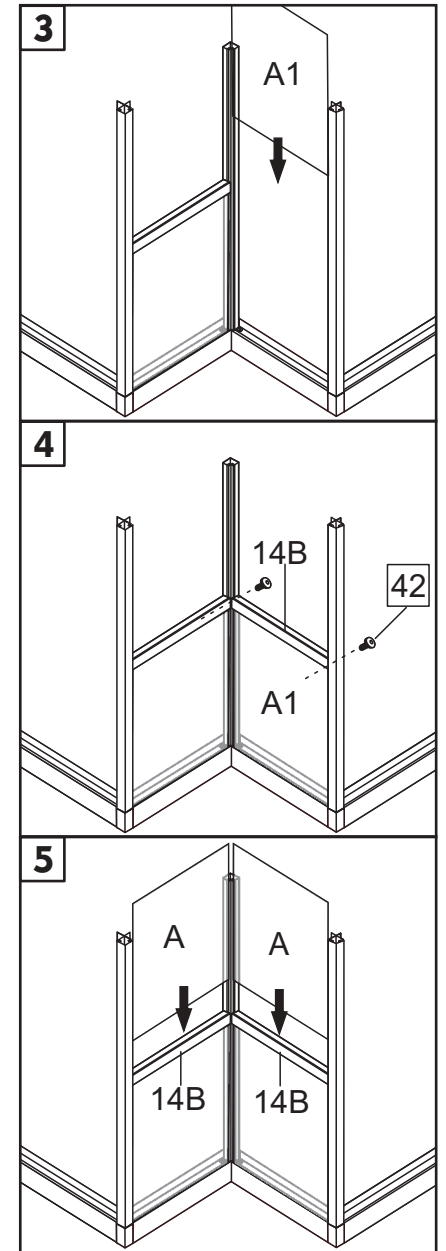
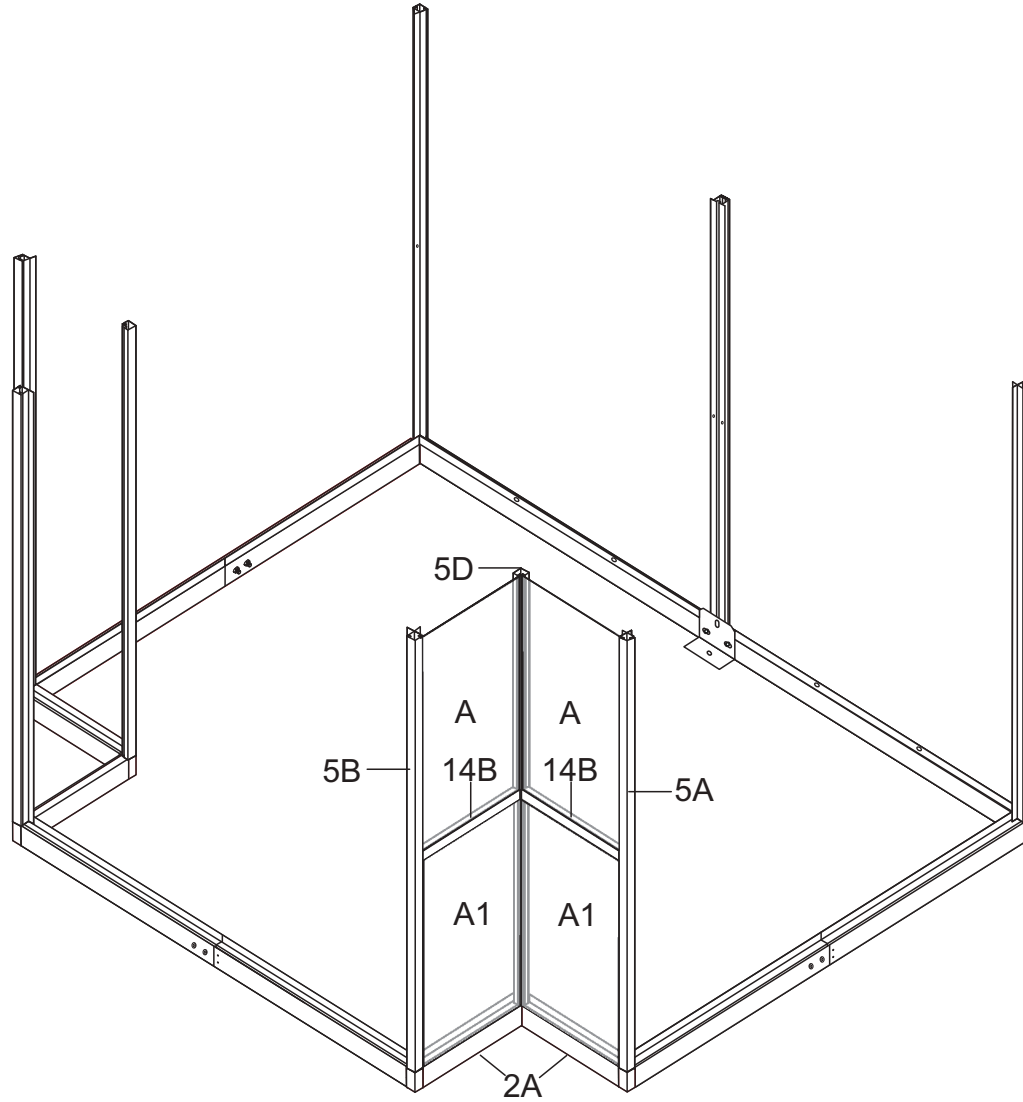
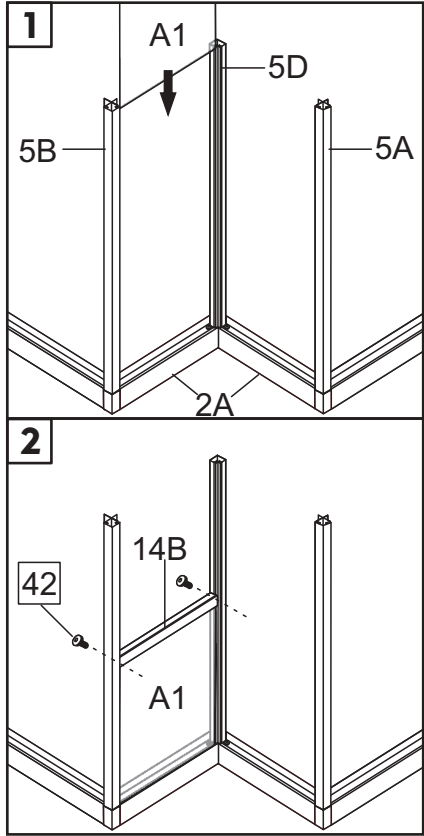
Picture	NO.	Qty.
	5C	1
	5D	1
	42	2

# STEP 5



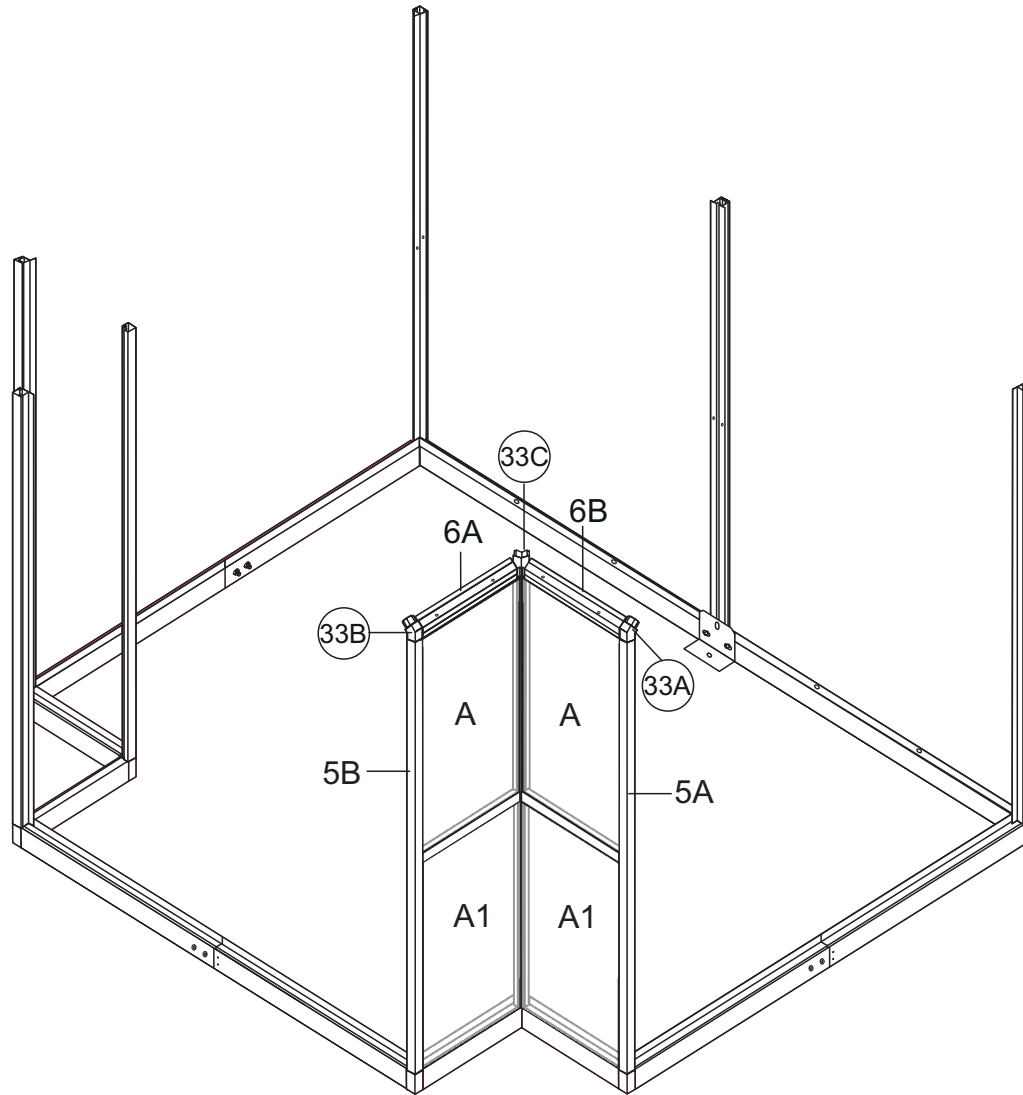
Picture	NO.	Qty.
	14A	1
	42	4
	42A	2
	49	1







# STEP 6

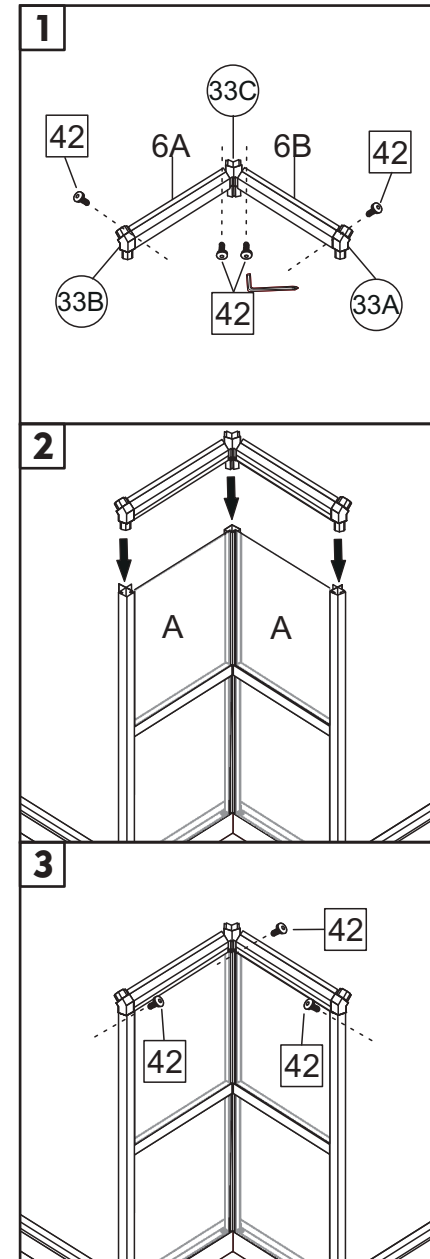


Picture	NO.	Qty.
	14B	2
	42	4
	A1	2
	A	2

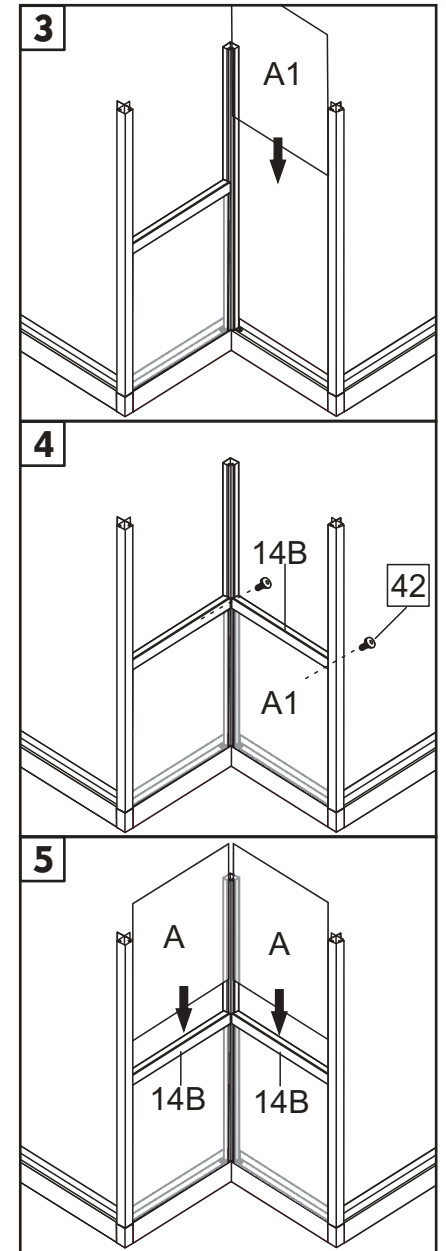
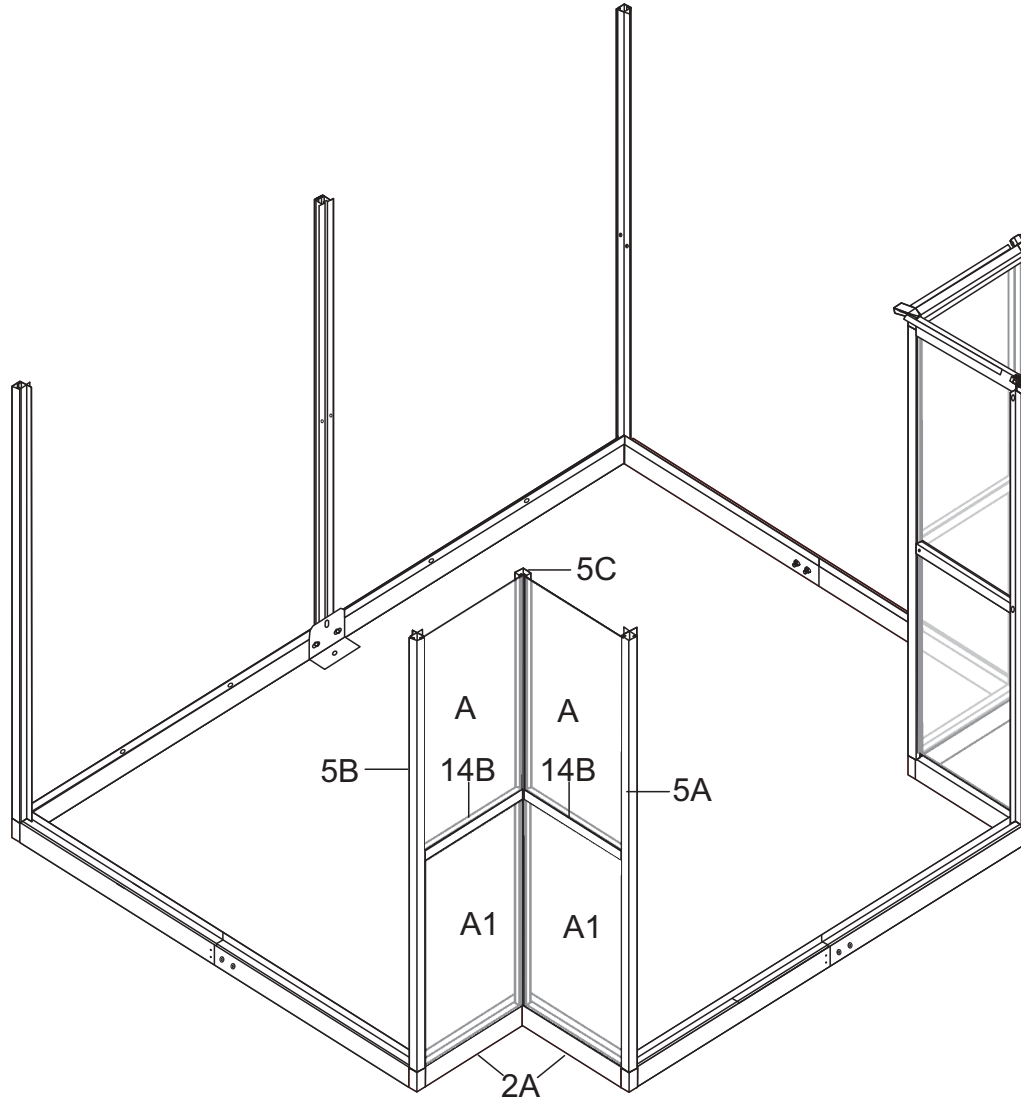
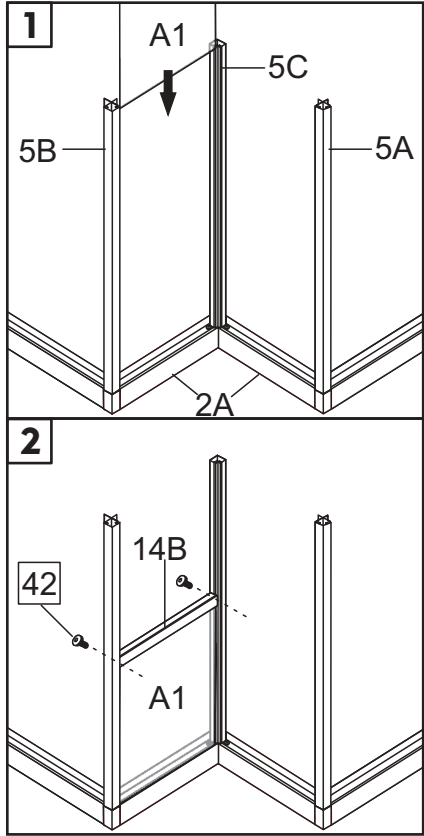
# STEP 7







Picture	NO.	Qty.
	6A	1
	6B	1
	33A	1
	33B	1
	33C	1
	42	7

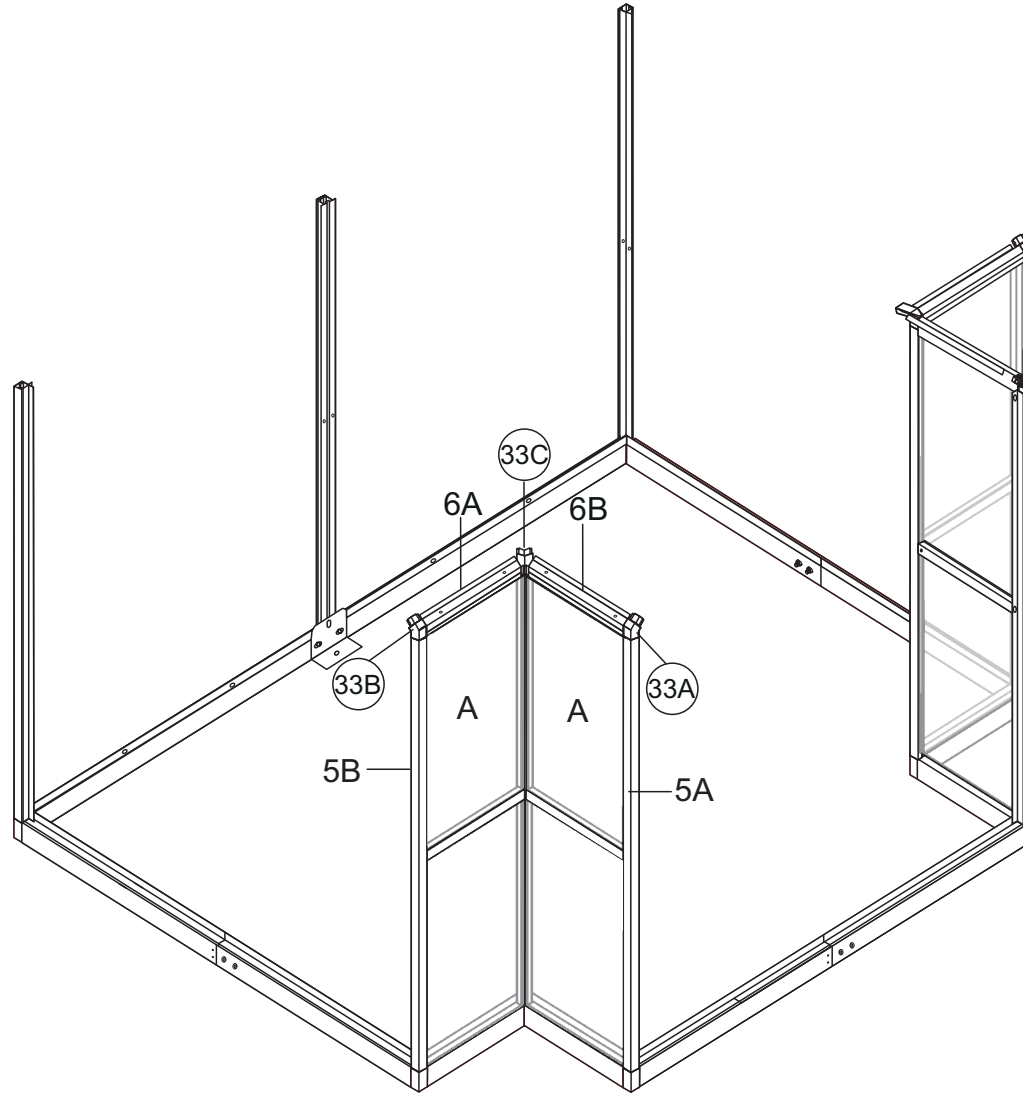







# STEP 8

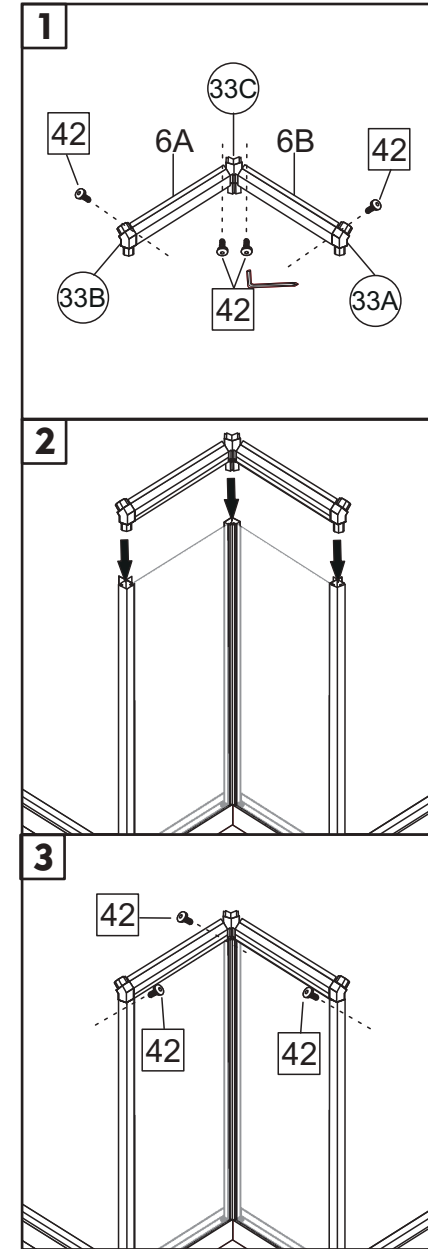


Picture	NO.	Qty.
	14B	2
	42	4
	A1	2
	A	2

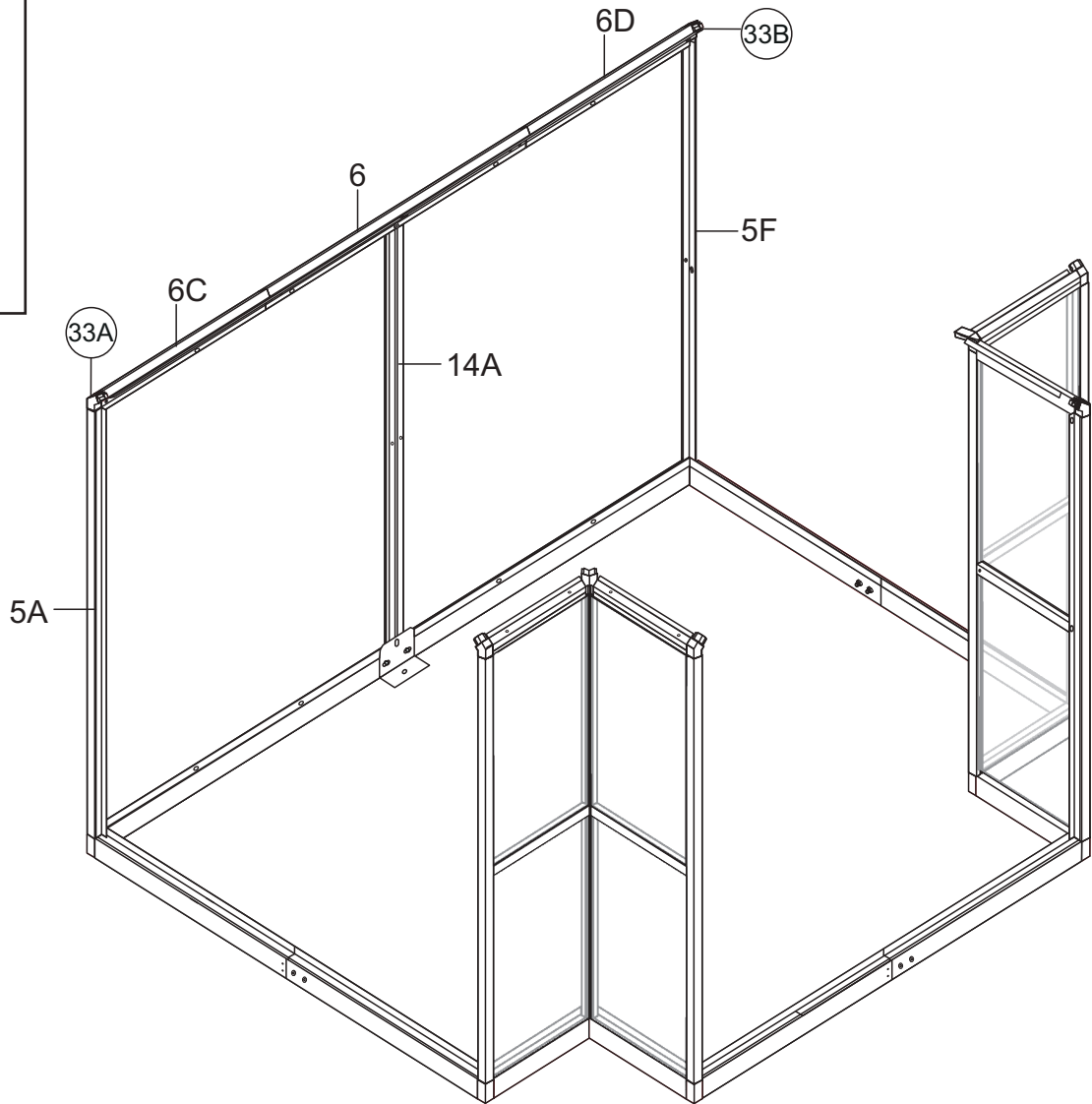
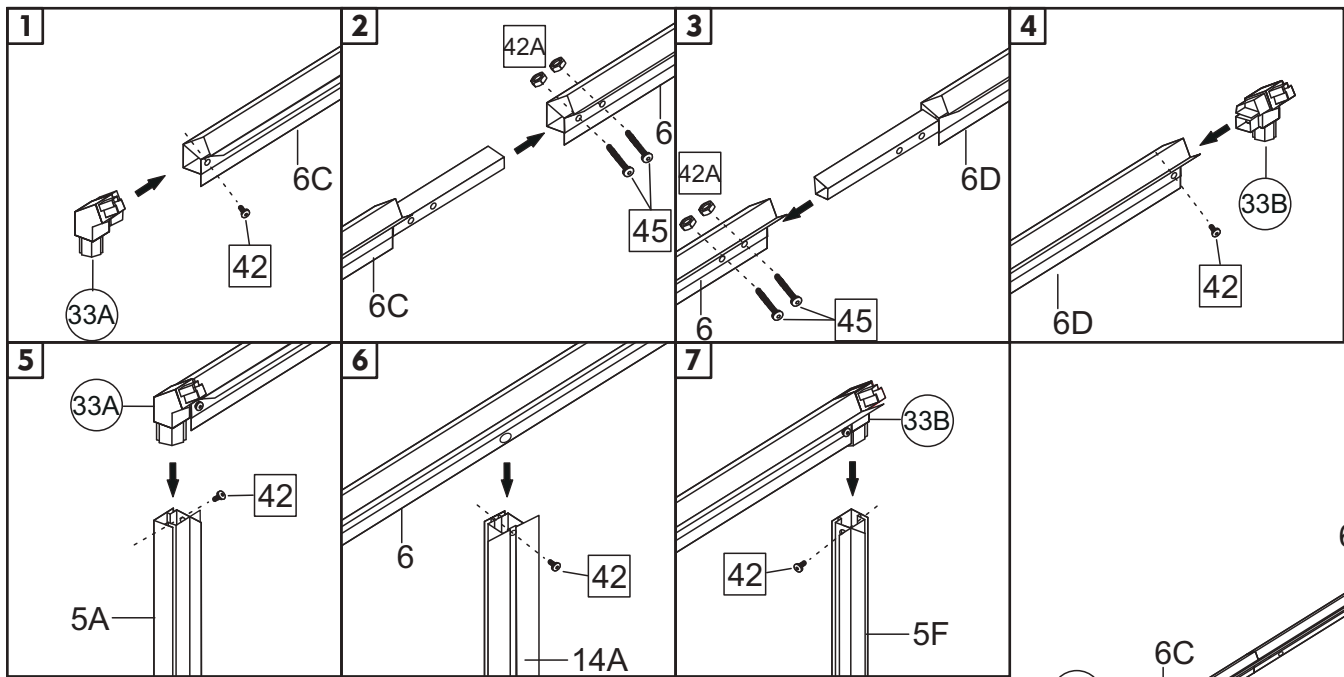
# STEP 9



Picture	NO.	Qty.
	6A	1
	6B	1
	33A	1
	33B	1
	33C	1
	42	7

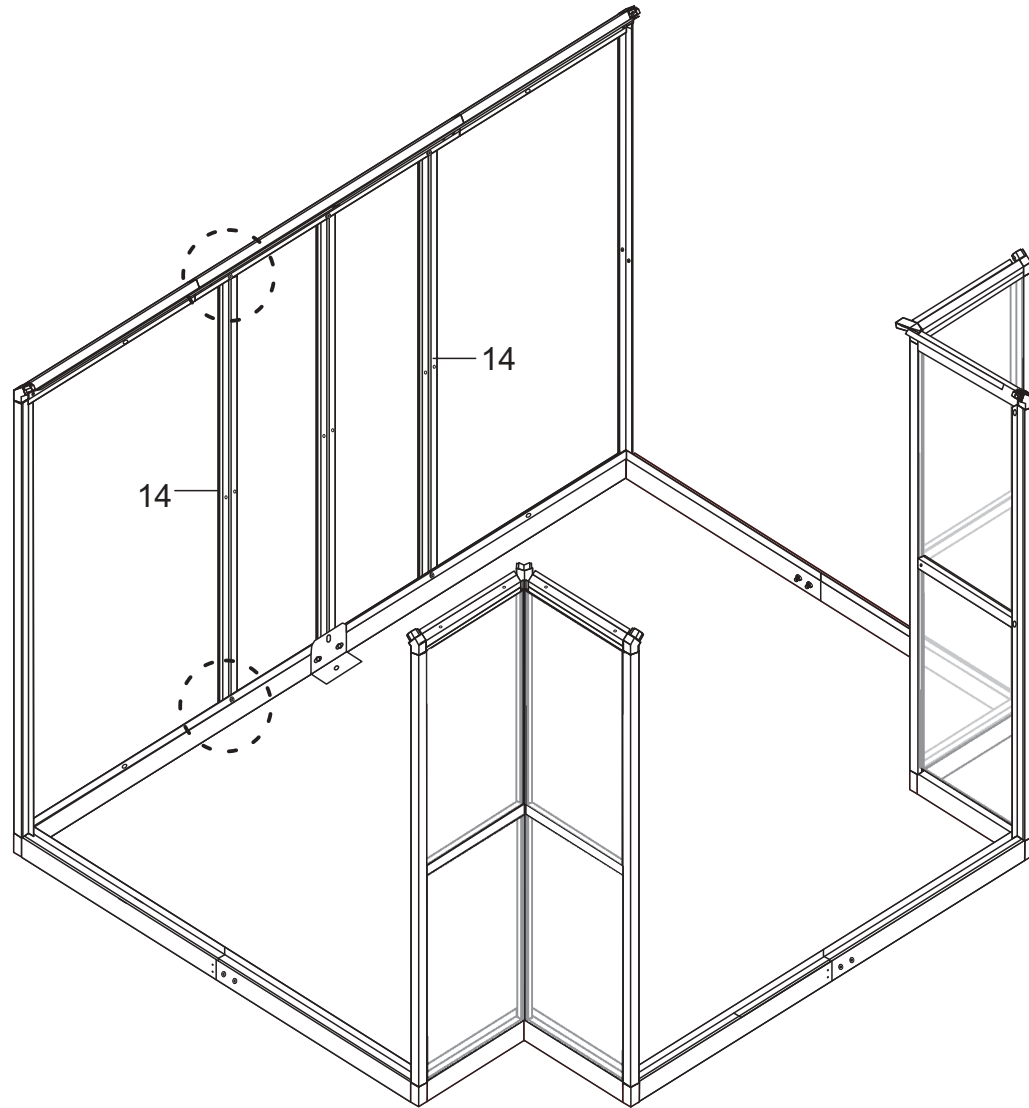
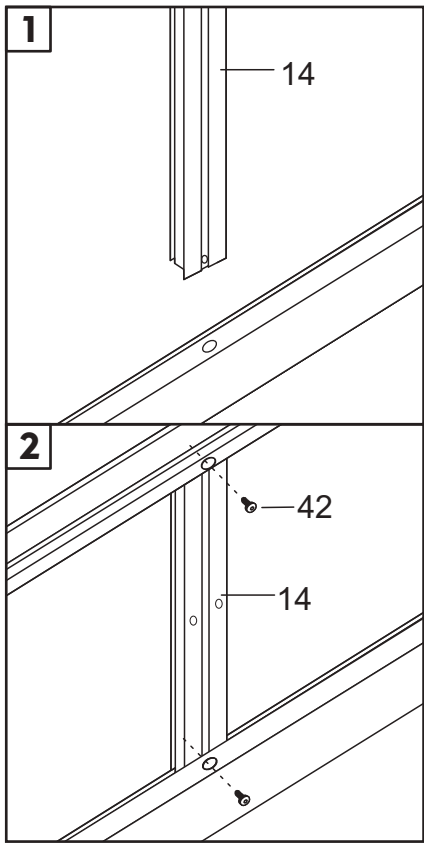




# STEP 10



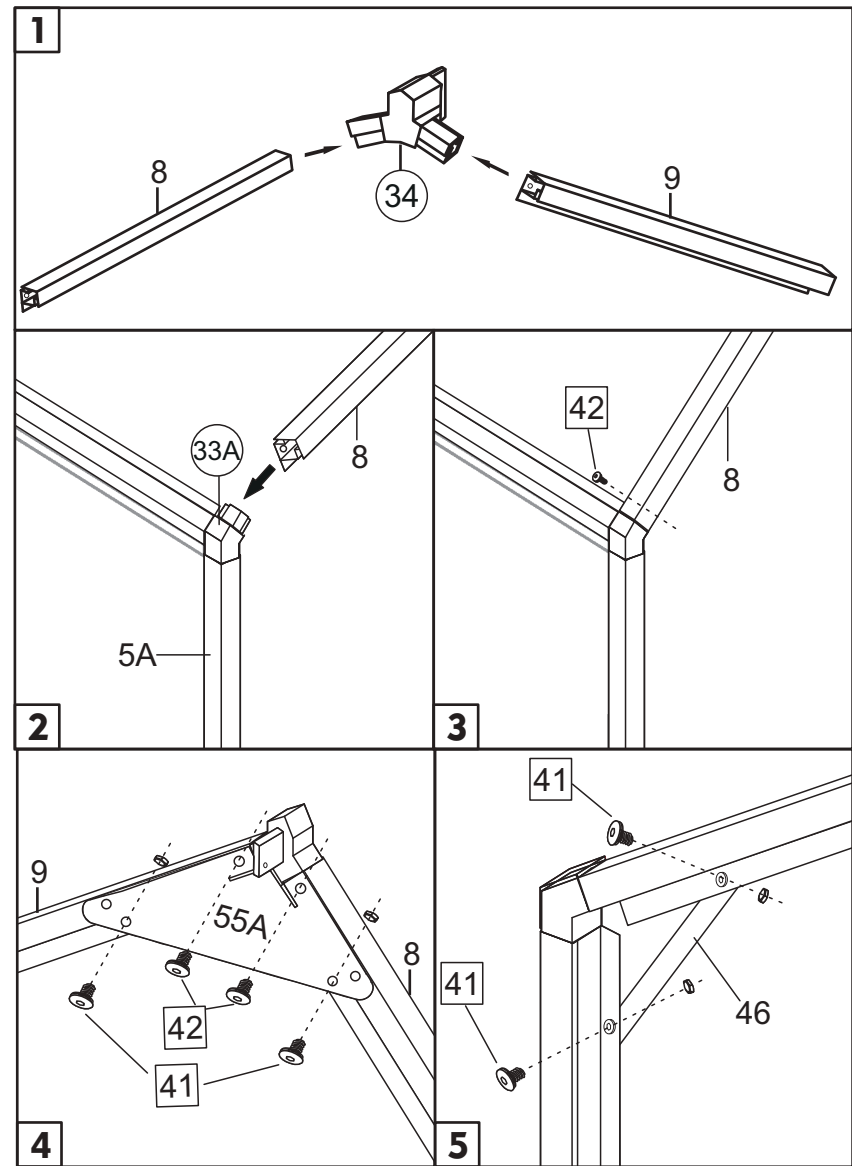
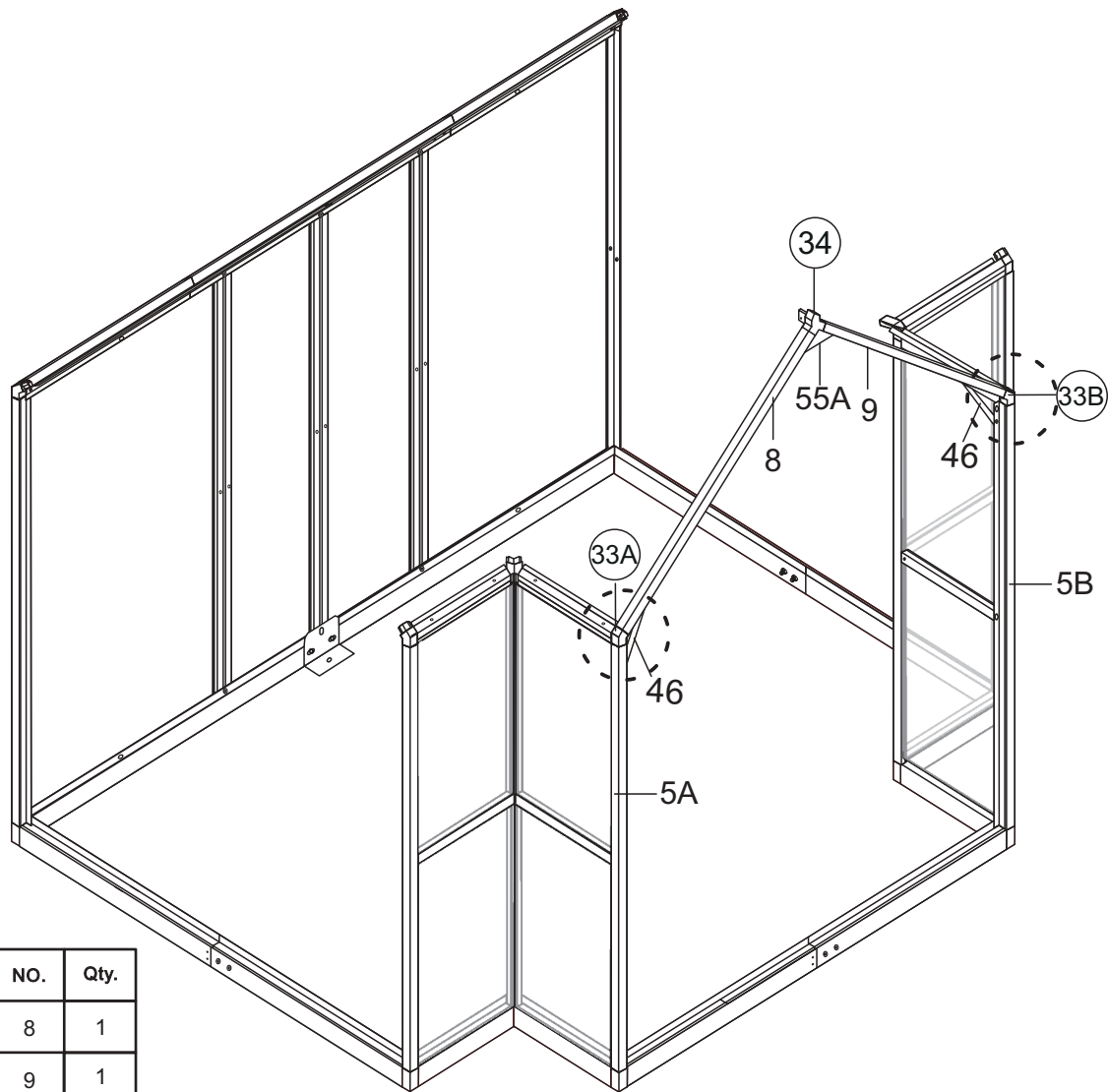
Picture	NO.	Qty.
	6	1
	6C	1
	6D	1
	33A	1
	33B	1
	42	3
	45	4
	42A	4

# STEP 11



Picture	NO.	Qty.
	14	2
	42	4

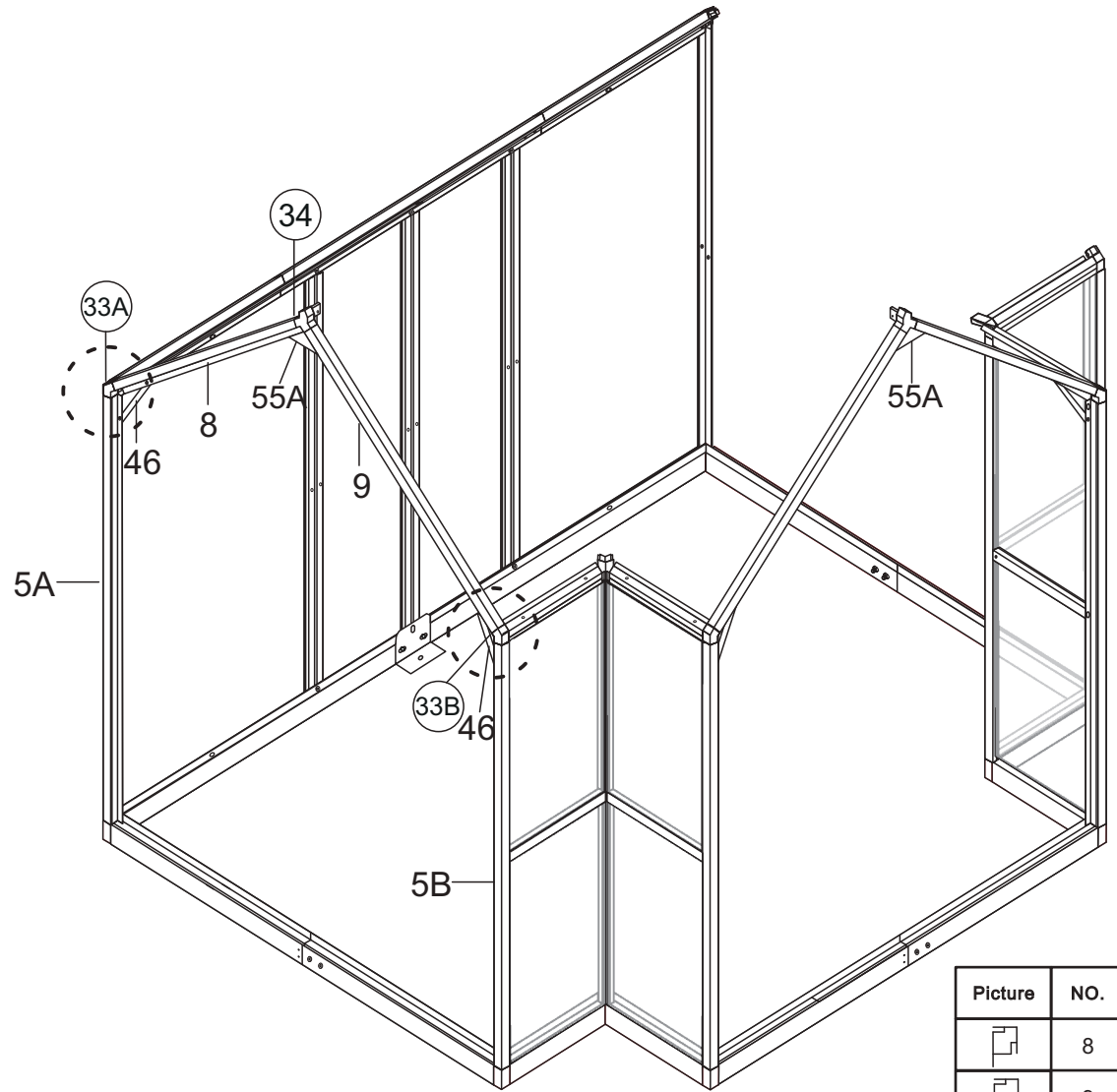
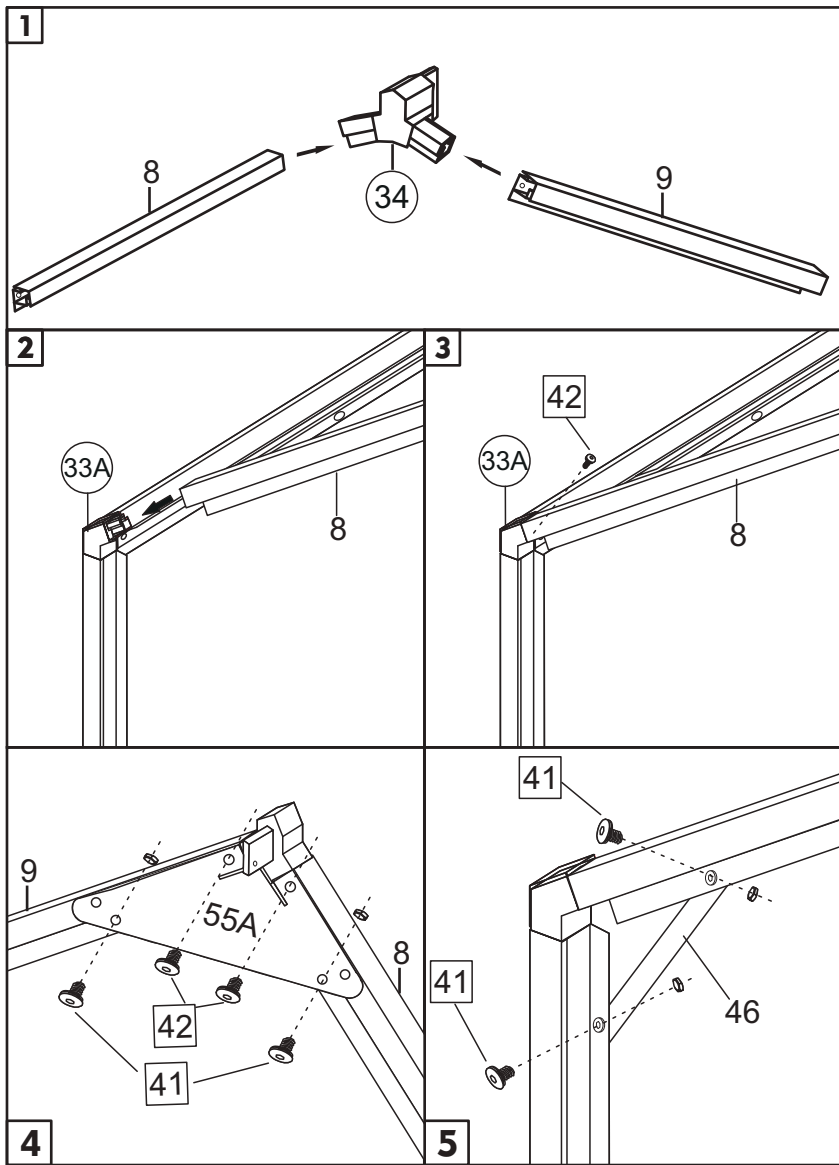
# STEP 12



Picture	NO.	Qty.
	8	1
	9	1
	34	1
	42	4
	41	6

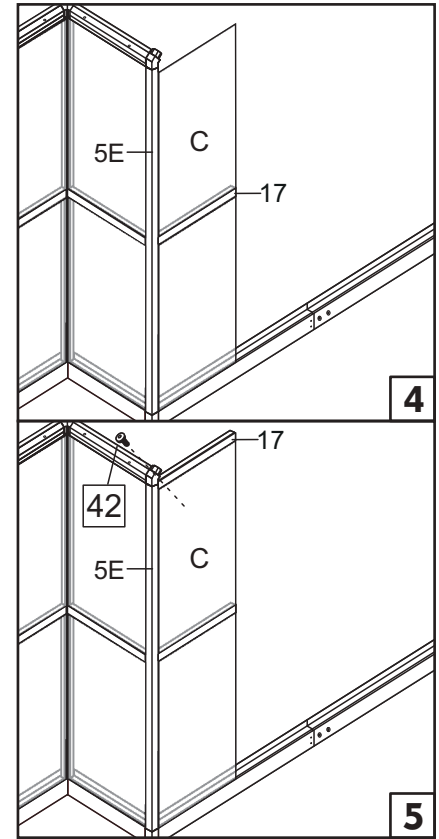
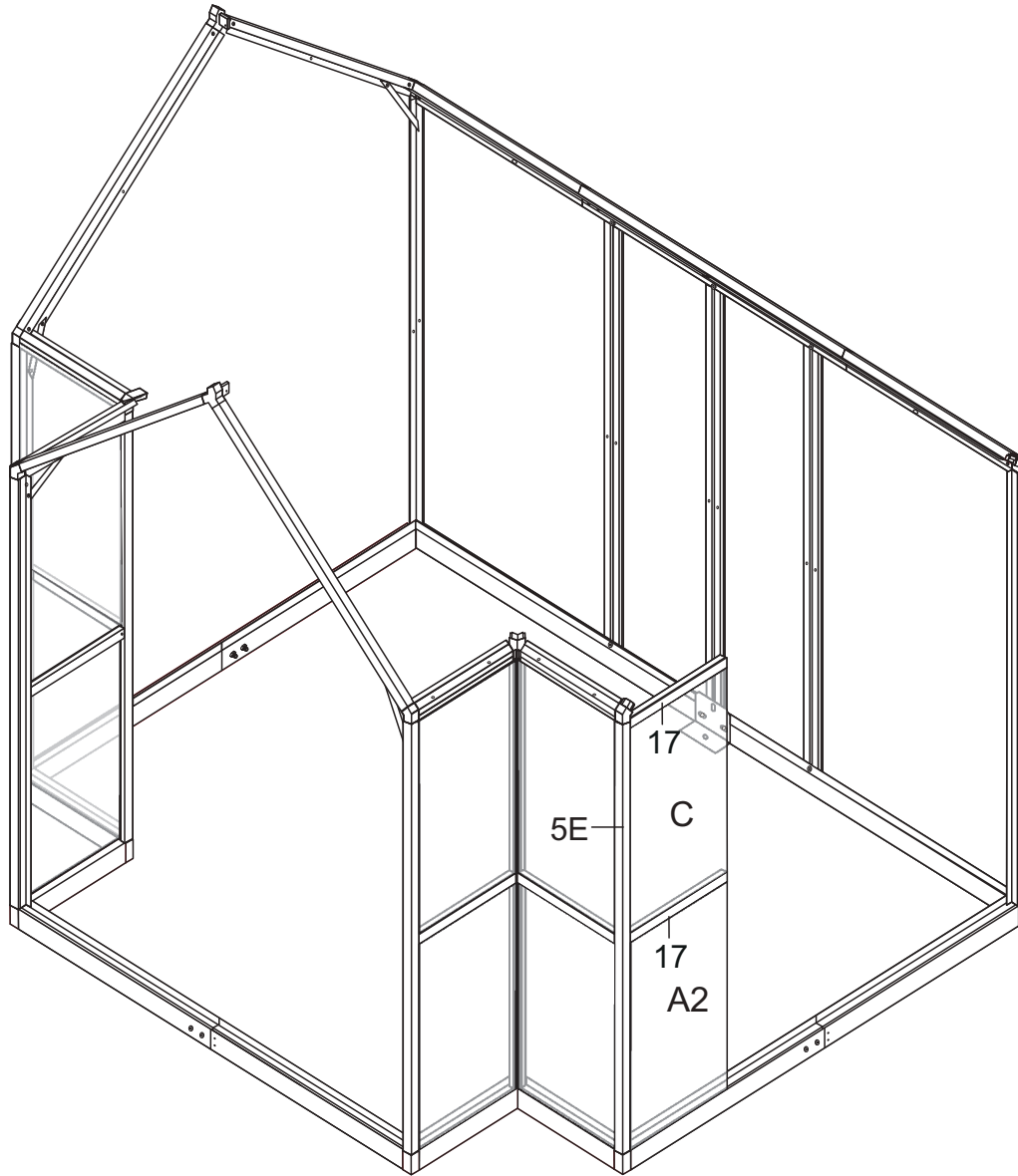
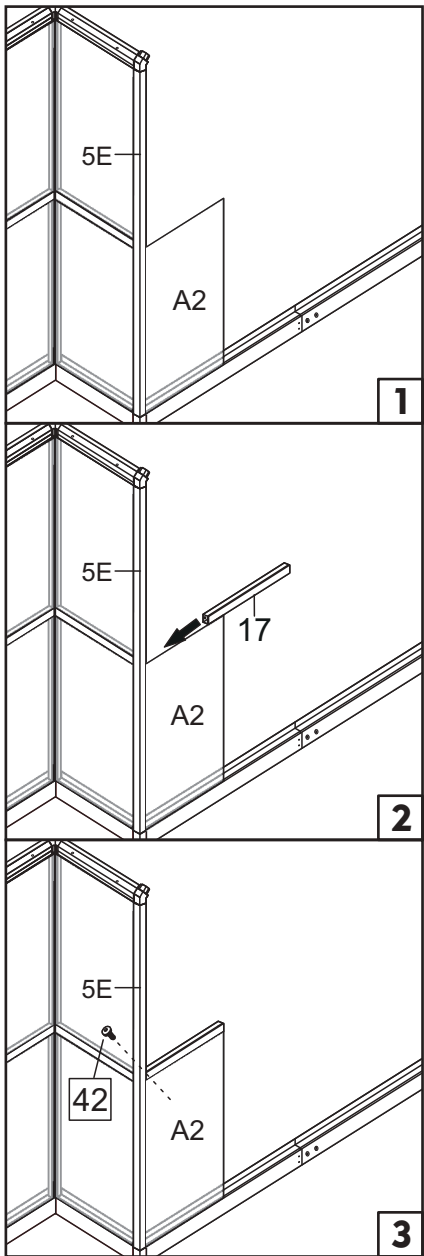
	46	2
	55A	1

# STEP 13



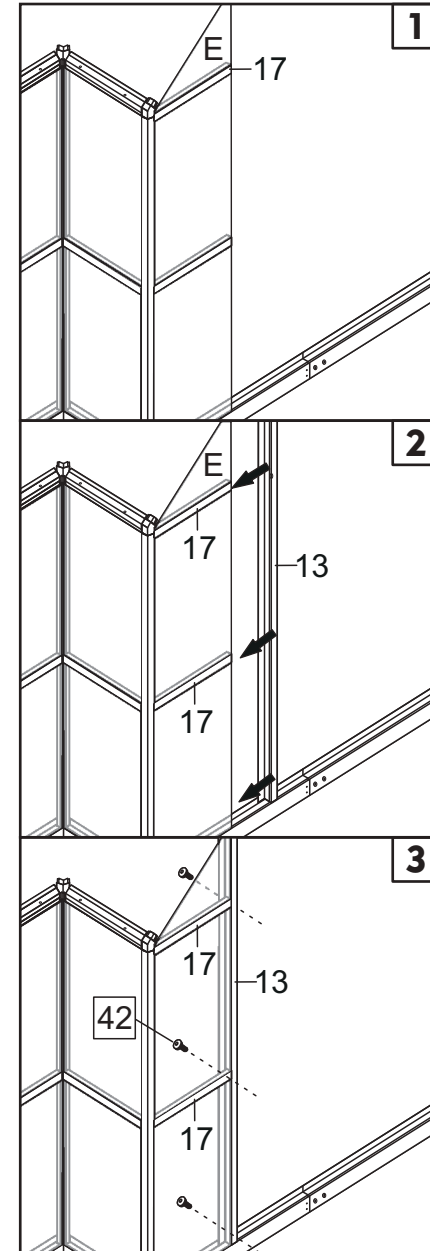
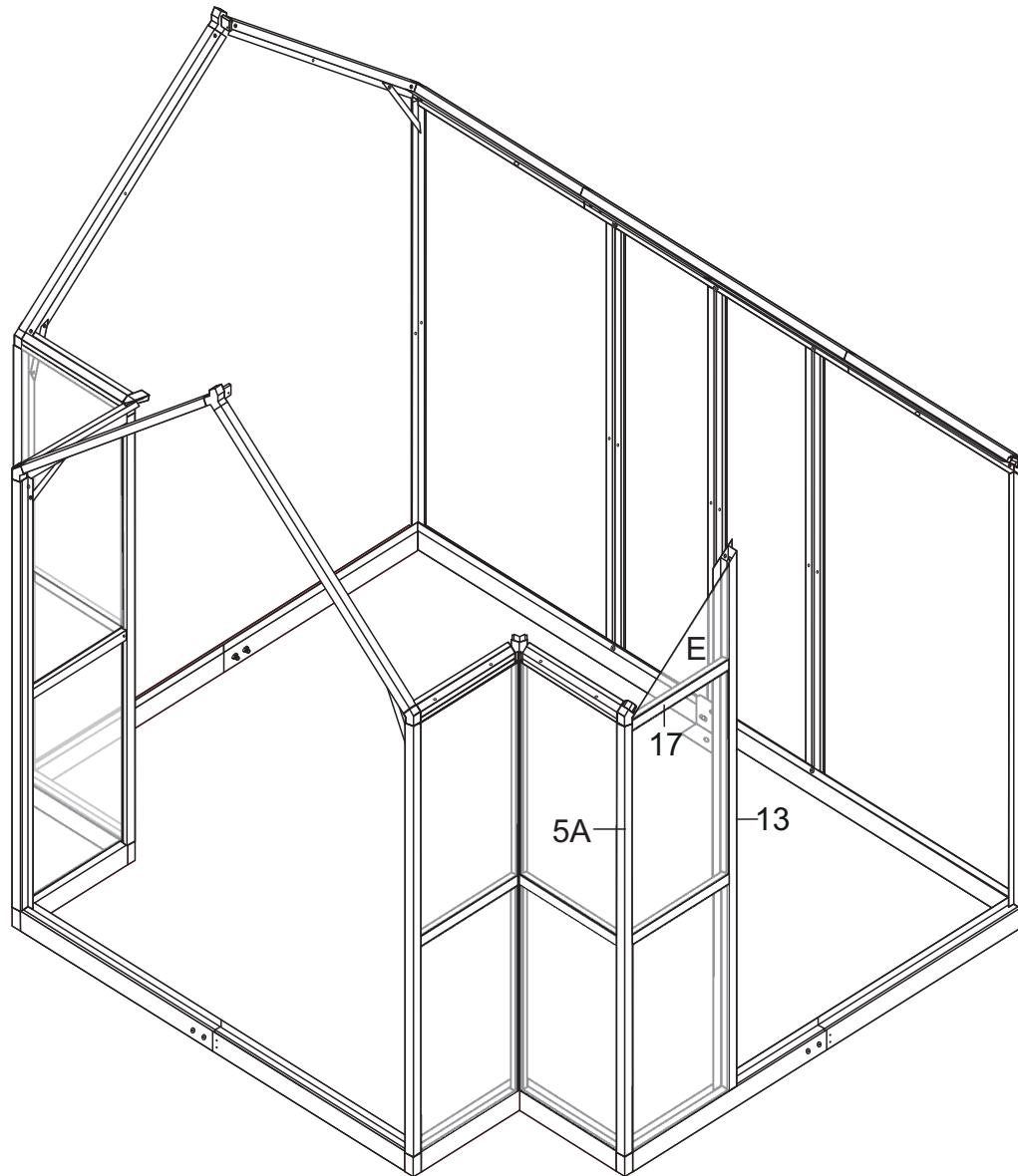
Picture	NO.	Qty.
	8	1
	9	1
	34	1
	46	2
	55A	1
	42	4
	41	6




# STEP 14



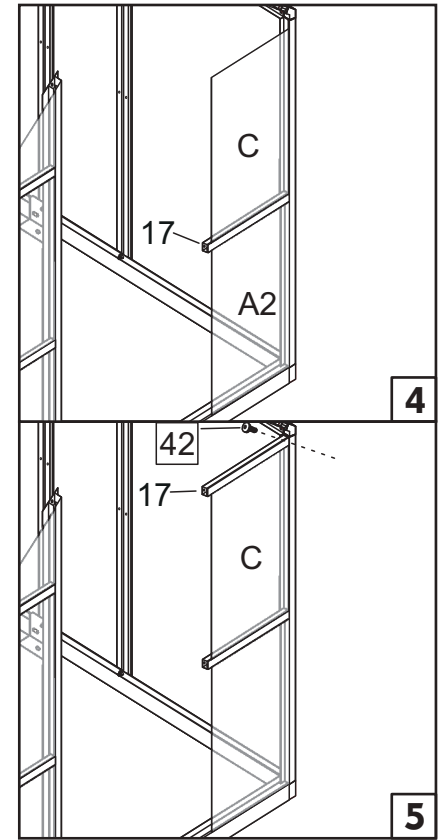
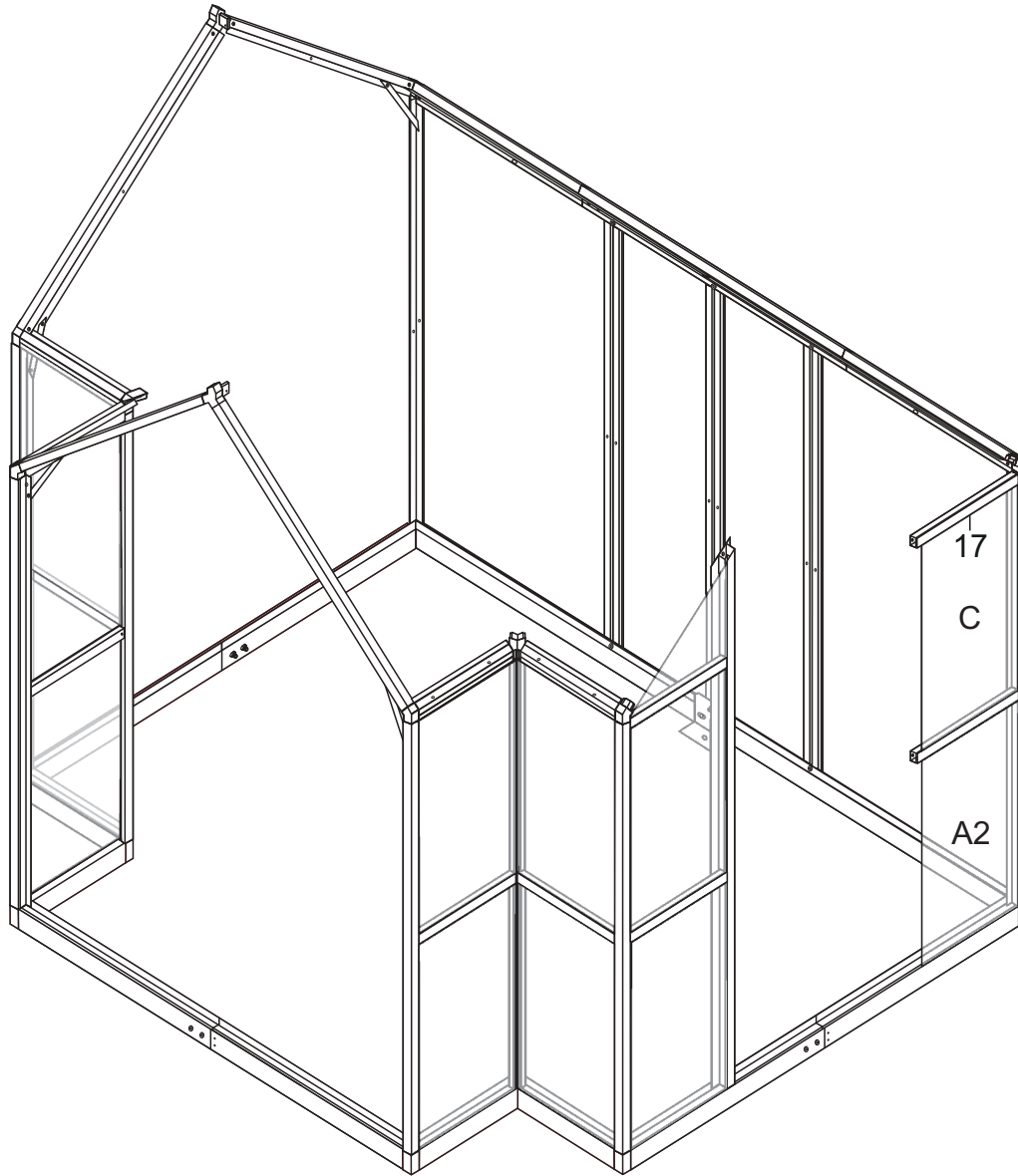
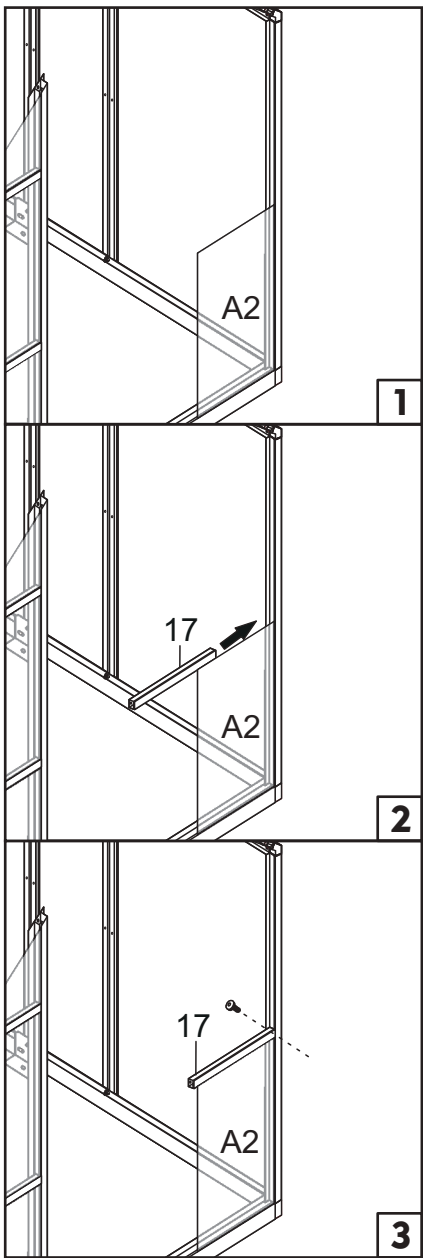
Picture	NO.	Qty.
	C	1
	A2	1
	17	2
	42	2

# STEP 15



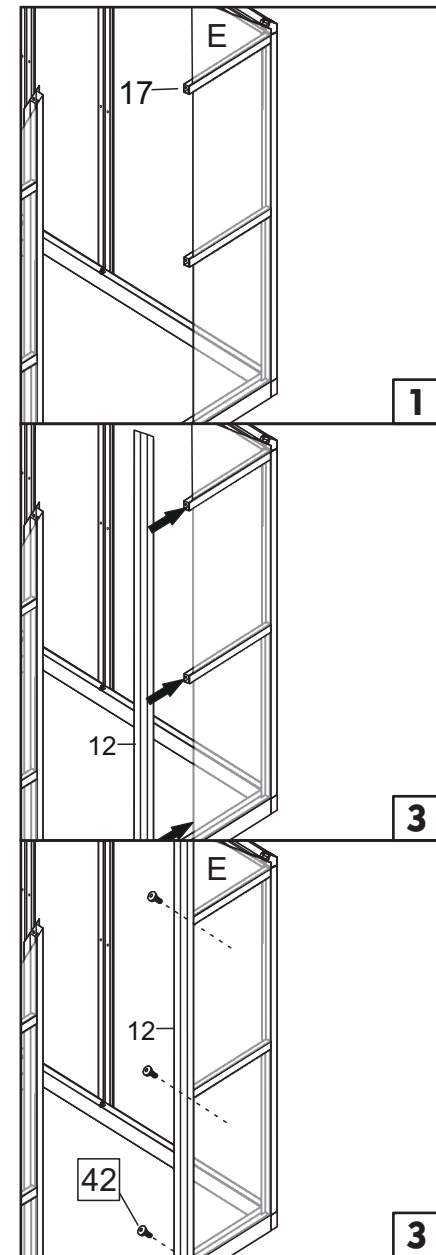
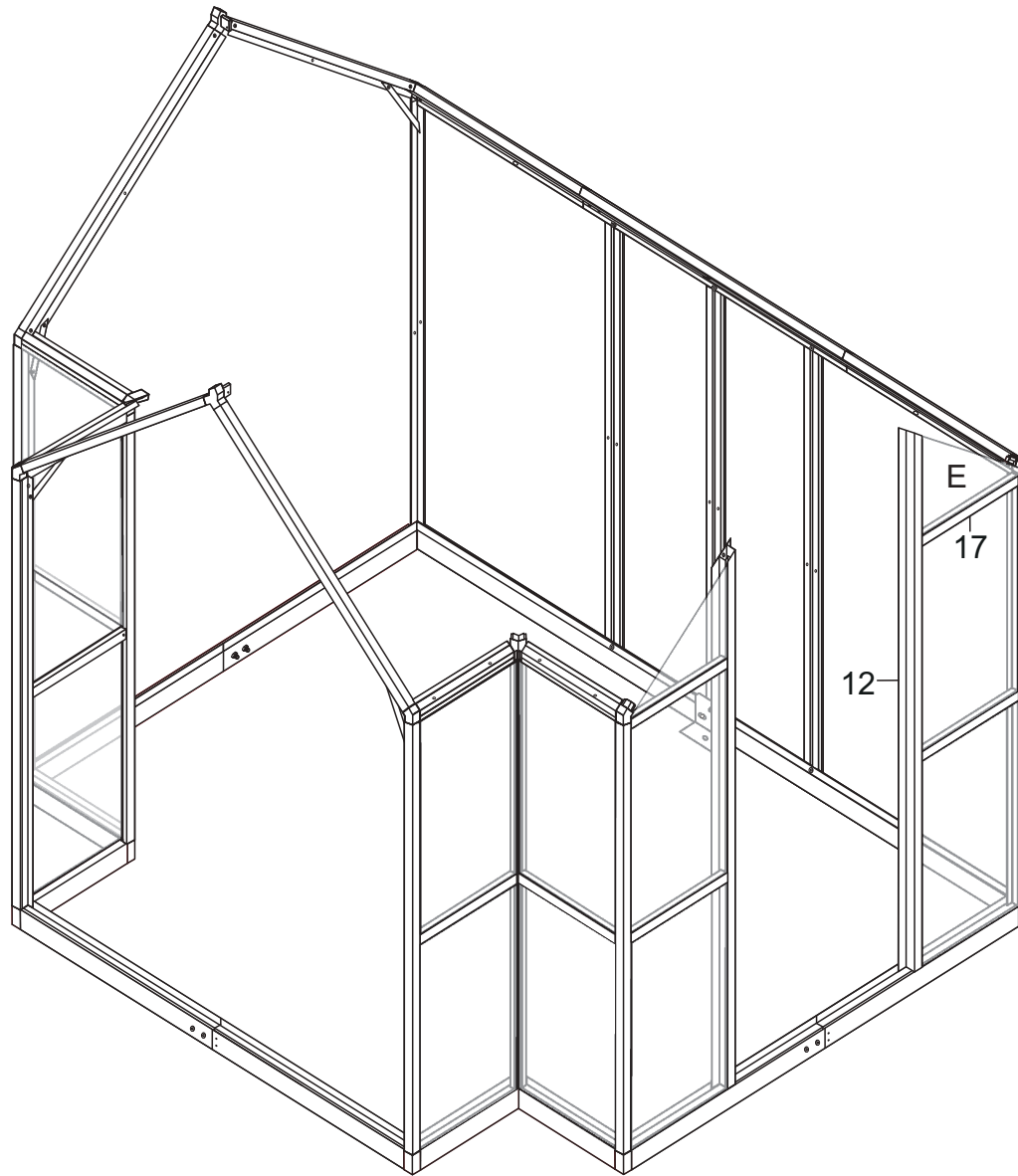
Picture	NO.	Qty.
	E	1
	13	1
	42	3

# STEP 16



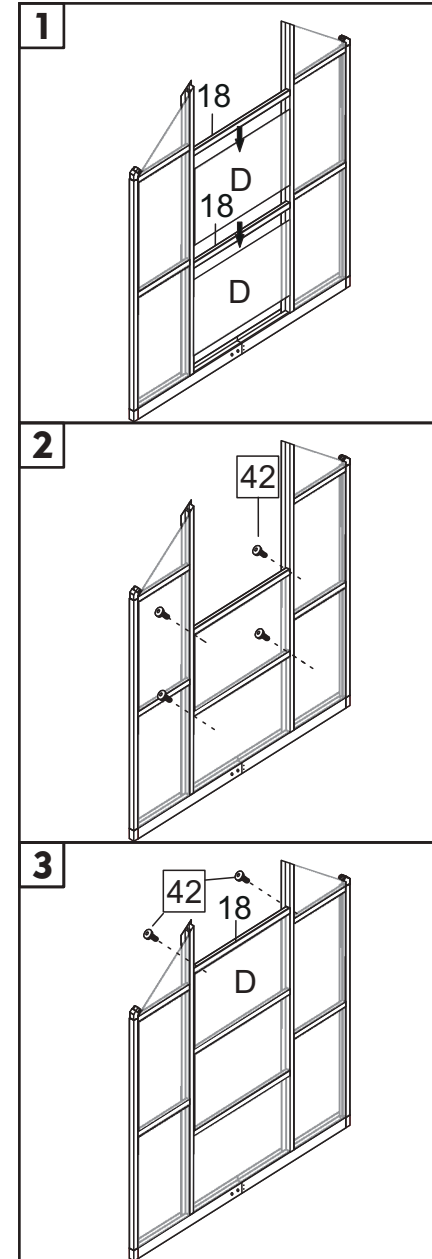
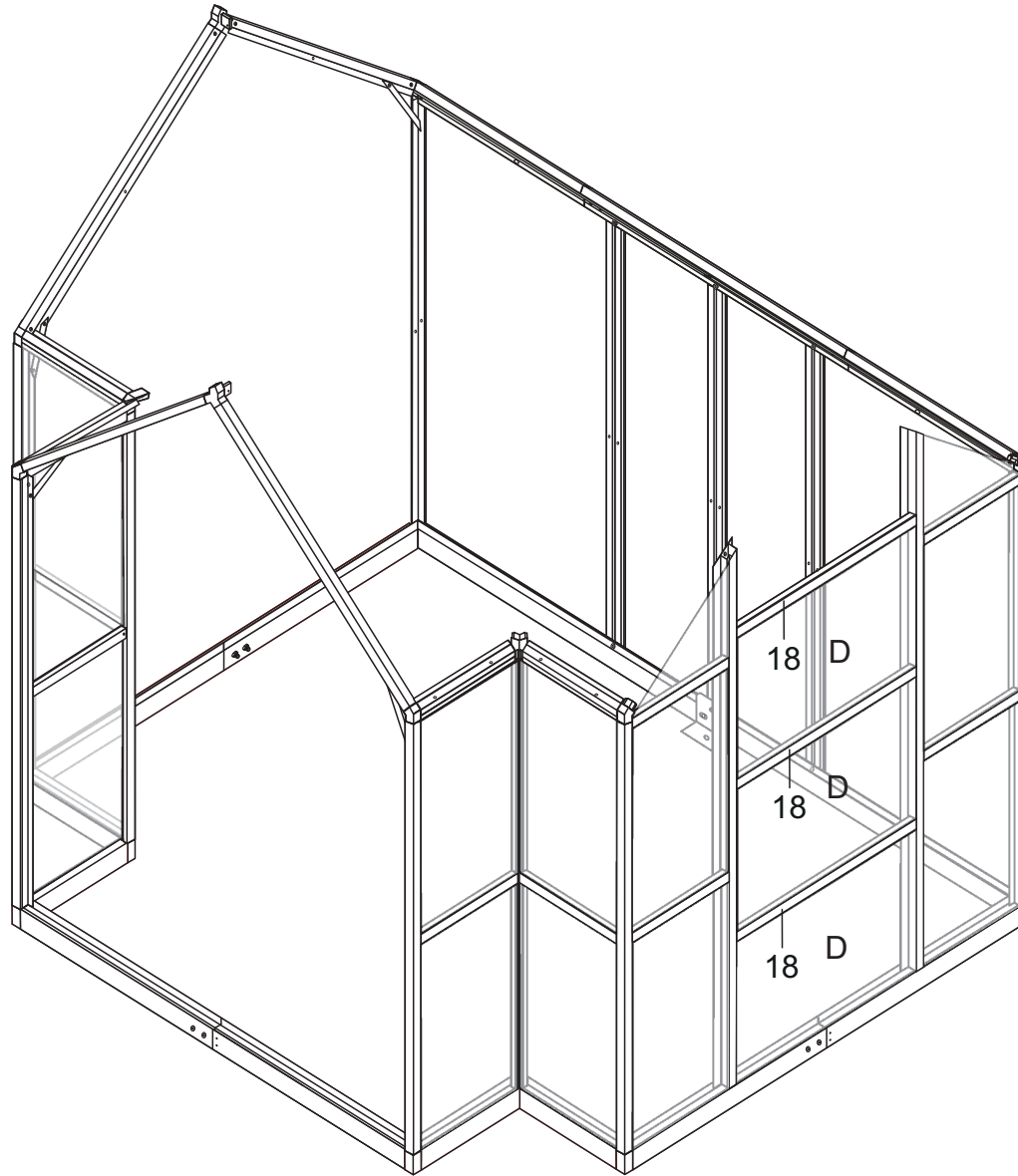
Picture	NO.	Qty.
	C	1
	A2	1
	17	2
	42	2




# STEP 17



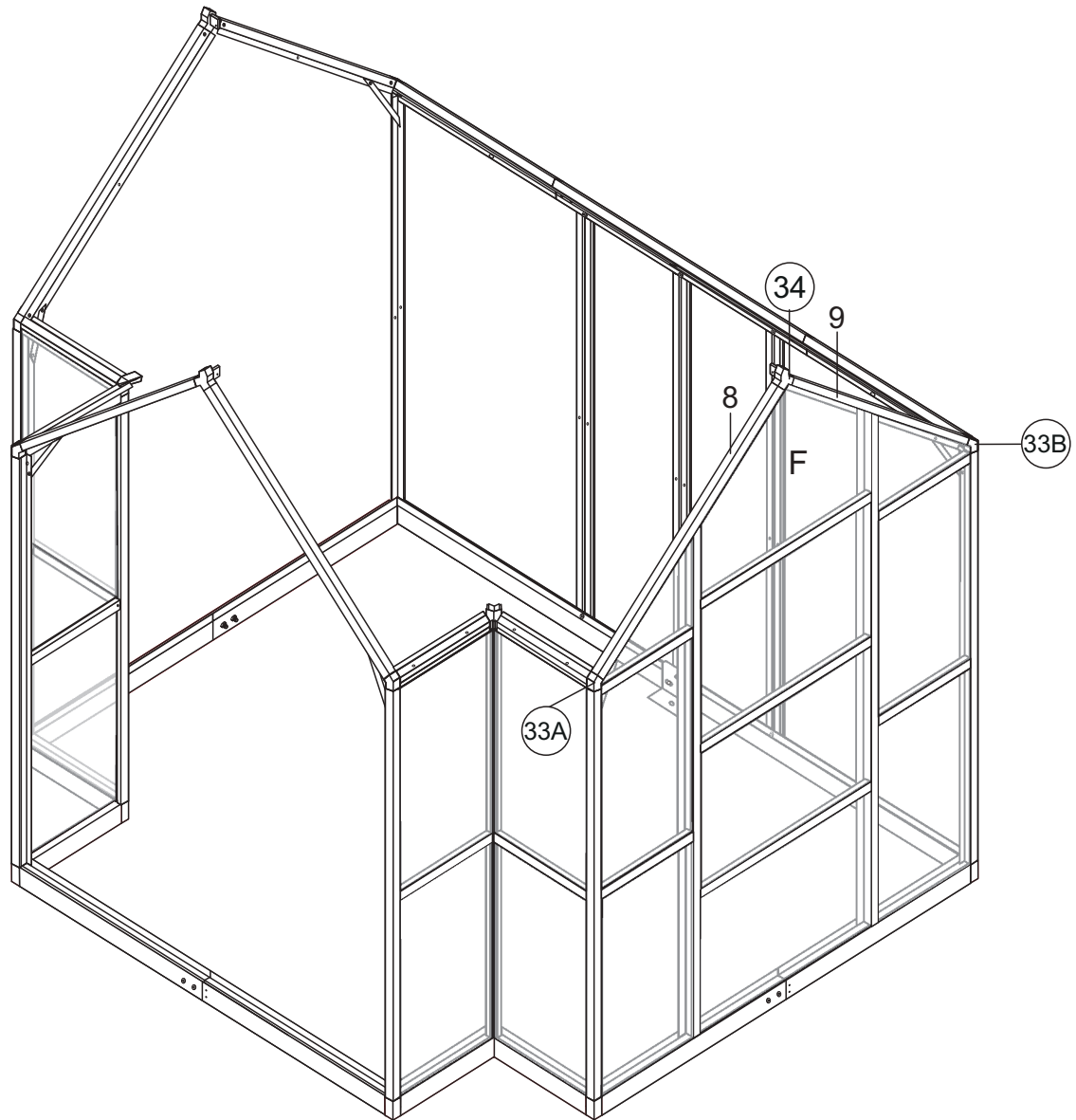
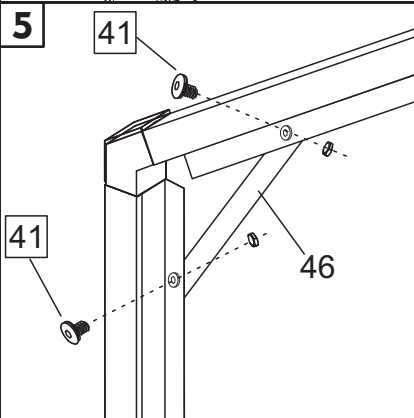
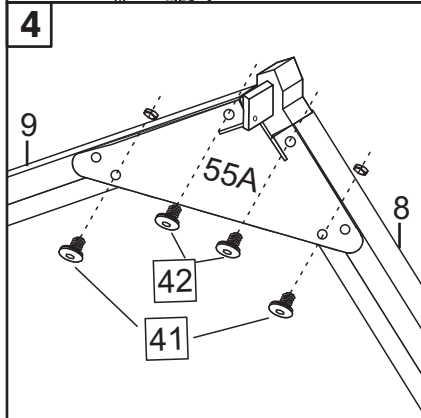
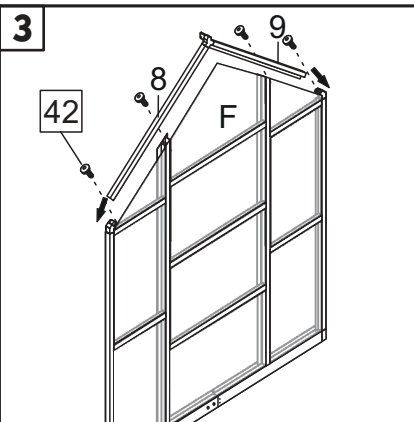
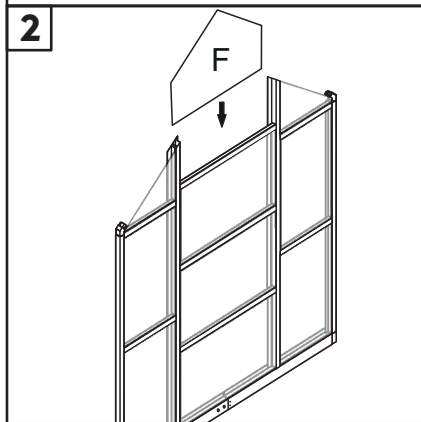
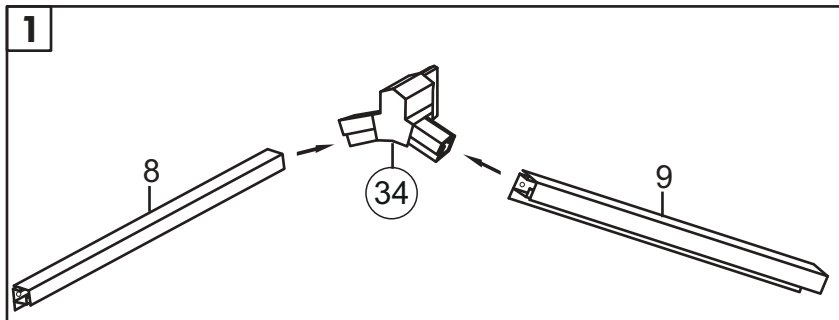
Picture	NO.	Qty.
	E	1
	12	1
	42	3

# STEP 18



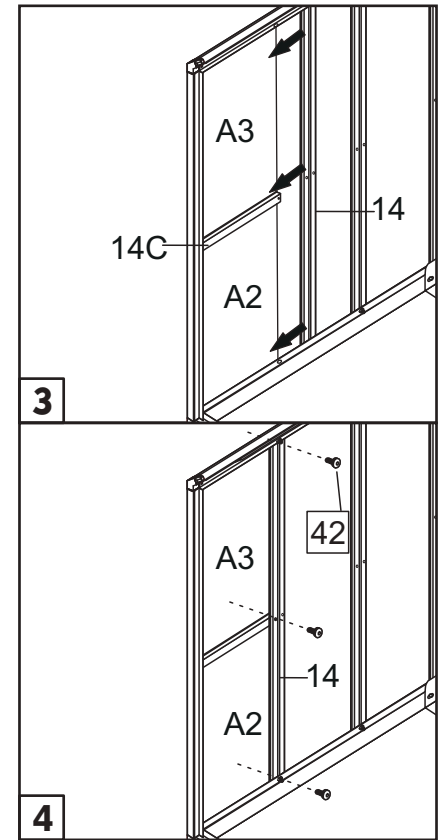
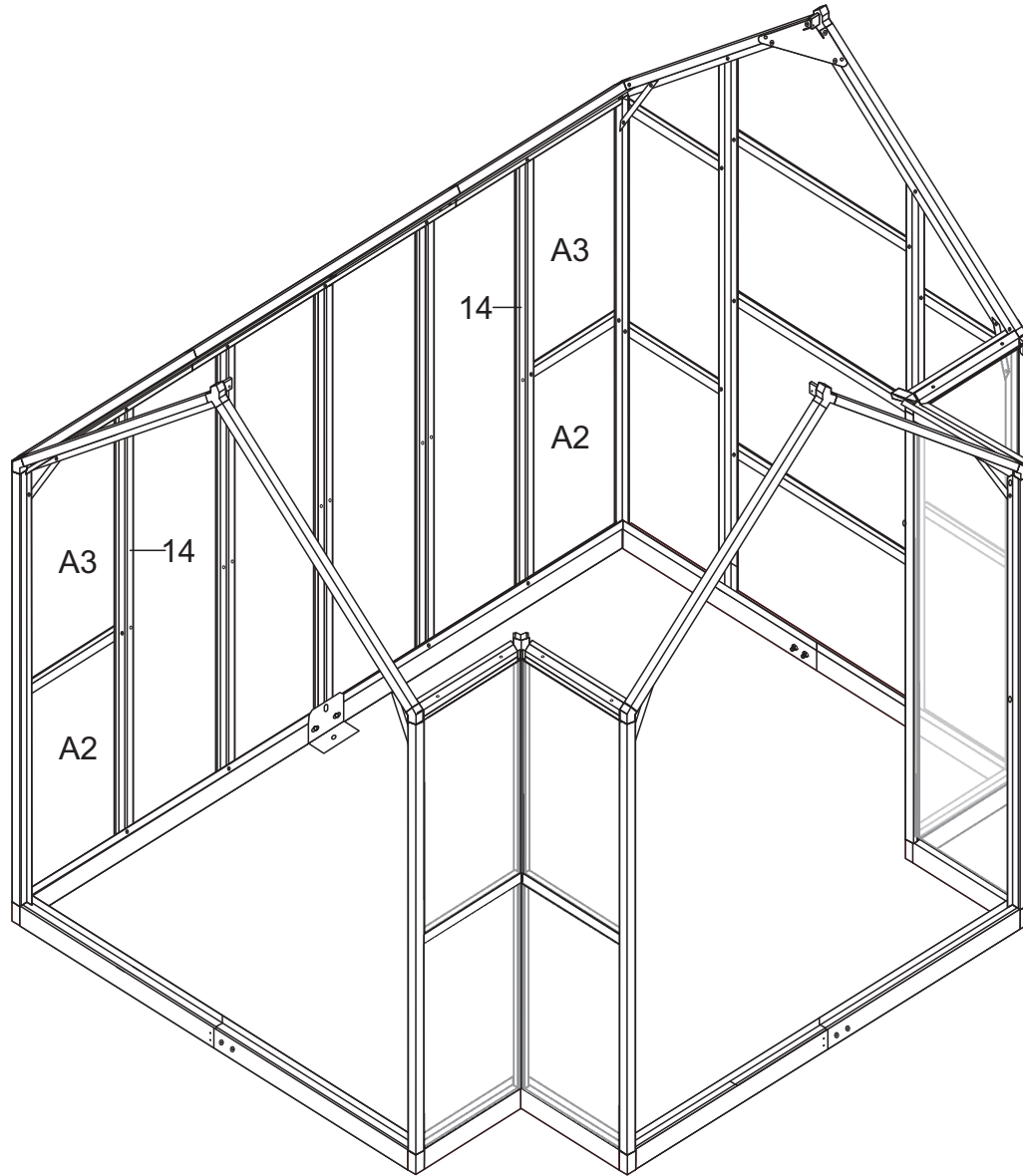
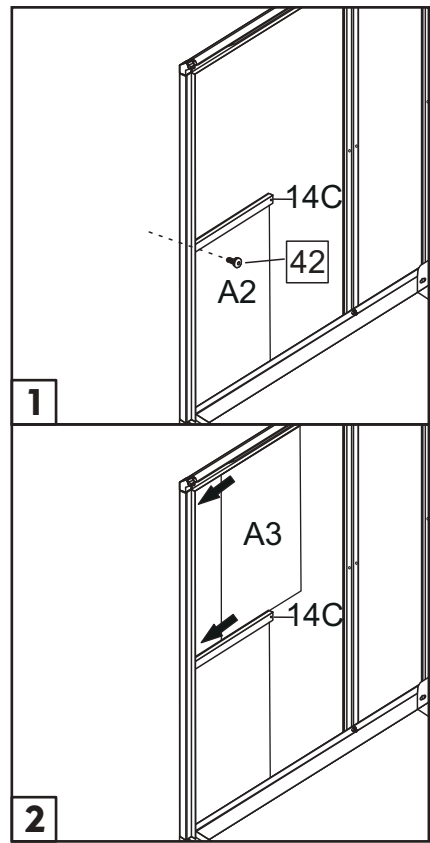
Picture	NO.	Qty.
	D	3
	18	3
	42	6

# STEP 19



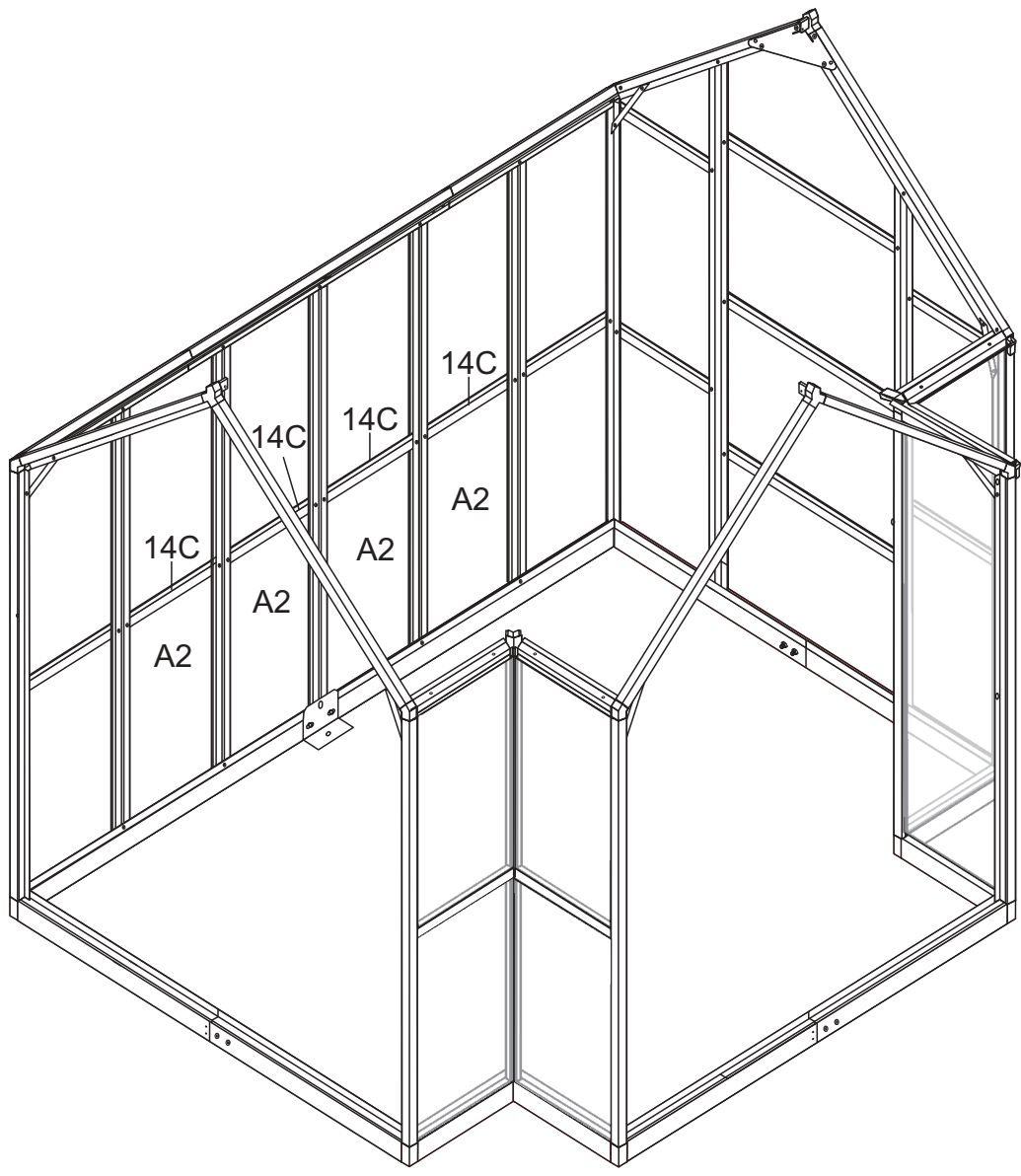
Picture	NO.	Qty.				
	F	1				
	8	1				
	9	1			41	6
	34	1			46	2
	42	6			55A	1




# STEP 20

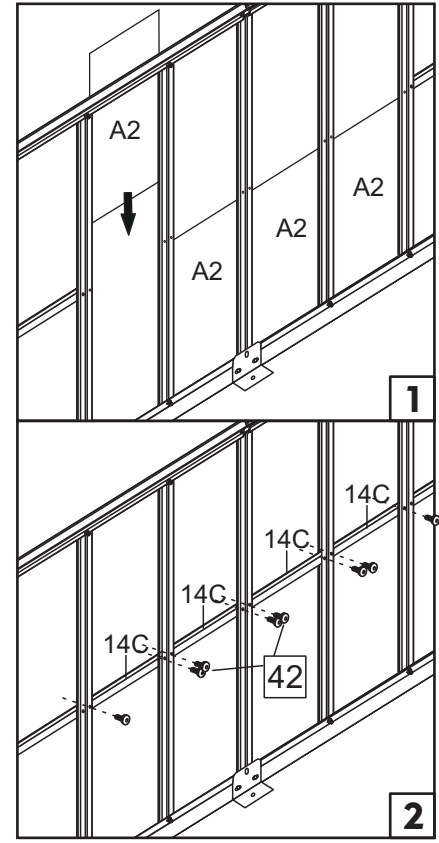


Picture	NO.	Qty.
	A2	2
	A3	2
	14	2
	14C	2
	42	8

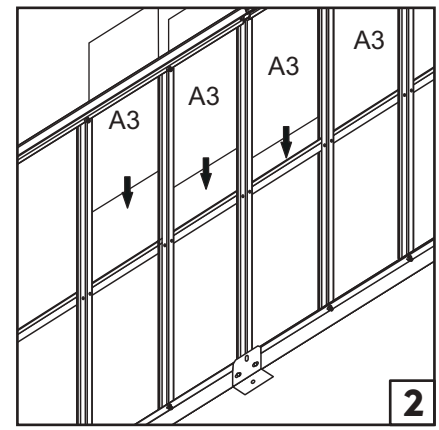
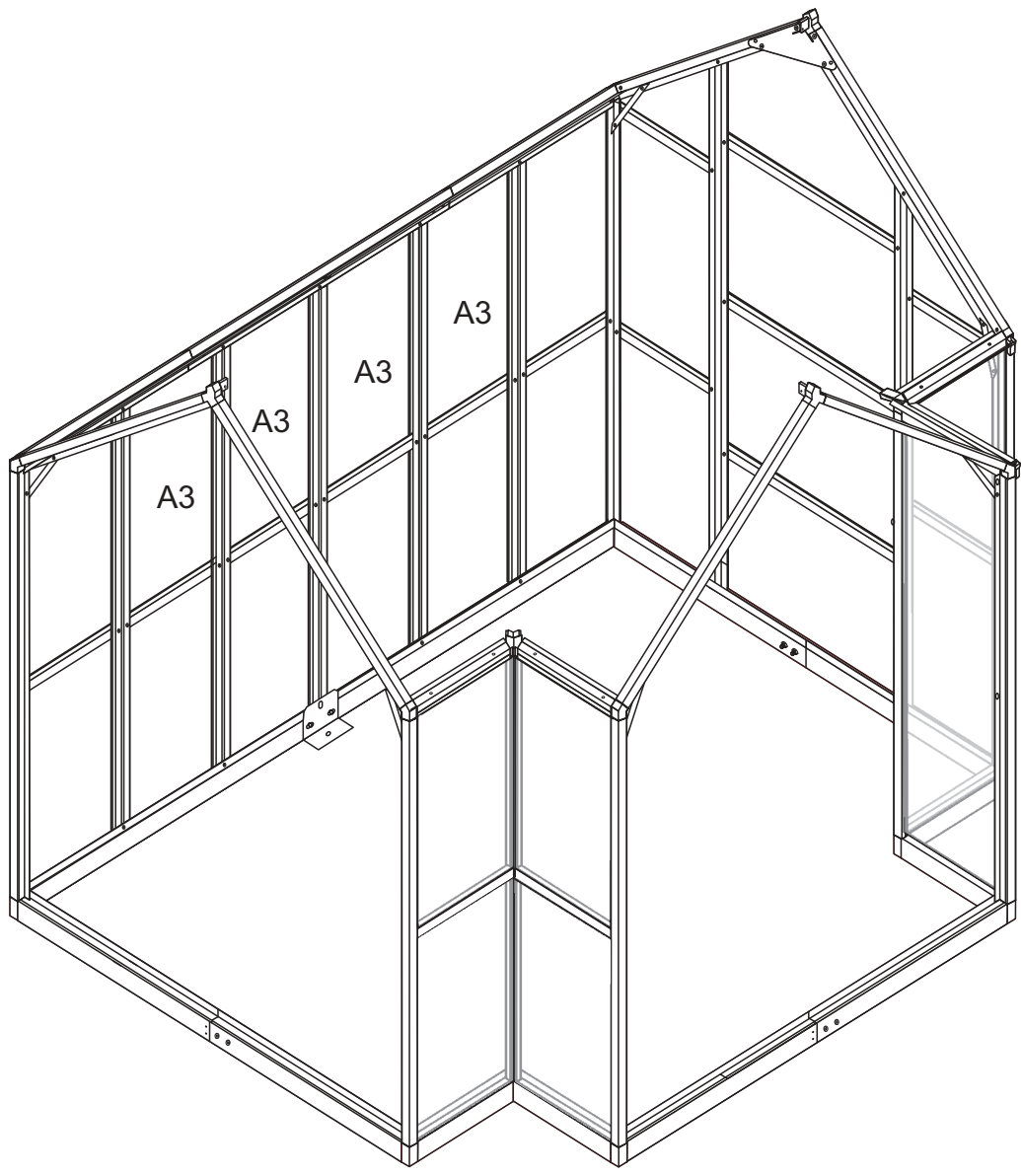
# STEP 21




Picture	NO.	Qty.
	A2	4
	14C	4
	42	8

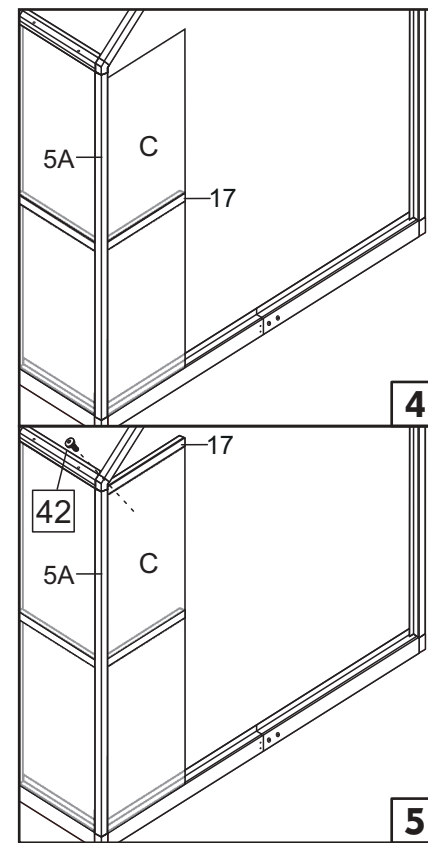
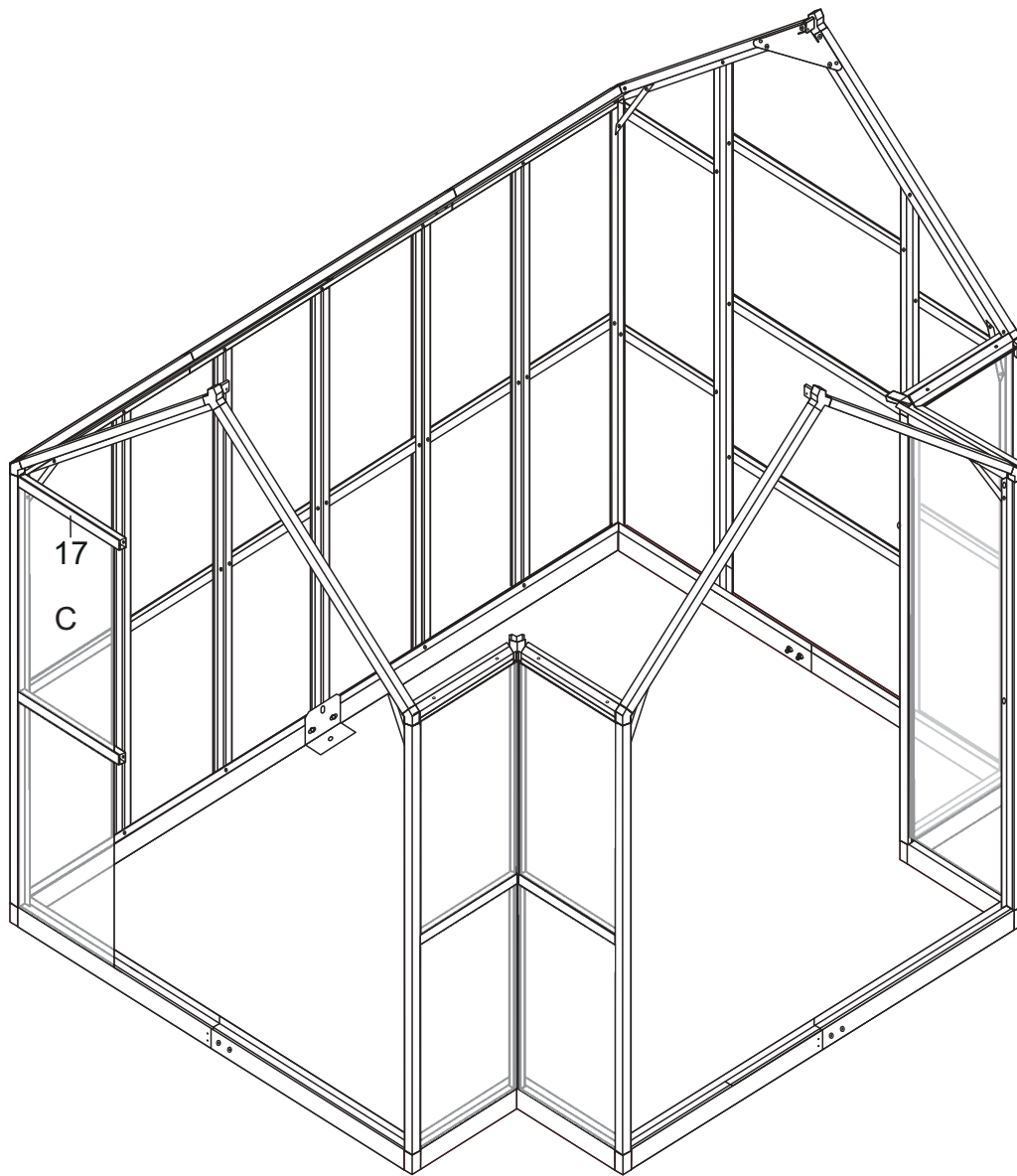
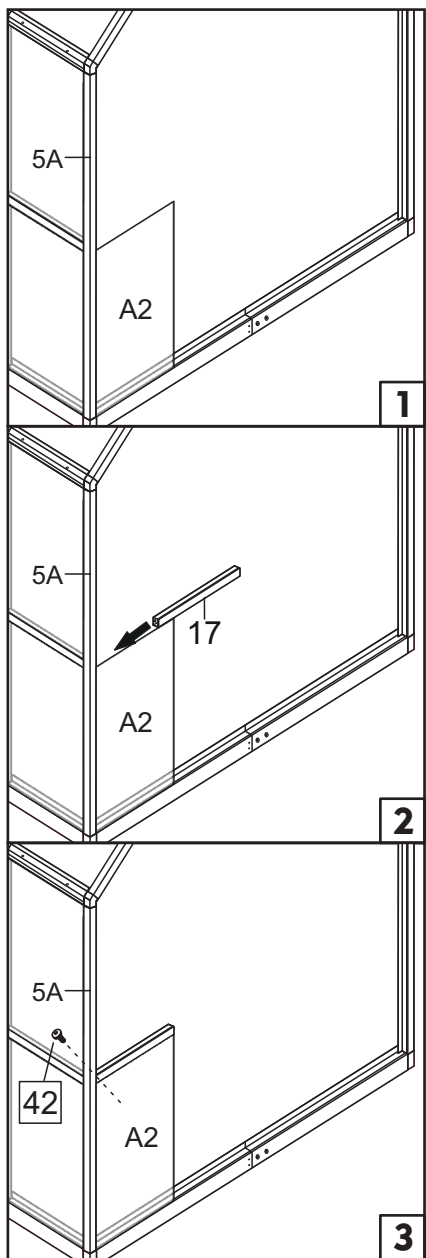






# STEP 22



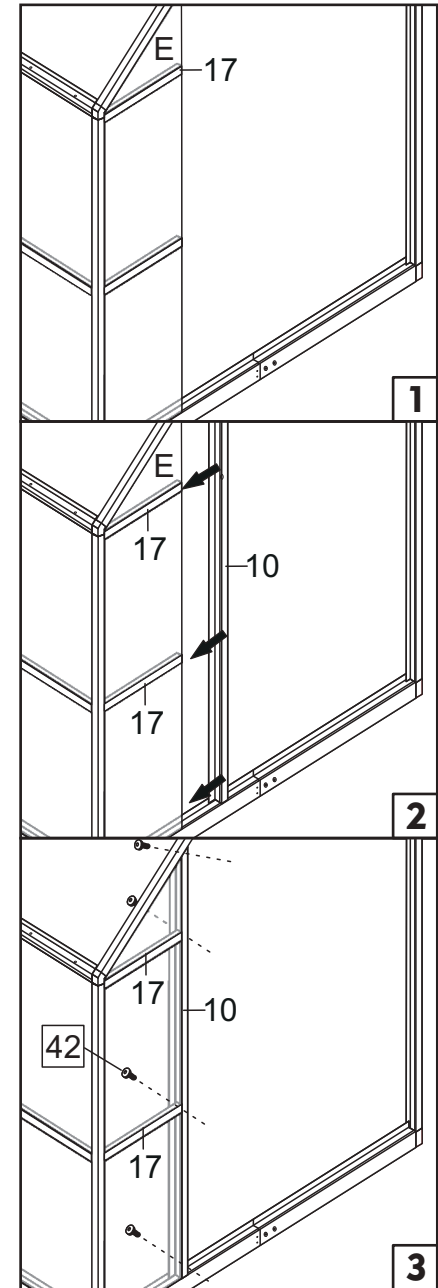
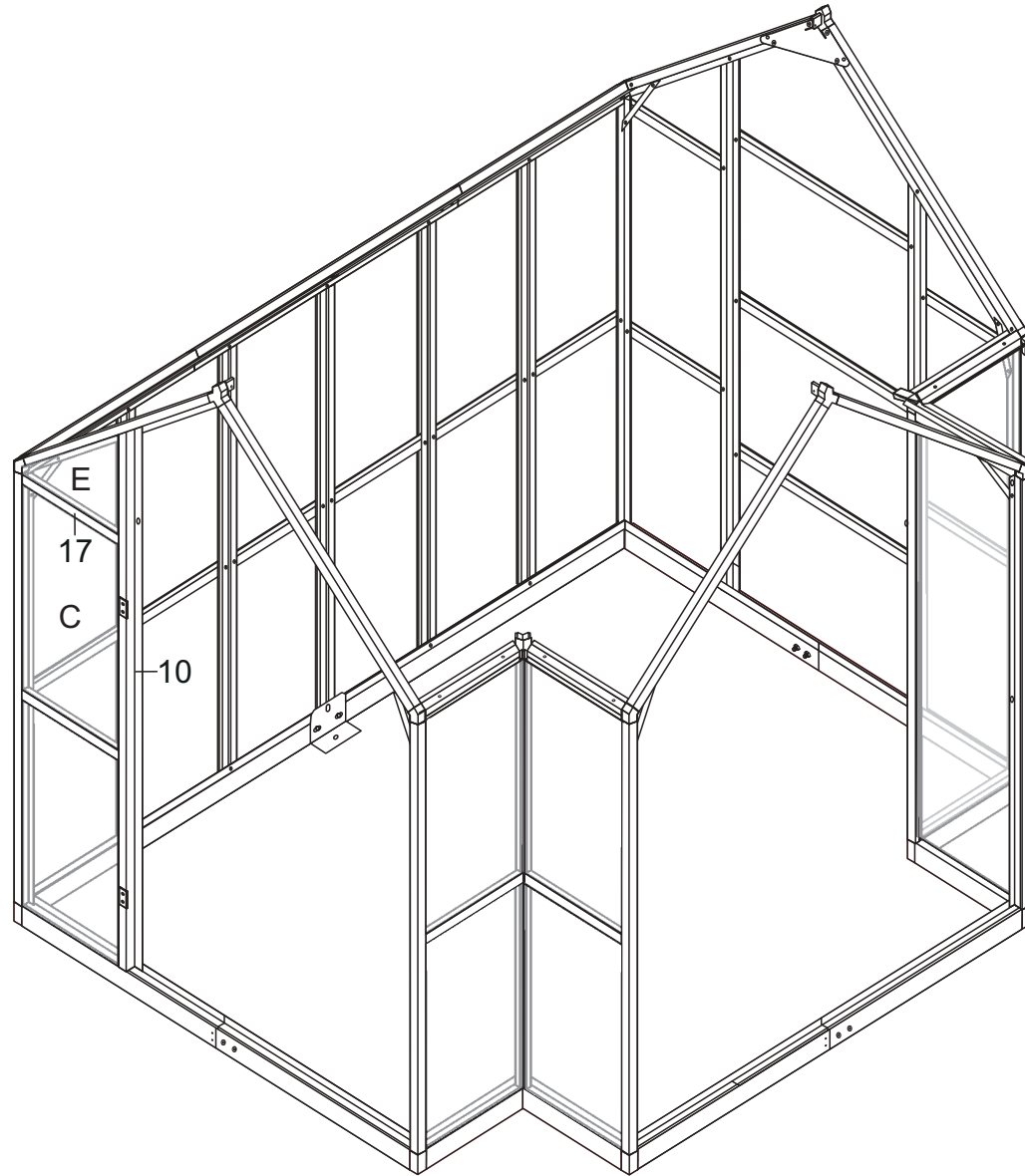
Picture	NO.	Qty.
	A3	4




# STEP 23



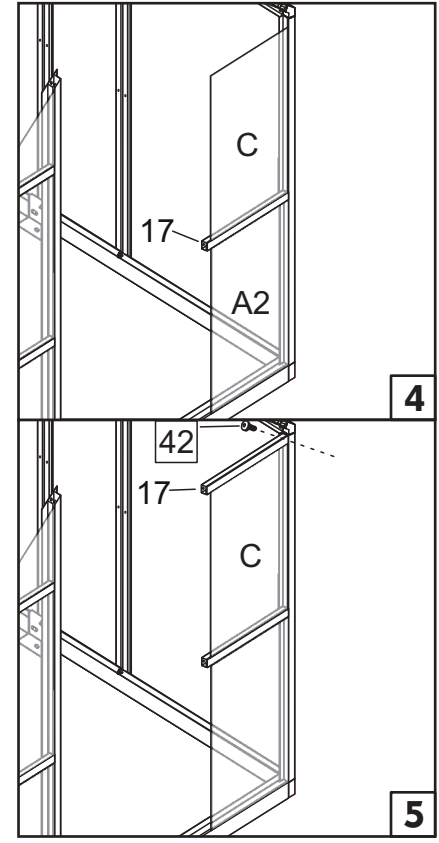
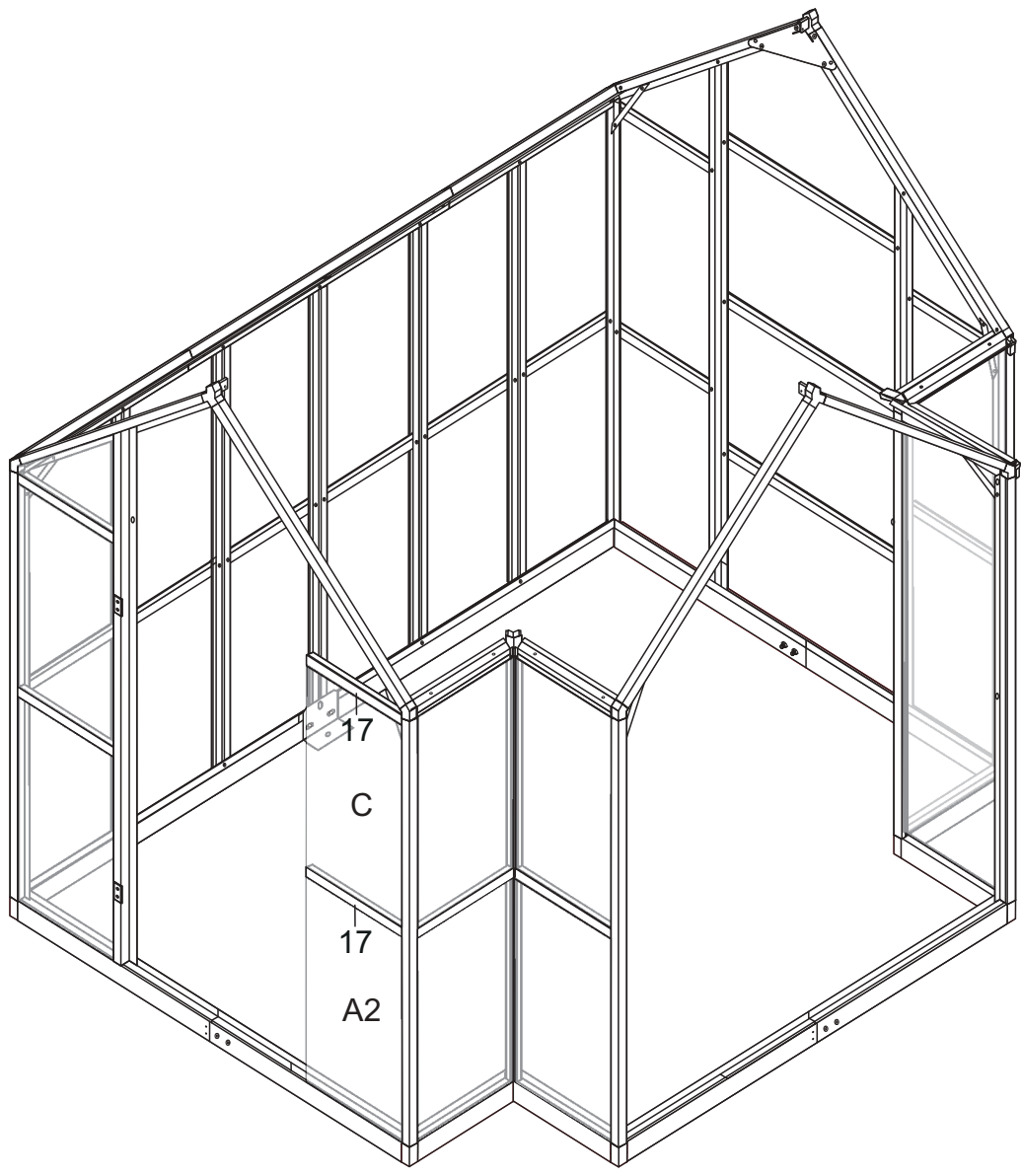
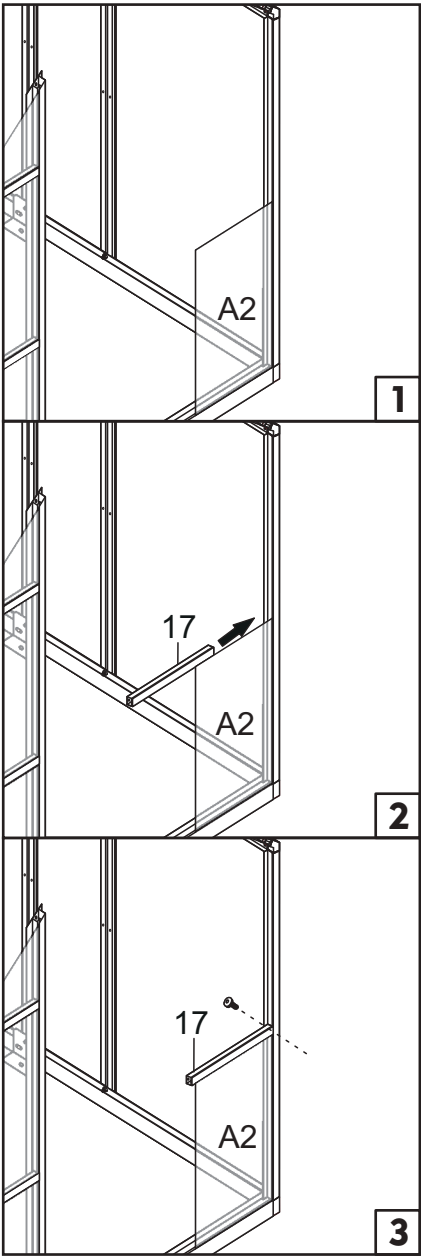
Picture	NO.	Qty.
	C	1
	A2	1
	17	2
	42	2

# STEP 24



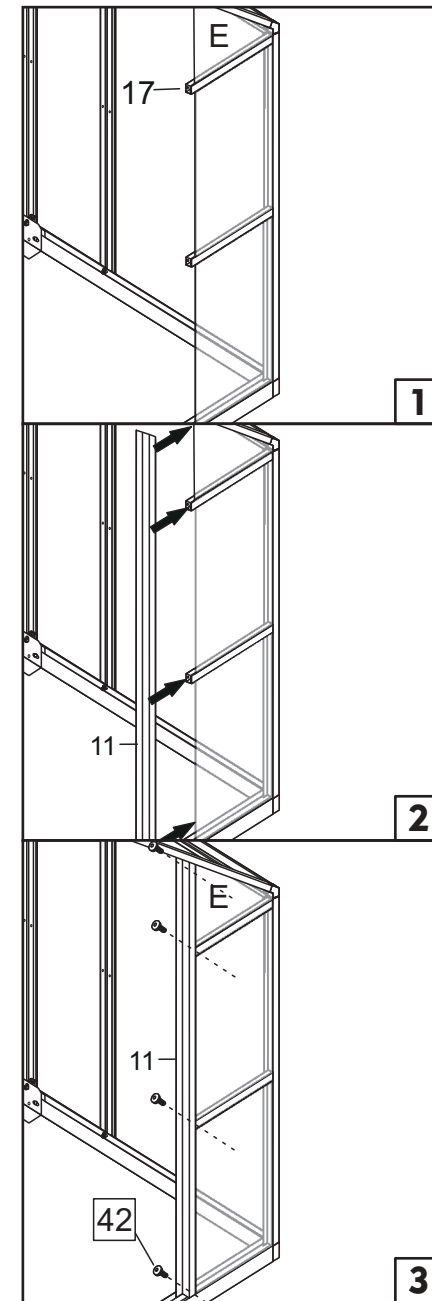
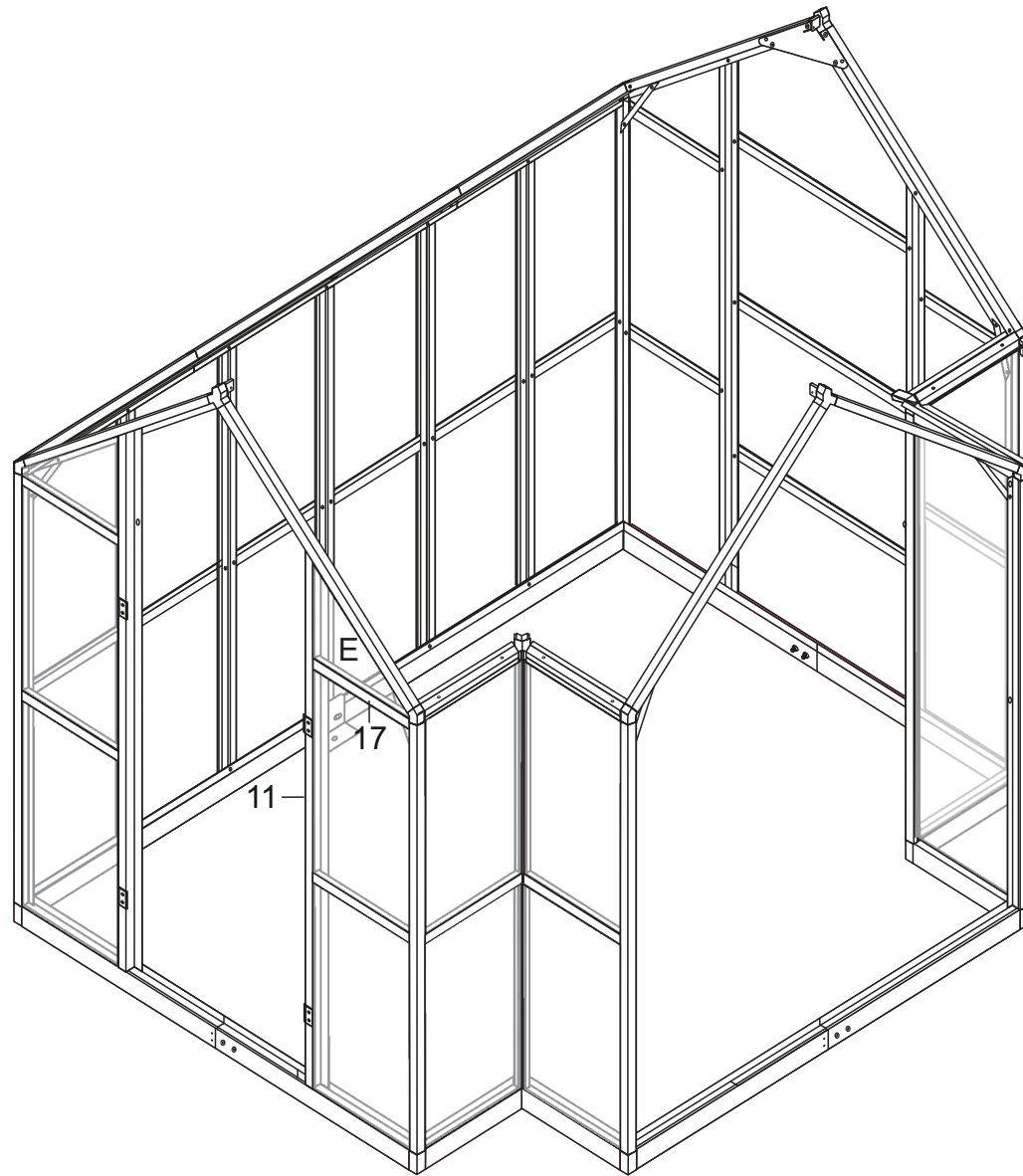
Picture	NO.	Qty.
	E	1
	10	1
	42	4




# STEP 25



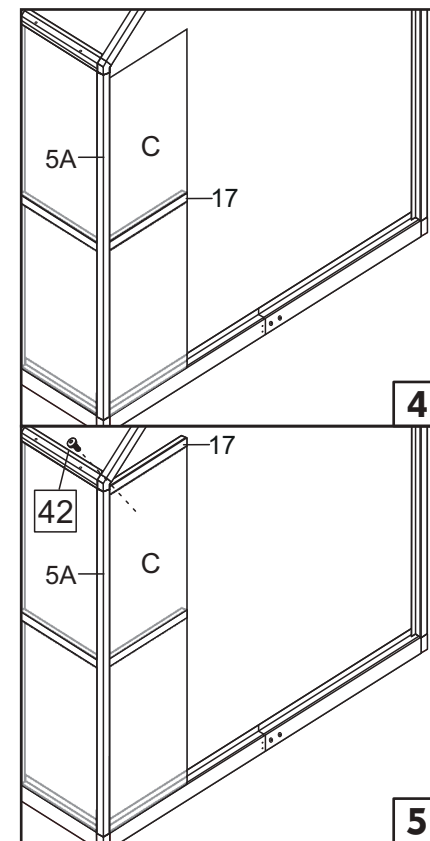
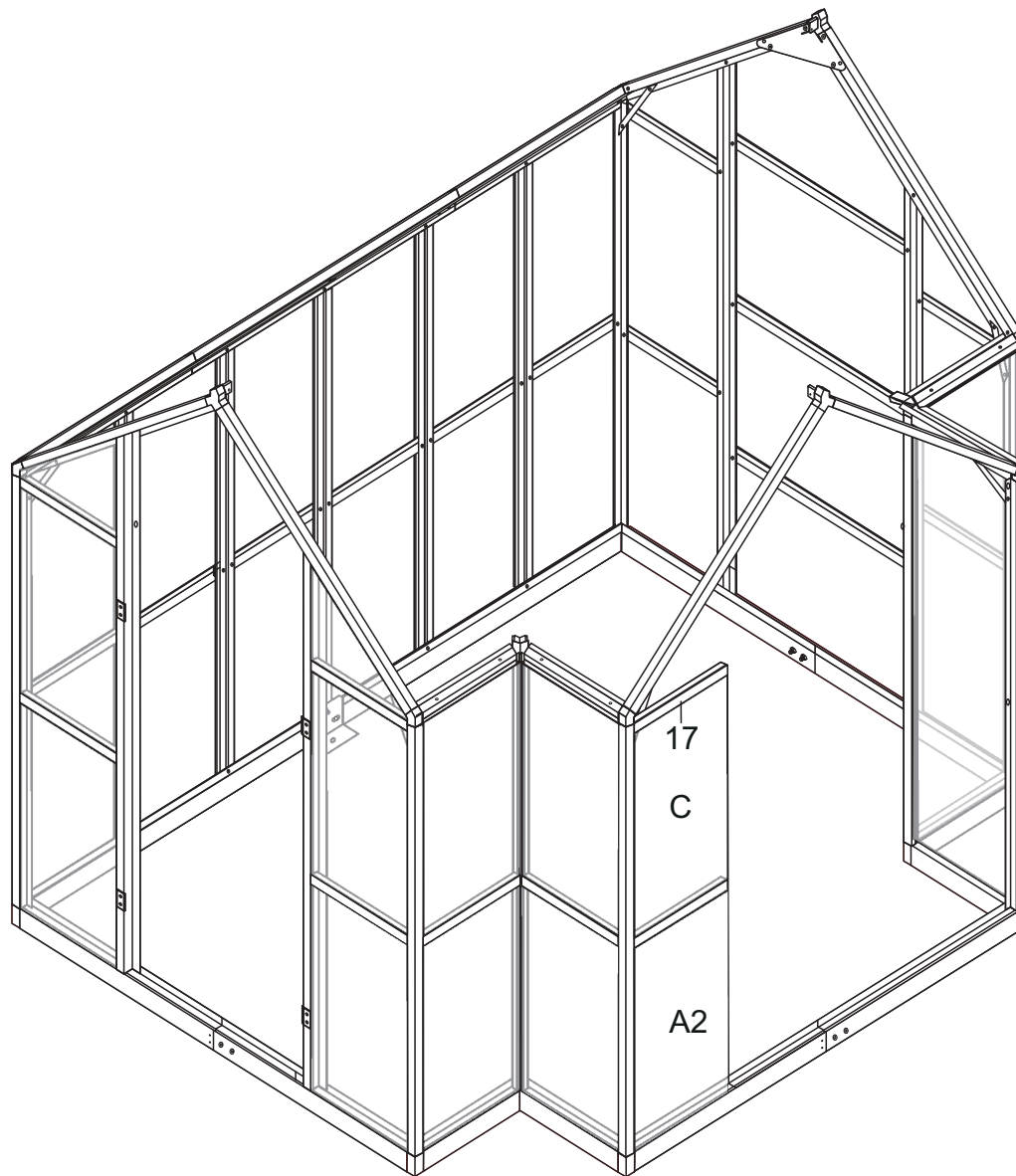
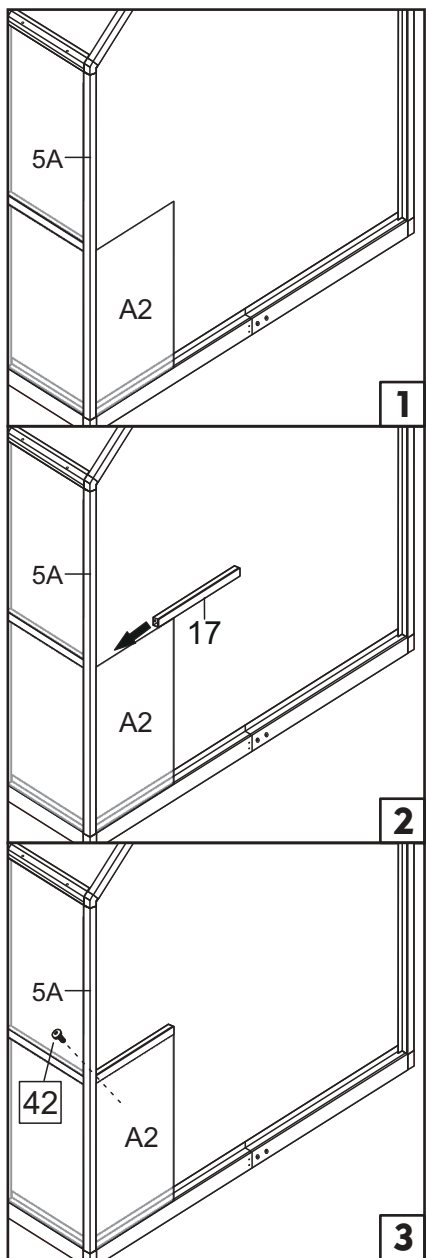
Picture	NO.	Qty.
	C	1
	A2	1
	17	2
	42	2

# STEP 26



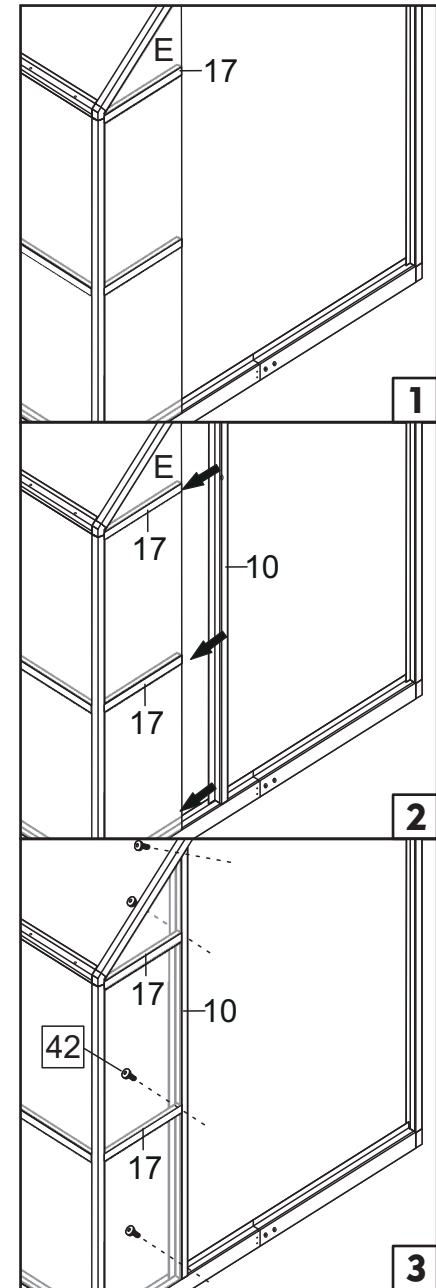
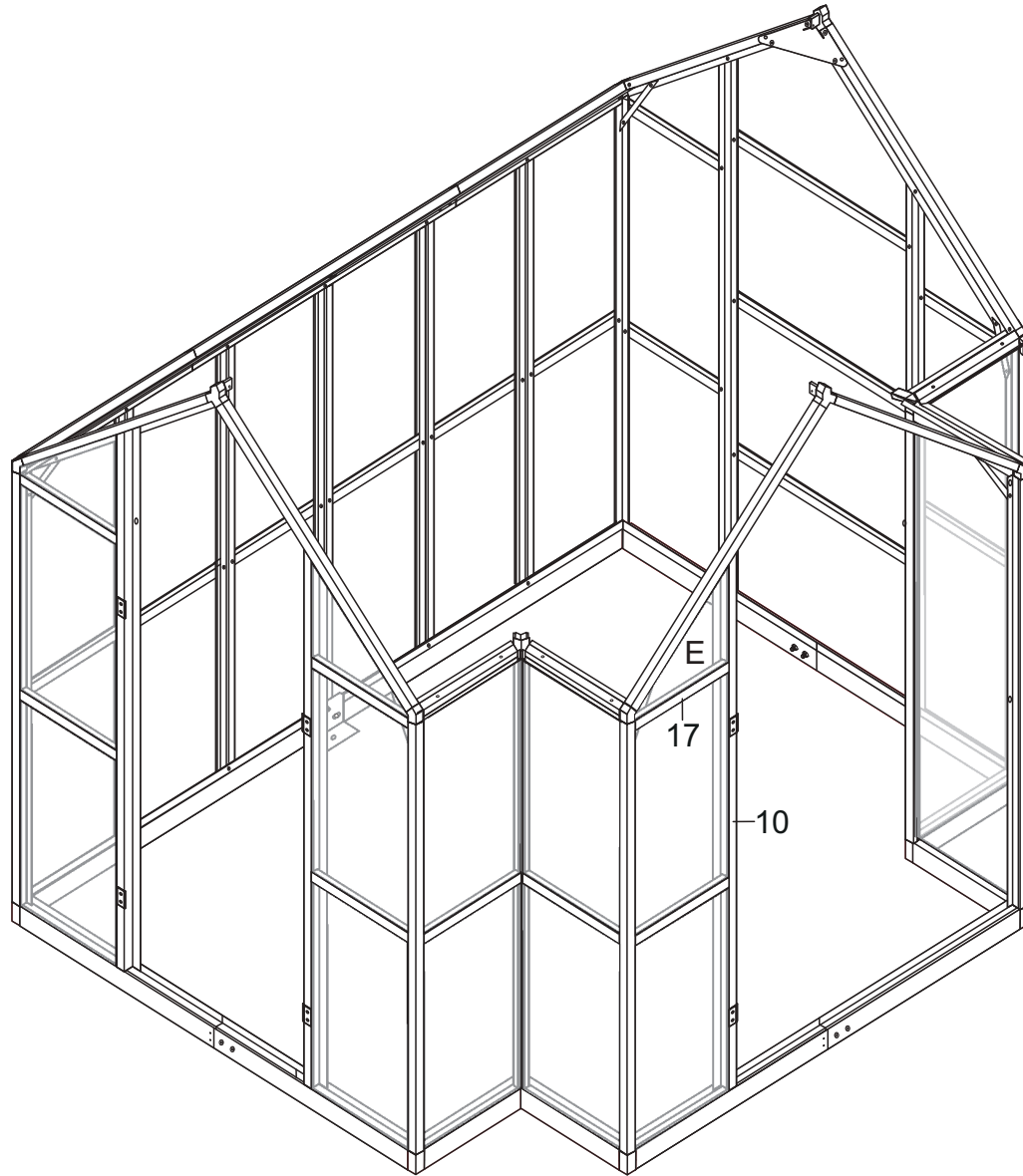
Picture	NO.	Qty.
	E	1
	11	1
	42	4




# STEP 27



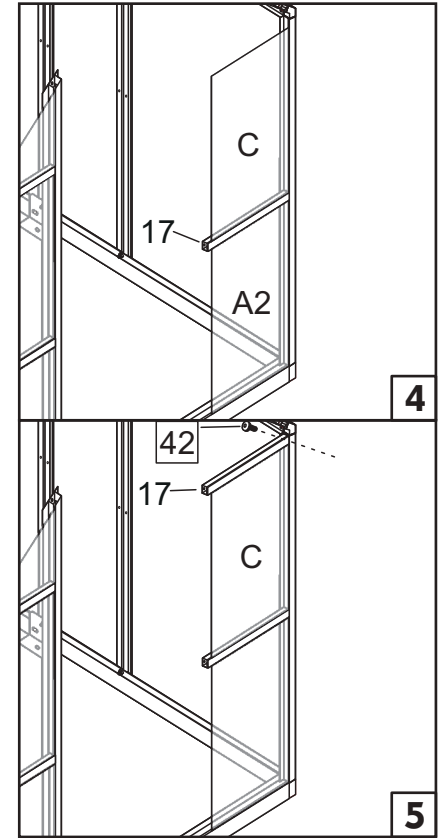
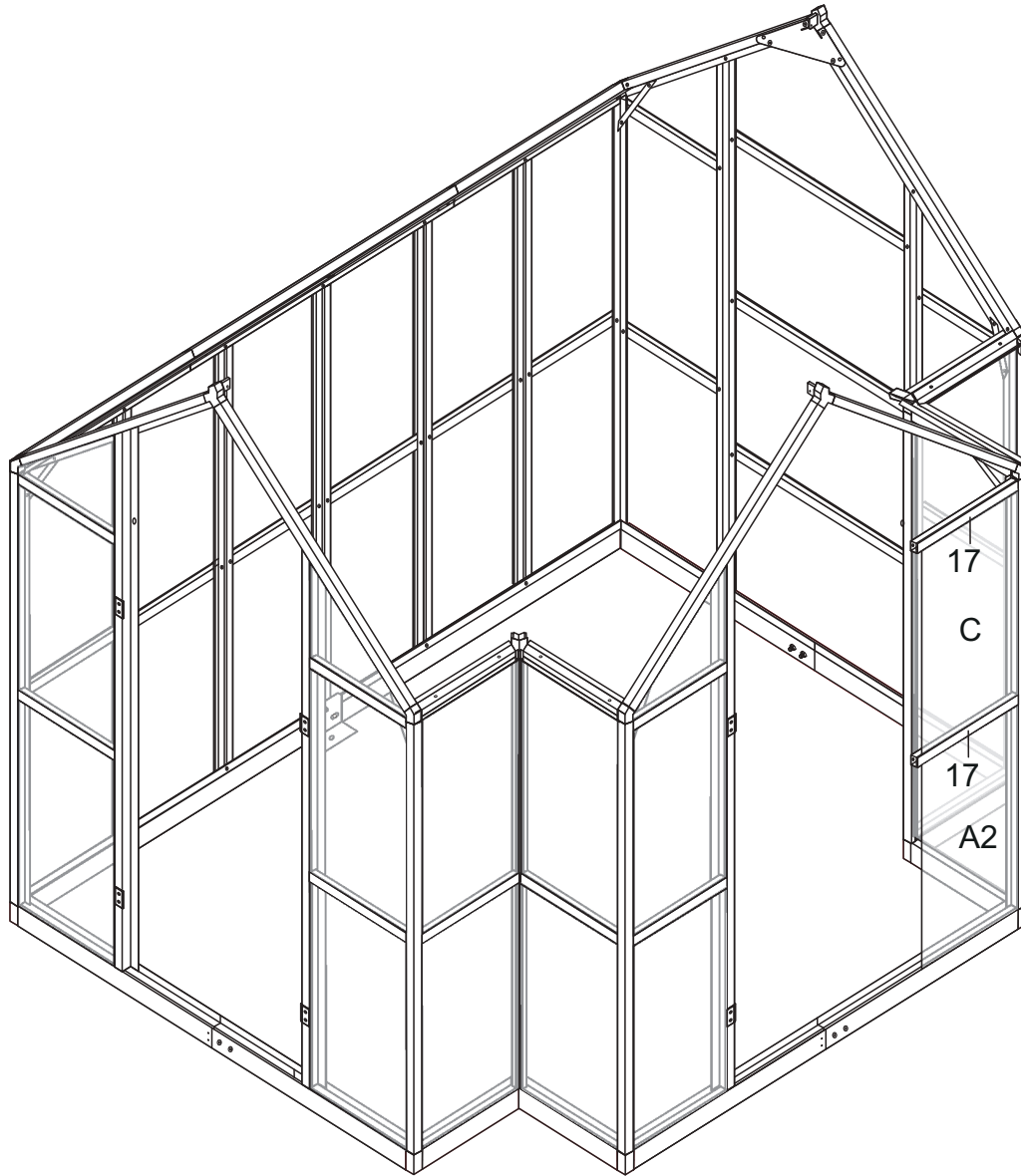
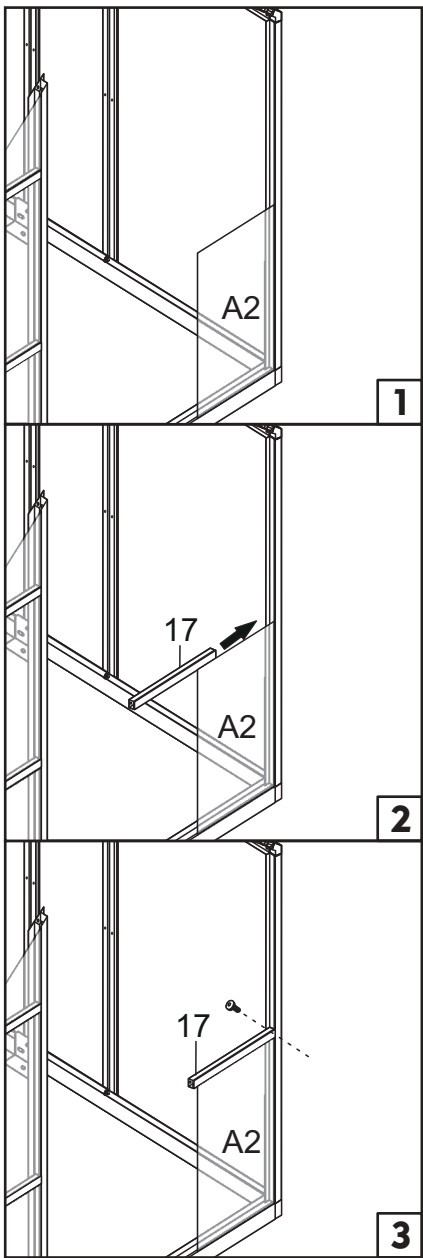
Picture	NO.	Qty.
	C	1
	A2	1
	17	2
	42	2

# STEP 28



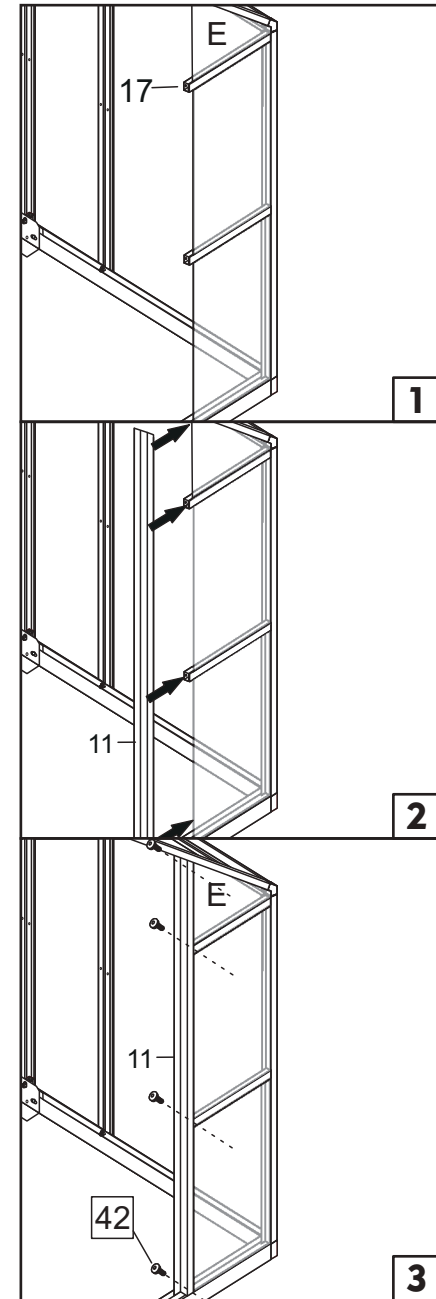
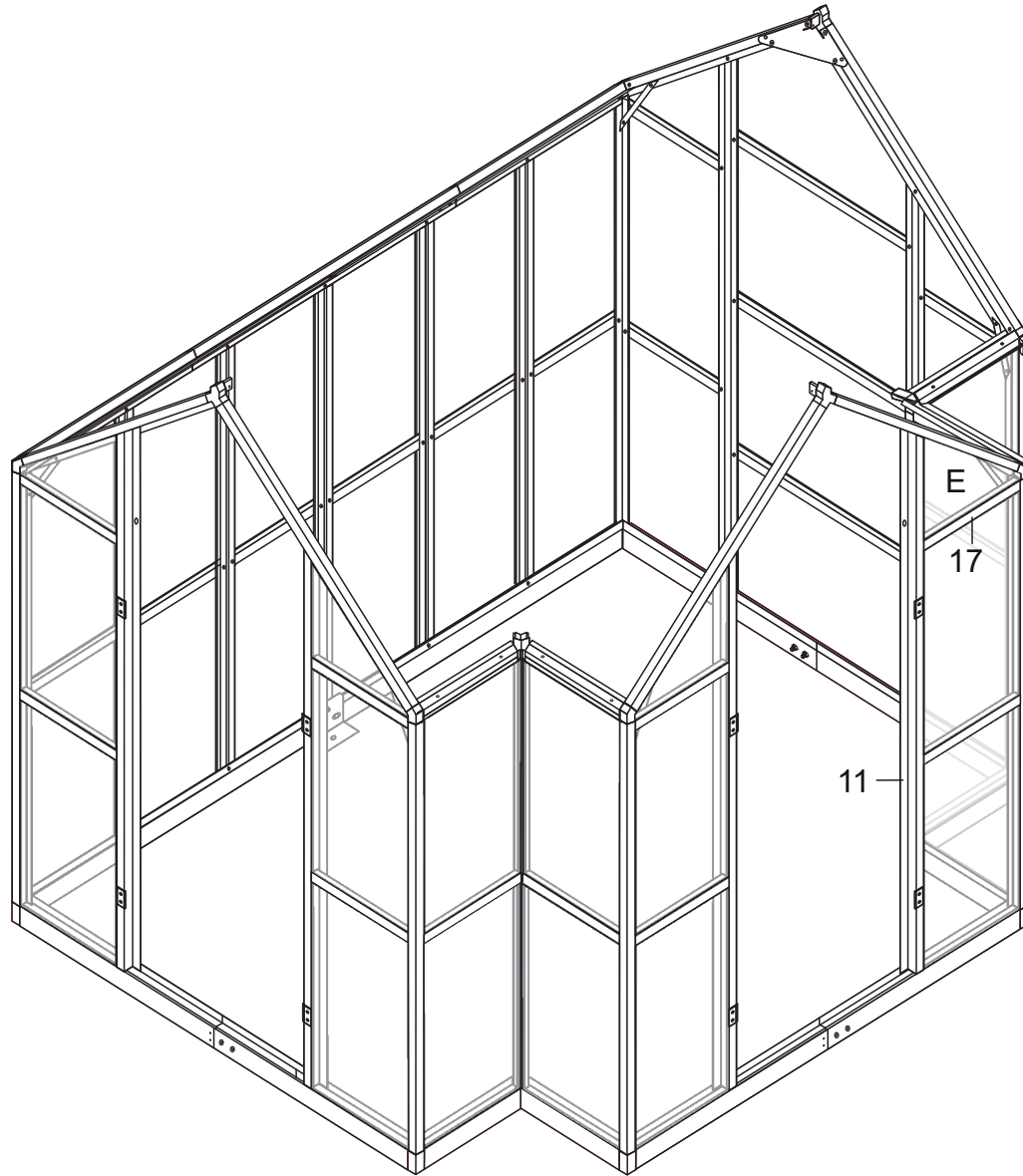
Picture	NO.	Qty.
	E	1
	10	1
	42	4




# STEP 29



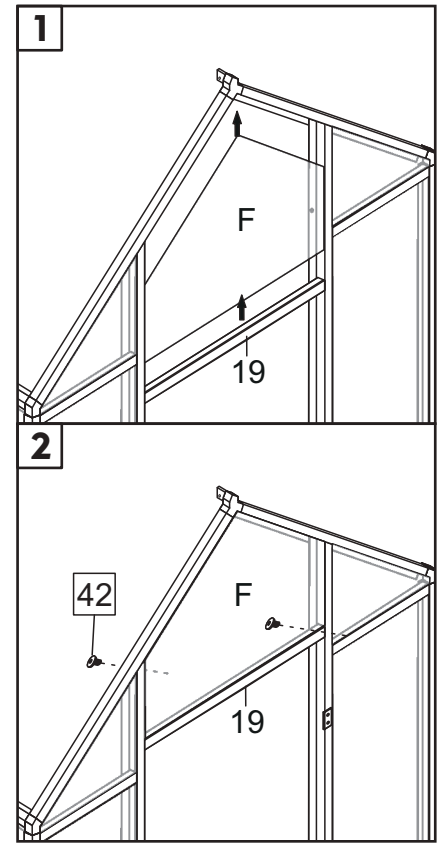
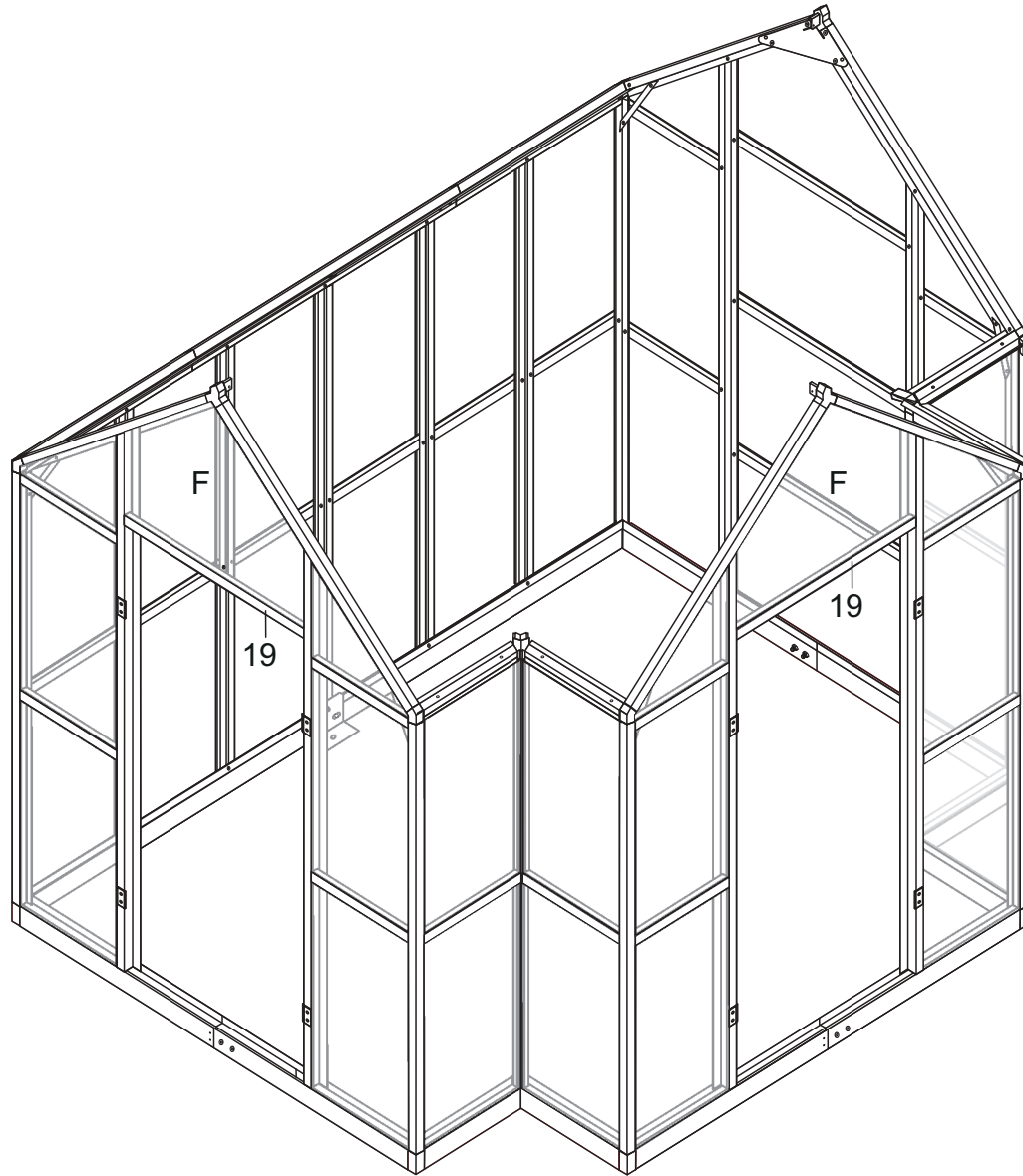
Picture	NO.	Qty.
	C	1
	A2	1
	17	2
	42	2




# STEP 30



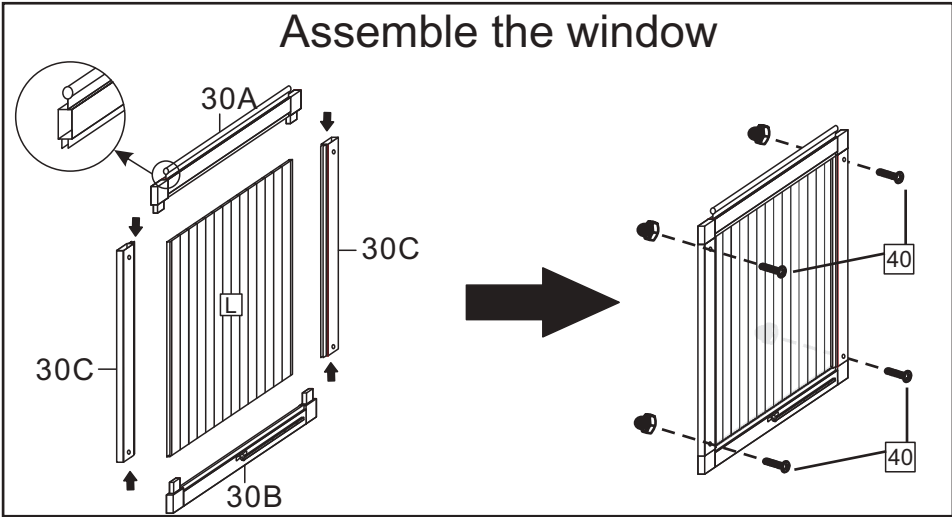
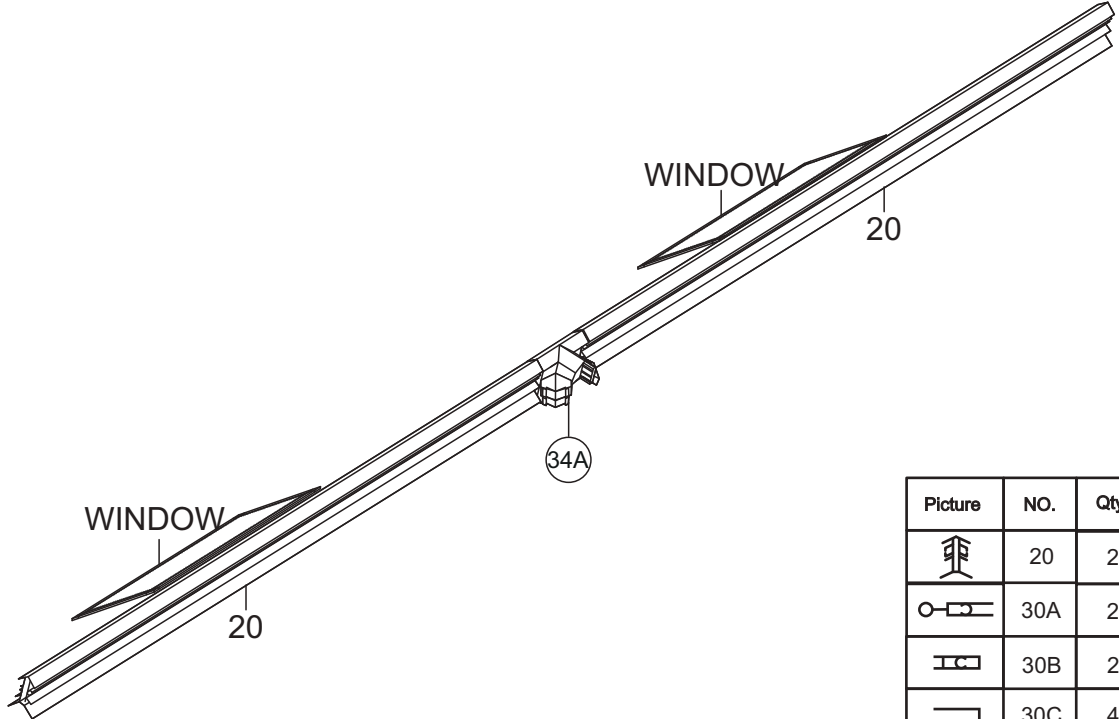
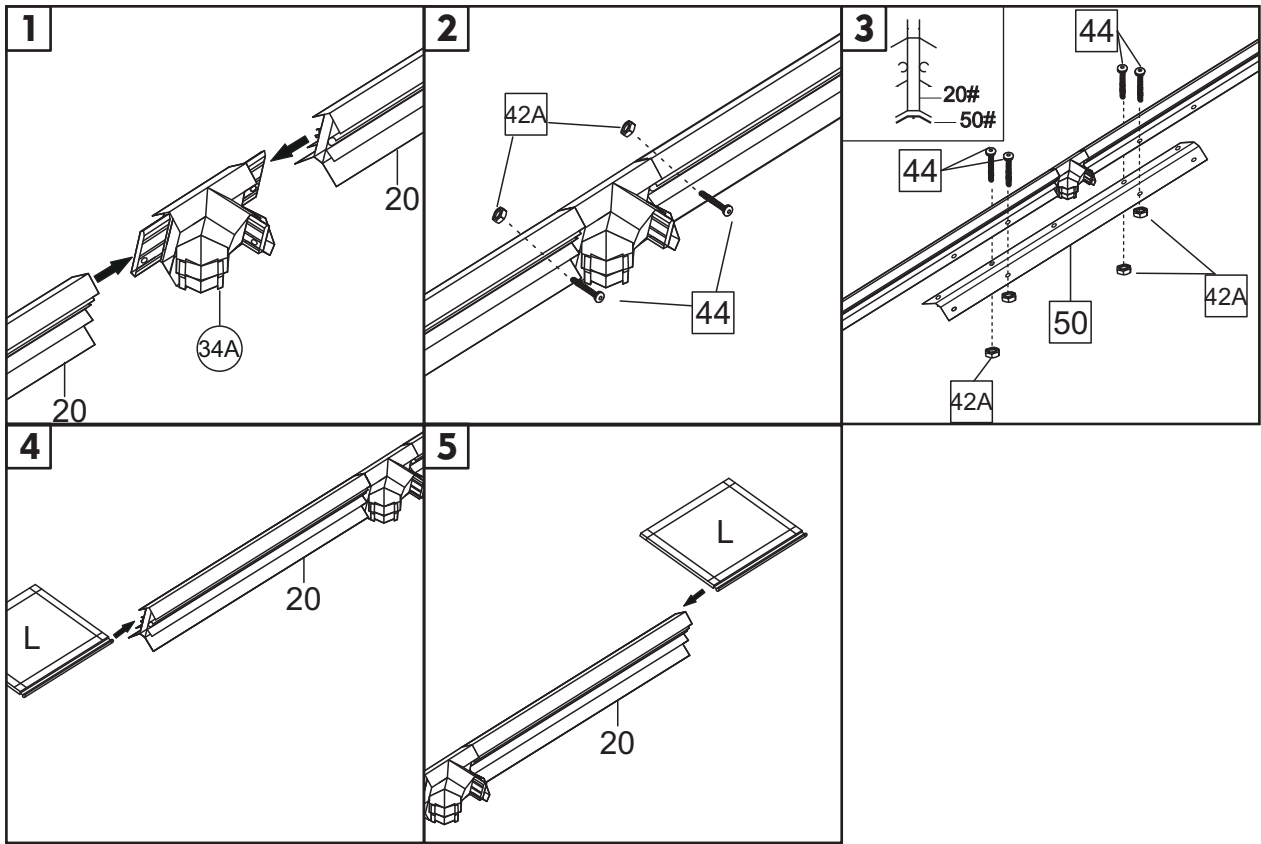
Picture	NO.	Qty.
	E	1
	11	1
	42	4

# STEP 31



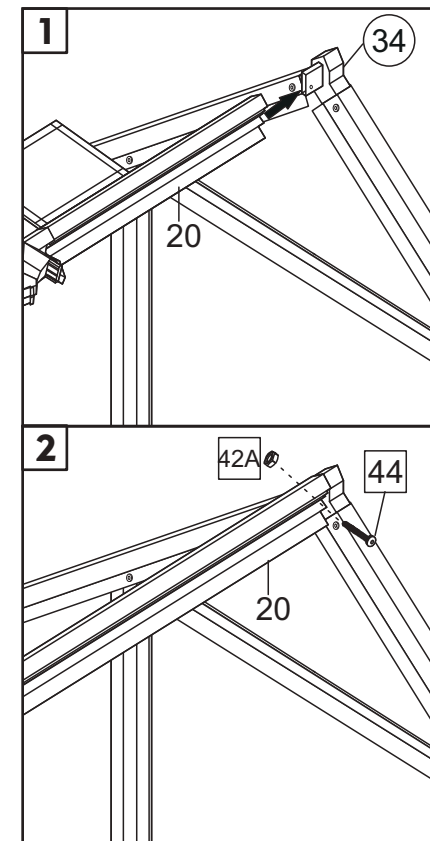
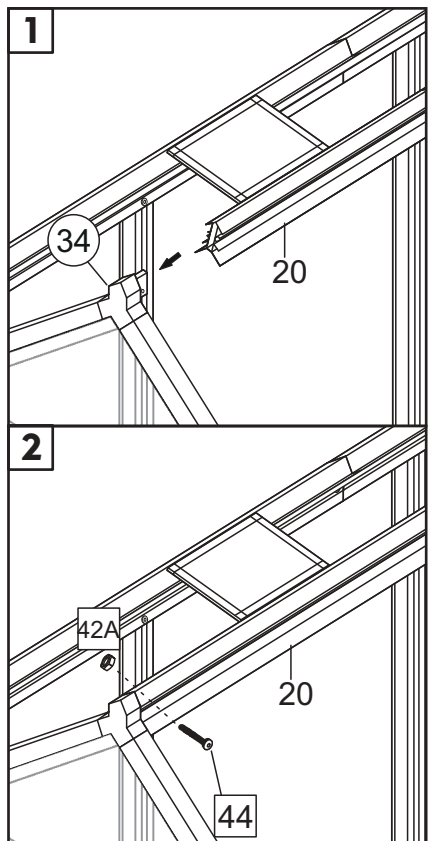
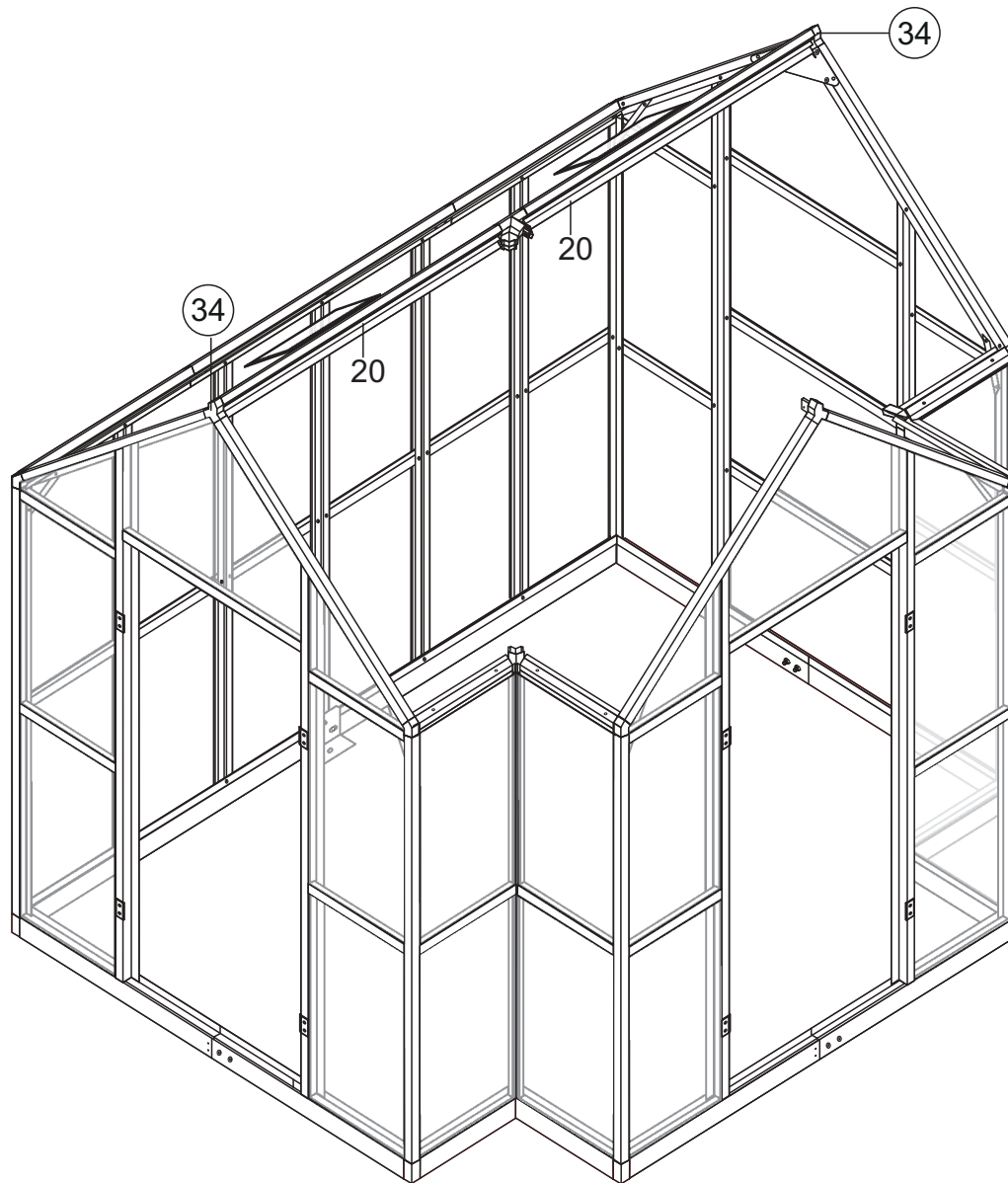
Picture	NO.	Qty.
	19	2
	F	2
	42	4



# STEP 32



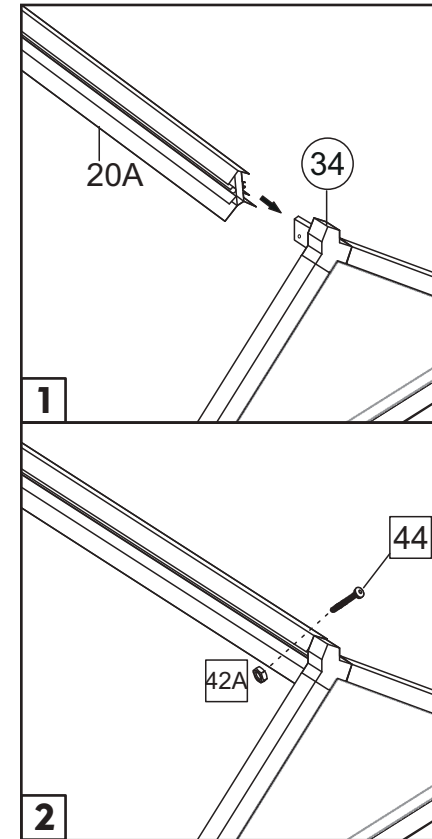
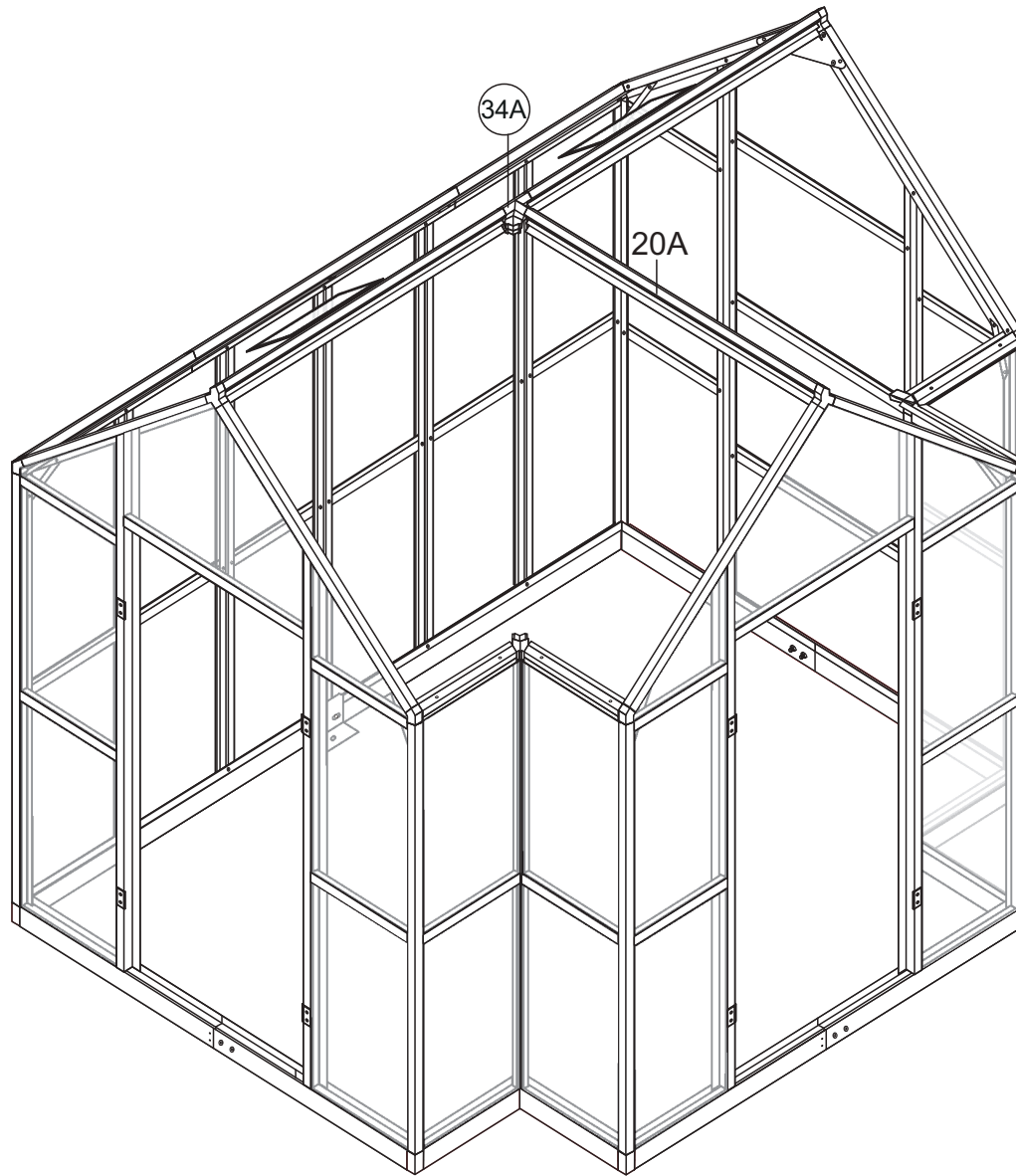
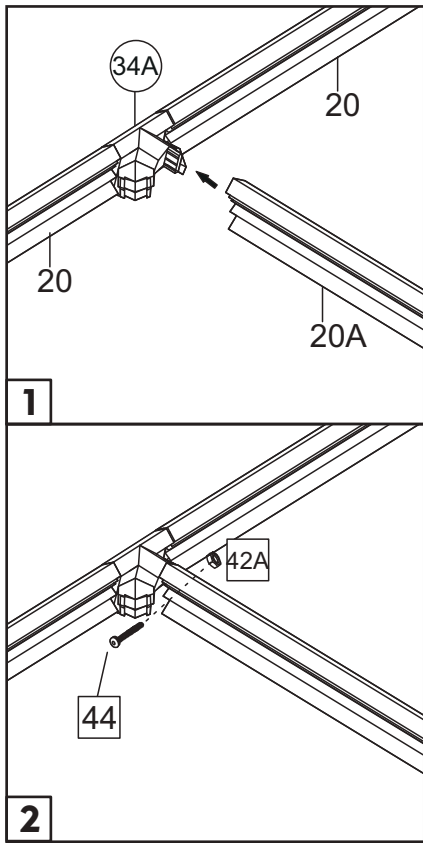
Picture	NO.	Qty.
	20	2
	30A	2
	30B	2
	30C	4
	L	2
	40	8
	34A	1
	42A	6
	44	6
	50	1




# STEP 33



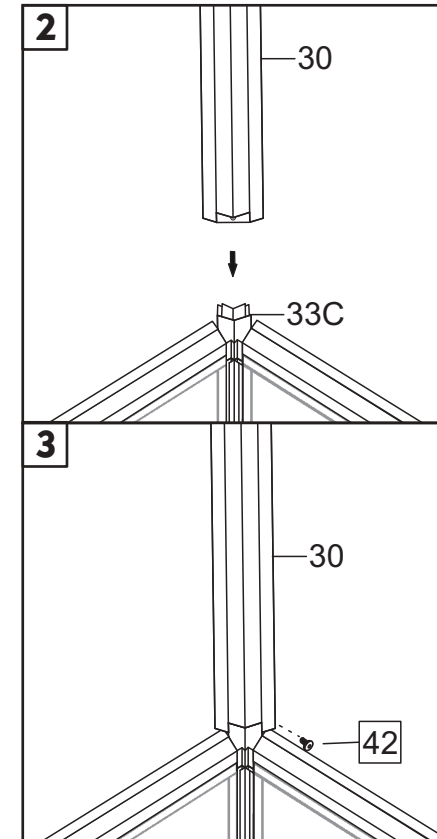
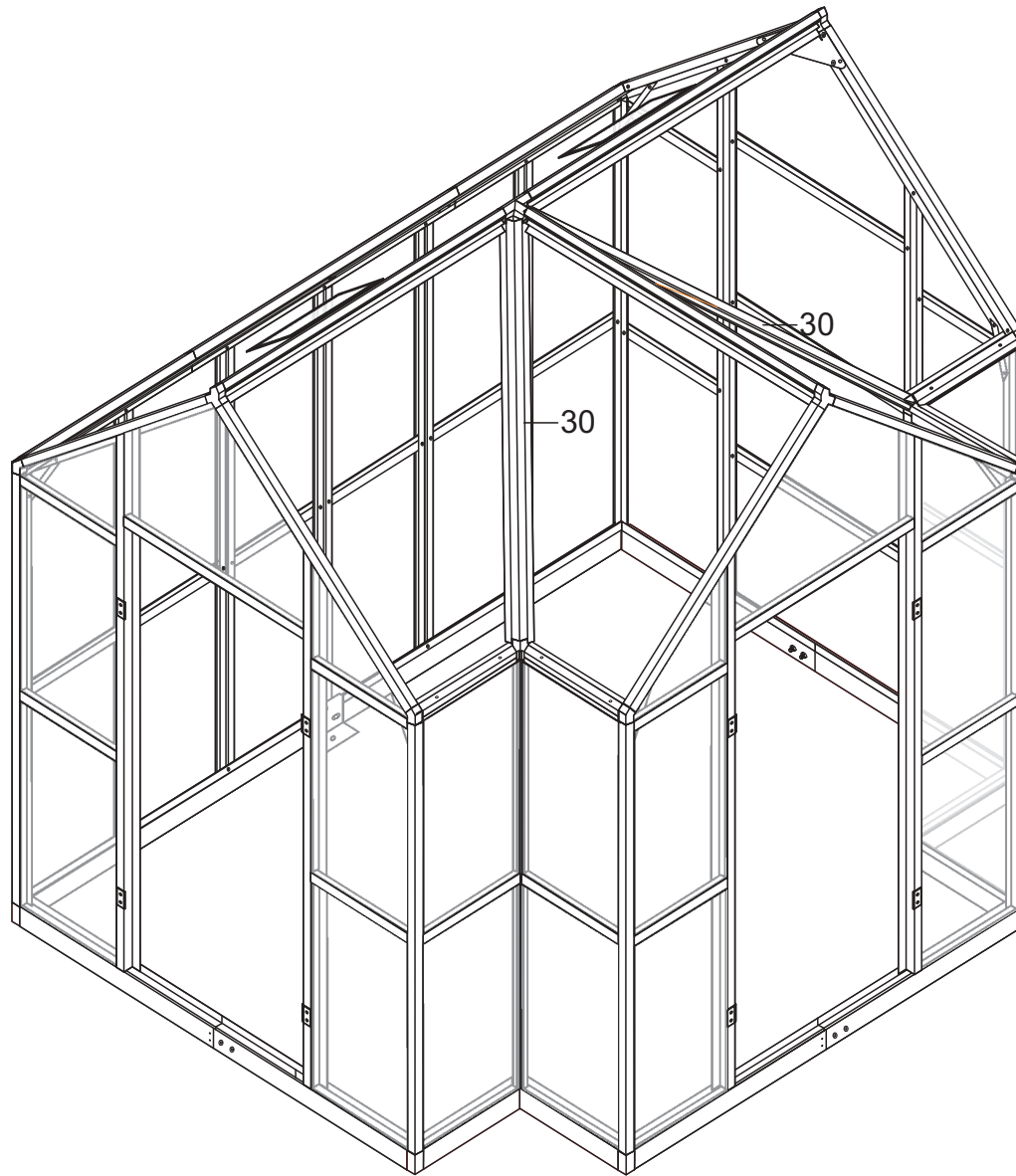
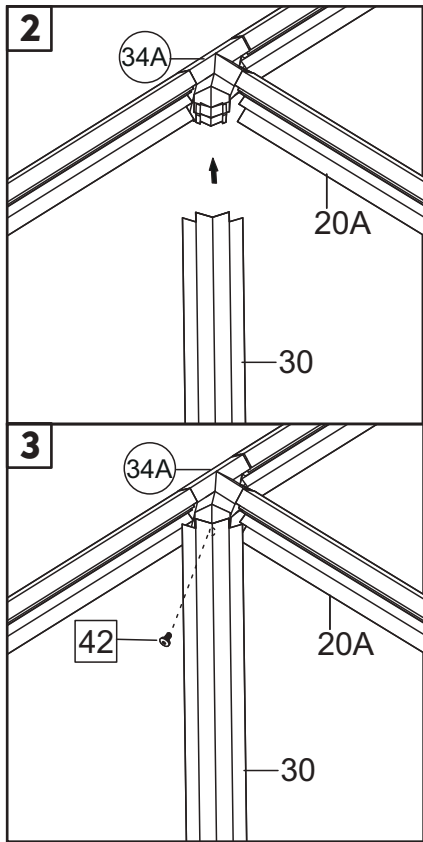
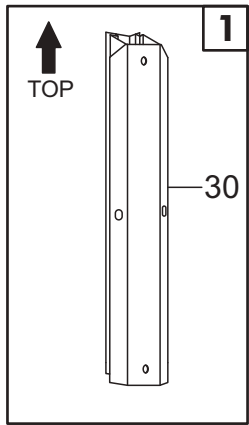
Picture	NO.	Qty.
	44	2
	42A	2



# STEP 34



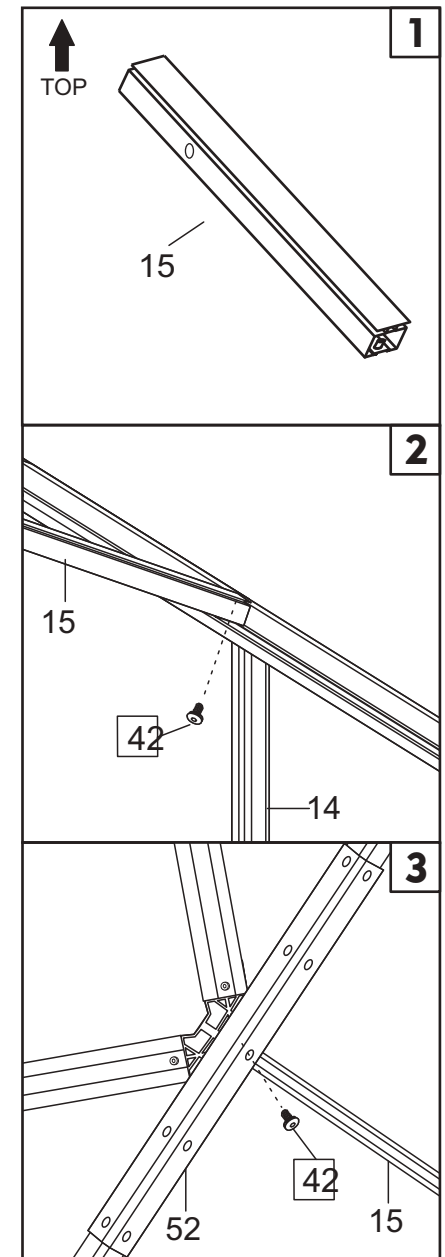
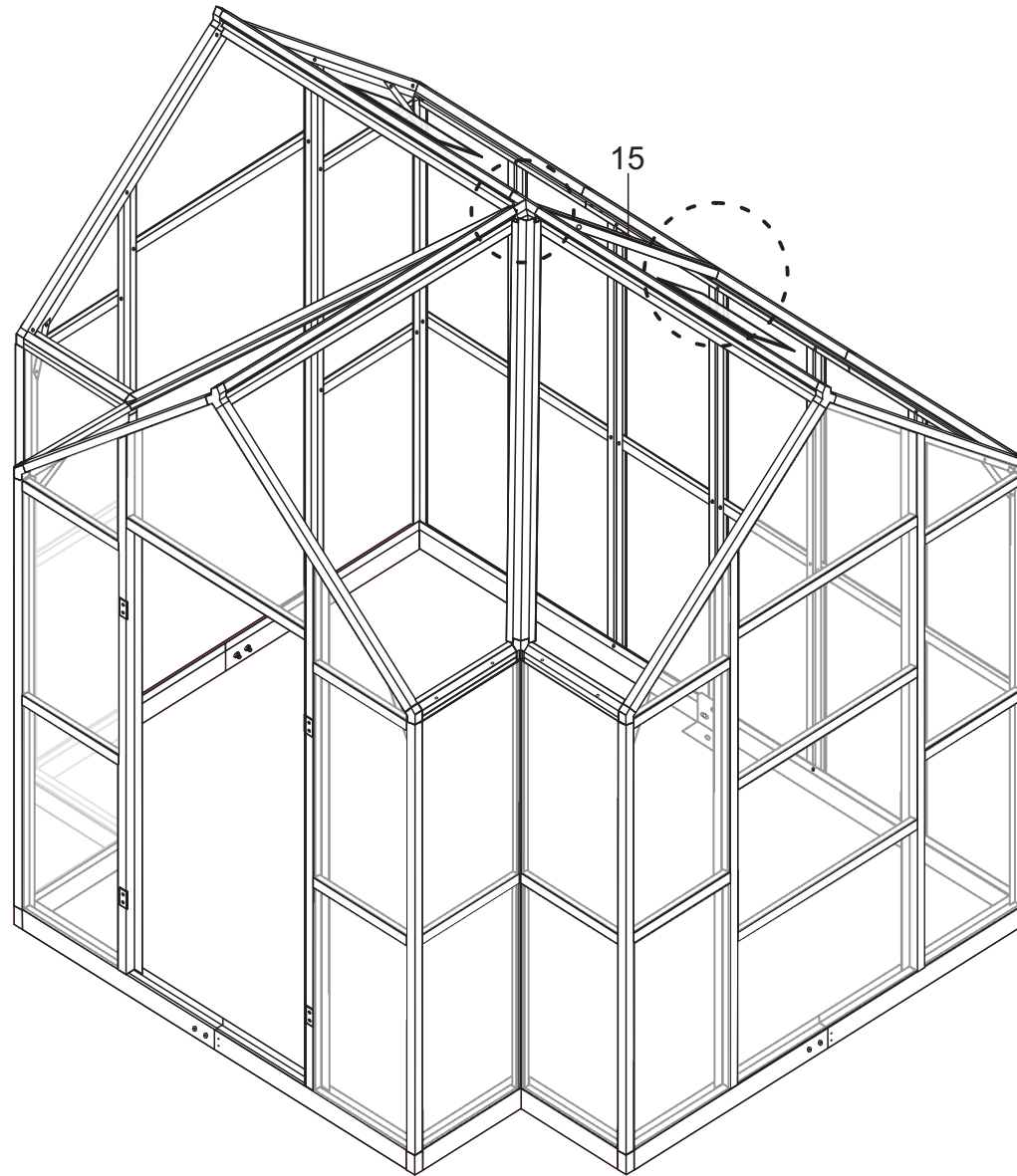
Picture	NO.	Qty.
	20A	1
	44	2
	42A	2



# STEP 35



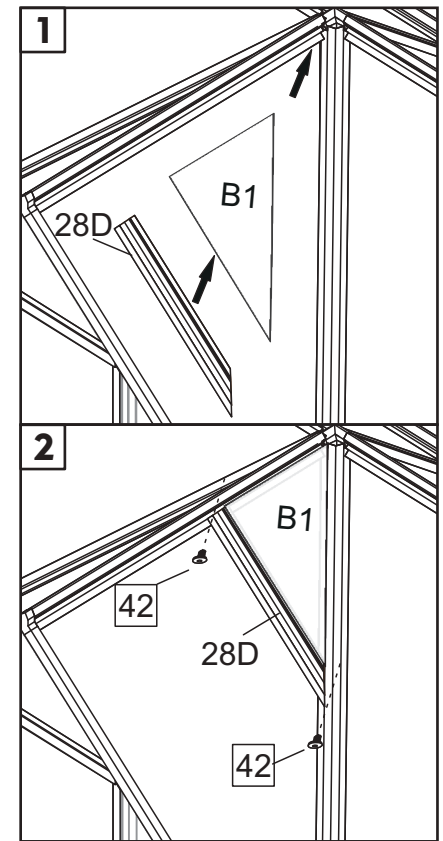
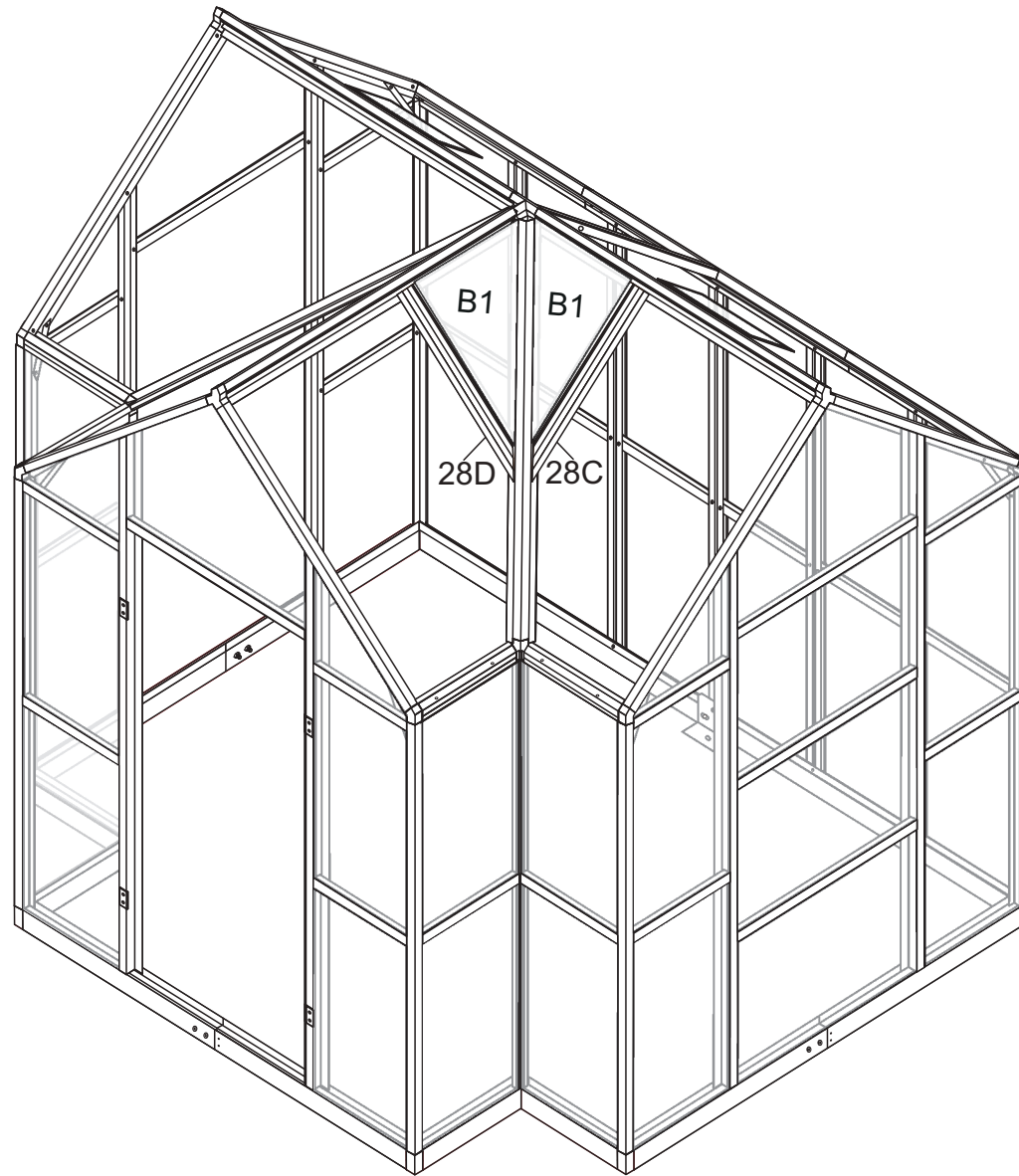
Picture	NO.	Qty.
	30	2
	42	4





# STEP 36



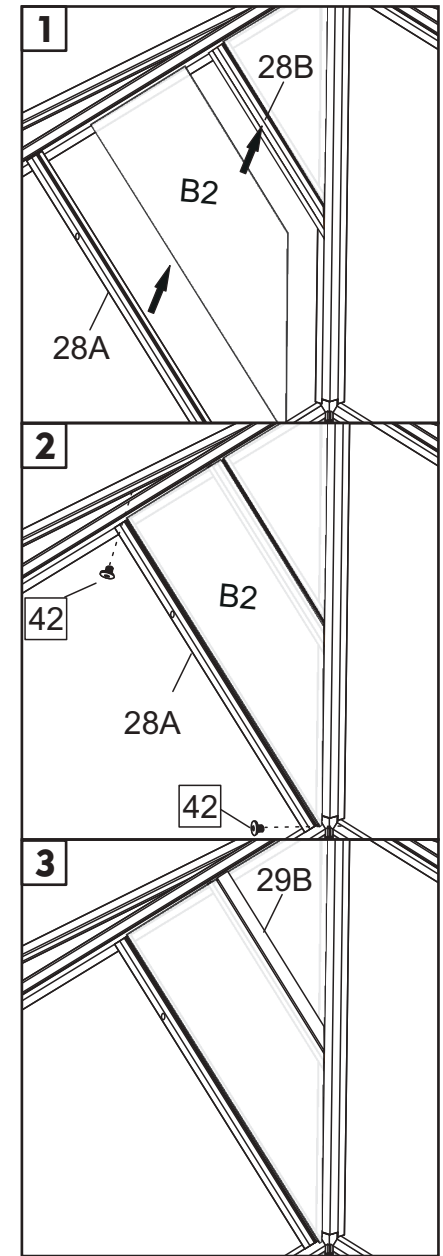
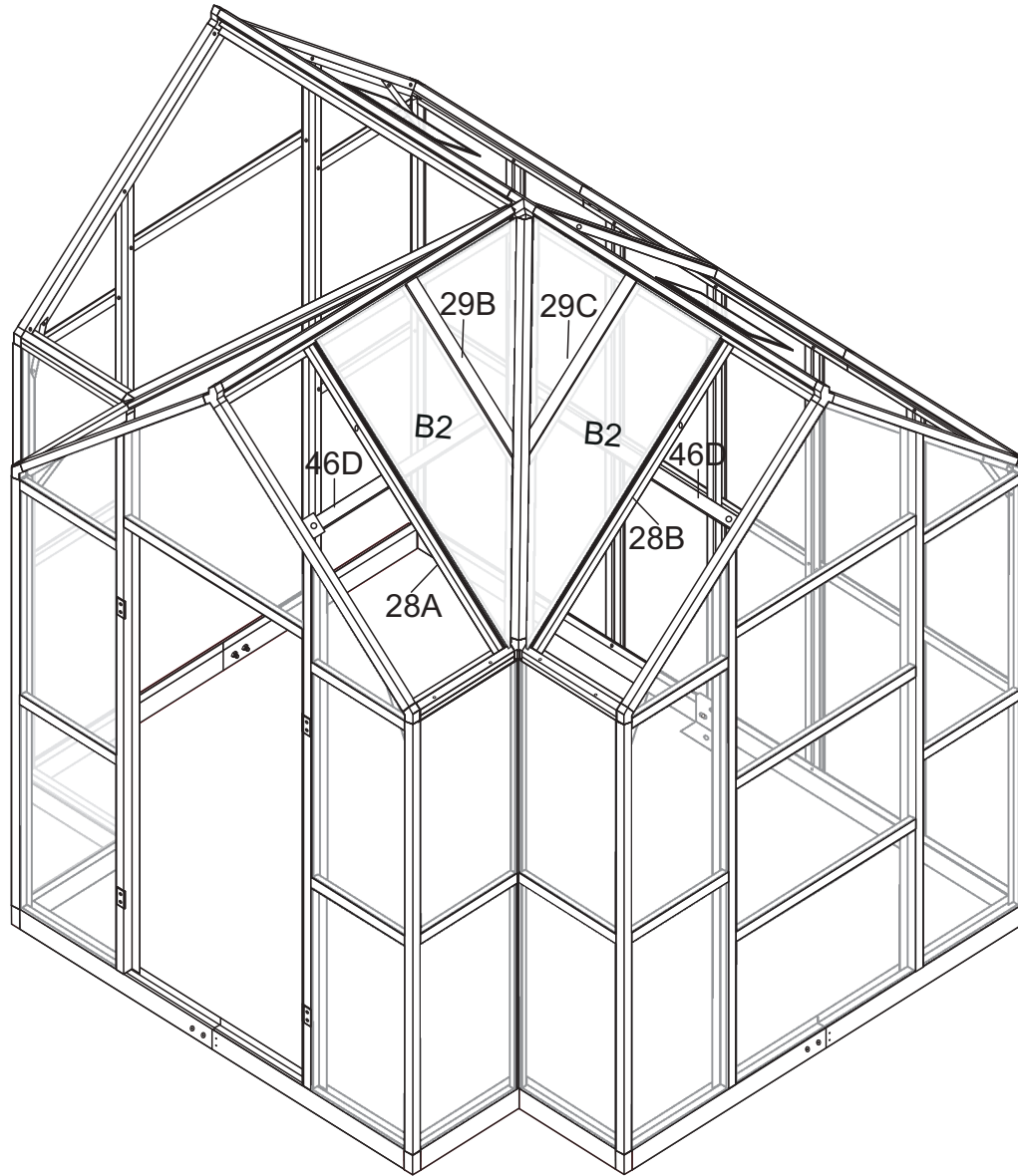
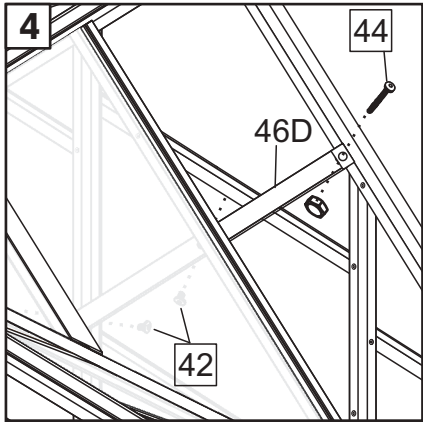
Picture	NO.	Qty.
	15	1
	42	2

# STEP 37



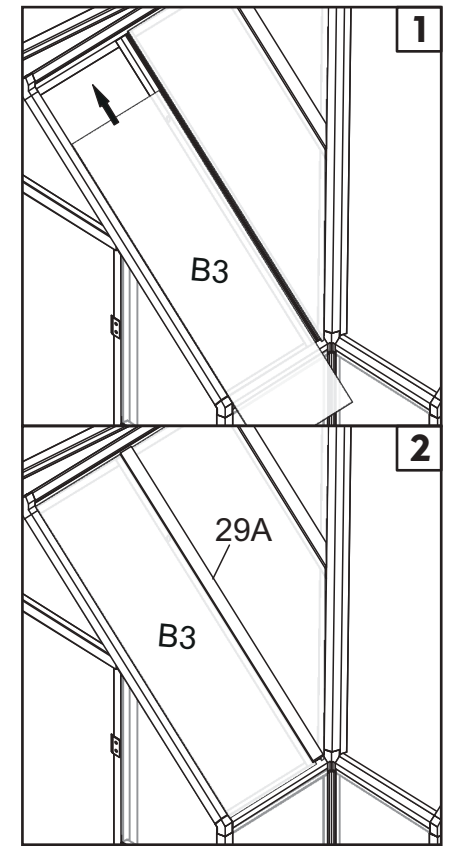
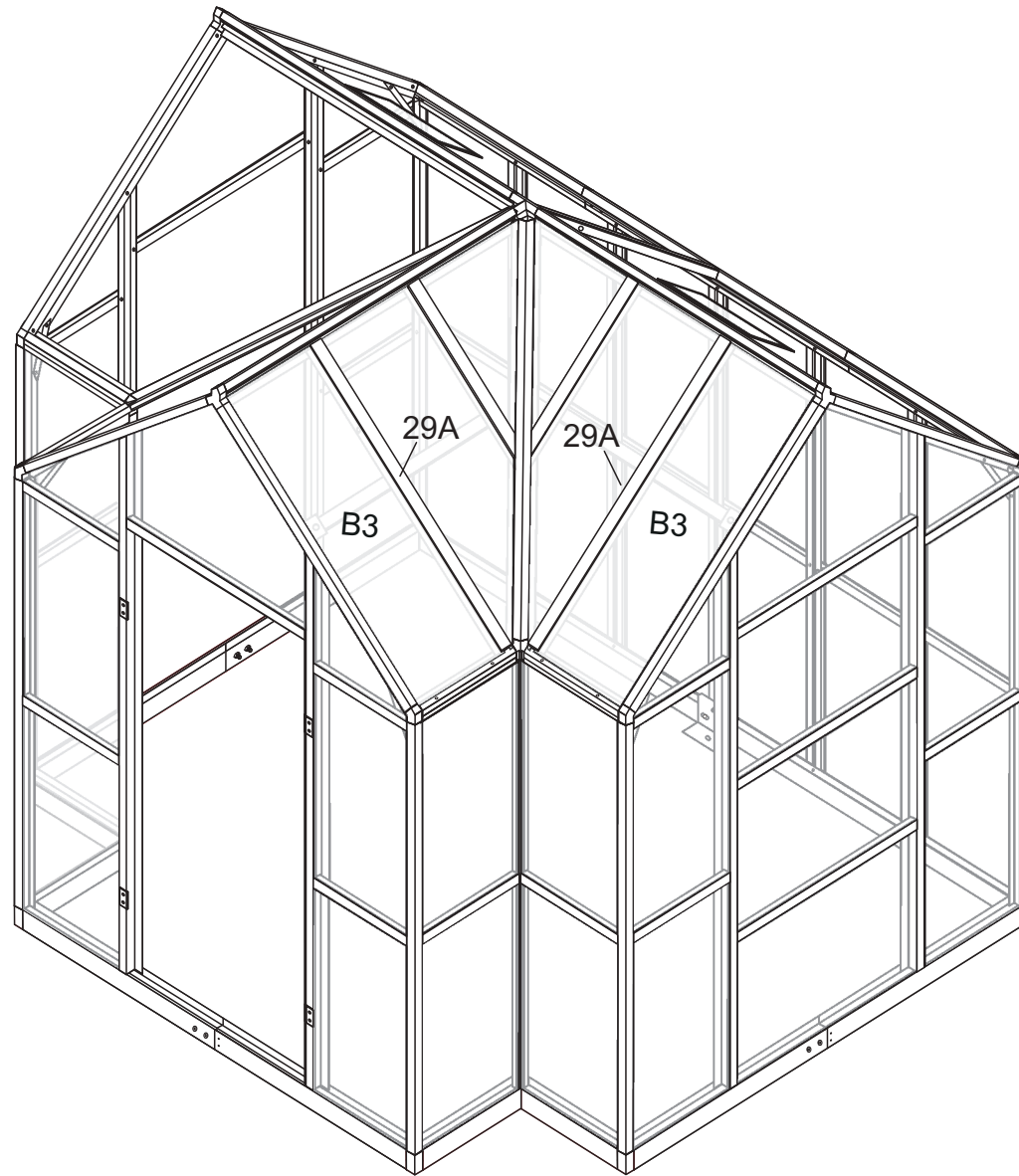
Picture	NO.	Qty.
	B1	2
	28D	1
	28C	1
	42	4

# STEP 38



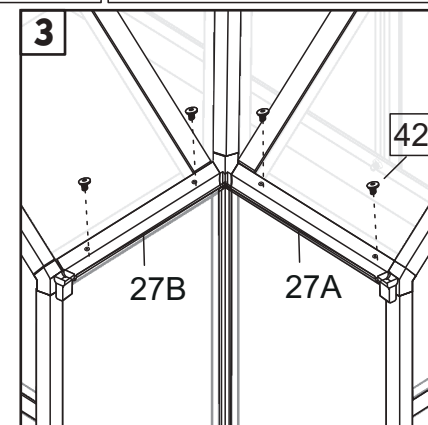
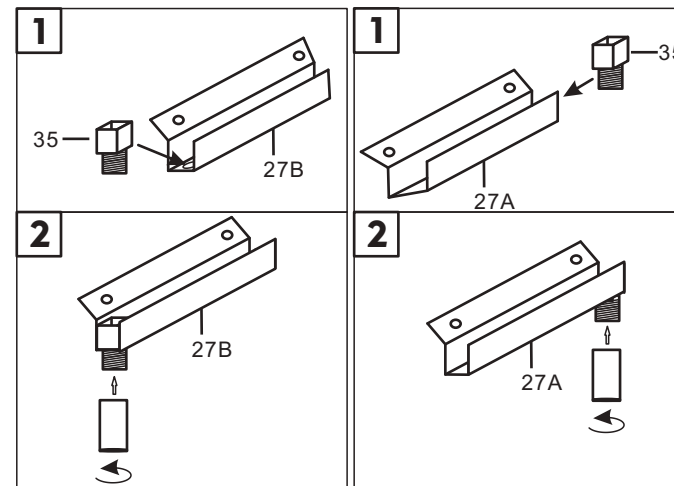
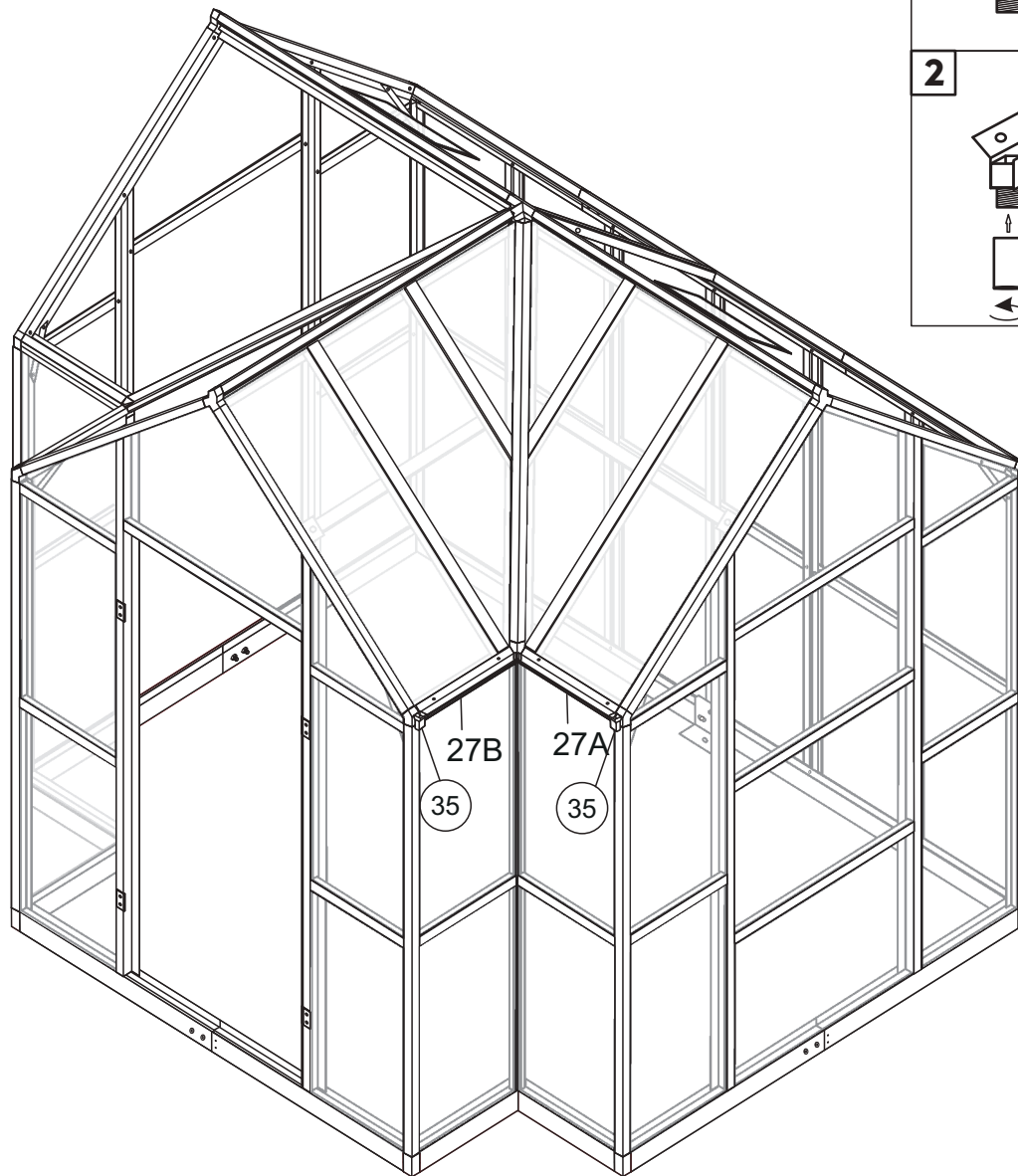
Picture	NO.	Qty.
	28A	1
	28B	1
	29B	1
	29C	1
	46D	2
	42	8
	44	2
	42A	2
	B2	2

# STEP 39



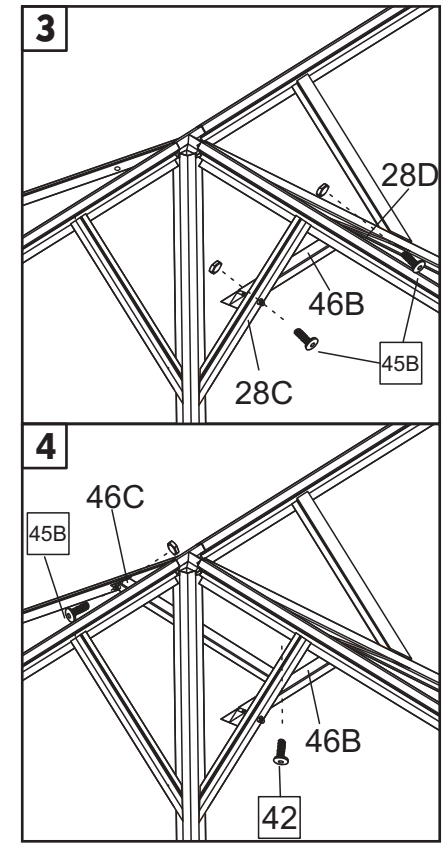
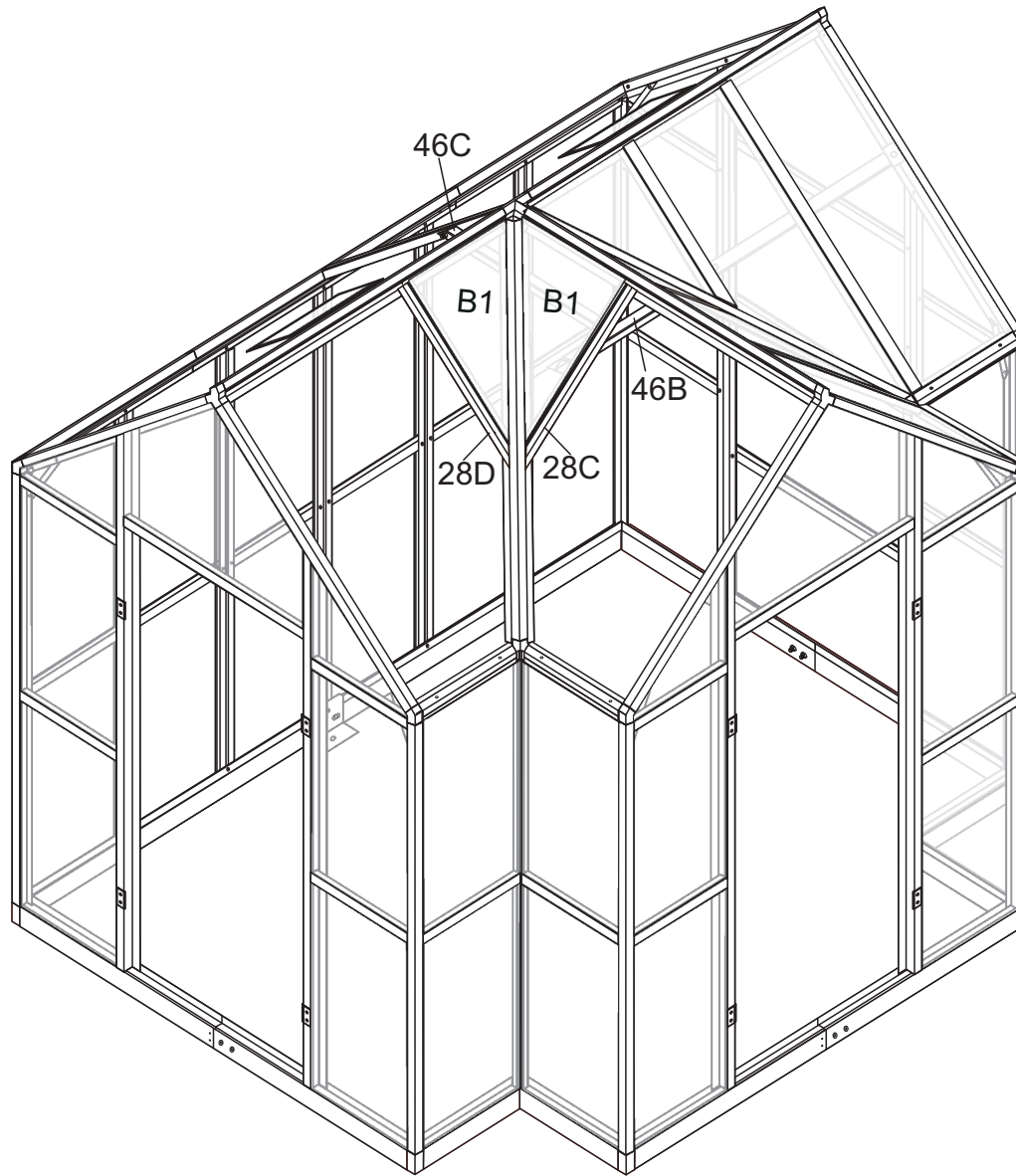
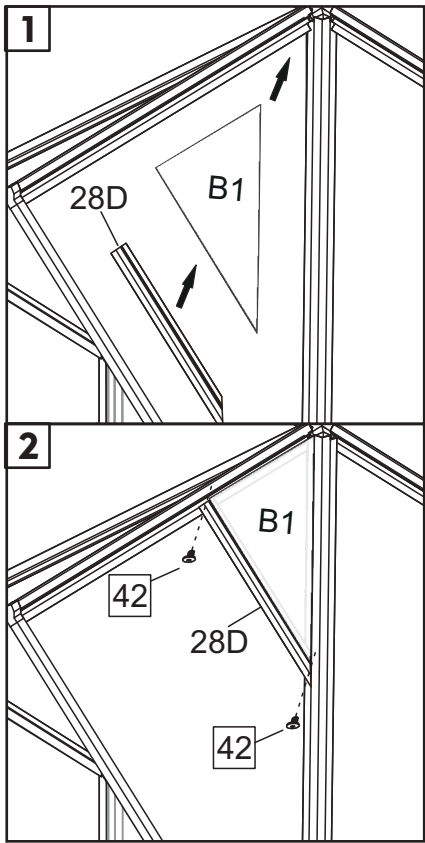
Picture	NO.	Qty.
	B3	2
	29A	2

# STEP 40



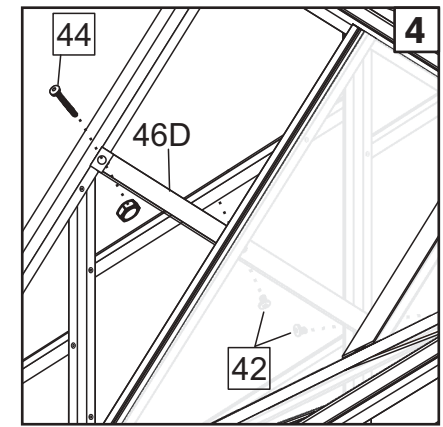
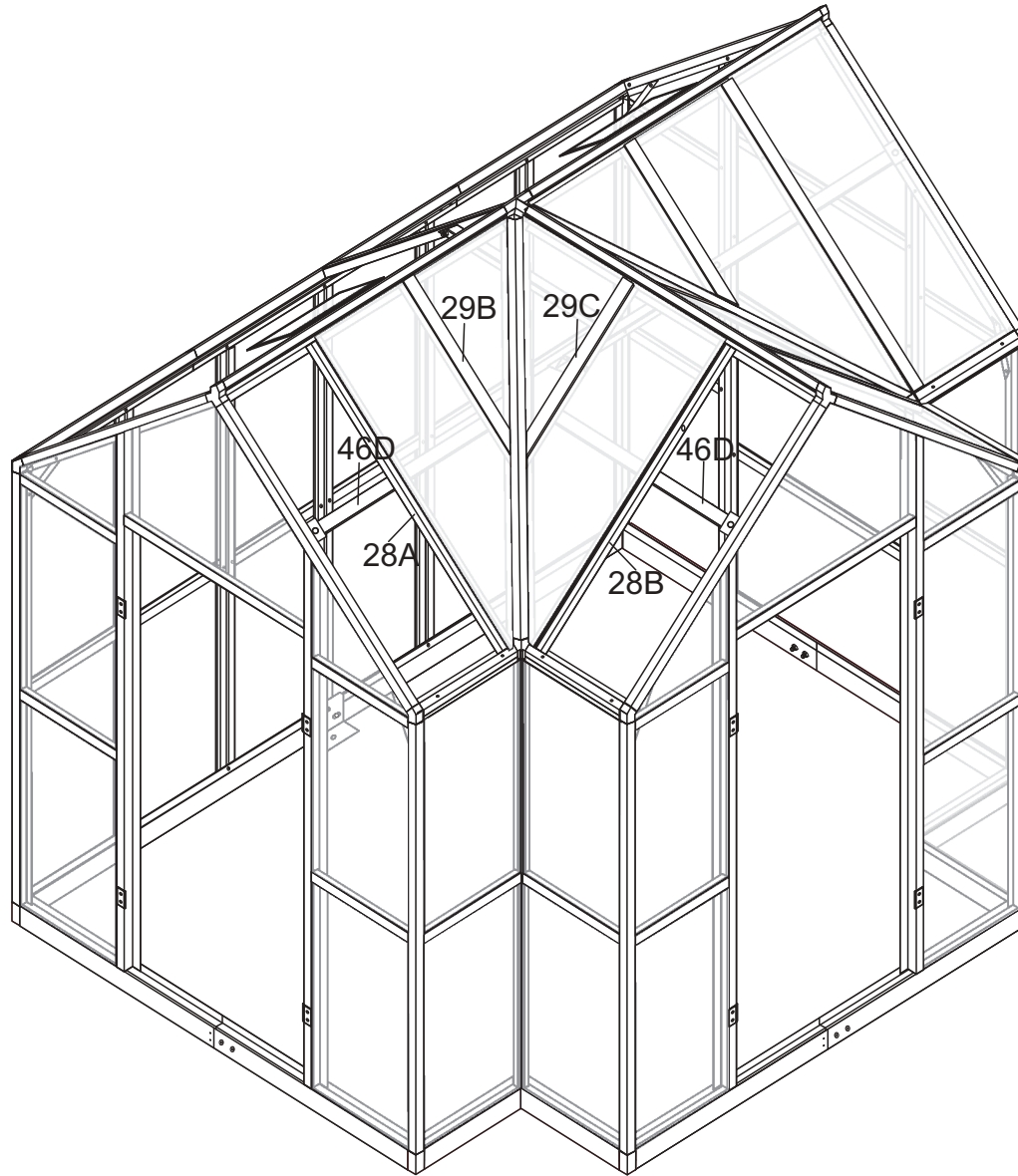
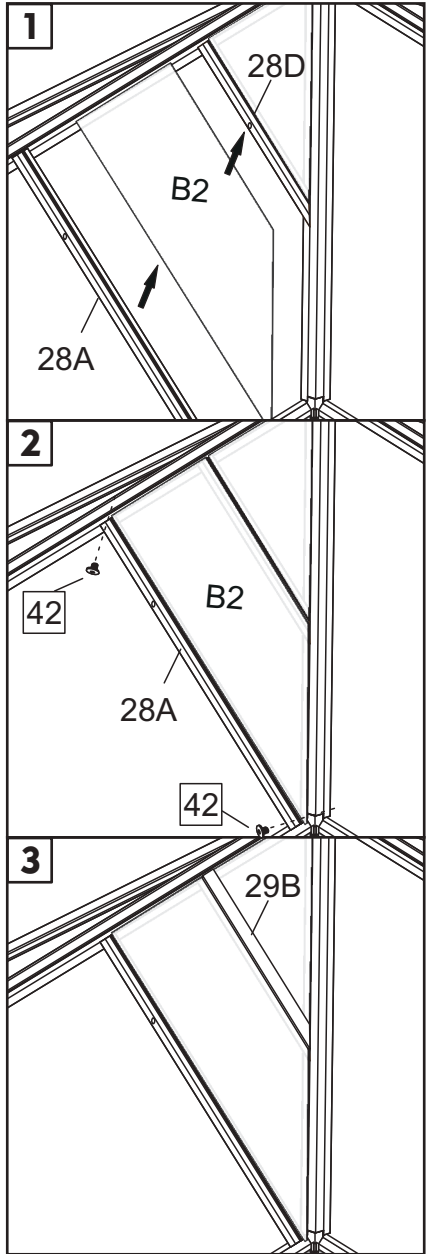
Picture	NO.	Qty.
	27A	1
	27B	1
	35	2
	42	4

# STEP 41



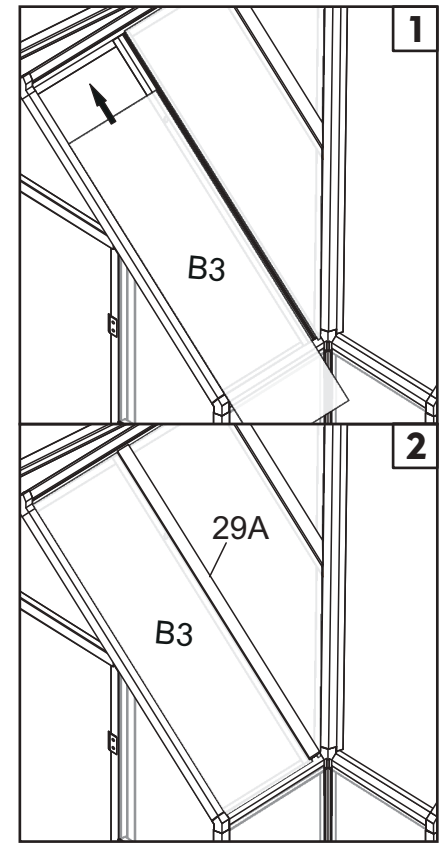
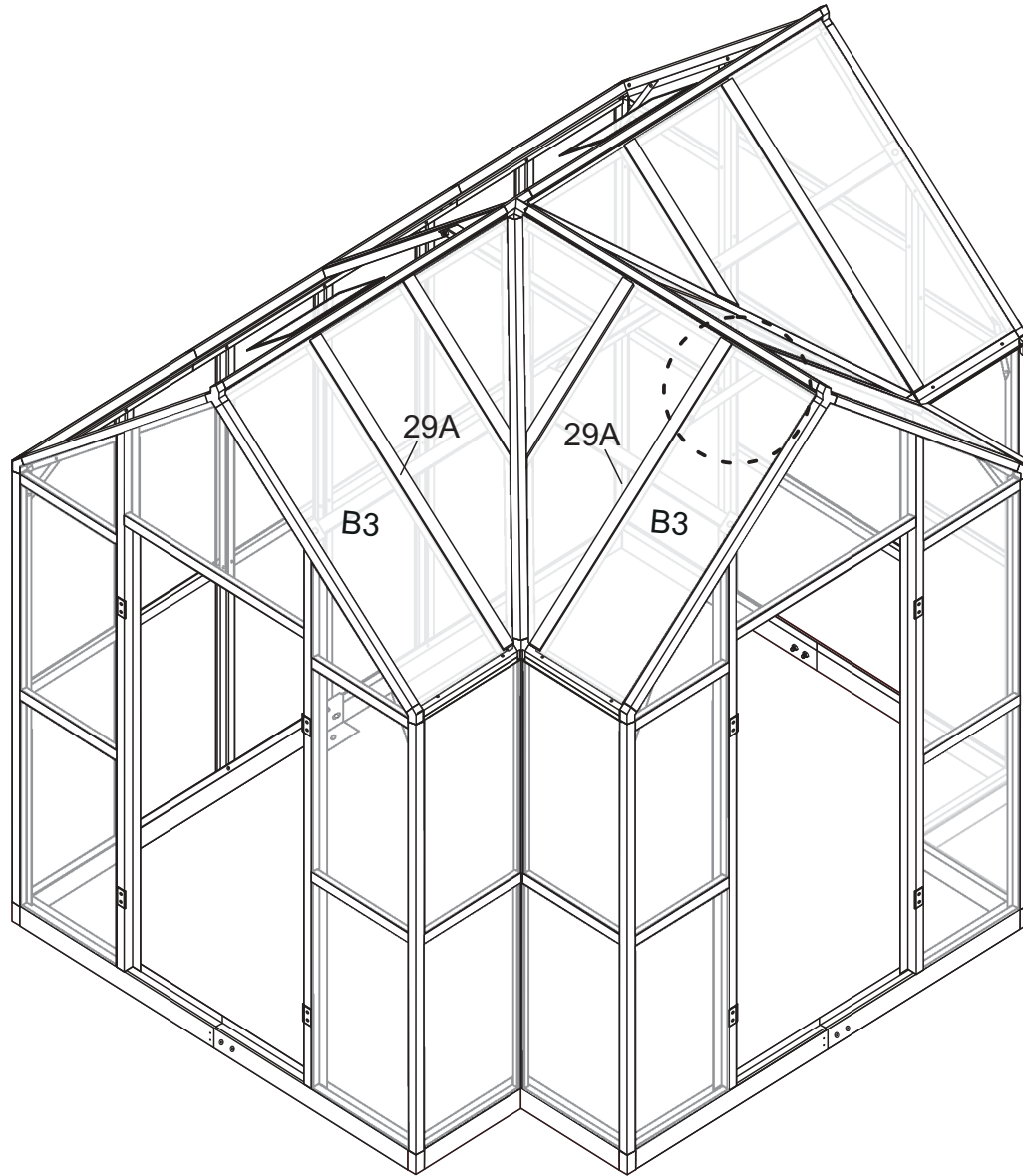
Picture	NO.	Qty.			
	B1	2			
	28D	1			
	28C	1		42	5
	46B	1		42A	3
	46C	1		45B	3

# STEP 42



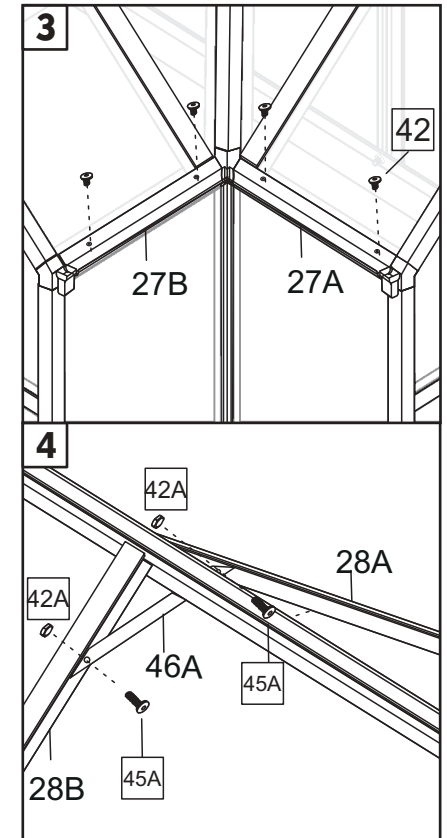
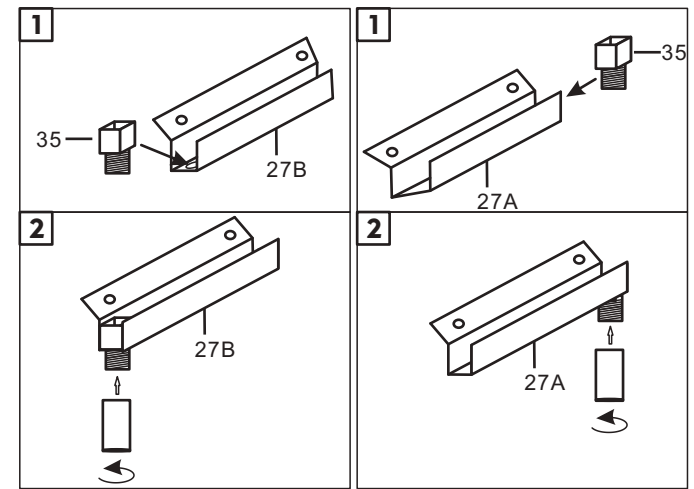
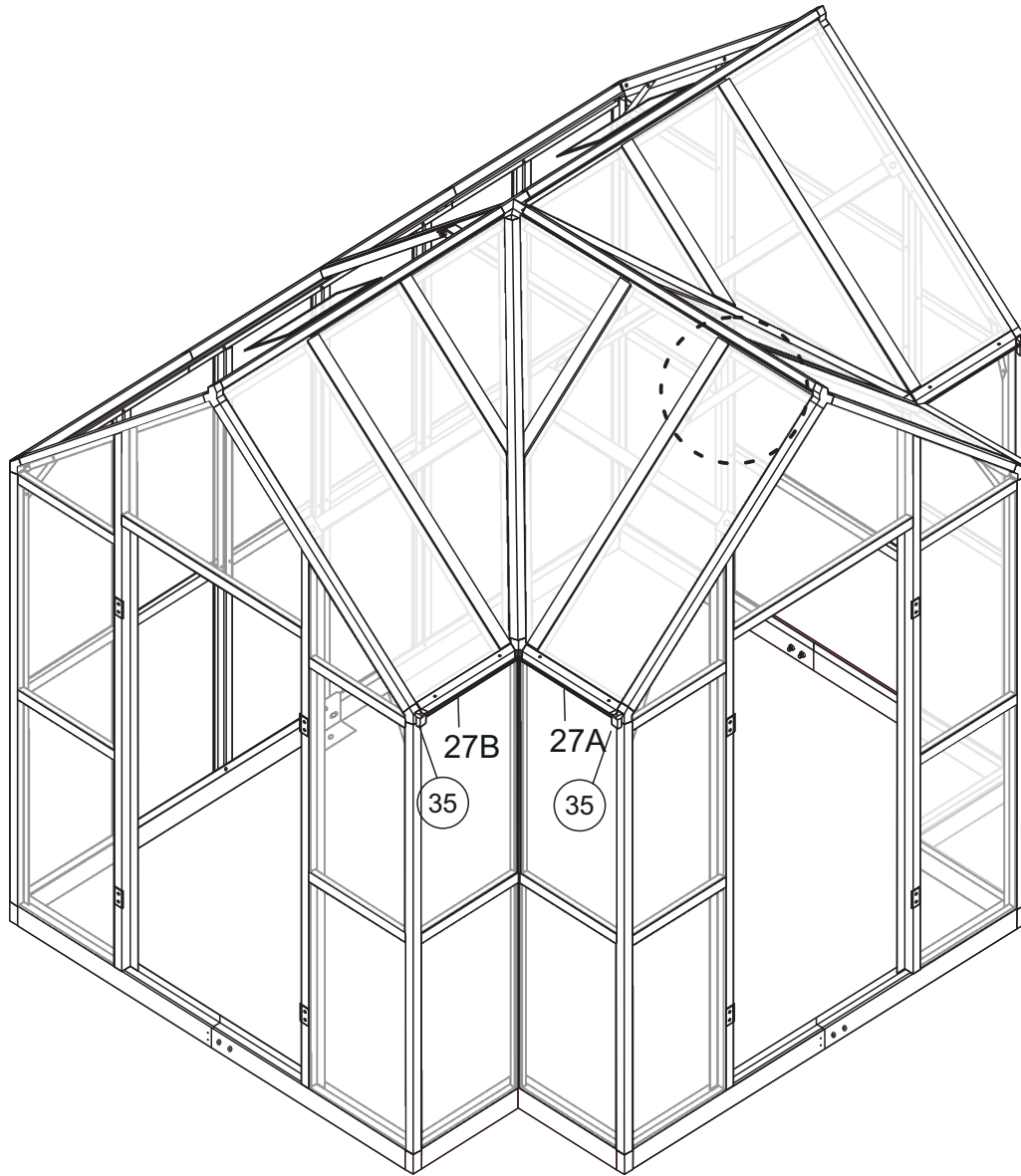
Picture	NO.	Qty.
	28A	1
	28B	1
	29B	1
	29C	1
	46D	2
	42	8
	42A	2
	44	2
	B2	2

# STEP 43



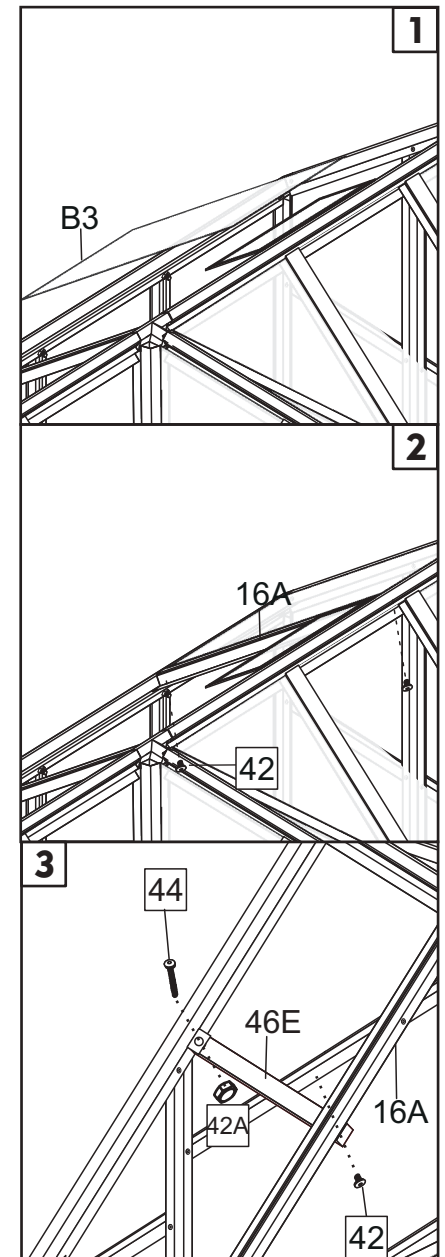
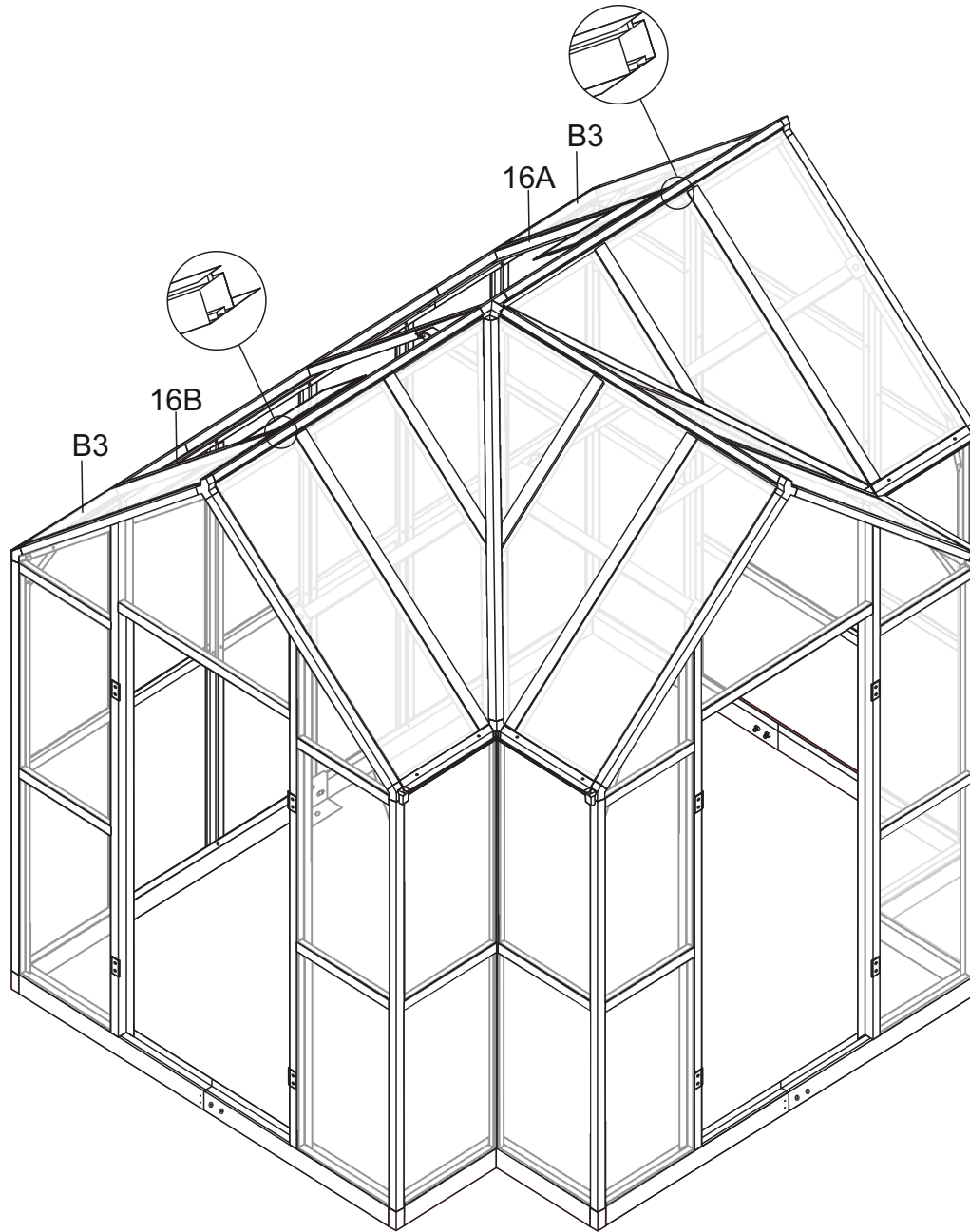
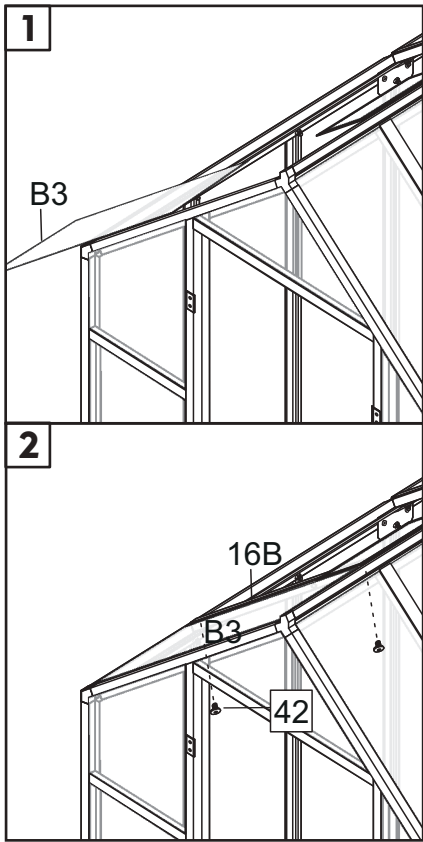
Picture	NO.	Qty.
	B3	2
	29A	2

# STEP 44



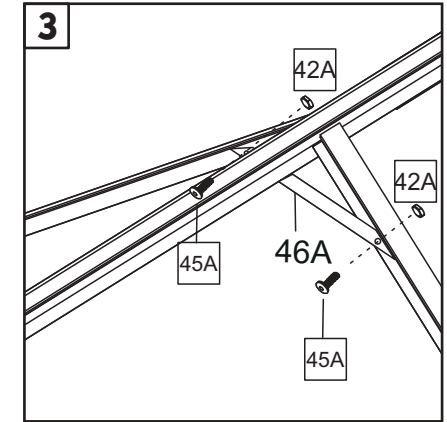
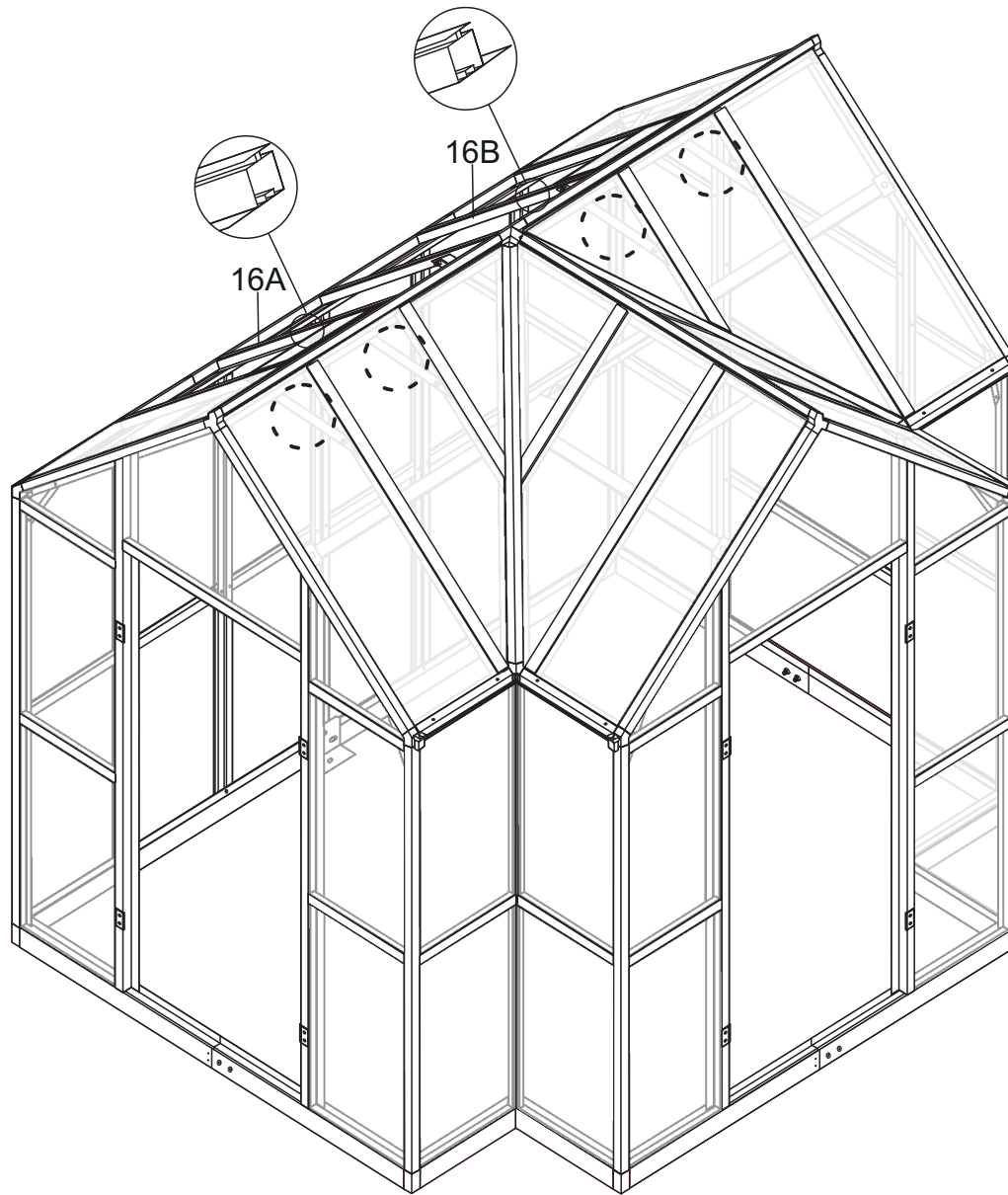
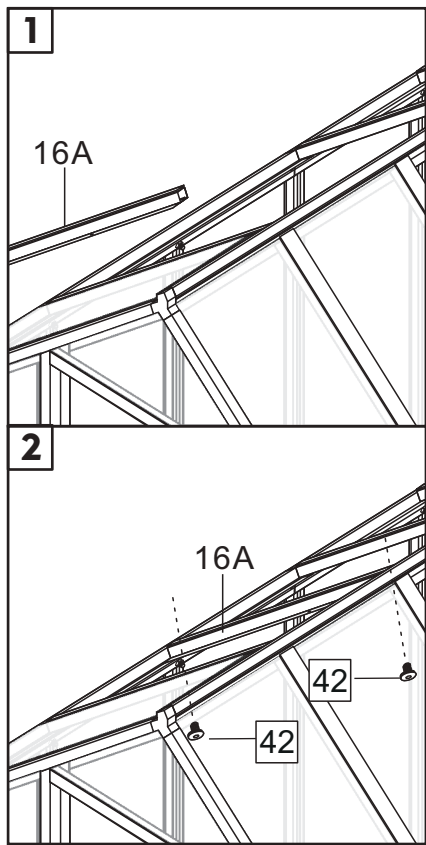
Picture	NO.	Qty.
	27A	1
	27B	1
	35	2
	42	4
	42A	2
	45A	2
	46A	1







# STEP 45



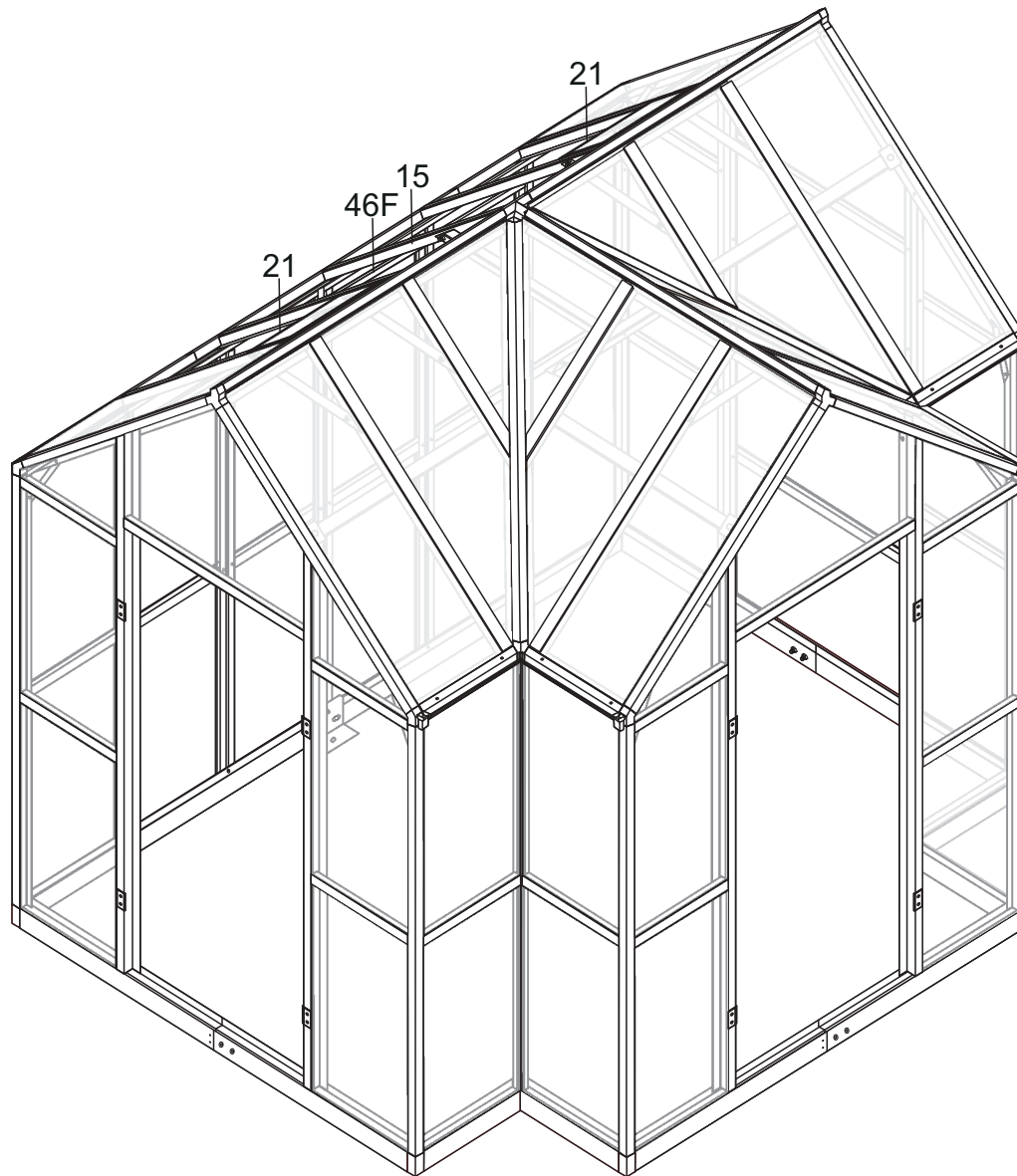
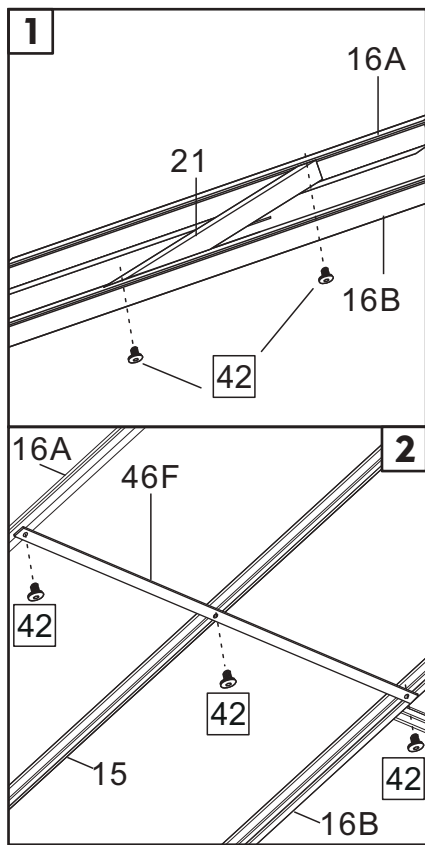
Picture	NO.	Qty.
	16A	1
	16B	1
	42	6
	B3	2
	46E	2
	44	2
	42A	2




# STEP 46



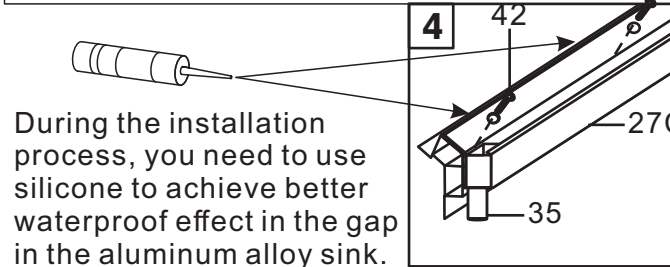
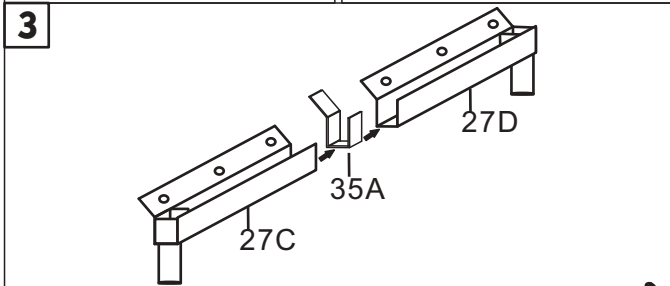
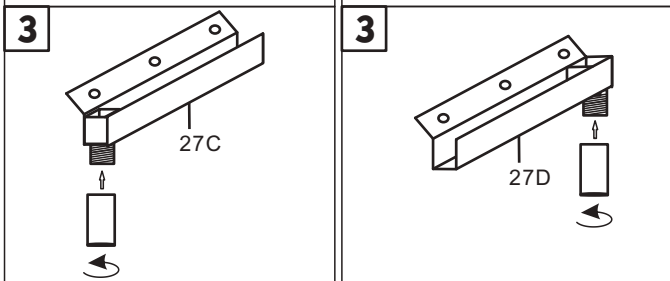
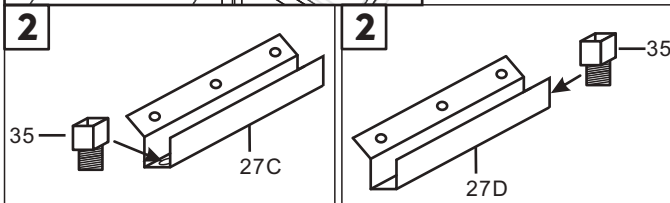
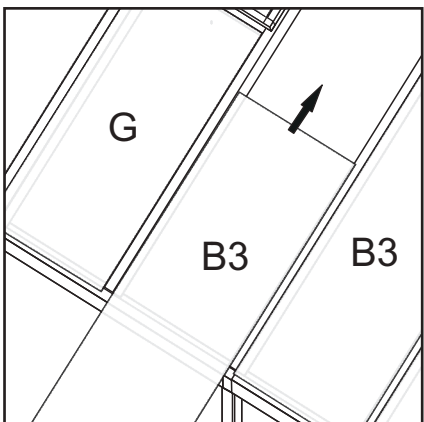
Picture	NO.	Qty.
	16A	1
	16B	1
	42	4
	42A	8
	45A	8
	46A	4

# STEP 47

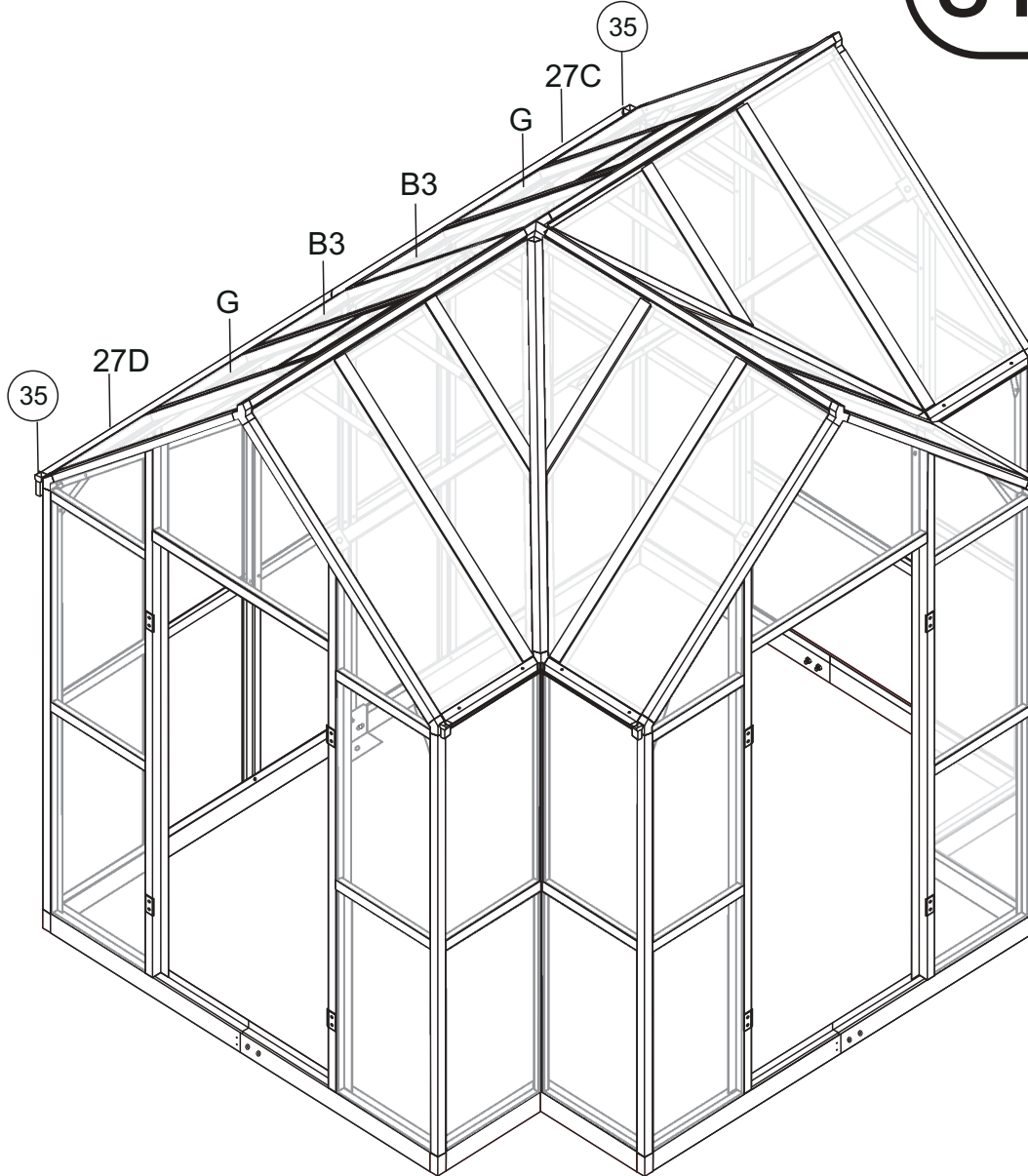


Picture	NO.	Qty.
	21	2
	42	7
	46F	1

# STEP 48

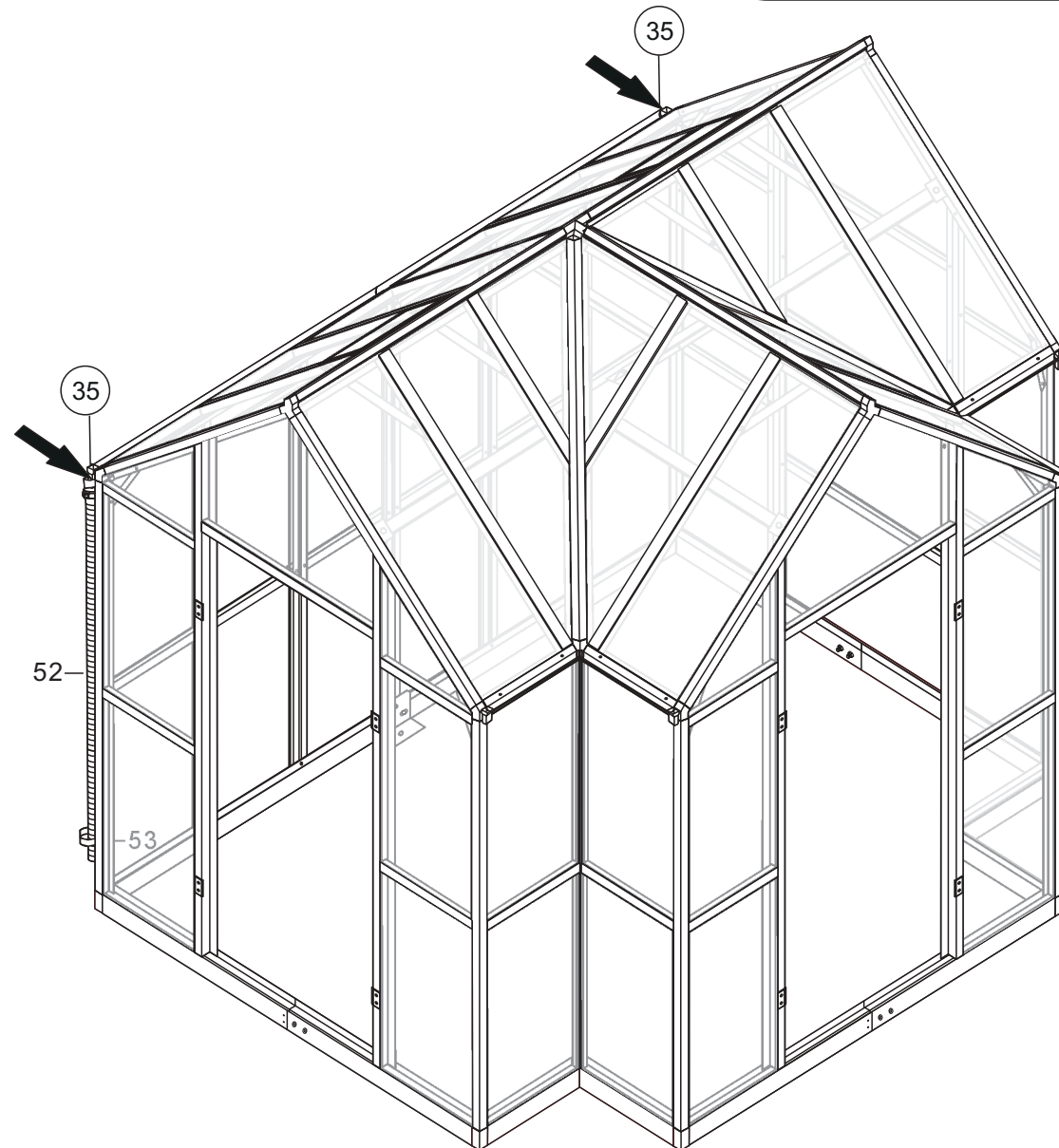
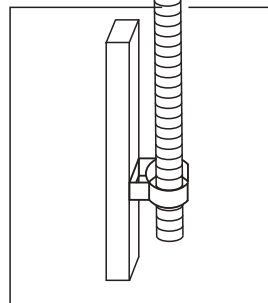
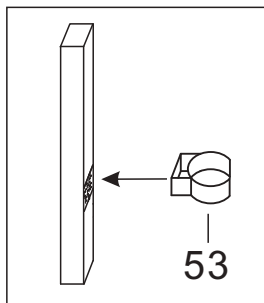
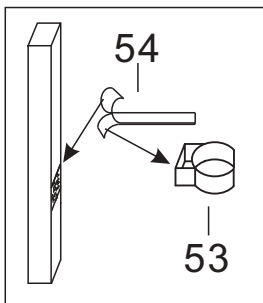
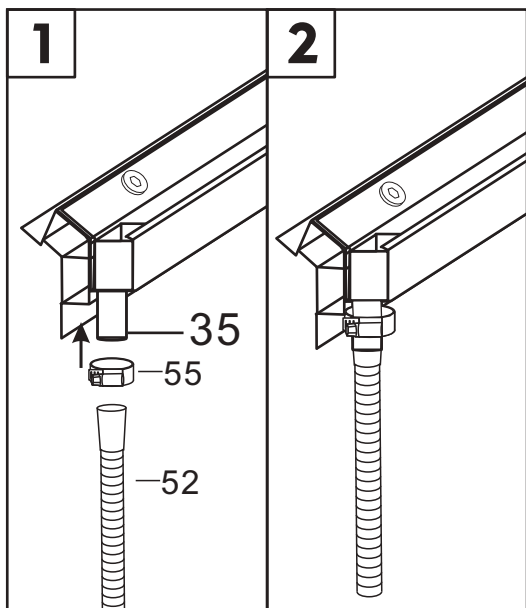




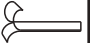

During the installation process, you need to use silicone to achieve better waterproof effect in the gap in the aluminum alloy sink.



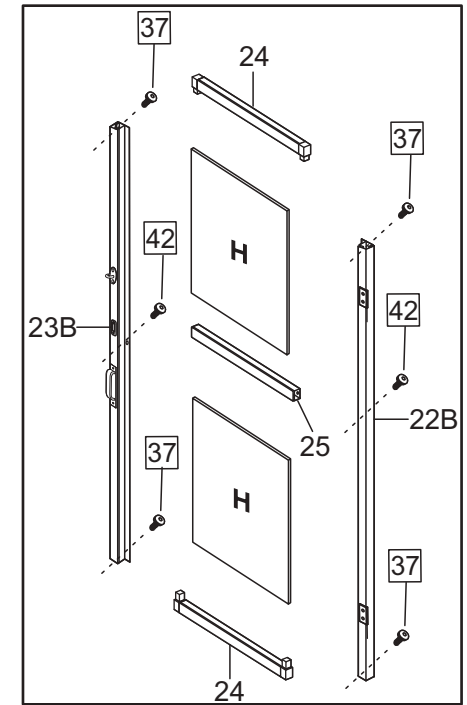
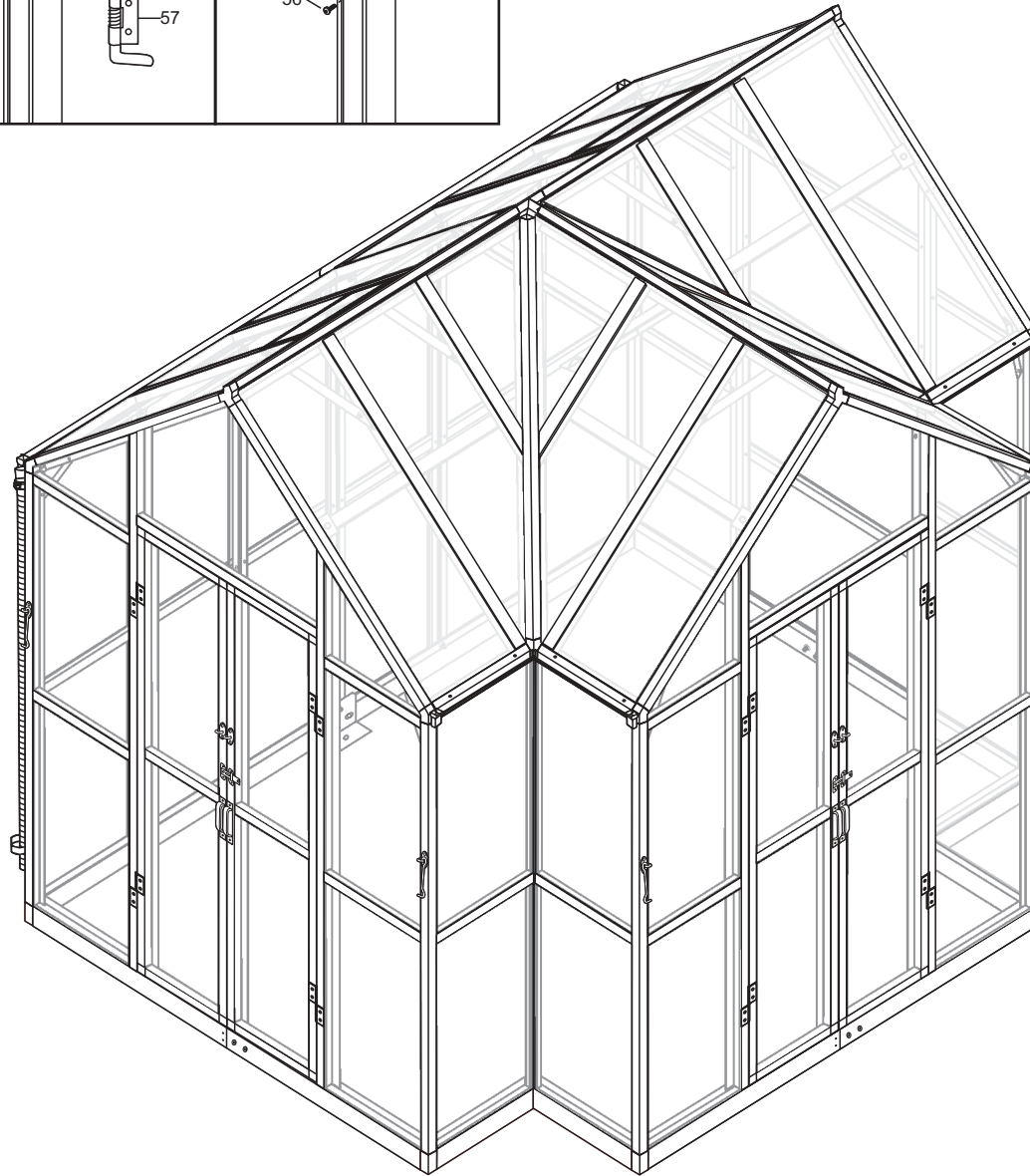
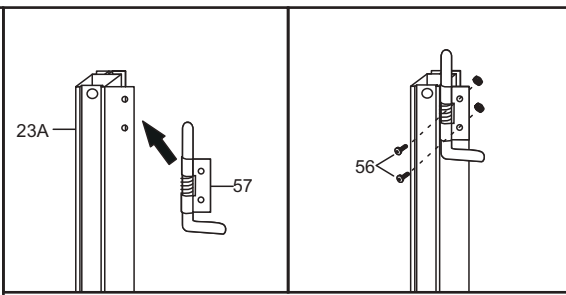
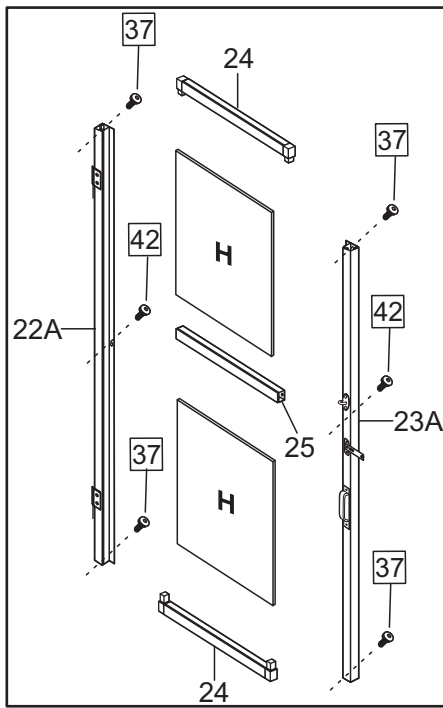
Picture	NO.	Qty.
	27C	1
	27D	1
	35	2
	35A	1
	42	6
	B3	2
	G	2

# STEP 49

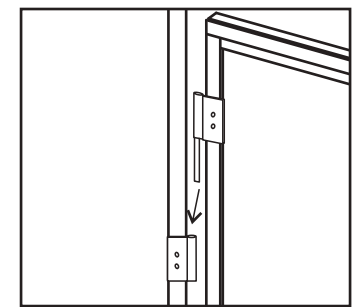


Picture	NO.	Qty.
	52	2
	53	2
	54	1
	55	2

# STEP 50



Picture	NO.	Qty.
	22A	2
	22B	2
	23A	2
	23B	2
	24	8
	25	4
	H	8
	37	16
	42	8
	56	4
	57	2



# DANCOVER<sup>®</sup>

.com

## Contact information

Austria



Belgium



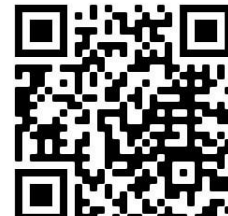
Croatia



Denmark



Estonia



Finland



France



Germany



Ireland



Italy



Latvia



Lithuania



Nederland



Norway



Poland



Portugal



Spain



Sweden



Switzerland



UK



For more information please visit: [www.dancovershop.com](http://www.dancovershop.com)