

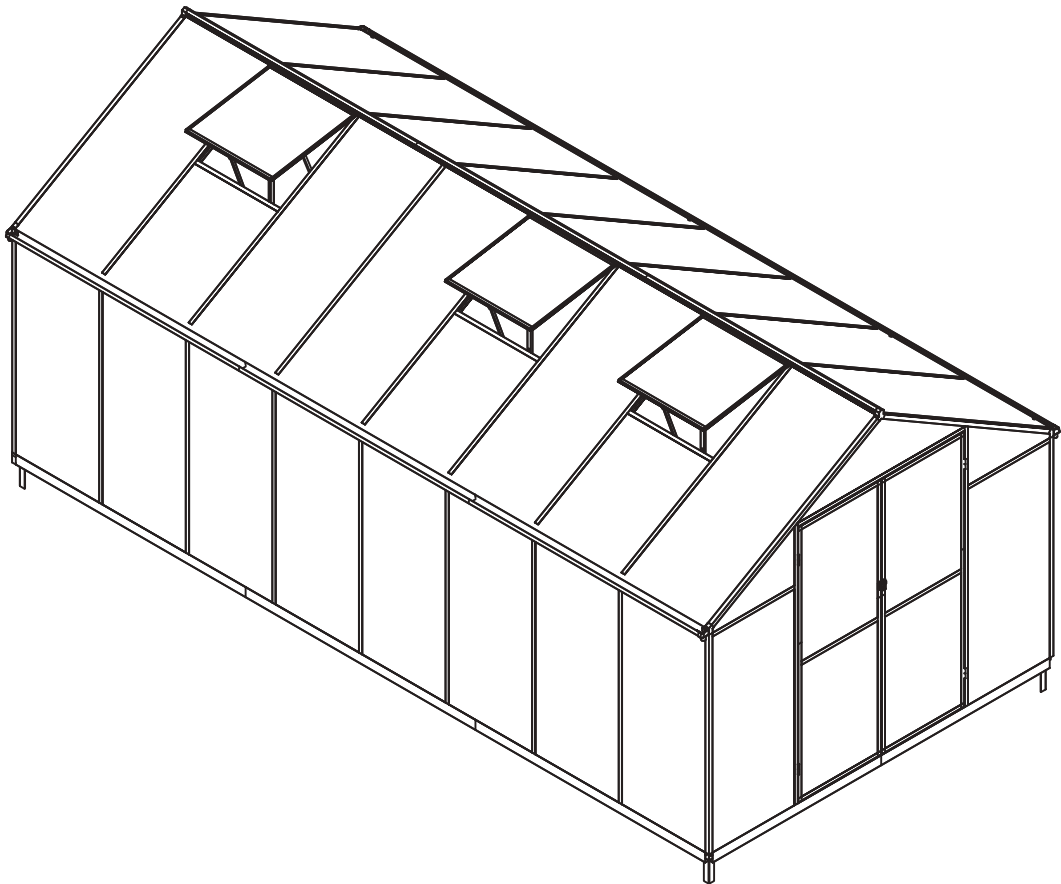
DANCOVER[®]

.com

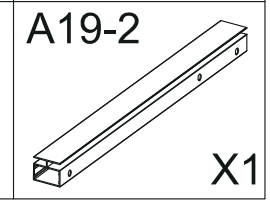
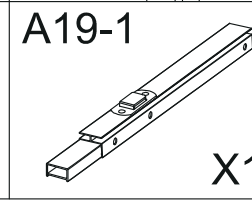
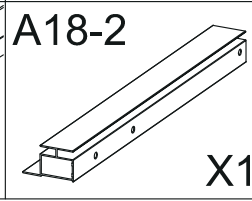
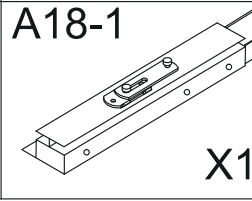
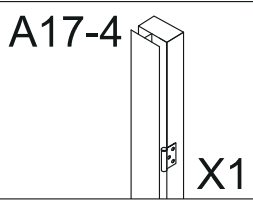
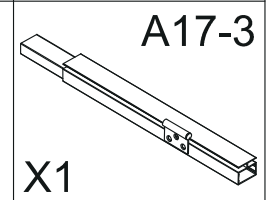
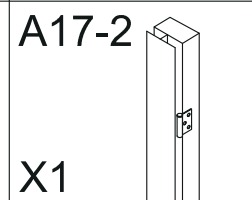
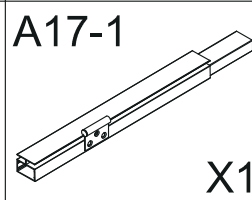
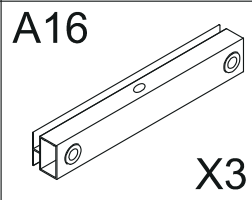
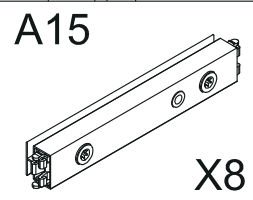
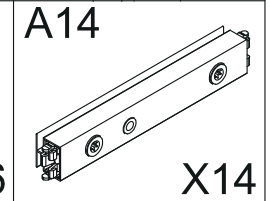
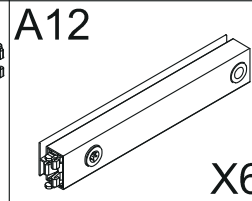
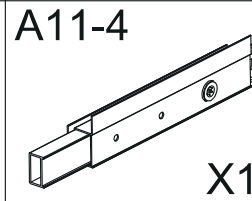
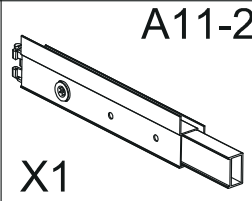
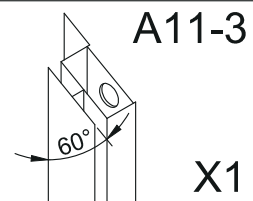
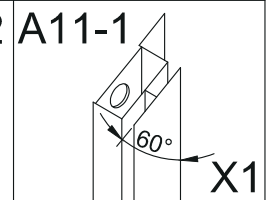
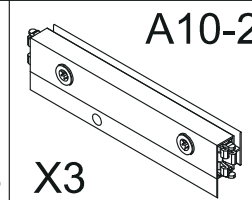
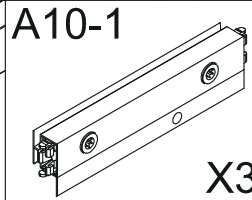
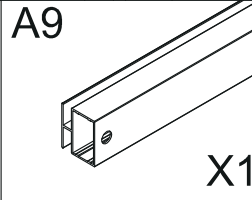
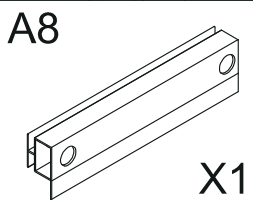
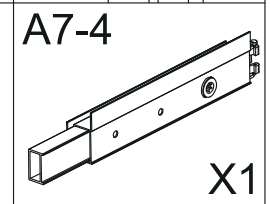
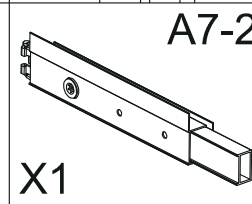
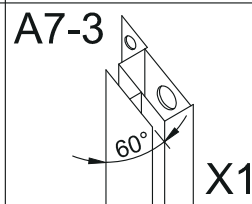
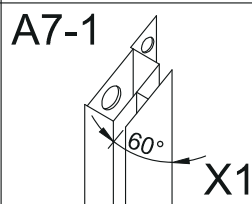
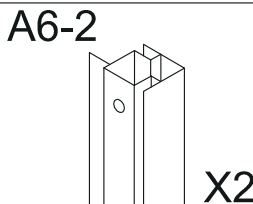
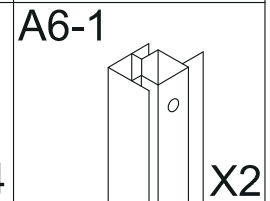
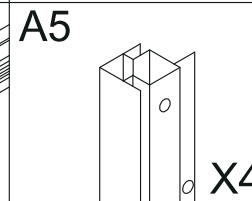
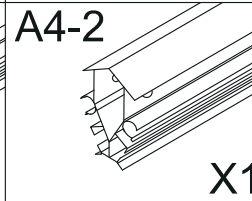
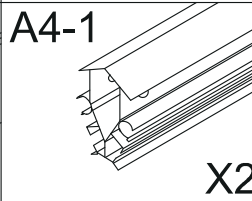
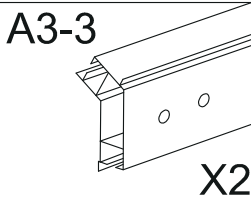
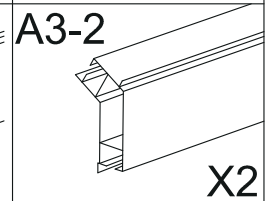
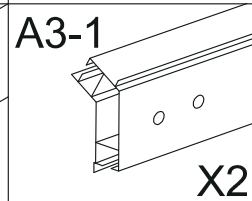
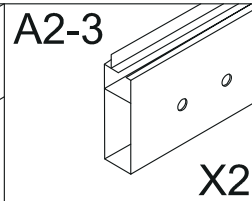
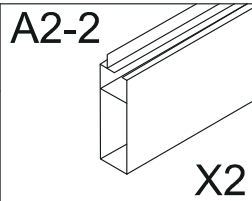
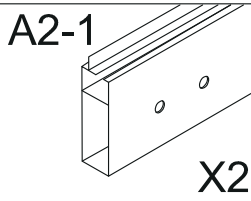
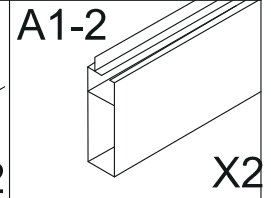
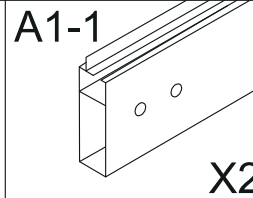
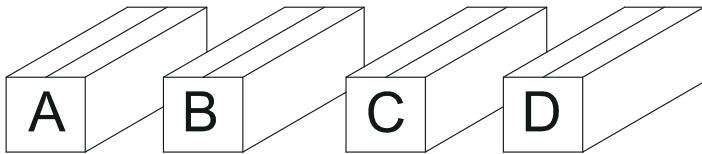
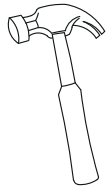
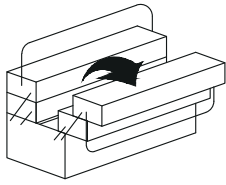
Manual
for
Greenhouse
2,47x4,81x2,13m

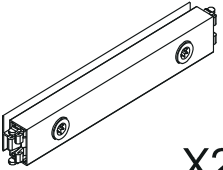
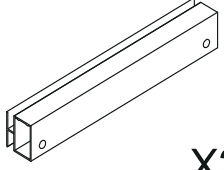
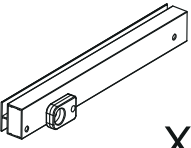
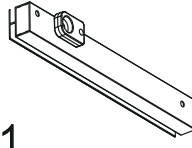
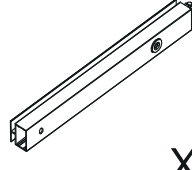
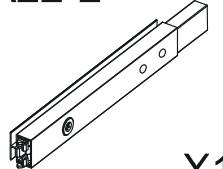
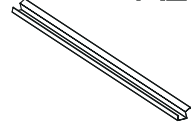

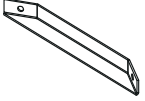

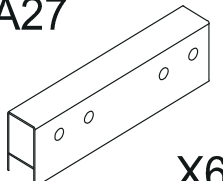
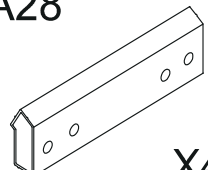
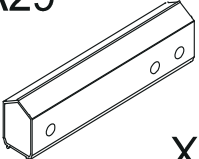
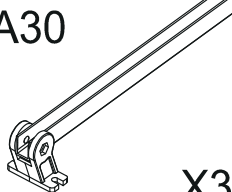
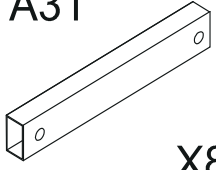
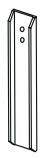
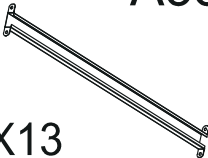

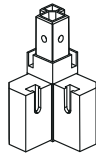
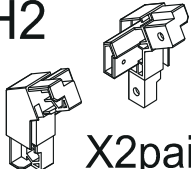
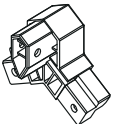
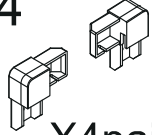

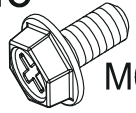

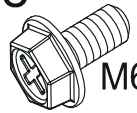

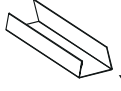

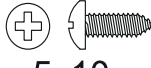
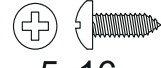
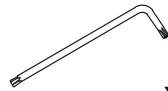


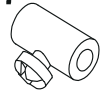
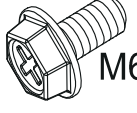
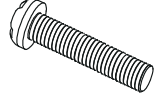
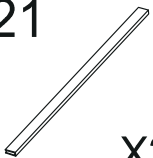
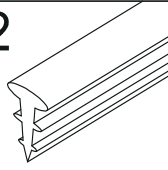
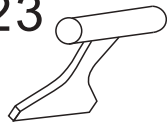
ASSEMBLY INSTRUCTIONS

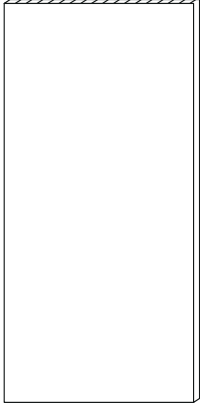
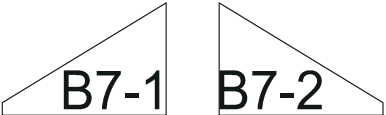
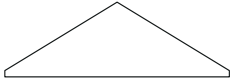

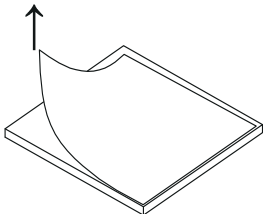
Greenhouse

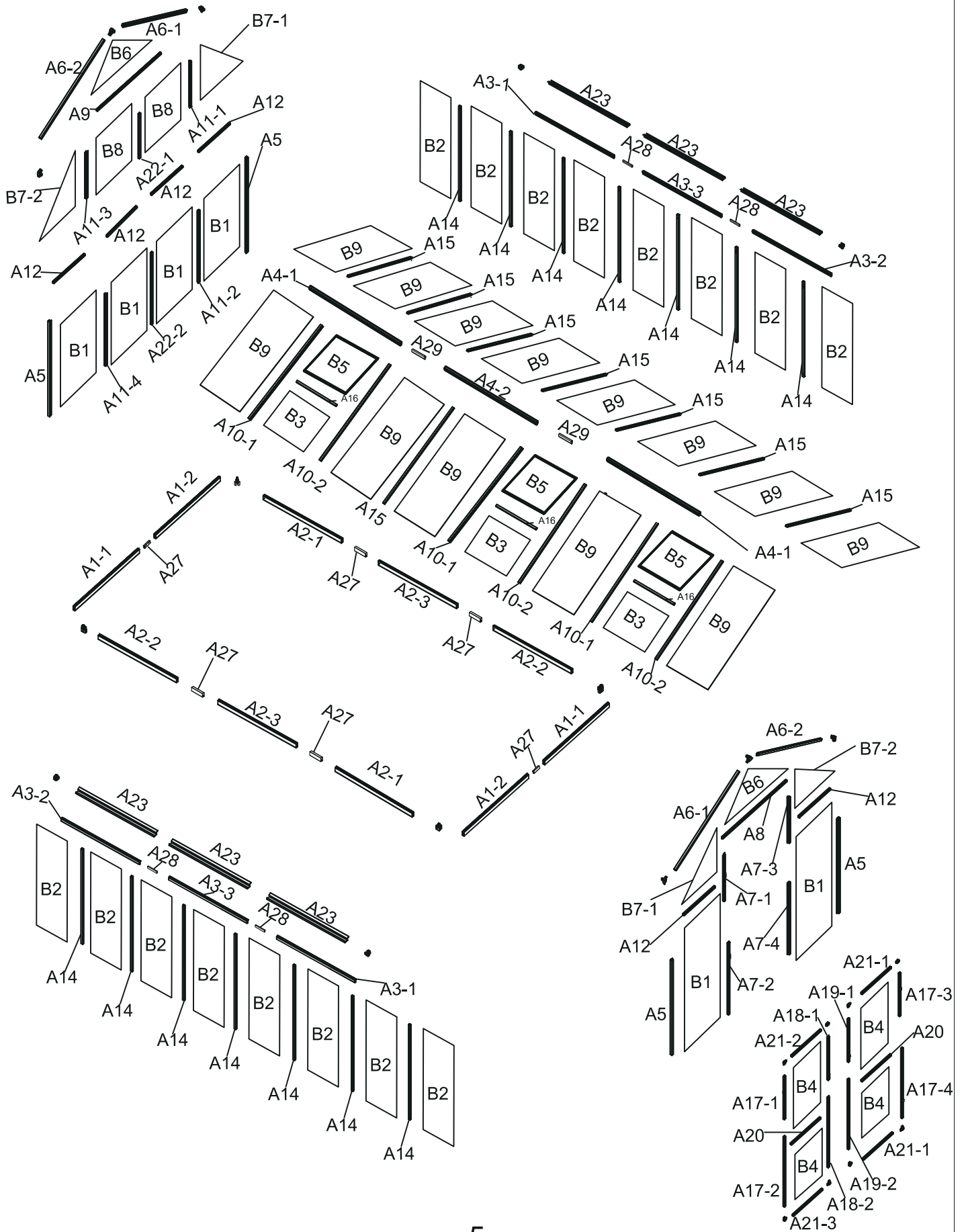


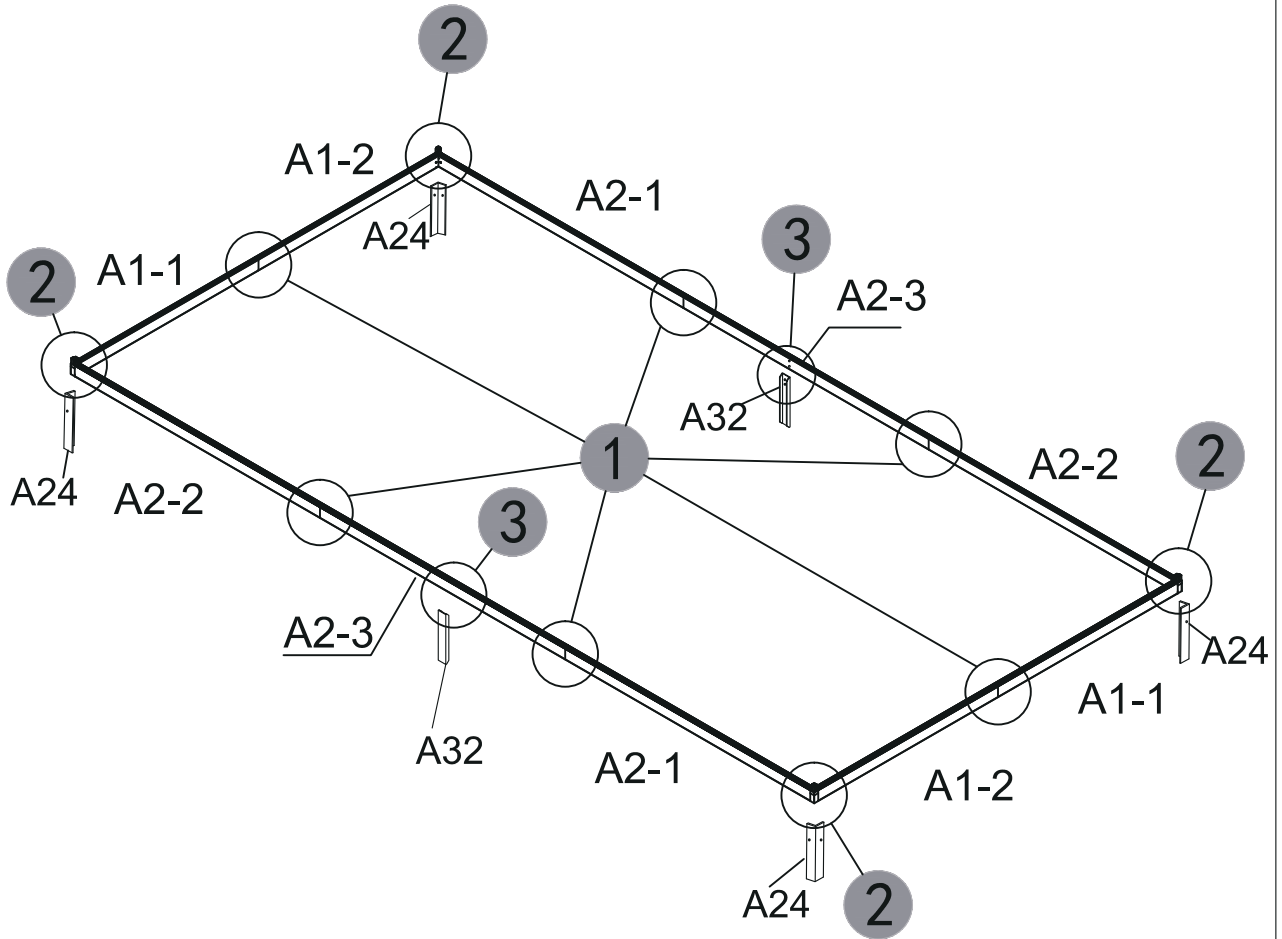
4810x2470x2130mm





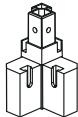
A20  X2	A21-1  X2	A21-2  X1	A21-3  X1	A22-1  X1
A22-2  X1	A23  X6	A24  X4	A25  X7	A26  X14
A27  X6	A28  X4	A29  X2	A30  X3	A31  X8
A32  X2	A33  X13			
	H1  X4	H2  X2pairs	H3  X2	H4  X4pairs
H5  X2pairs	H6  M6x30 X34	H7  X1	H8  M6x12 X95	H9  M6 X50
H10  X4	H11  4x8 X74	H12  5x10 X16	H13  5x16 X24	H14  X1
H15  X1	H16  X3	H17  X6	H18  M6x20 X32	H20  M4X40 X3
H21  X21	H22 	H23 		


	B1	6PCS
	B2	16PCS
	B3	3PCS
	B4	4PCS
	B8	2PCS
	B9	13PCS
	B7-1	2PCS
	B7-2	2PCS
	B6	2PCS
	B5	3PCS
<p>The white film is inside</p> 		






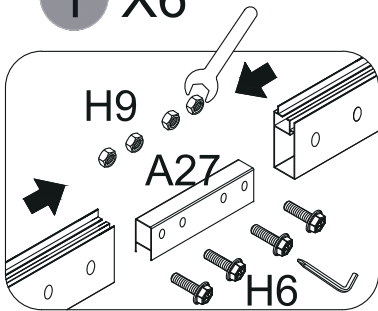
H6  M6x30 X24	H9  M6 X24
--	---

H1  X4
--

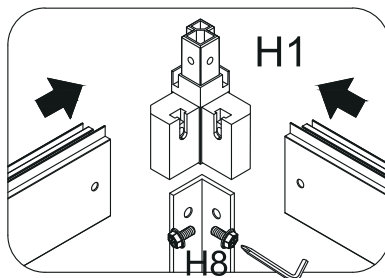
H8  M6x12 X8

H8  M6x12 X4

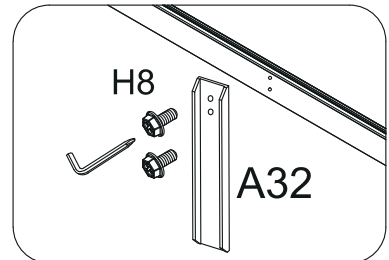
1 X6



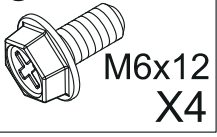
2 X4



3 X2



H8



A7-3
(A11-3)



4

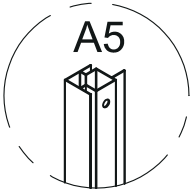
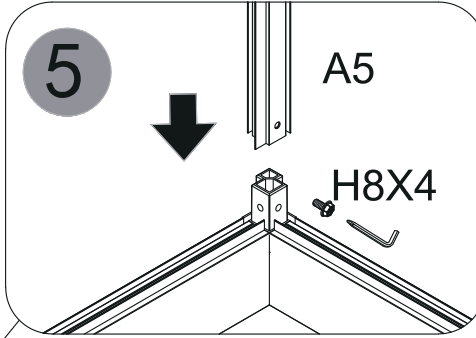
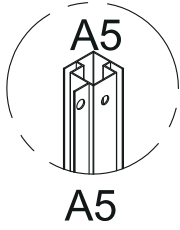
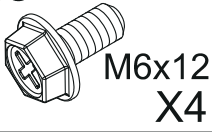
A7-1
(A11-1)



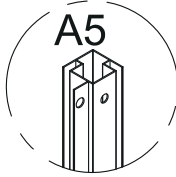
A7-4
(A11-4)

A7-2
(A11-2)

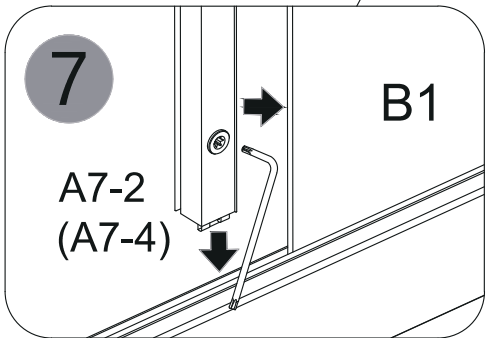
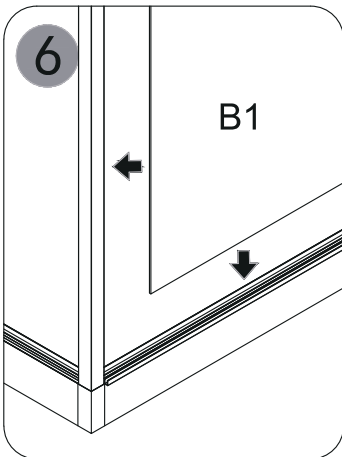
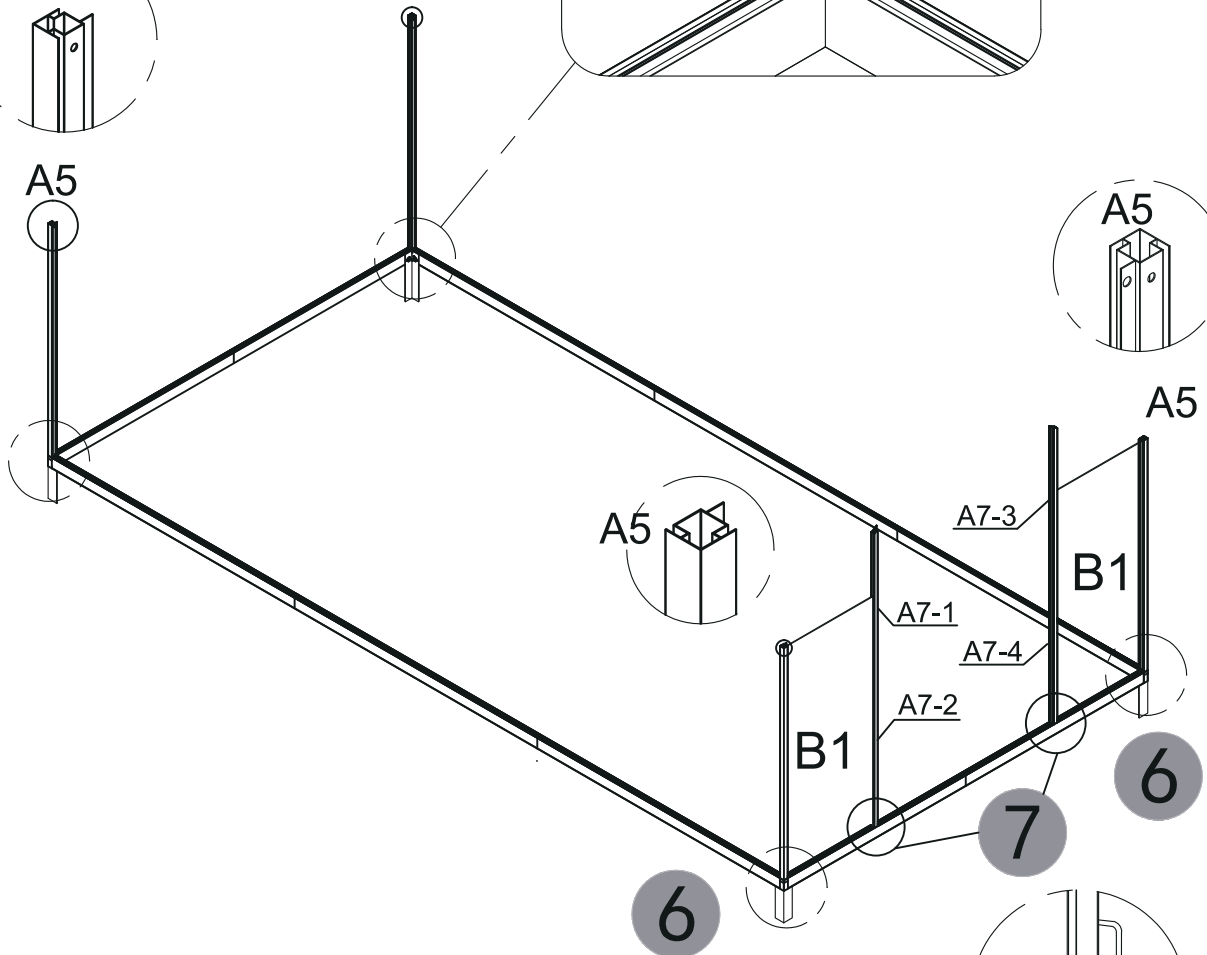
H8



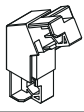
A5



A5

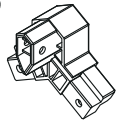


H2



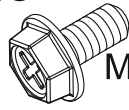
X1pair

H3

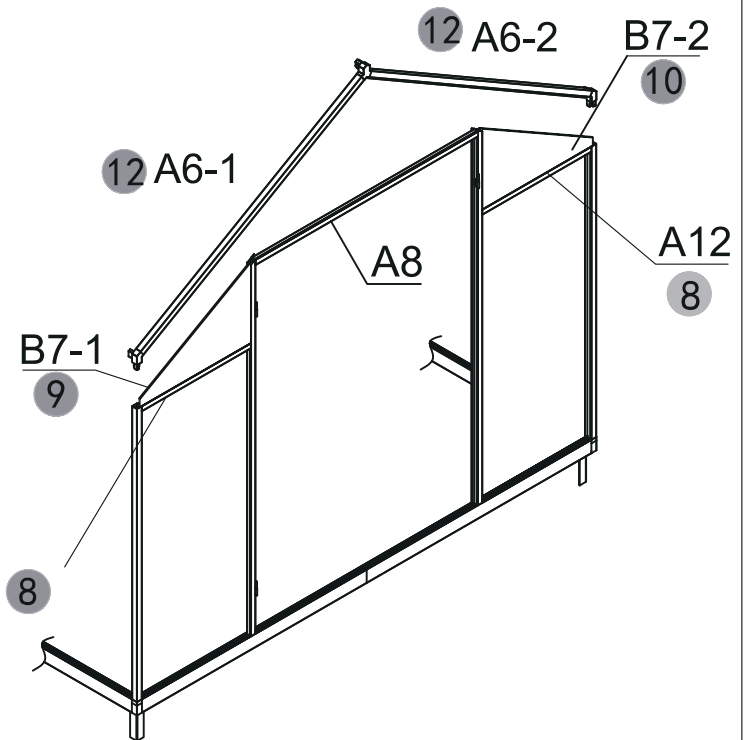
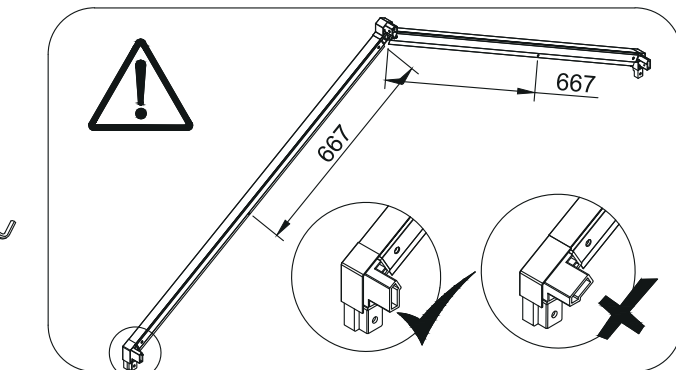
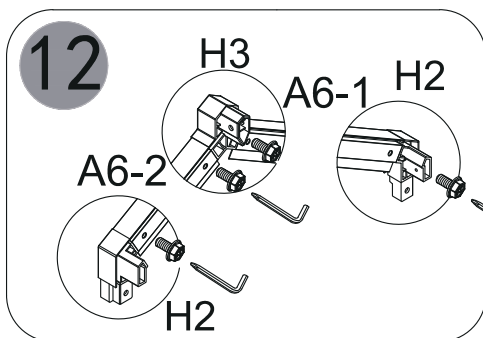
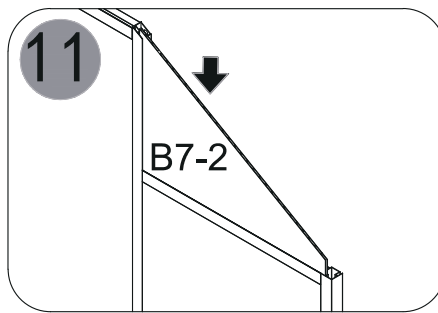
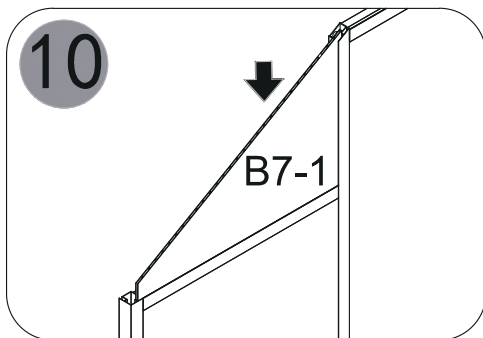
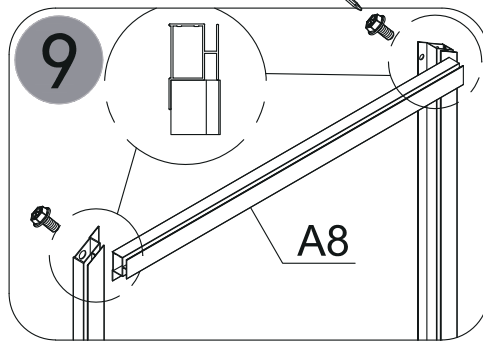
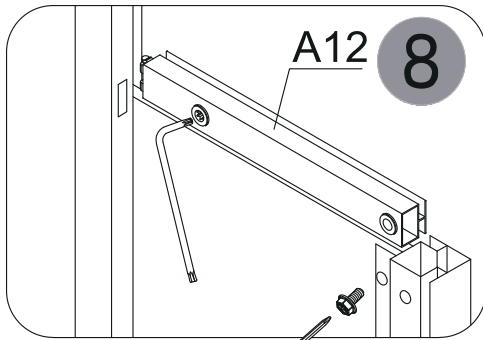


X1

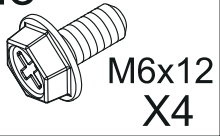
H8



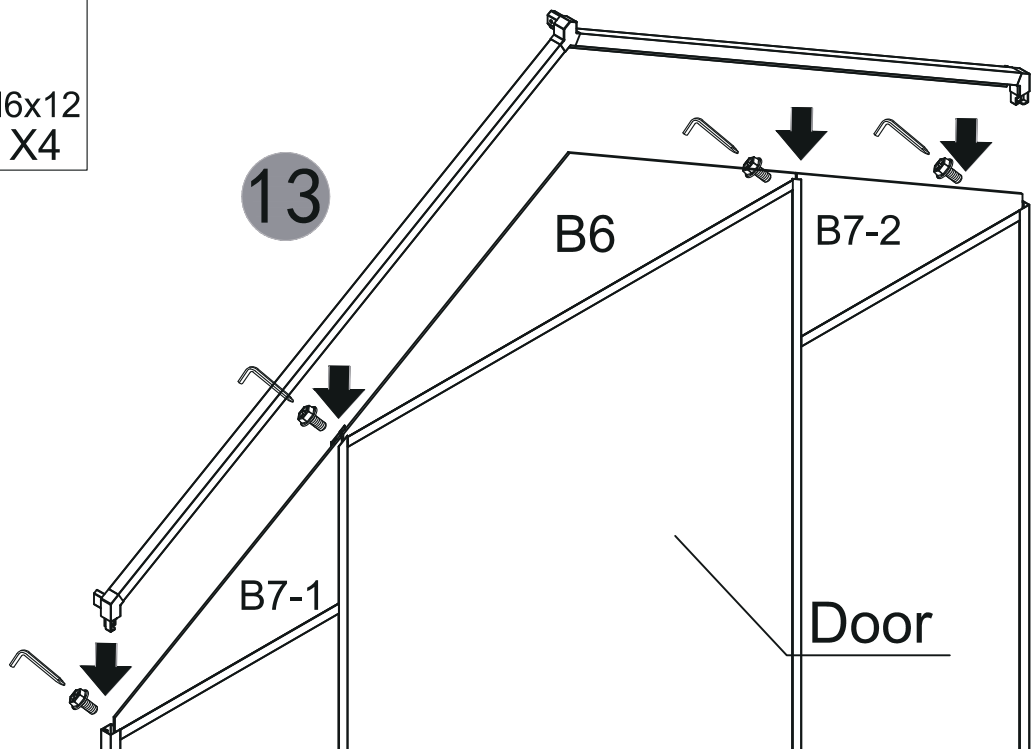
M6x12
X8



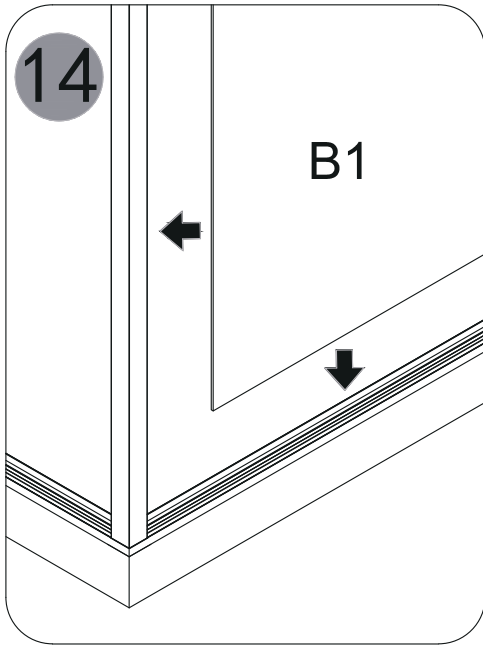
H8



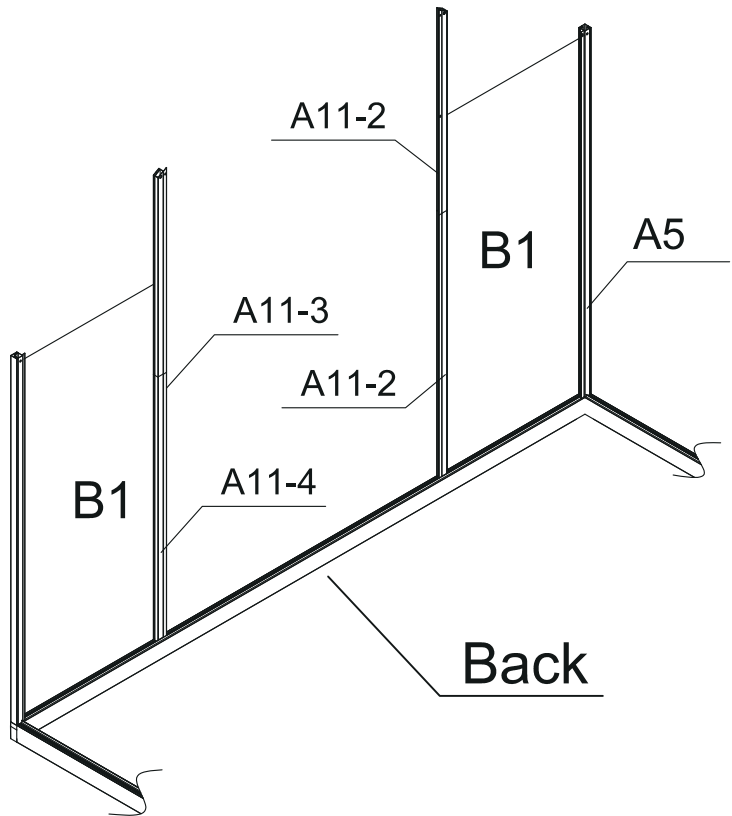
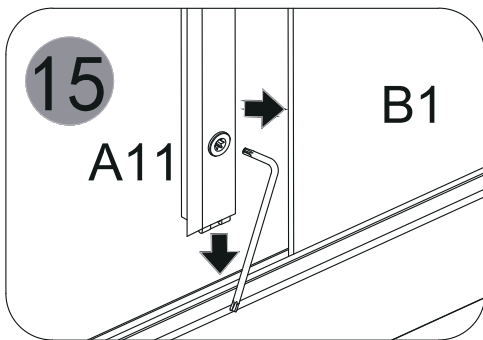
13



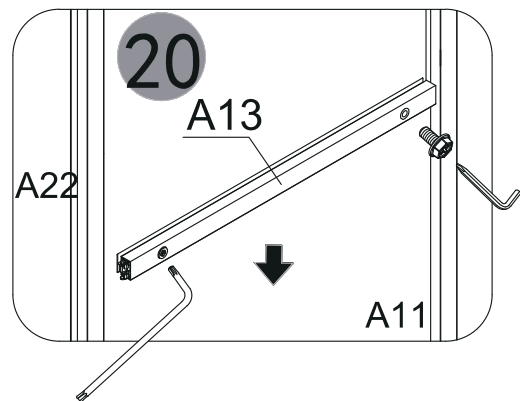
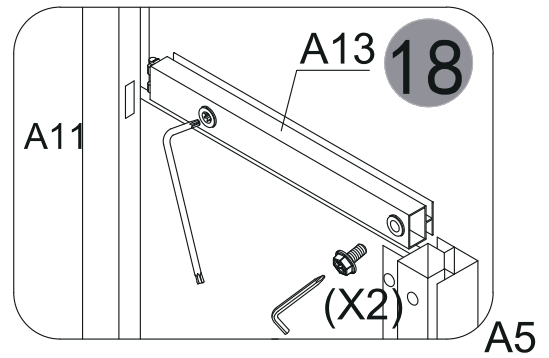
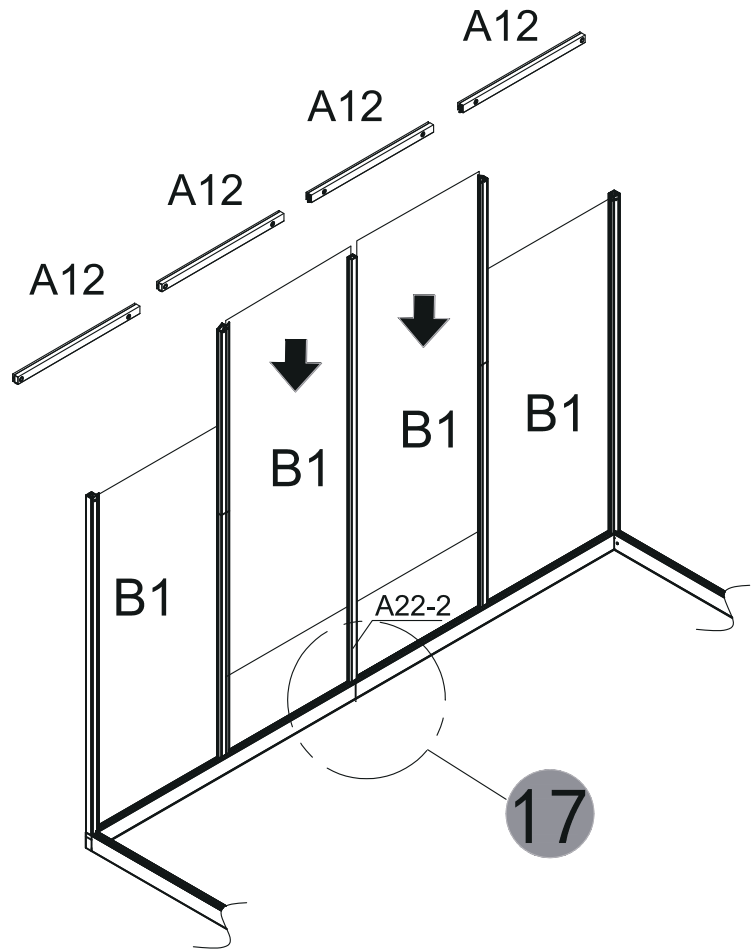
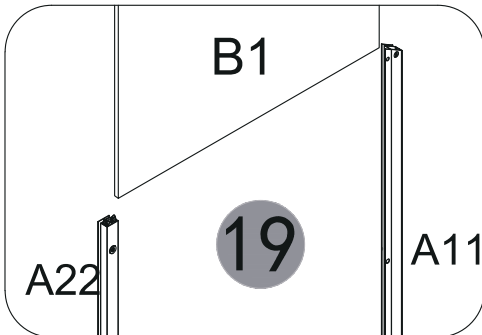
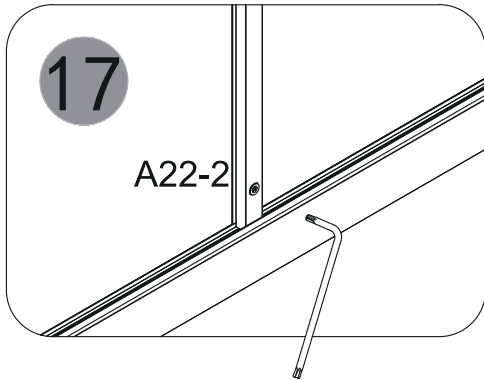
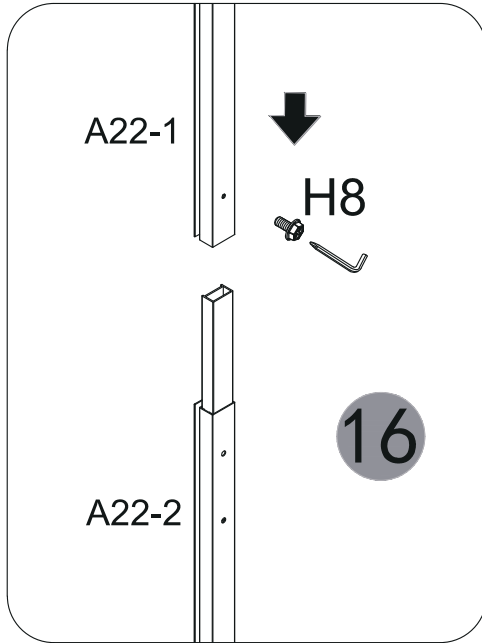
14

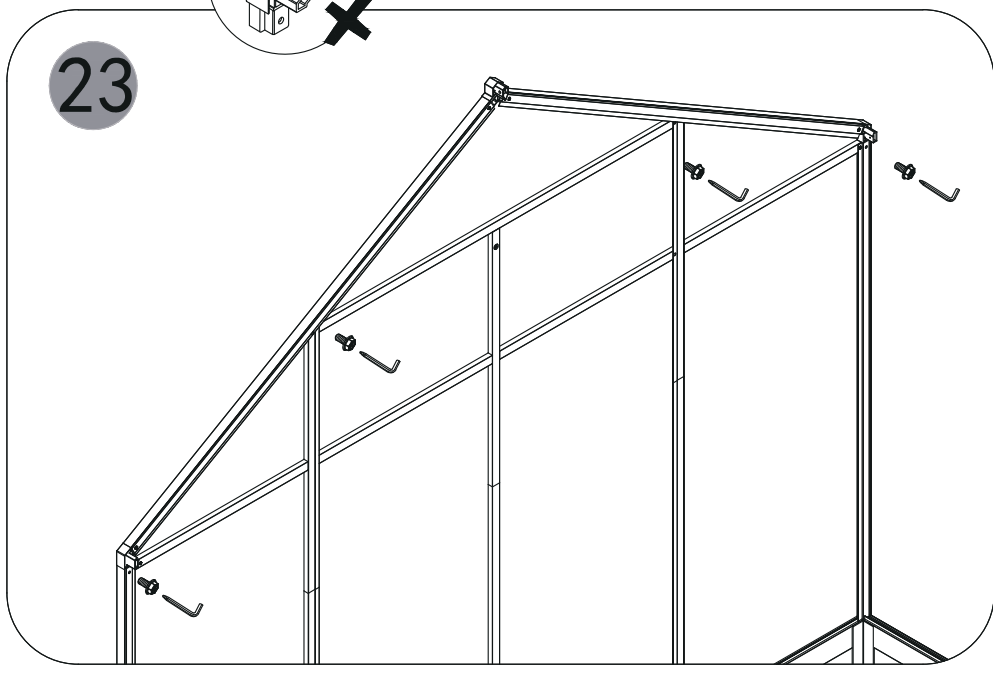
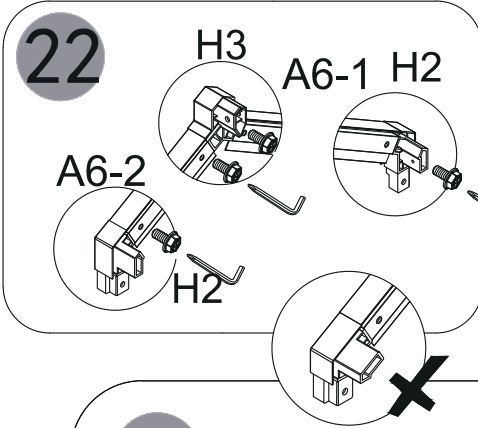
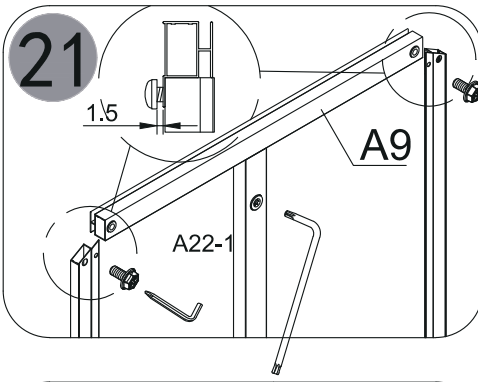
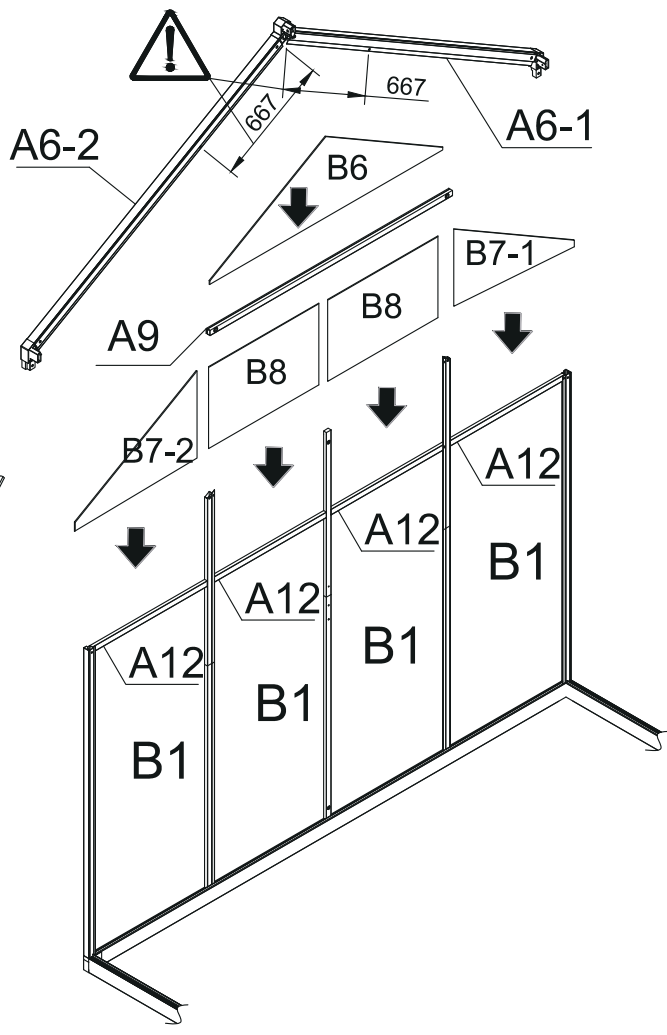
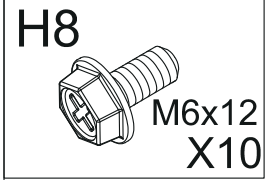
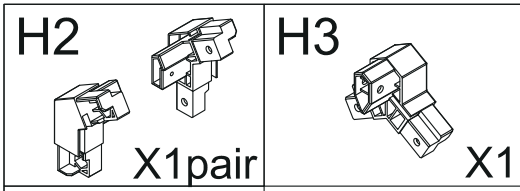


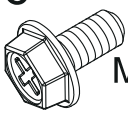
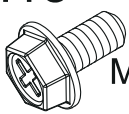
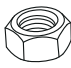
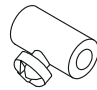
15

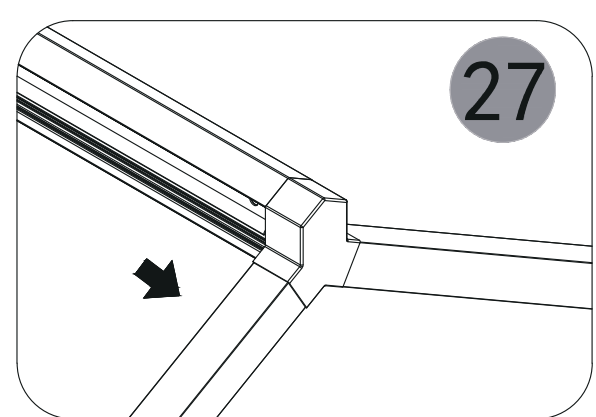
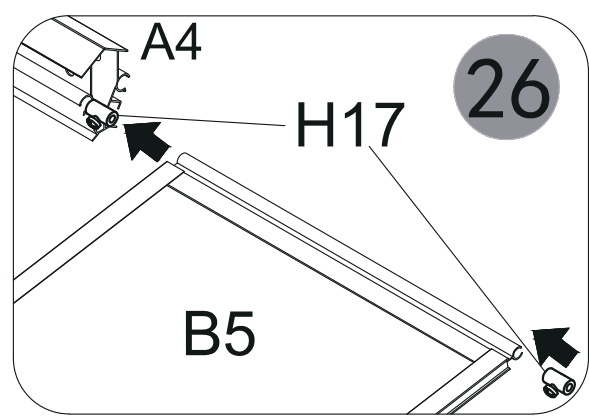
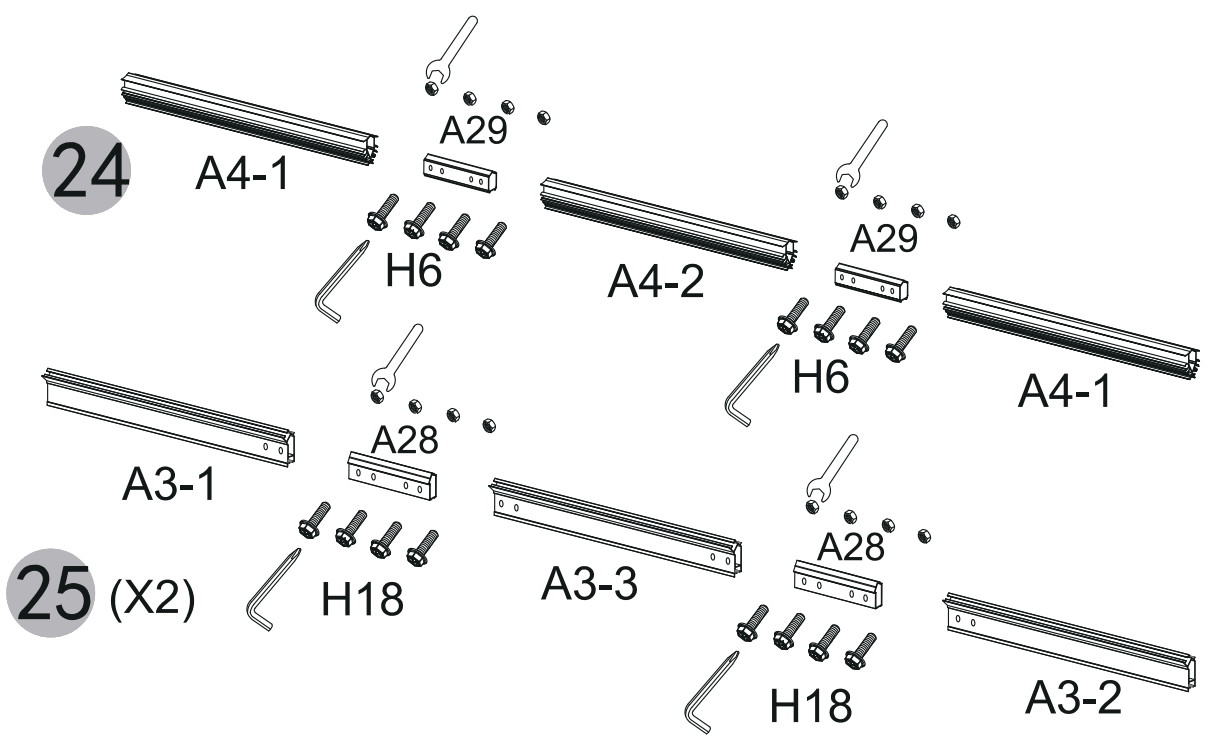


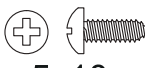
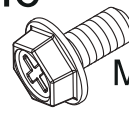
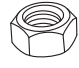
H8

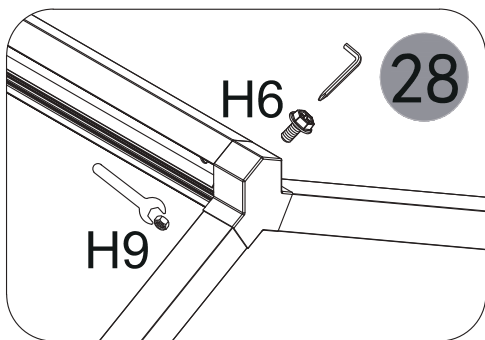
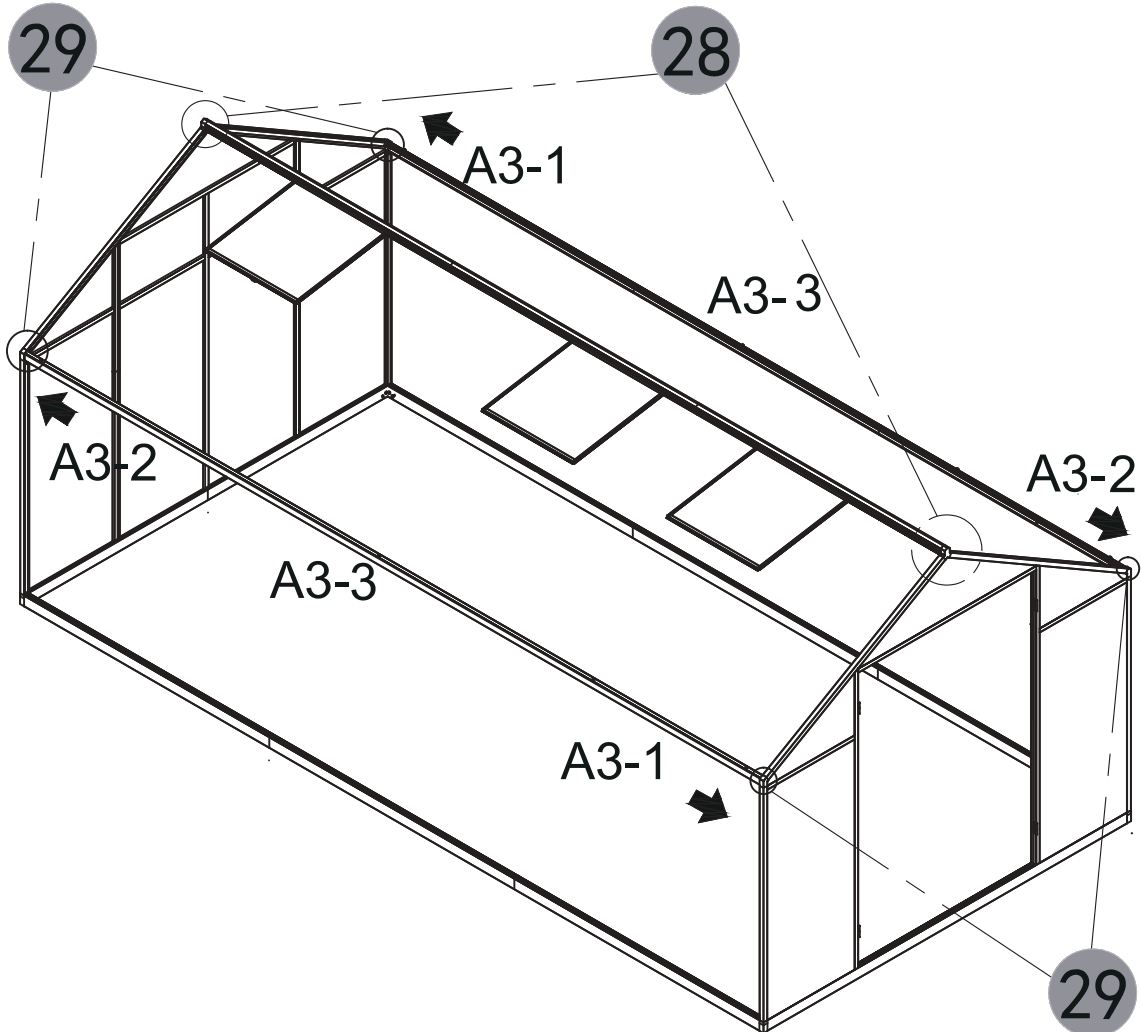




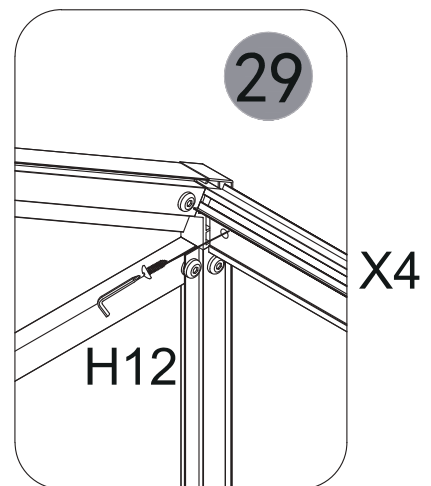
H6  M6x30 X8	H18  M6x20 X16	H9  M6 X24	H17  X6
---	---	---	---



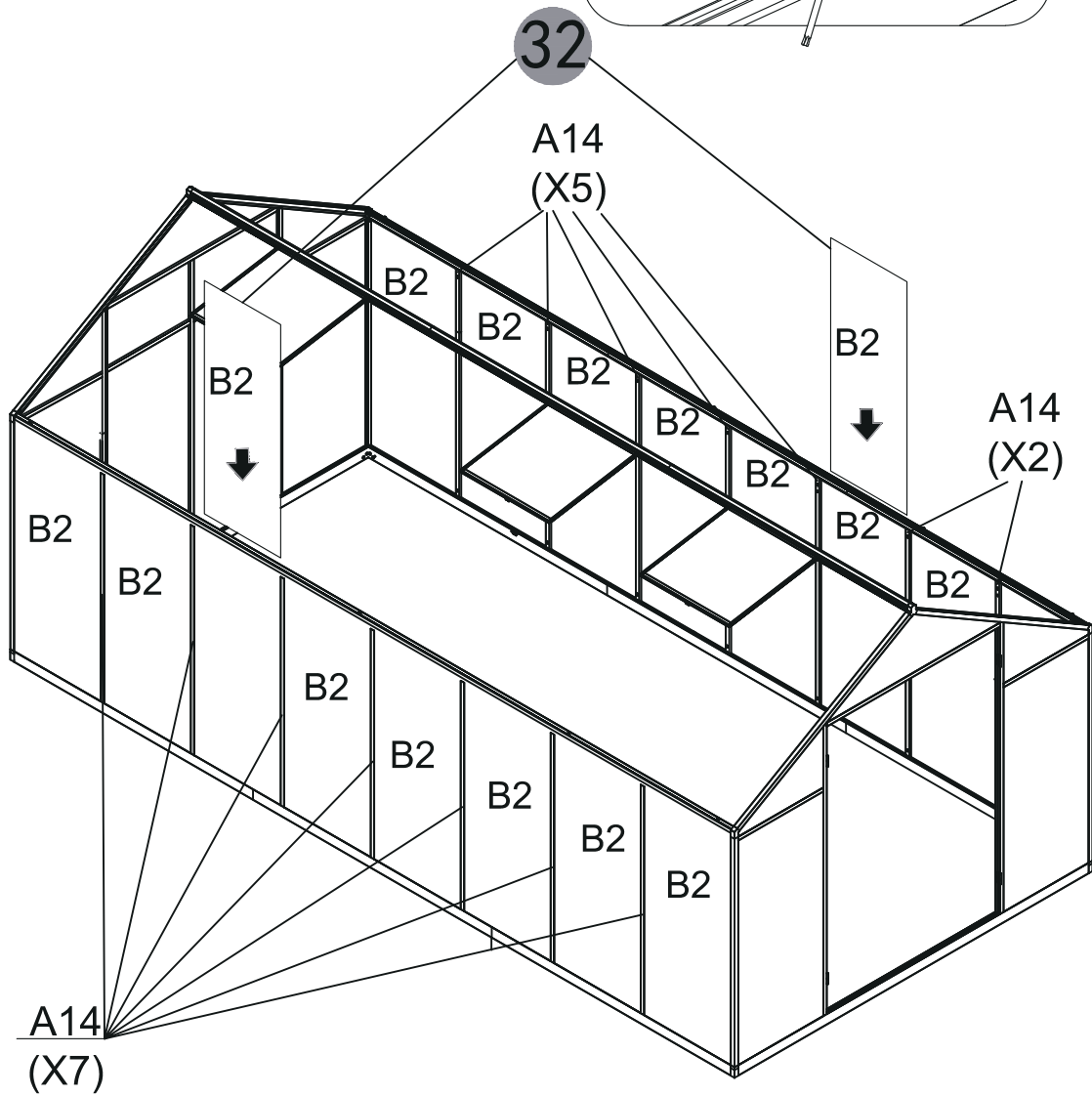
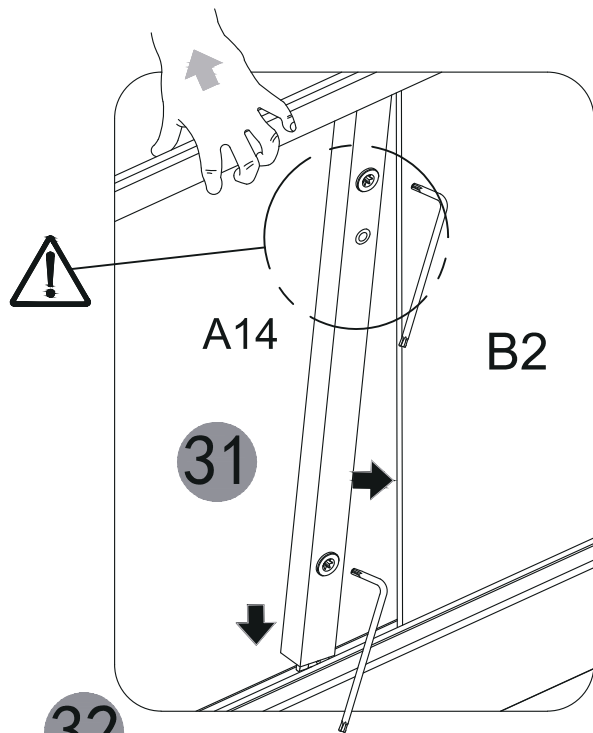
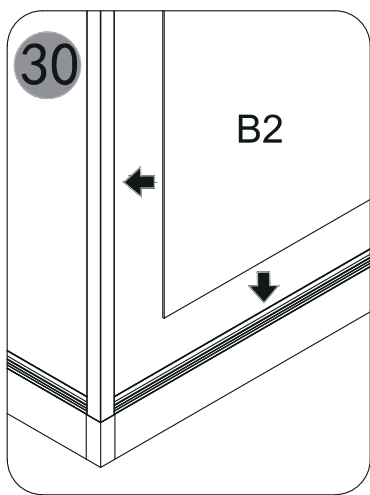
H12  5x10 X4	H6  M6x30 X2	H9  M6 X2
--	--	---

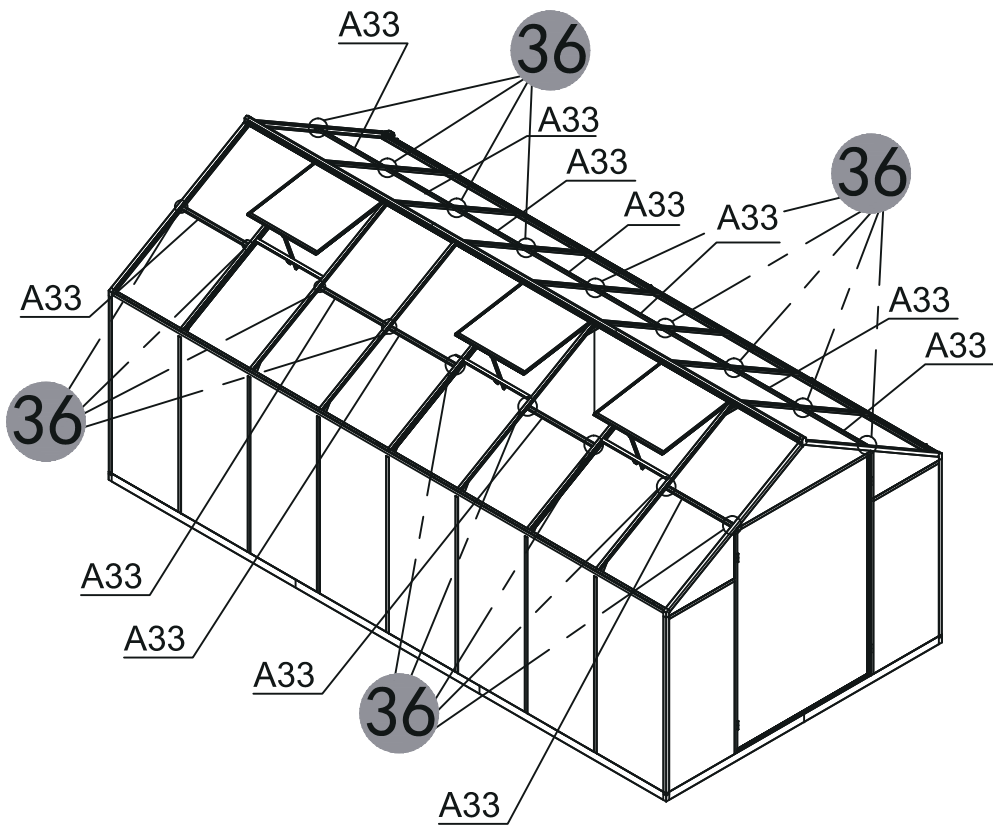


X2

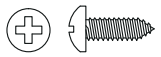


X4

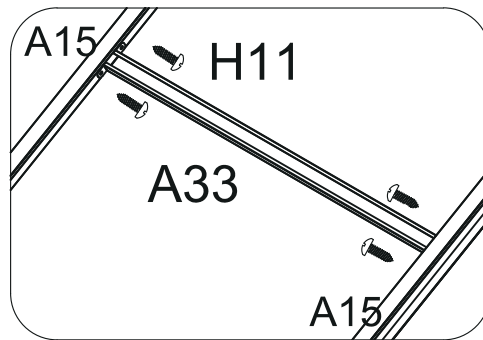


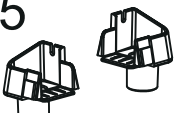
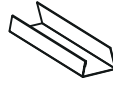




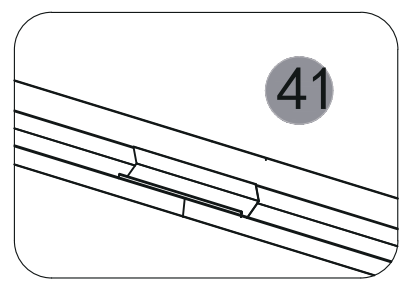
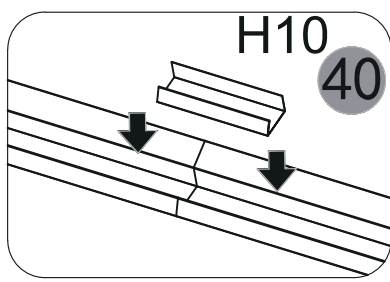
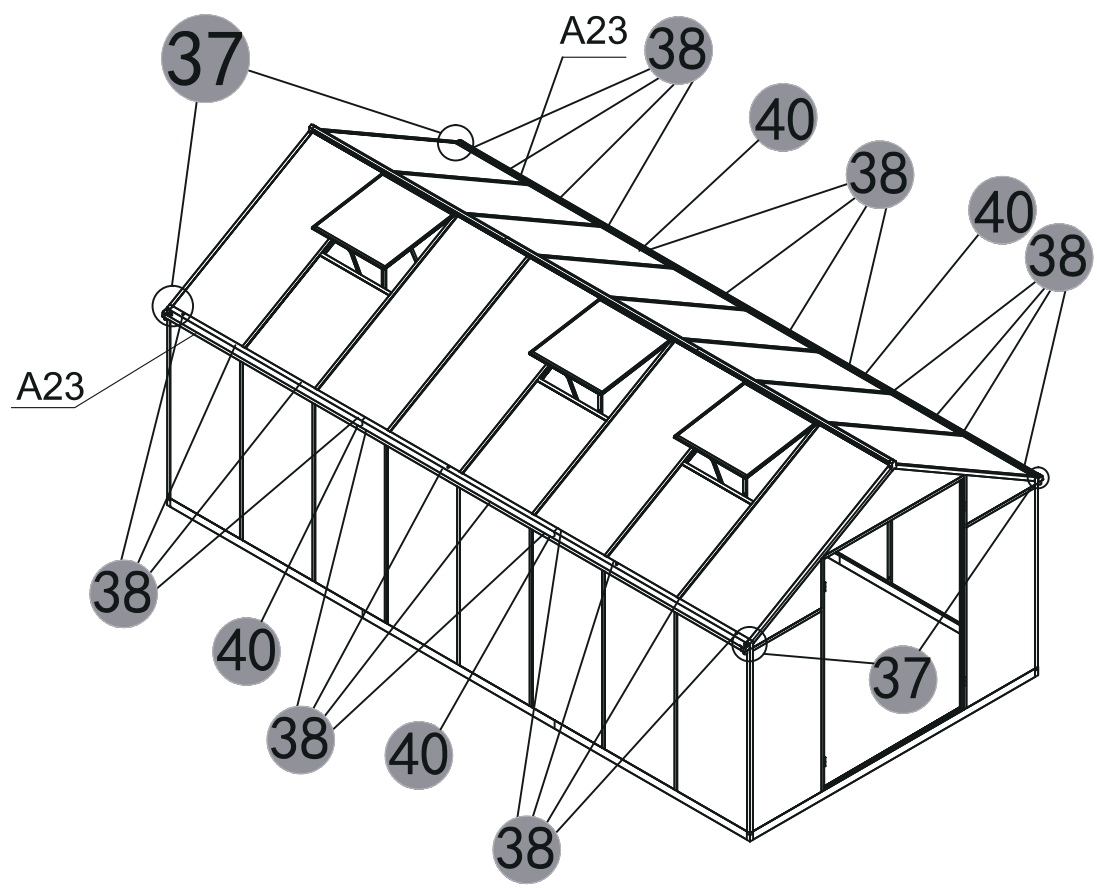
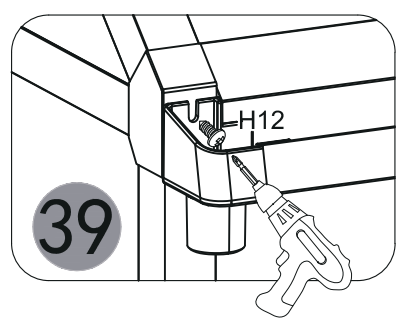
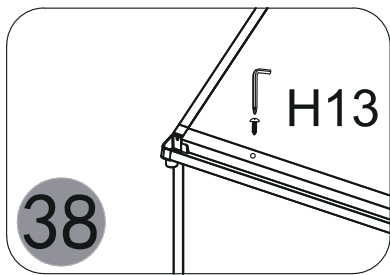
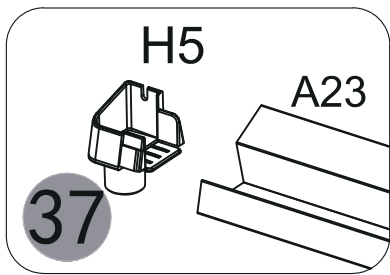
H11

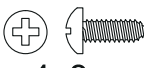
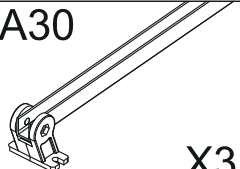

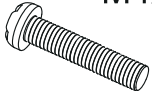


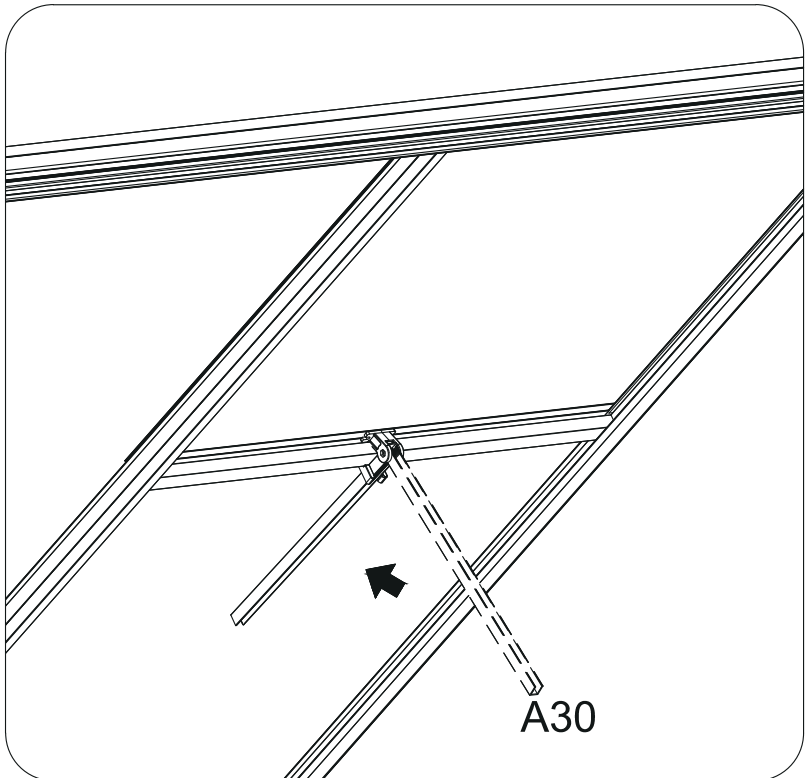
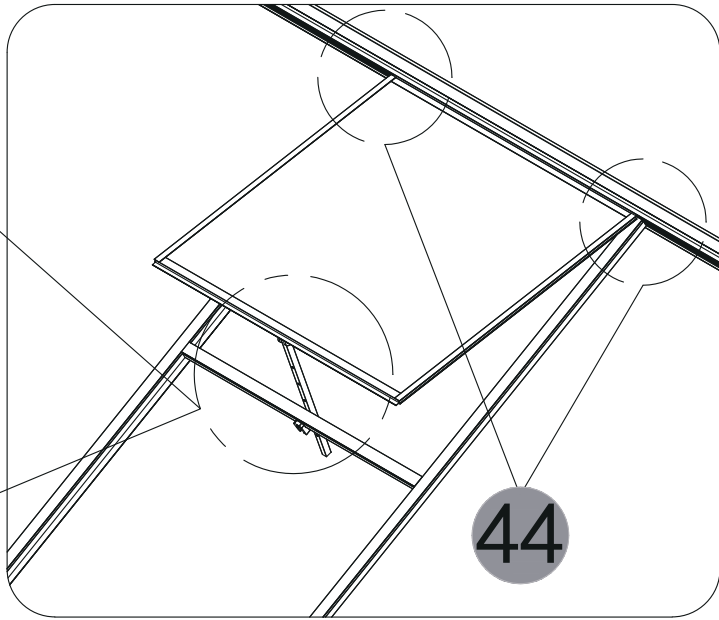
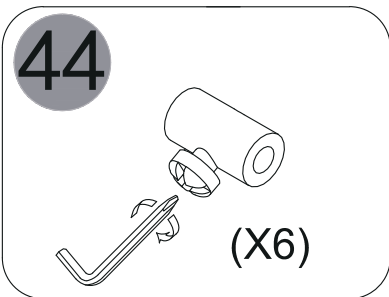
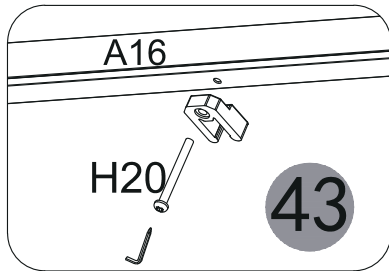
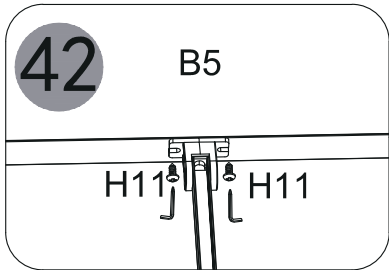
4x8 X52



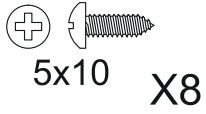
H5  X2pairs	H10  X4	H13  5x16 X24	H12  5x10 X4
---	---	---	---



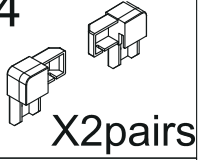
H11  4x8 X6	A30  X3	H16  X3	H20 M4X40  X3
---	---	---	---



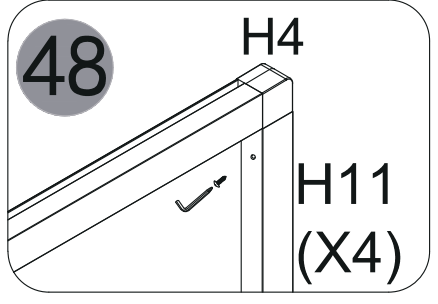
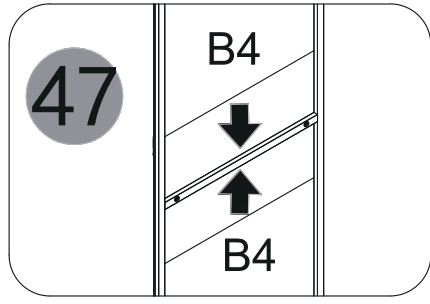
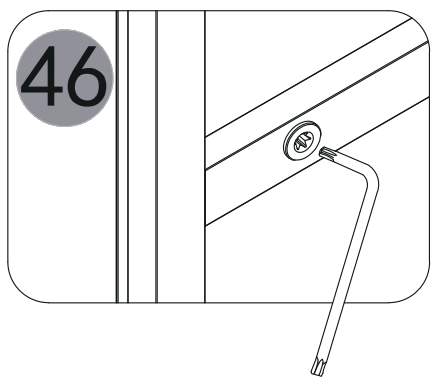
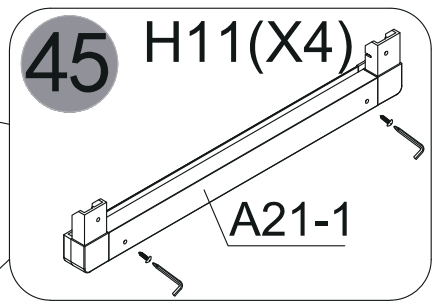
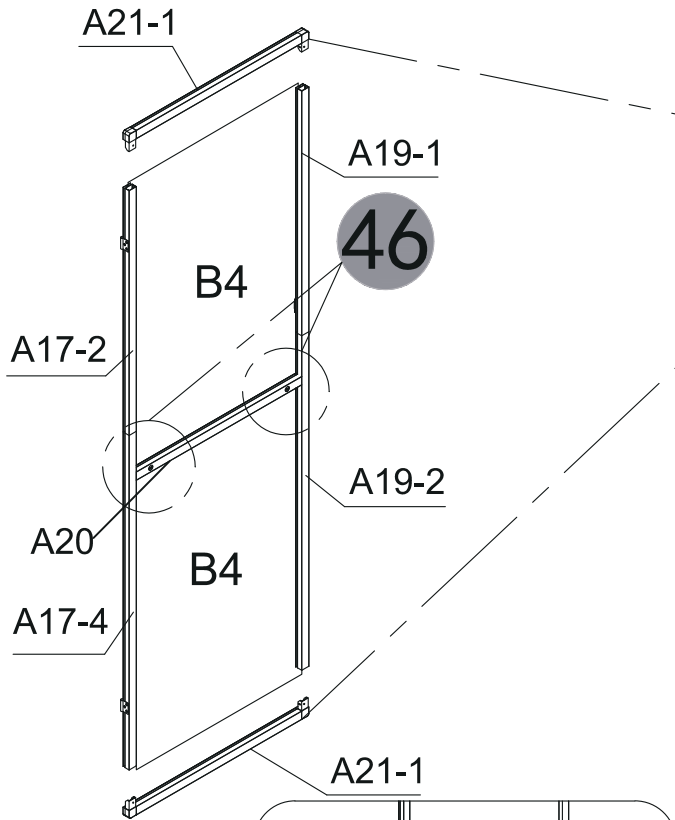
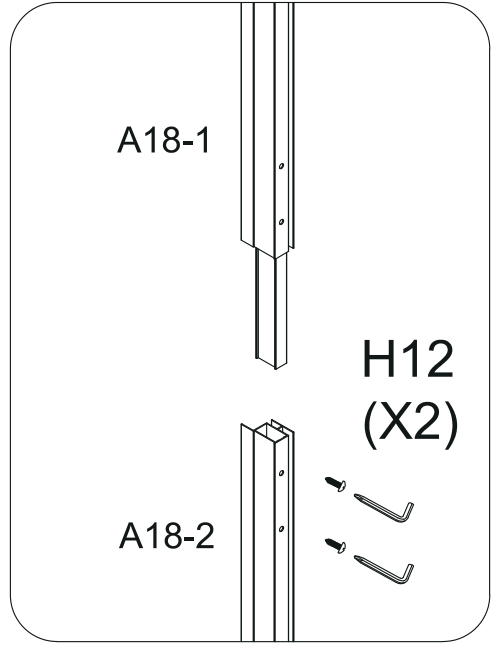
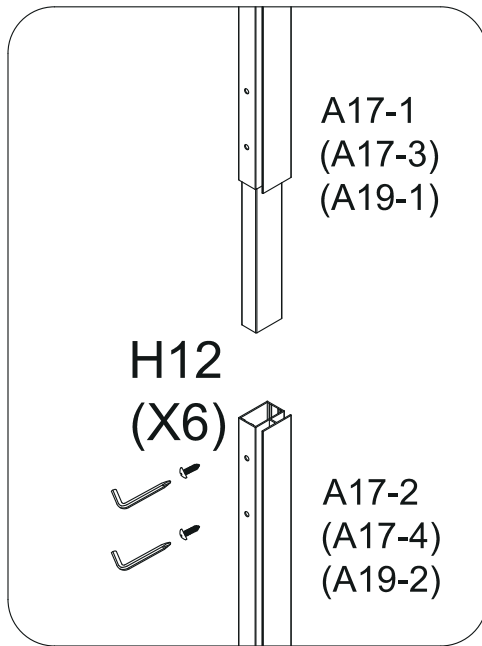
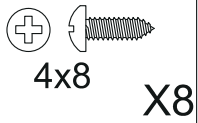
H12



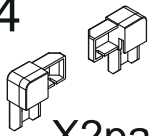
H4



H11

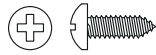


H4



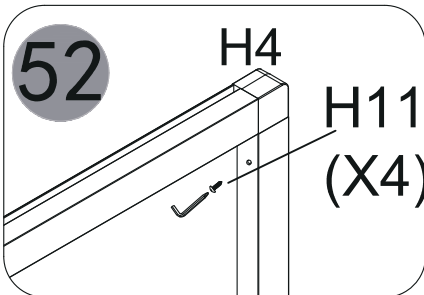
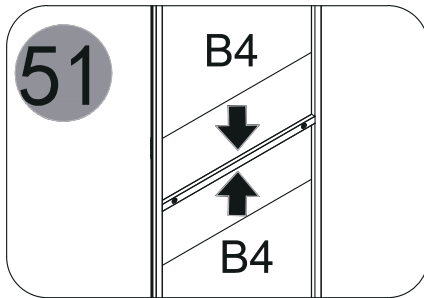
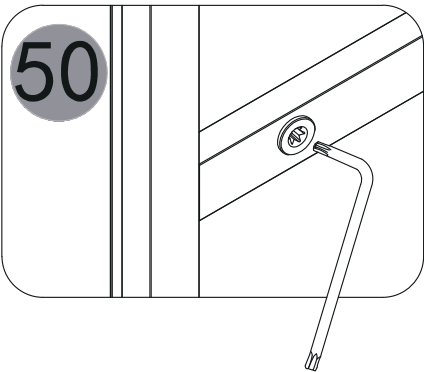
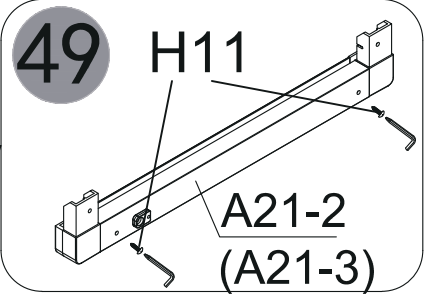
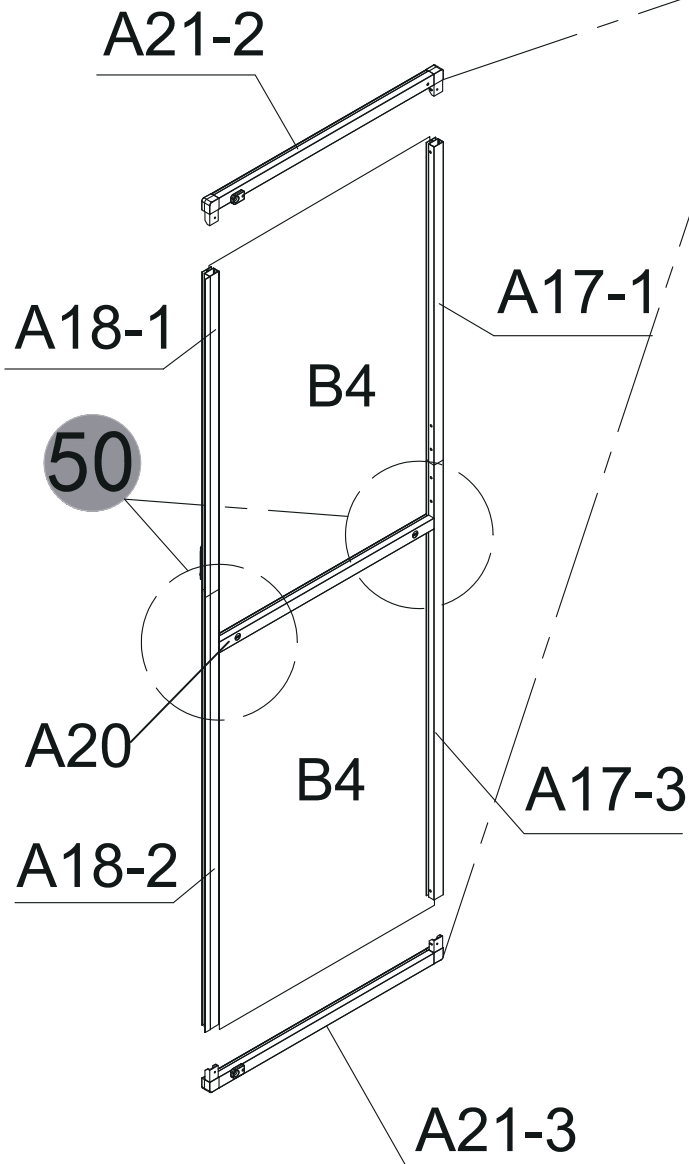
X2pairs

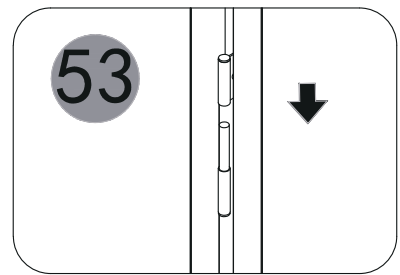
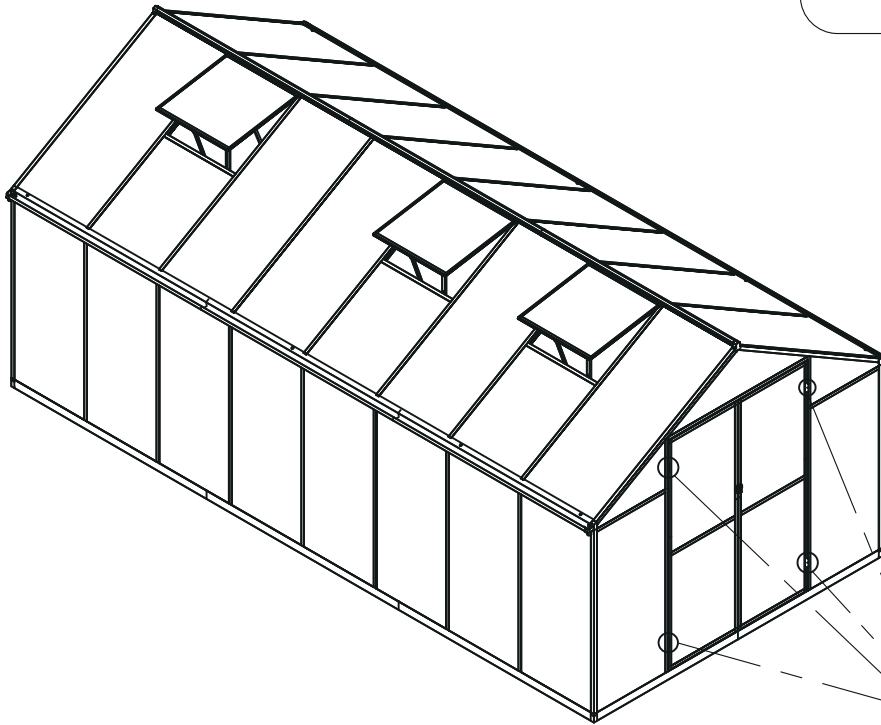
H11



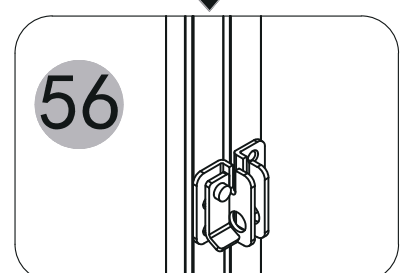
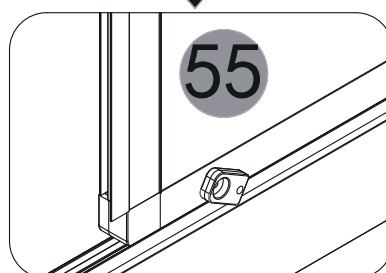
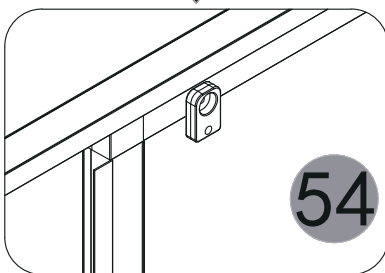
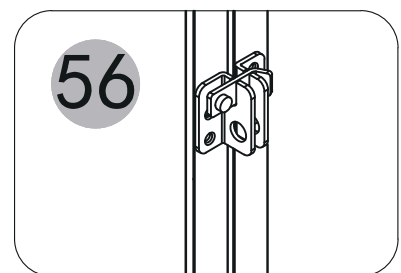
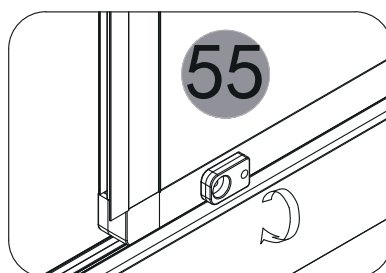
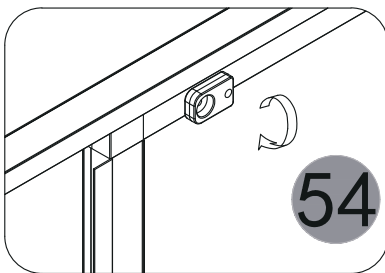
4x8

X8

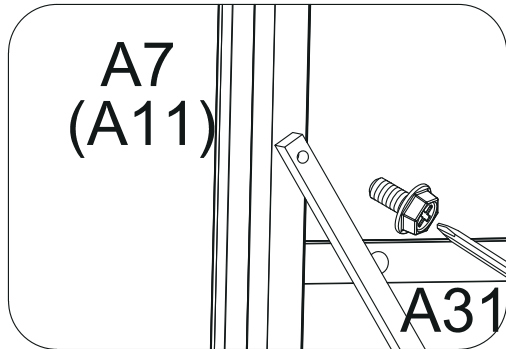
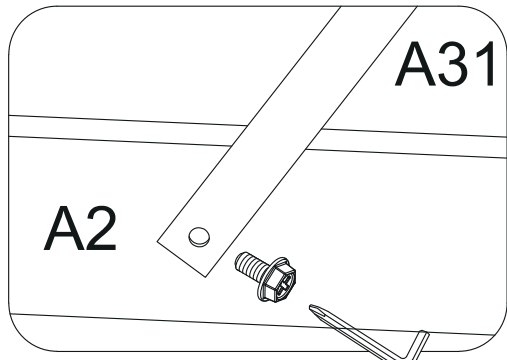
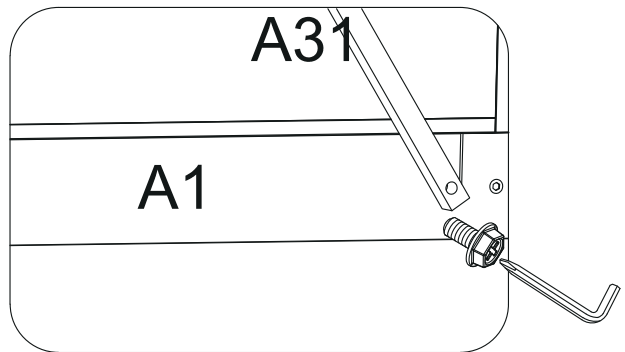
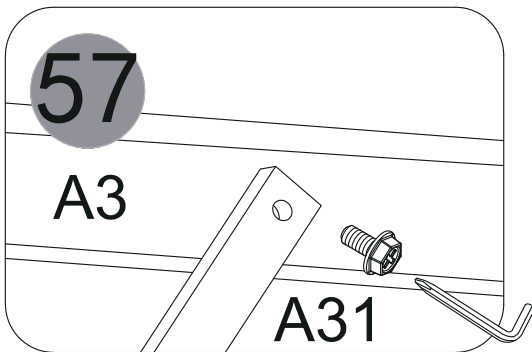
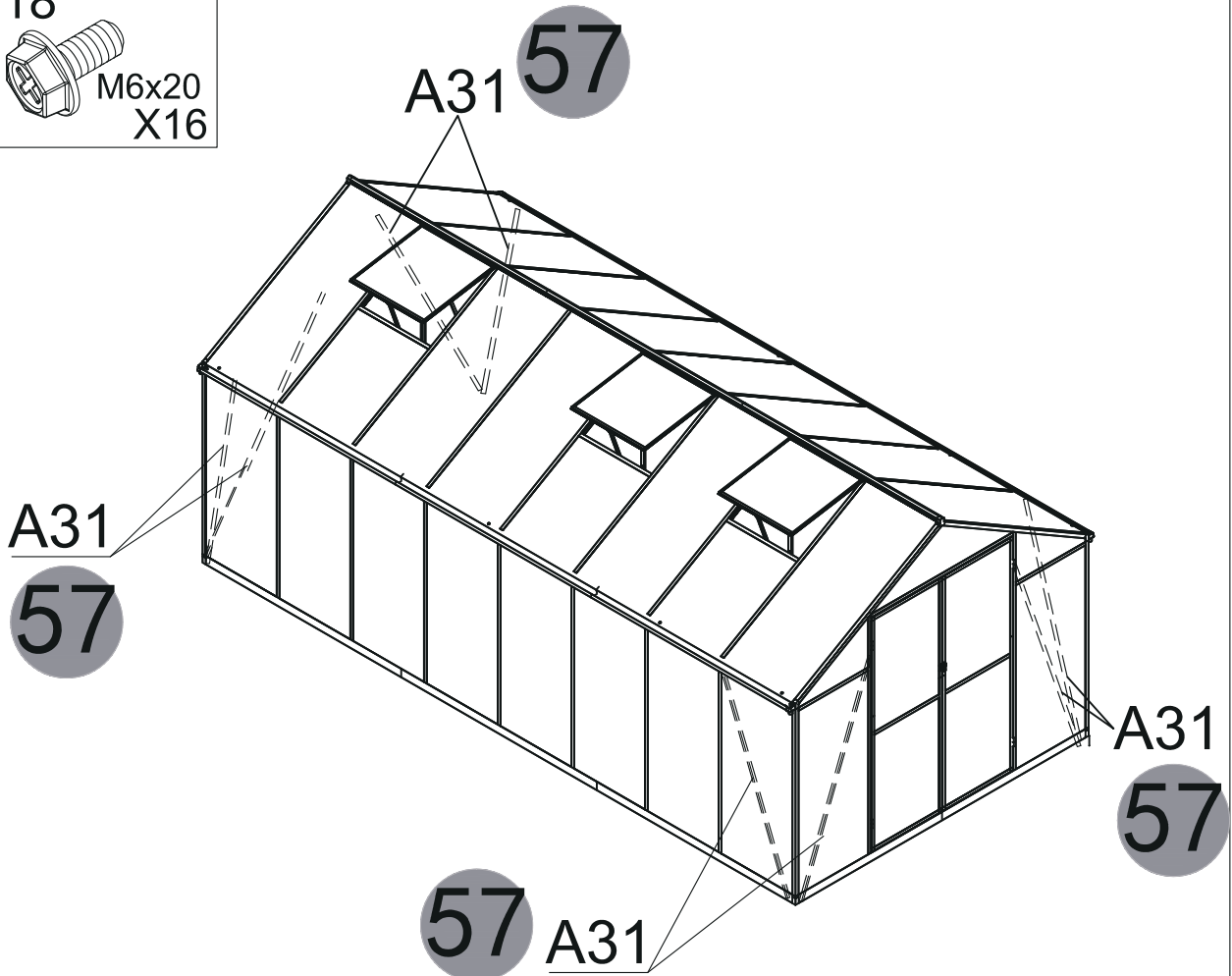




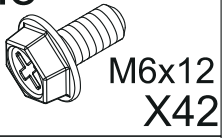
53



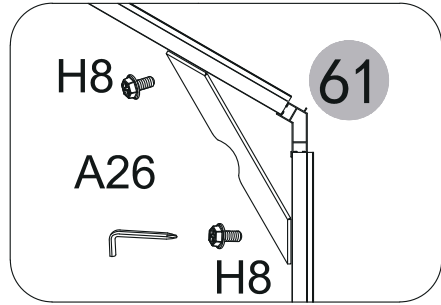
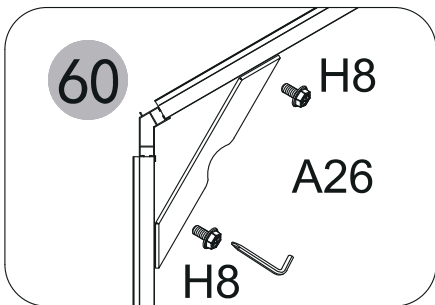
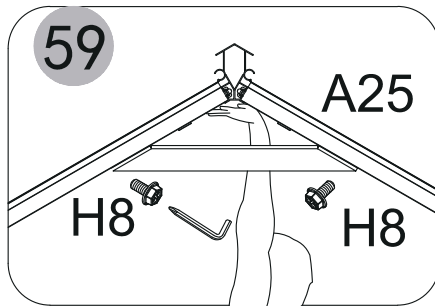
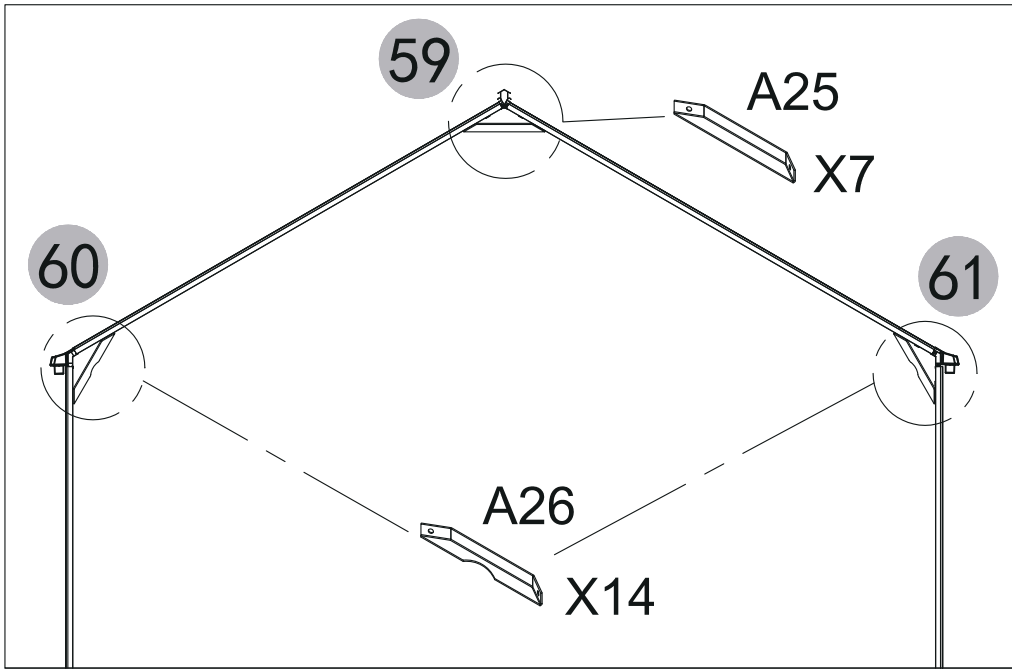
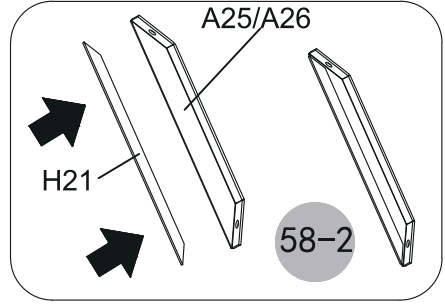
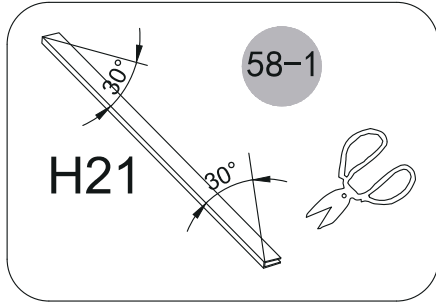
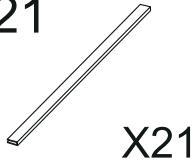
H18

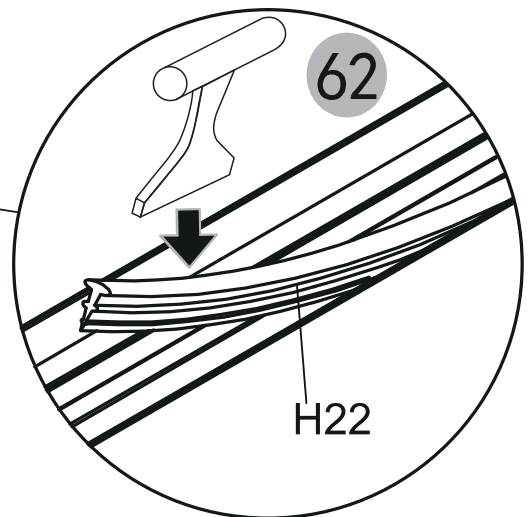
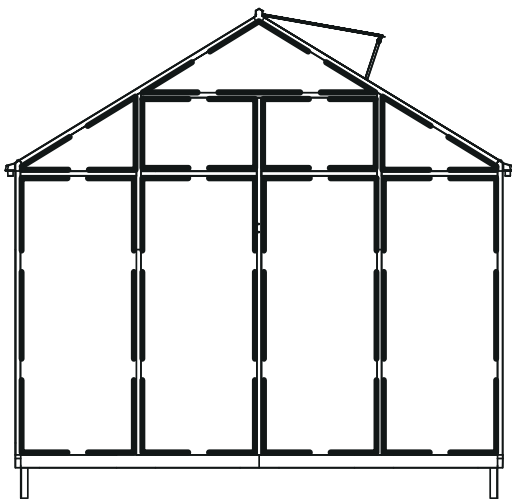
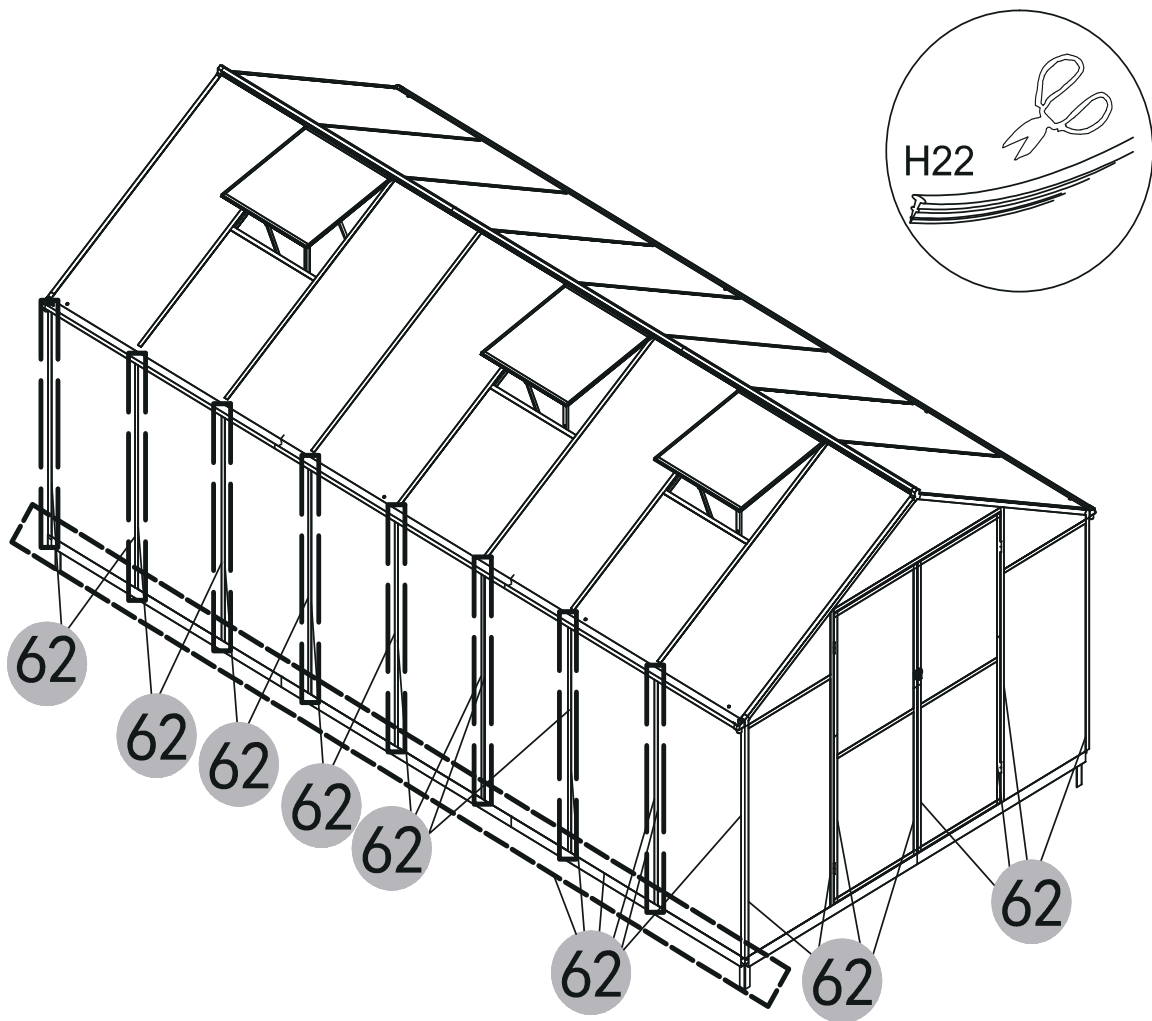


H8



H21





Contact information

Austria



Belgium



Croatia



Denmark



Estonia



Finland



France



Germany



Ireland



Italy



Latvia



Lithuania



Nederland



Norway



Poland



Portugal



Spain



Sweden



Switzerland



UK

