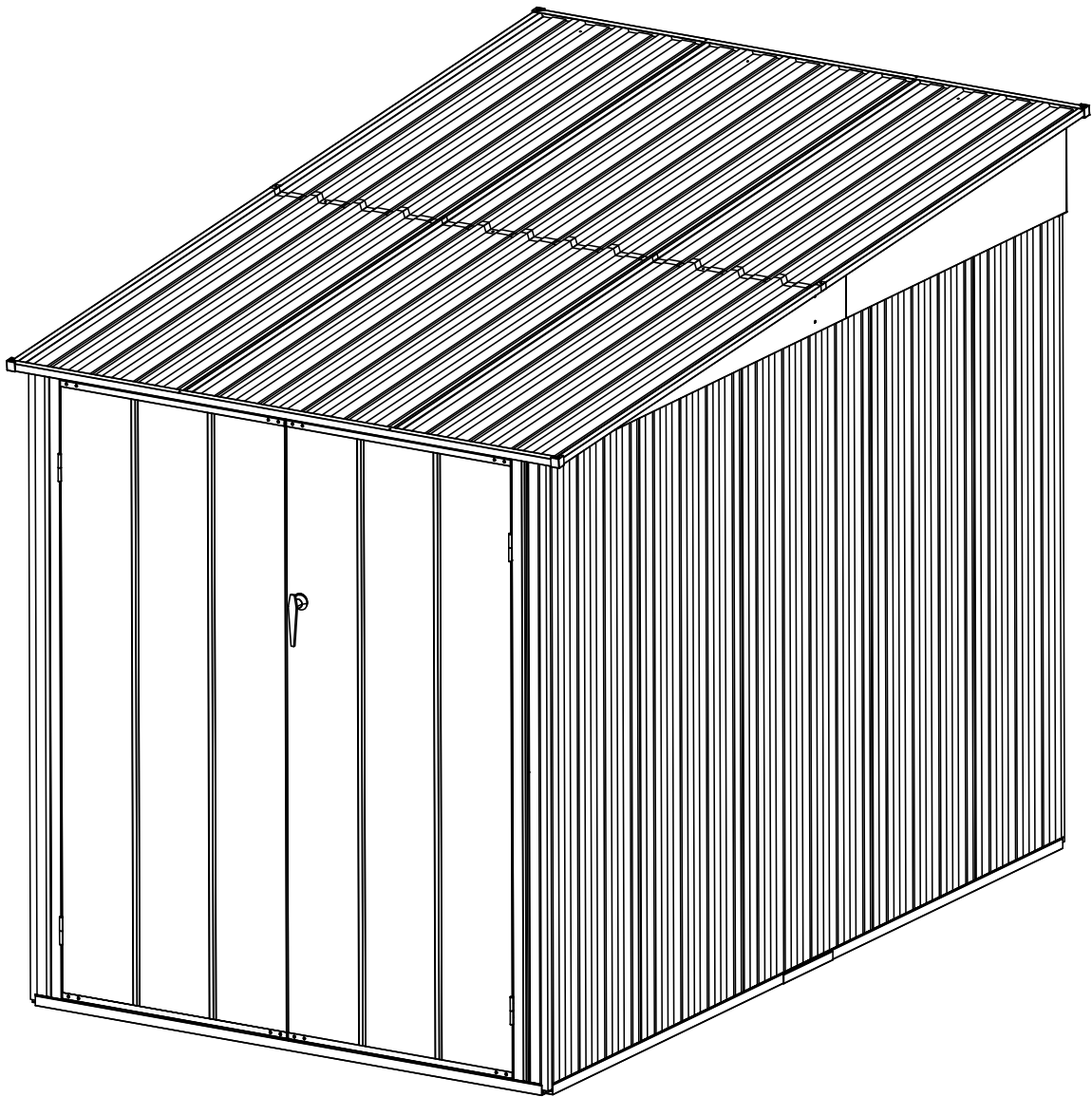


Manual
for
Bike Storage
1,38x2,17x1,65m

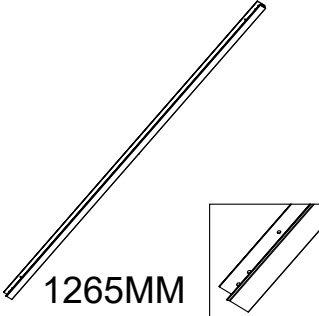
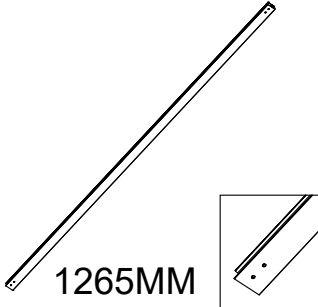
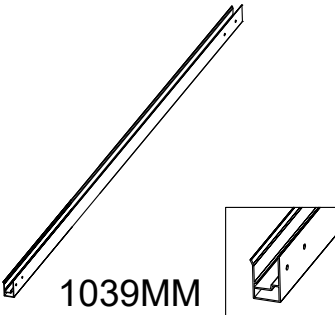
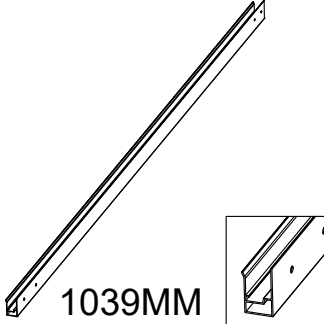
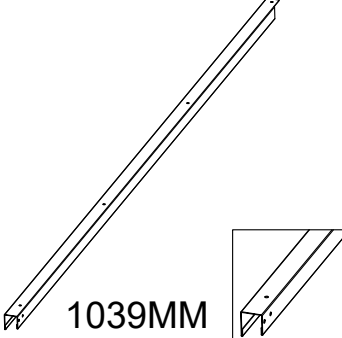
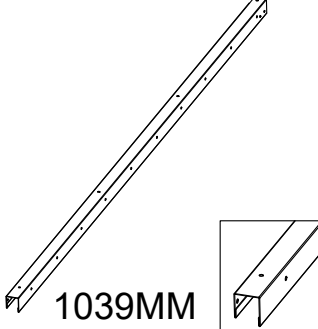
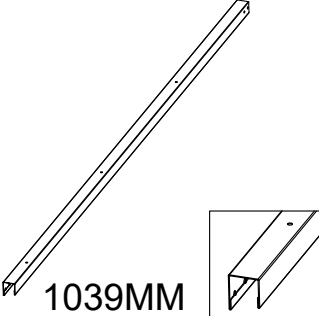
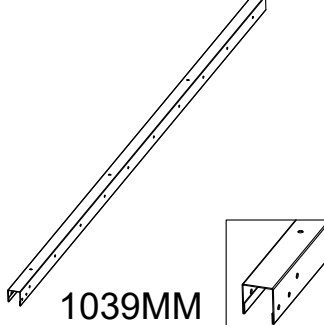
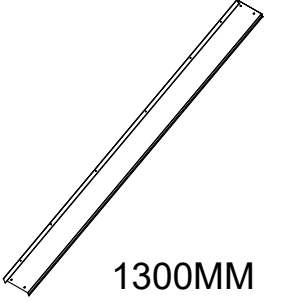
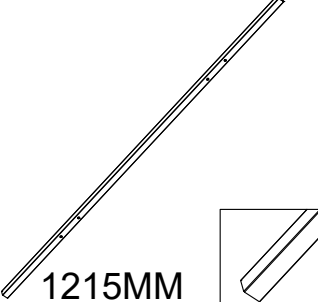
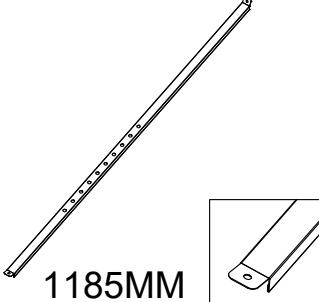
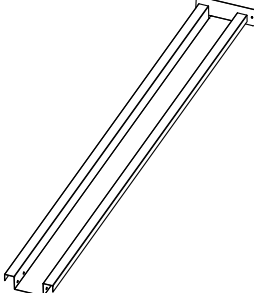


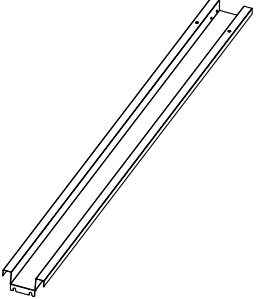
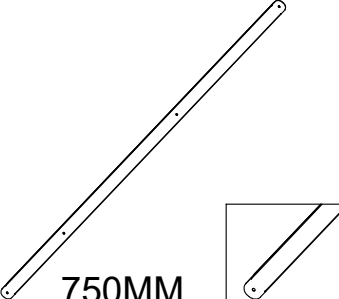
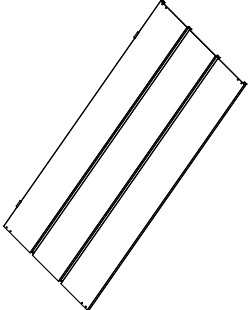
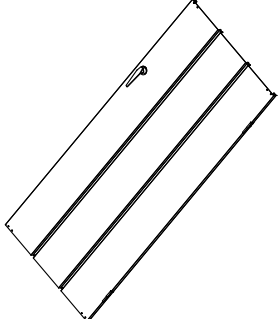
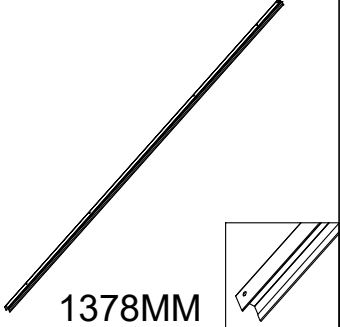
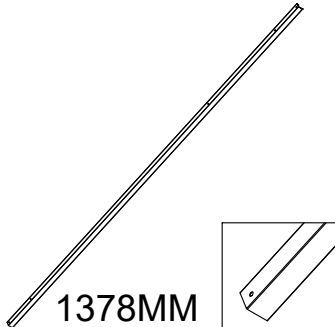
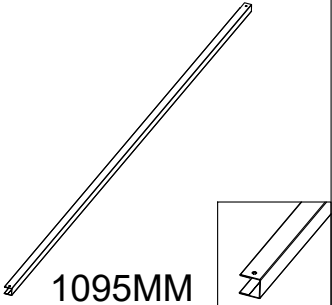
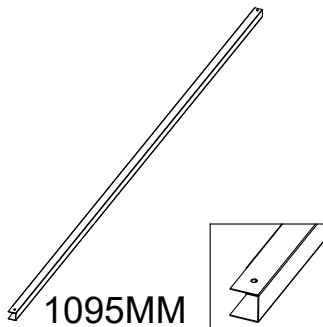
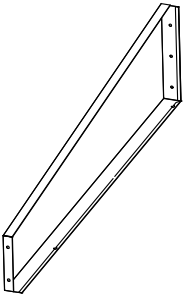
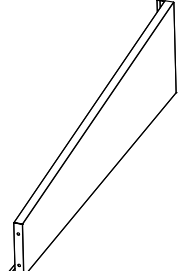
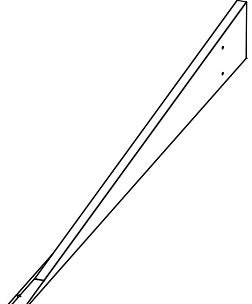
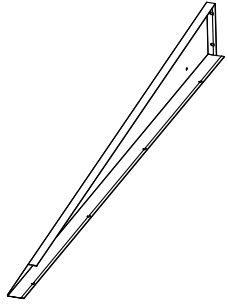
ASSEMBLY INSTRUCTIONS

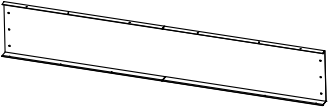
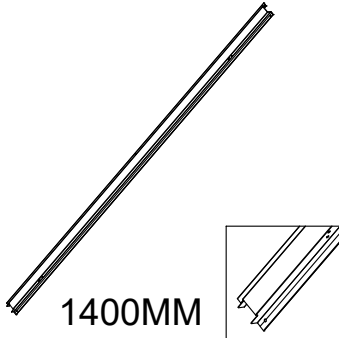
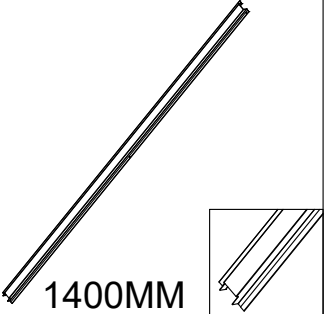
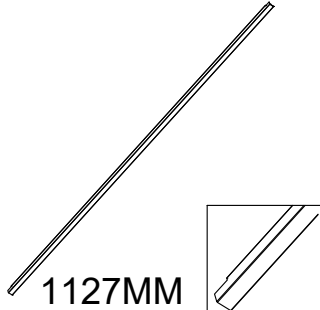

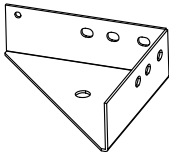
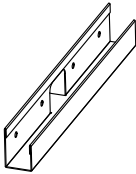
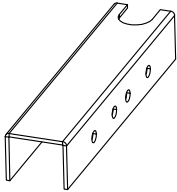
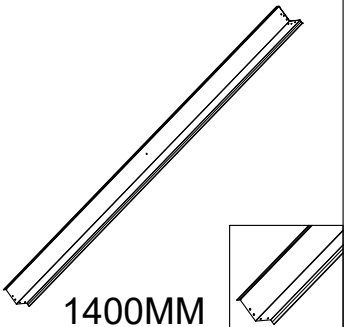
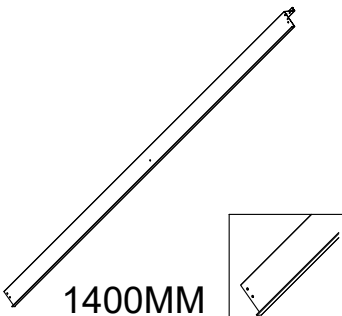
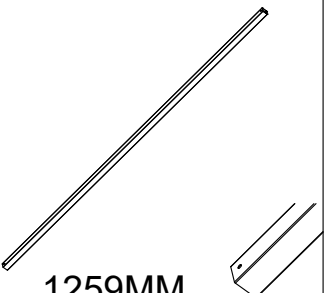
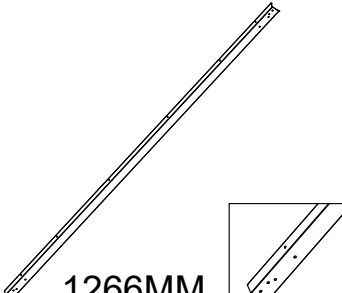
Bike Storage

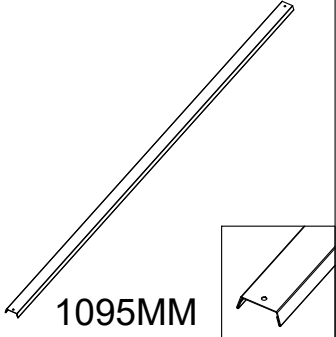
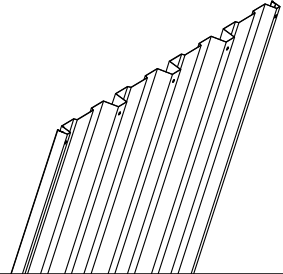
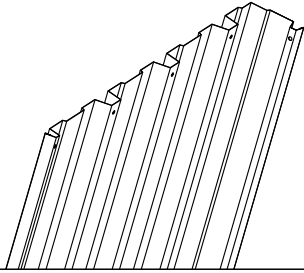
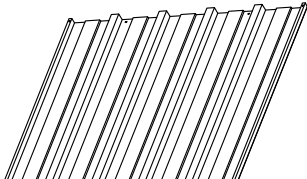


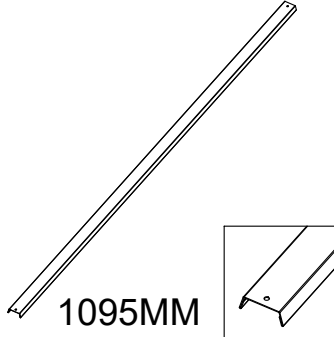
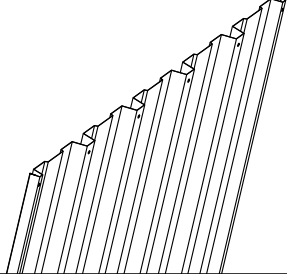
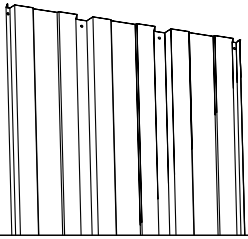
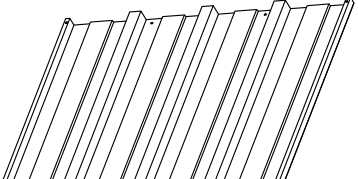
1380x2170x1650mm (1410mm)

| | | | | | | |
|------|---|----|--|------|---|----|
| A1 |  | X1 | | A2 |  | X1 |
| A3-A |  | X2 | | A3-B |  | X2 |
| A4-A |  | X1 | | A4-B |  | X1 |
| A5-A |  | X1 | | A5-B |  | X1 |
| A6 |  | X1 | | A7 |  | X1 |
| A8 |  | X4 | | A9 |  | X2 |

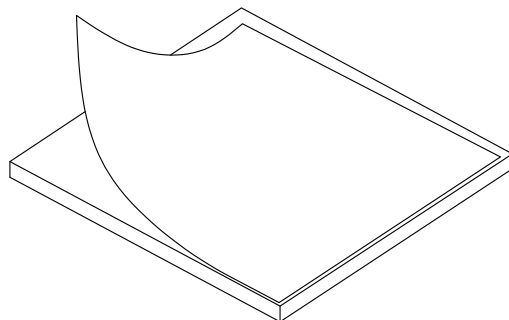
| | | | | | | |
|-------|---|----|--|-------|---|----|
| A10 |  | X2 | | A11 |  | X4 |
| A14 |  | X1 | | A15 |  | X1 |
| A16 |  | X1 | | A17 |  | X1 |
| A18-A |  | X2 | | A18-B |  | X2 |
| A19-A |  | X1 | | A19-B |  | X1 |
| A20-A |  | X1 | | A20-B |  | X1 |

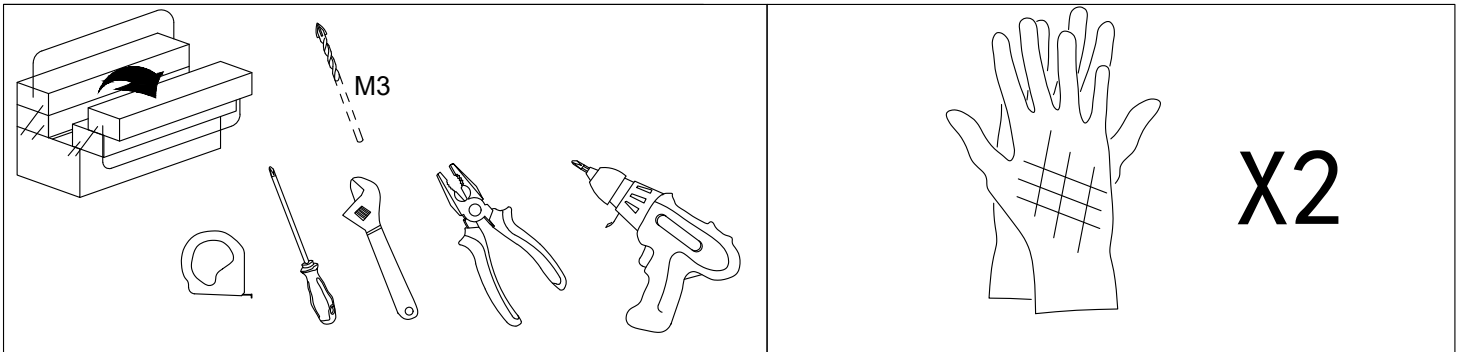
| | | | | | | |
|-------|---|----|--|-------|---|----|
| A21 |  | X1 | | A22-A |  1400MM | X1 |
| A22-B |  1400MM | X1 | | A24 |  1127MM | X1 |
| A25 |  | X2 | | A26 |  | X4 |
| A27 |  | X2 | | A29 |  | X2 |
| A30-A |  1400MM | X2 | | A30-B |  1400MM | X2 |
| A31 |  1259MM | X1 | | A32 |  1266MM | X1 |

| | | |
|-----|---|----|
| A33 |  | X2 |
| B1 |  | X6 |
| B3 |  | X4 |
| B5 |  | X2 |

| | | |
|-----|---|----|
| A34 |  | X2 |
| B2 |  | X2 |
| B4 |  | X1 |
| B6 |  | X4 |

The surface comes with an easy-tear film





H1

M4. 2X13

X151

H2

M6X100

X6

H3

M4. 2X13

X55

H4

M4X10

X28

H5

M4

X18

H6

X4

H7

X82

H9

X18

H10

M5

X8

H11

M5X10

X8

H15

X1

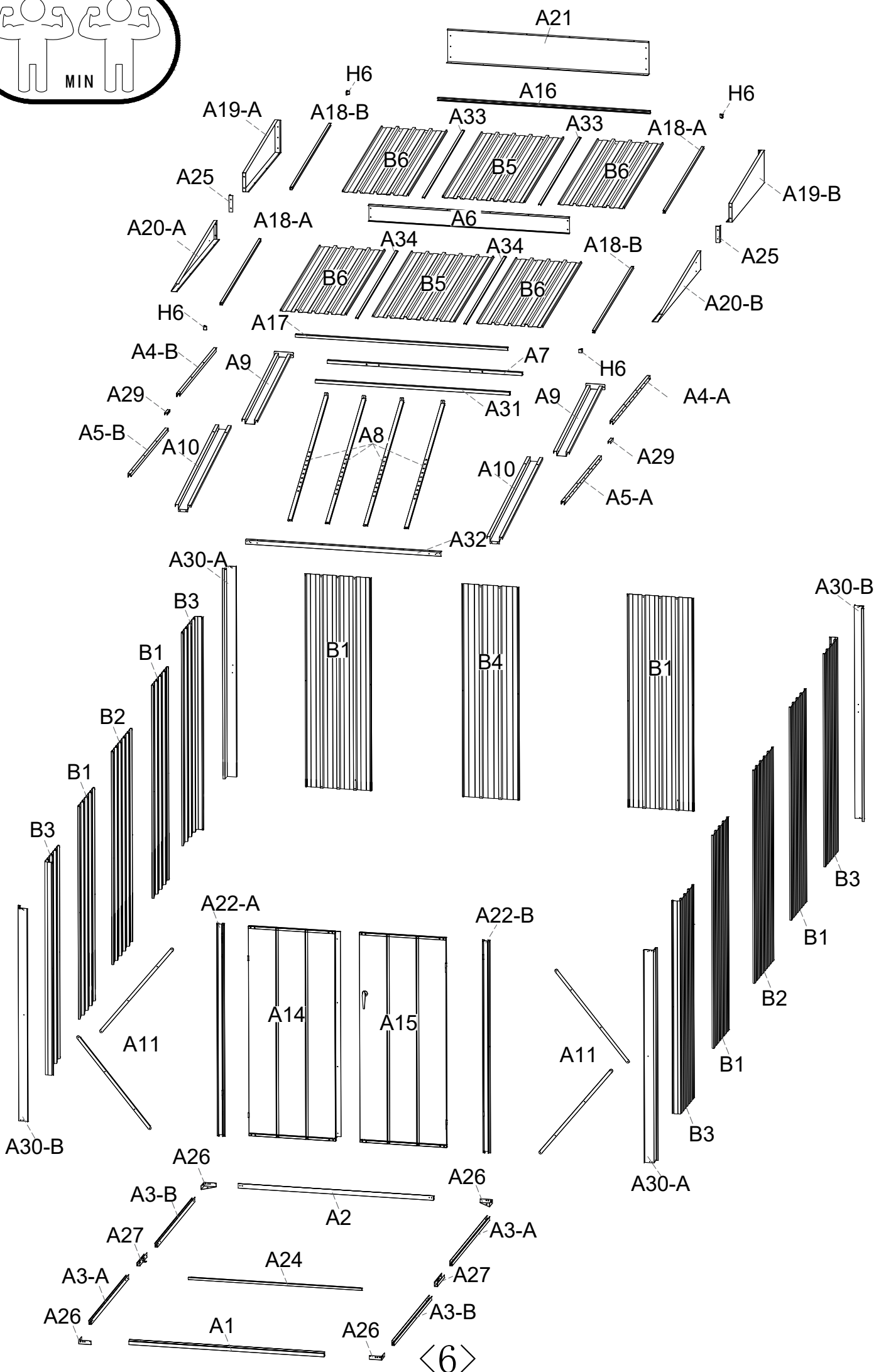
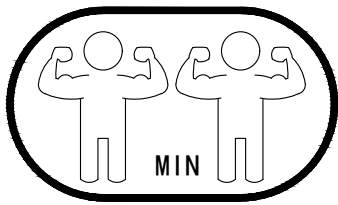
H14

X2

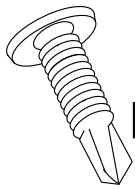
H16

M4. 2X25

X2

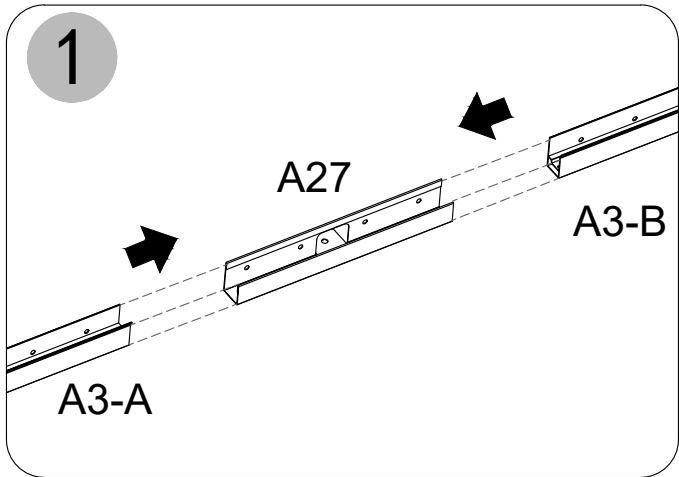
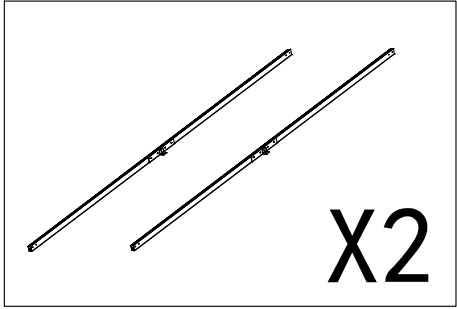
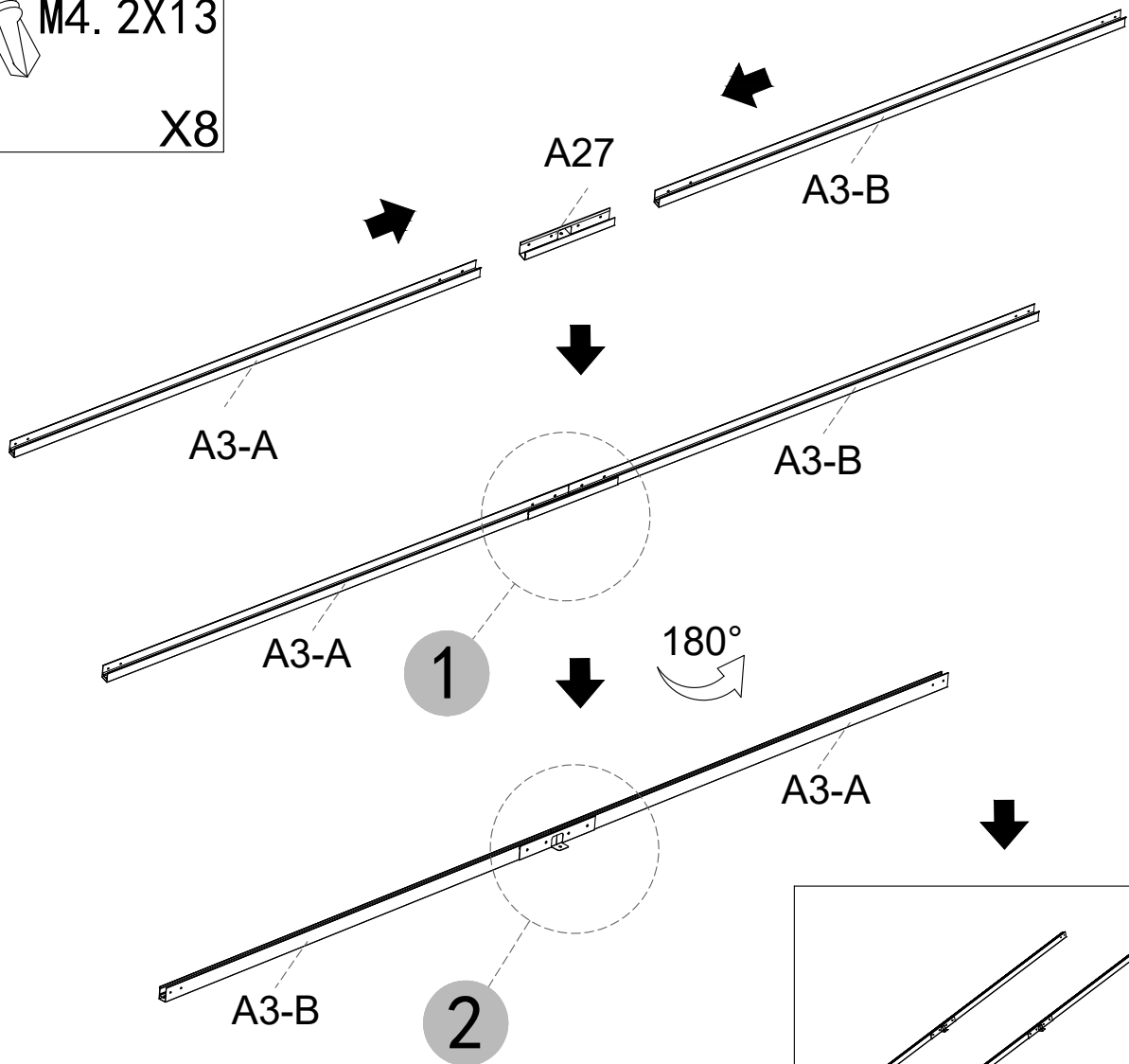


H1

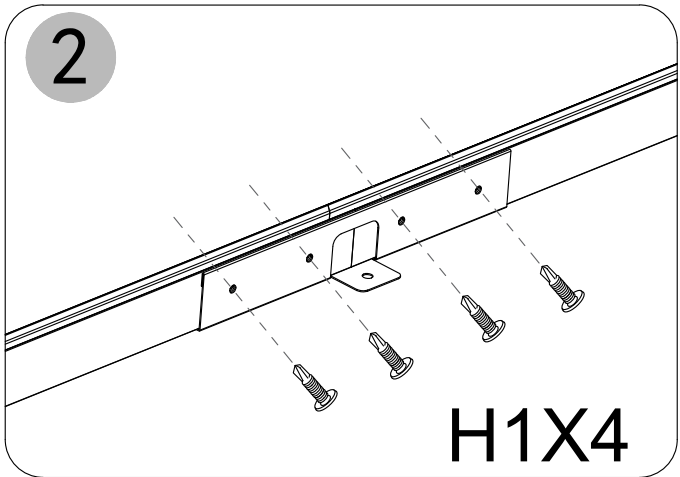


M4. 2X13

X8

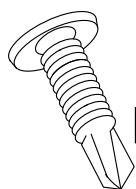


X2



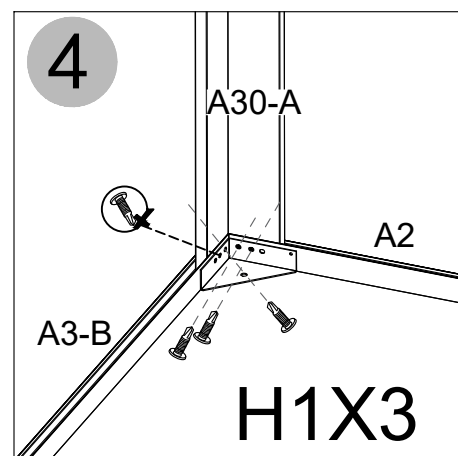
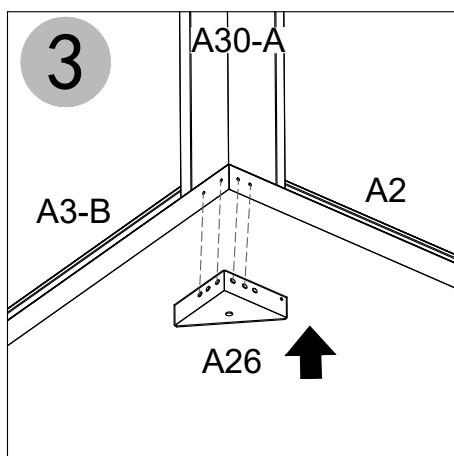
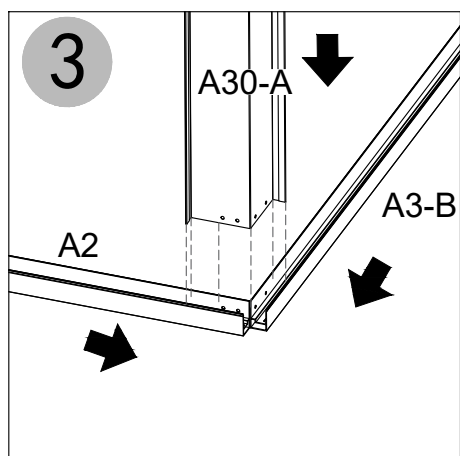
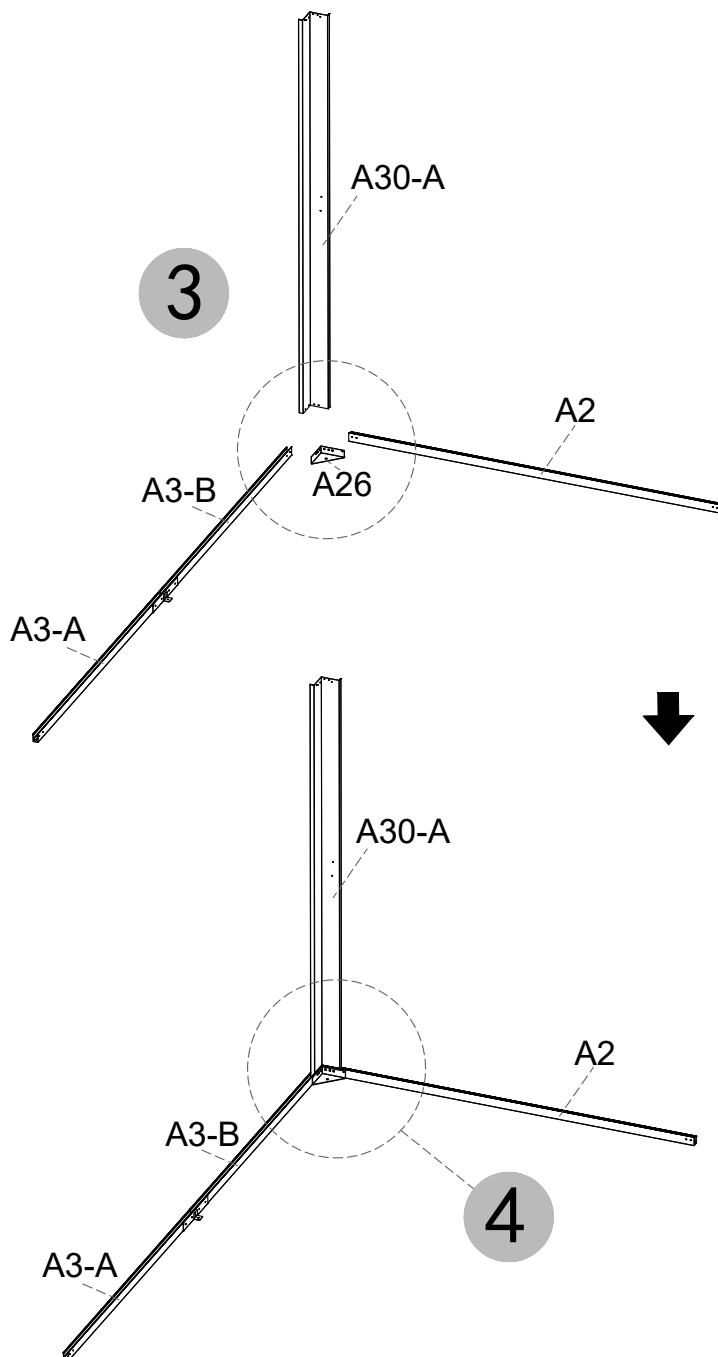
H1X4

H1

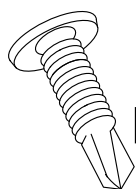


M4. 2X13

X3

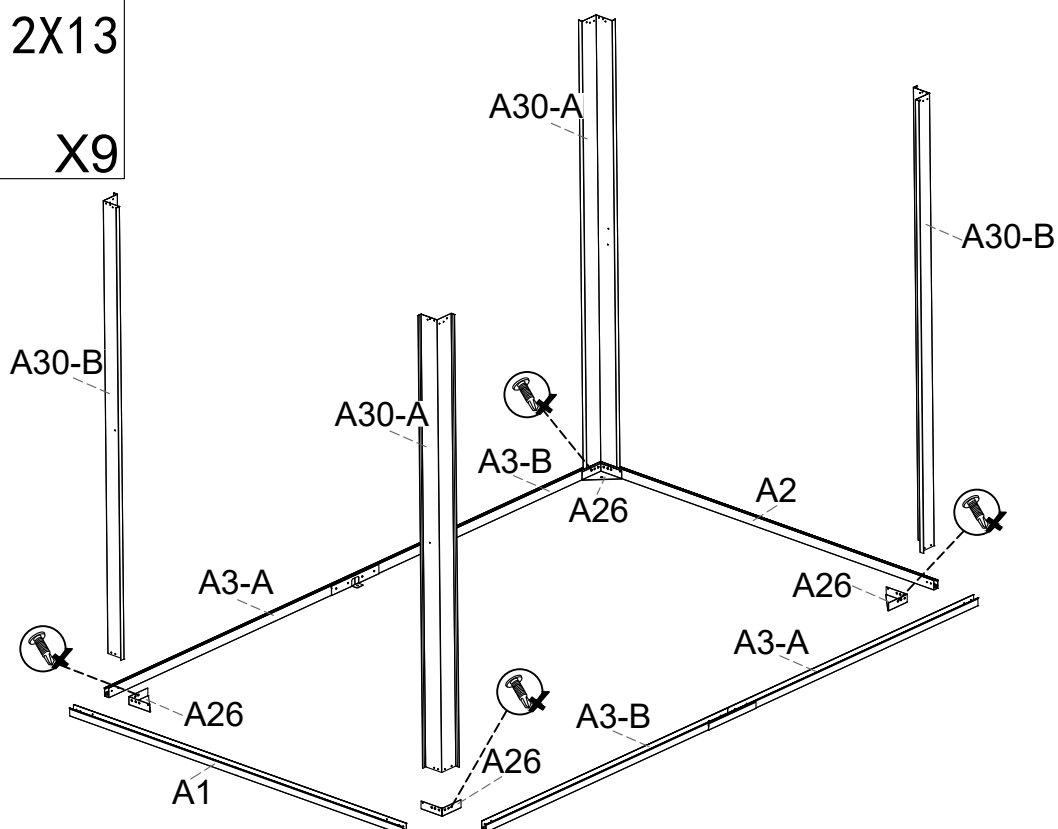


H1



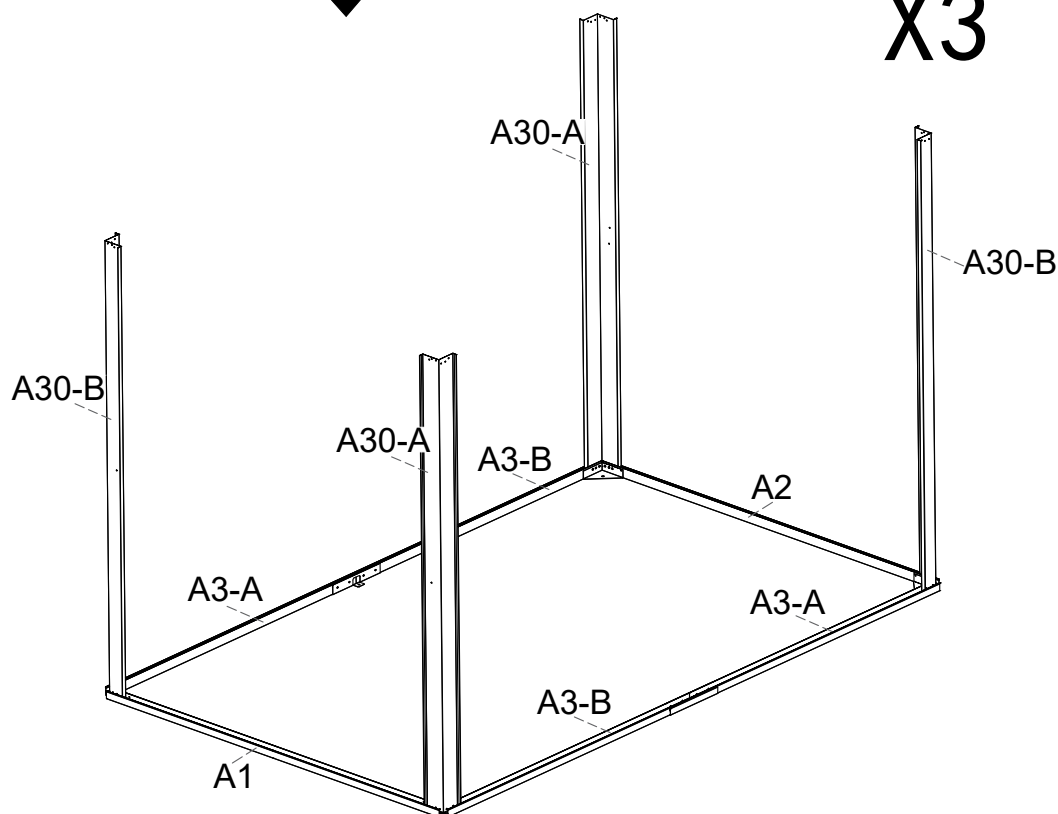
M4. 2X13

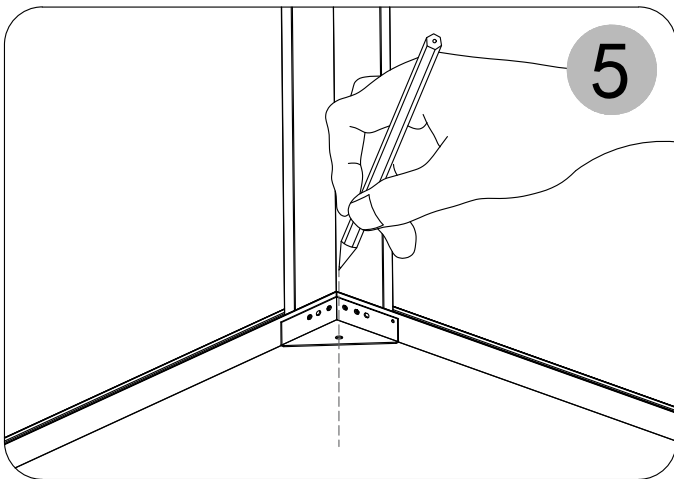
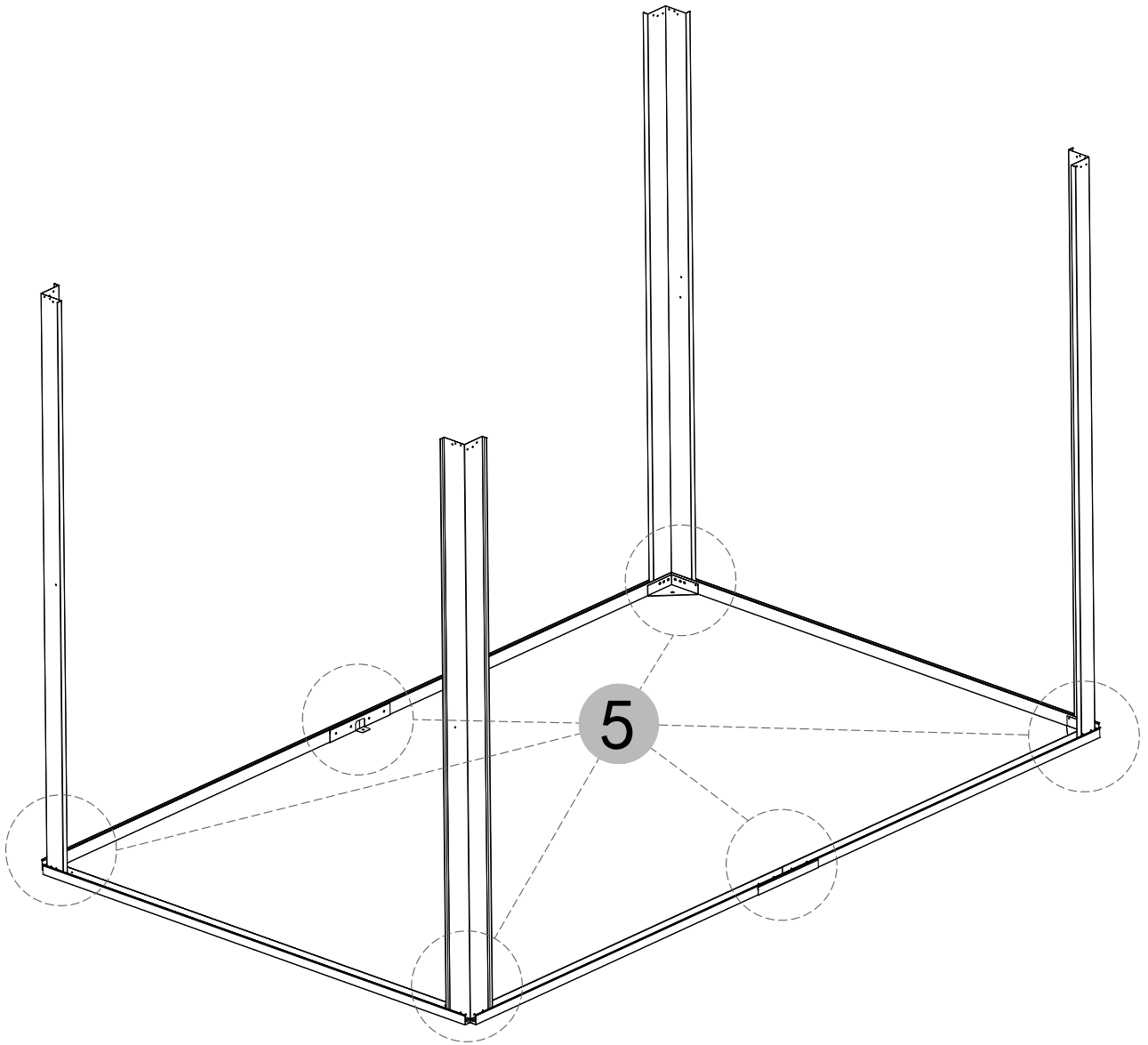
X9



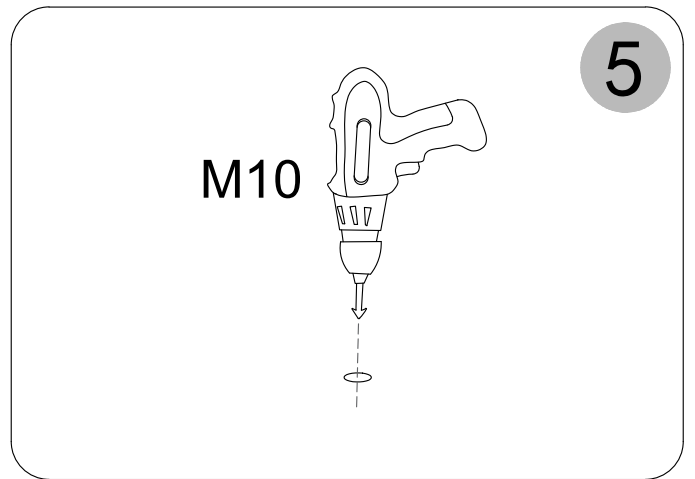
3 → 4

X3





X6



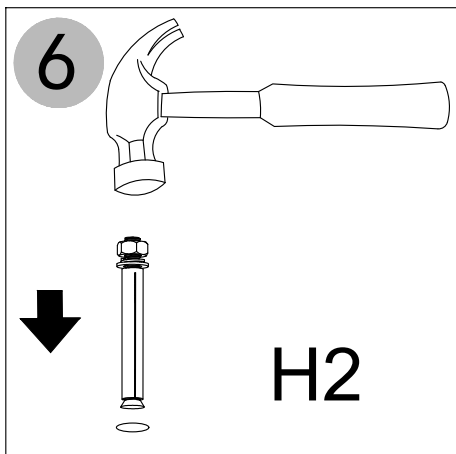
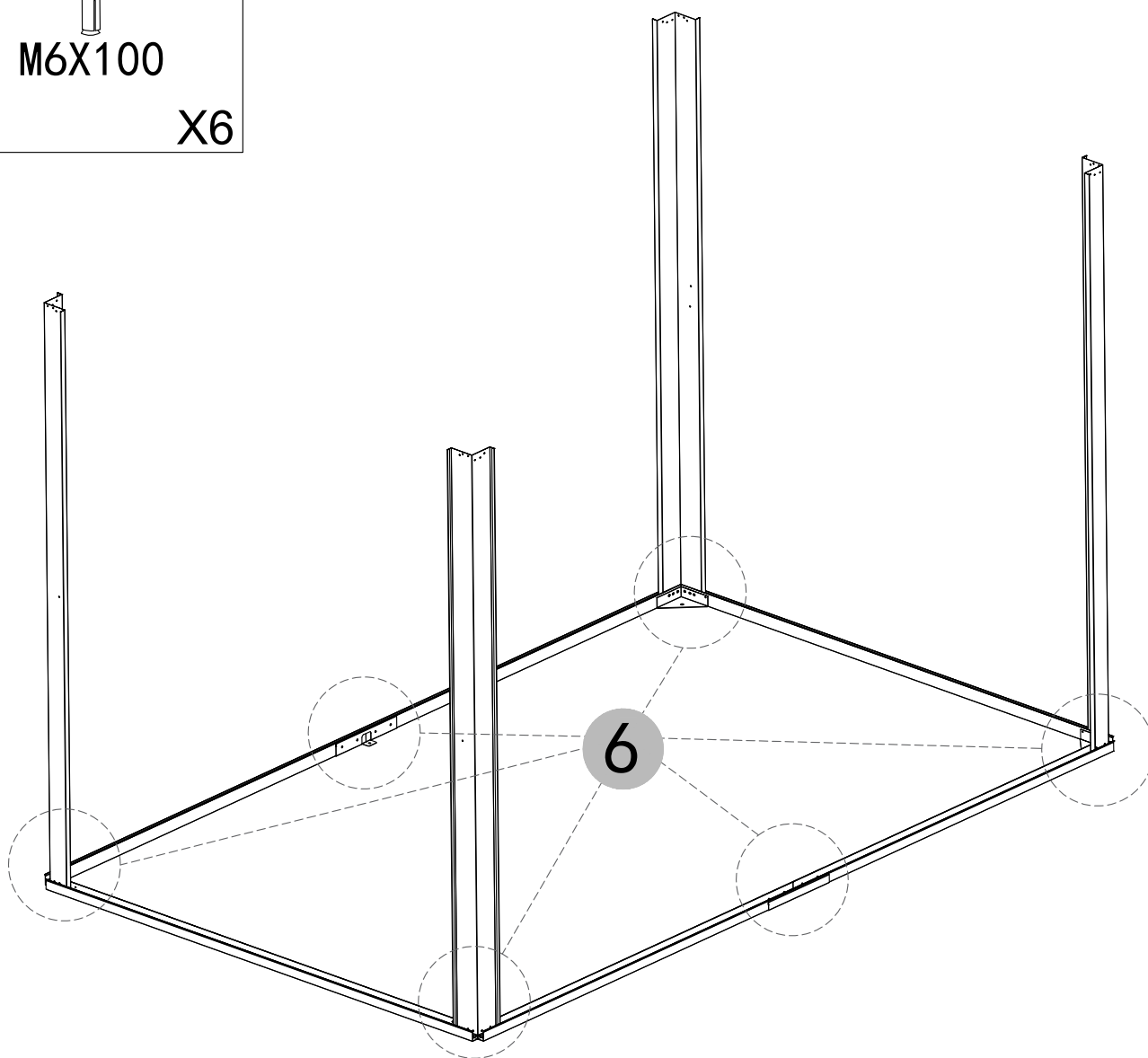
X6

H2

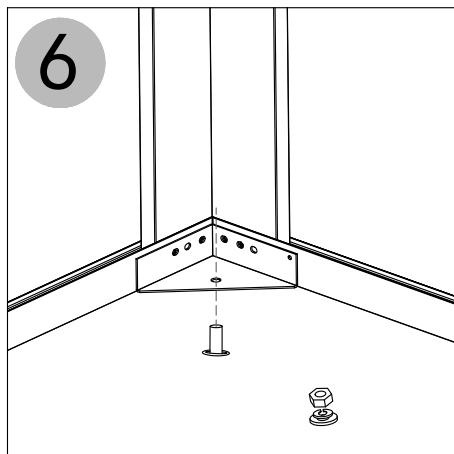


M6X100

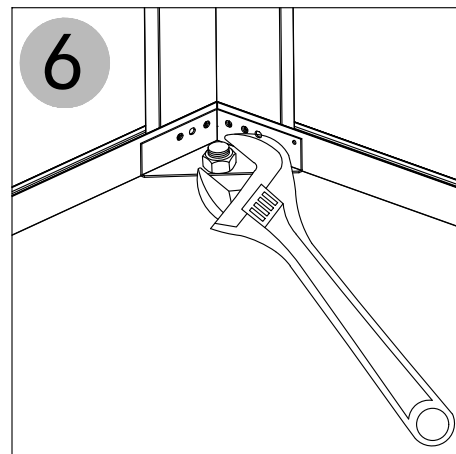
X6



X6

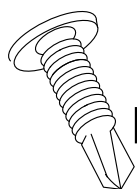


X6



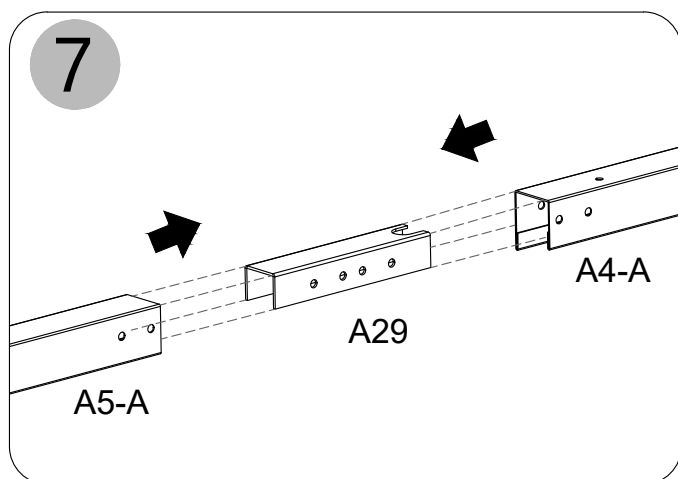
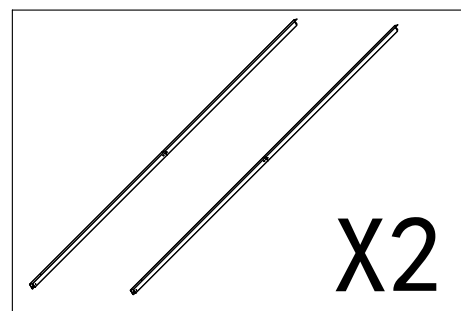
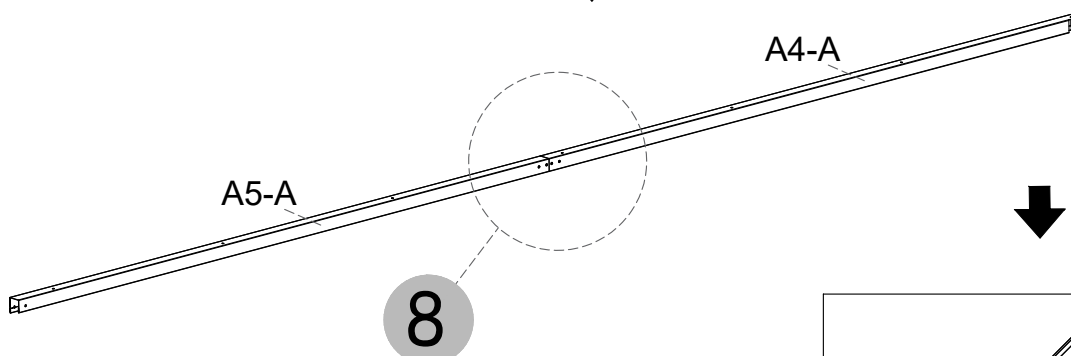
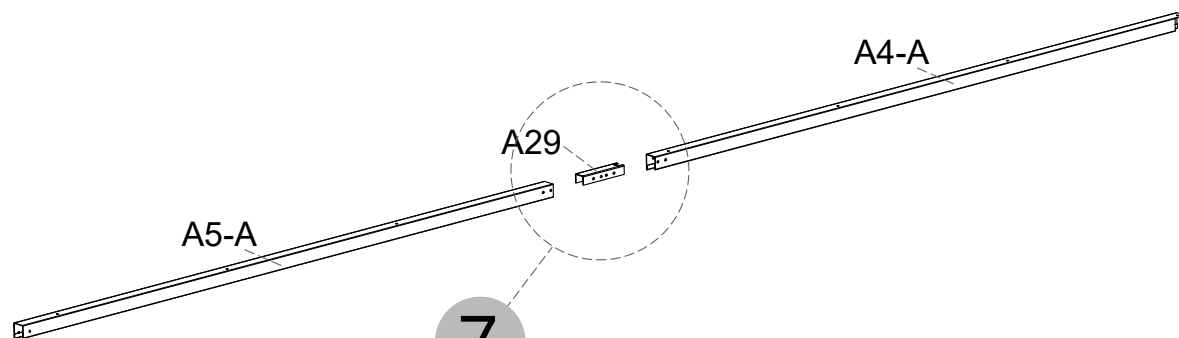
X6

H1

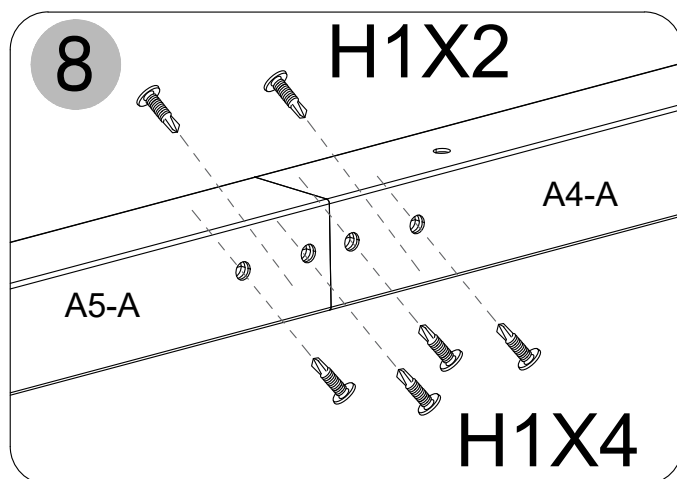


M4. 2X13

X12

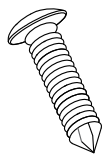


X2



X2

H3



M4. 2X13

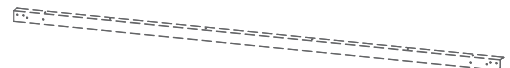
X8



9



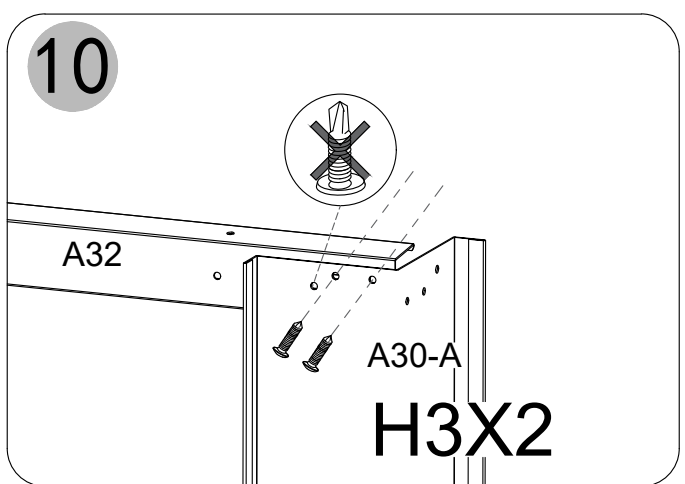
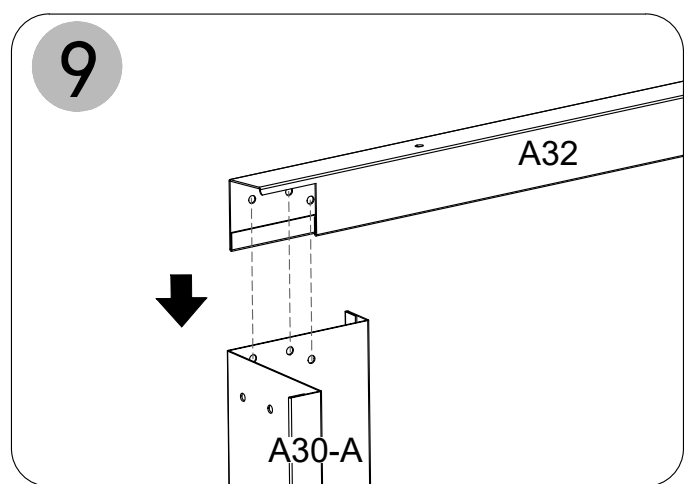
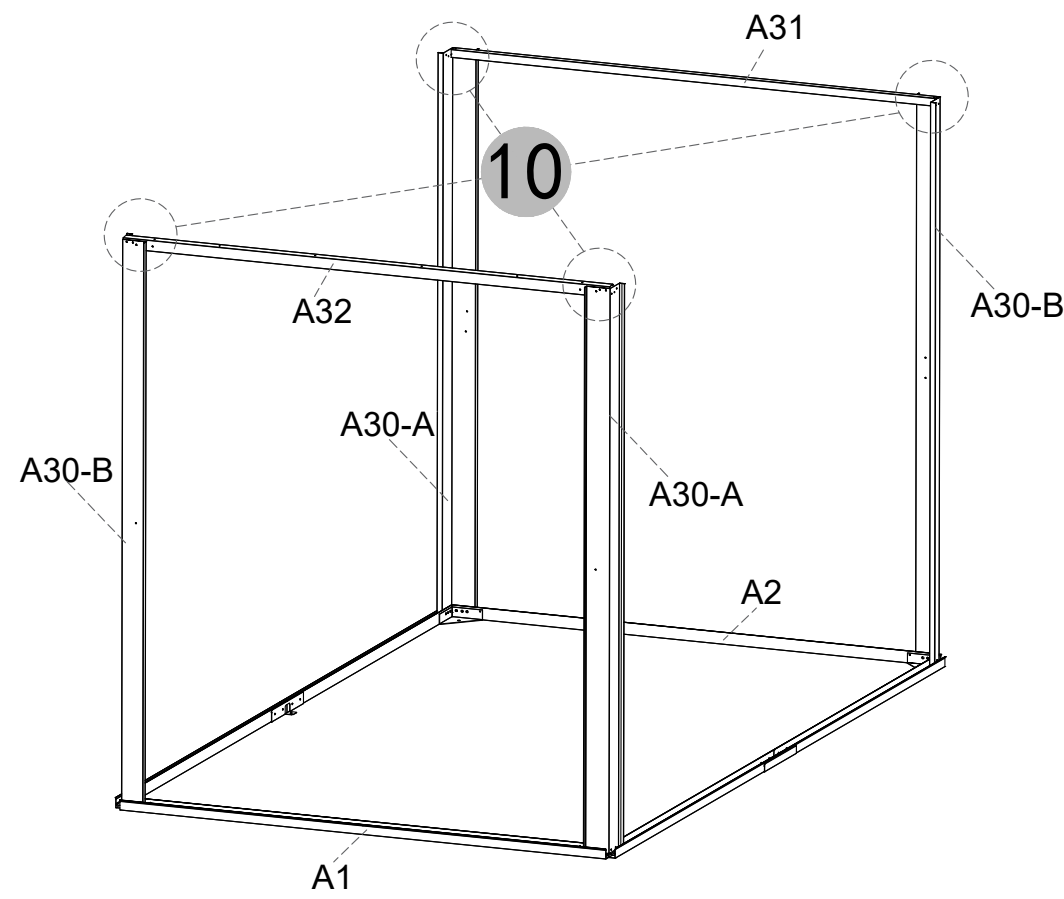
A31



9



A32



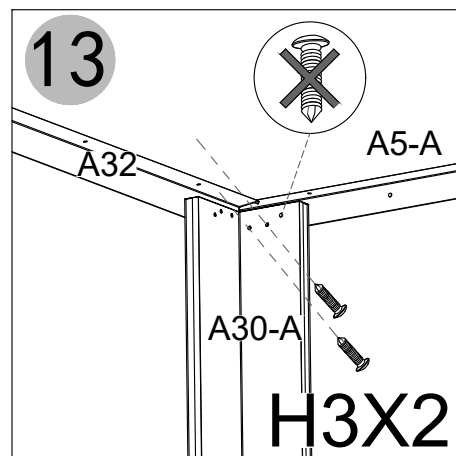
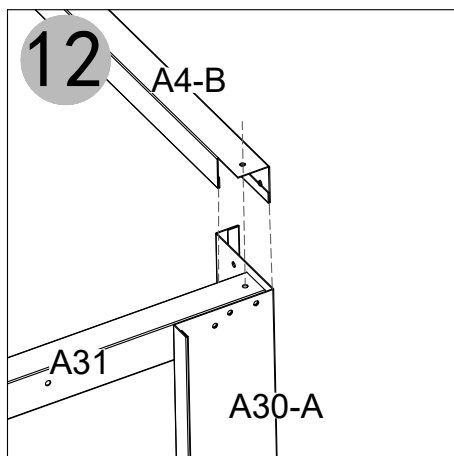
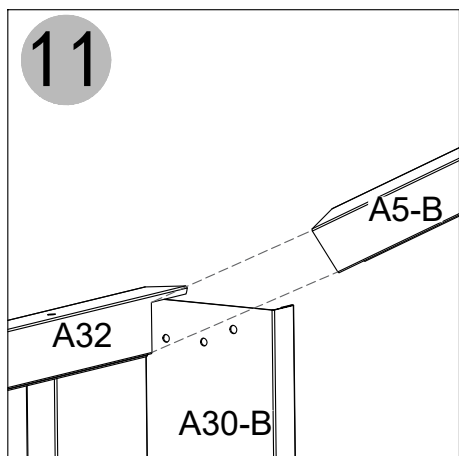
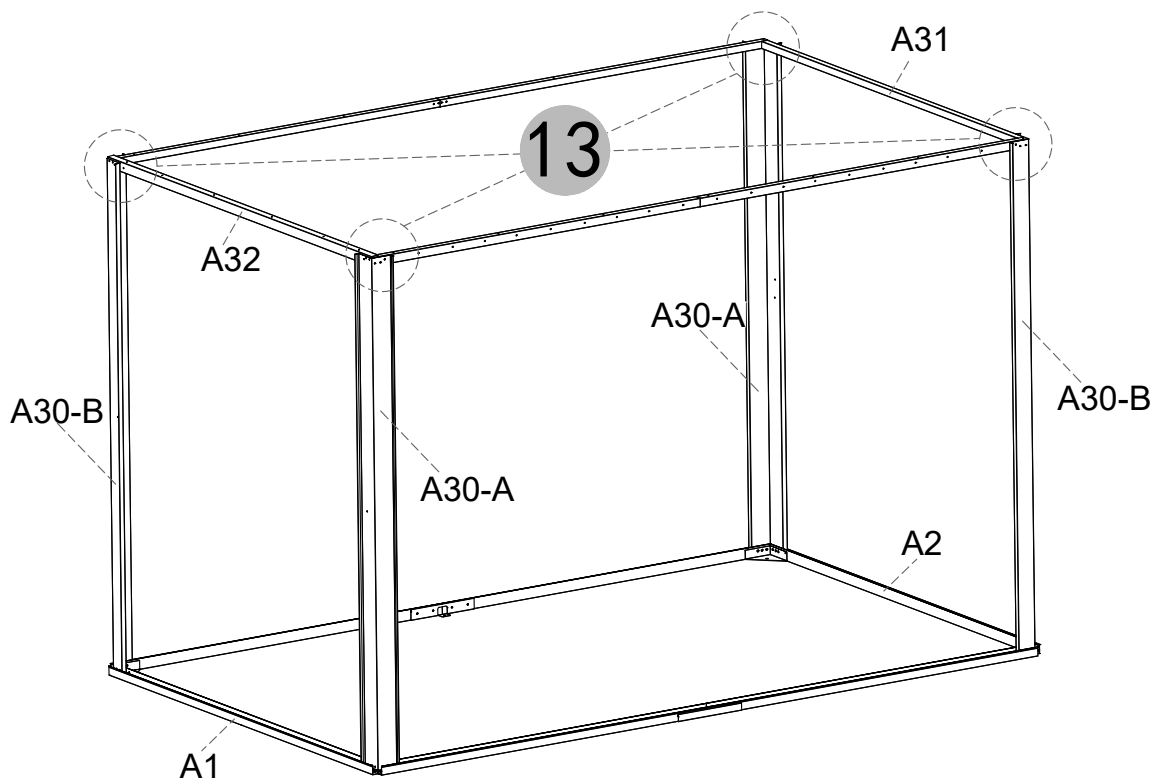
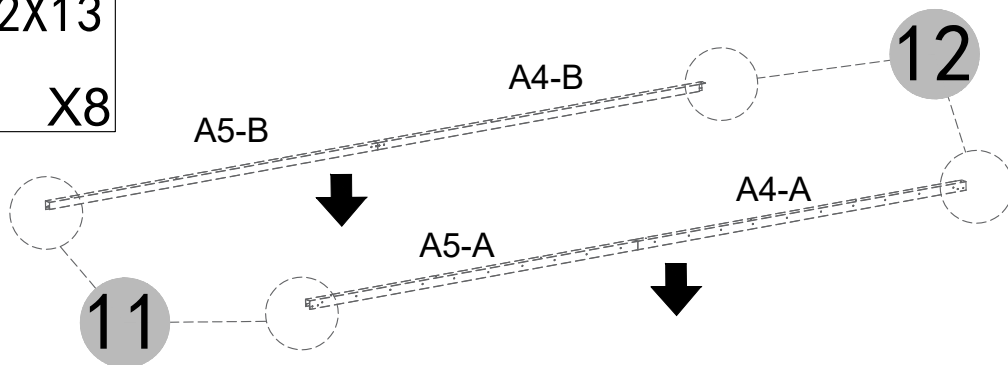
X4

H3



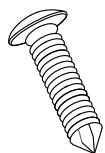
M4. 2X13

X8



X4

H3



M4. 2X13

X4

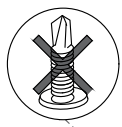
14



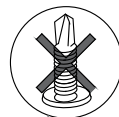
A22-A

A22-B

A31



A30-A



A30-B

15

A30-A

A30-B

A2

16

A1

14

A22-B



A1

15

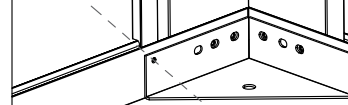
A5-B



H3X1

X2

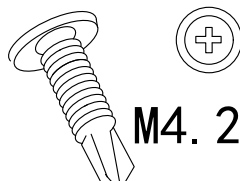
16



H3X1

X2

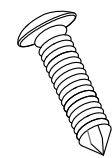
H1



M4. 2X13

X3


H3



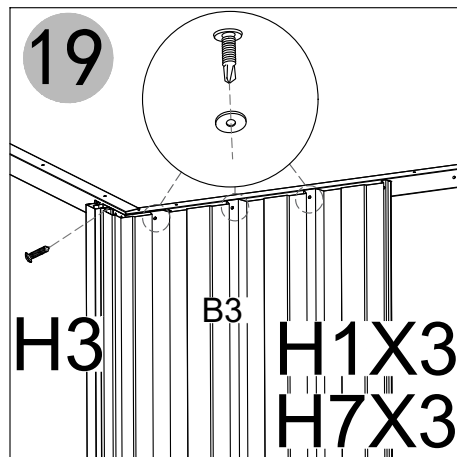
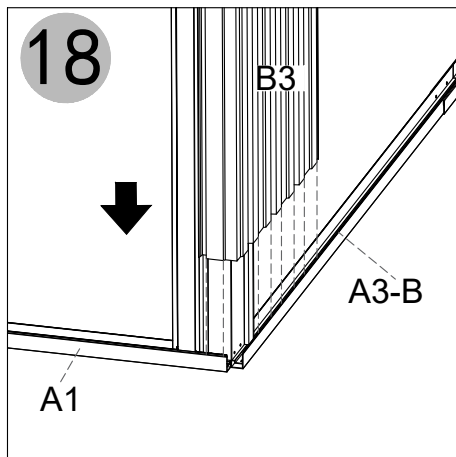
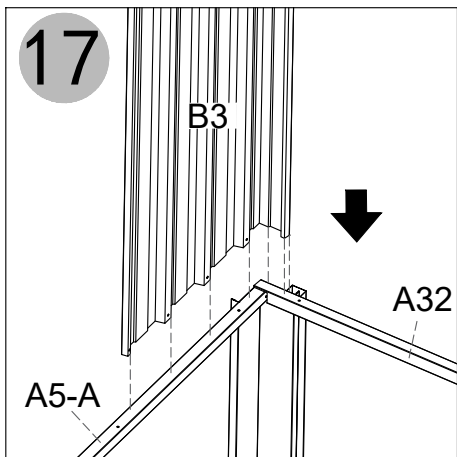
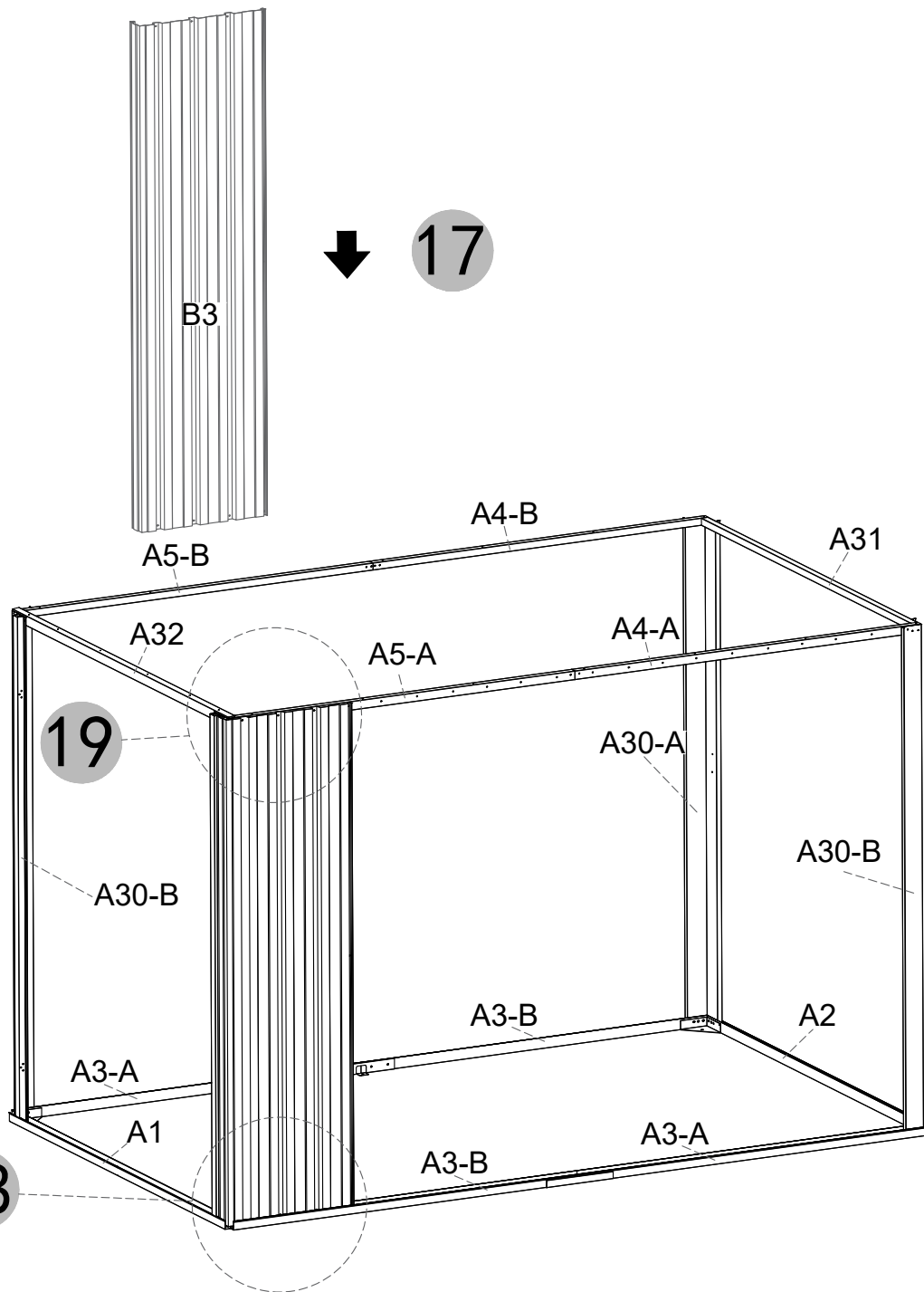
M4. 2X13

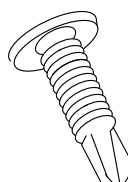
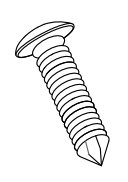
X1

H7

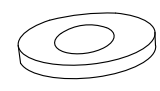


X3

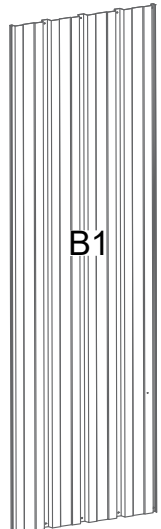


| | |
|--|--|
| <p>H1</p>  <p>M4. 2X13</p> <p>X3</p> | <p>H3</p>  <p>M4. 2X13</p> <p>X1</p> |
|--|--|

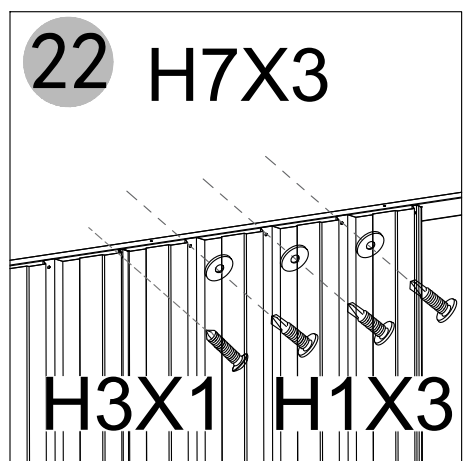
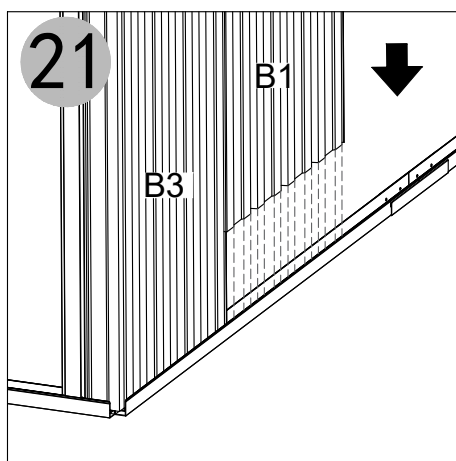
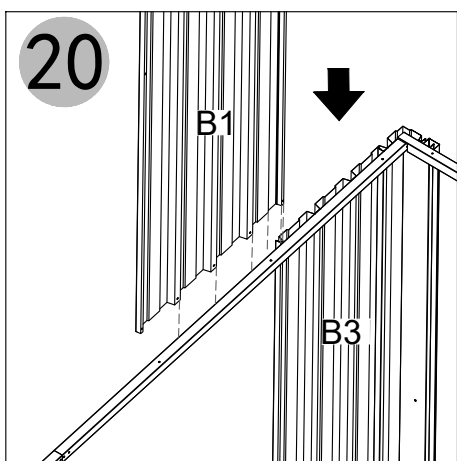
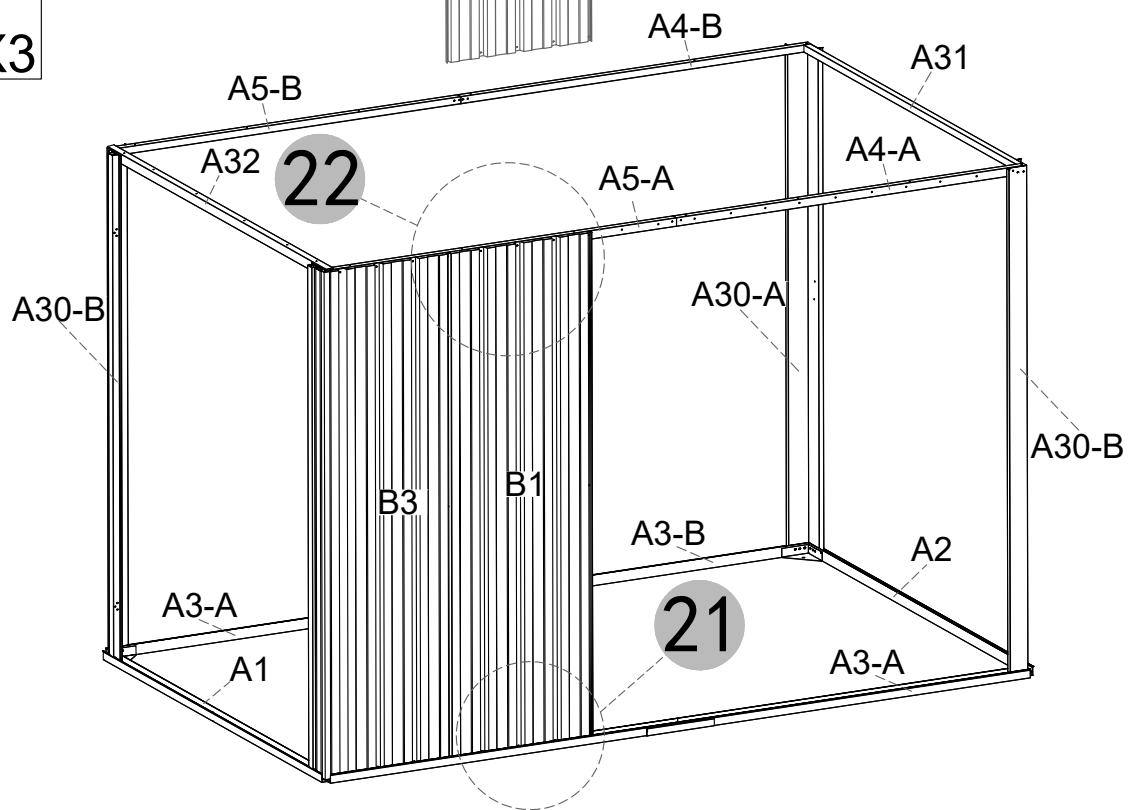
H7

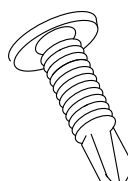
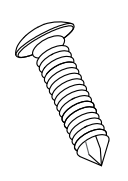


X3

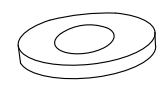


↓ **20**

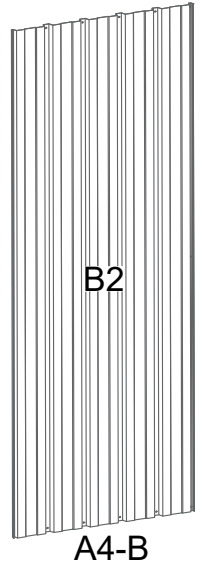


| | |
|--|--|
| <p>H1</p>  <p>M4. 2X13</p> <p>X4</p> | <p>H3</p>  <p>M4. 2X13</p> <p>X1</p> |
|--|--|

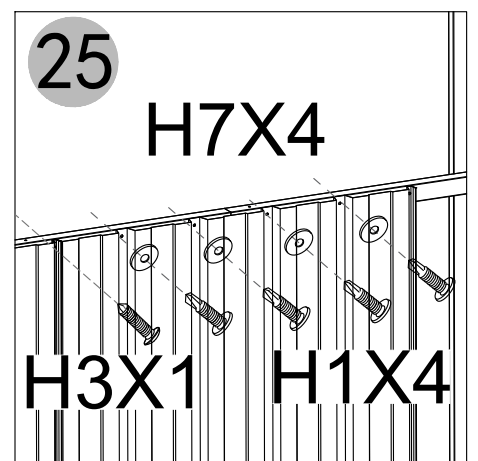
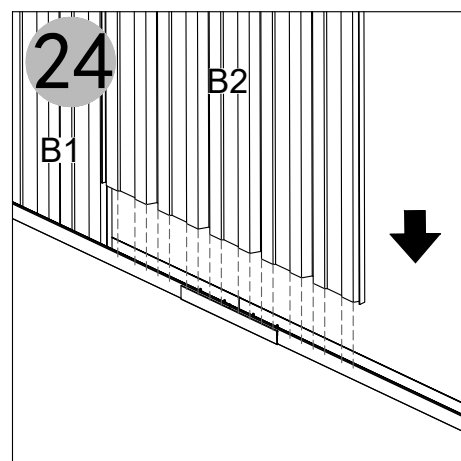
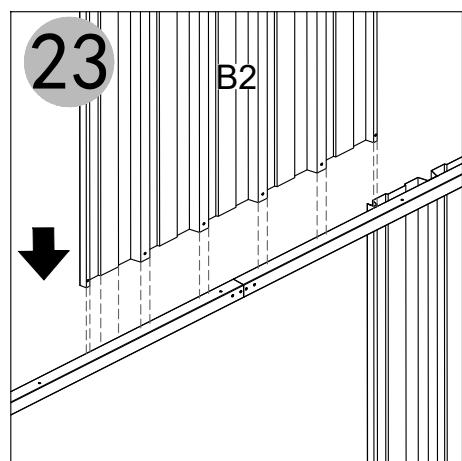
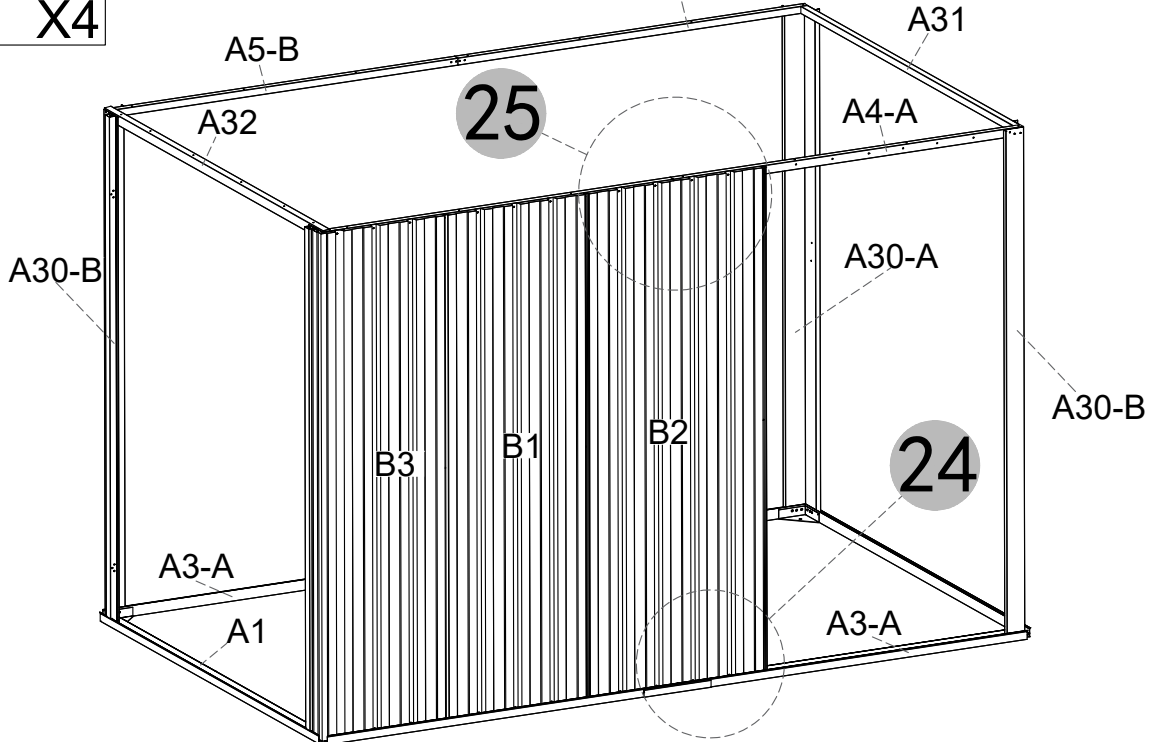
H7

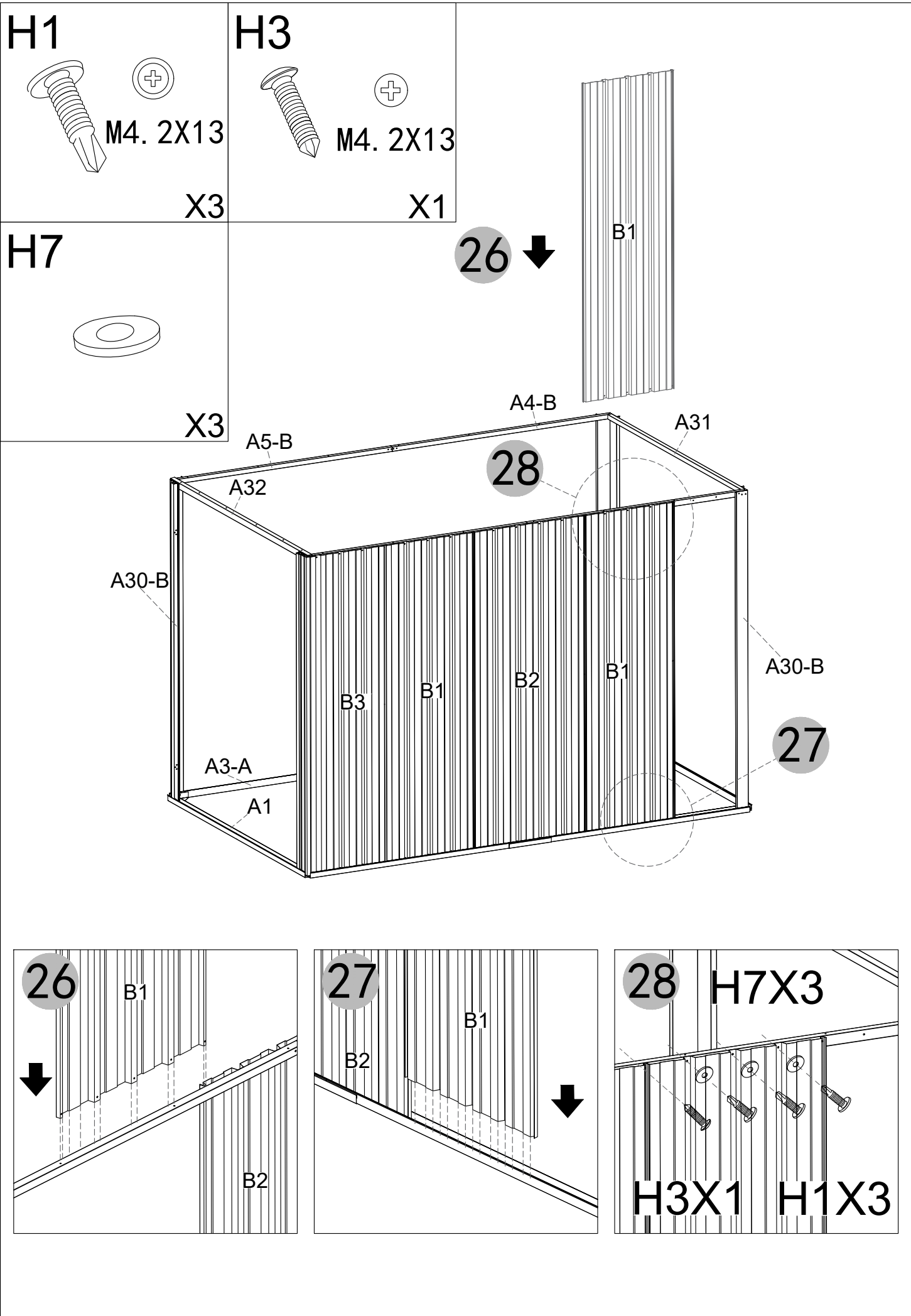


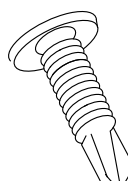
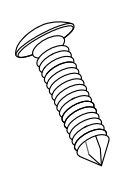
X4



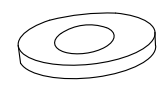
23 ↓



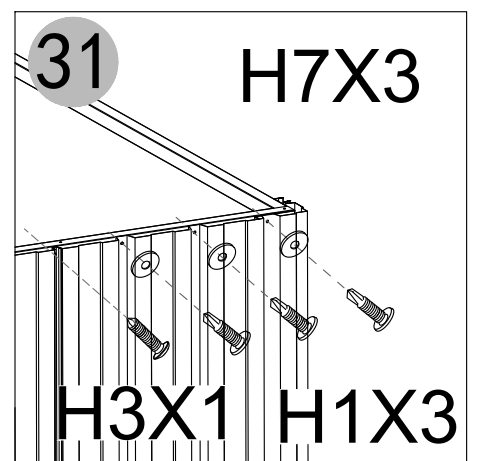
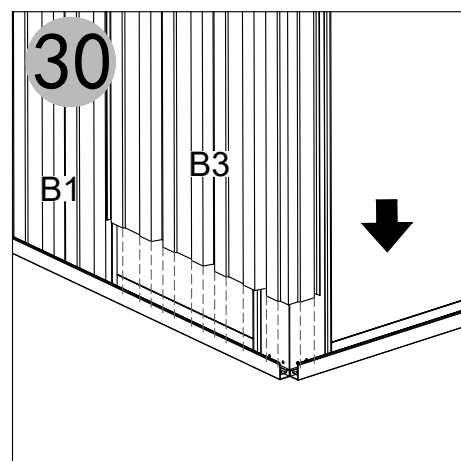
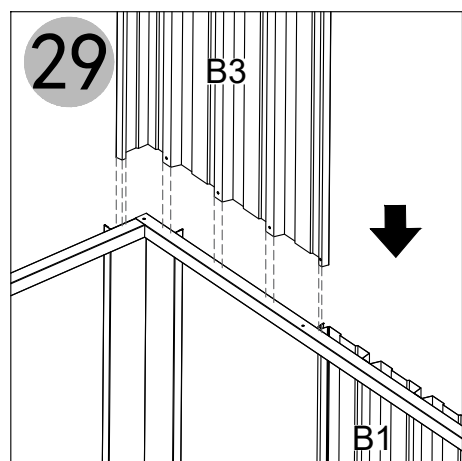
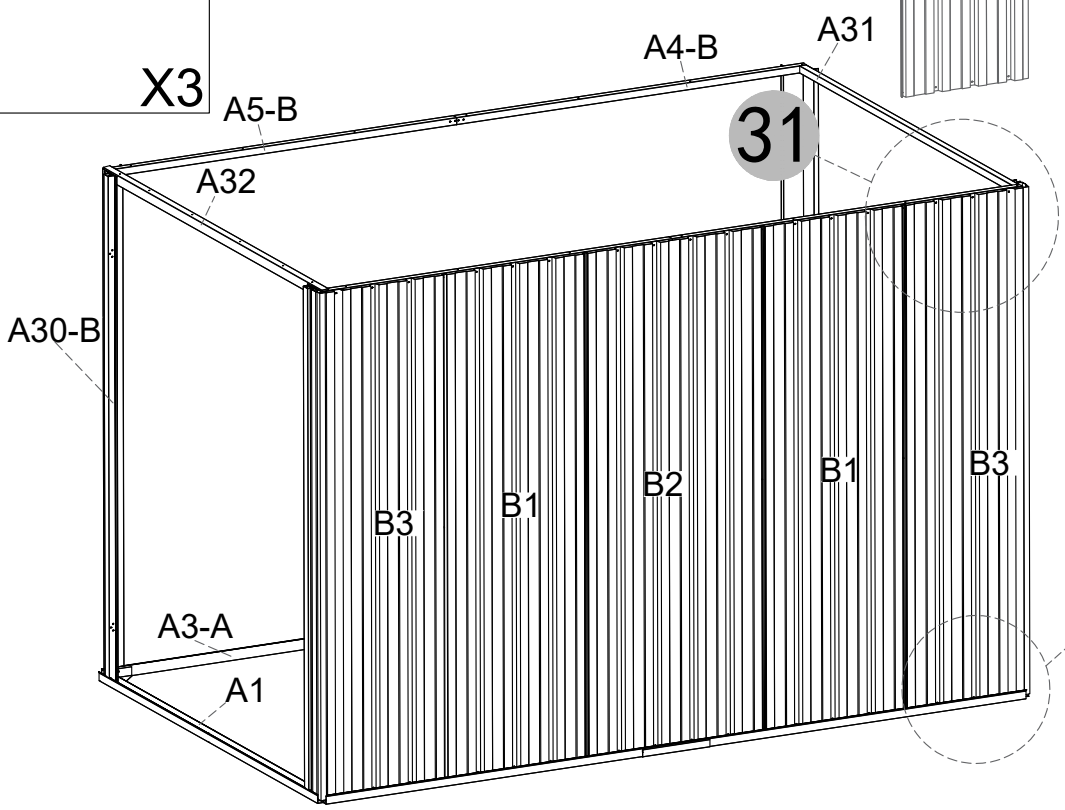
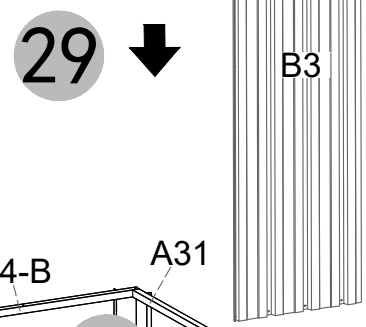


| | |
|--|--|
| <p>H1</p>  <p>M4. 2X13</p> <p>X3</p> | <p>H3</p>  <p>M4. 2X13</p> <p>X1</p> |
|--|--|

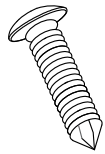
H7



X3



H3



M4. 2X13

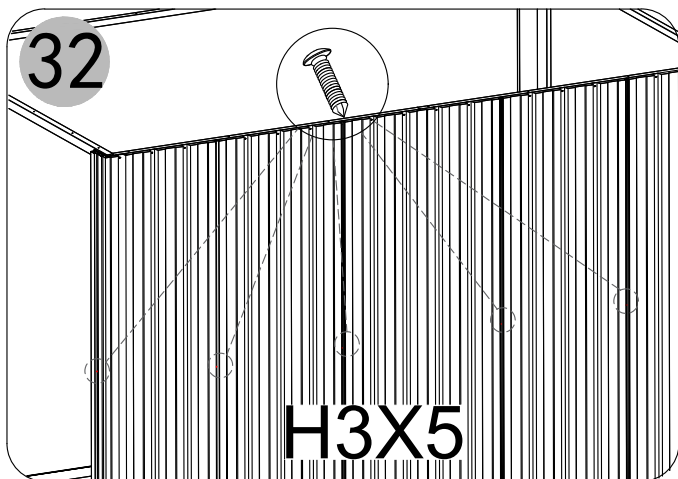
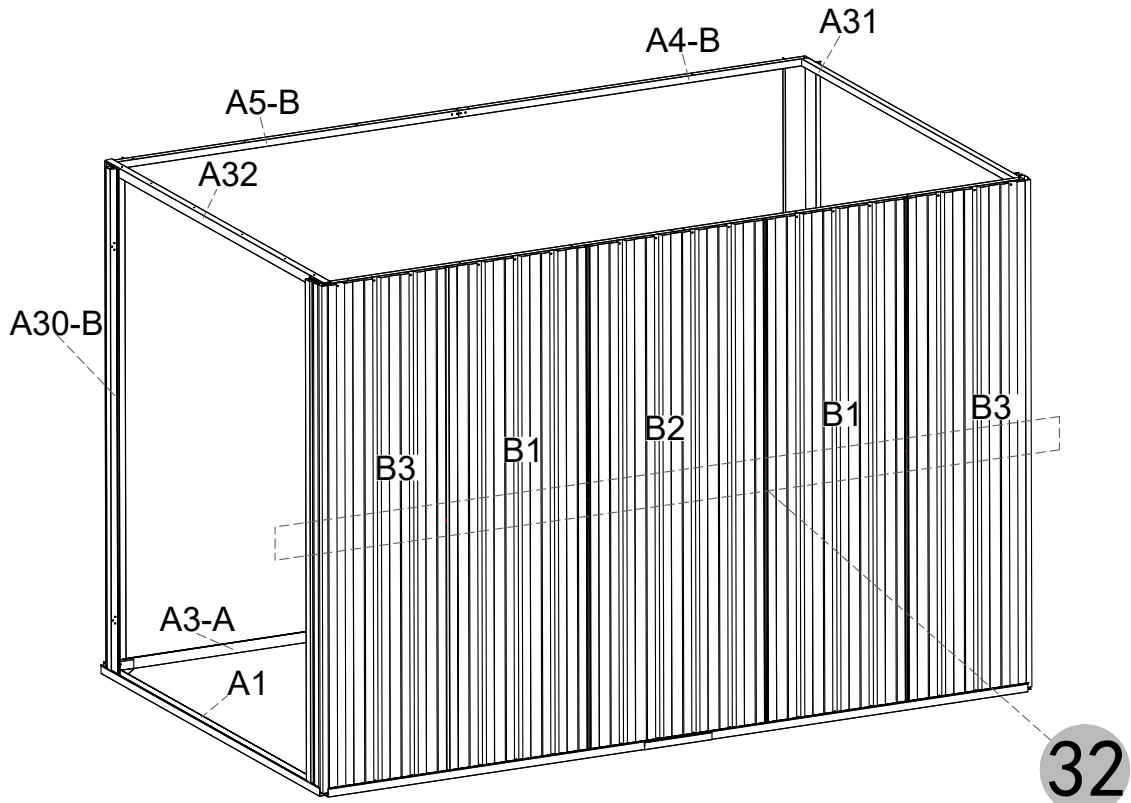


X5

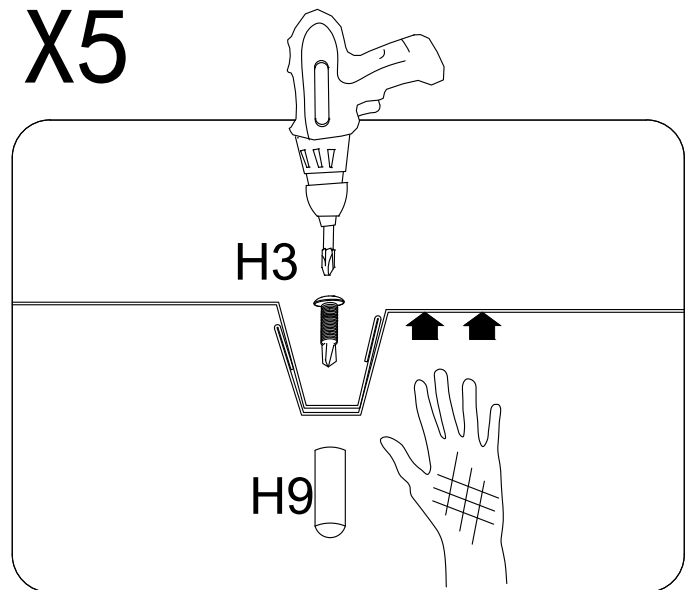
H9



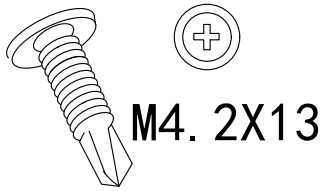
X5



X5



H1



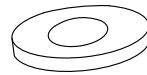
X16

H3



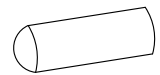
X5

H7

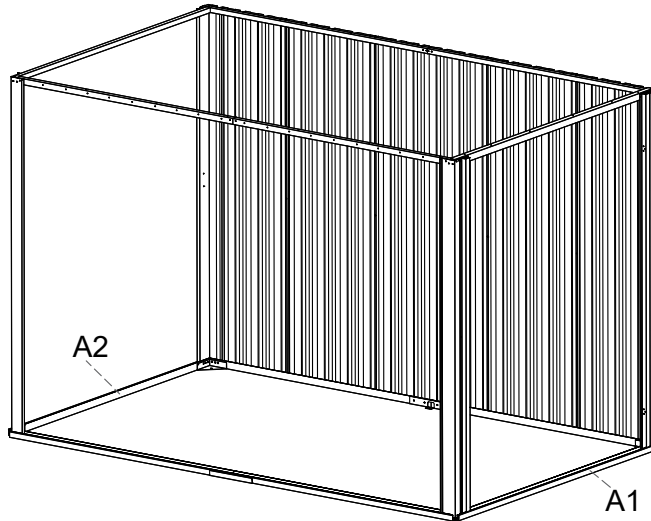
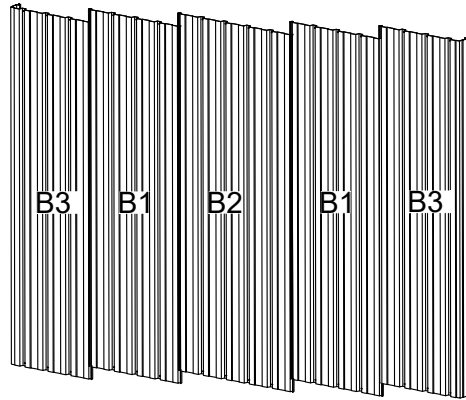


X16

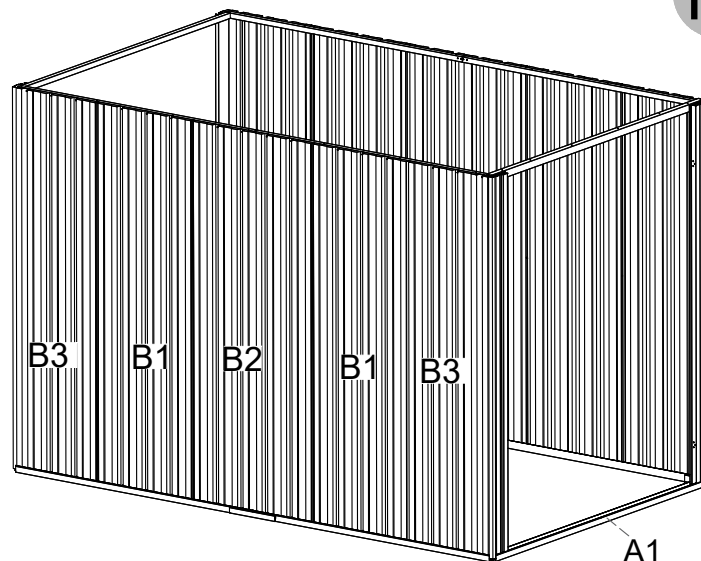
H9

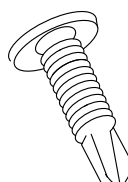
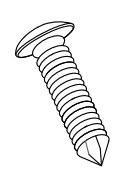


X5

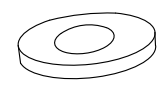


17 → 32



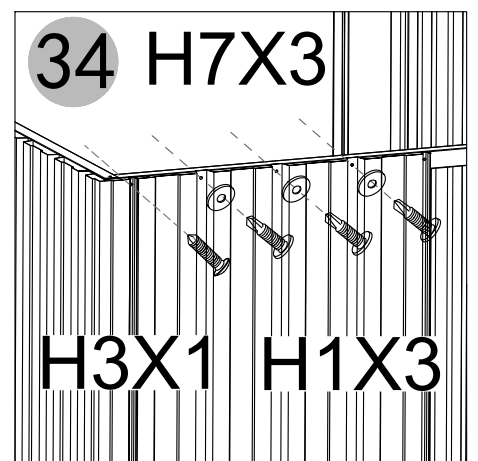
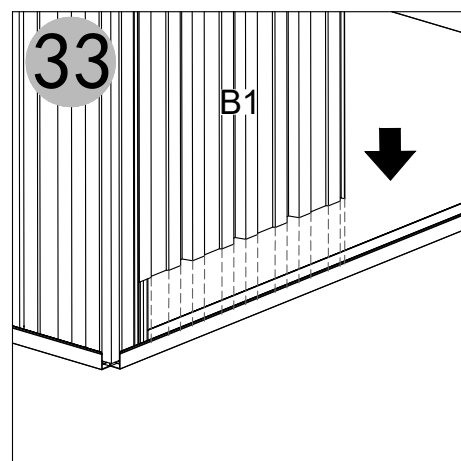
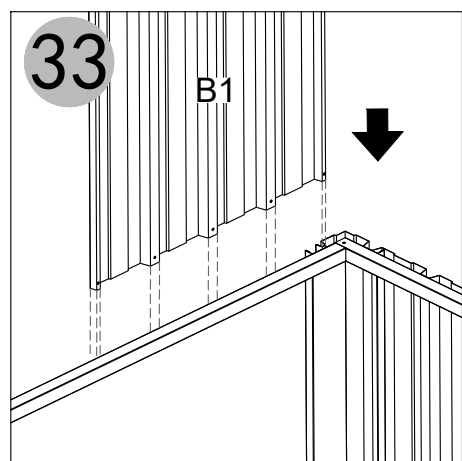
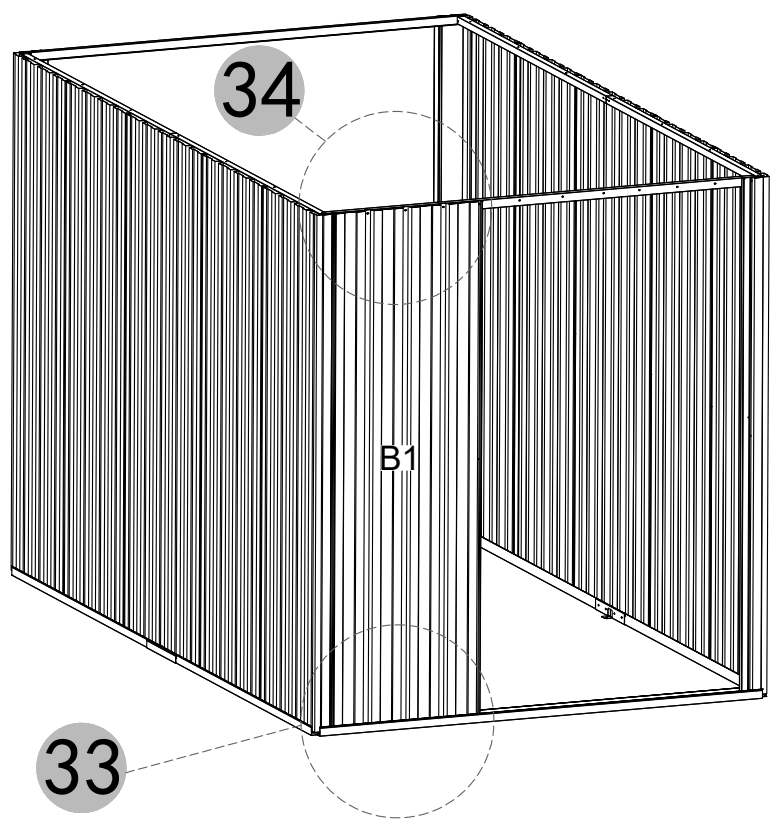
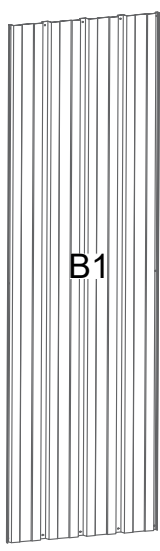
| | |
|--|--|
| <p>H1</p>  <p>M4. 2X13</p> <p>X3</p> | <p>H3</p>  <p>M4. 2X13</p> <p>X1</p> |
|--|--|

H7

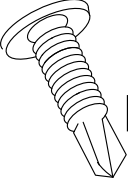



X3

33 ↓



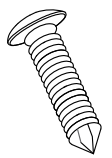

H1

M4. 2X13

X3


H3

M4. 2X13

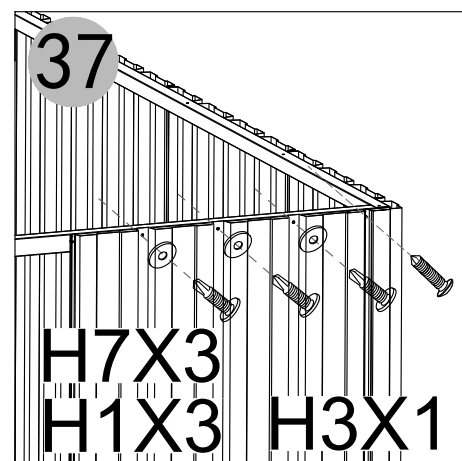
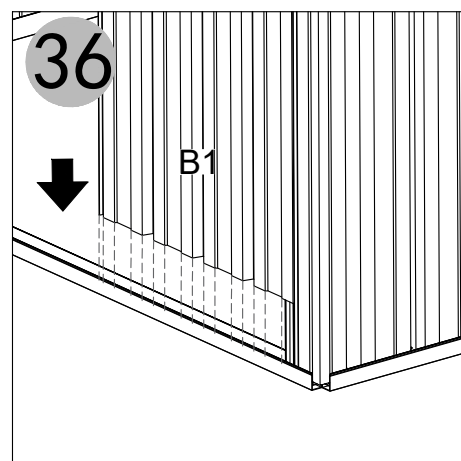
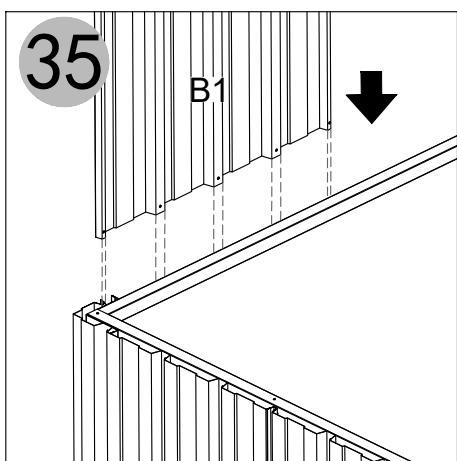
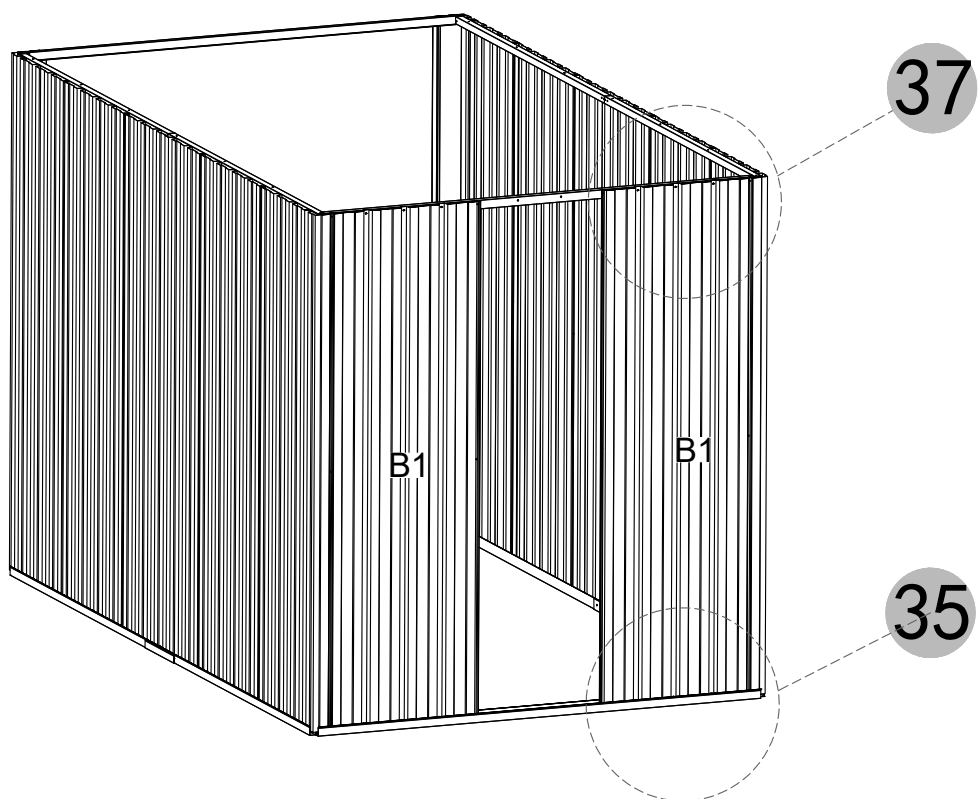
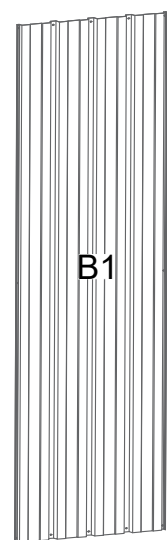
X1

H7

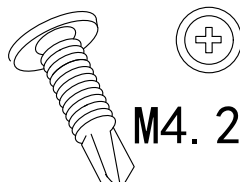


X3

35 ↓




H1



M4. 2X13

X2

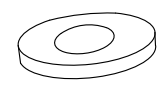
H3



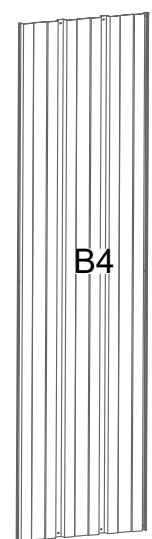
M4. 2X13

X2

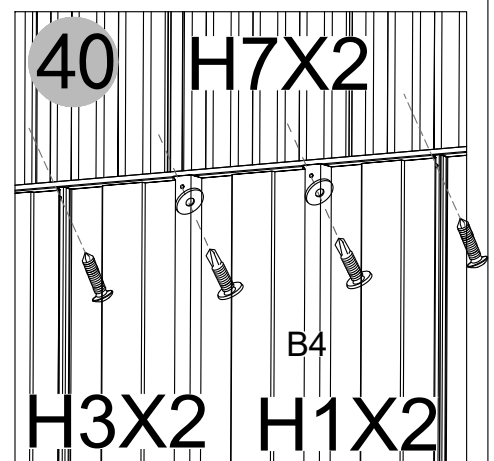
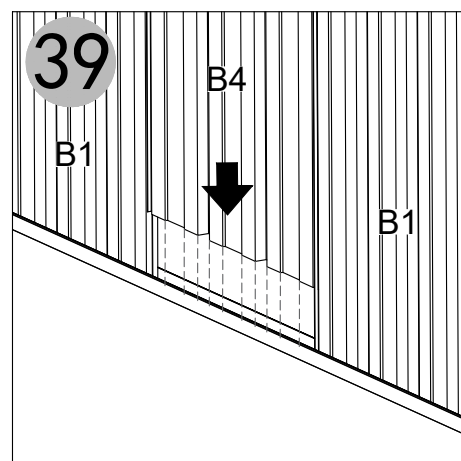
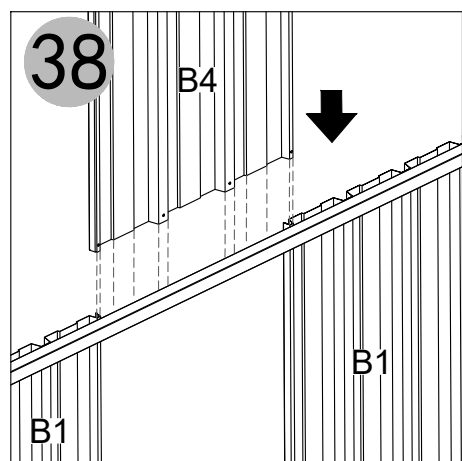
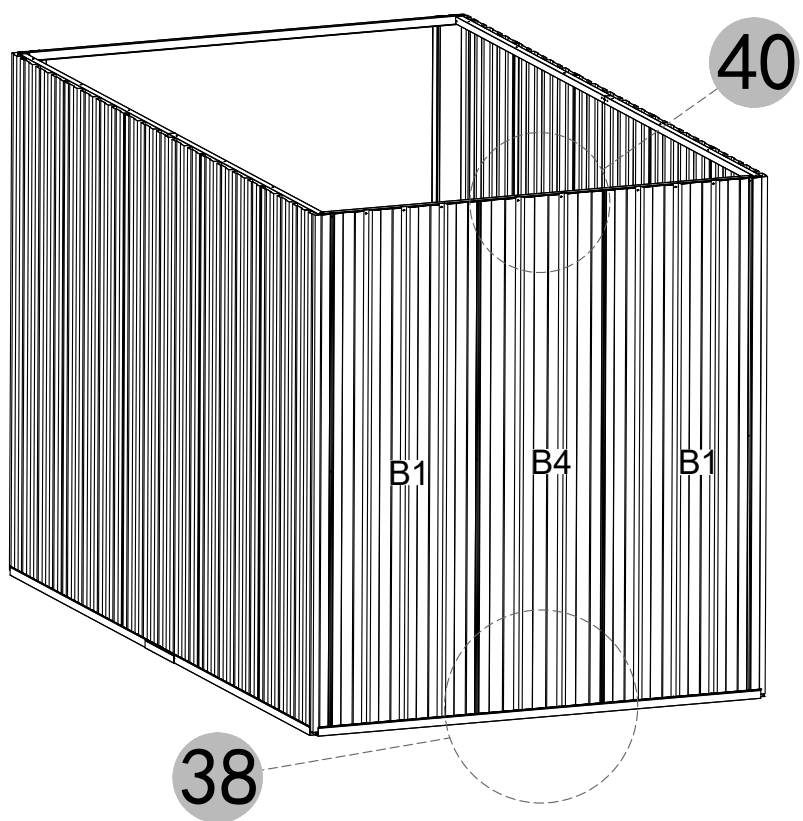
H7



X2

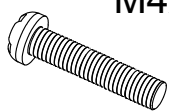


38 ↓



H4

M4X10



X4

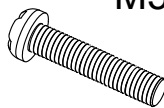
H10



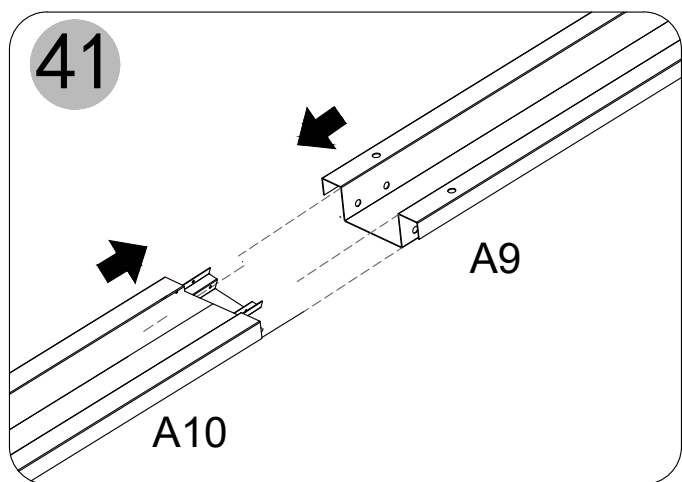
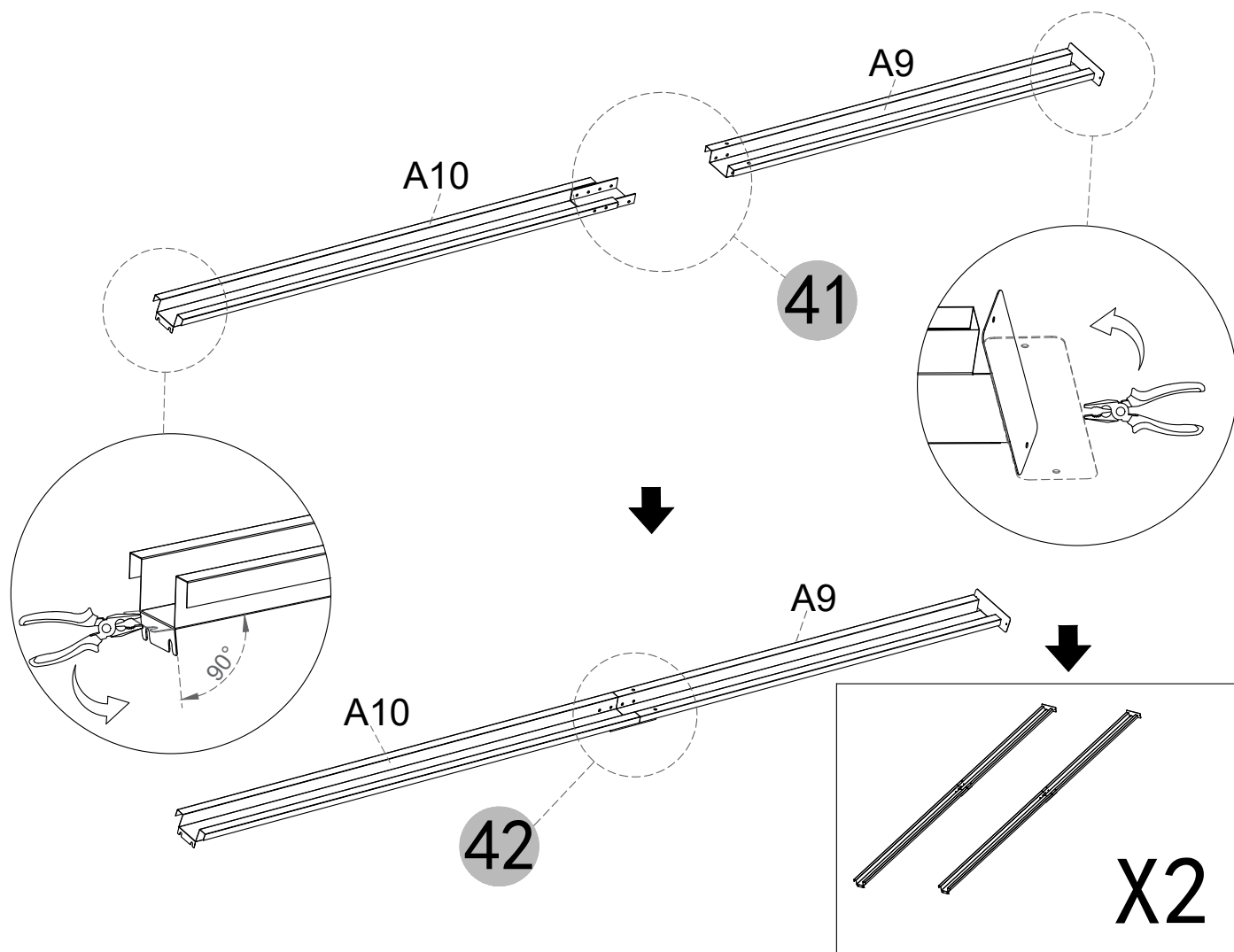
X8

H11

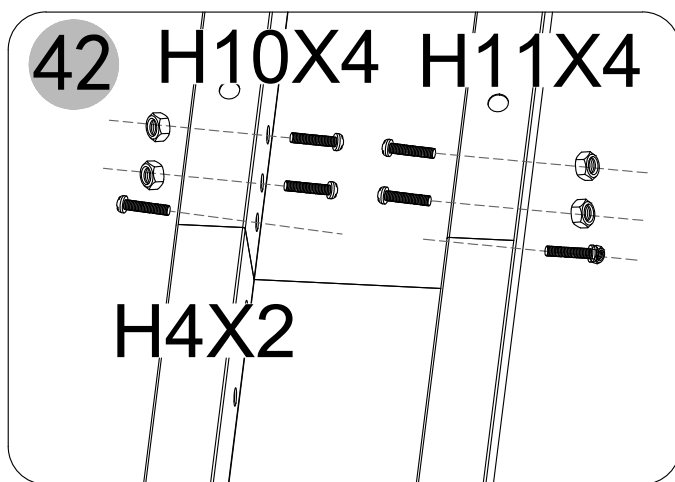
M5X10



X8



X2



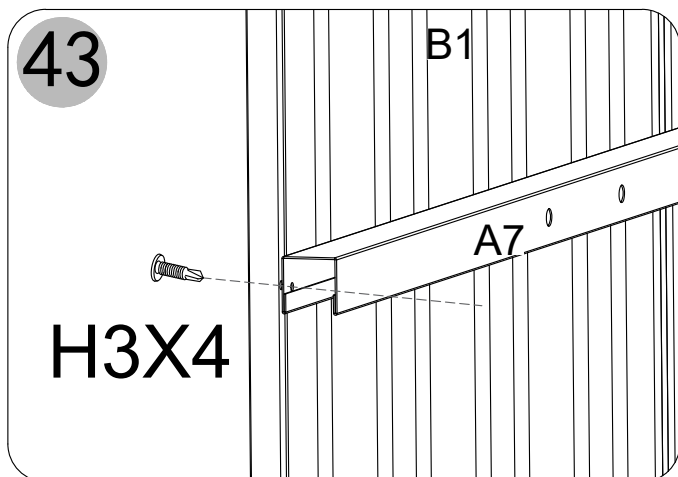
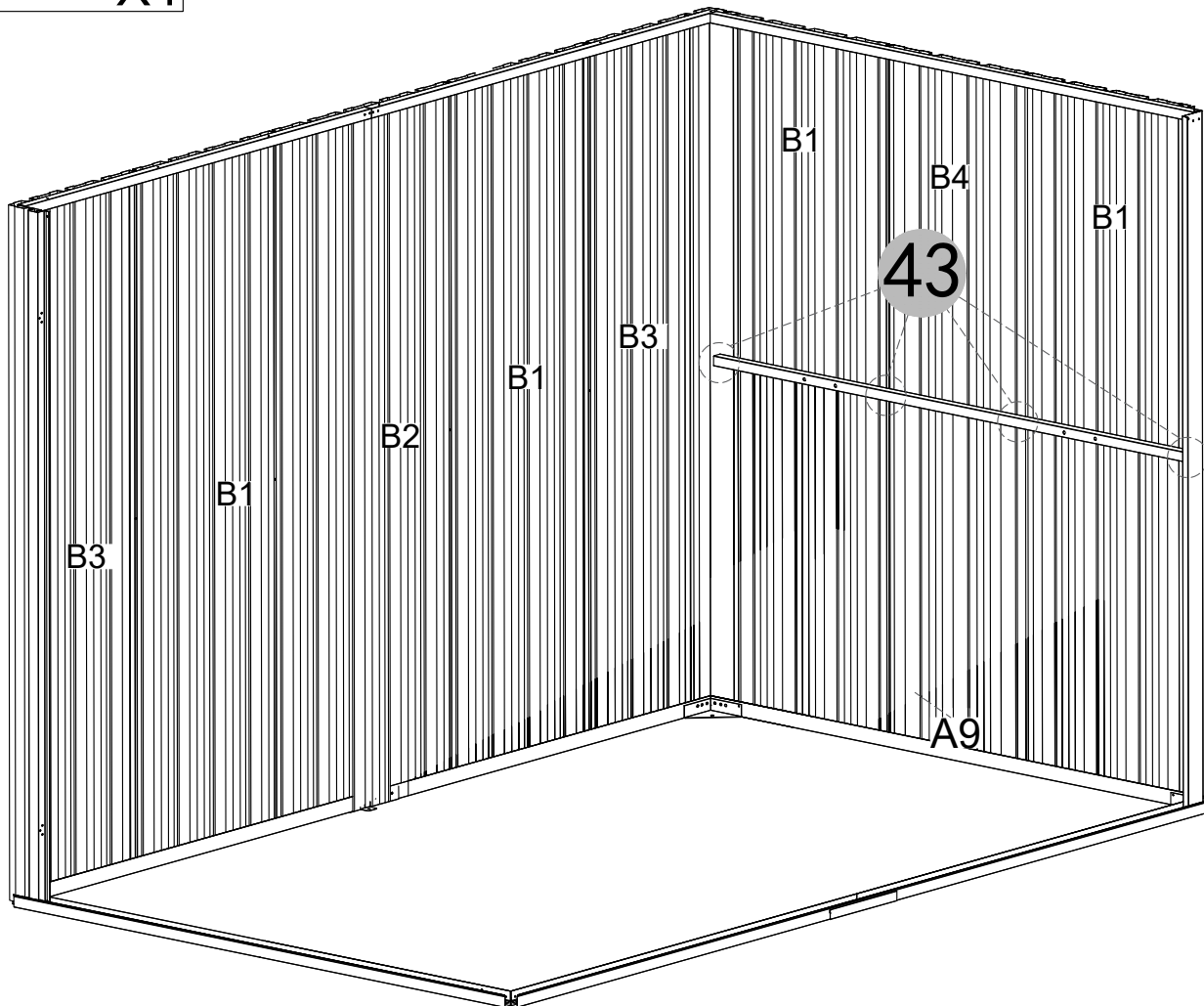
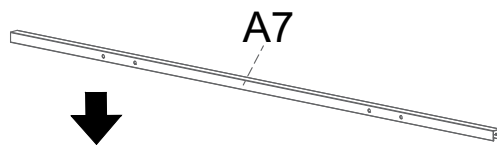
X2

H3



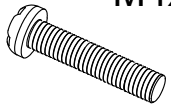
M4. 2X13

X4

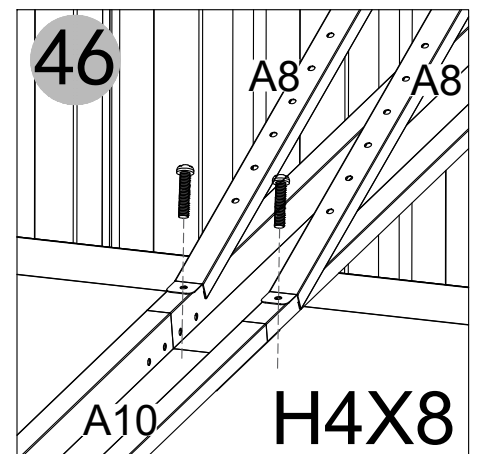
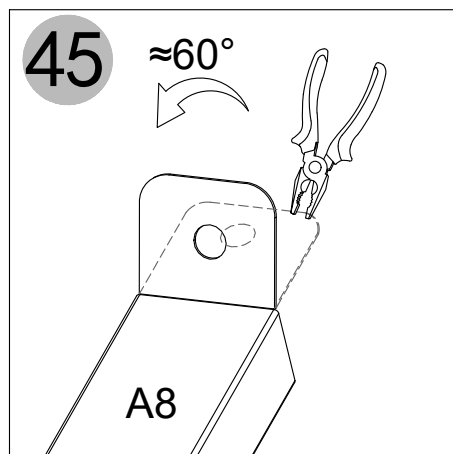
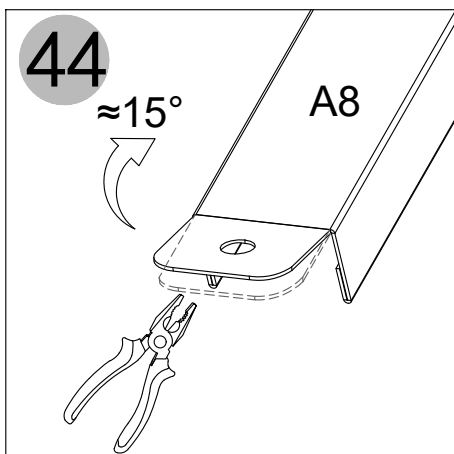
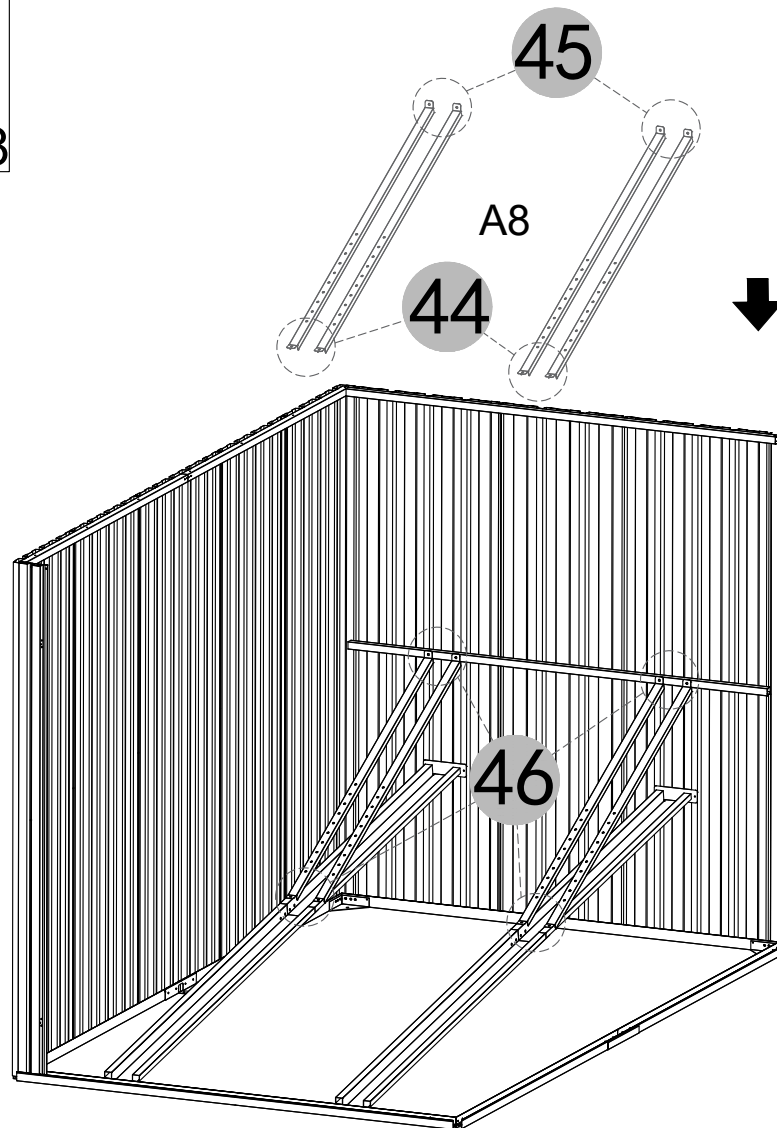


H4

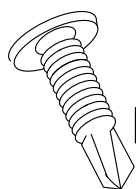
M4X10



X8

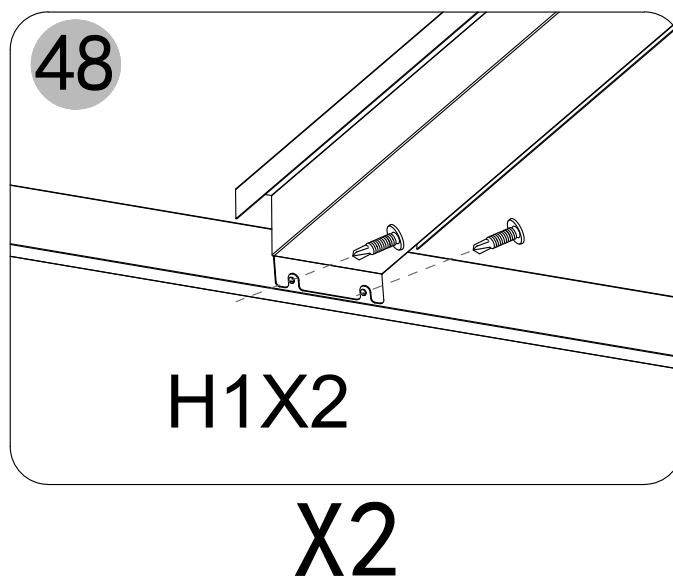
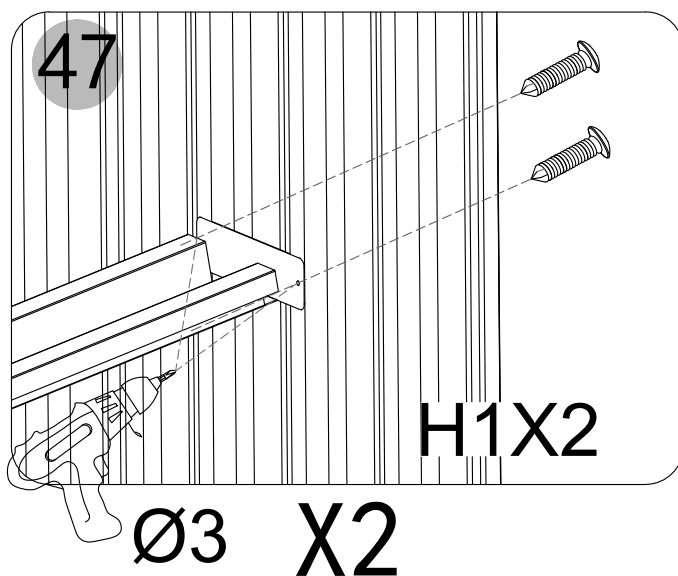
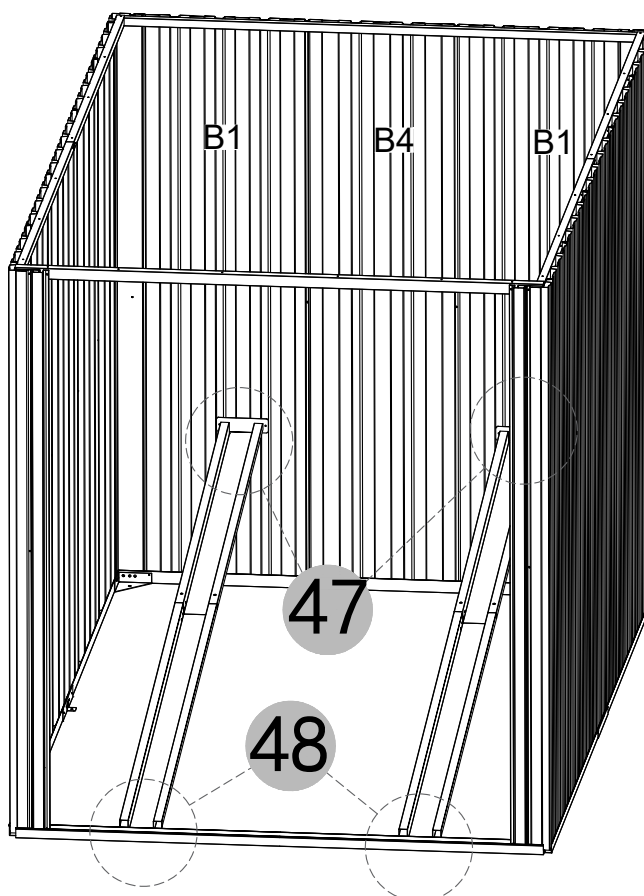
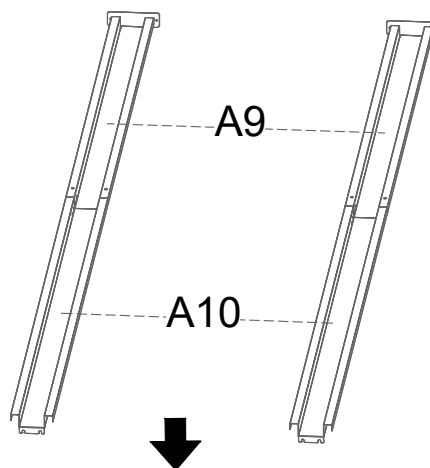


H1



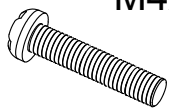
M4. 2X13

X8



H4

M4X10



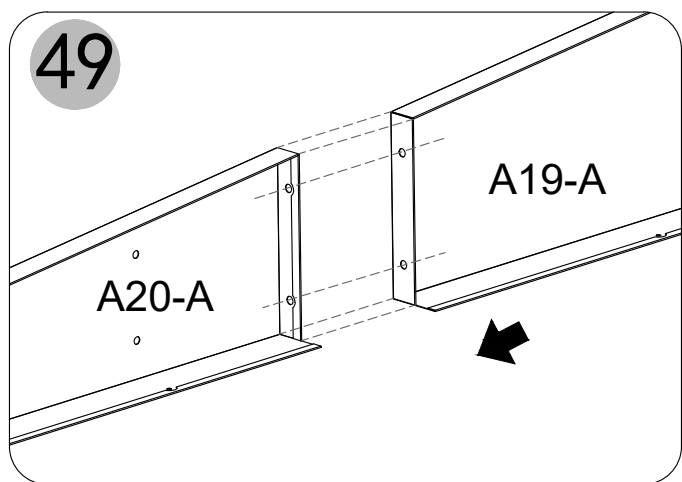
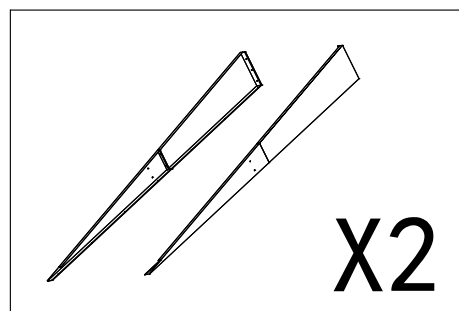
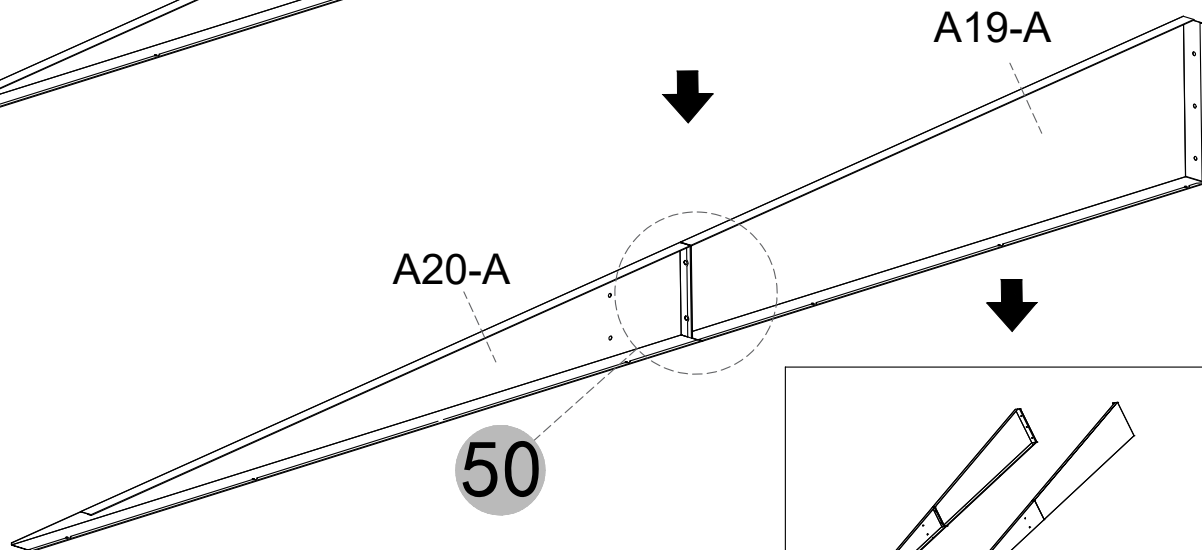
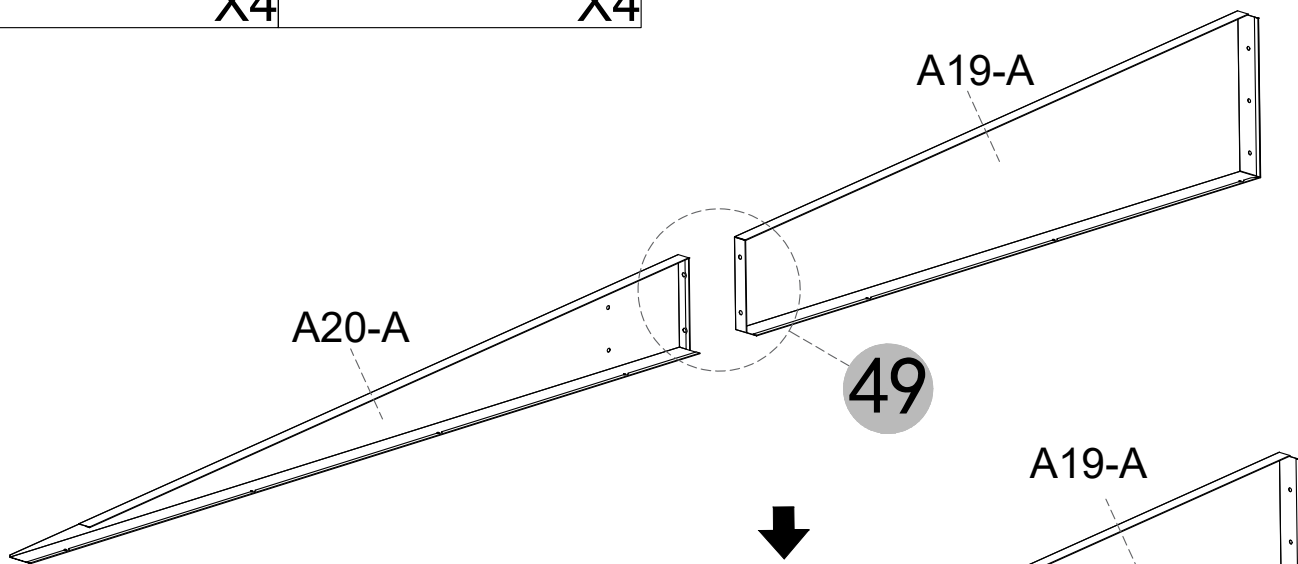
X4

H5

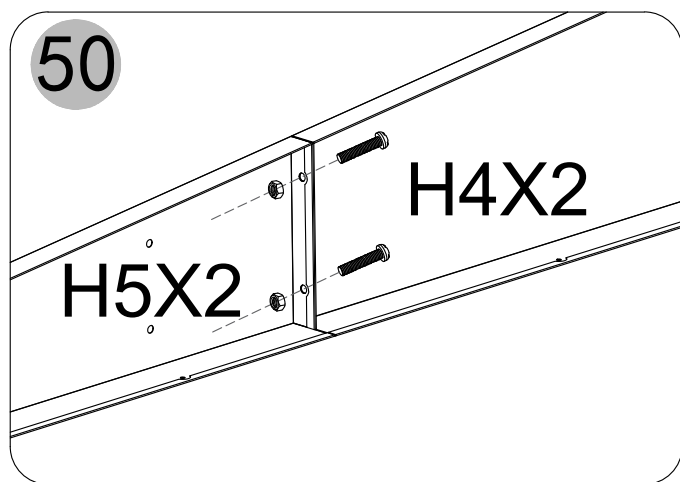
M4



X4



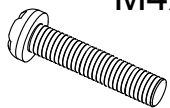
X2



X2

H4

M4X10



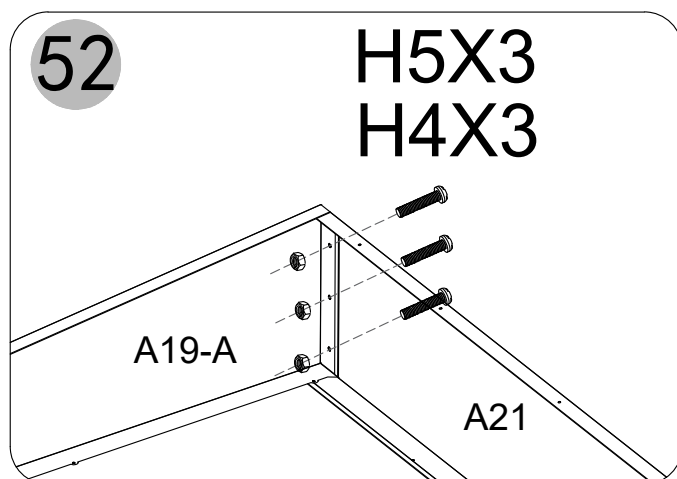
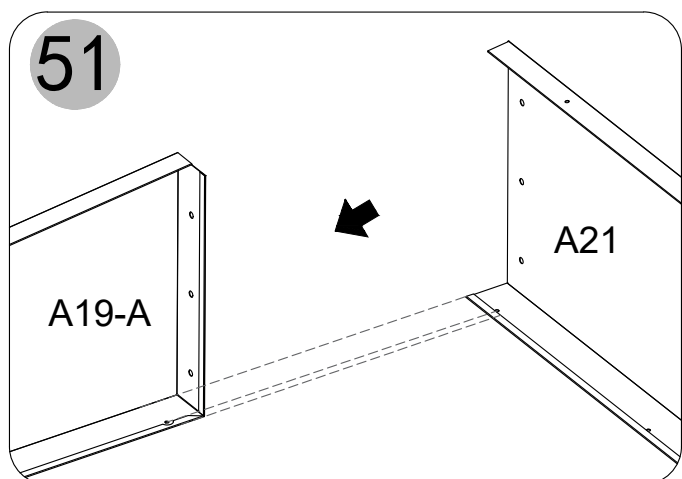
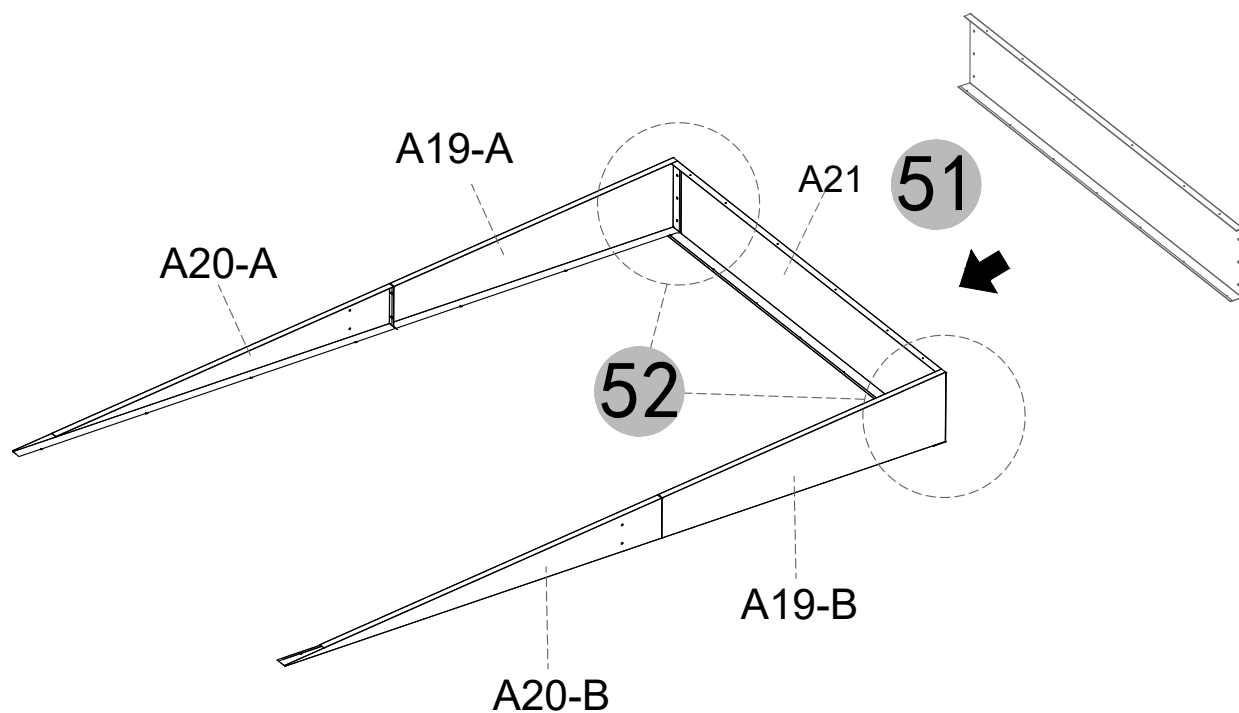
X6

H5



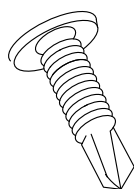
M4

X6



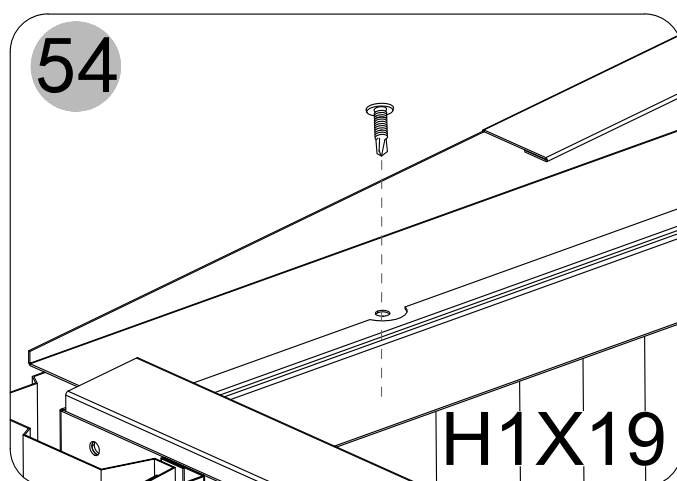
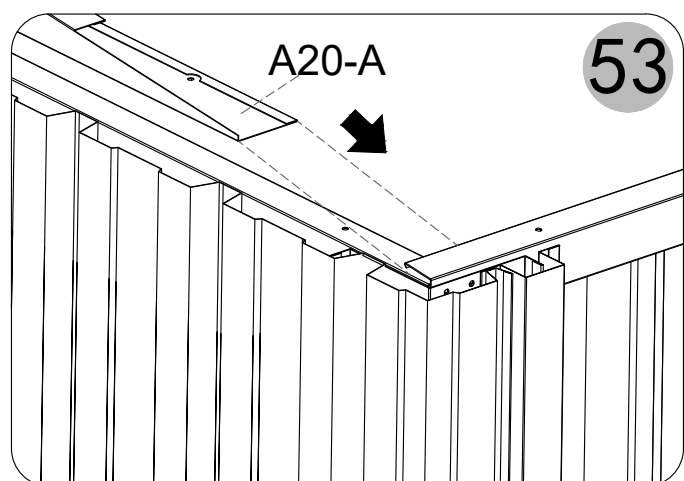
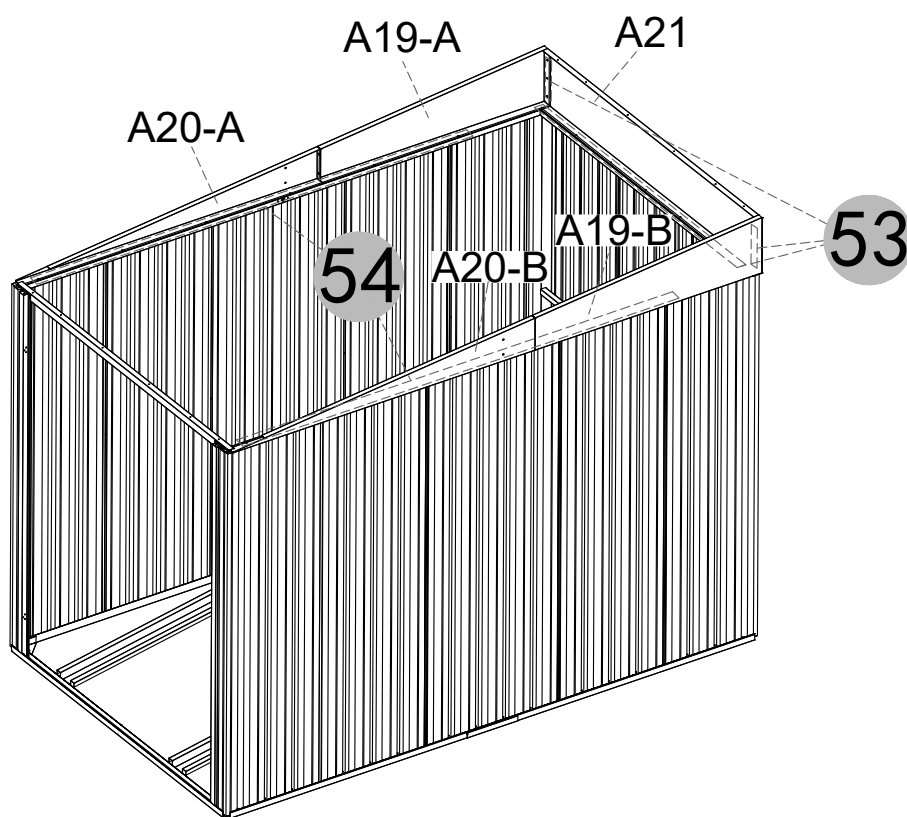
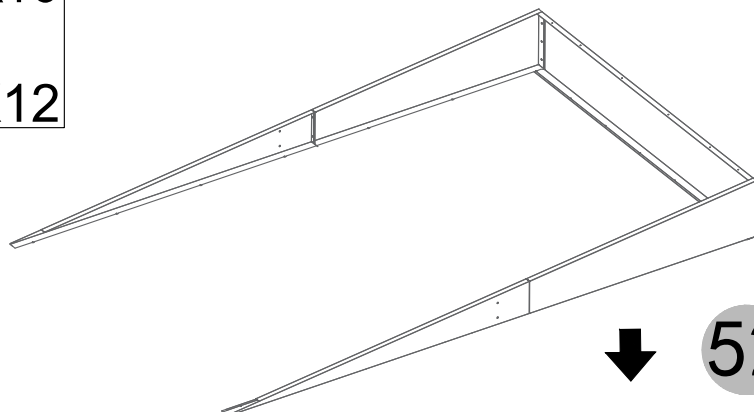
X2

H1



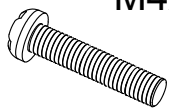
M4. 2X13

X12



H4

M4X10



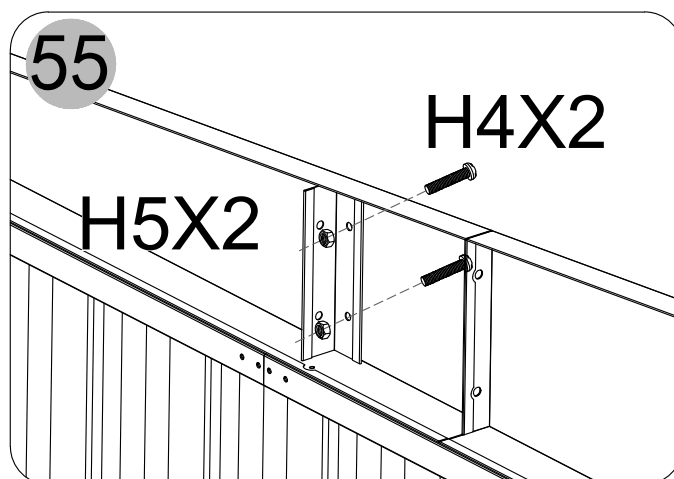
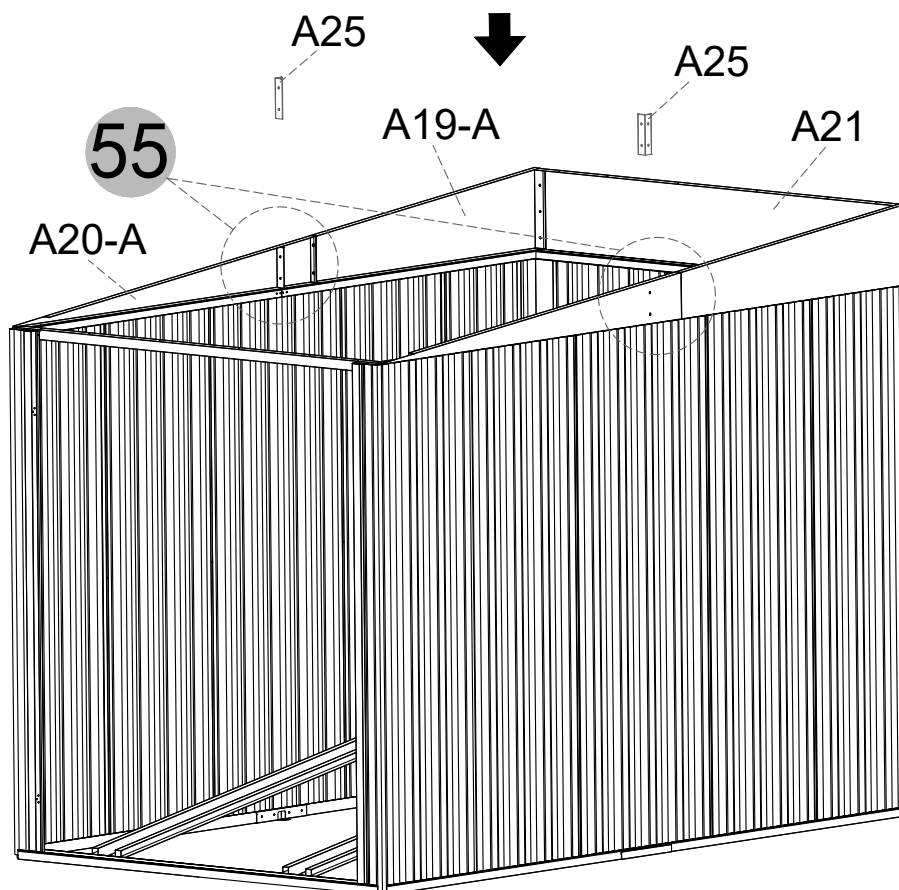
X4

H5



M4

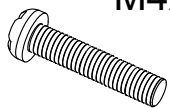
X4



X2

H4

M4X10



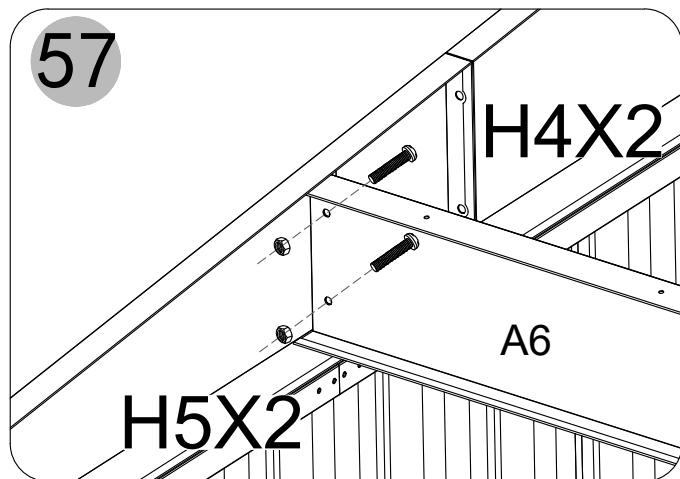
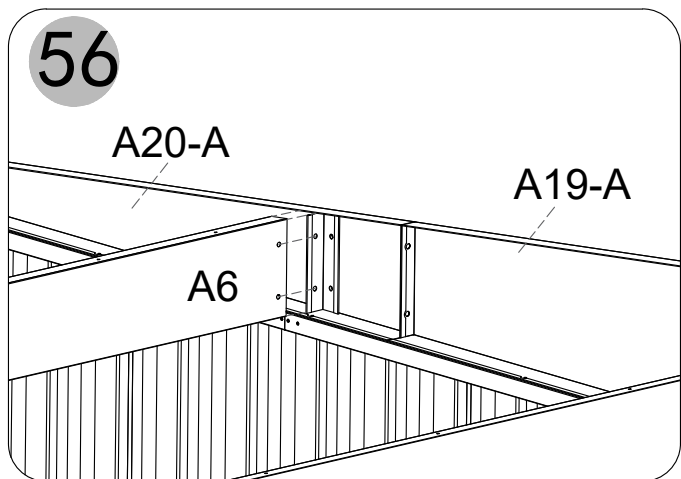
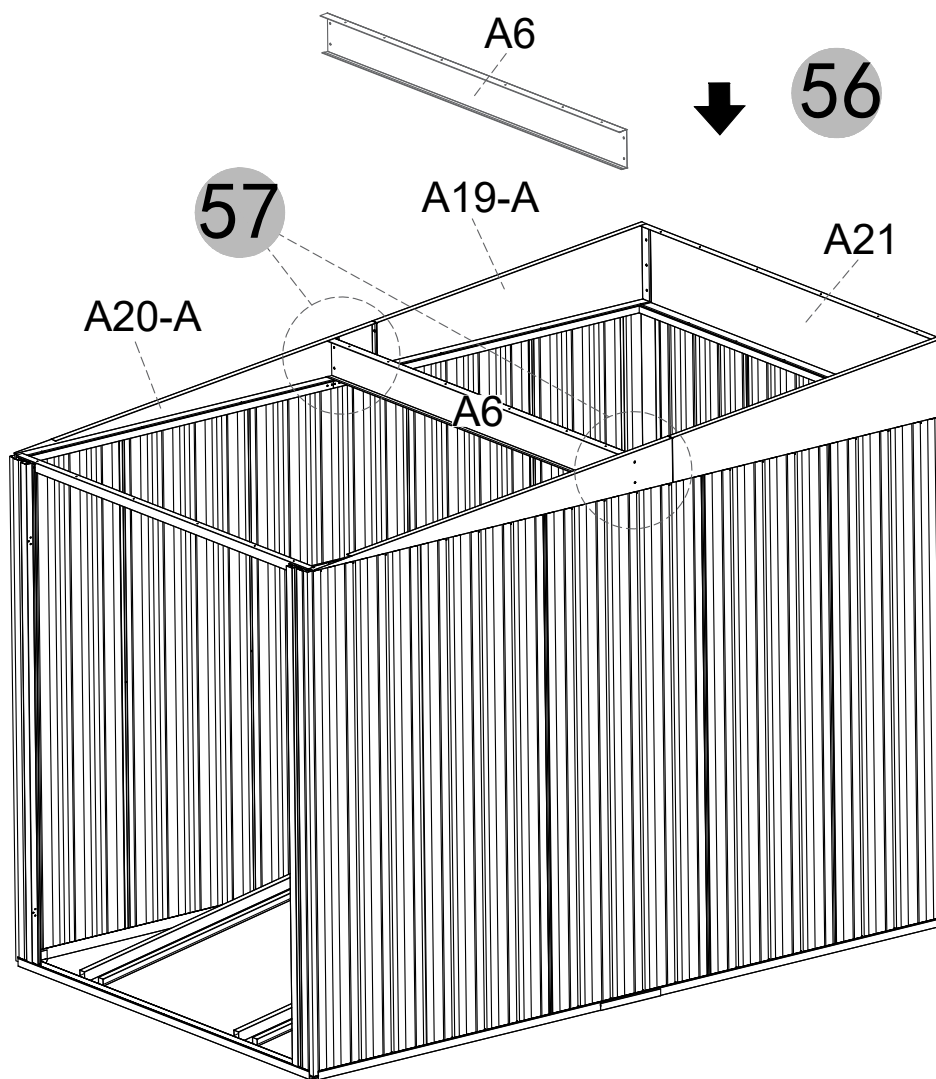
H5

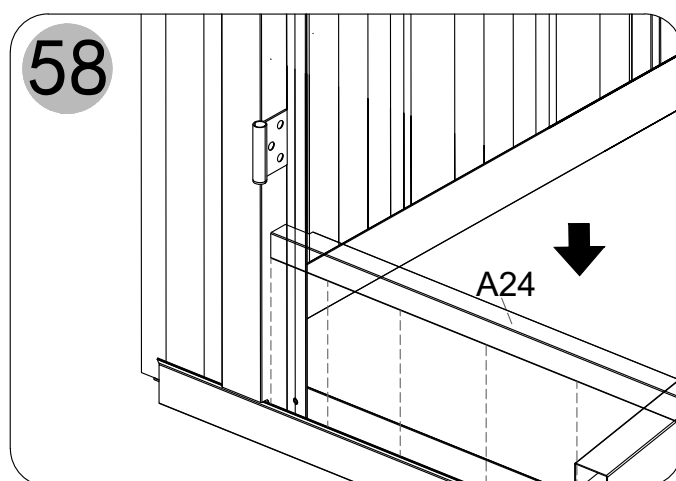
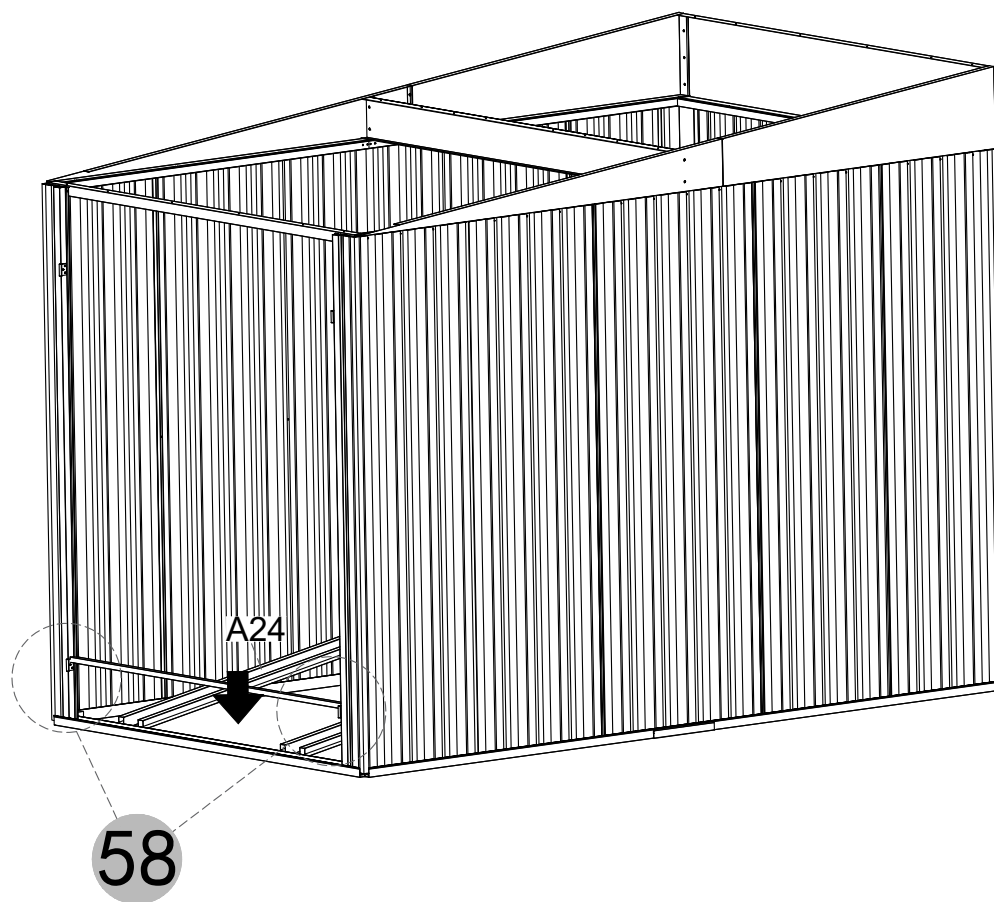


M4

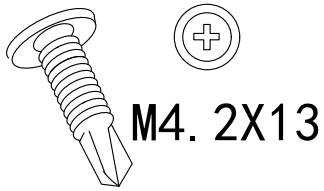
X4

X4





H1



X4

H3

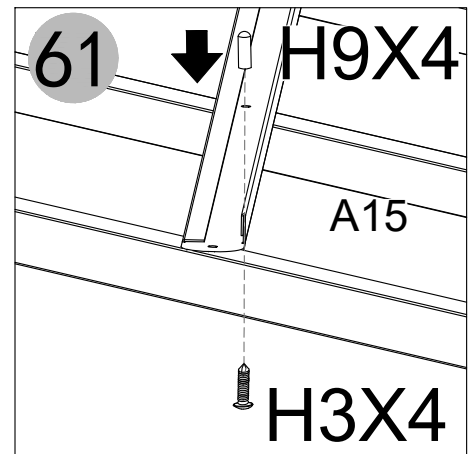
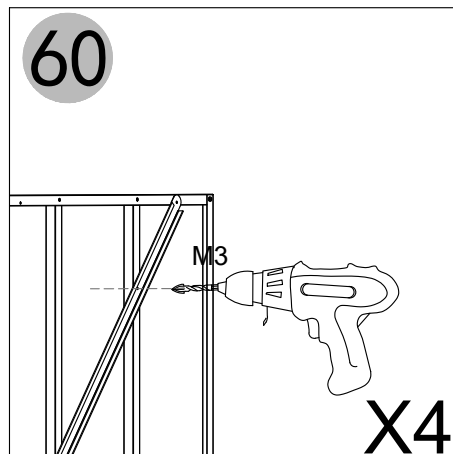
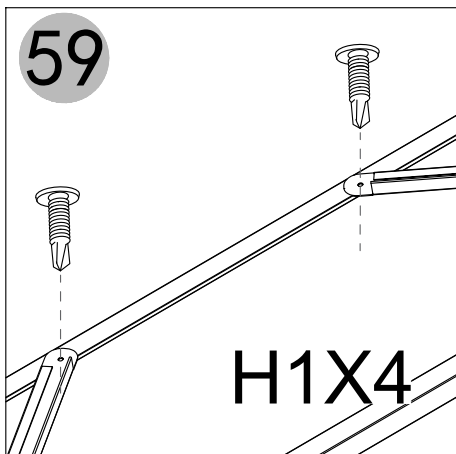
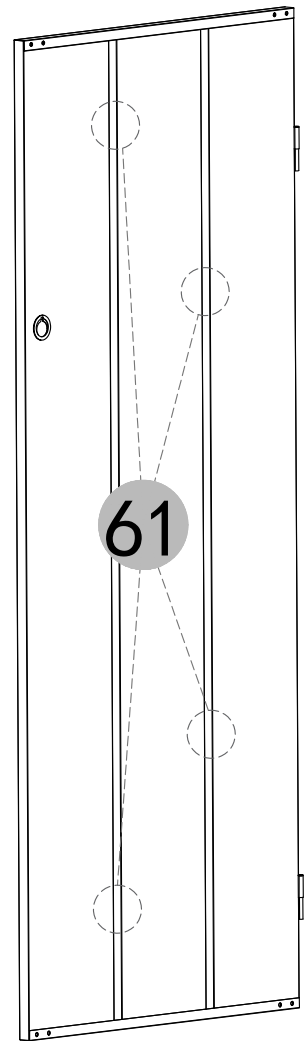
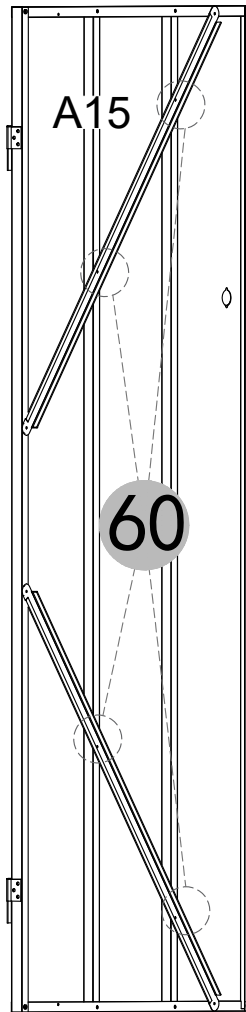
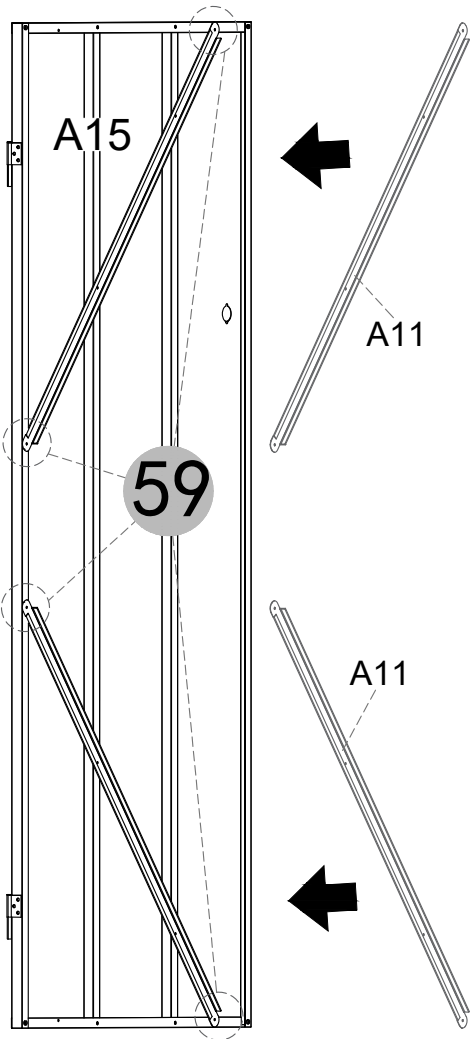


X4

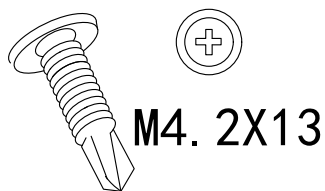
H9



X4



H1



X4

H3

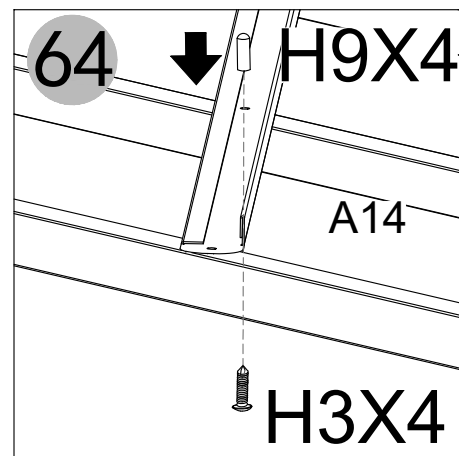
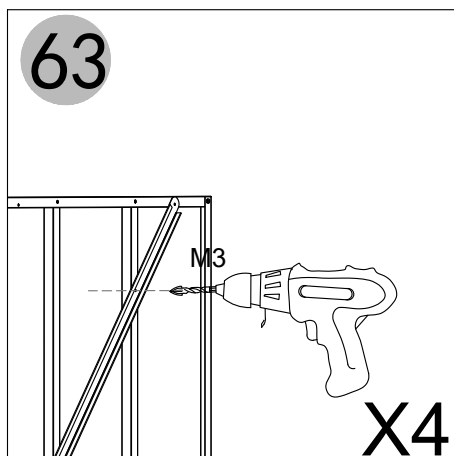
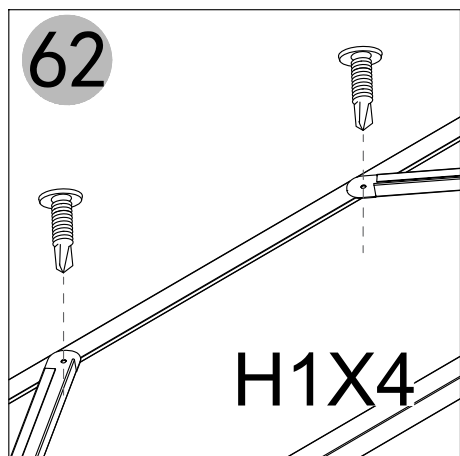
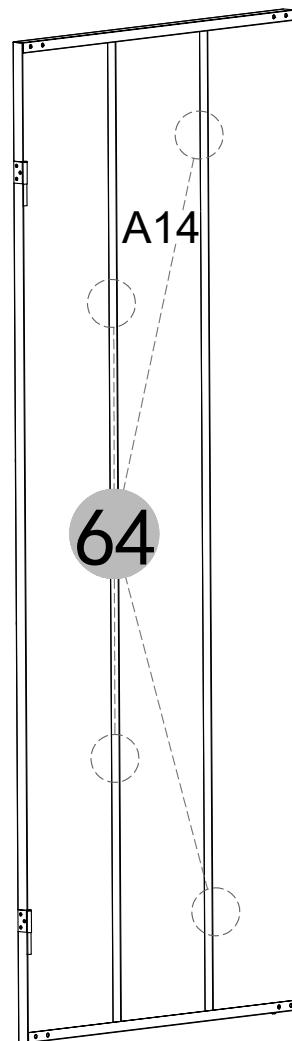
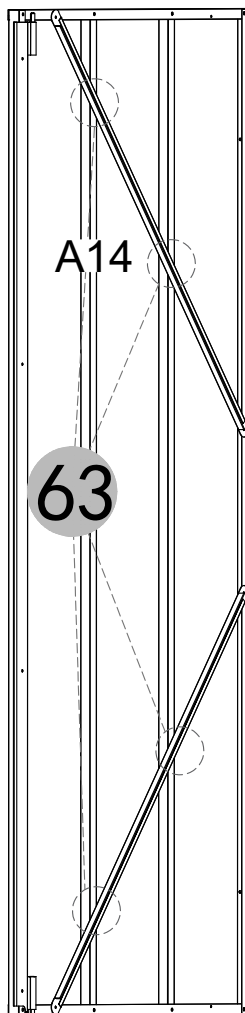
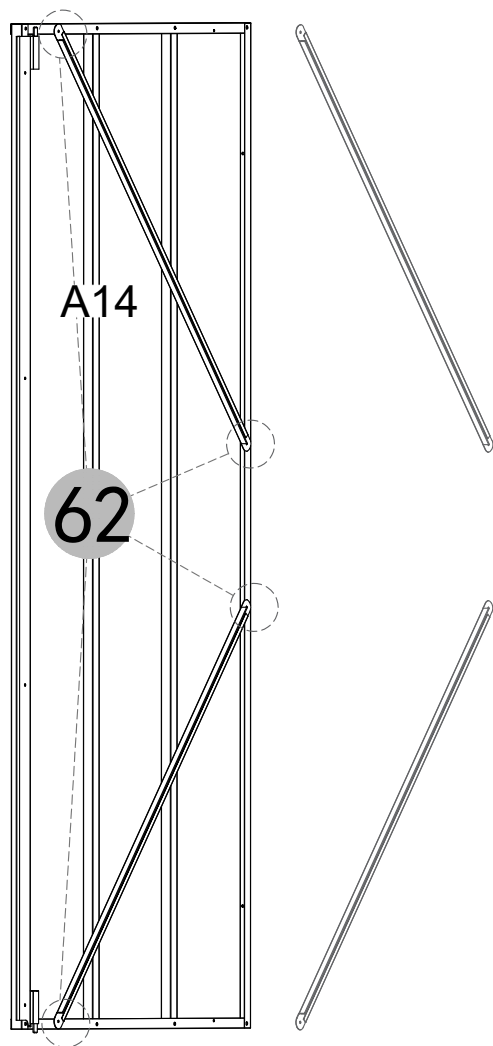


X4

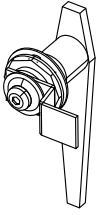
H9



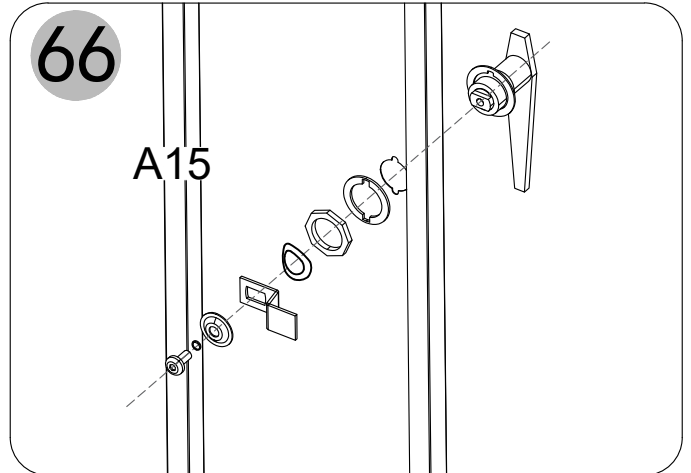
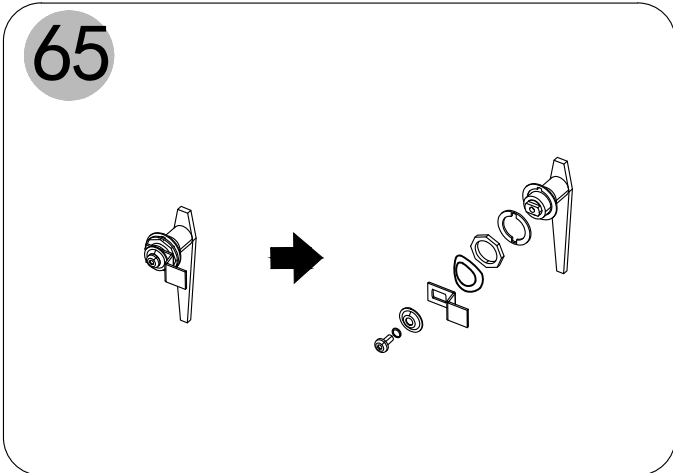
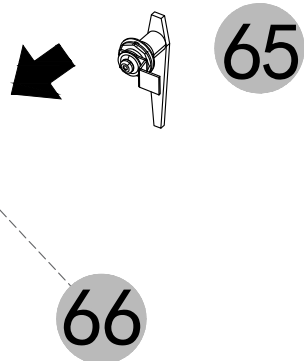
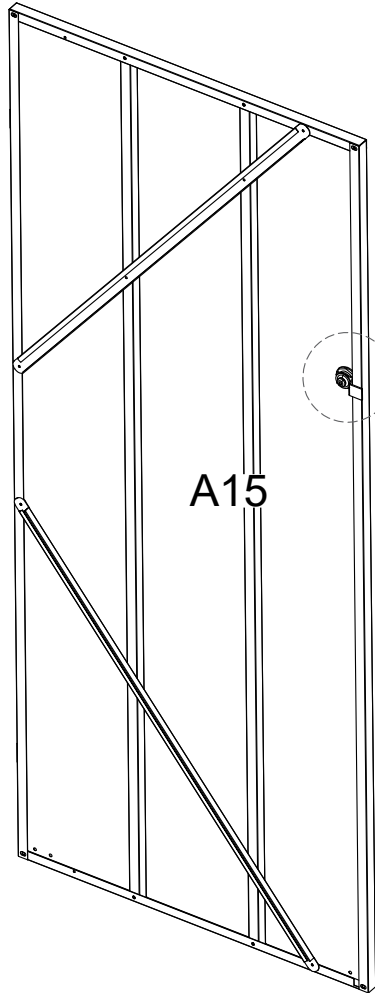
X4

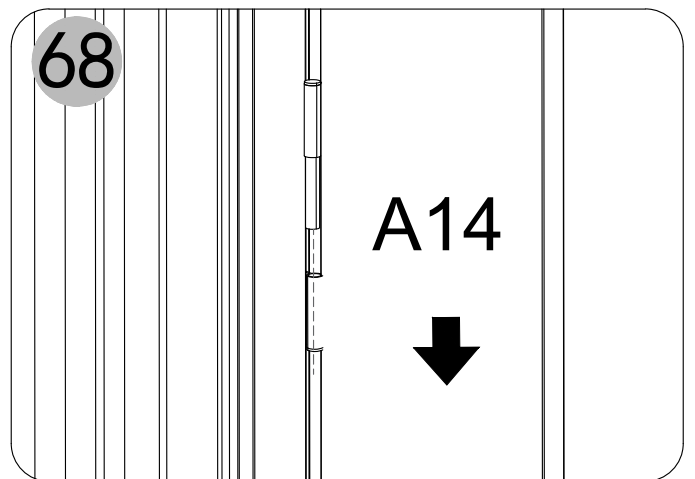
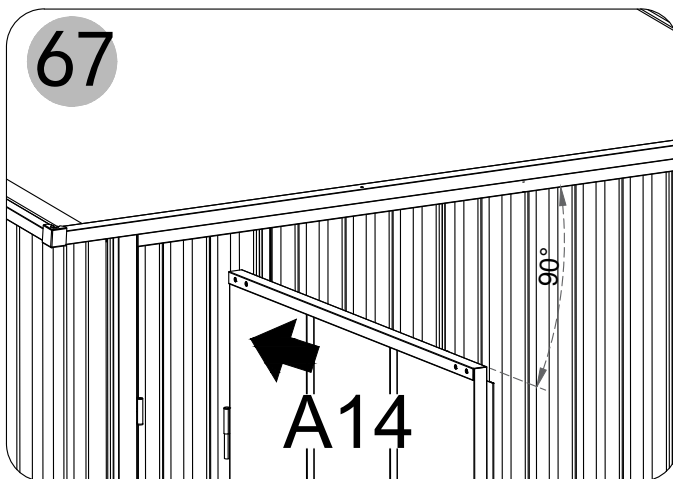
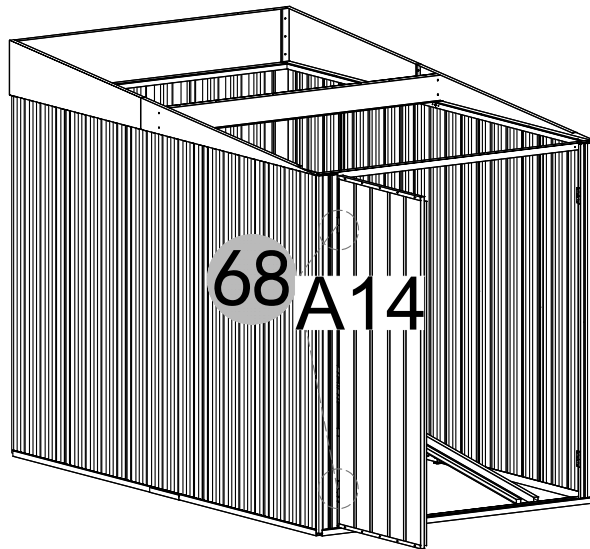
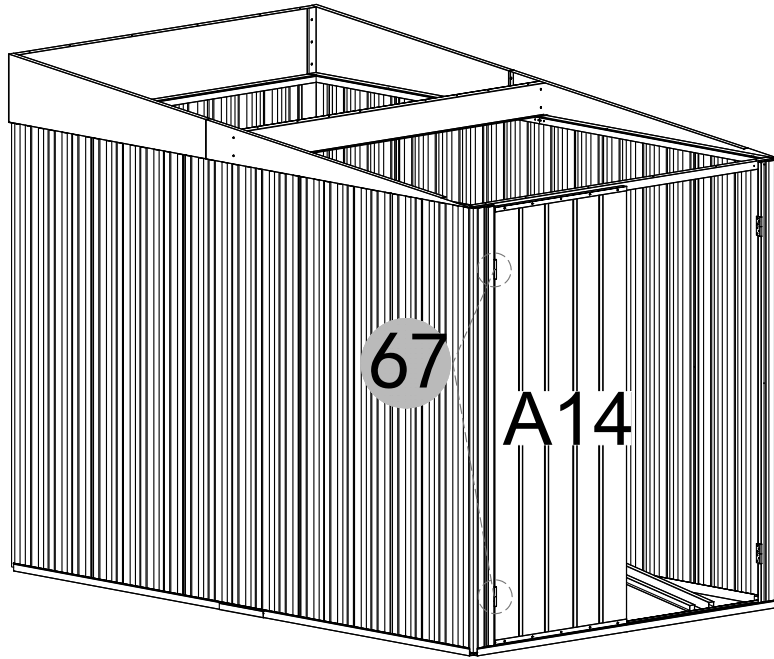


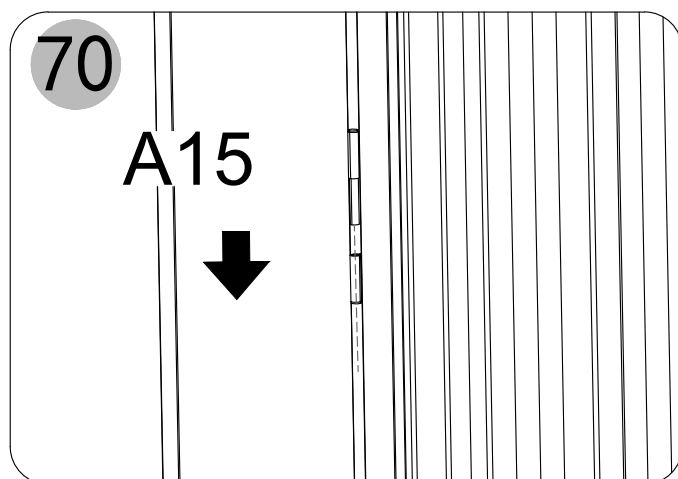
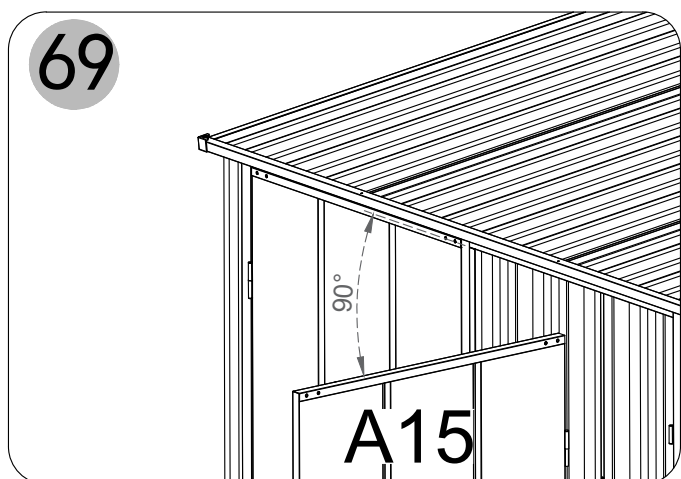
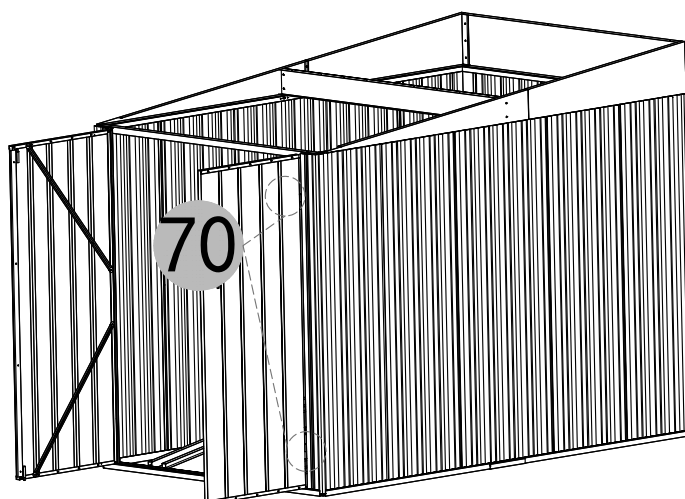
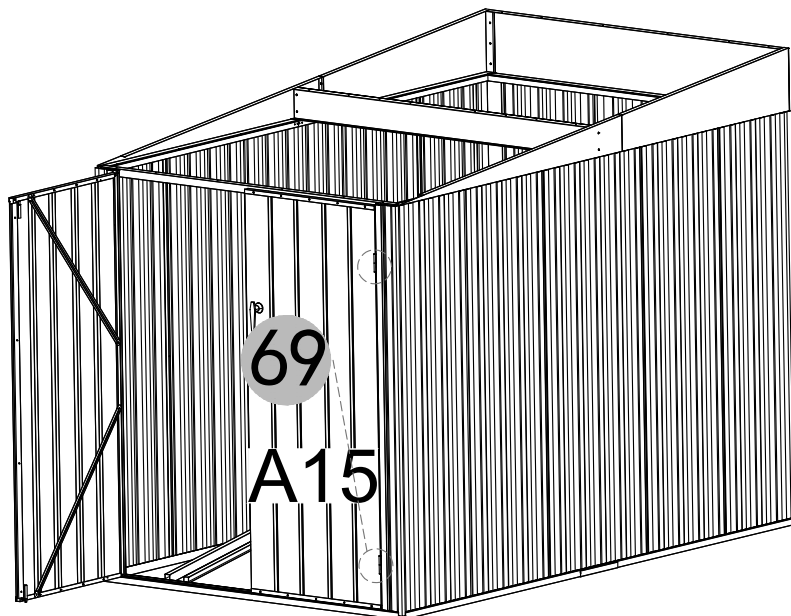
H15



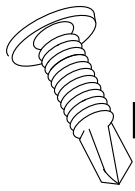
X1







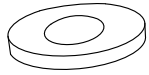
H1



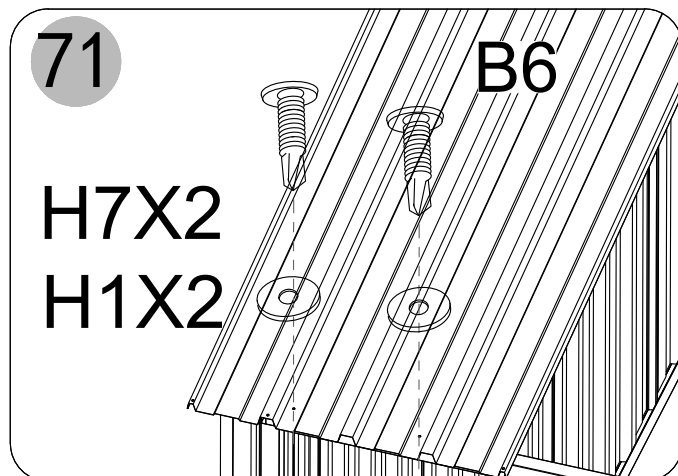
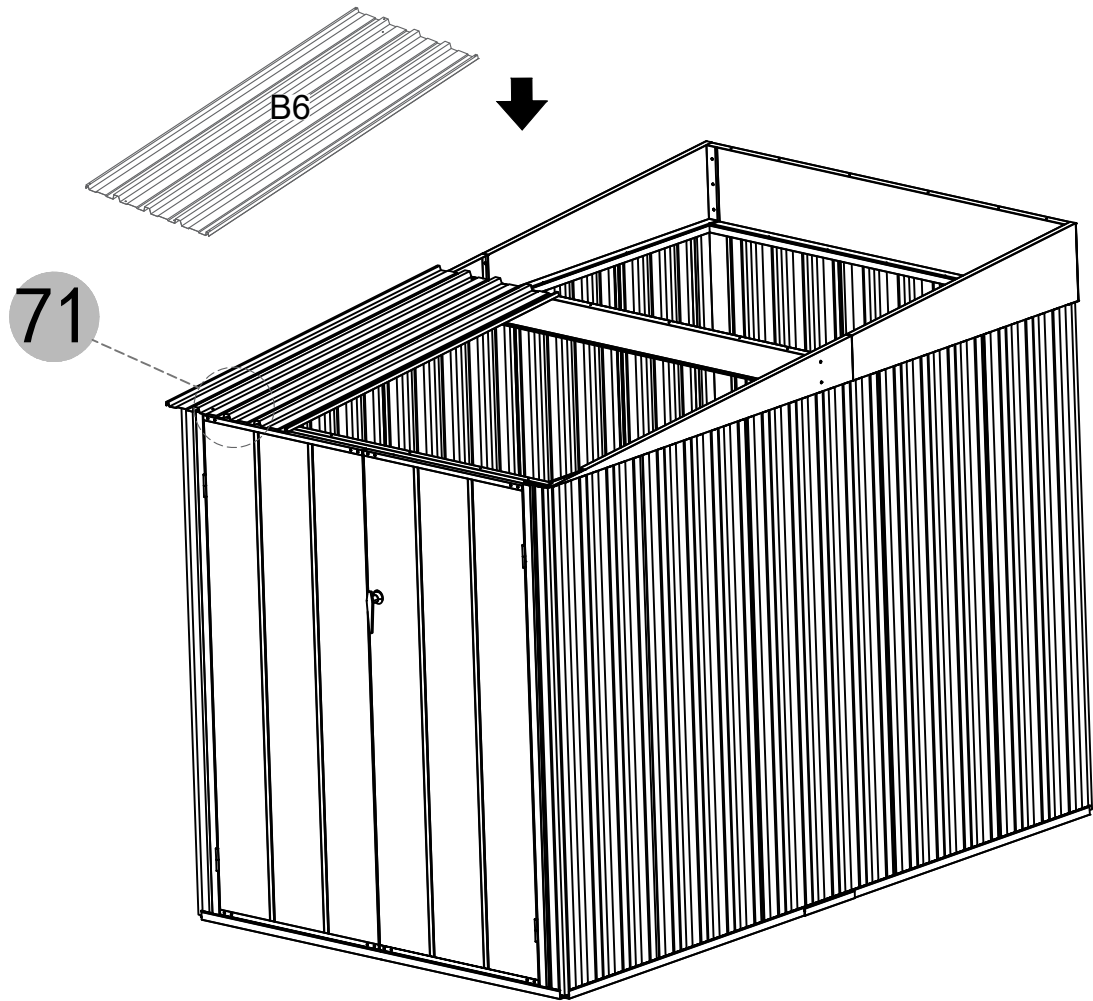
M4. 2X13

X2

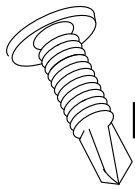
H7



X2



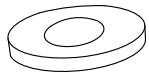
H1



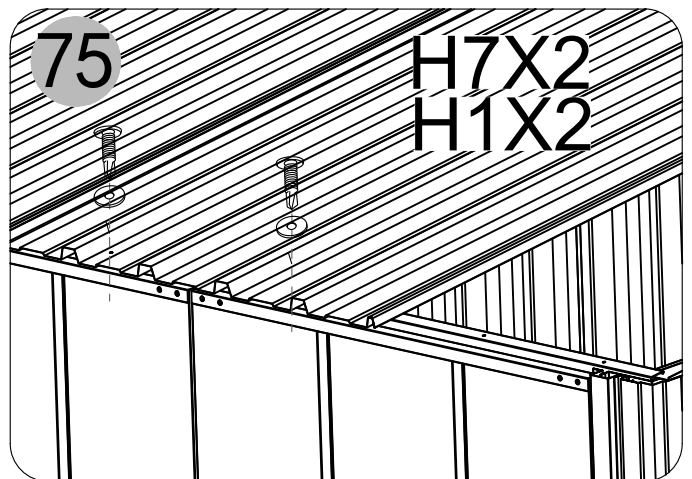
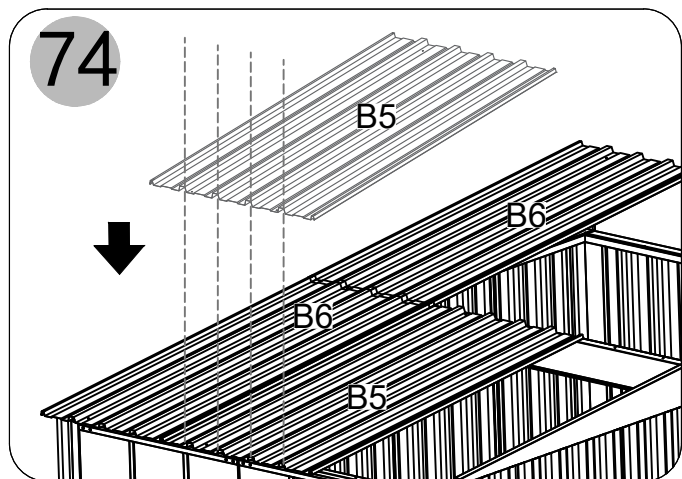
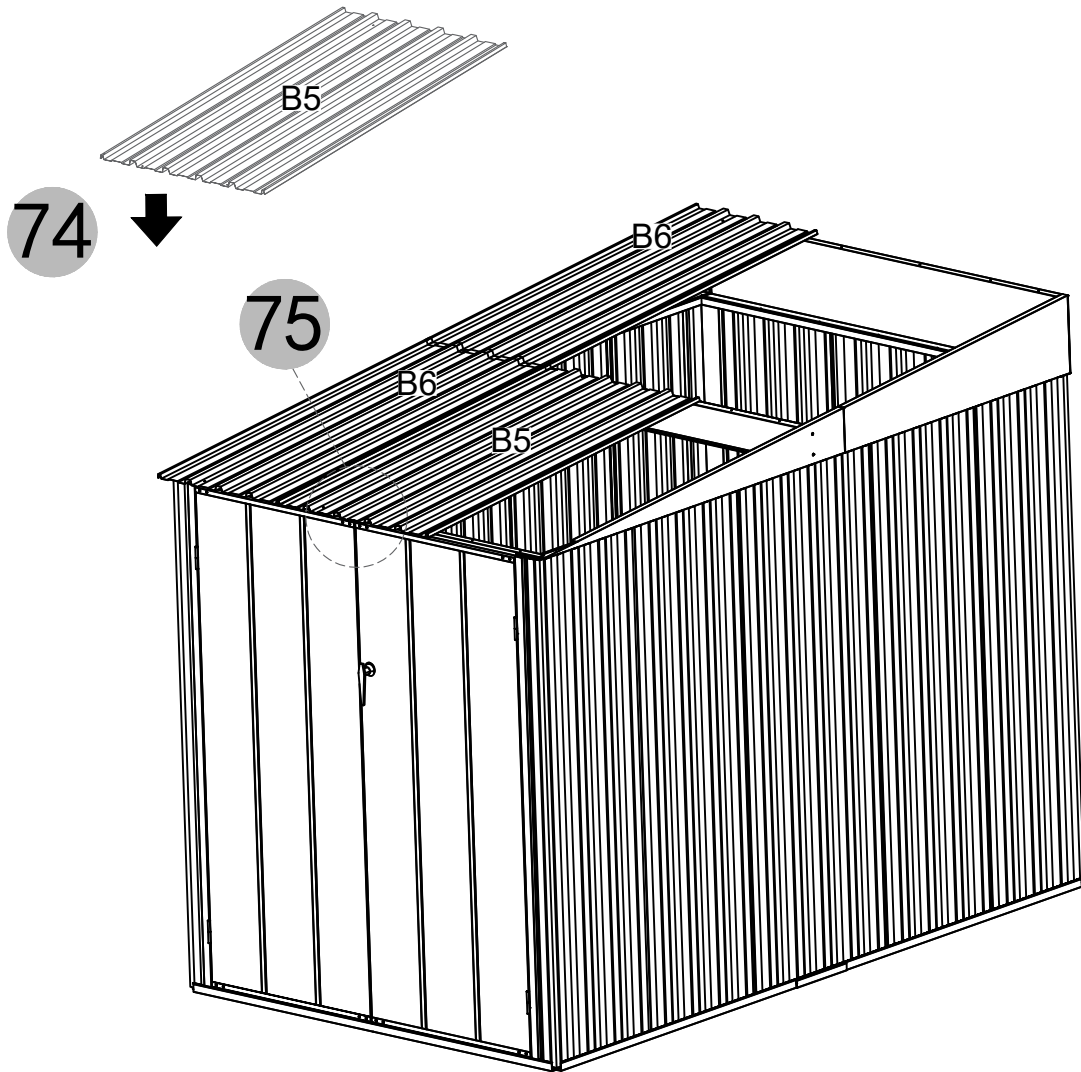
M4. 2X13

X2

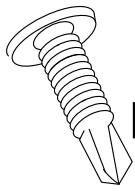
H7



X2

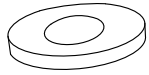


H1



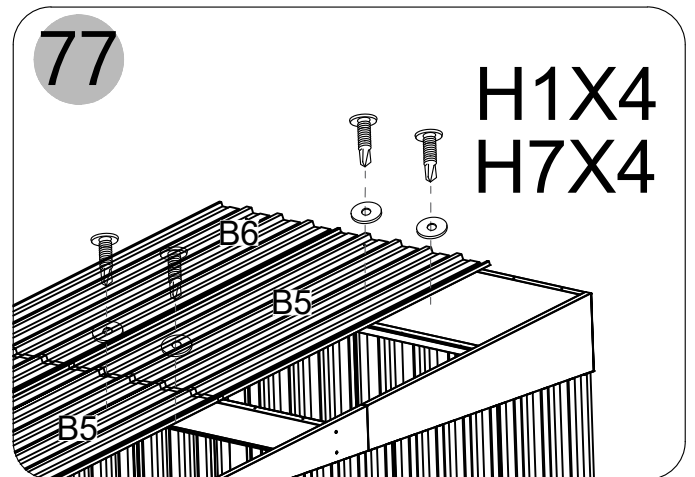
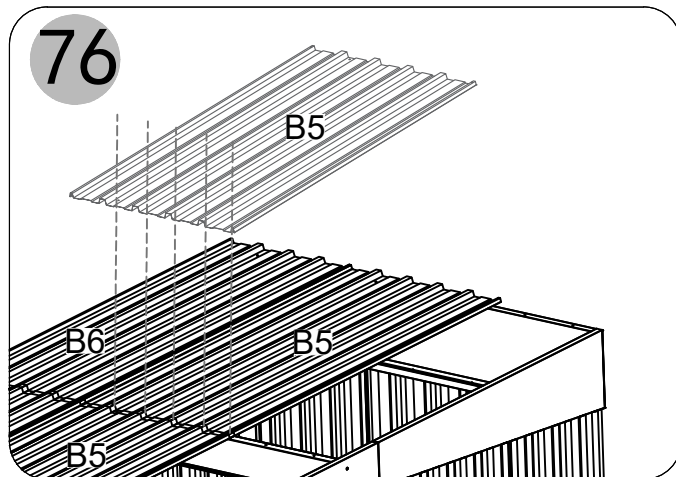
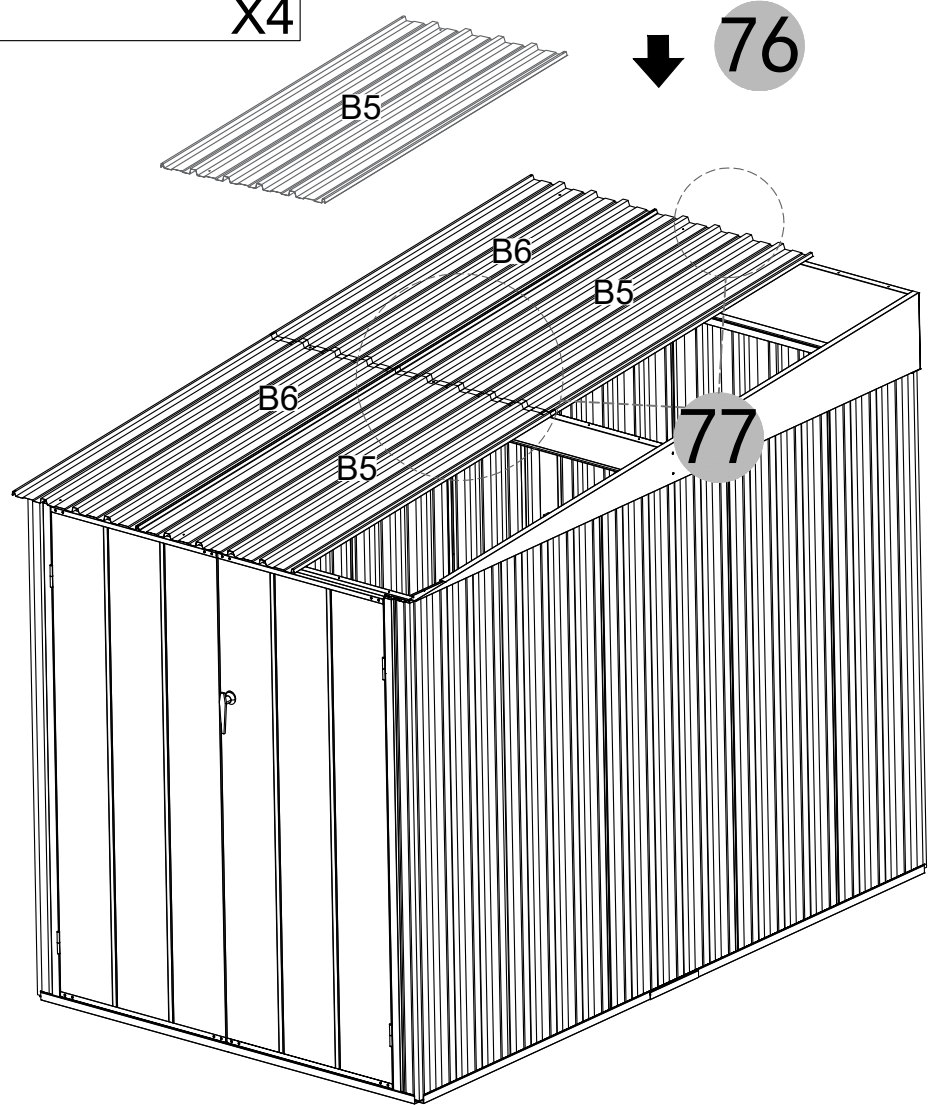
M4. 2X13

H7

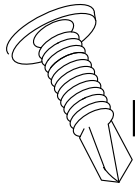


X4

X4



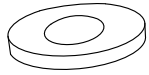
H1



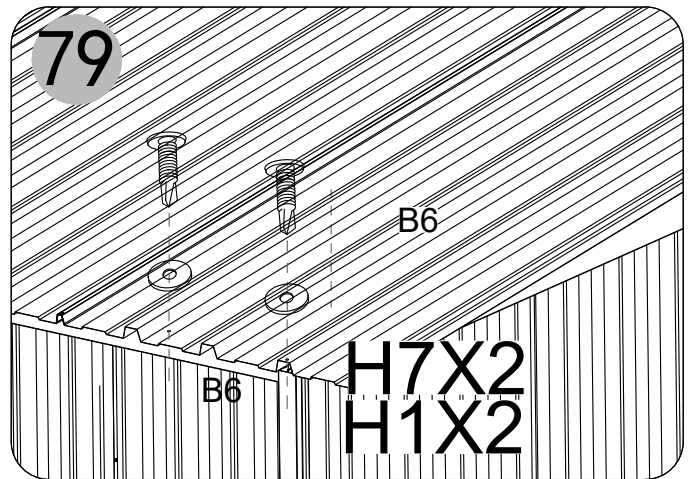
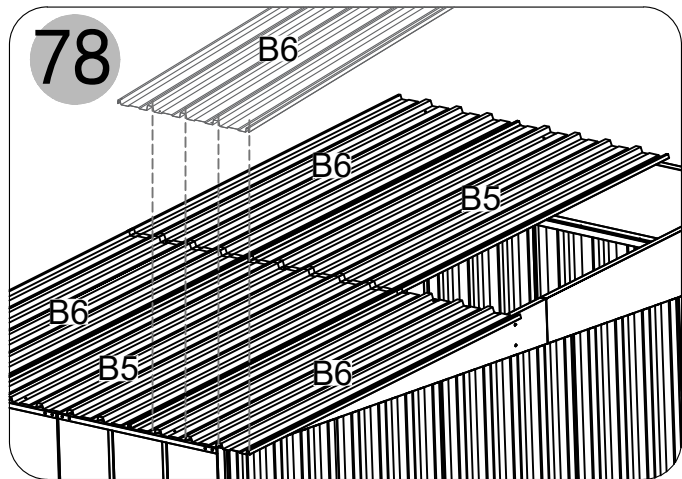
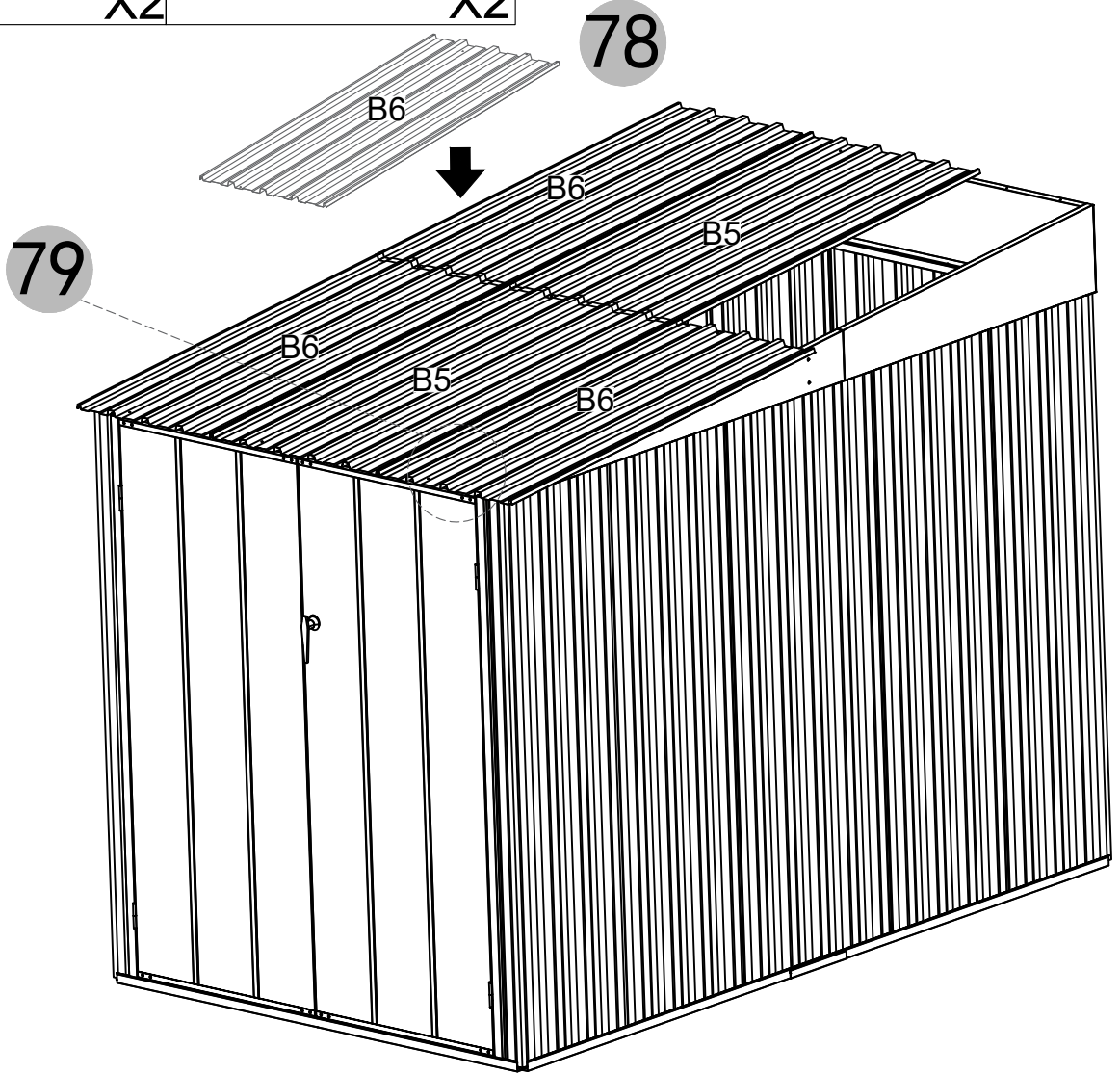
M4. 2X13

X2

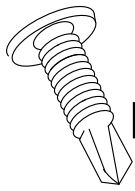
H7



X2



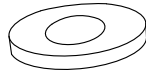
H1



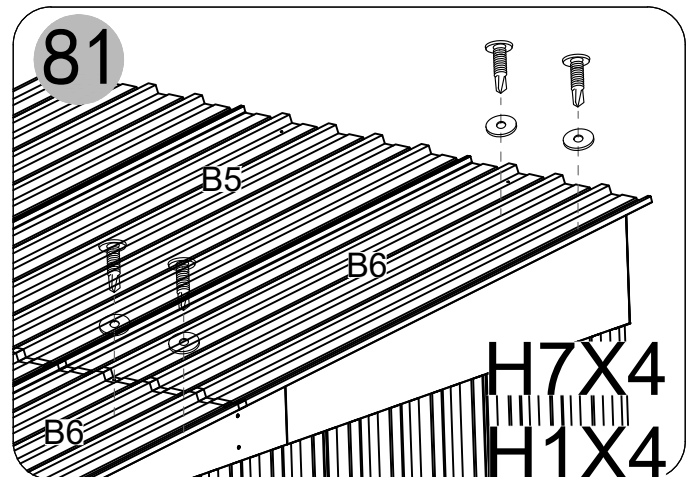
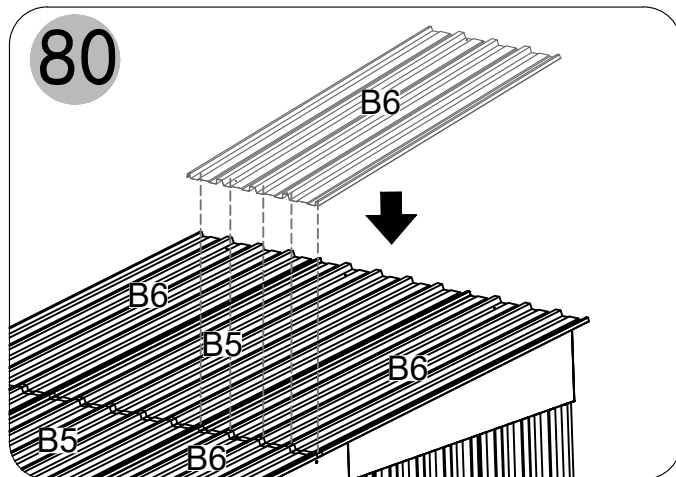
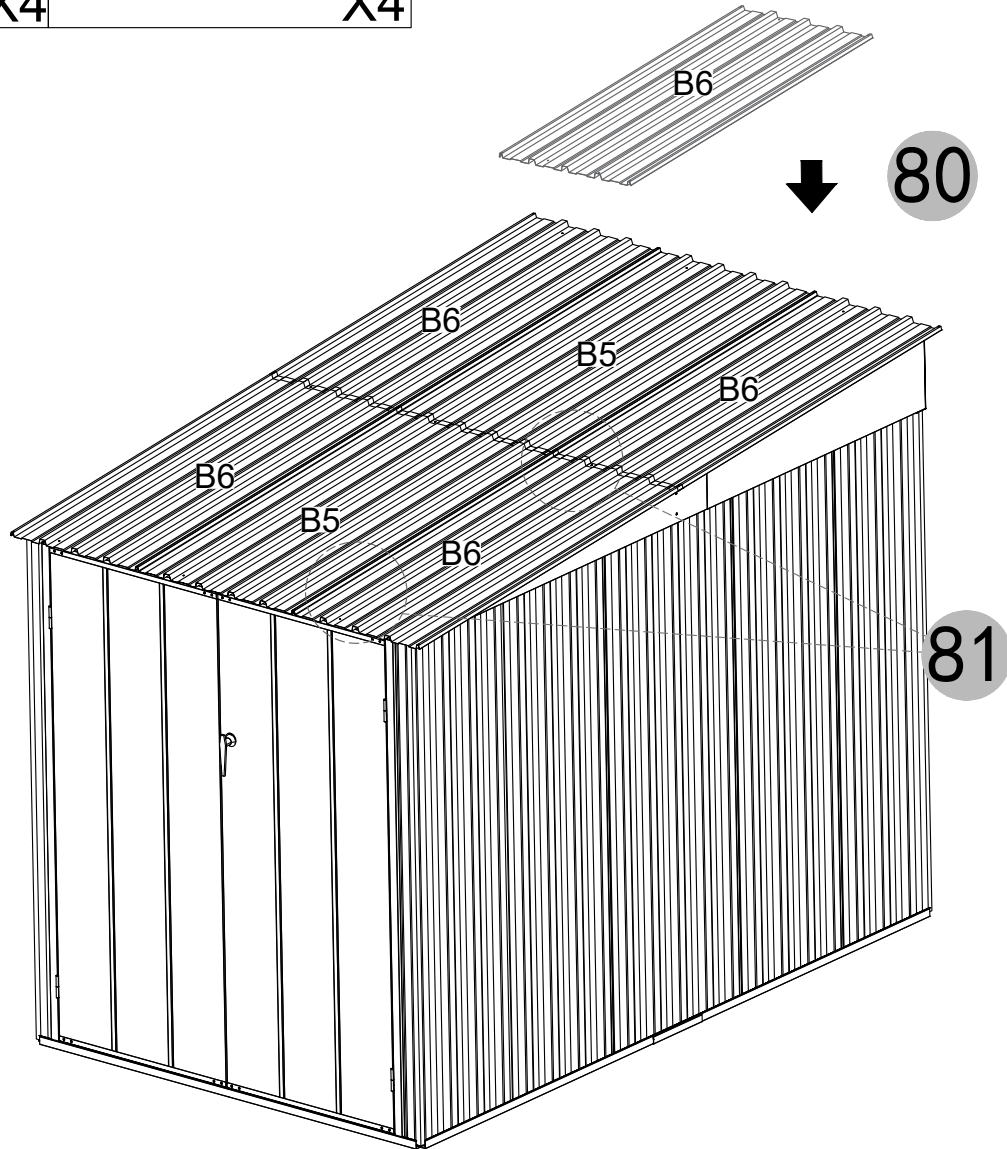
M4. 2X13

X4

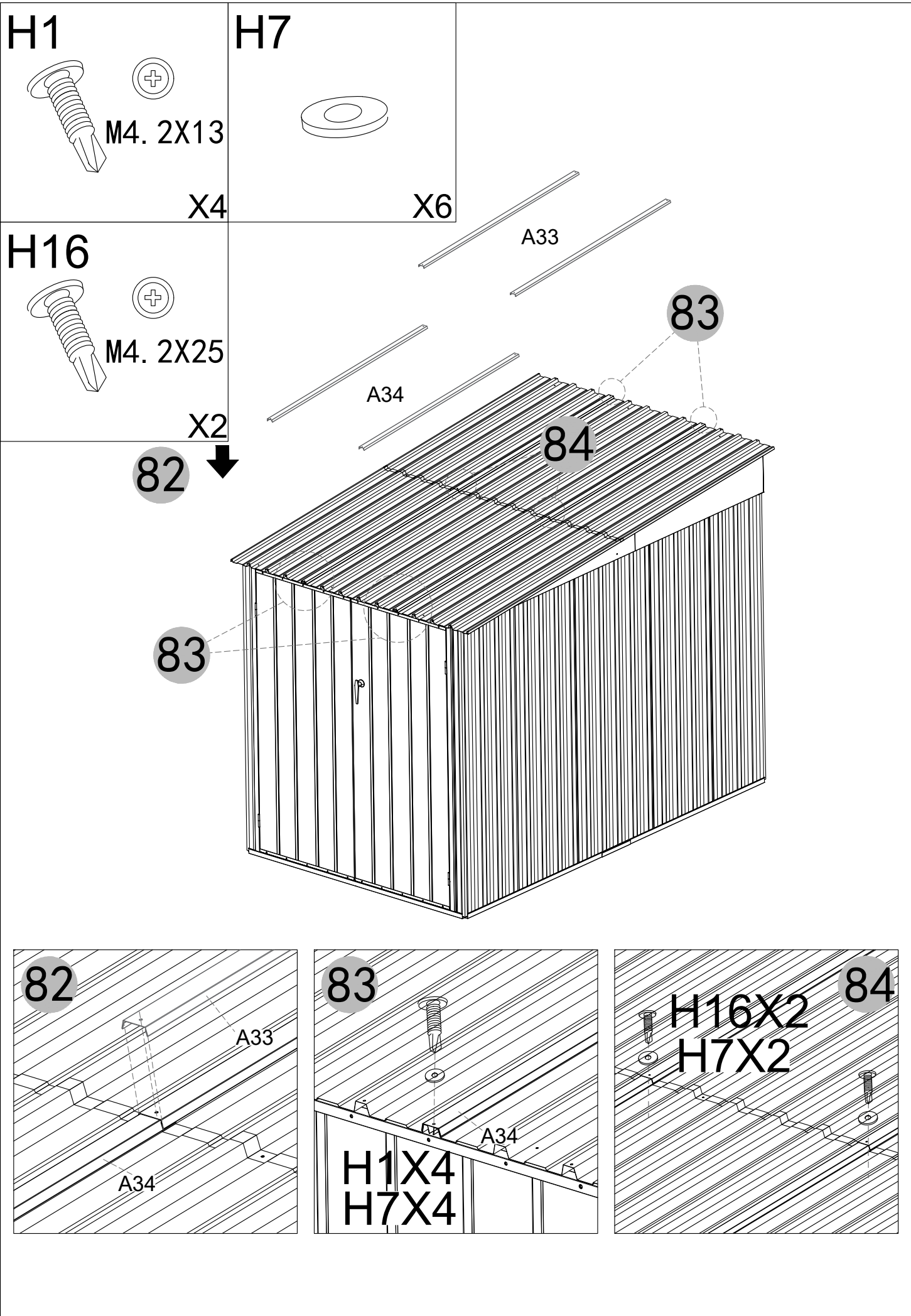
H7



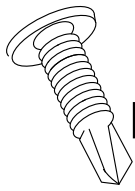
X4



H7X4
H1X4

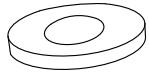


H1



M4. 2X13

H7



X2

X2

85

A18-A

A18-B

86

B6

B5

B6



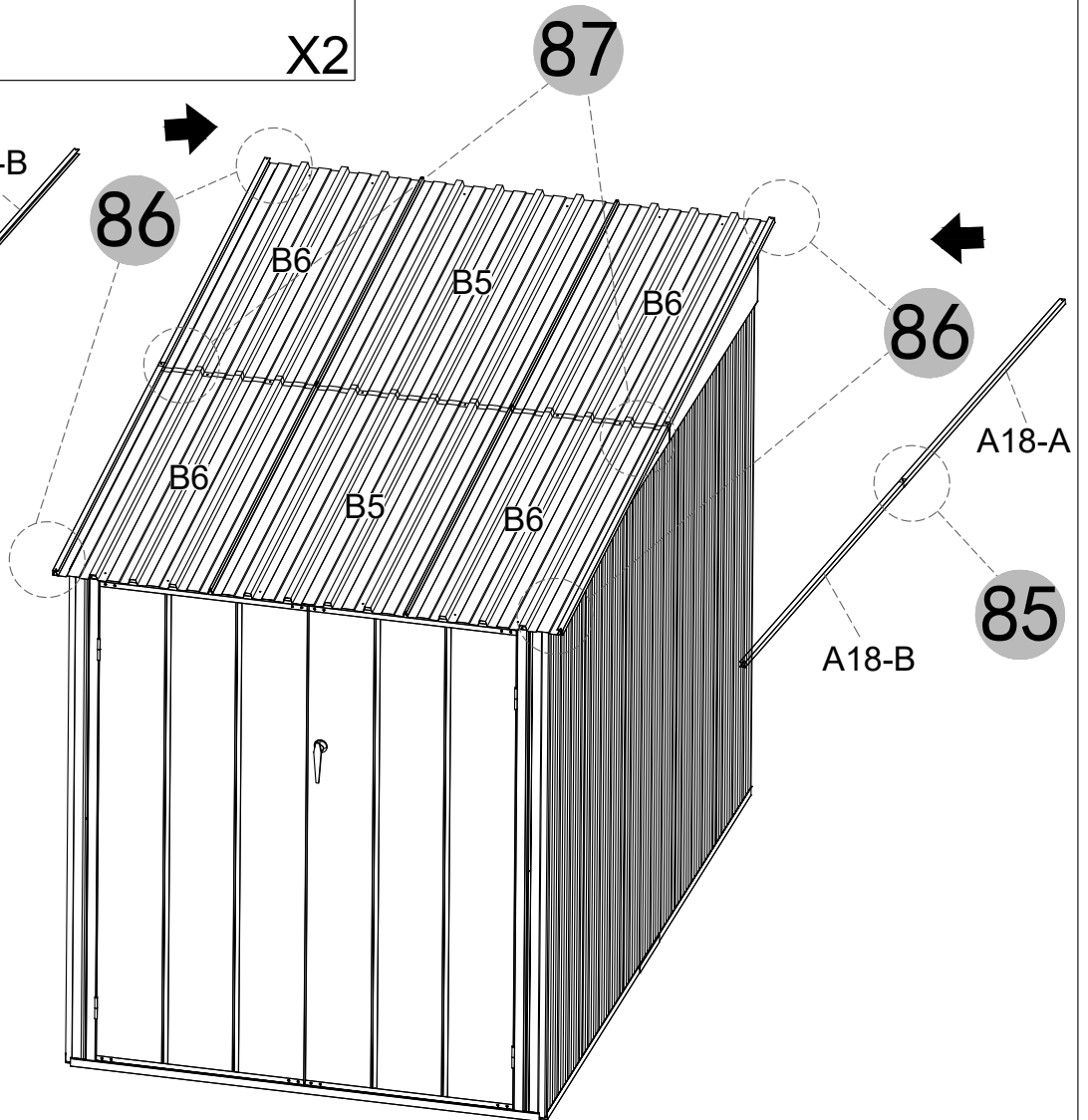
86



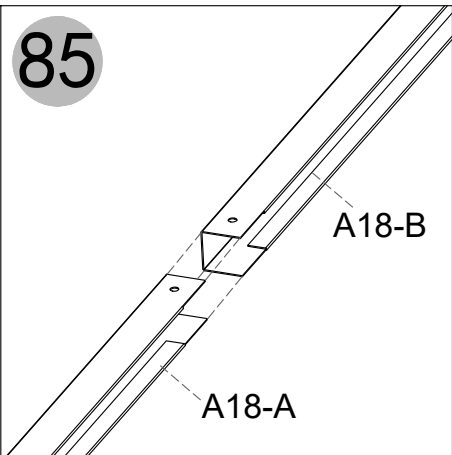
A18-A

85

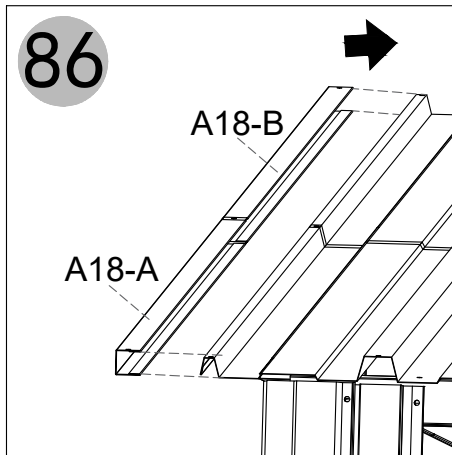
A18-B



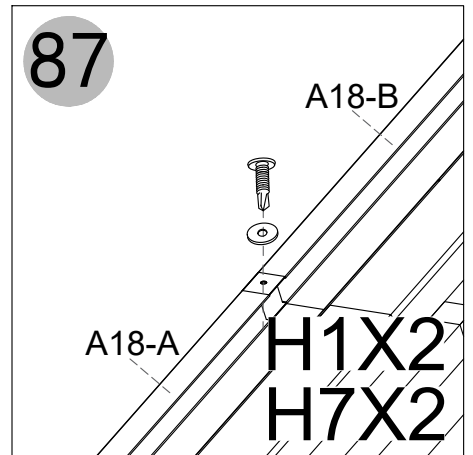
85



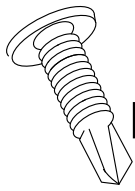
86



87



H1

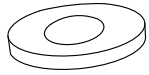


M4. 2X13

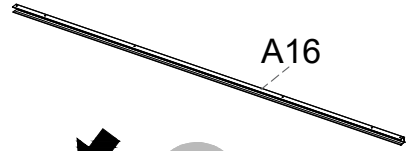


X16

H7



X16

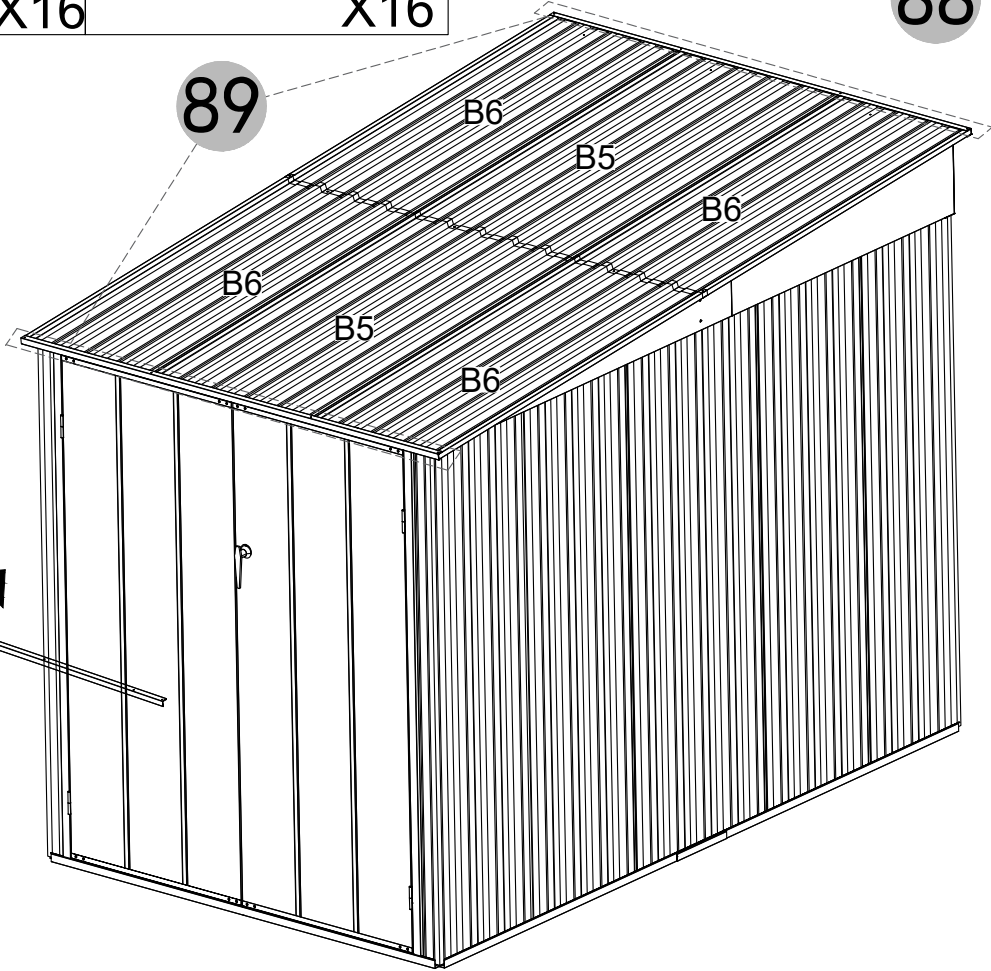


A16



88

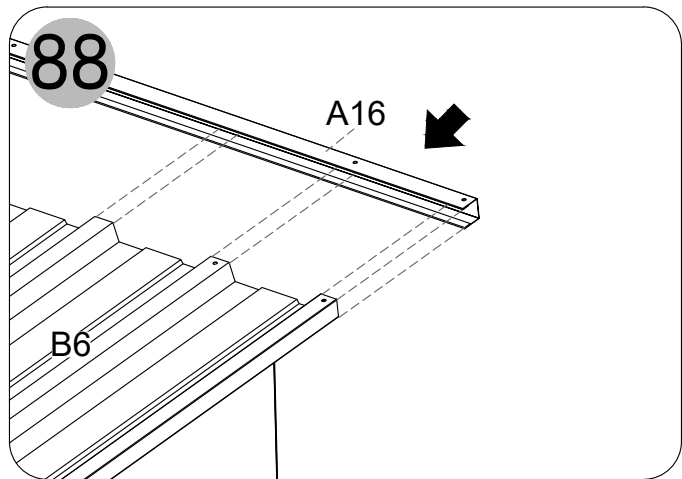
89



88



A17



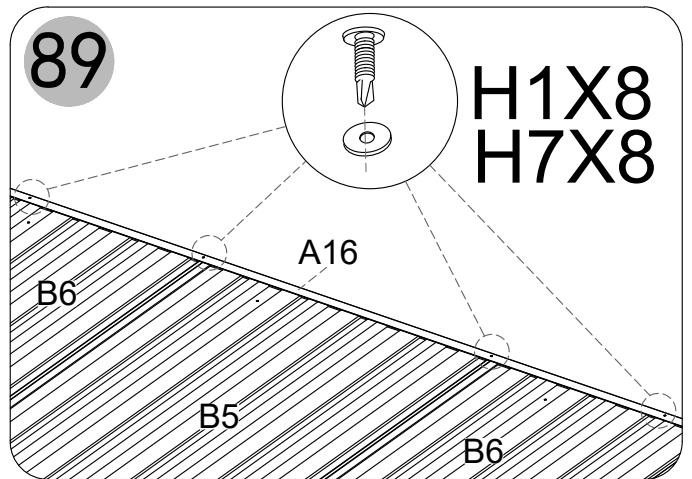
88

A16

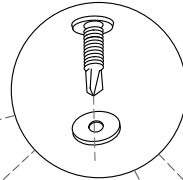


B6

X2



89



H1X8
H7X8

A16

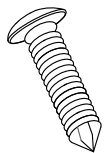
B6

B5

B6

X2

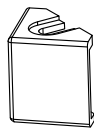
H3



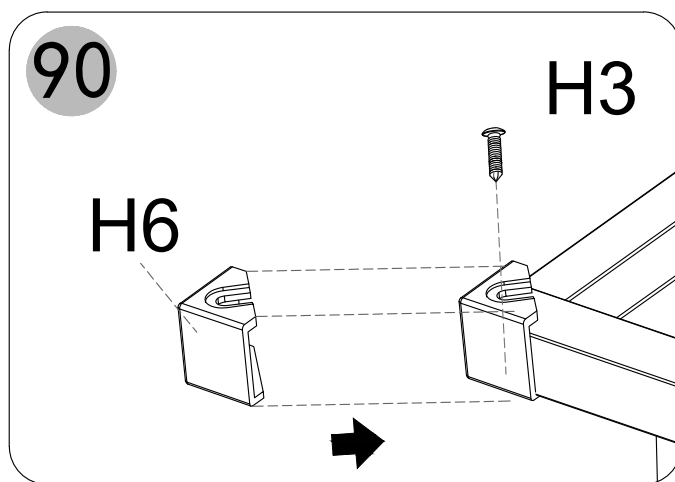
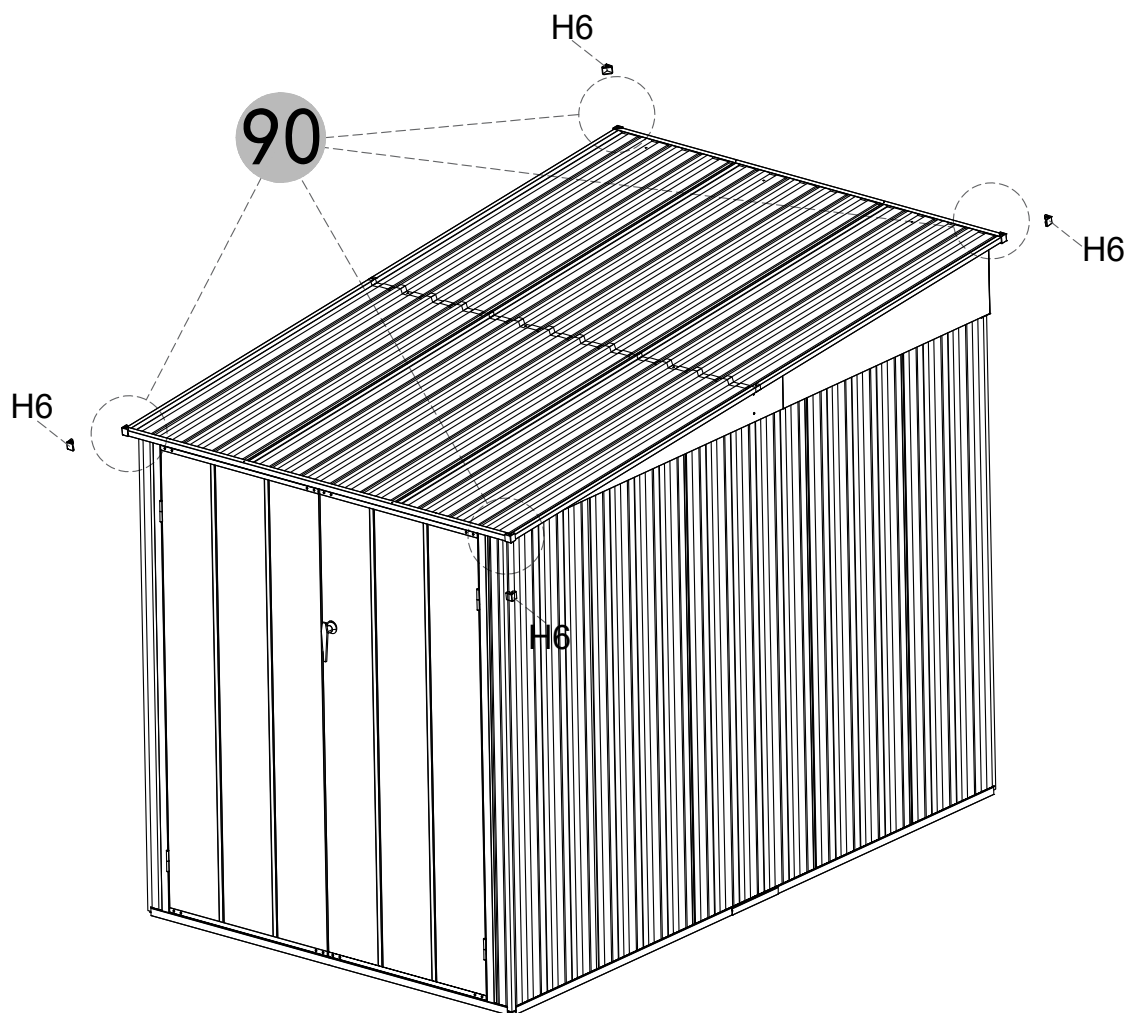
M4. 2X13

X4

H6

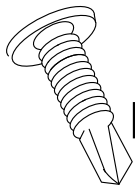


X4



X4

H1

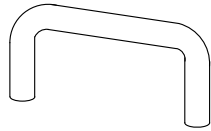


M4. 2X13

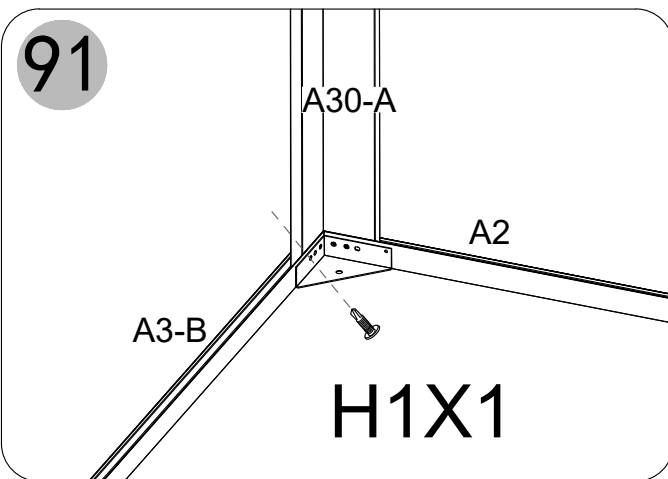
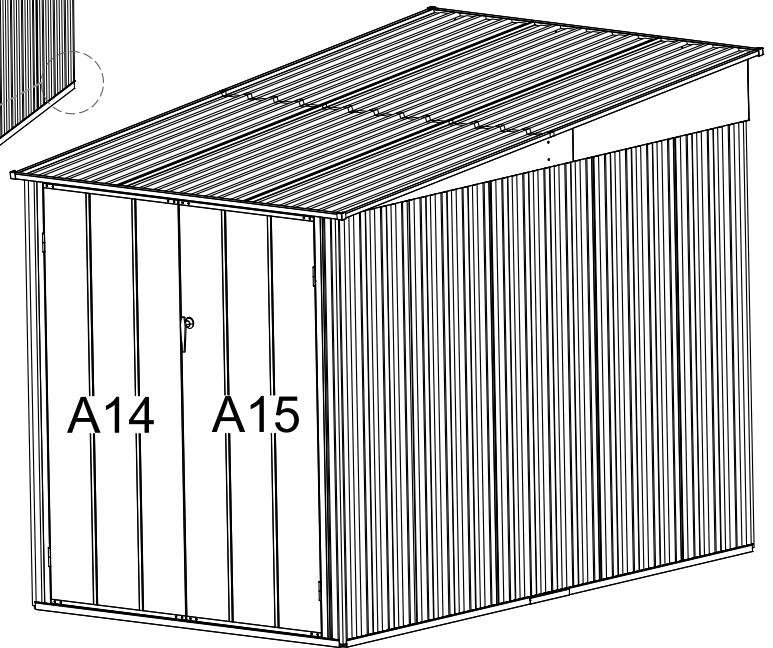
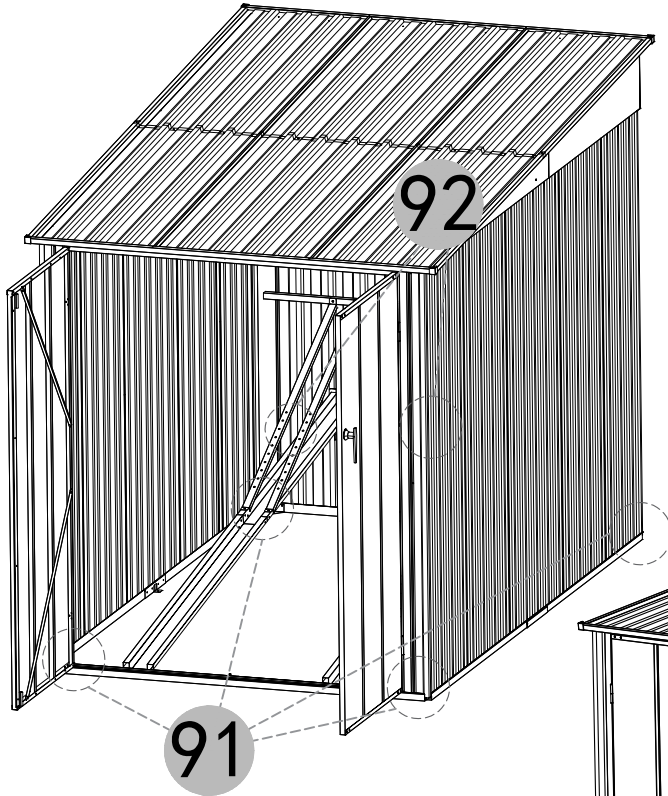


X4

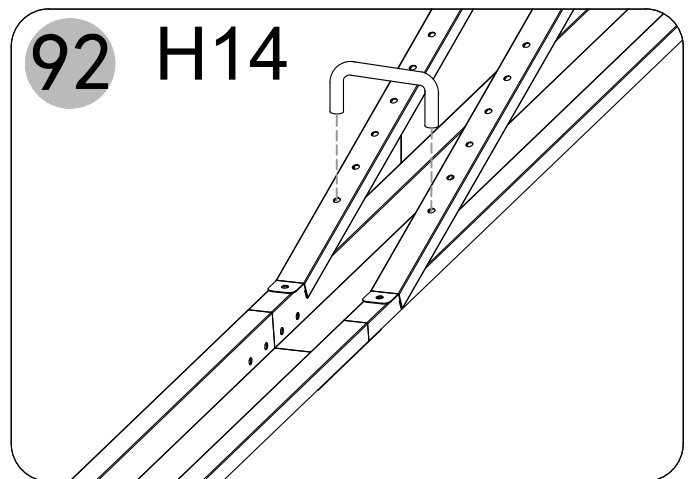
H14



X2



X4



Contact information

Austria



Belgium



Croatia



Denmark



Estonia



Finland



France



Germany



Ireland



Italy



Latvia



Lithuania



Nederland



Norway



Poland



Portugal



Spain



Sweden



Switzerland



UK

