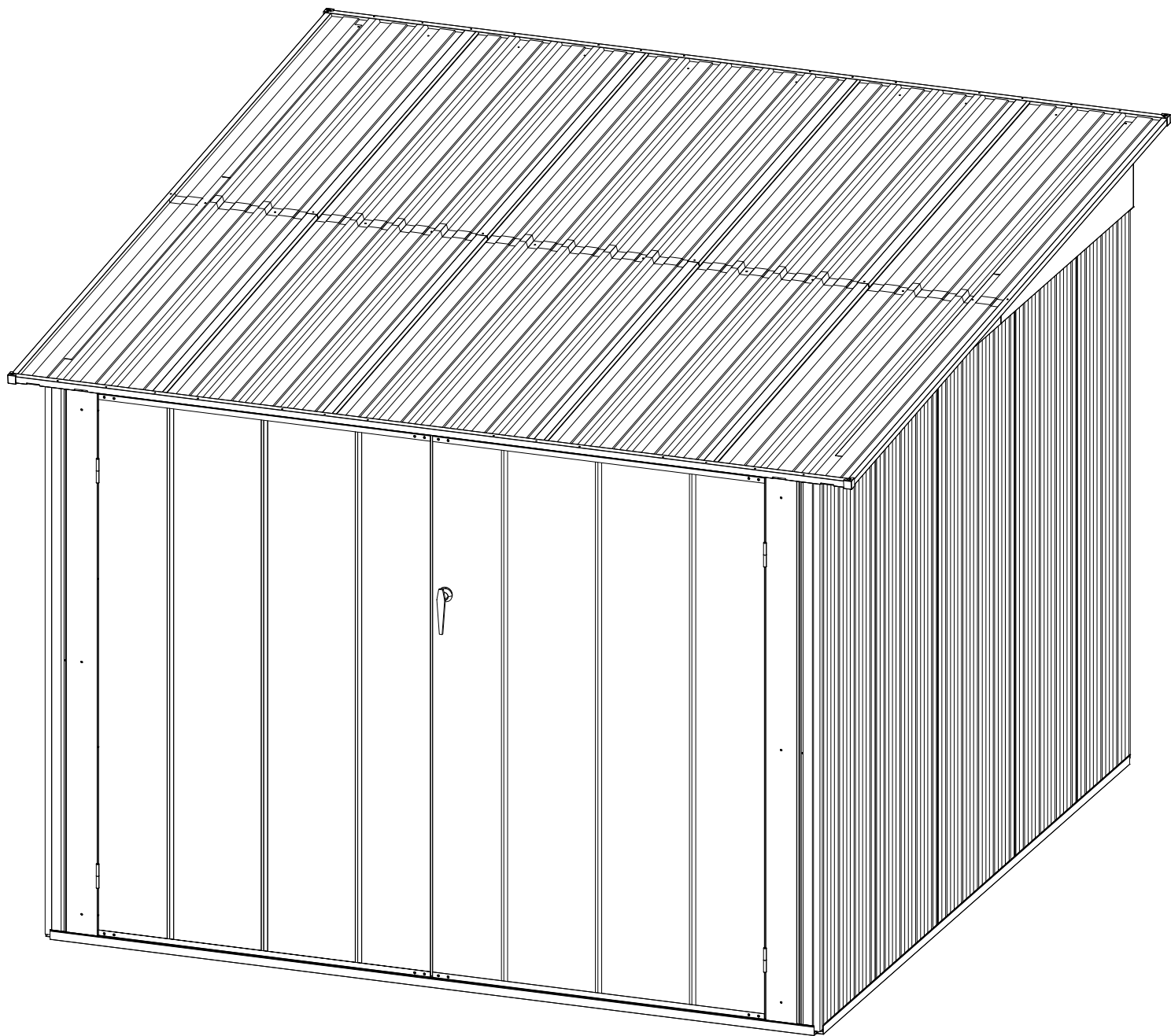


Manual  
for  
Bike Storage  
2,09x2,17x1,65m

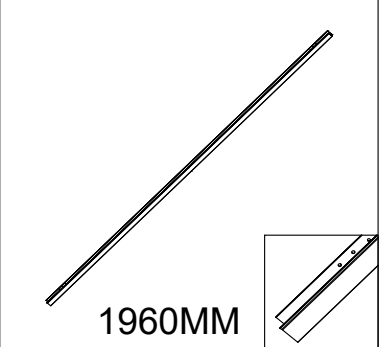
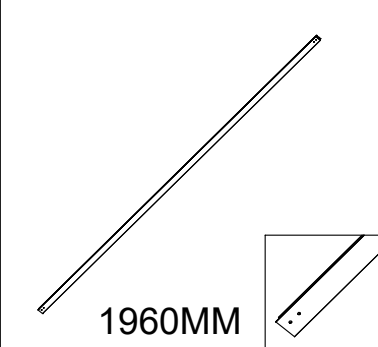
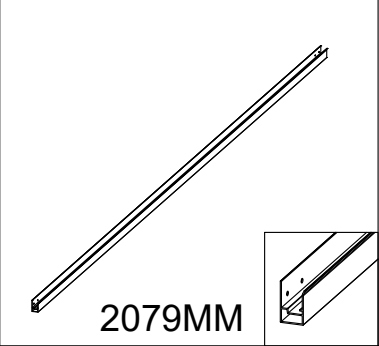
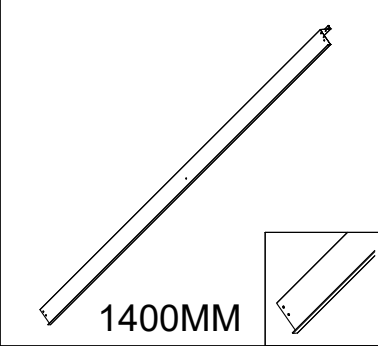
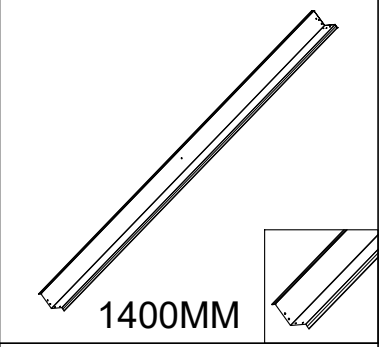
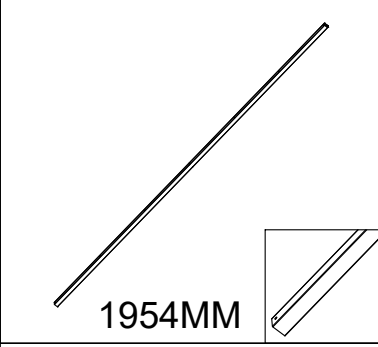
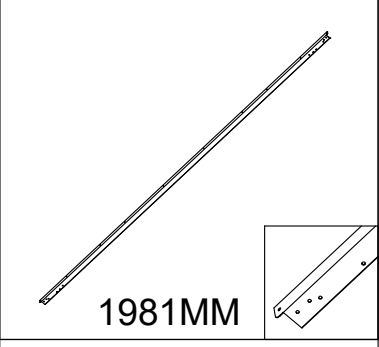
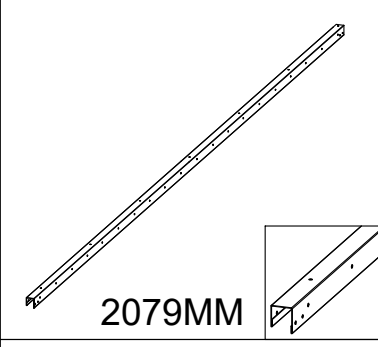
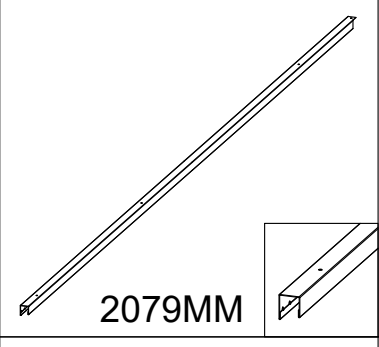
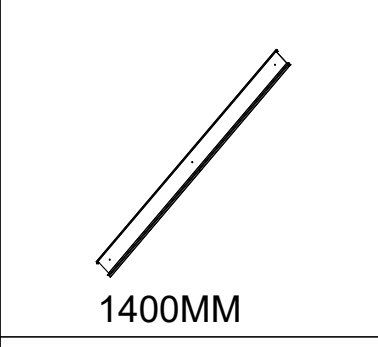
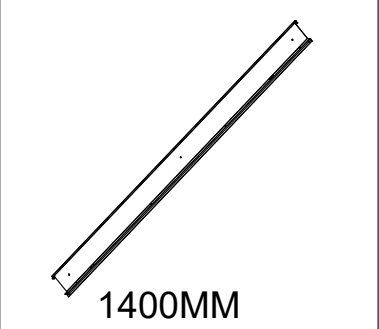
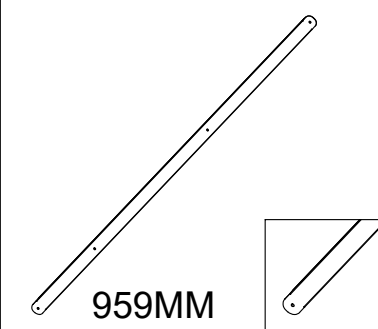


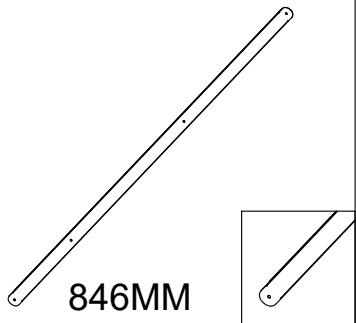
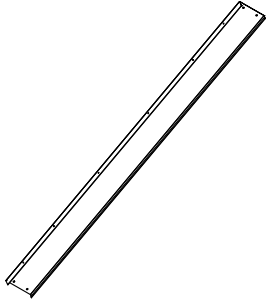
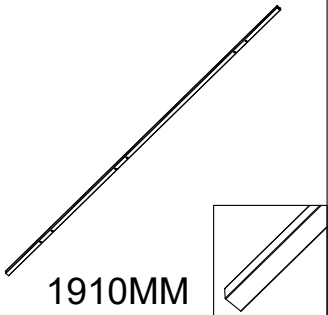
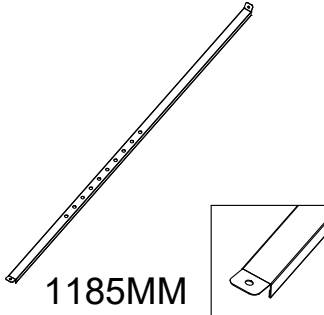
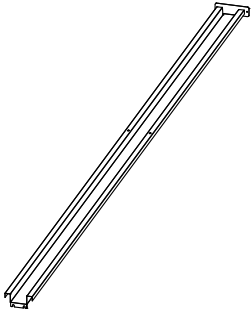
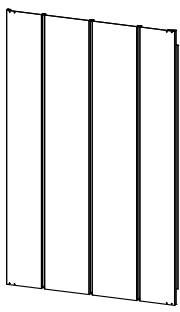
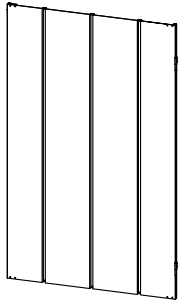

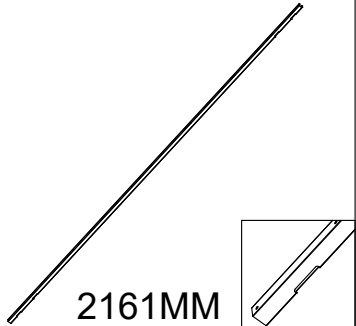
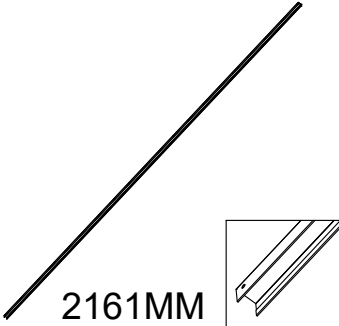
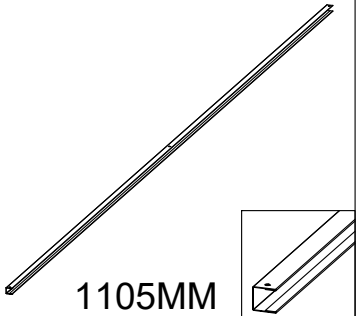
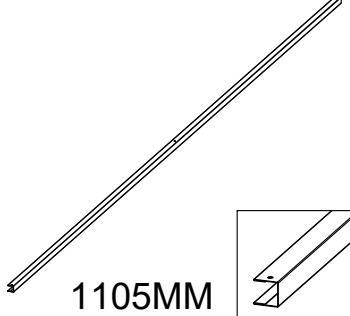
# ASSEMBLY INSTRUCTIONS

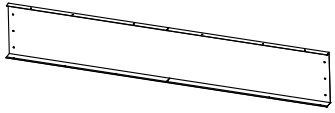
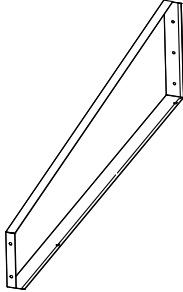
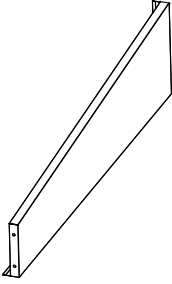
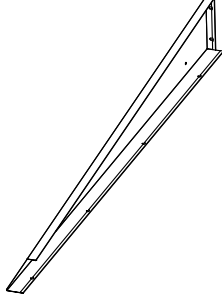
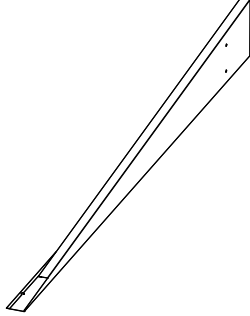
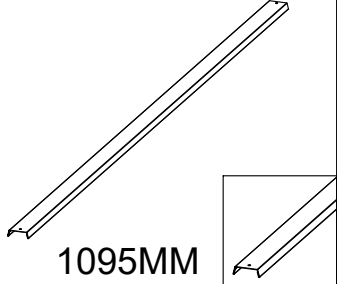
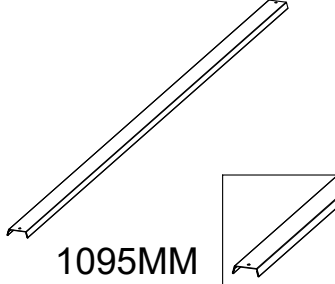
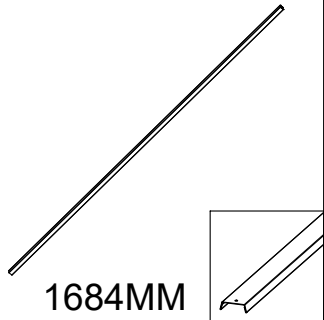
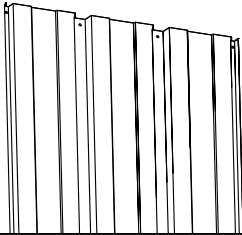
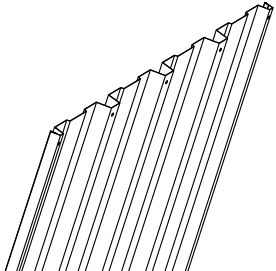
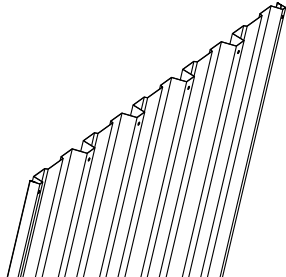
## Bike Storage

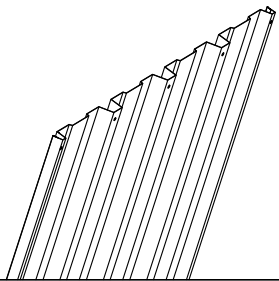
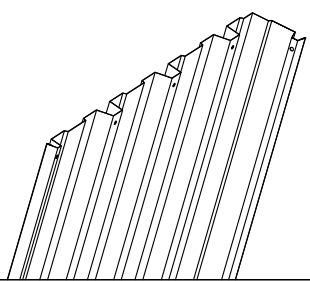
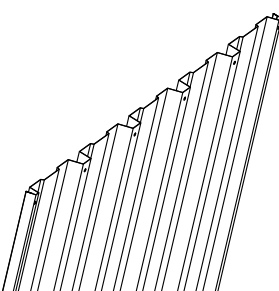
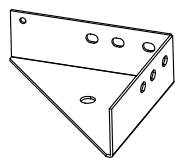


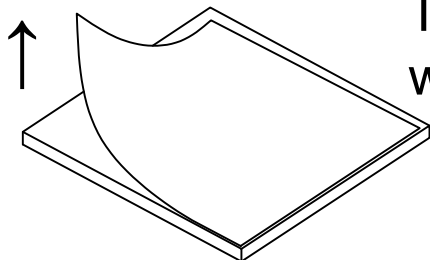
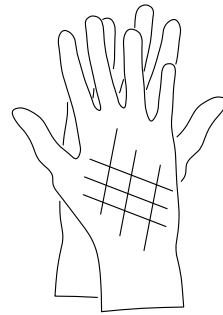
2090x2170x1650mm (1410mm)

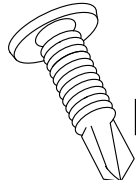


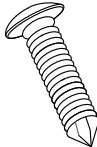

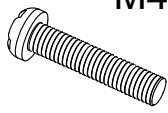

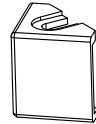
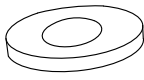
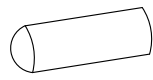
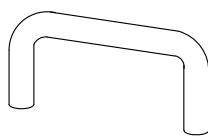

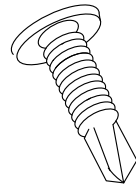

A1		X1	A2		X1
A3		X2	A4-A		X2
A4-B		X2	A6		X1
A7		X1	A8-A		X1
A8-B		X1	A11-A		X1
A11-B		X1	A12-A		X4

A12-B		X2	A13		X1
A14		X1	A15		X6
A16		X3	A19		X1
A20		X1	A21		X2
A22		X1	A23		X1
A24-A		X2	A24-B		X2

A25		X1		A26-A		X1
A26-B		X1		A27-A		X1
A27-B		X1		A33		X4
A34		X4		A35		X1
B1		X4				
B2		X4		B3		X2

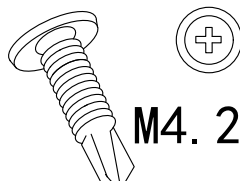
B5		X6	B4		X4
B6		X4	Z1		X4

	<p>The surface comes with an easy-tear film</p>		X2
--	---	--	----

<b>H1</b>   M4. 2X13 X159	<b>H2</b>  M6X100 X4	<b>H3</b>   M4. 2X13 X81	<b>H4</b> M4X10  X30
<b>H5</b>  M4 X18	<b>H6</b>  X4	<b>H7</b>  X110	<b>H9</b>  X24
<b>H14</b>  X3	<b>H15</b>  X1	<b>H16</b>   M4. 2X25 X4	

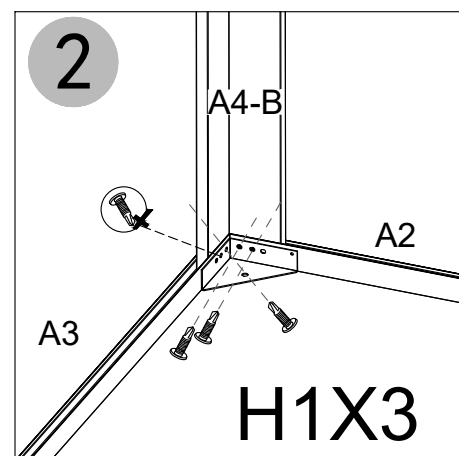
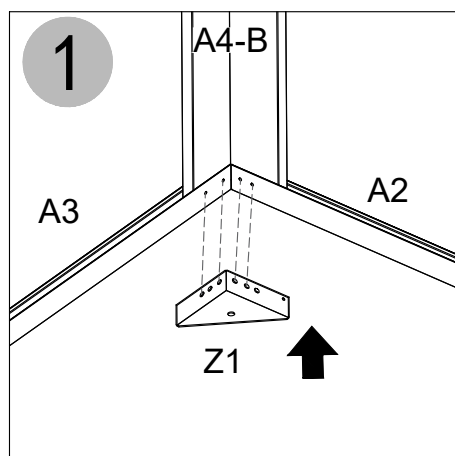
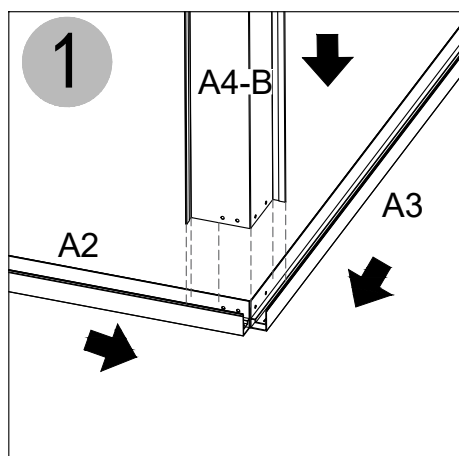
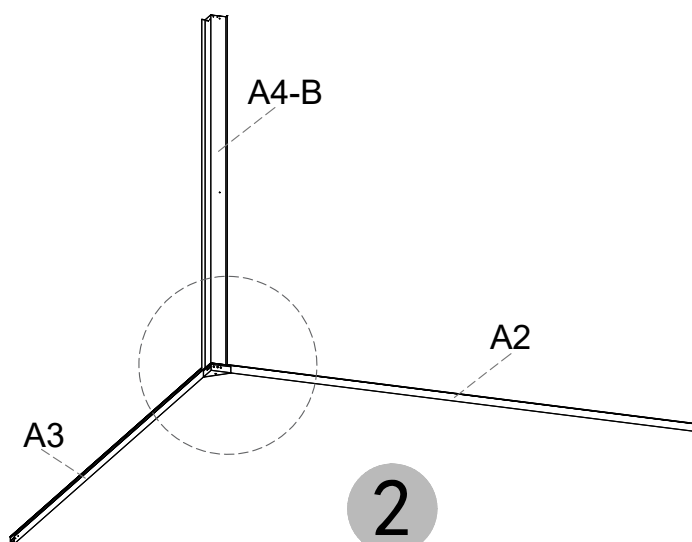
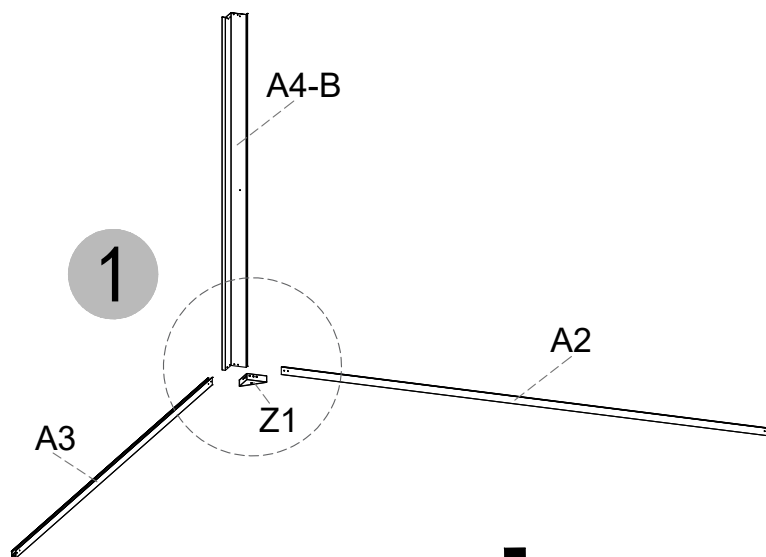


**H1**

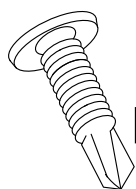


**M4. 2X13**

**X3**

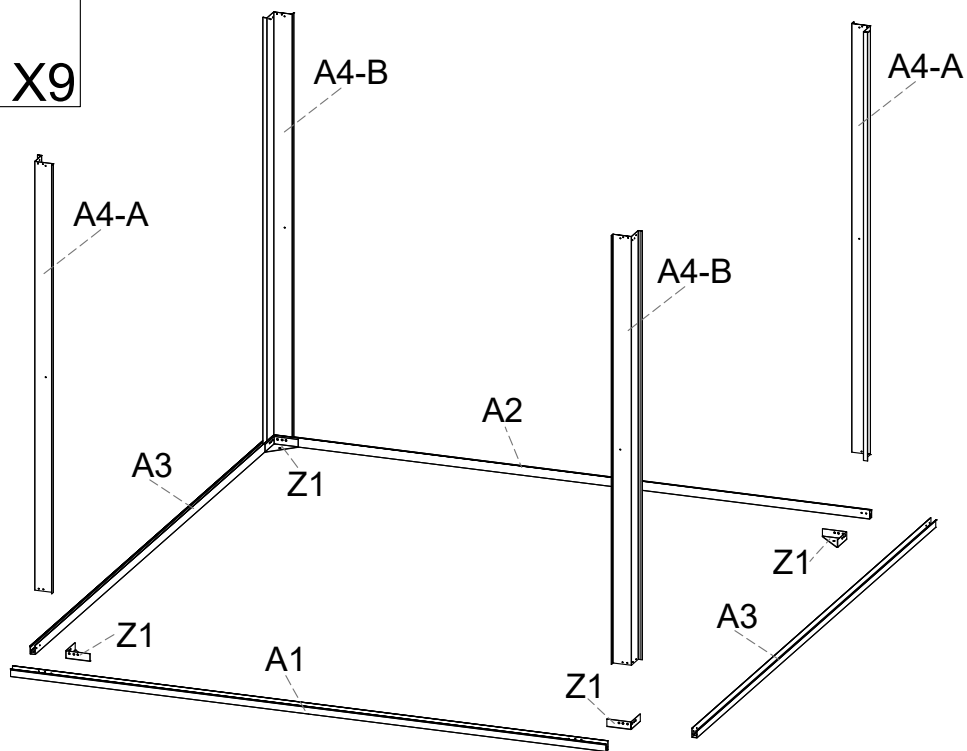


# H1



M4. 2X13

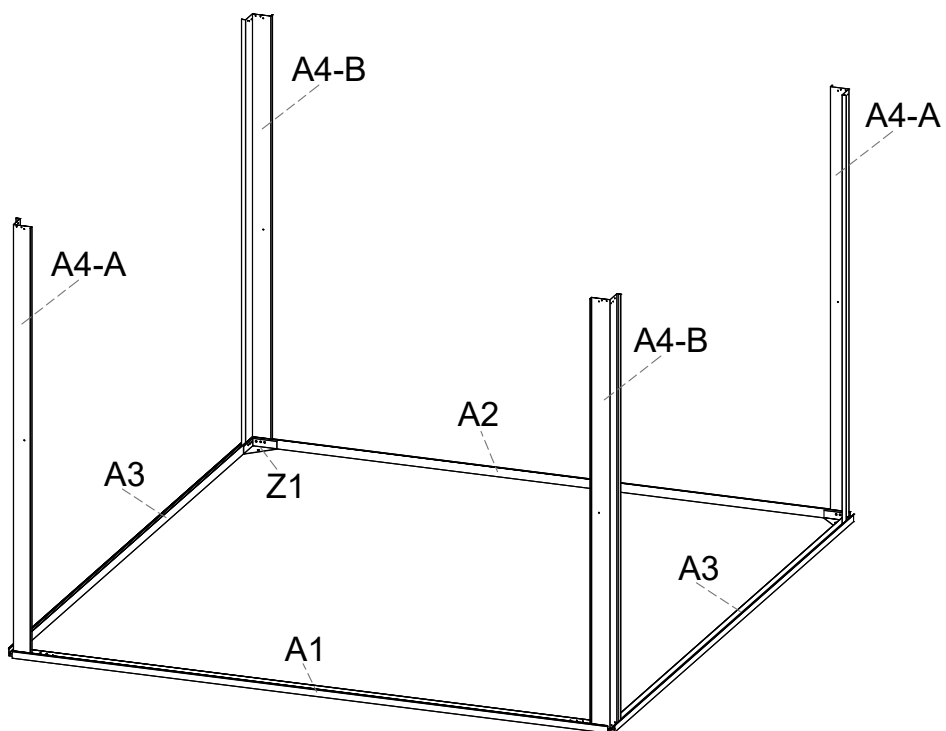
X9

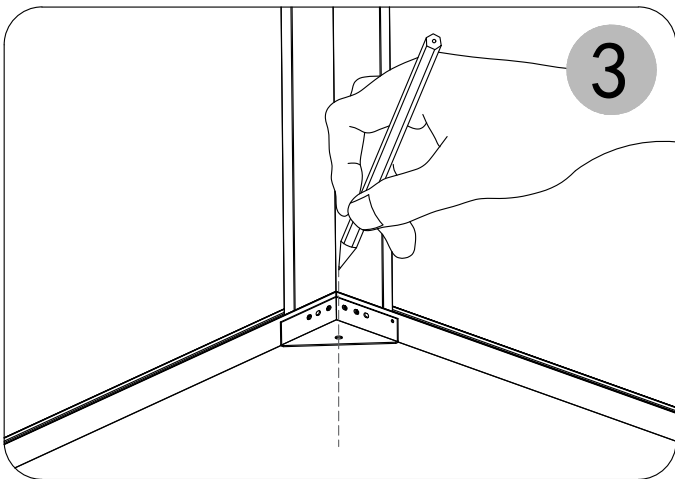
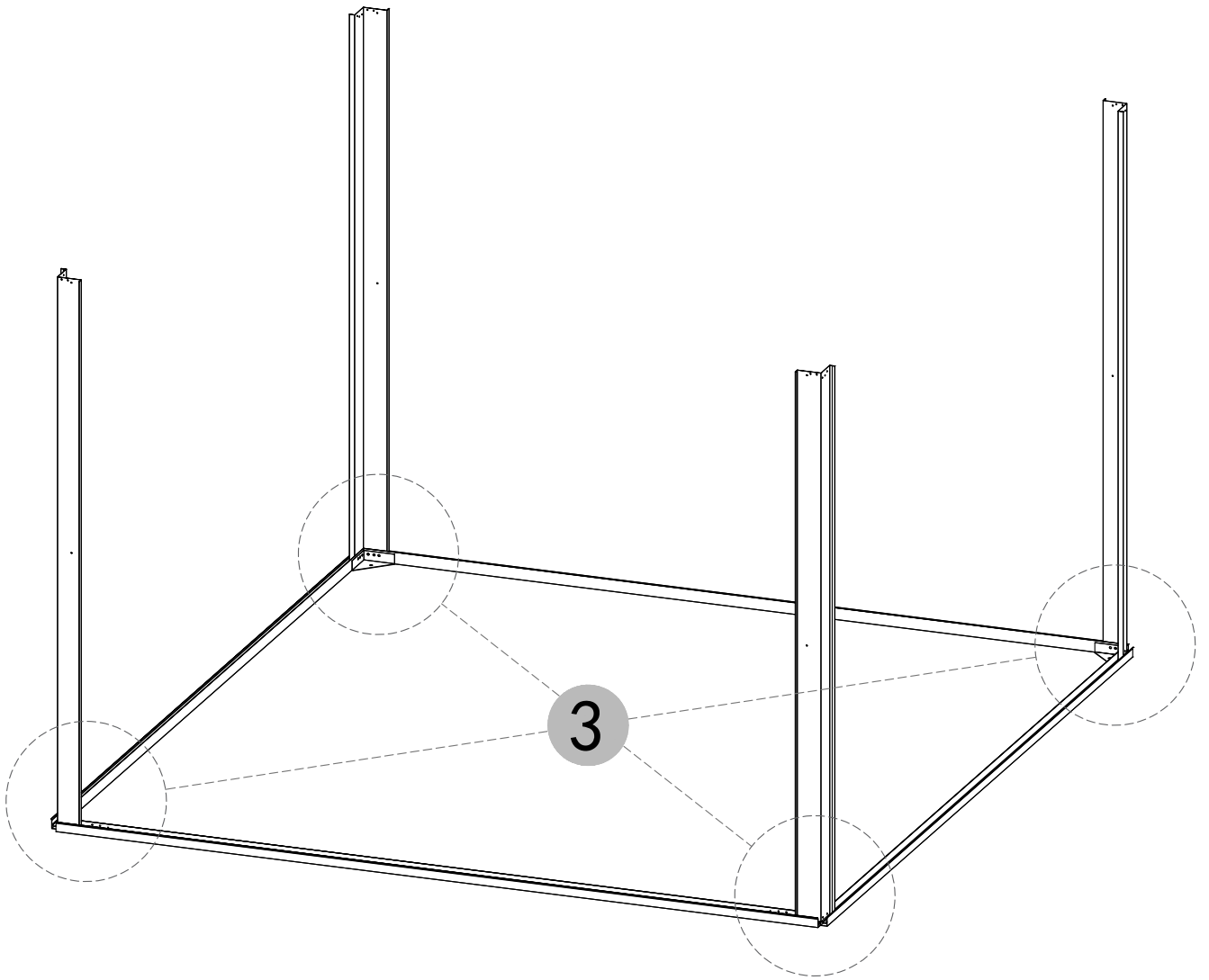


1 → 2

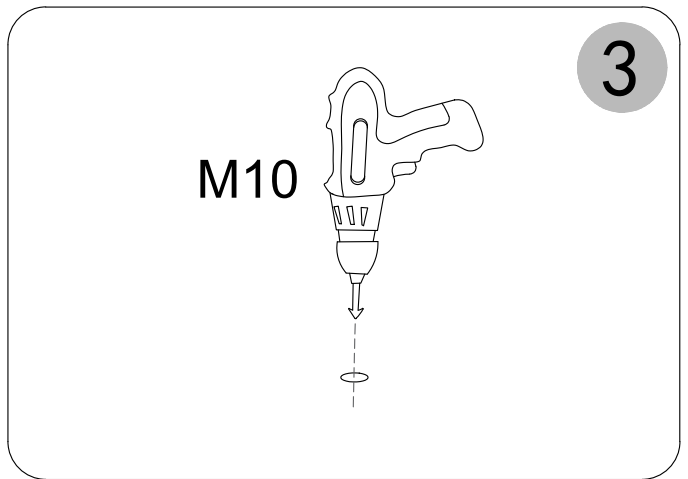


X3





X4



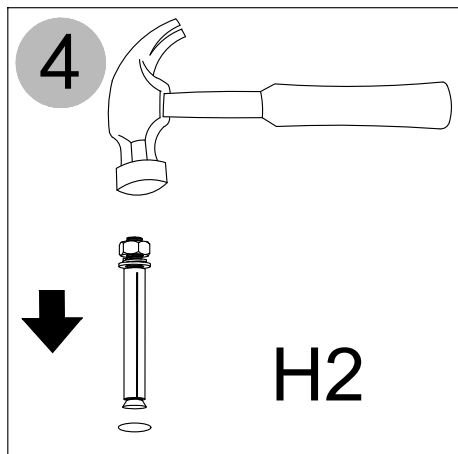
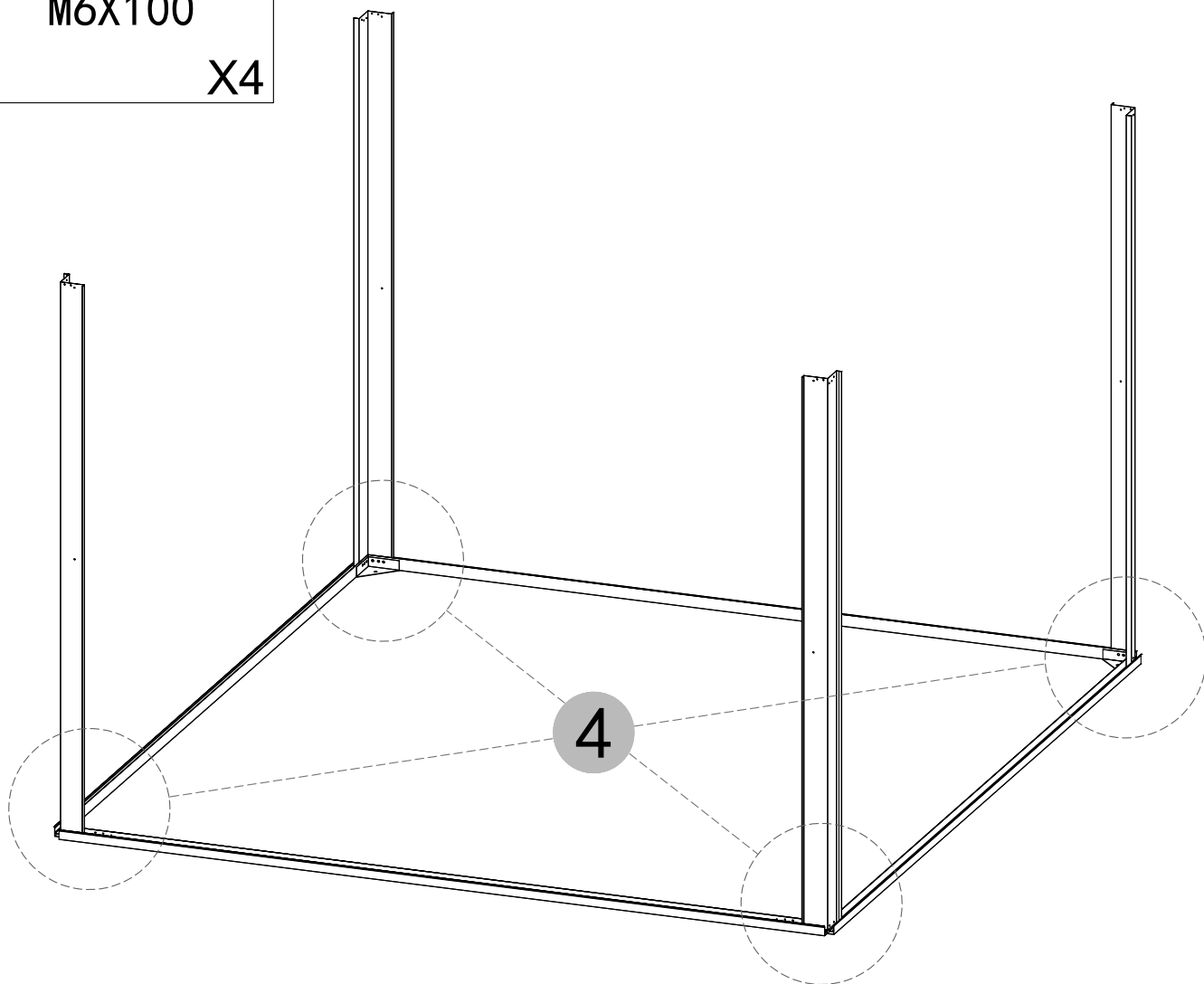
X4

H2

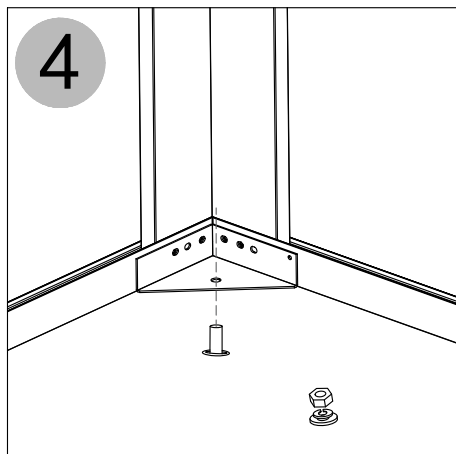


M6X100

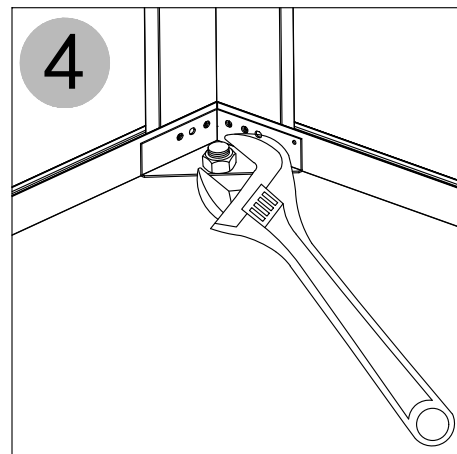
X4



X4

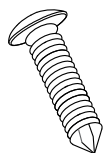


X4



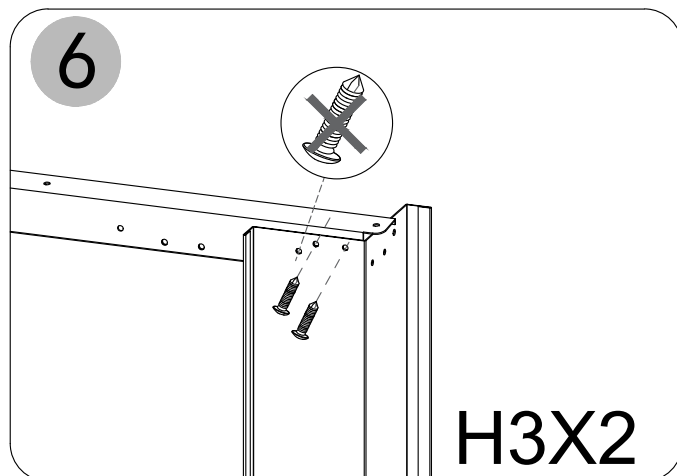
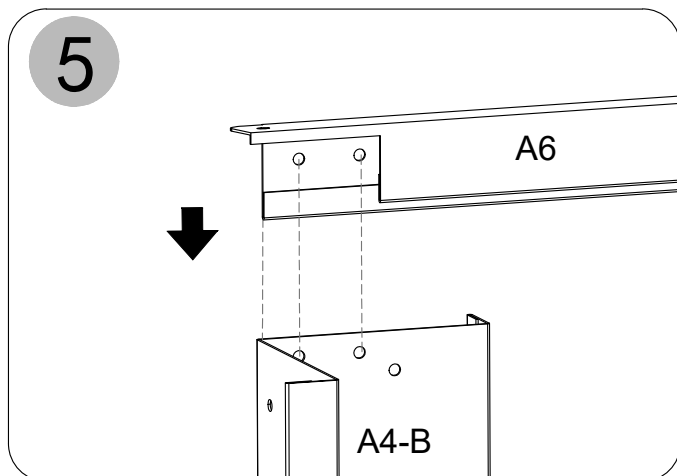
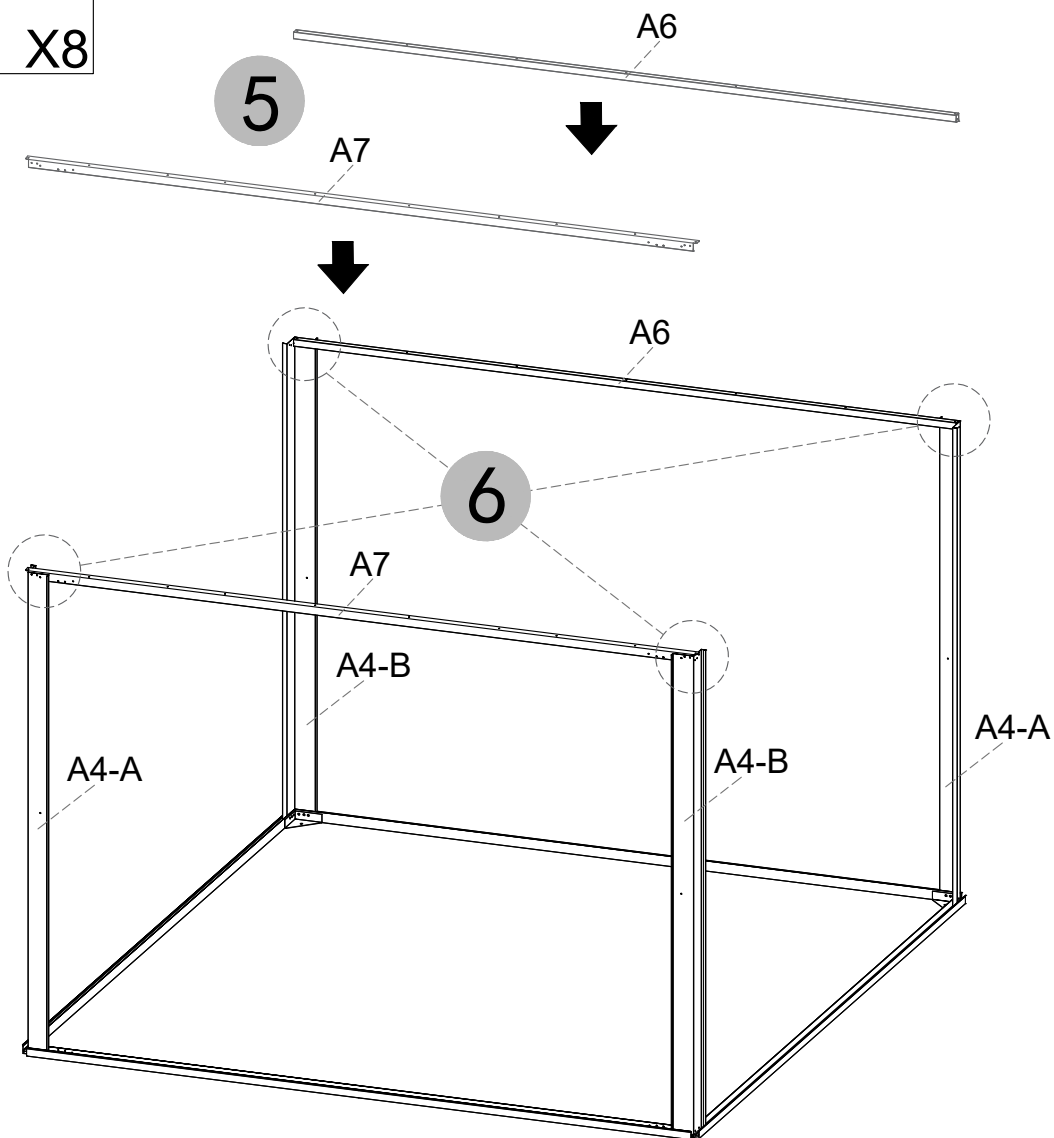
X4

# H3



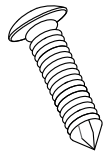
M4. 2X13

X8



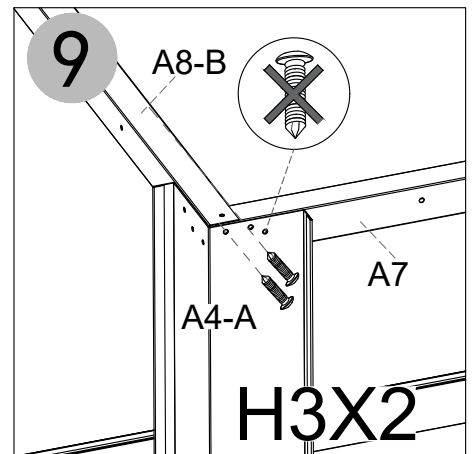
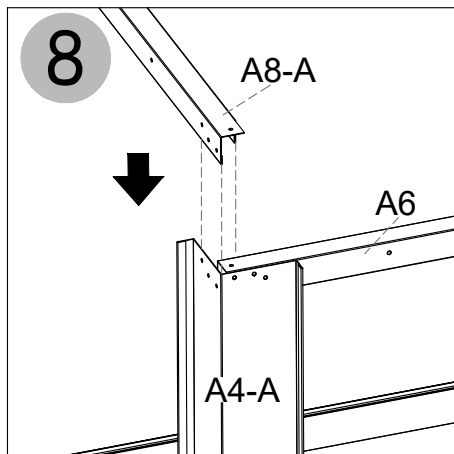
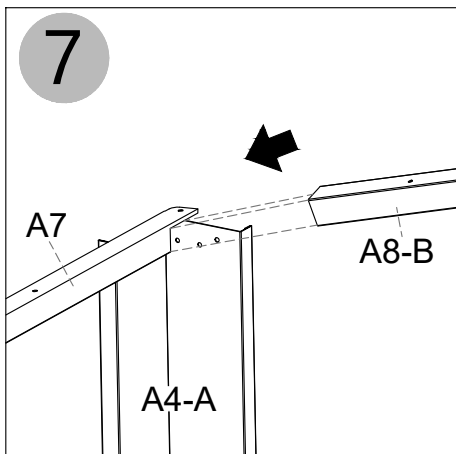
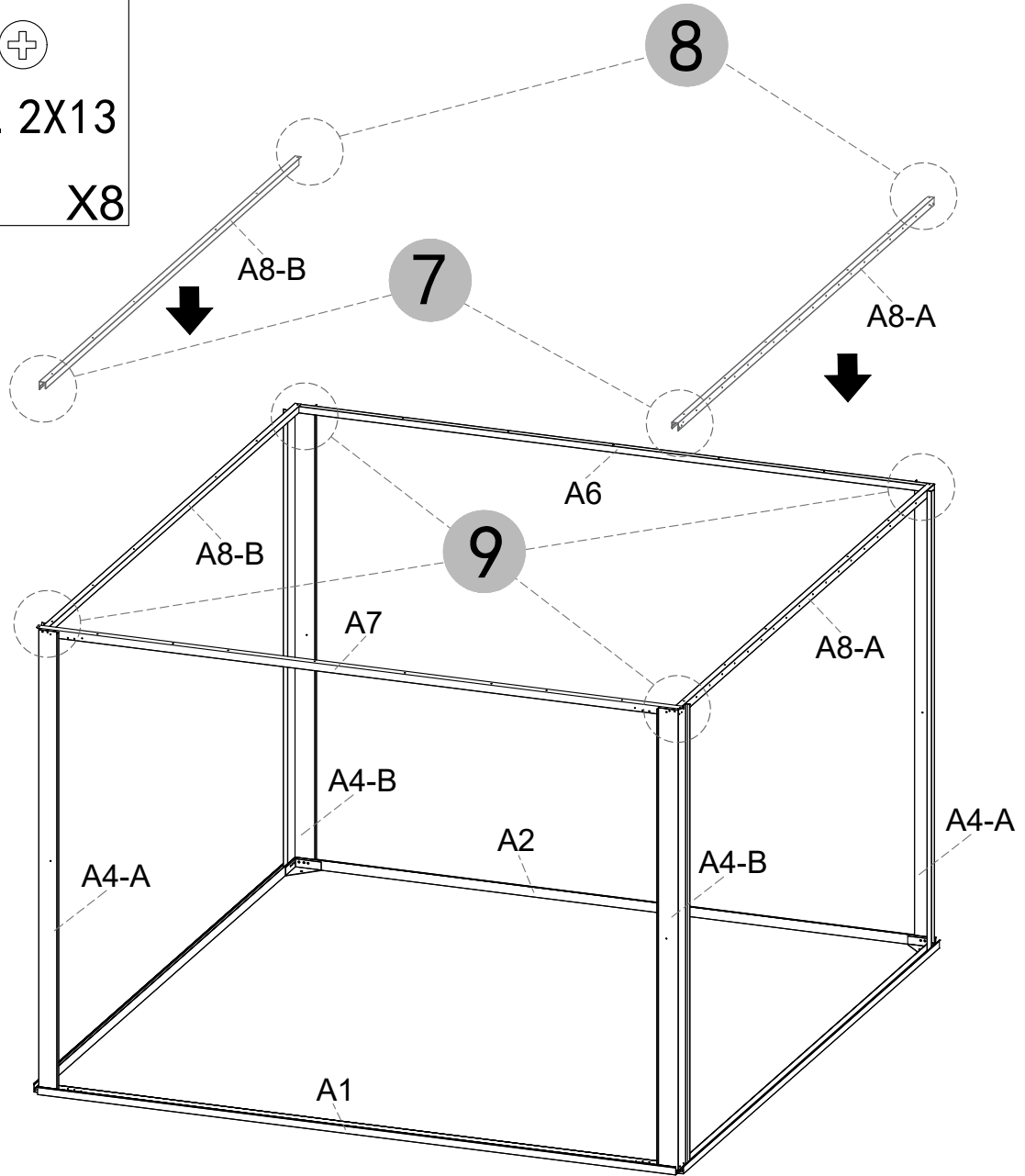
X4

# H3



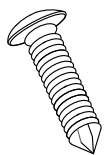
M4. 2X13

X8



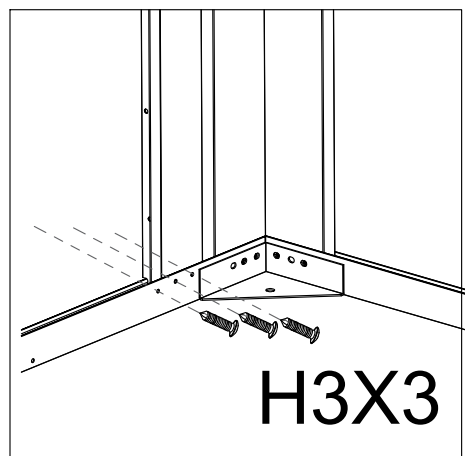
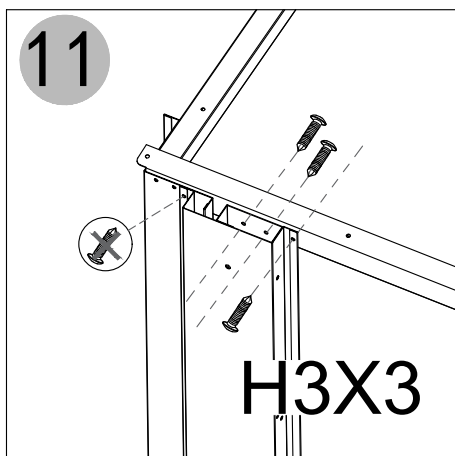
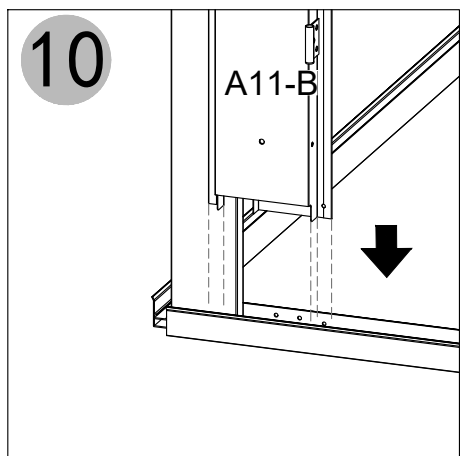
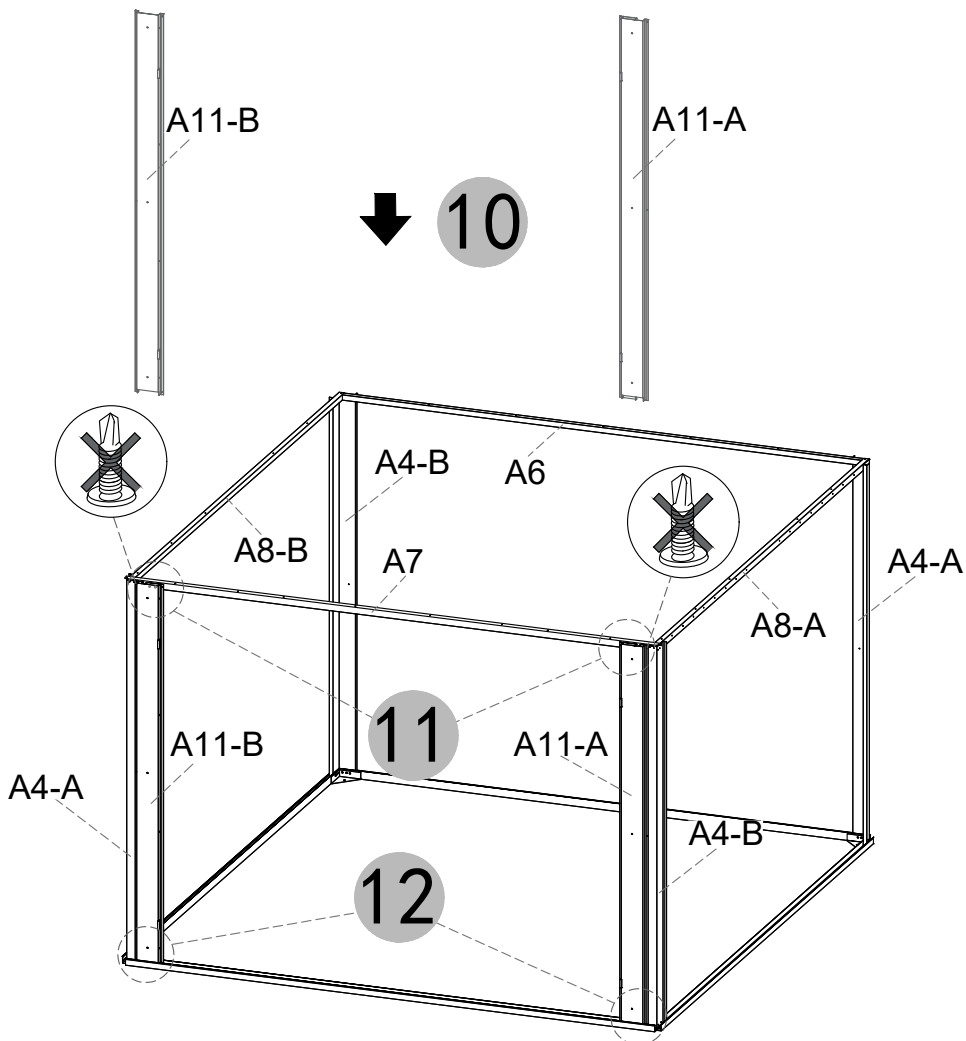
X4

# H3



M4. 2X13

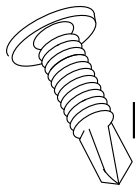
X12



X2

X2

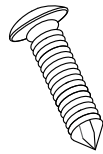
H1



M4. 2X13

X3

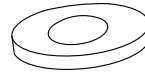
H3



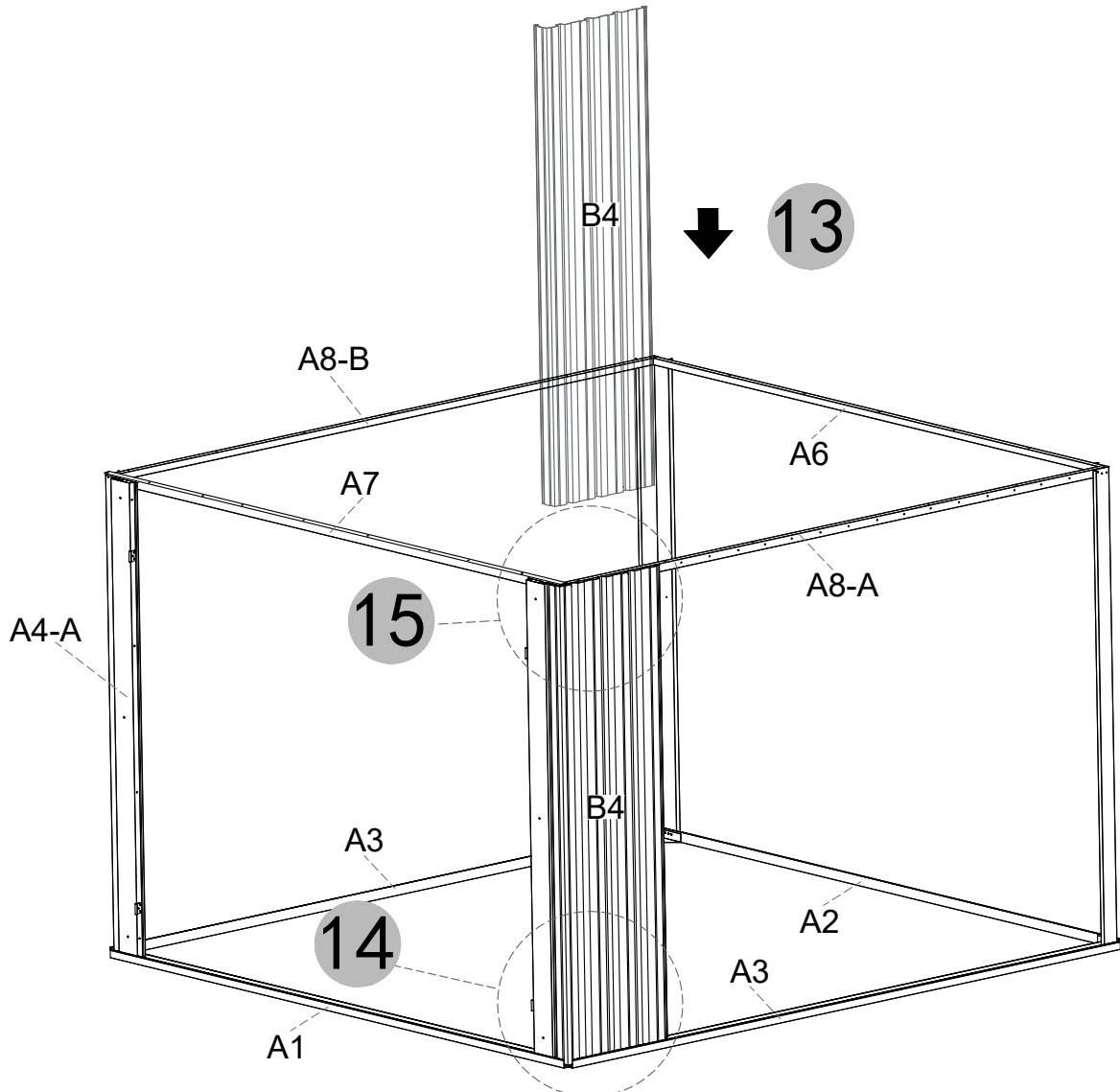
M4. 2X13

X1

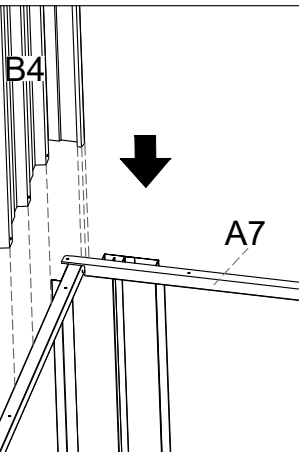
H7



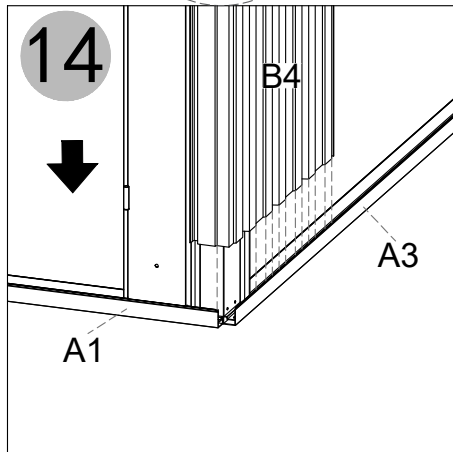
X3



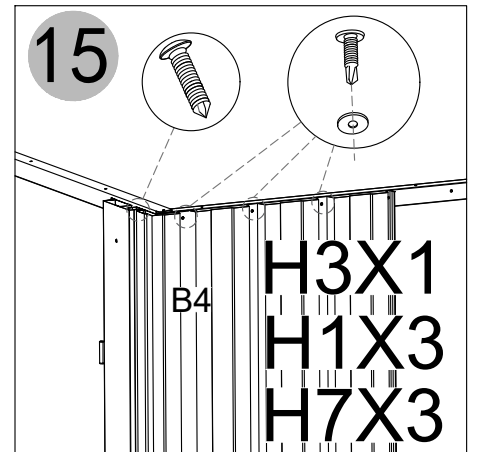
13



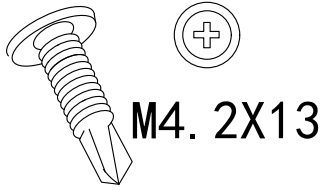
14



15



H1



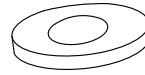
X3

H3

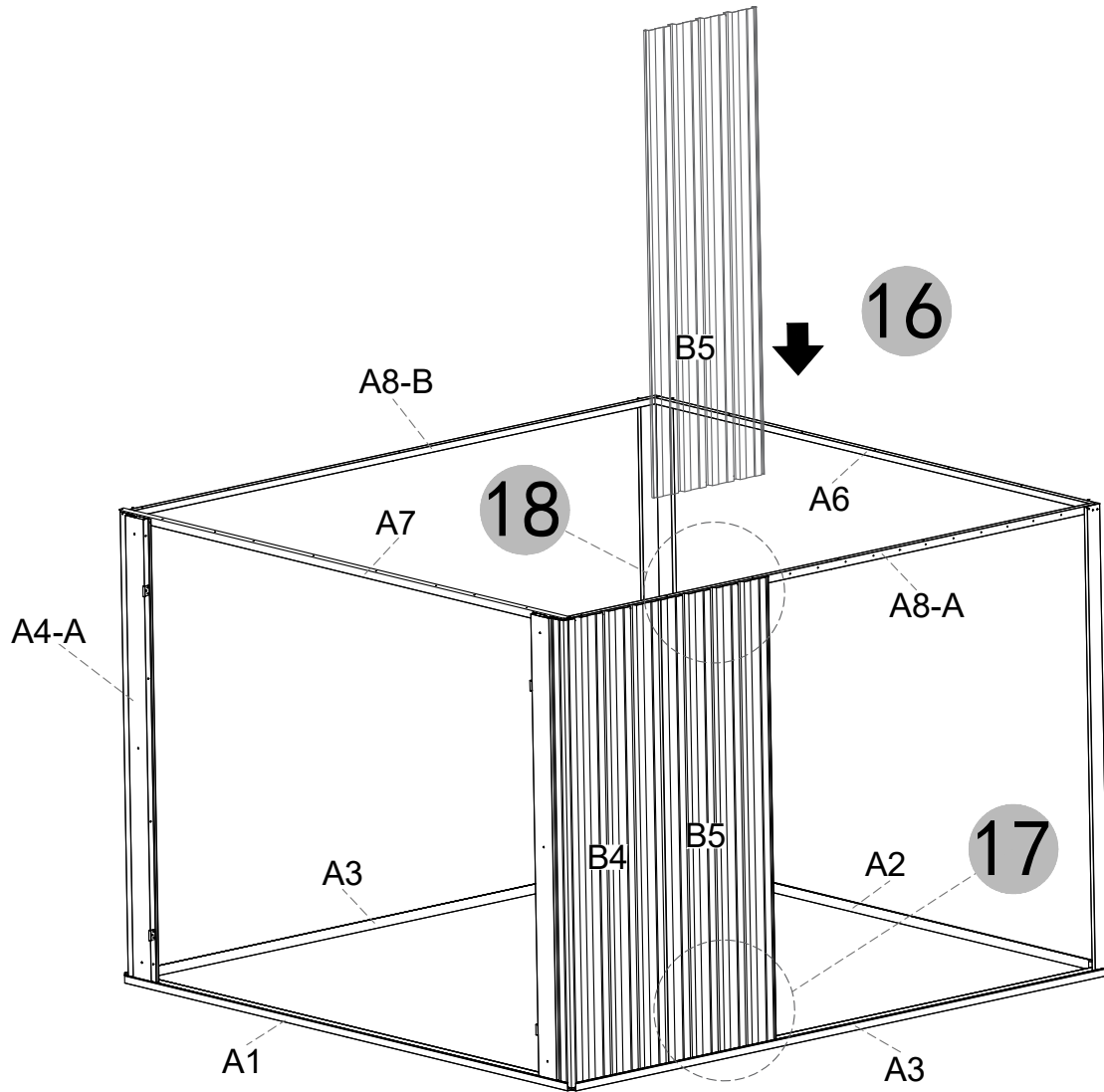


X1

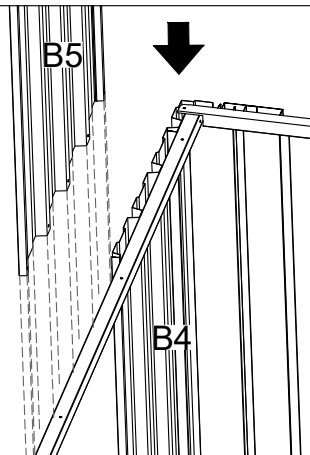
H7



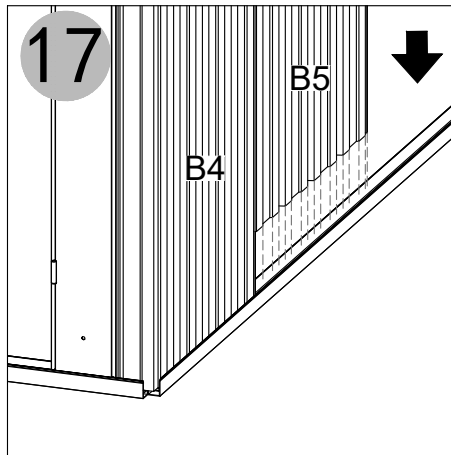
X3



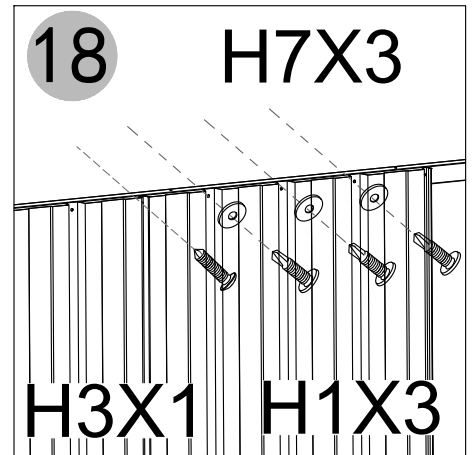
16



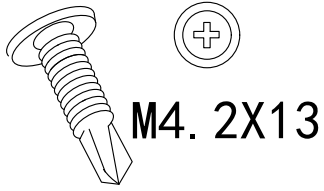
17



18



H1



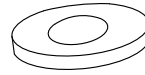
X4

H3

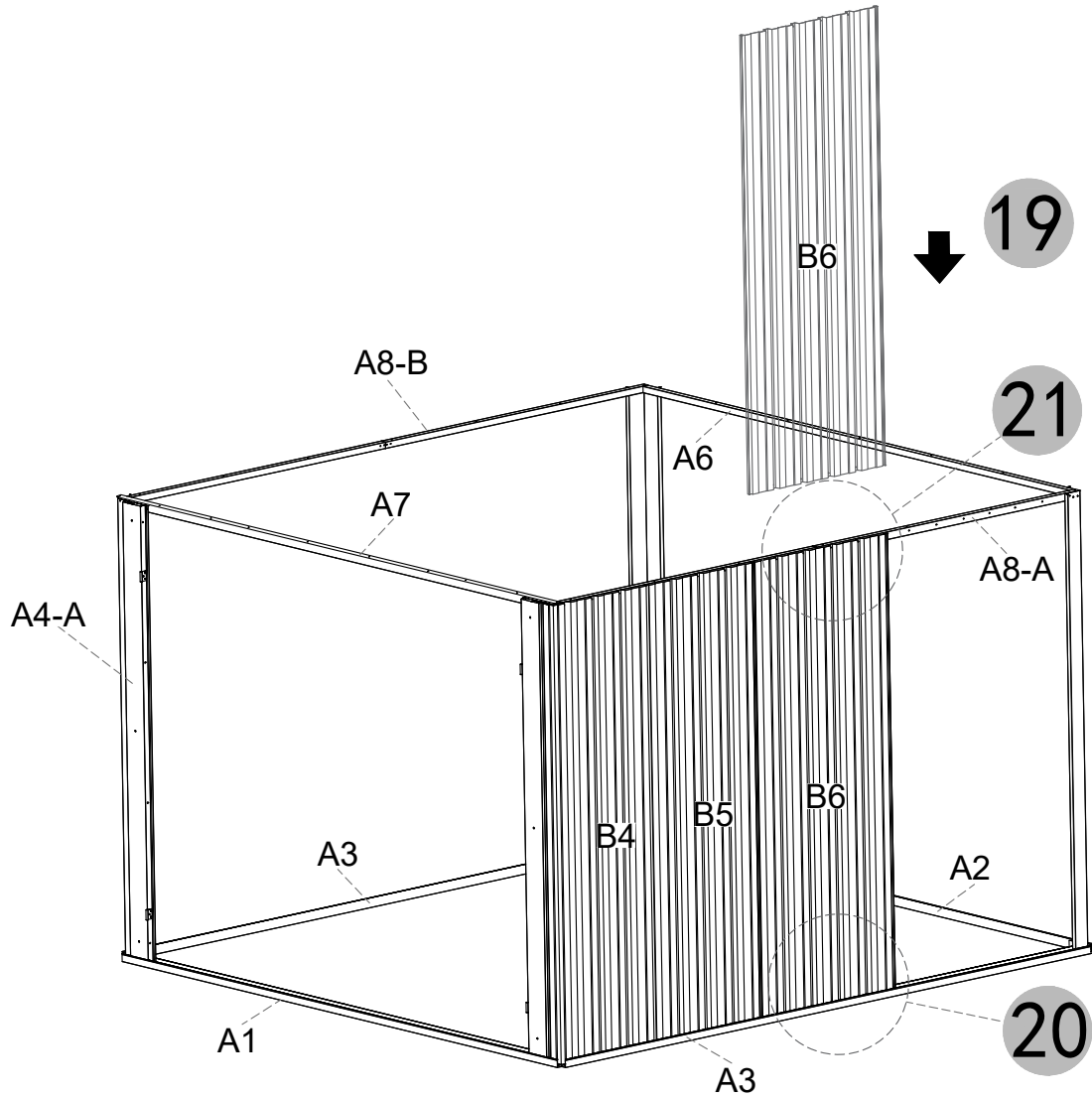


X1

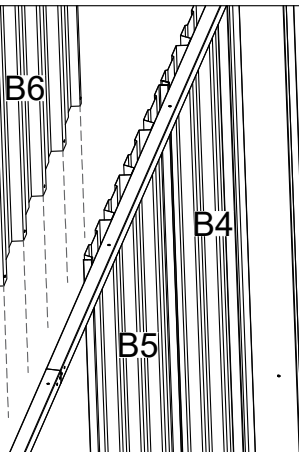
H7



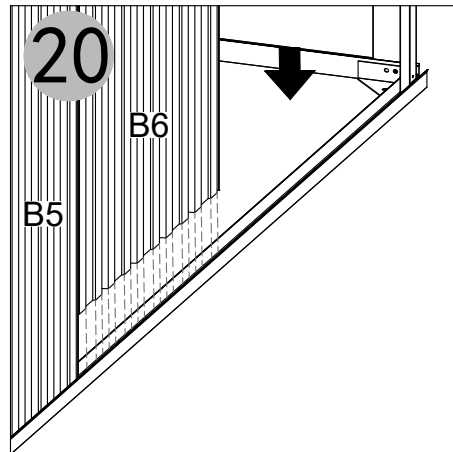
X4



19

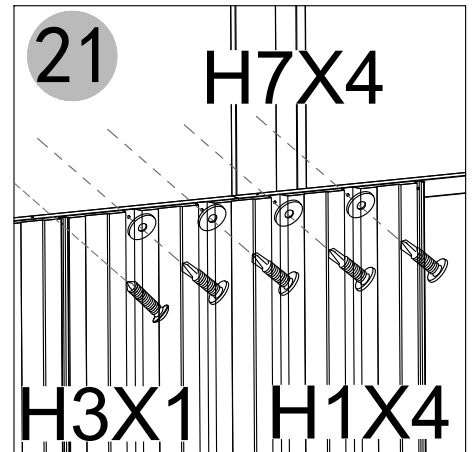


20

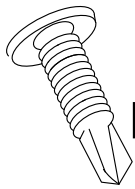


21

H7X4



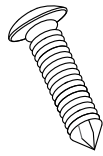
H1



M4. 2X13

X3

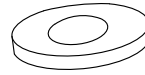
H3



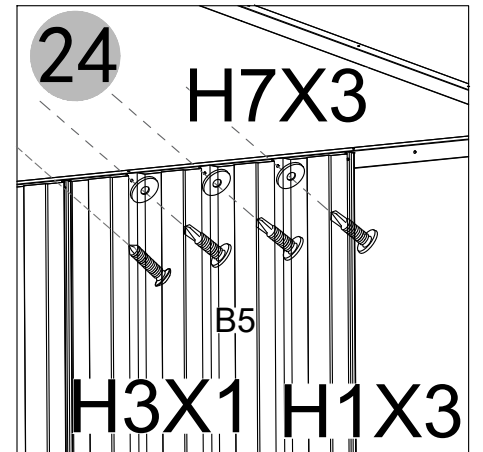
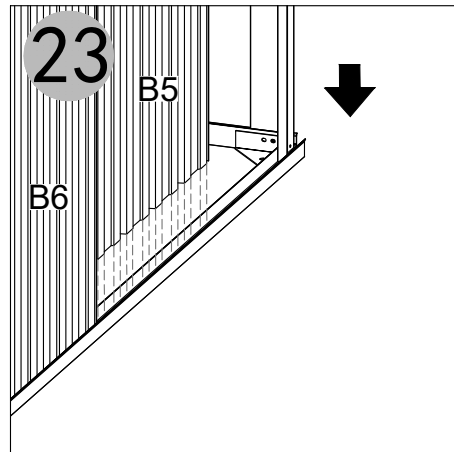
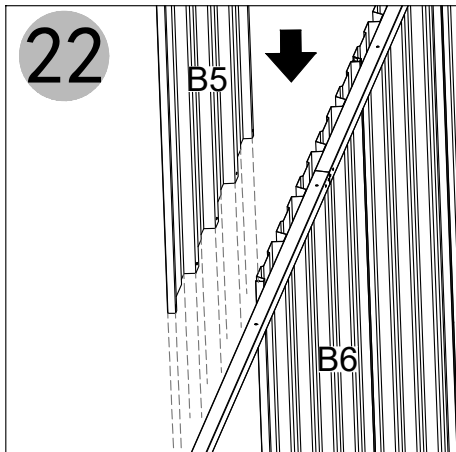
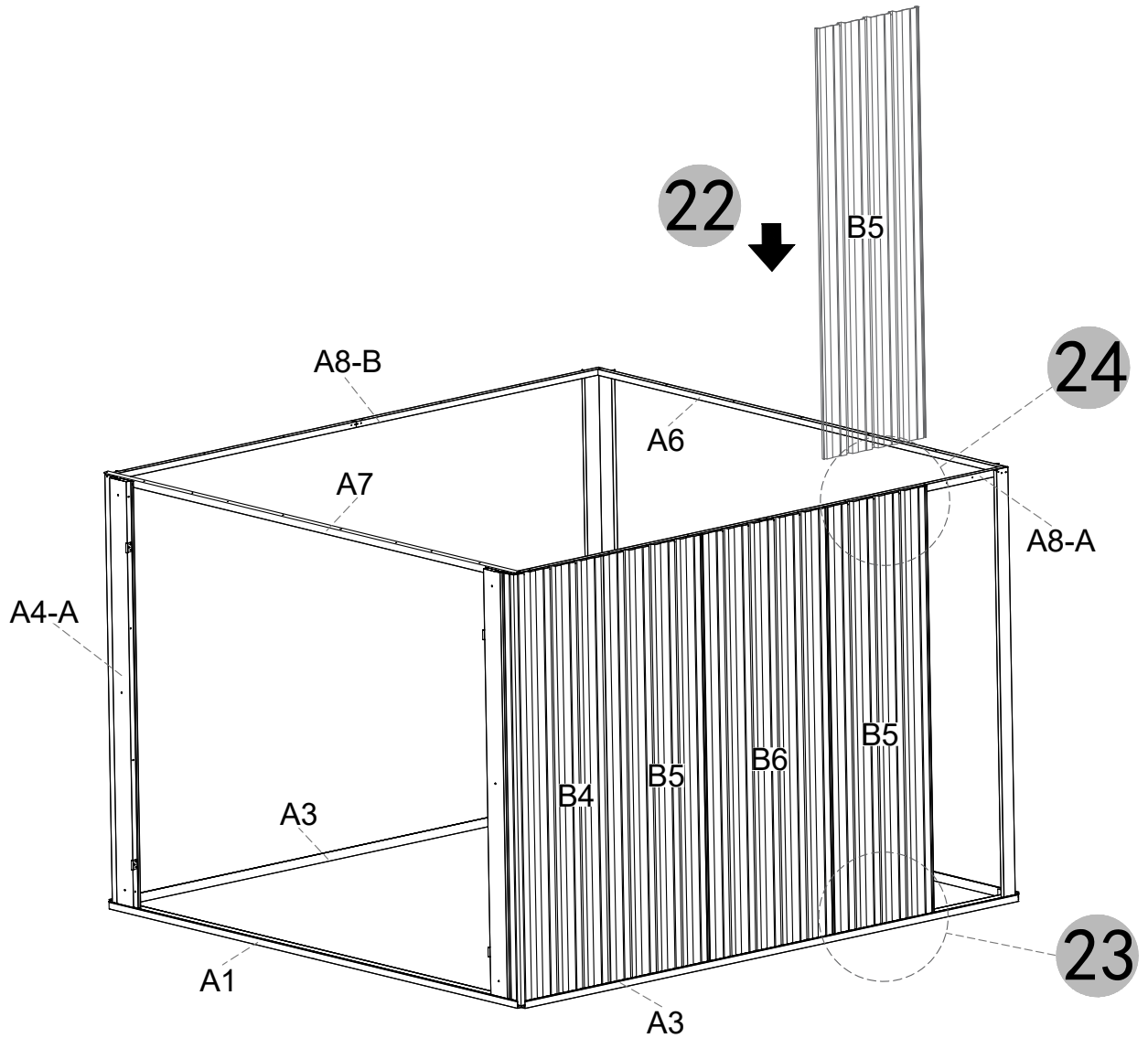
M4. 2X13

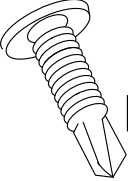
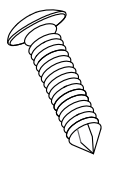

X1

H7

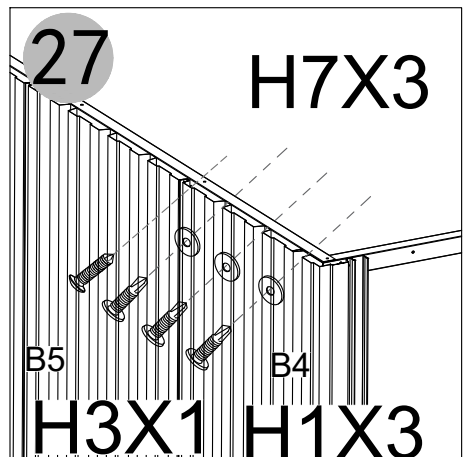
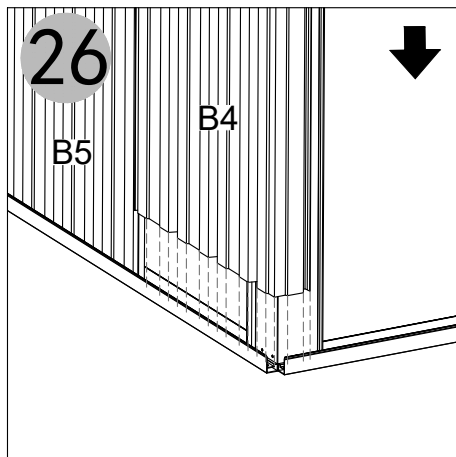
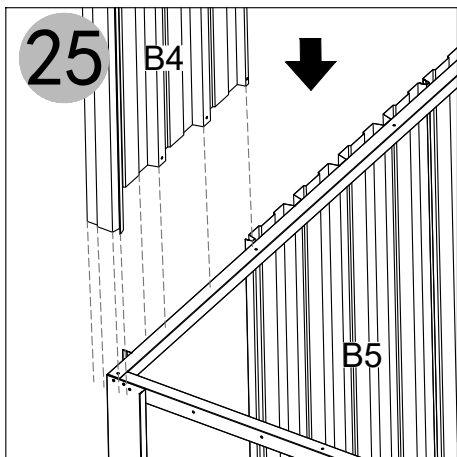
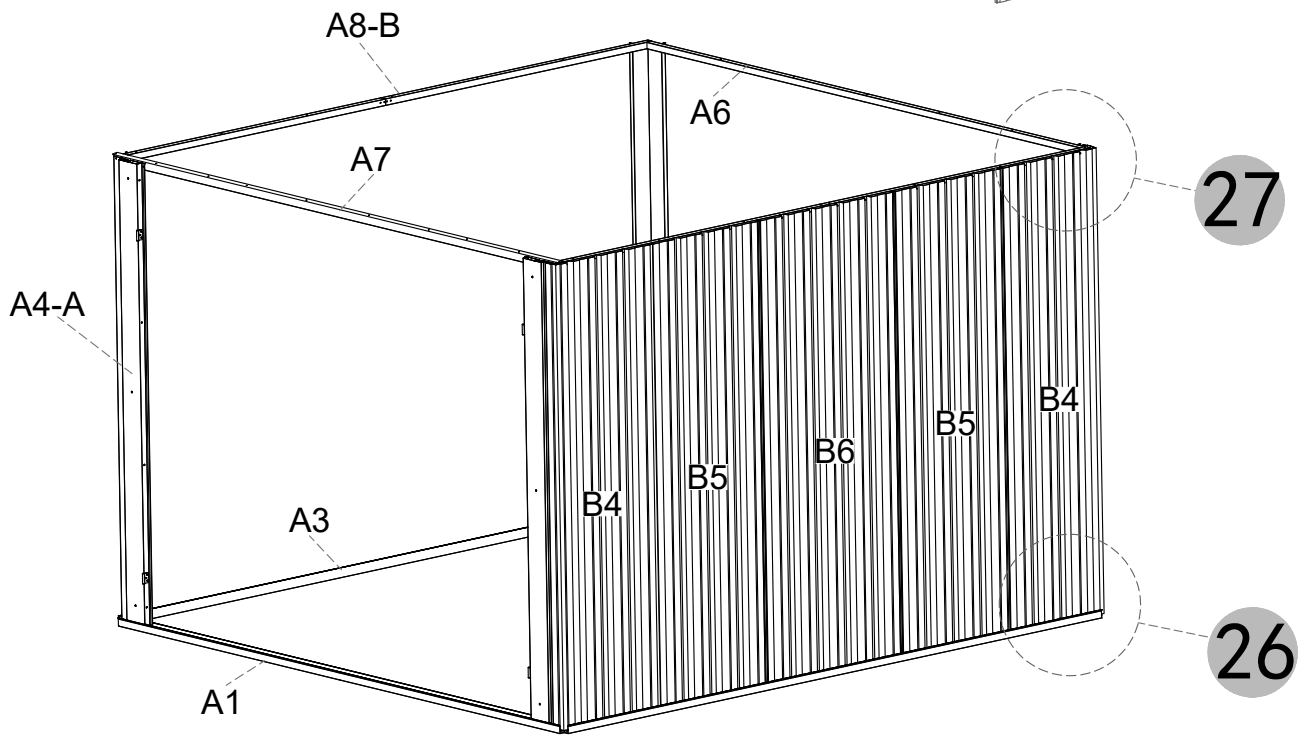
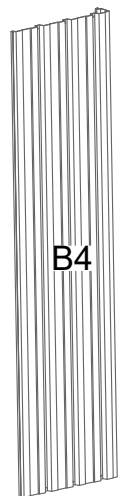


X3

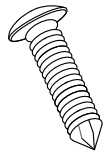


<p><b>H1</b></p>  <p>M4. 2X13</p> <p>X3</p>	<p><b>H3</b></p>  <p>M4. 2X13</p> <p>X1</p>	<p><b>H7</b></p>  <p>X3</p>
--	--	---

25 ↓



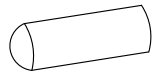
H3



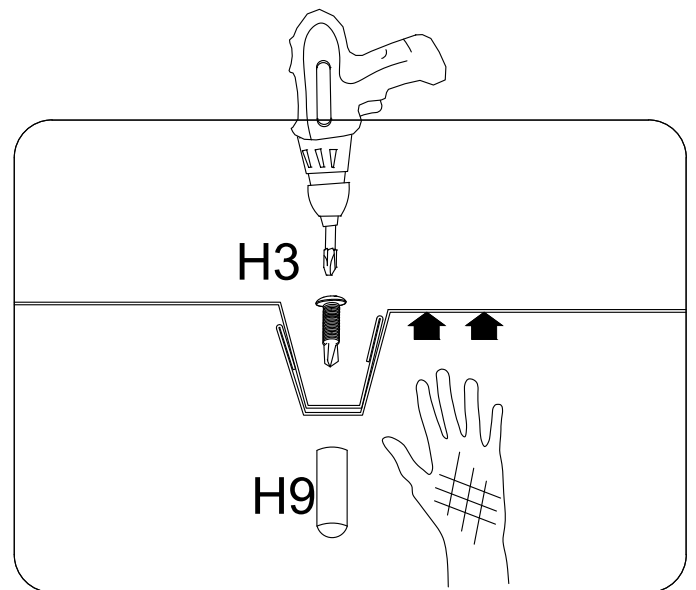
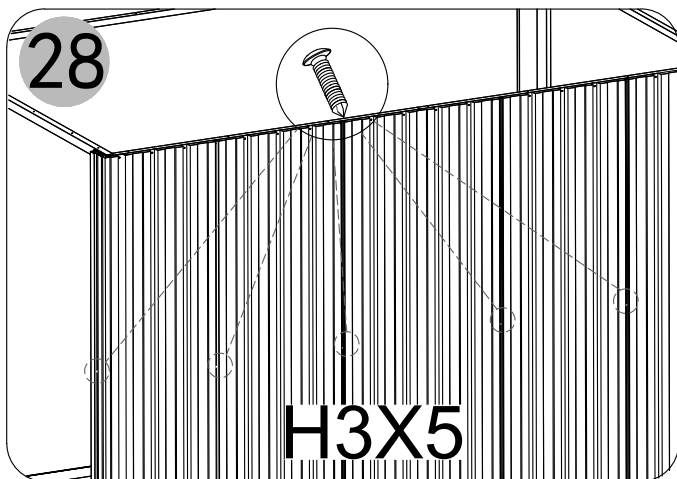
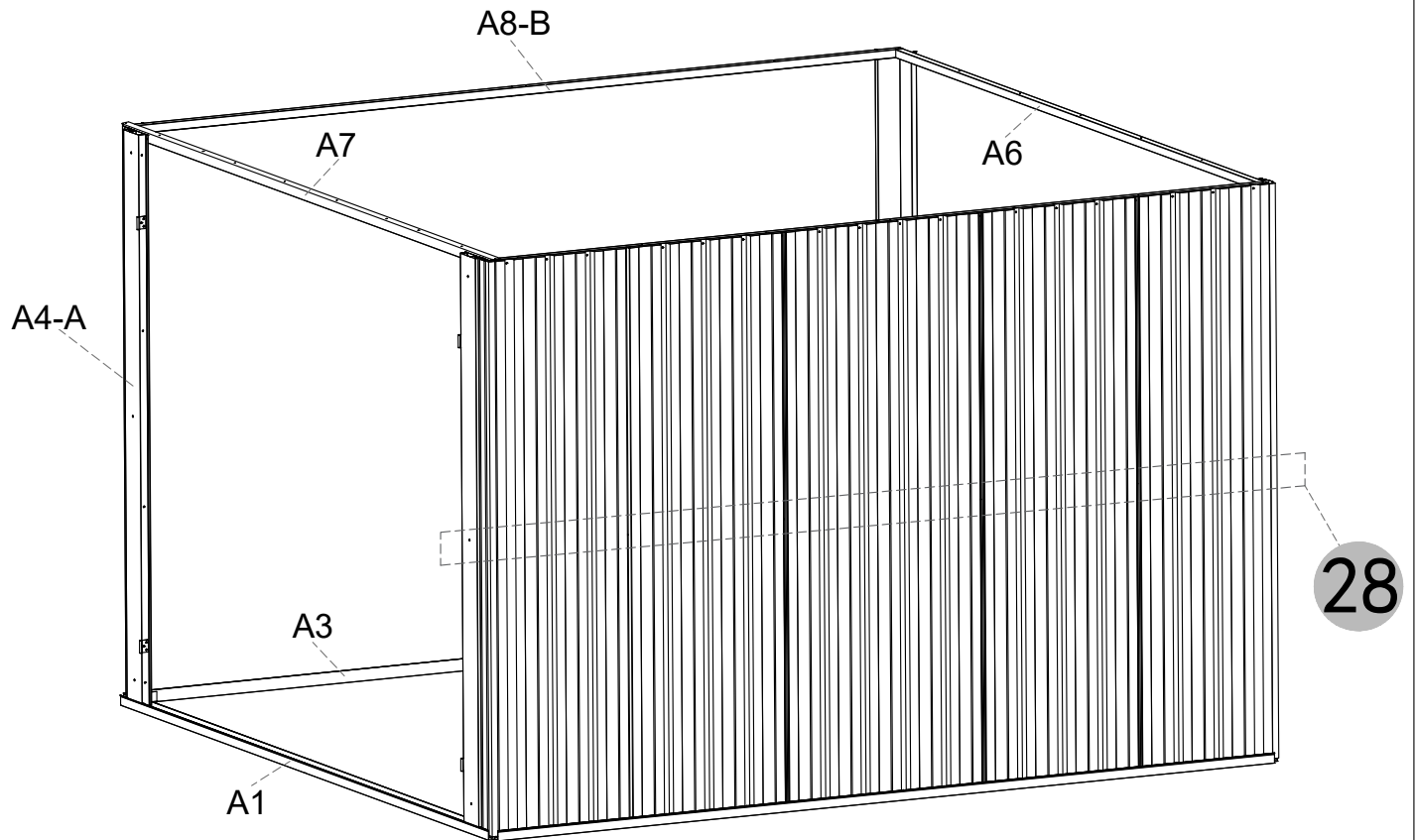
M4. 2X13

X5

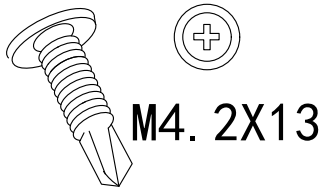
H9



X5

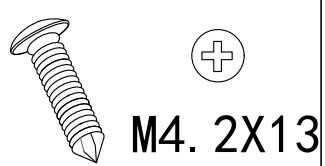


H1



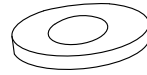
X16

H3



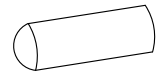
X10

H7

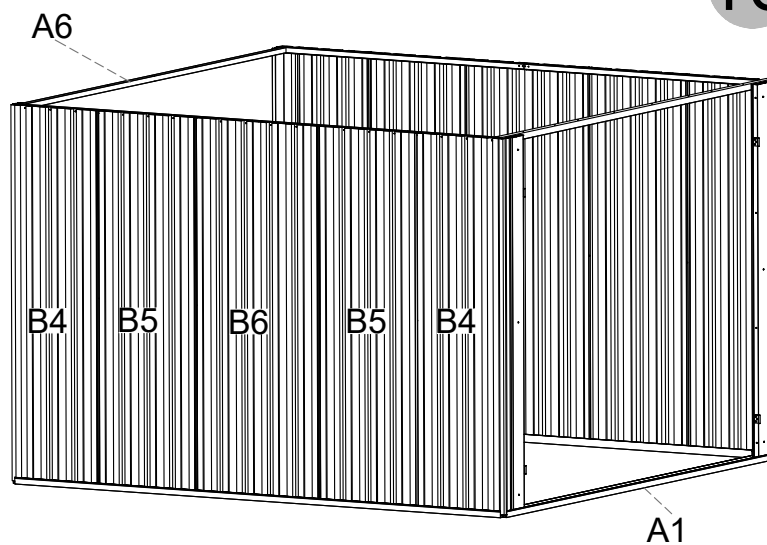
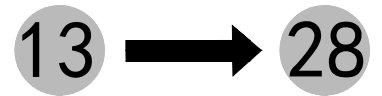
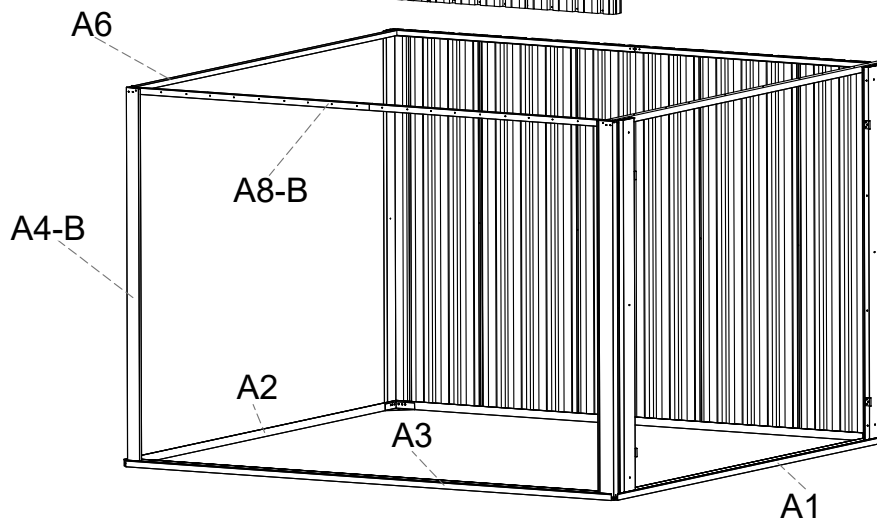
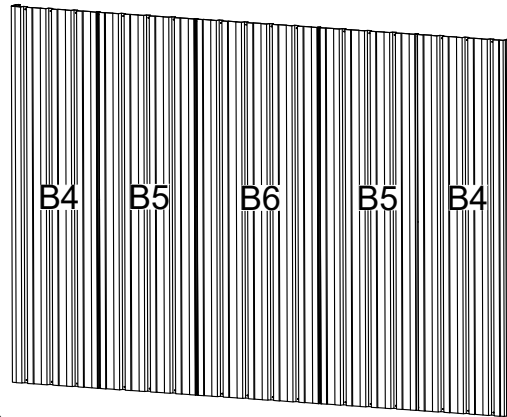


X16

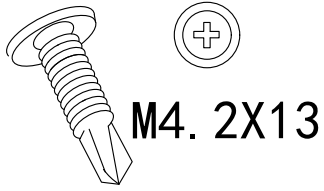
H9



X5



H1



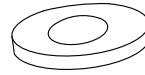
X4

H3



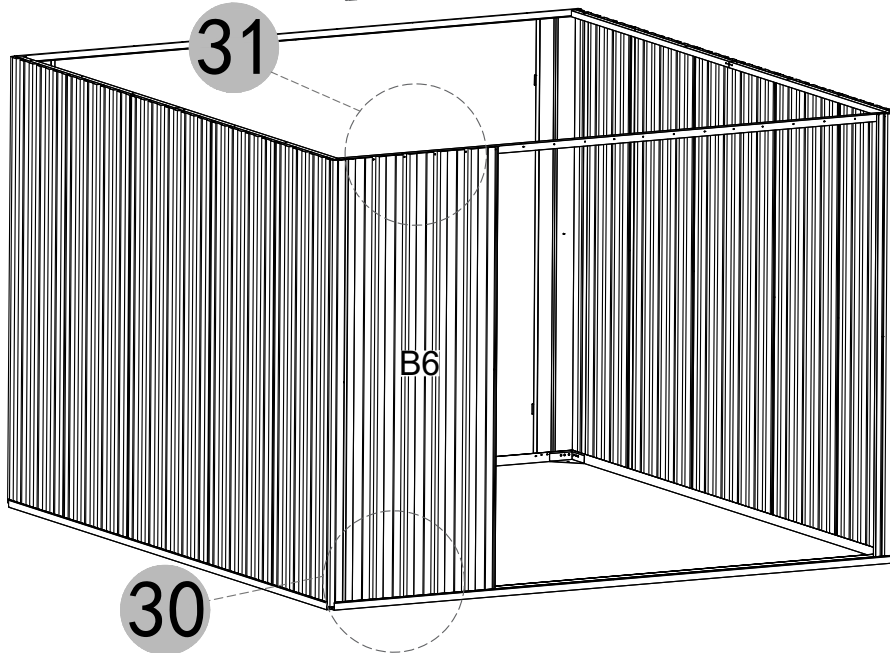
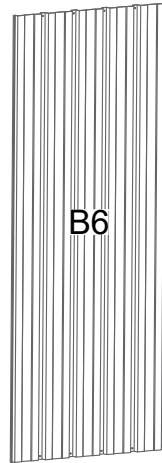
X1

H7

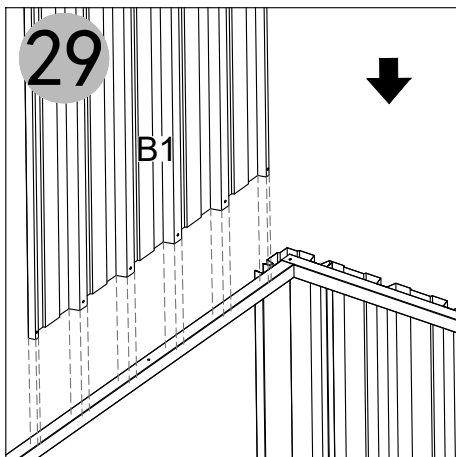


X4

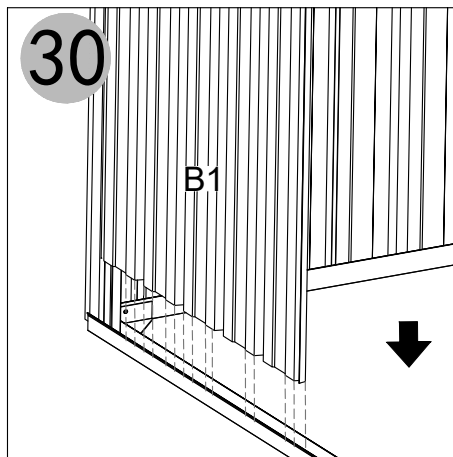
29 ↓



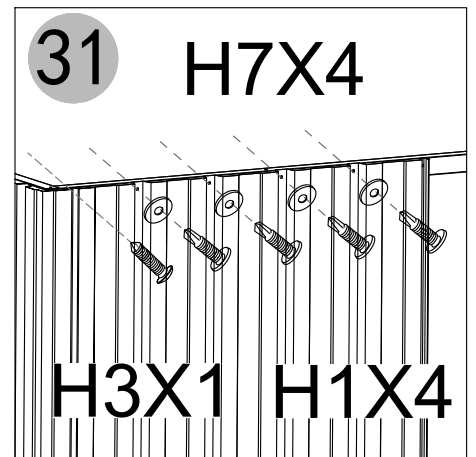
29



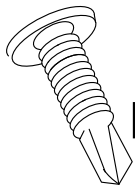
30



31



H1



M4. 2X13

X4

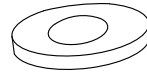
H3



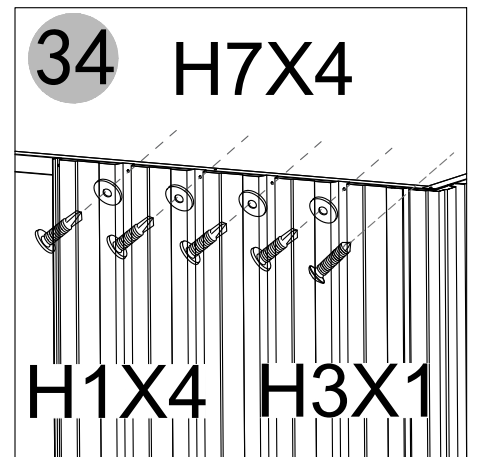
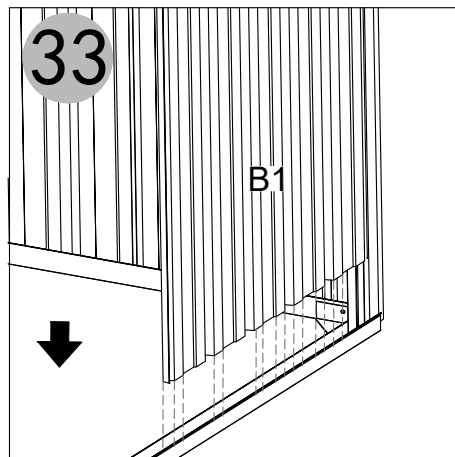
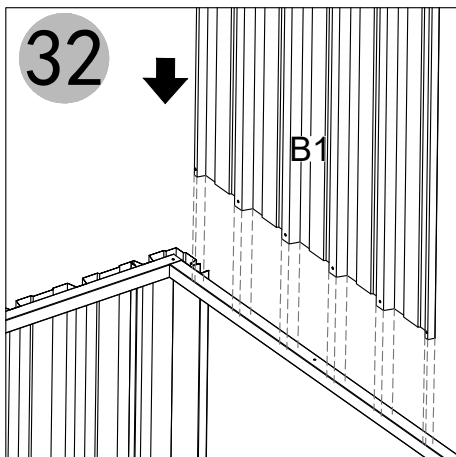
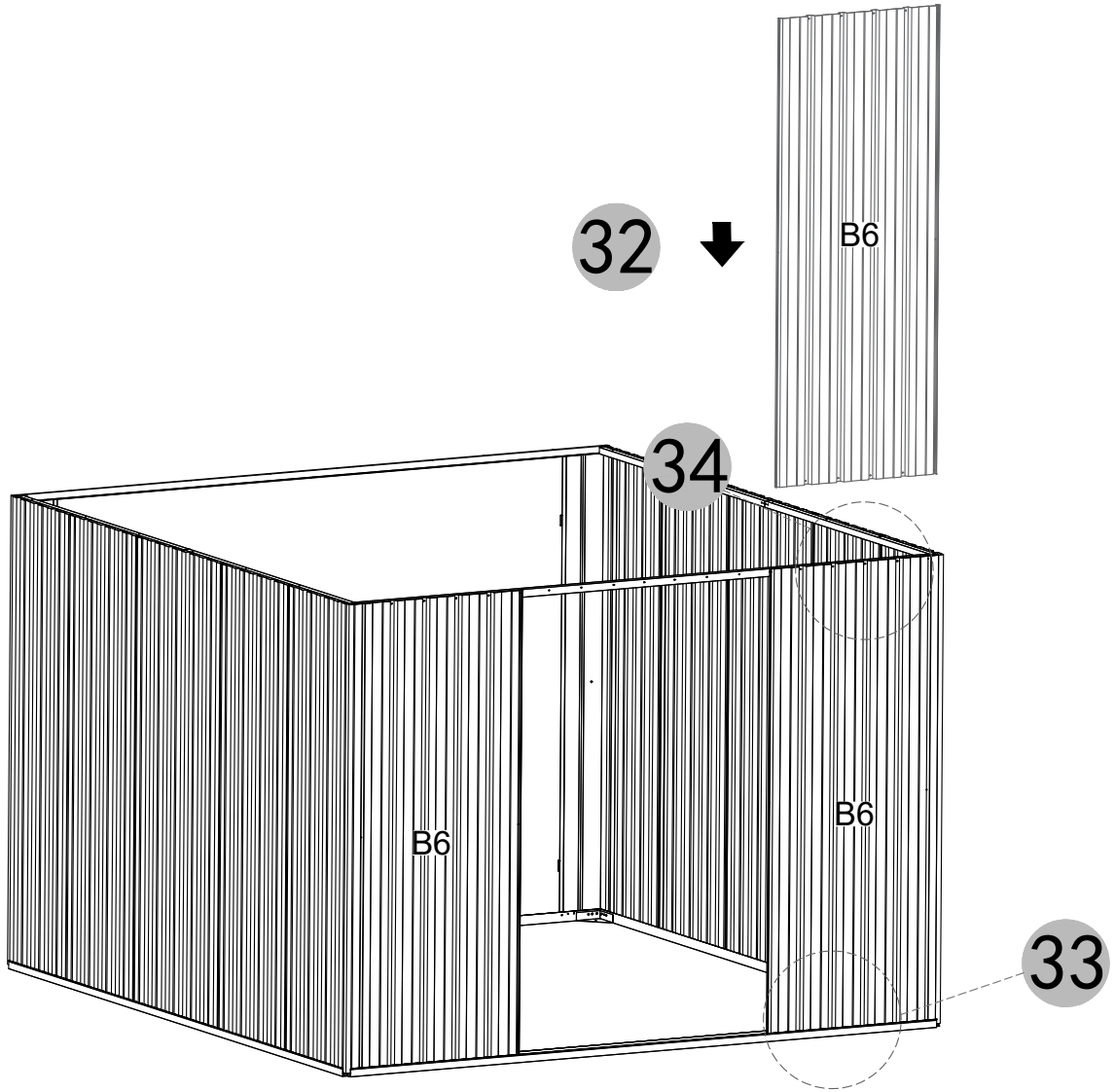
M4. 2X13

X1

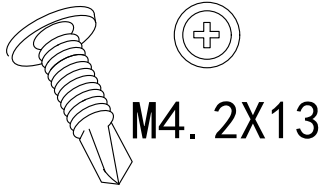
H7



X4



H1



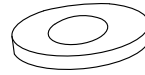
X3

H3



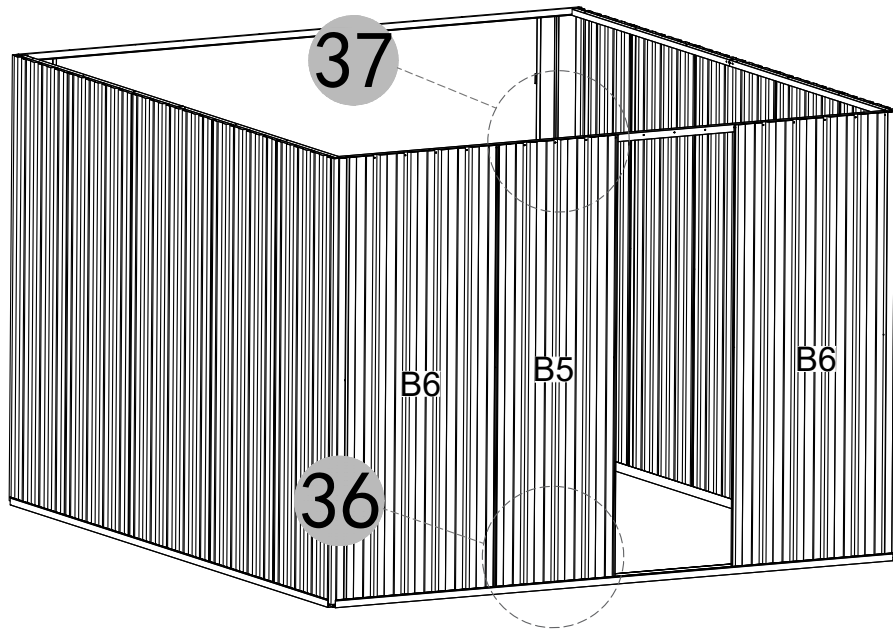
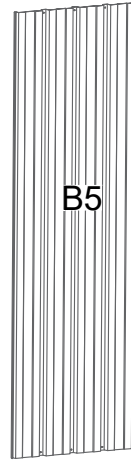
X1

H7

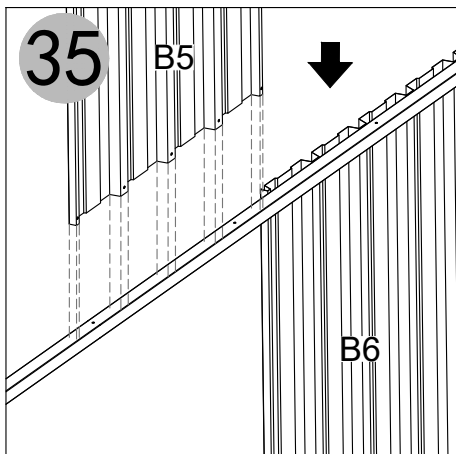


X3

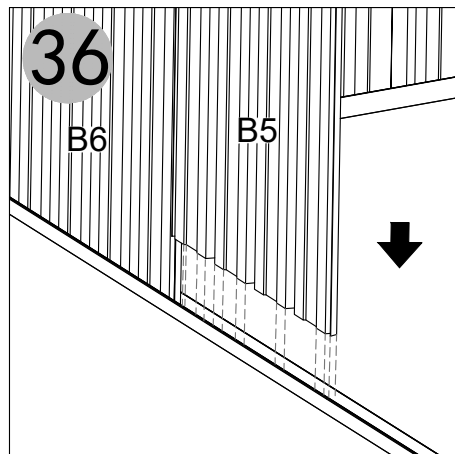
35 ↓



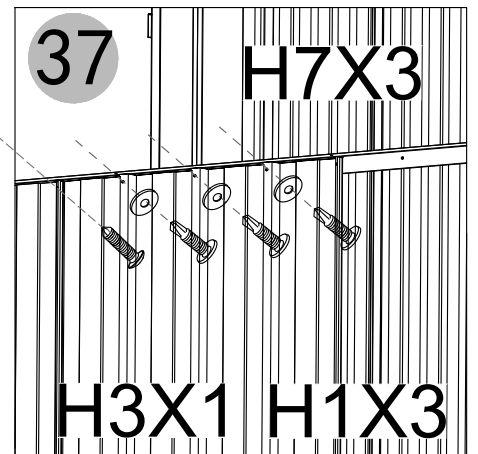
35



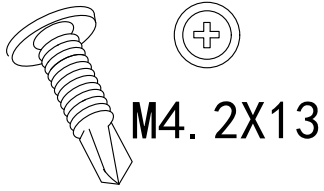
36



37

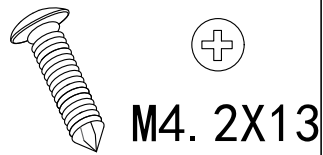


H1



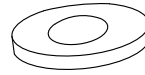
X3

H3



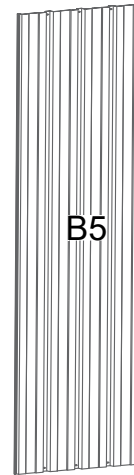
X1

H7

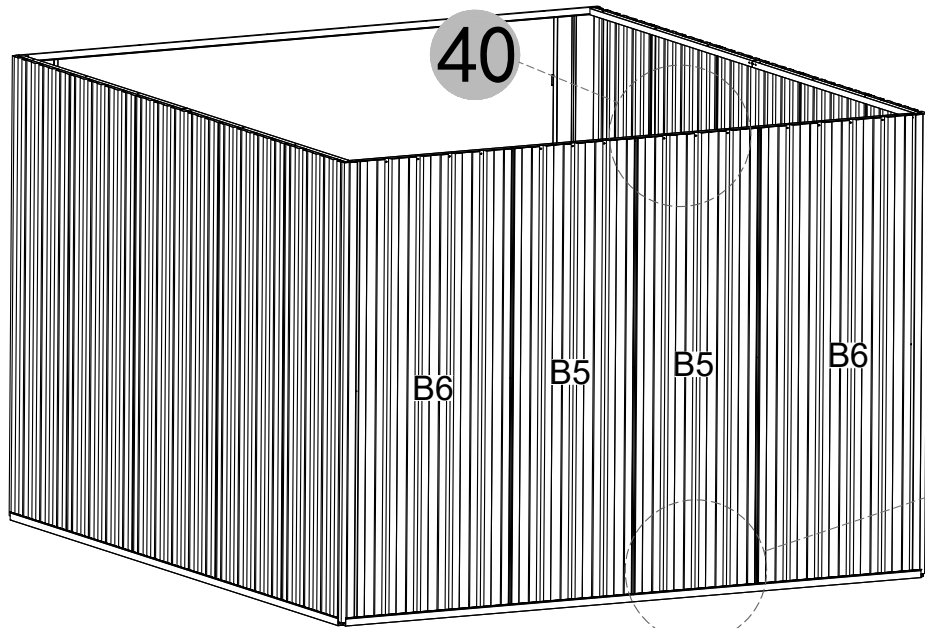


X3

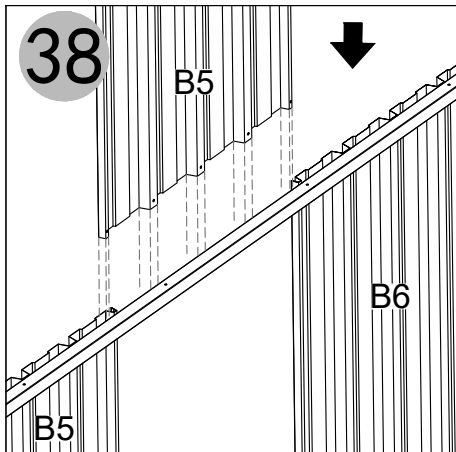
38 ↓



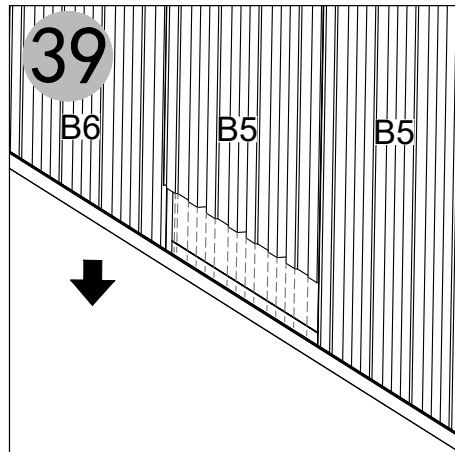
40



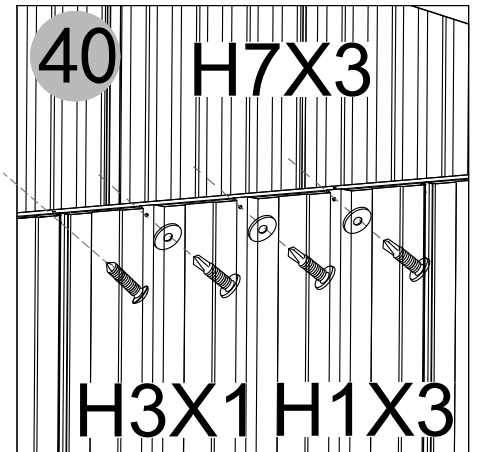
38



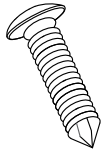
39



40

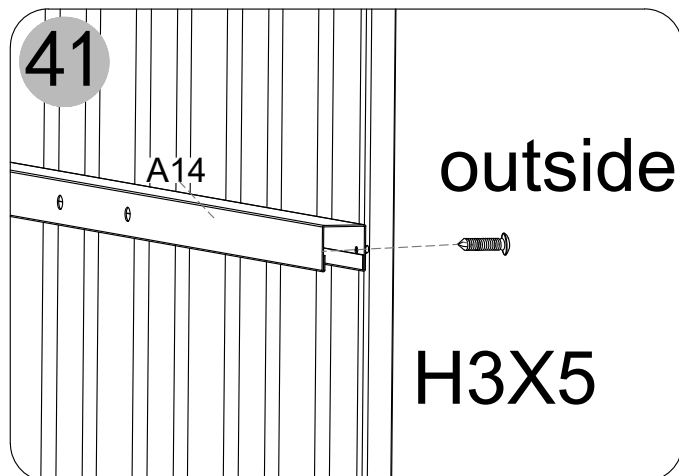
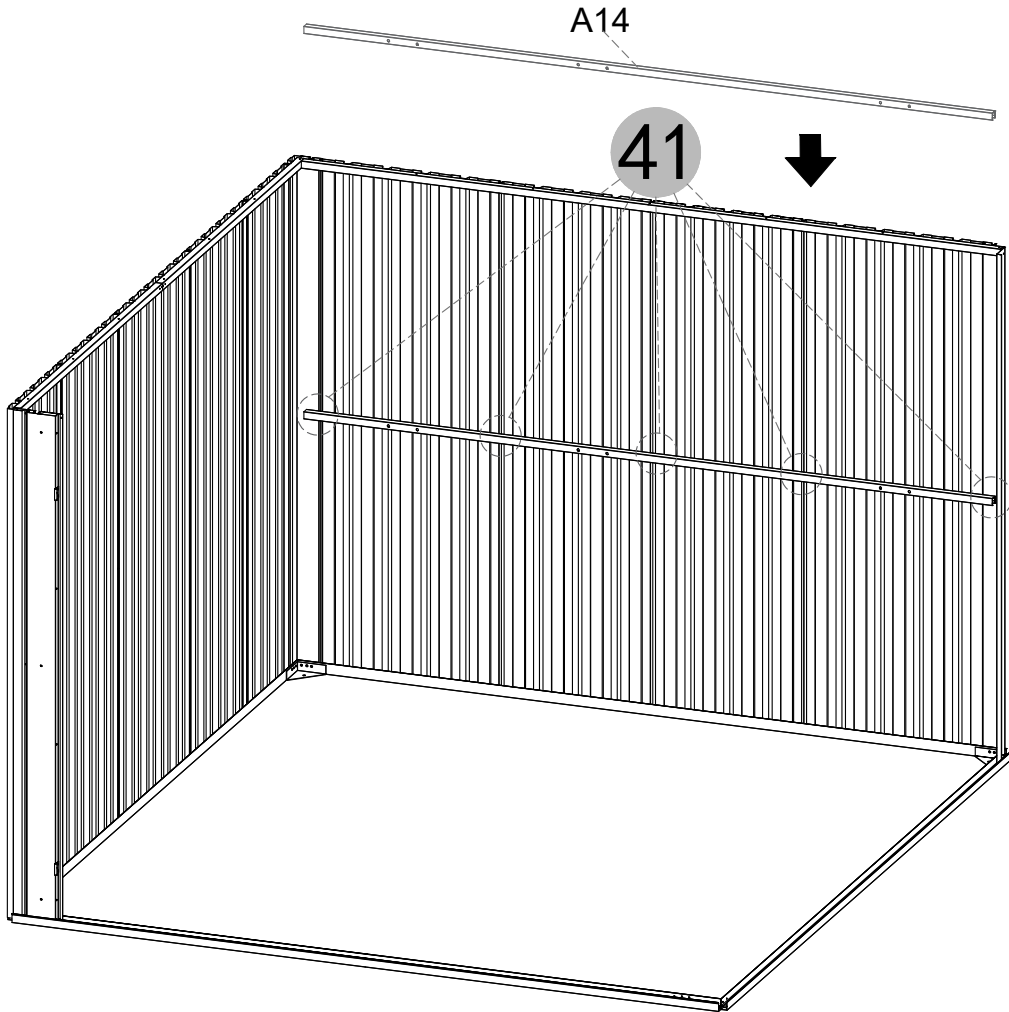


H3



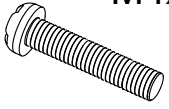
M4. 2X13

X5

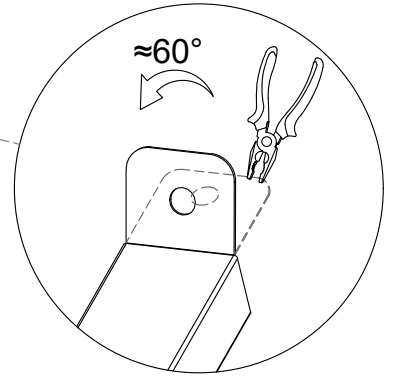


H4

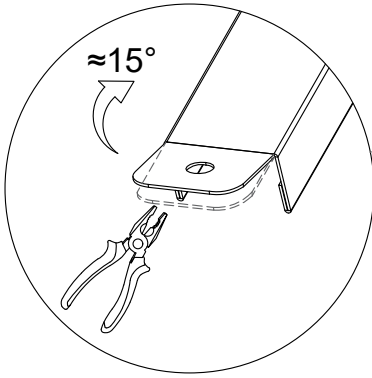
M4X10



X6



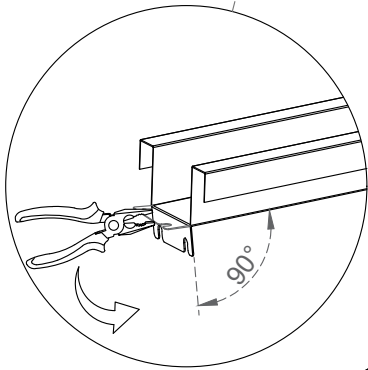
A15



A16



A15



A16

42

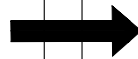
42

A15 A15

A16

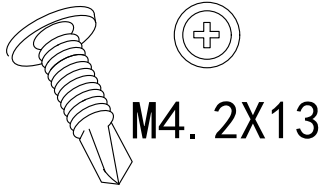
H4X2

X3



X3

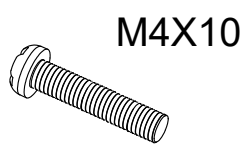
H1



M4. 2X13

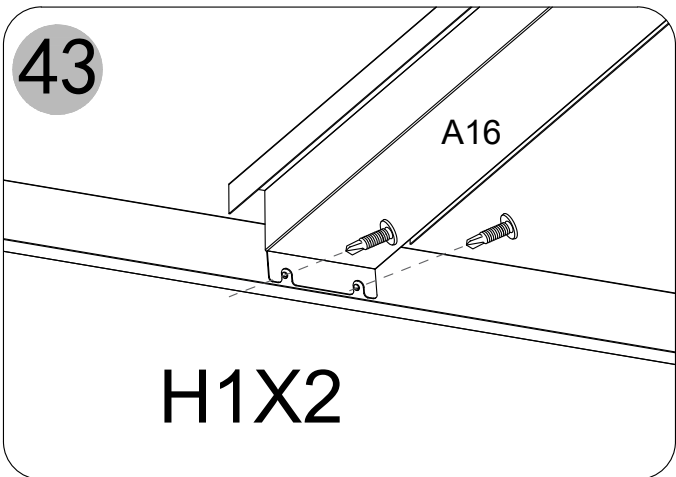
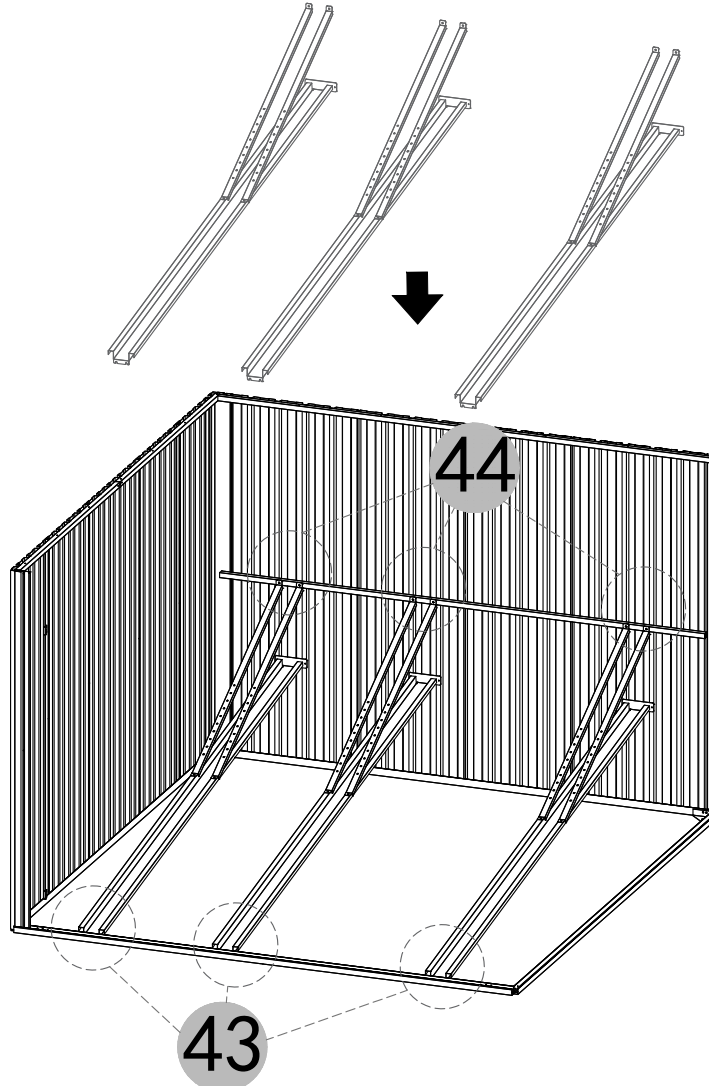
X6

H4



M4X10

X6

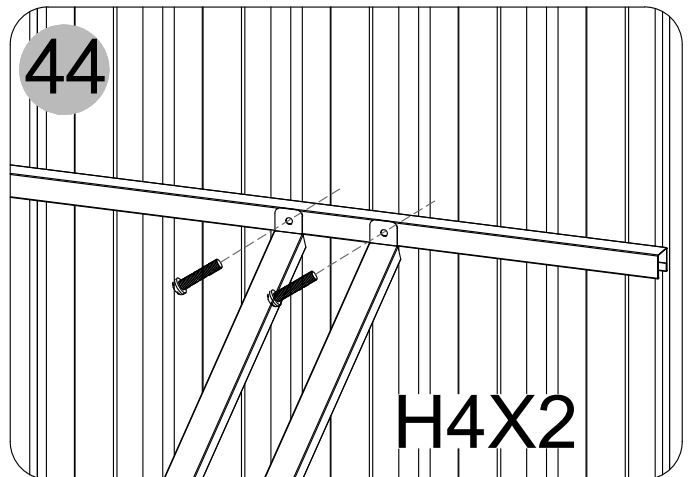


43

A16

H1X2

X3



44

H4X2

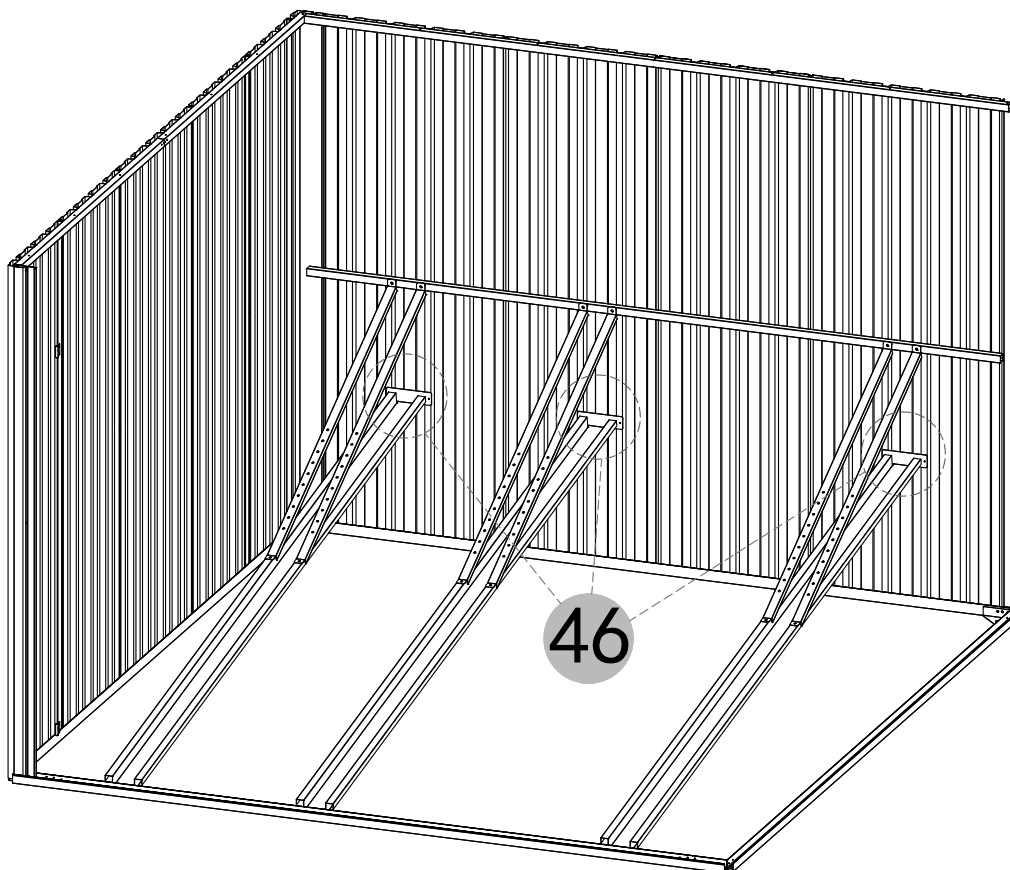
X3

H3

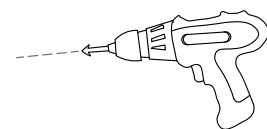


M4. 2X13

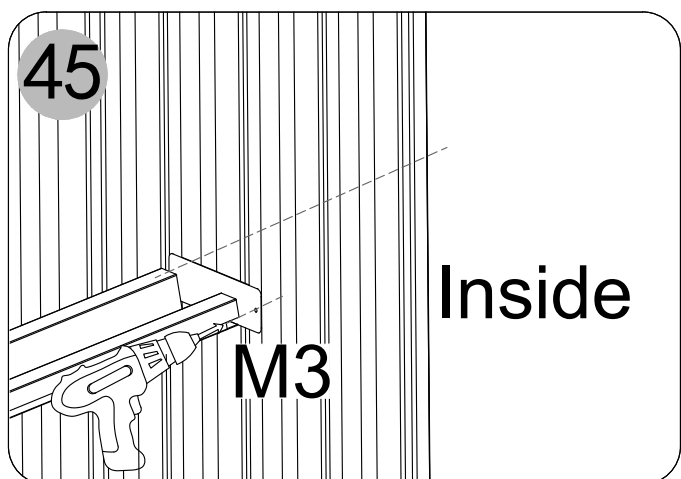
X6



45



46

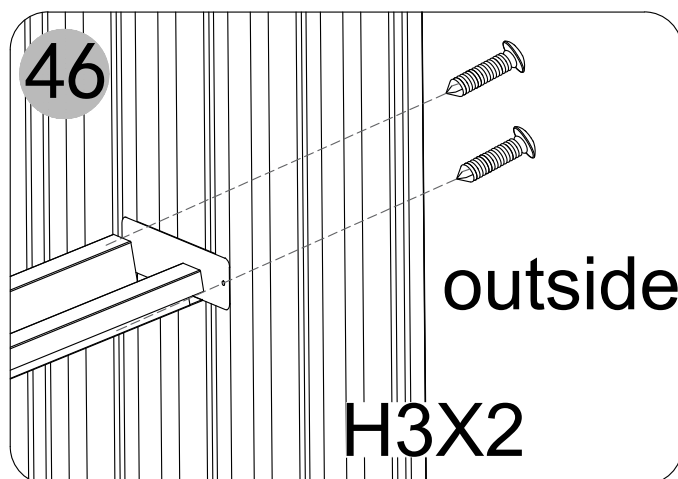


45

Inside

M3

X3



46

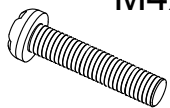
outside

H3X2

X3

H4

M4X10



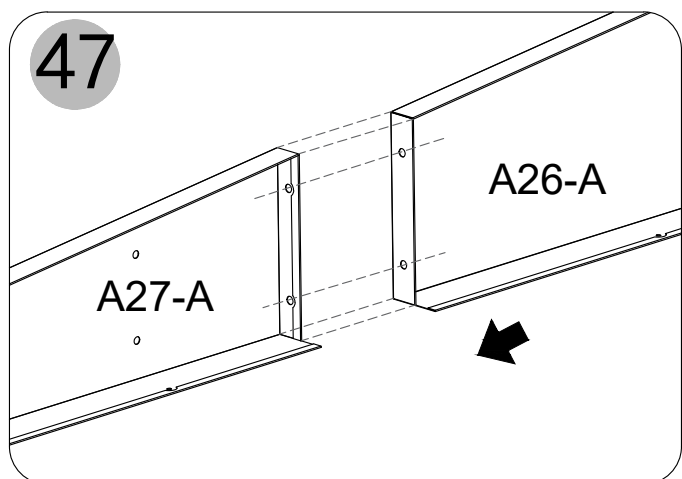
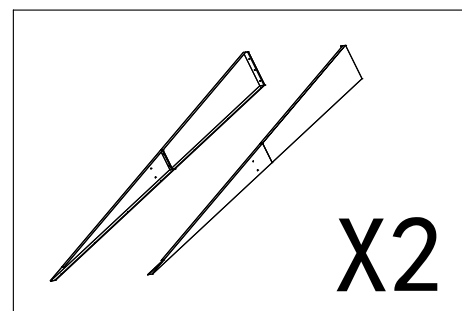
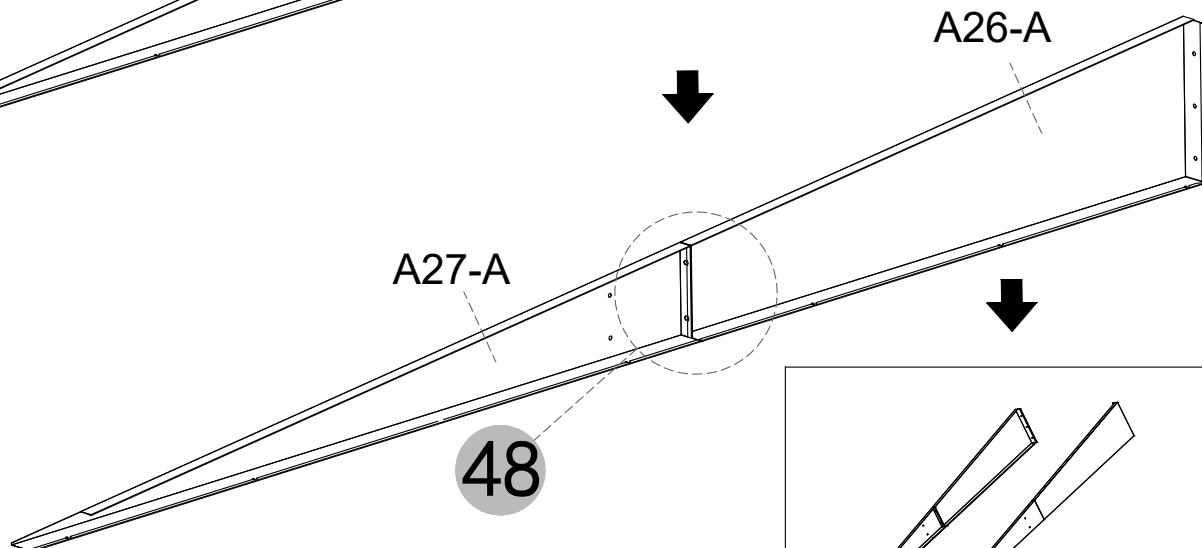
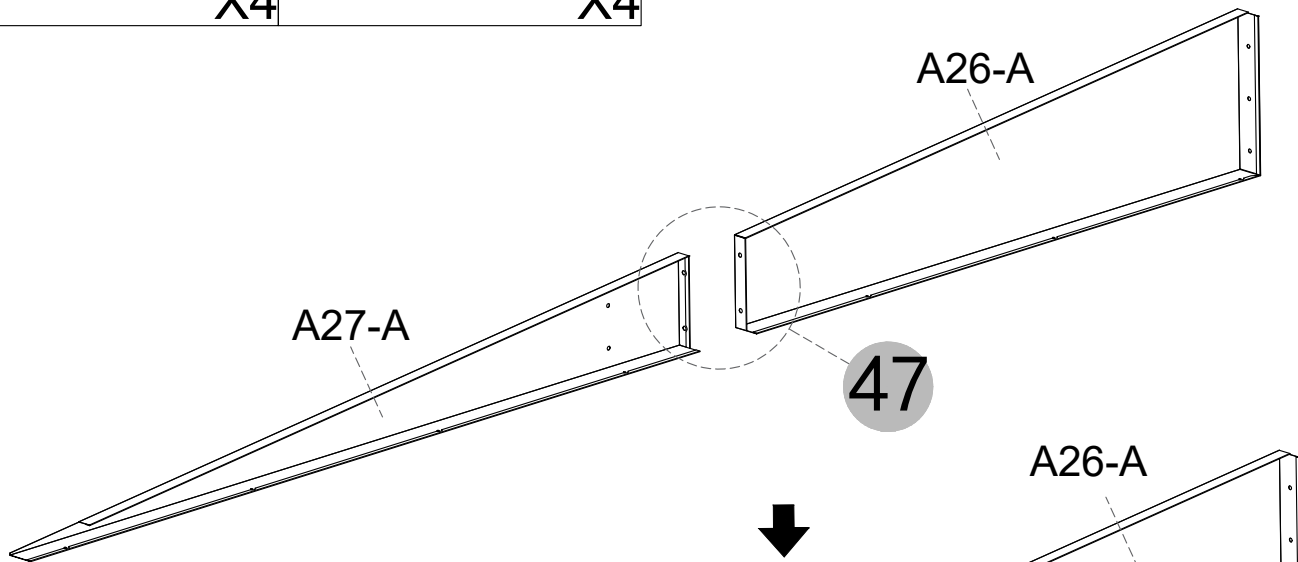
X4

H5

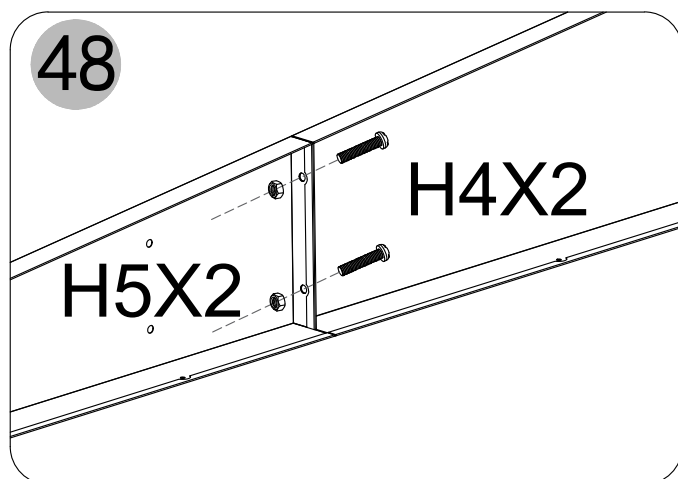


M4

X4



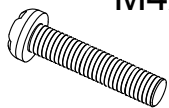
X2



X2

H4

M4X10



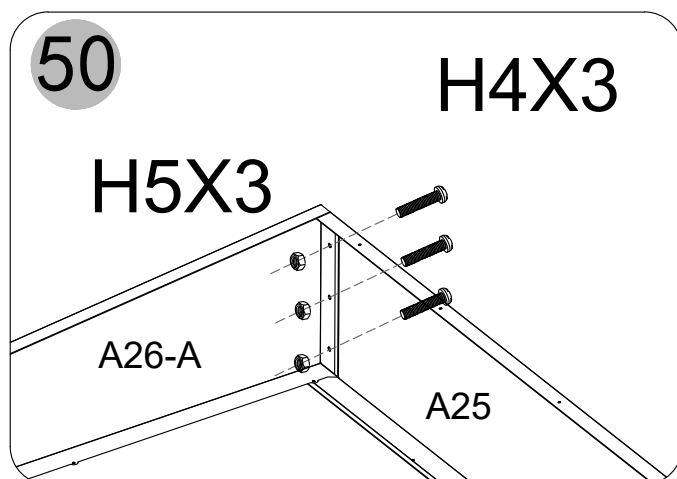
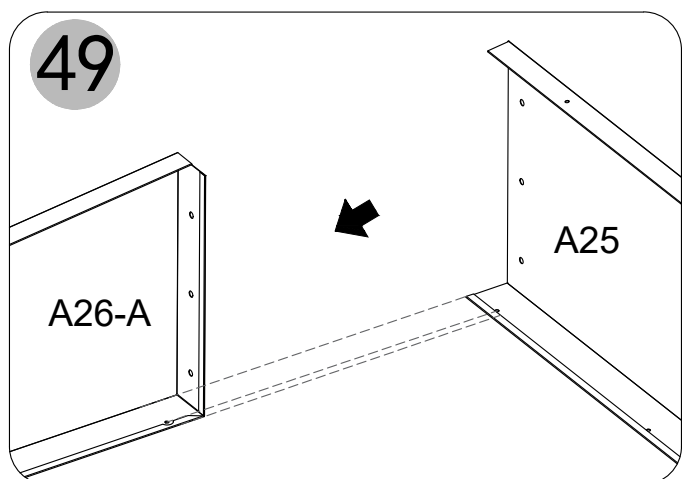
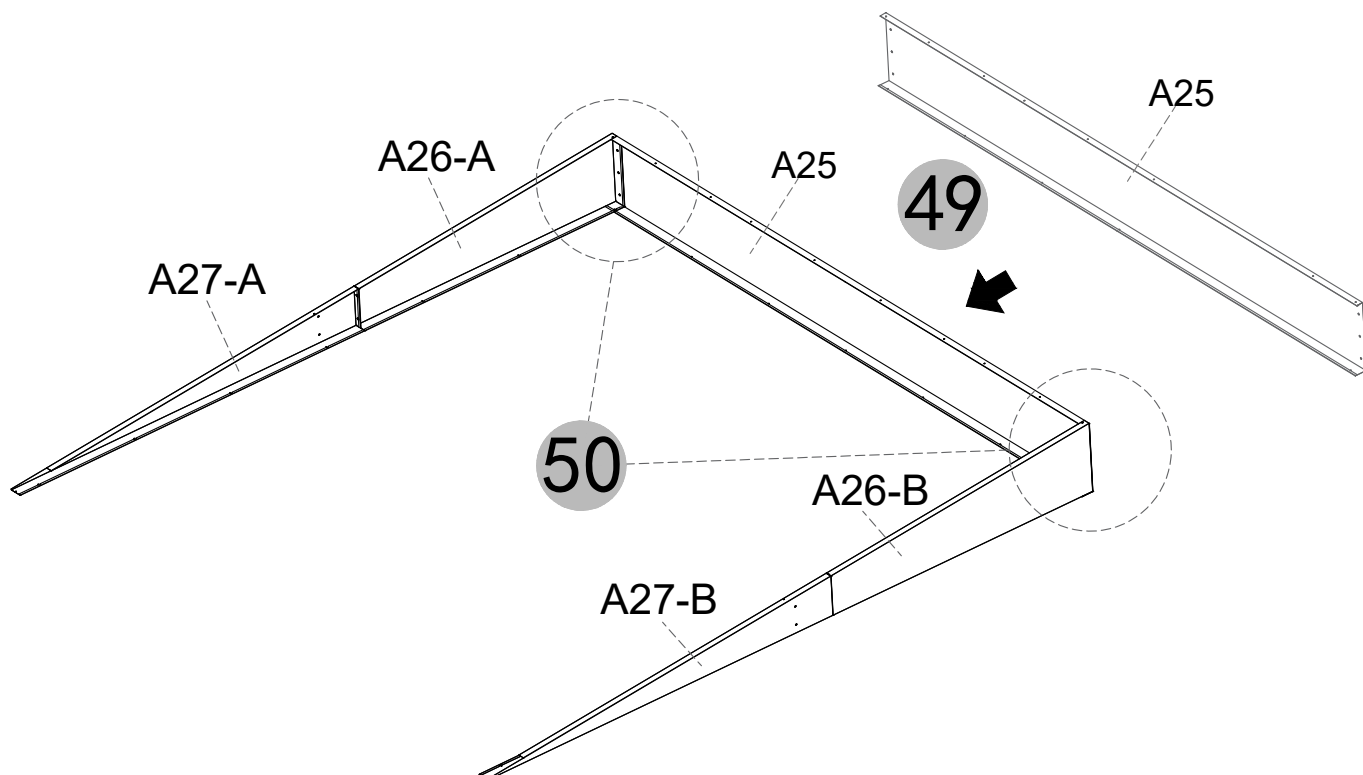
X6

H5

M4

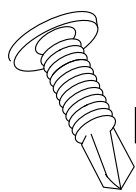


X6



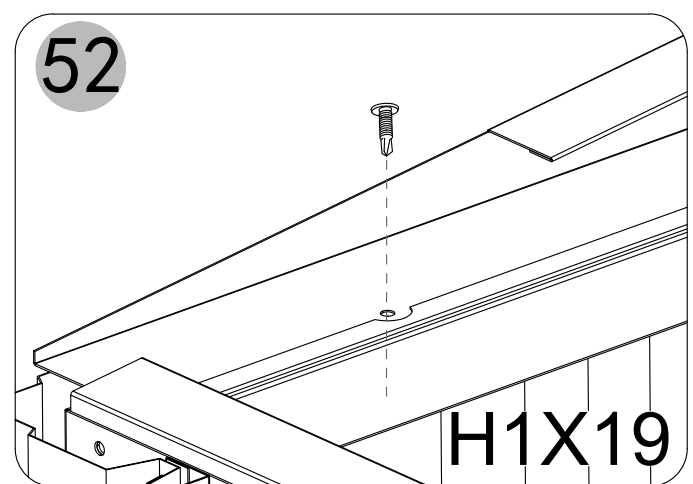
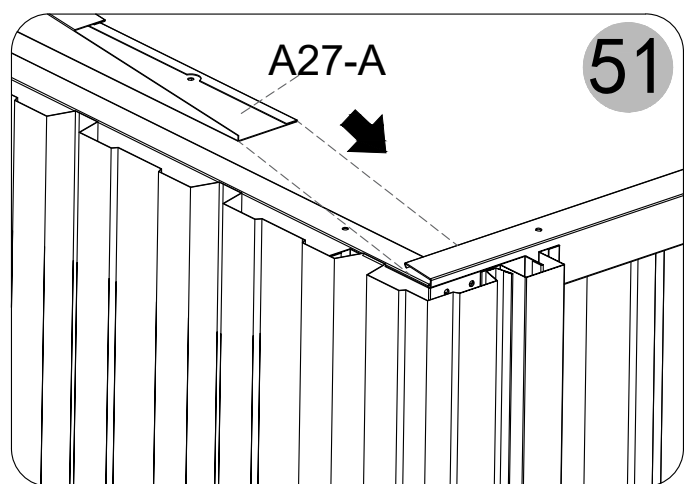
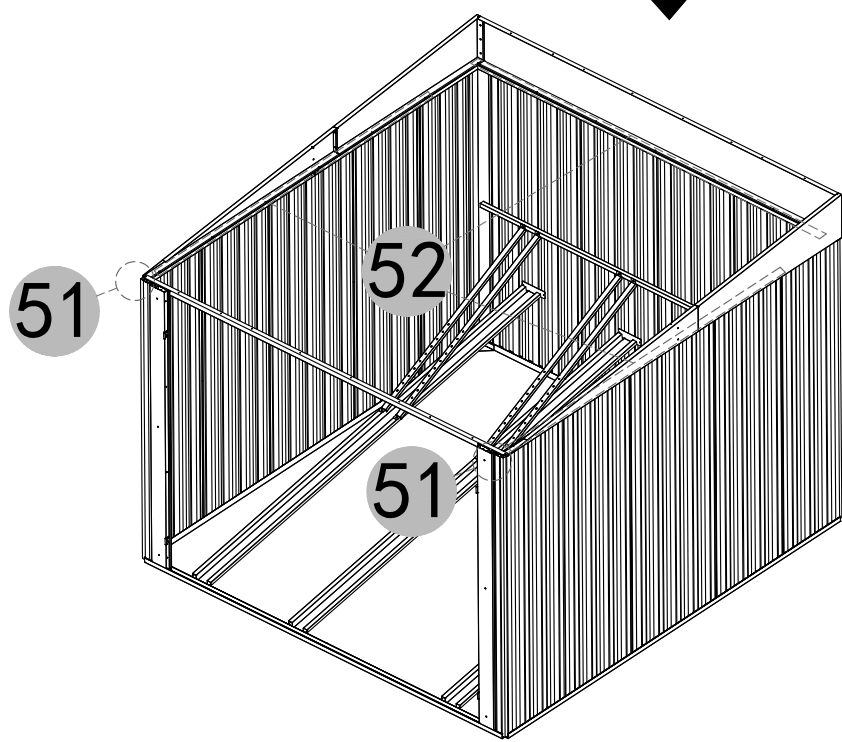
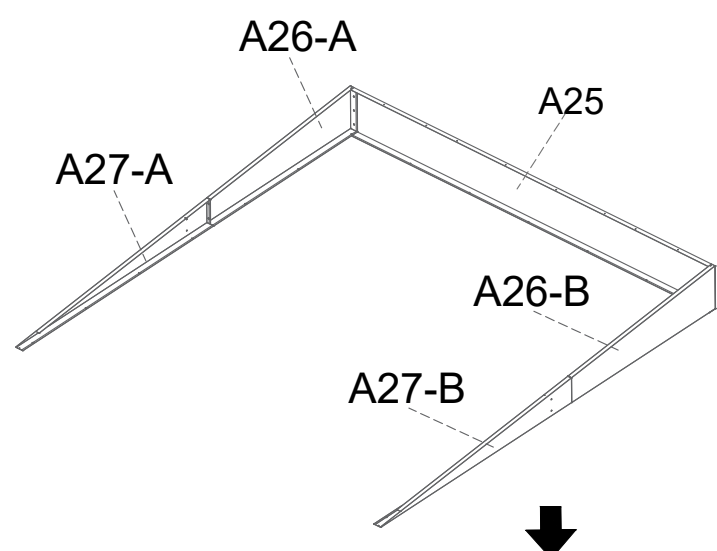
X2

H1



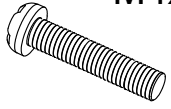
M4. 2X13

X19



H4

M4X10



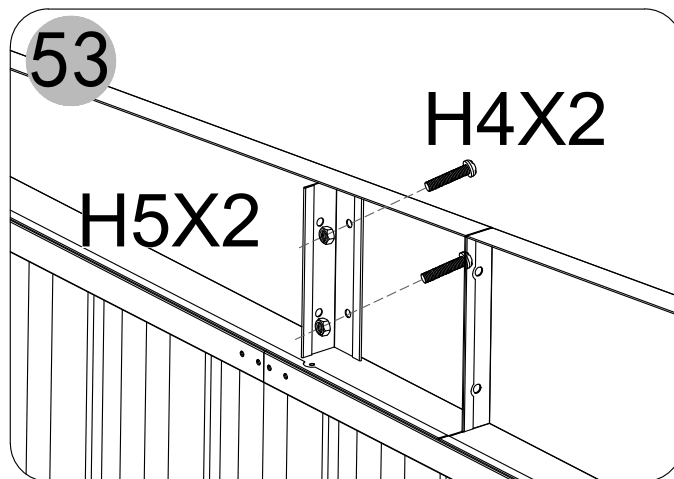
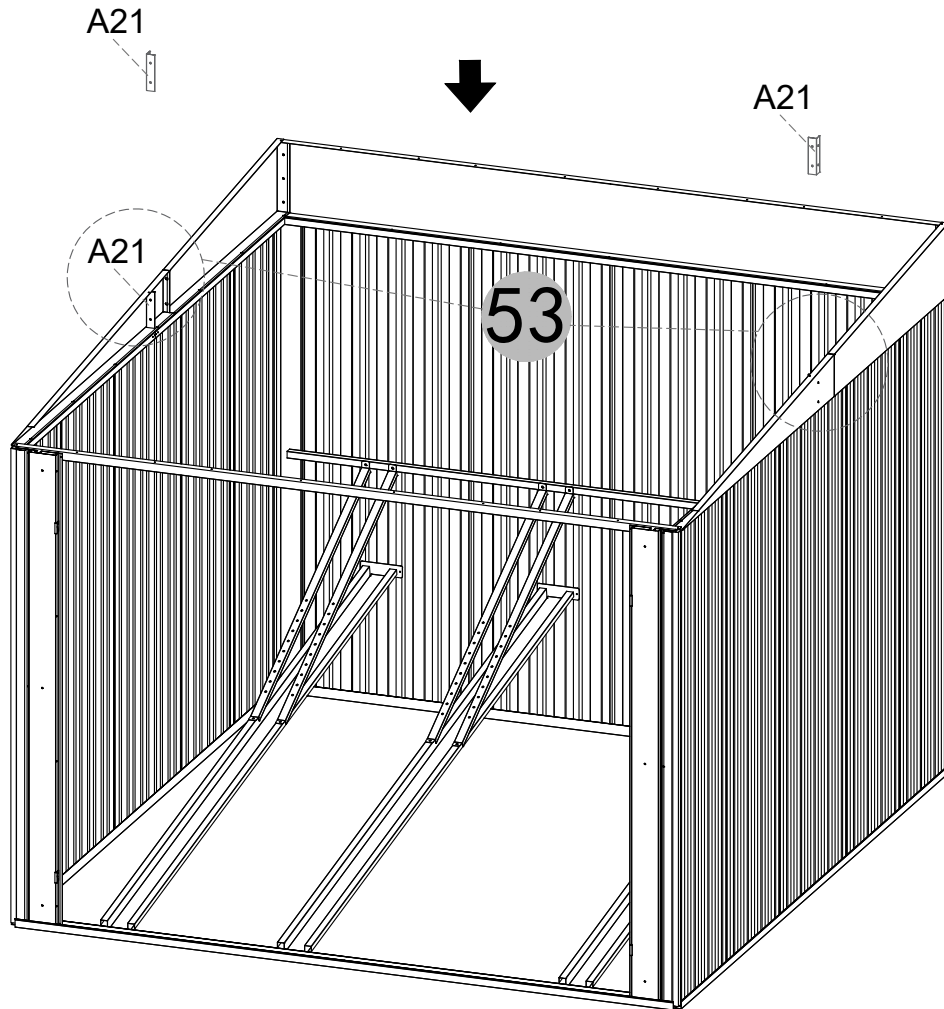
X4

H5



M4

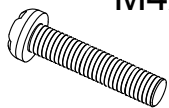
X4



X2

H4

M4X10



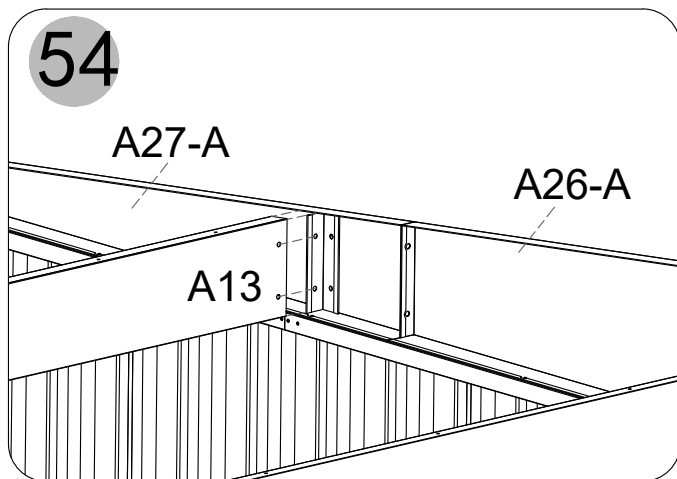
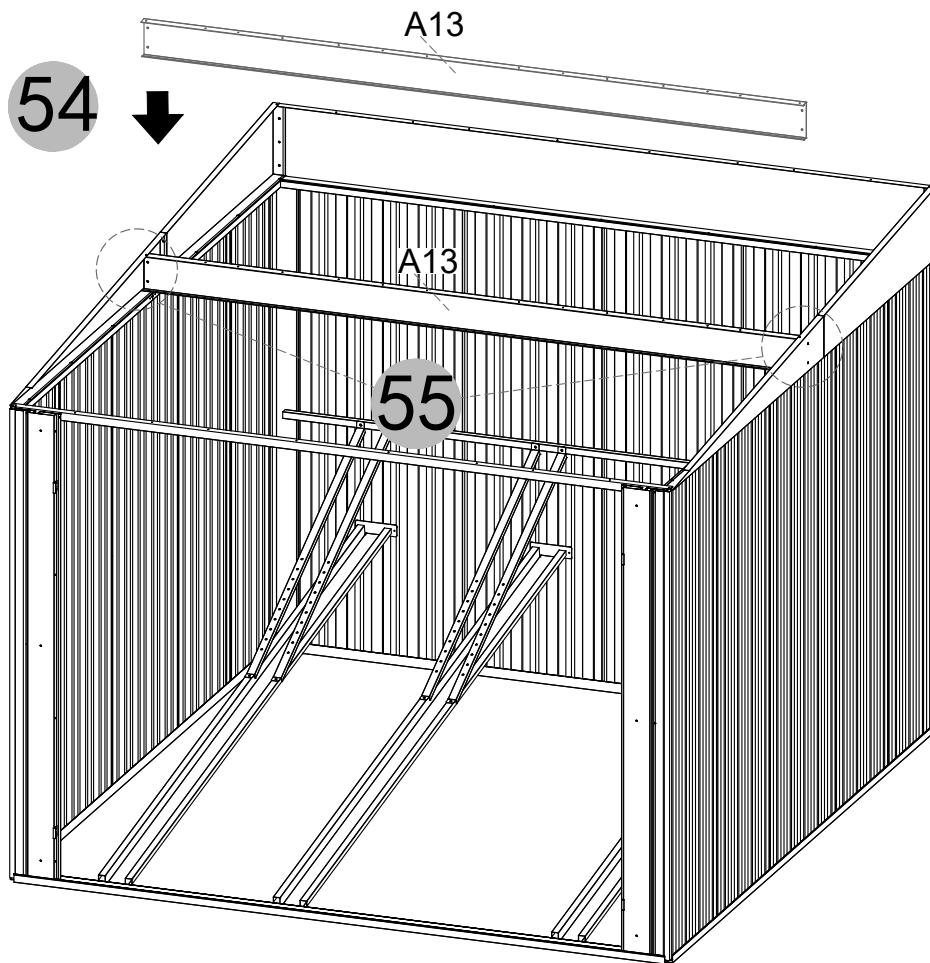
H5



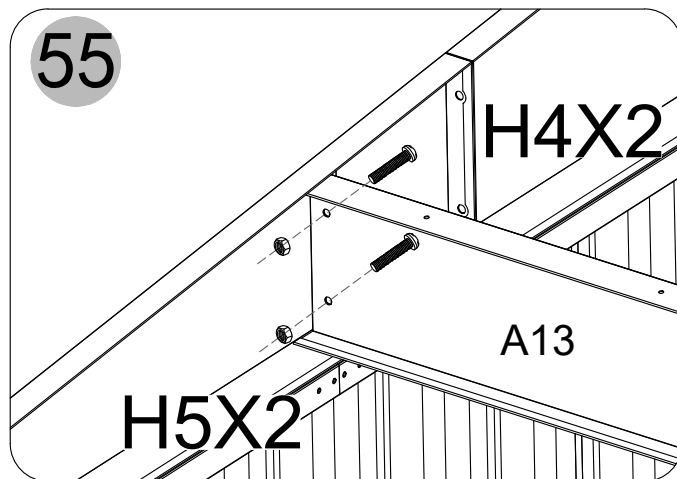
M4

X4

X4

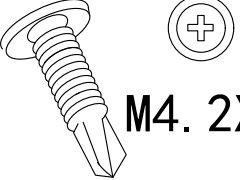


X2



X2


**H1**



M4. 2X13

X6


**H3**



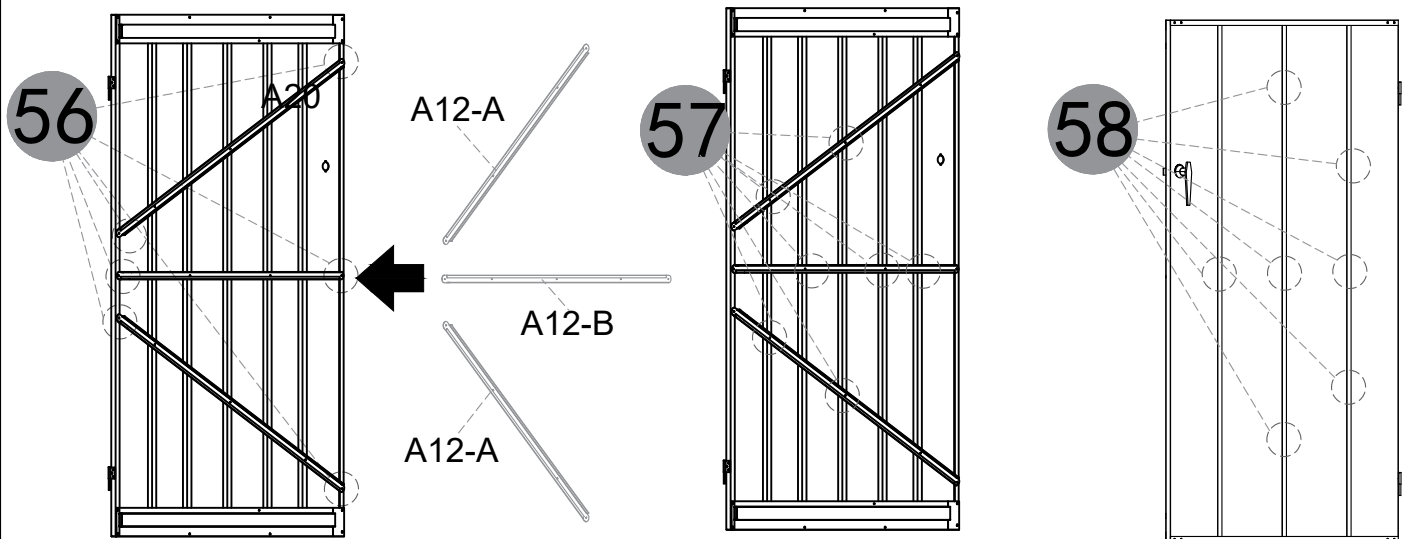
M4. 2X13

X7

**H9**



X7



**56**

H1X6

**57**

M3

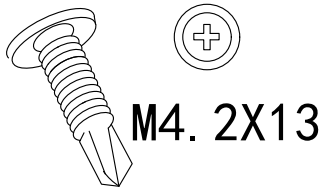
X7

**58**

H9X7

H3X7

H1



X6

H3

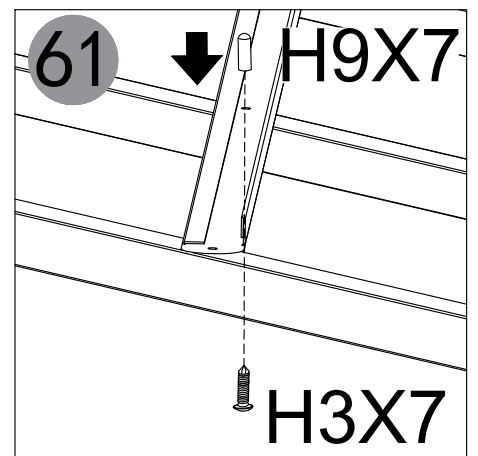
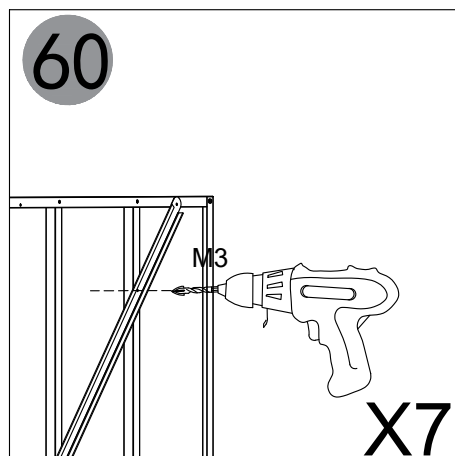
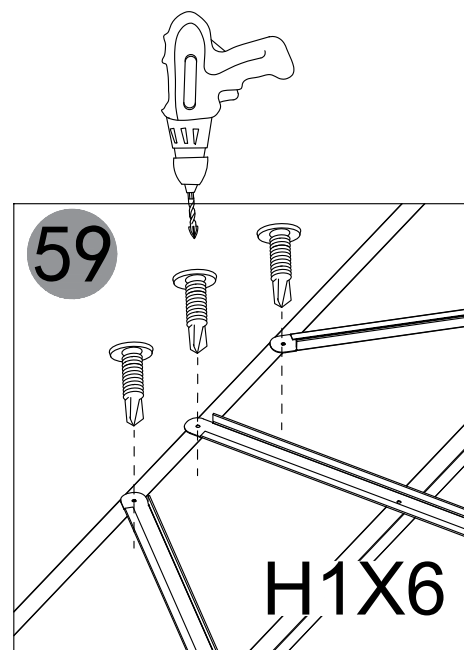
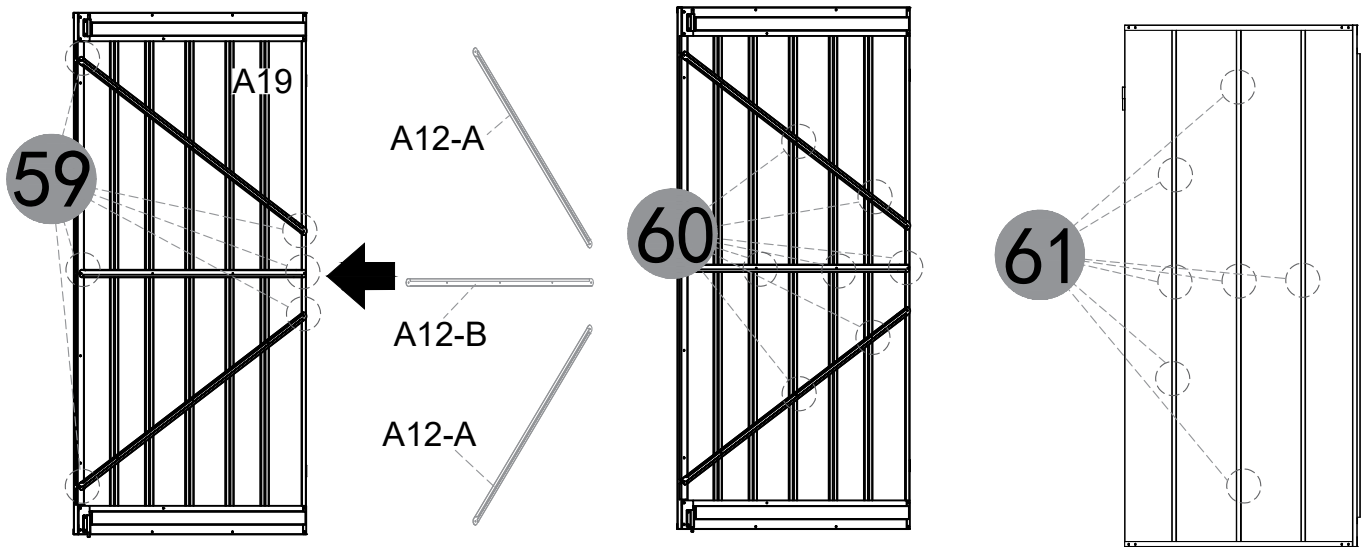


X7

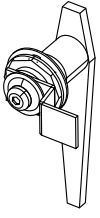
H9



X7

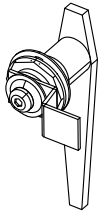


H15

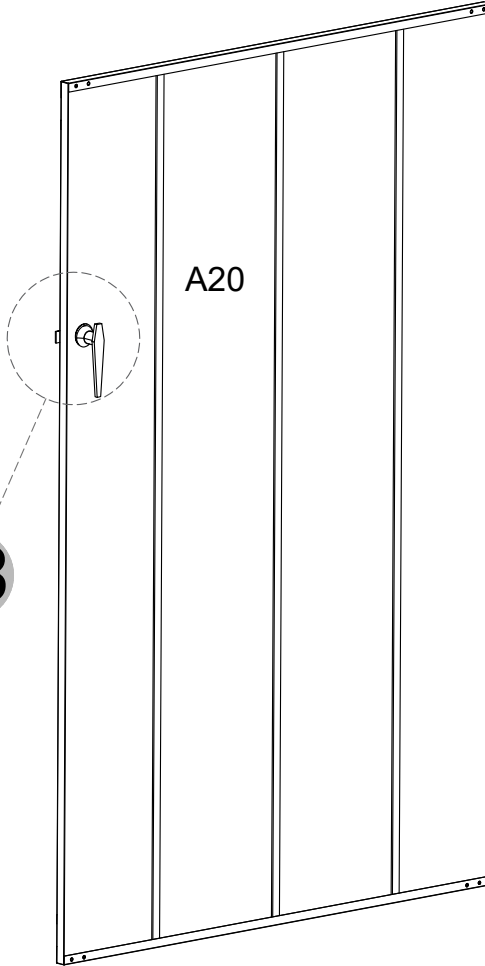


X1

62

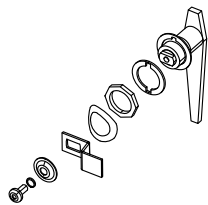
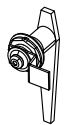


63



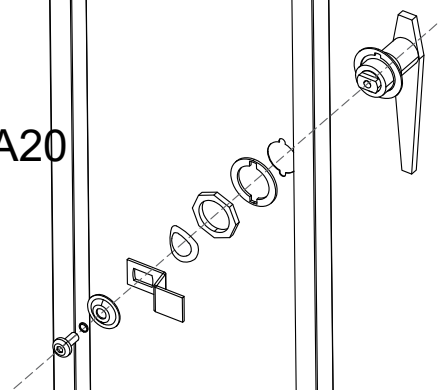
A20

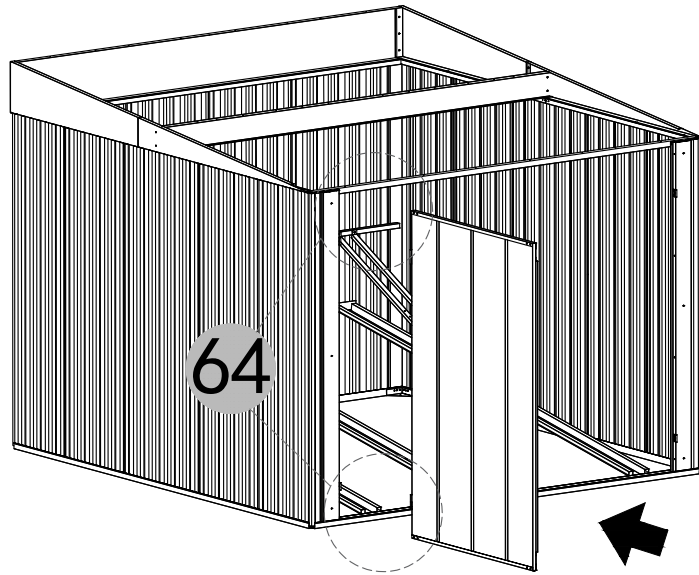
62



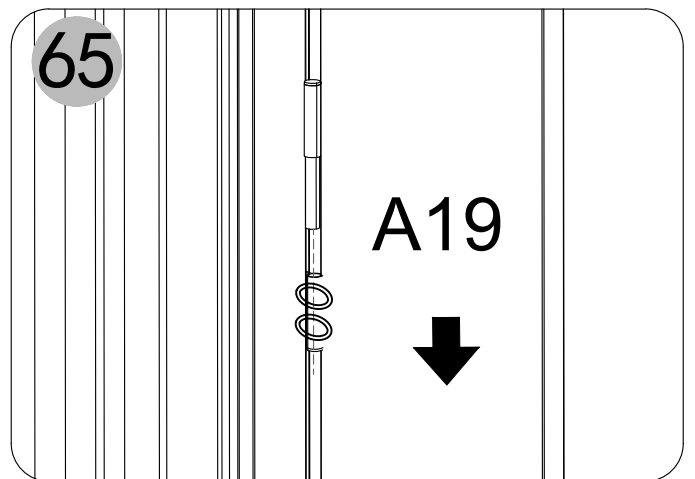
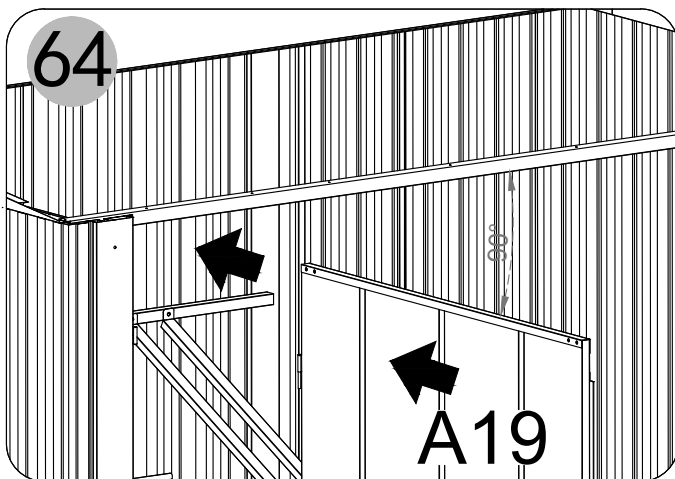
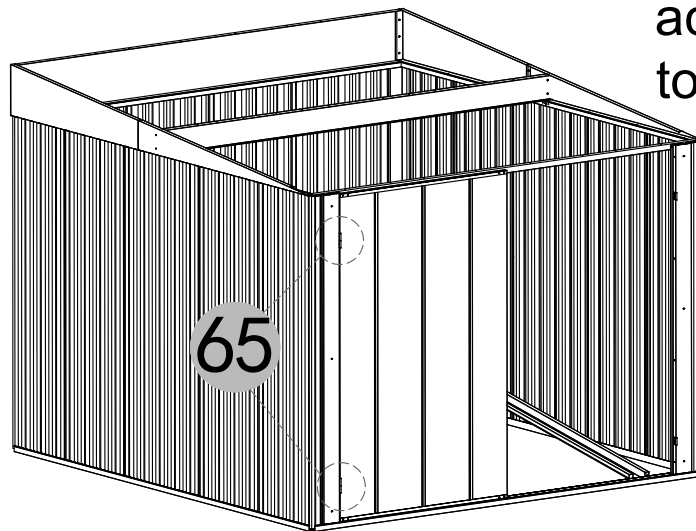
63

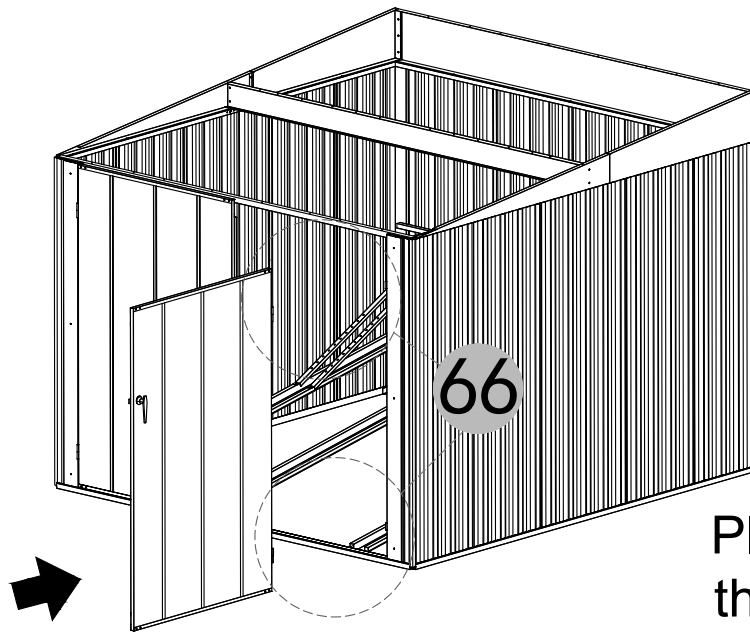
A20





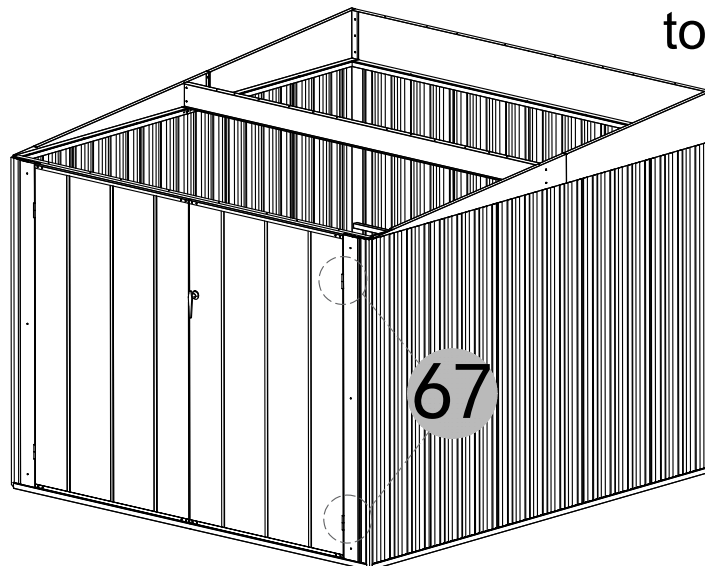
Place gaskets at the hinges according to actual conditions to adjust the gap



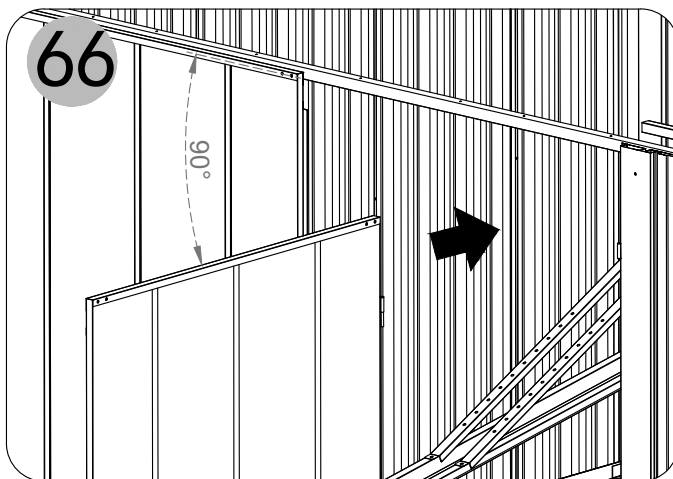


66

Place gaskets at the hinges according to actual conditions to adjust the gap

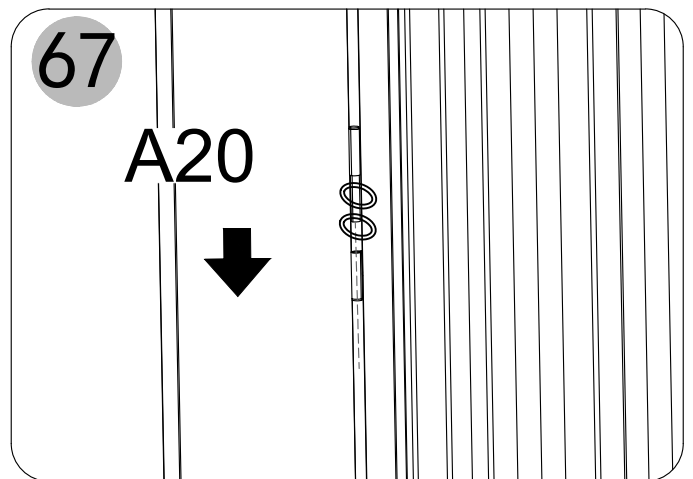


67



66

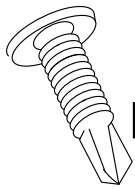
90°



67

A20

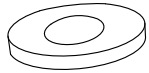
H1



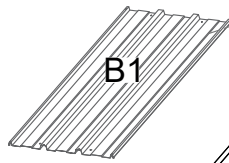
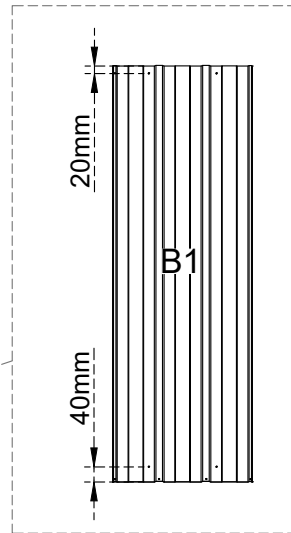
M4. 2X13

X2

H7



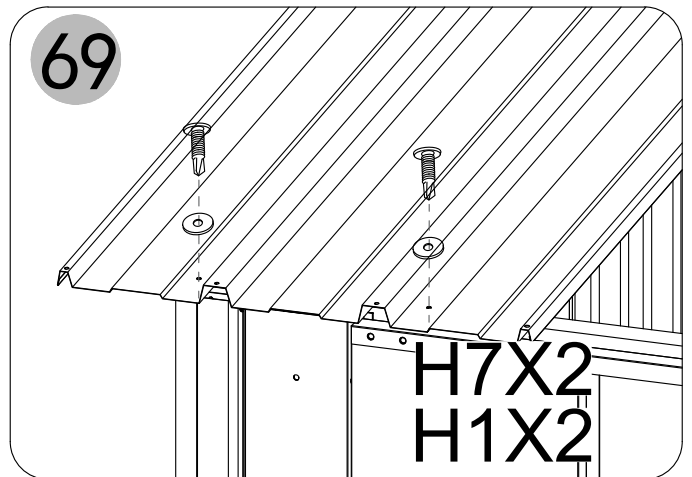
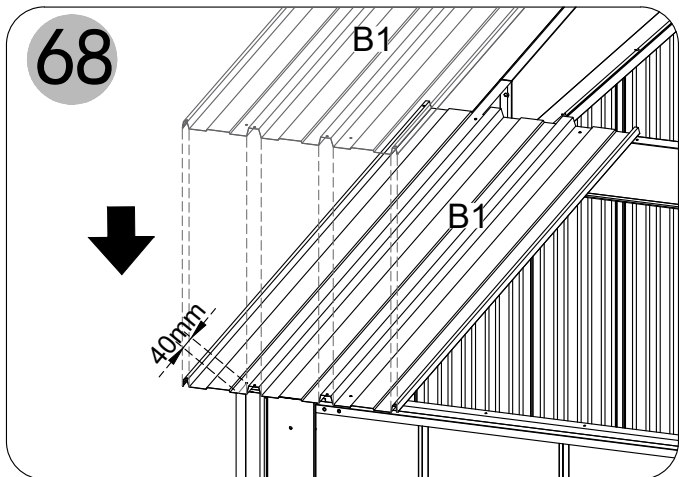
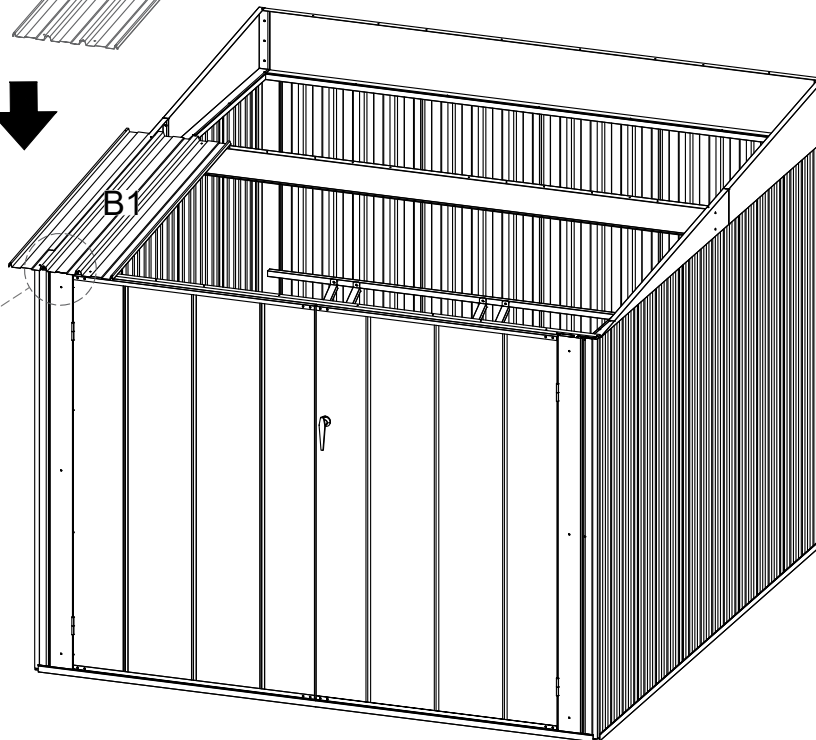
X2



68

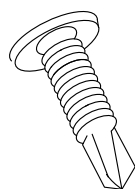


69



H7X2  
H1X2

H1



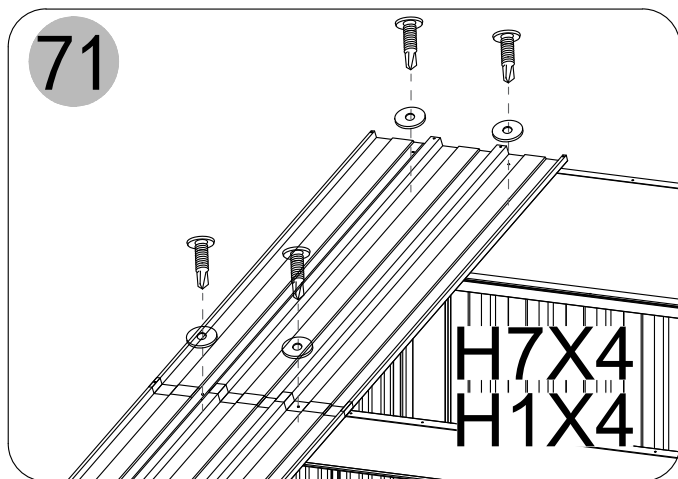
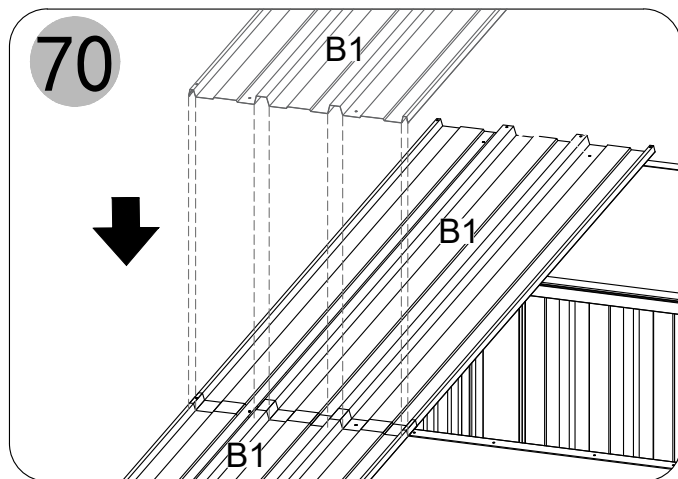
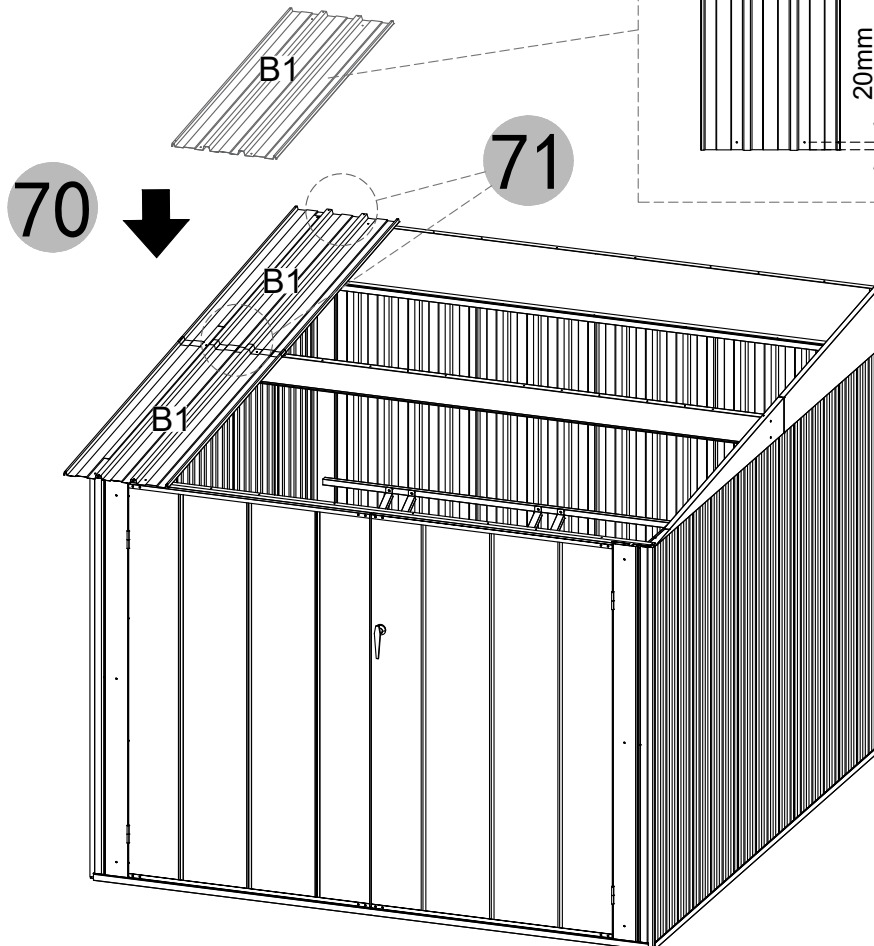
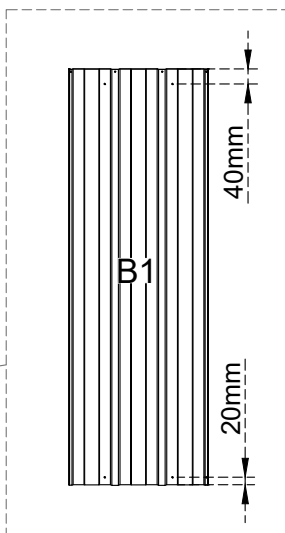
M4. 2X13

X4

H7

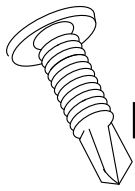


X4



H7X4  
H1X4

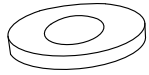
H1



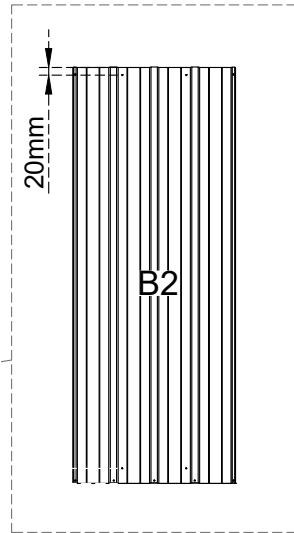
M4. 2X13

X2

H7



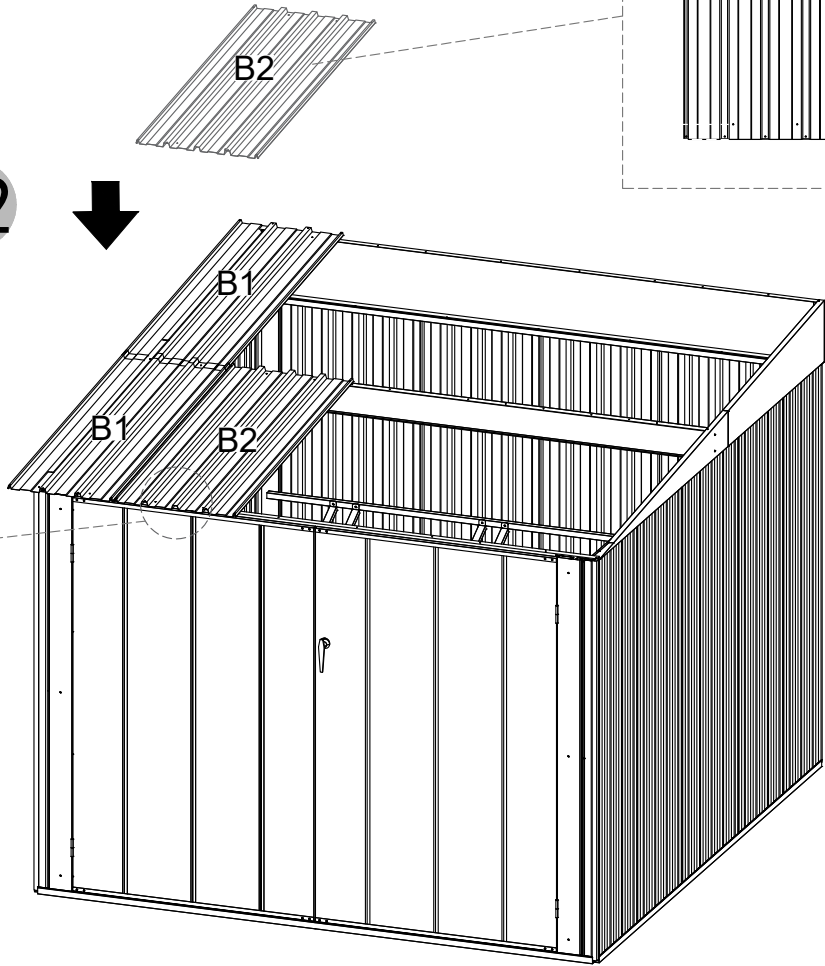
X2



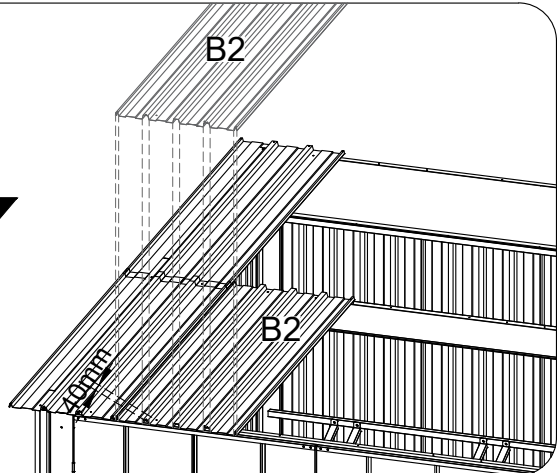
72



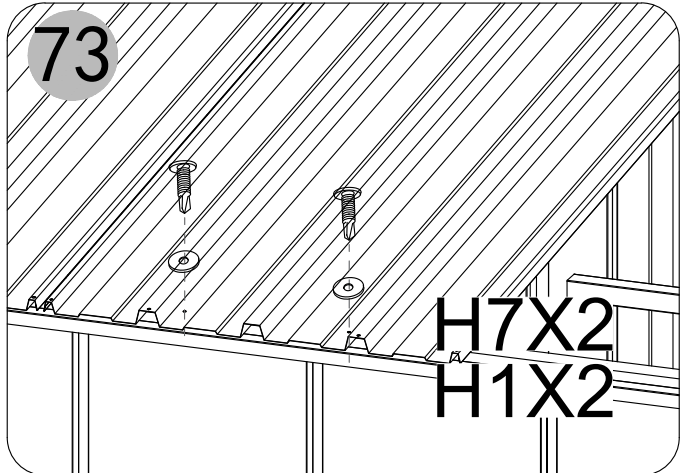
73



72

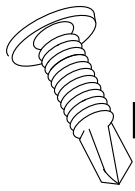


73



H7X2  
H1X2

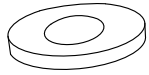
H1



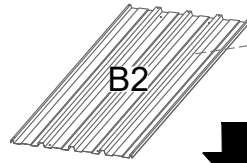
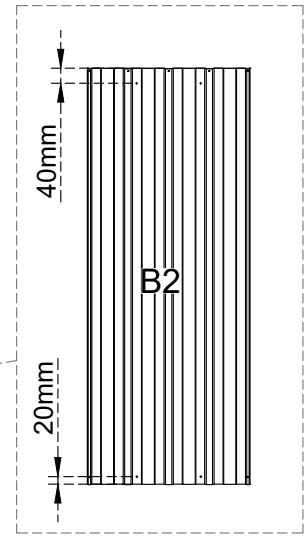
M4. 2X13

X4

H7

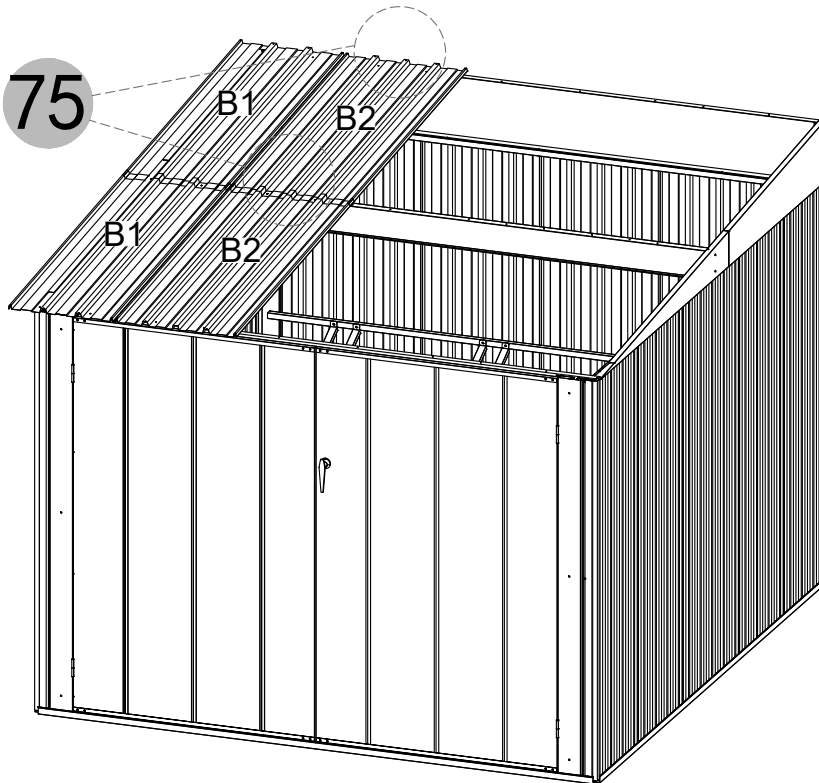


X4

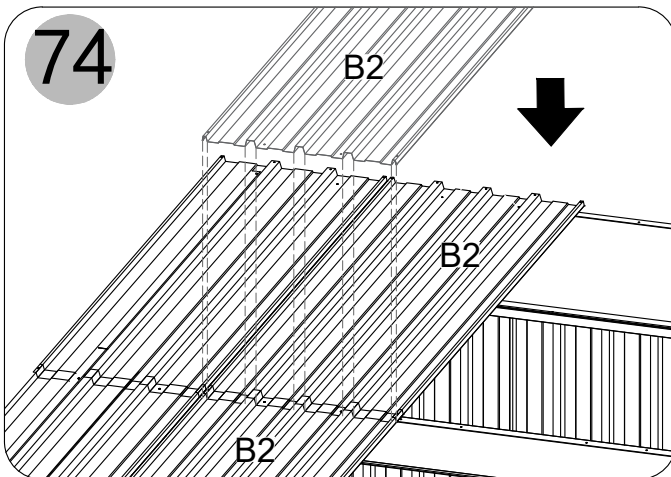


74

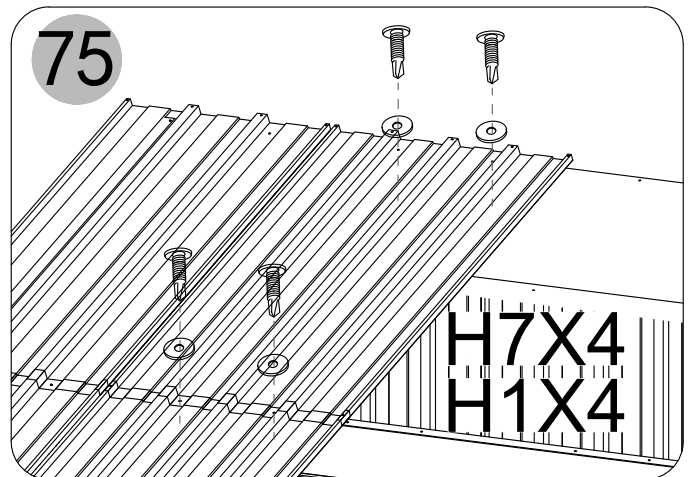
75



74

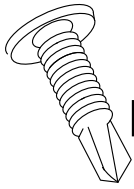


75



H7X4  
H1X4

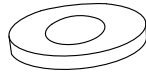
H16



M4. 2X25

X1

H7



X1

A33

A34



76

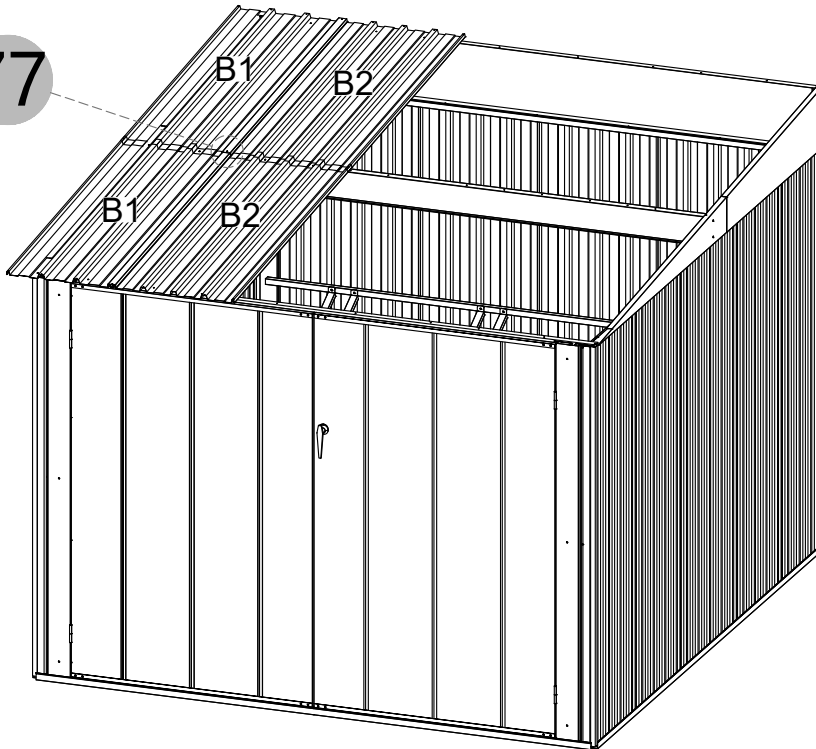
77

B1

B2

B1

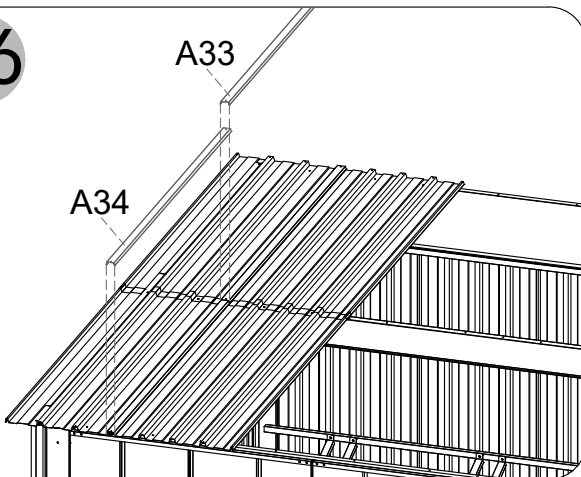
B2



76

A33

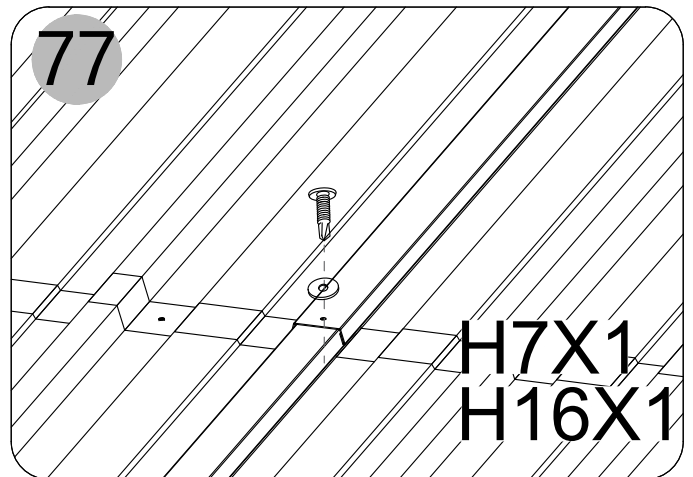
A34



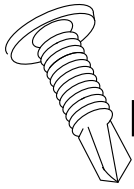
77



H7X1  
H16X1



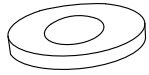
H1



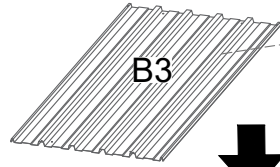
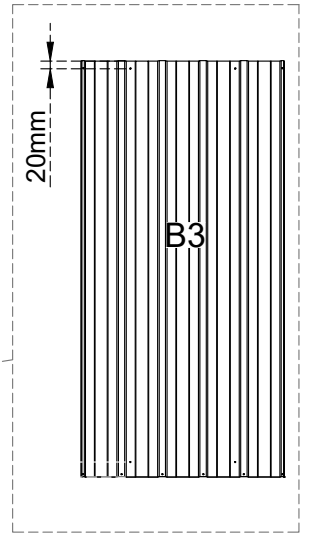
M4. 2X13

X2

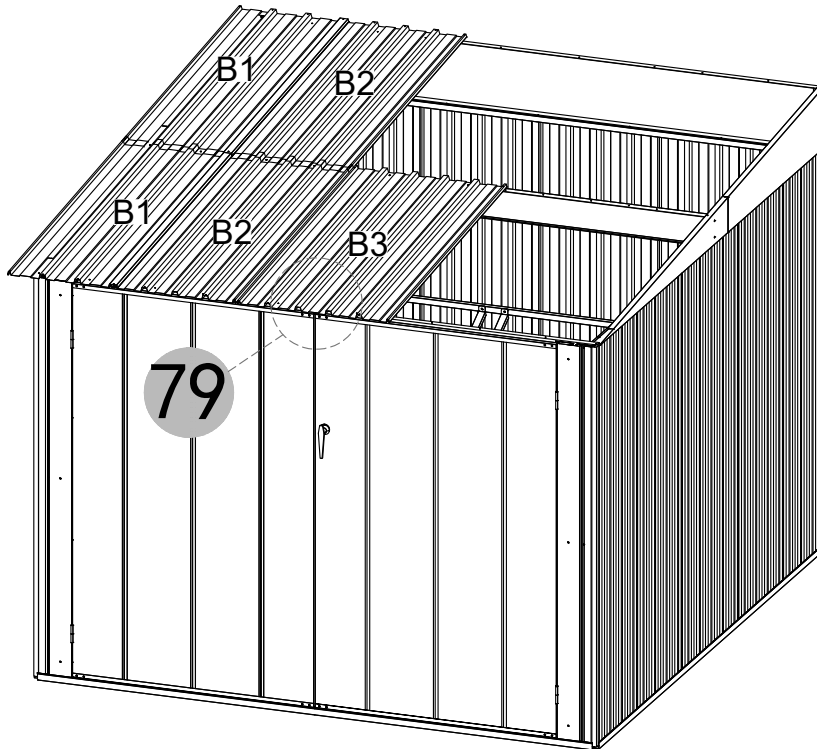
H7



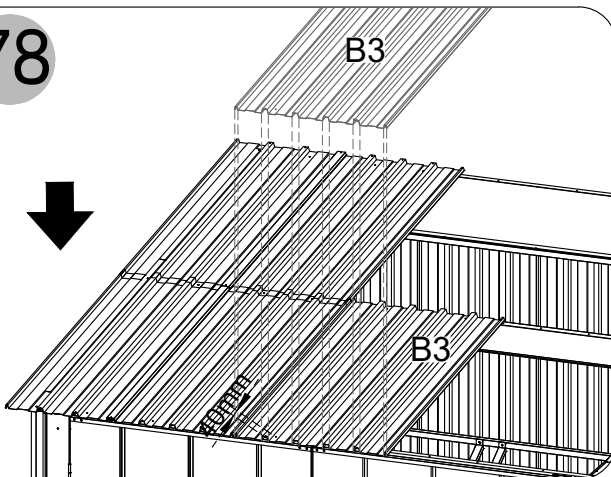
X2



78

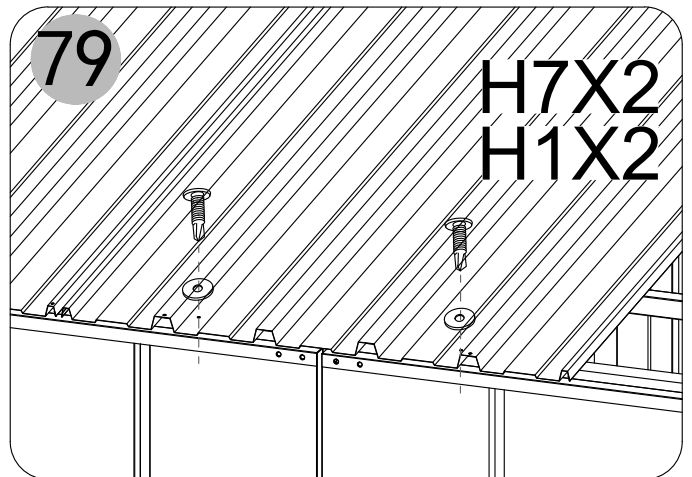


78

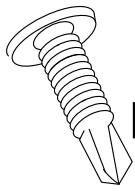


79

H7X2  
H1X2



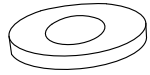
H1



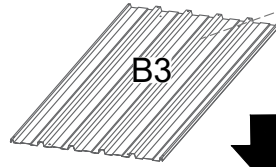
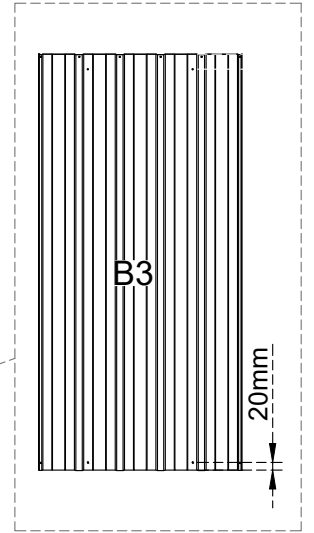
M4. 2X13

X4

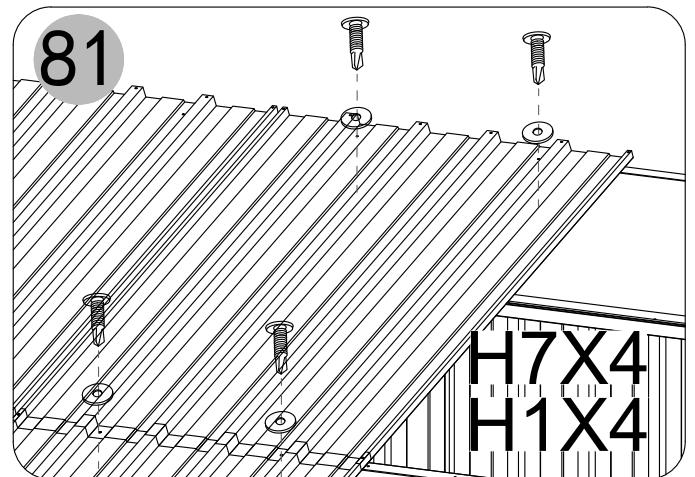
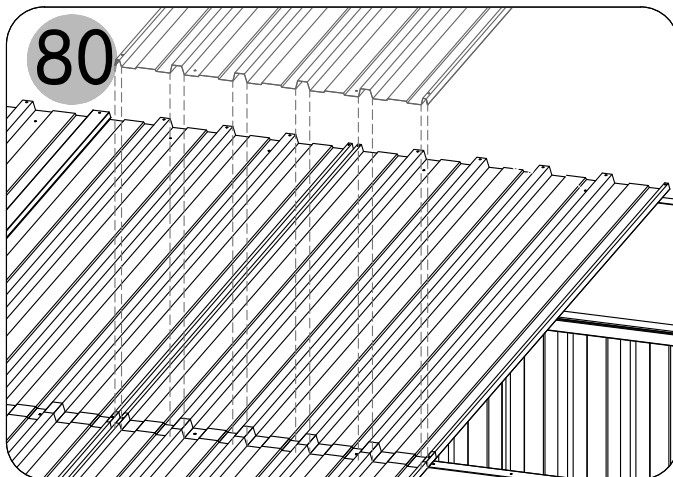
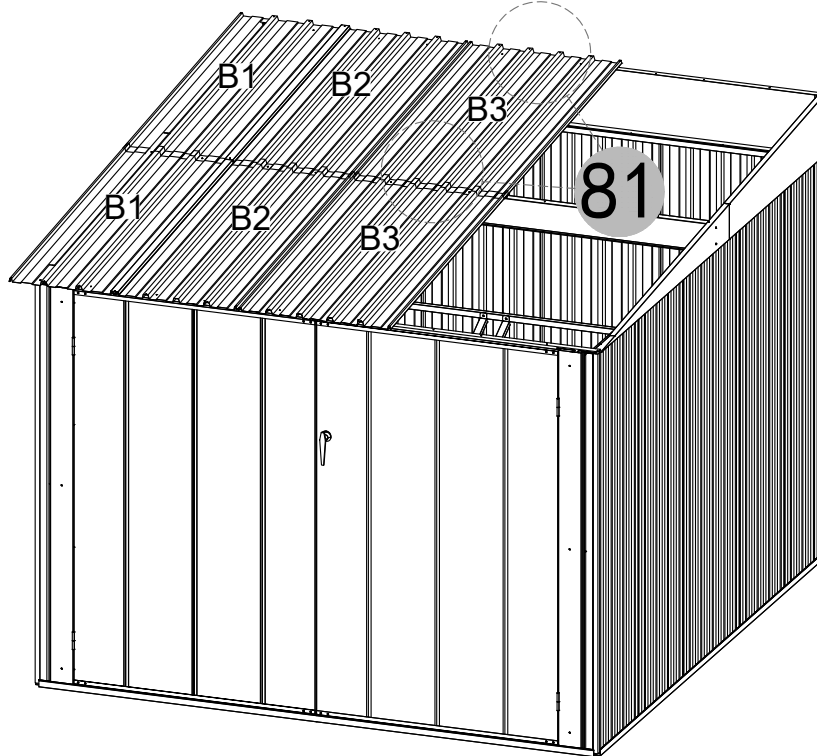
H7



X4

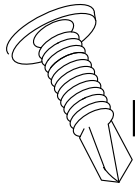


80



H7X4  
H1X4

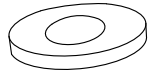
H16



M4. 2X25

X1

H7



X1

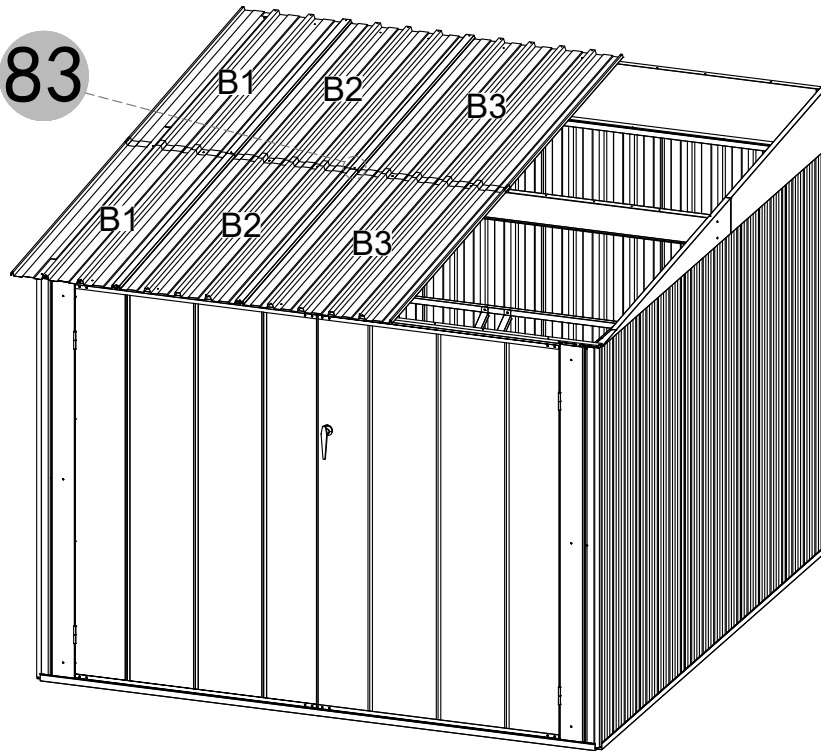
A33

A34



82

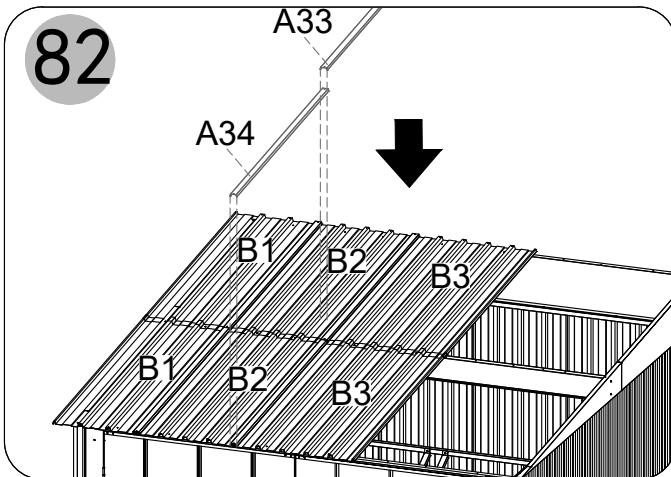
83



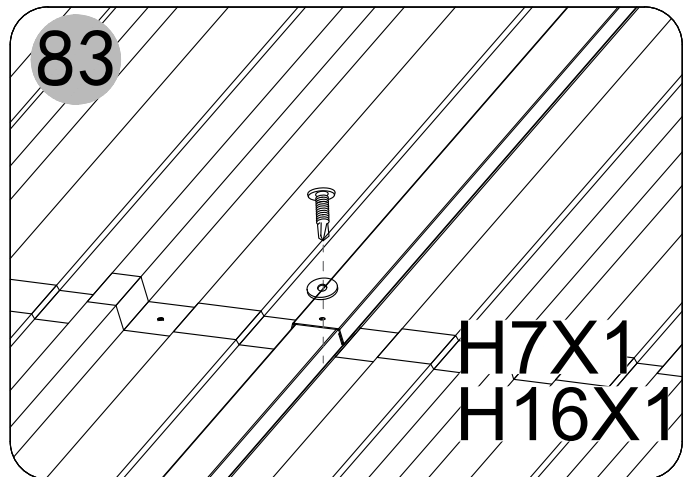
82

A33

A34

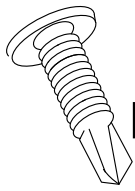


83



H7X1  
H16X1

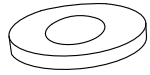
H1



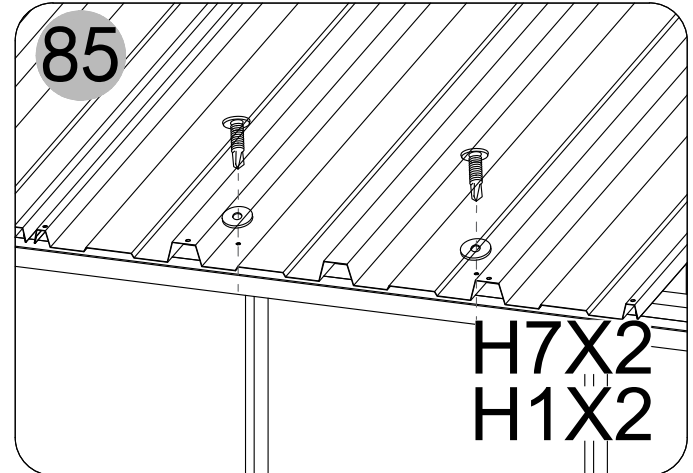
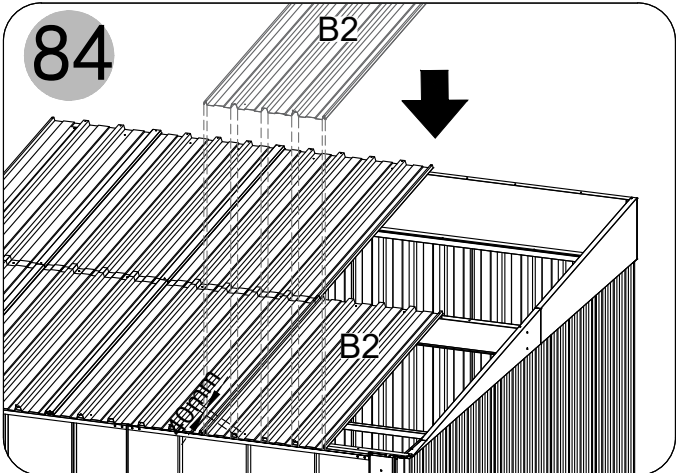
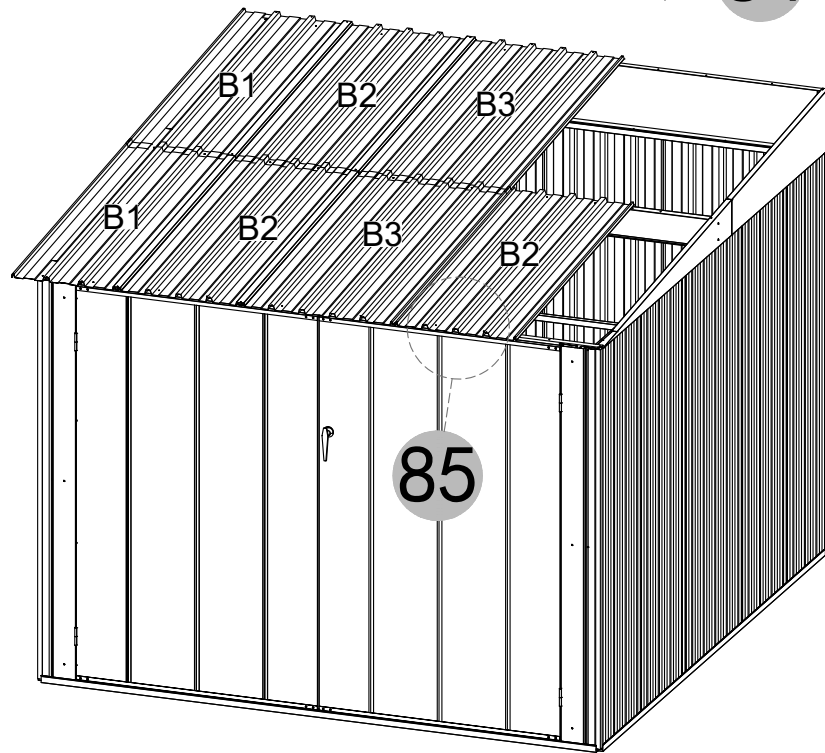
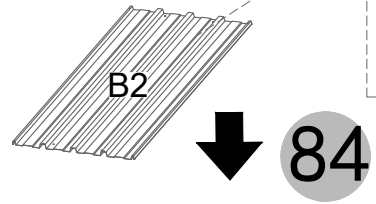
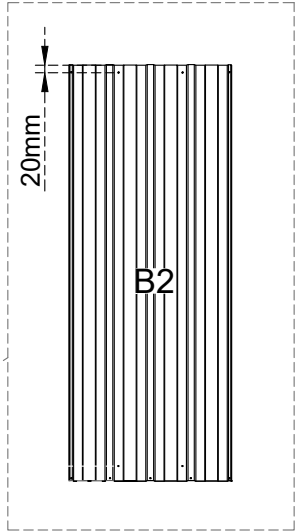
M4. 2X13

X2

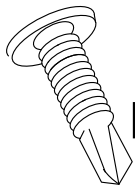
H7



X2



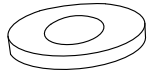
H1



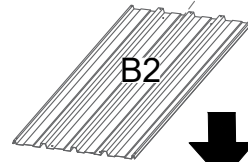
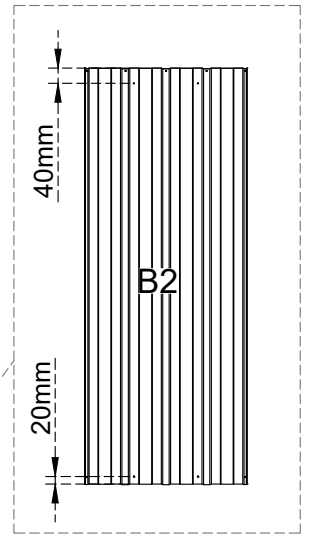
M4. 2X13

X4

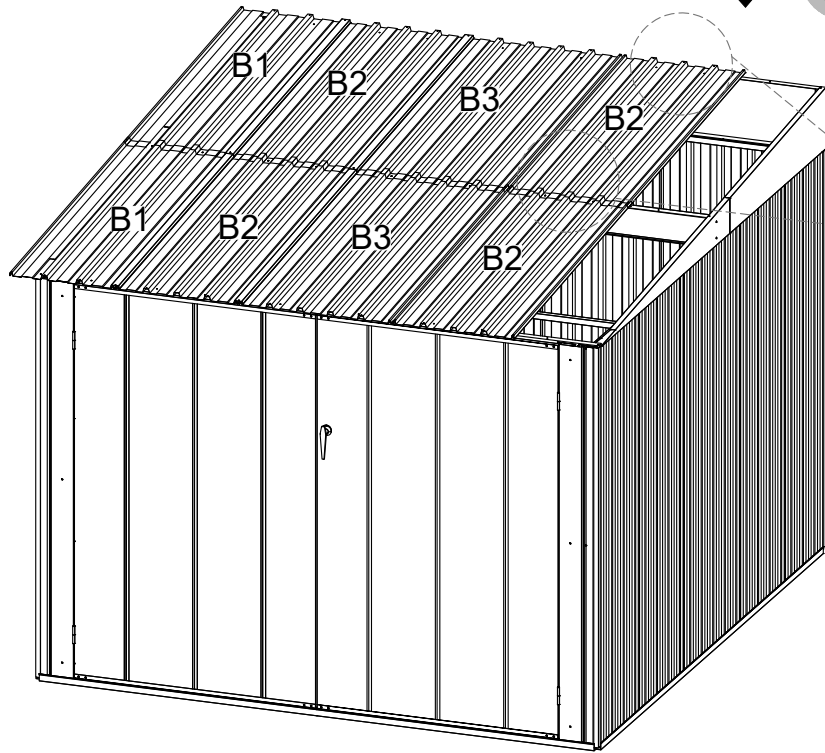
H7



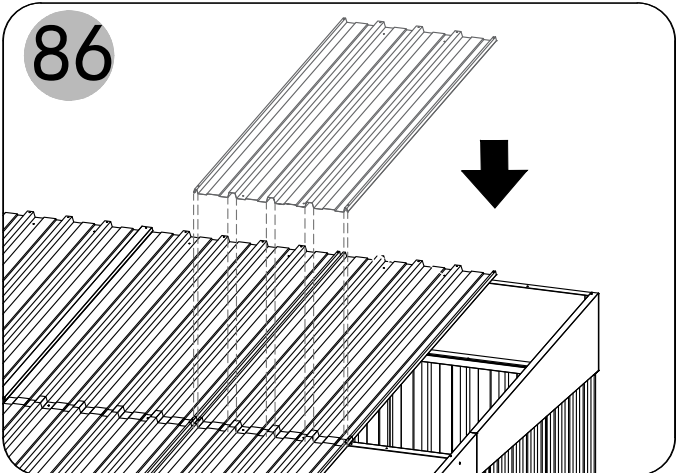
X4



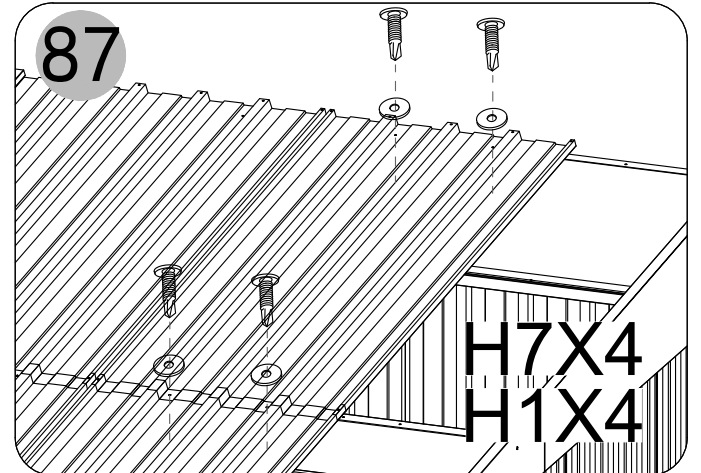
86



87



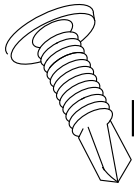
86



87

H7X4  
H1X4

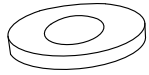
H16



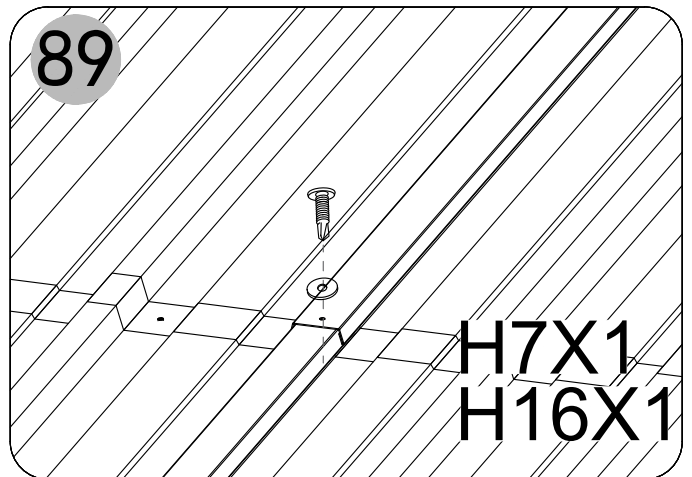
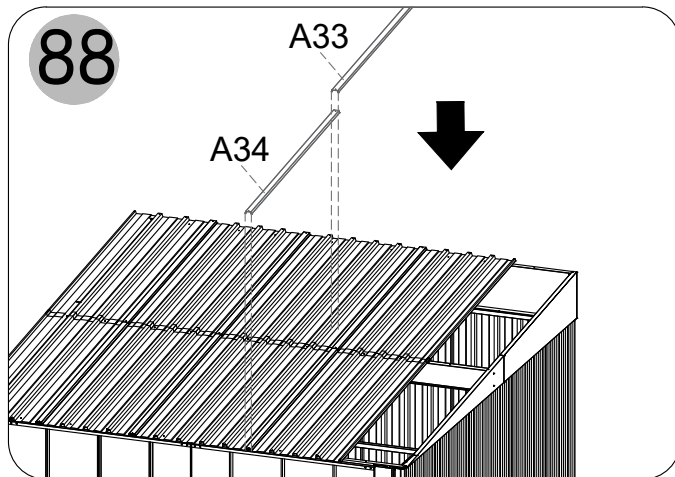
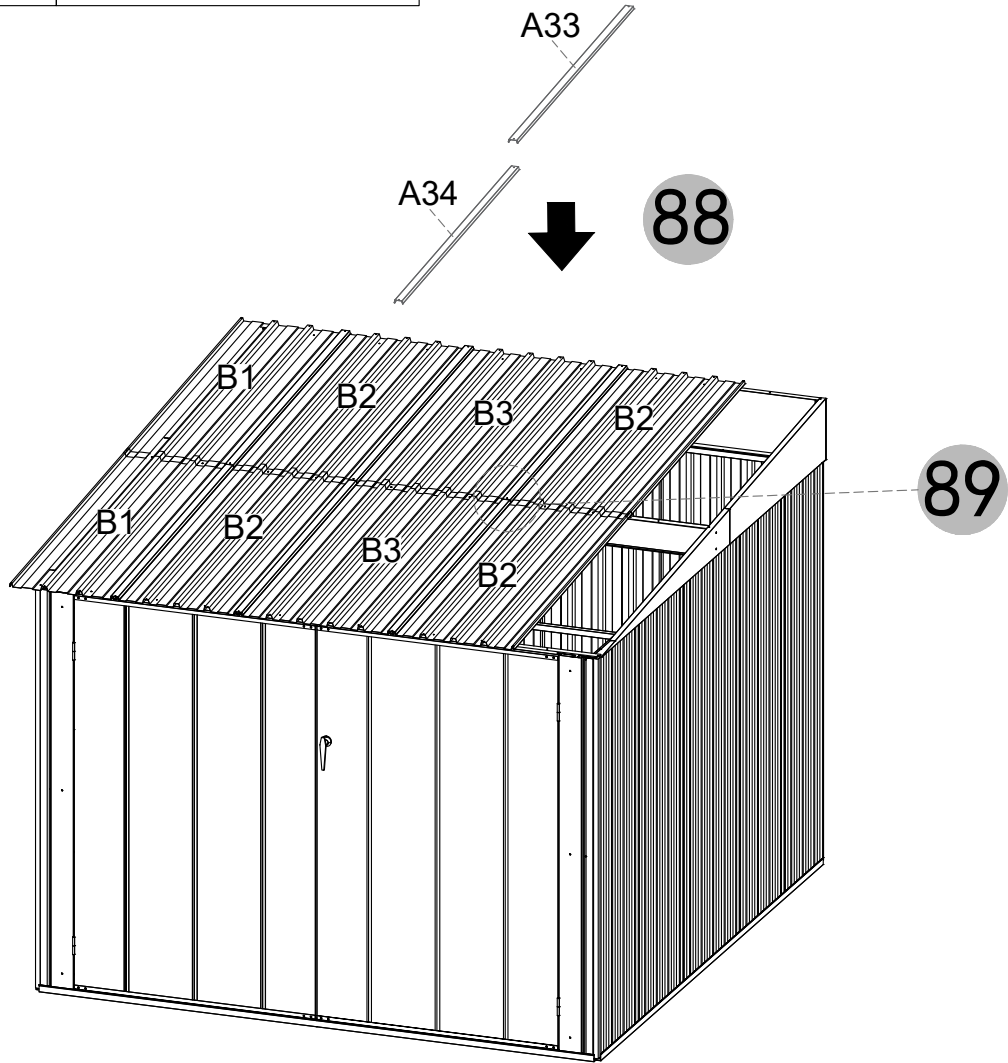
M4. 2X25

X1

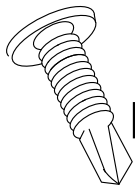
H7



X1



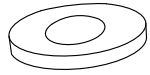
H1



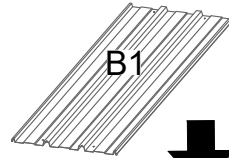
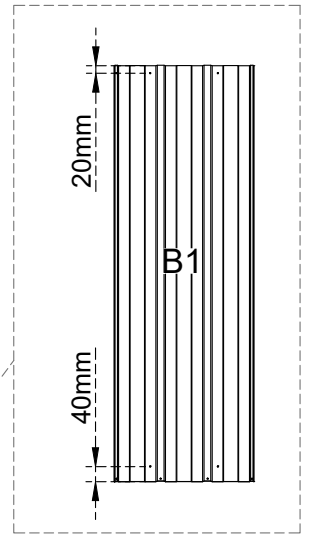
M4. 2X13

X2

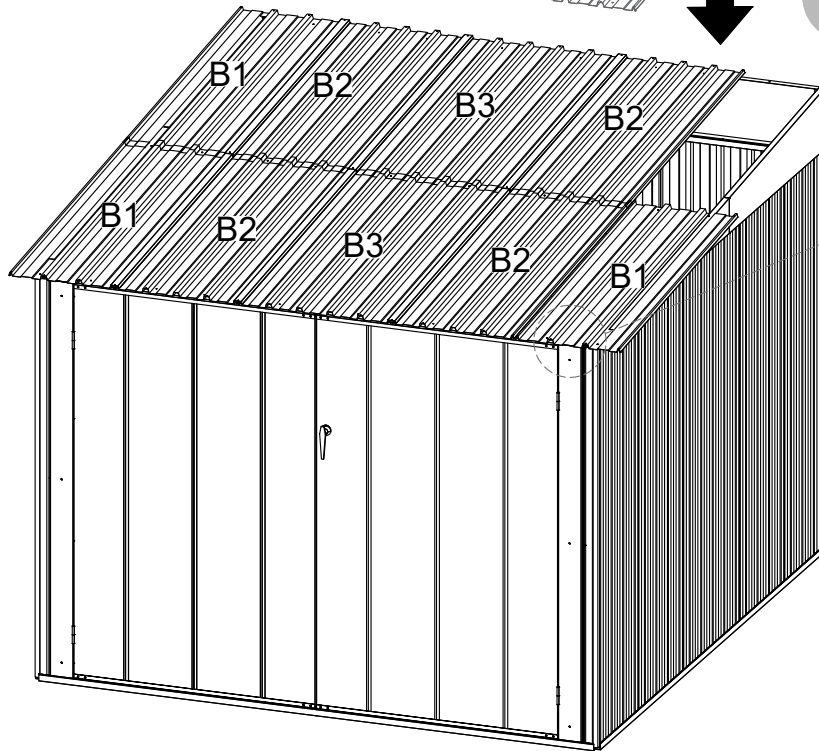
H7



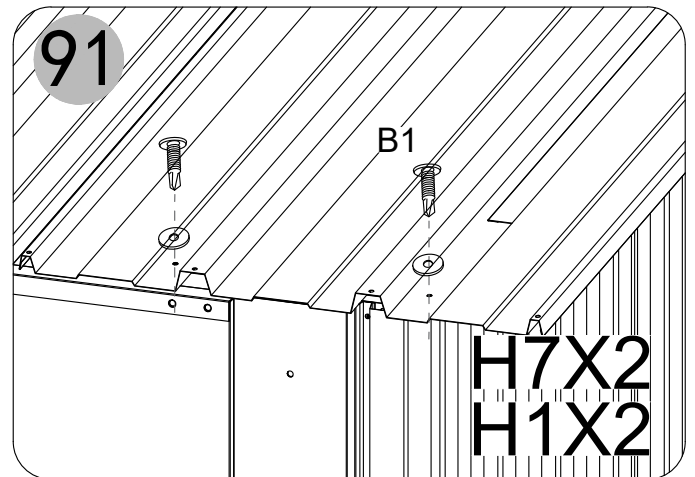
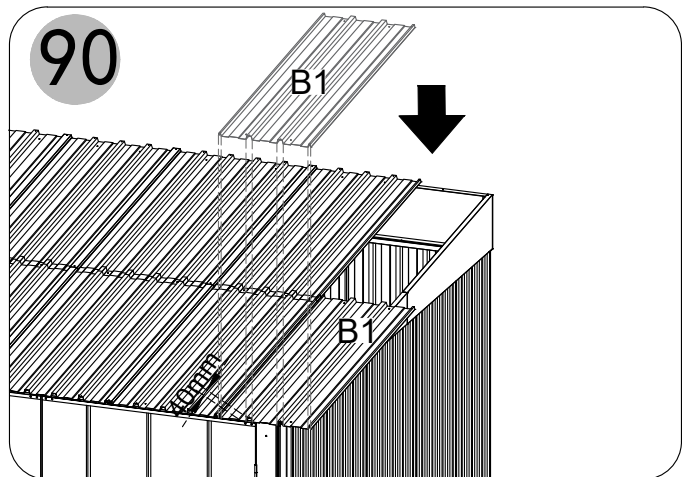
X2



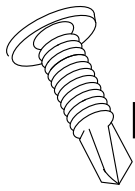
90



91



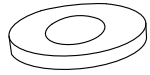
H1



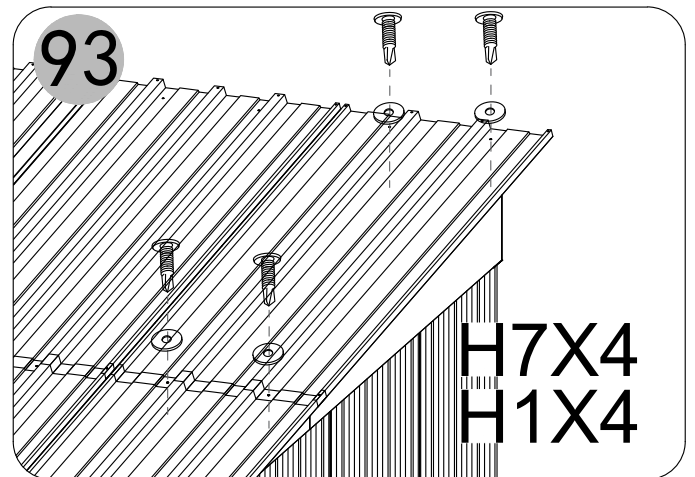
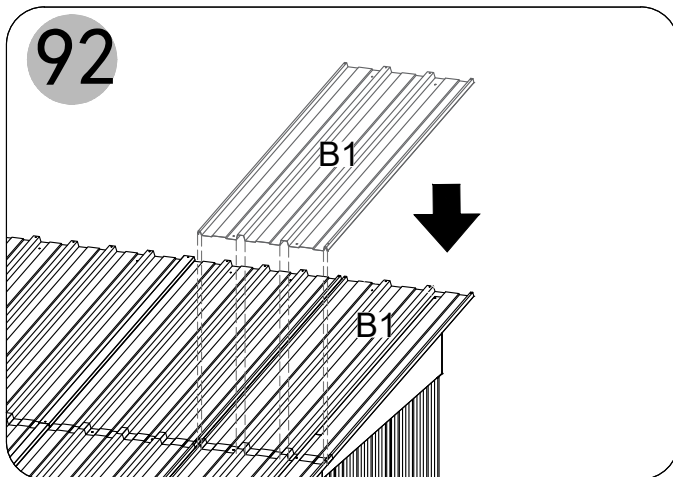
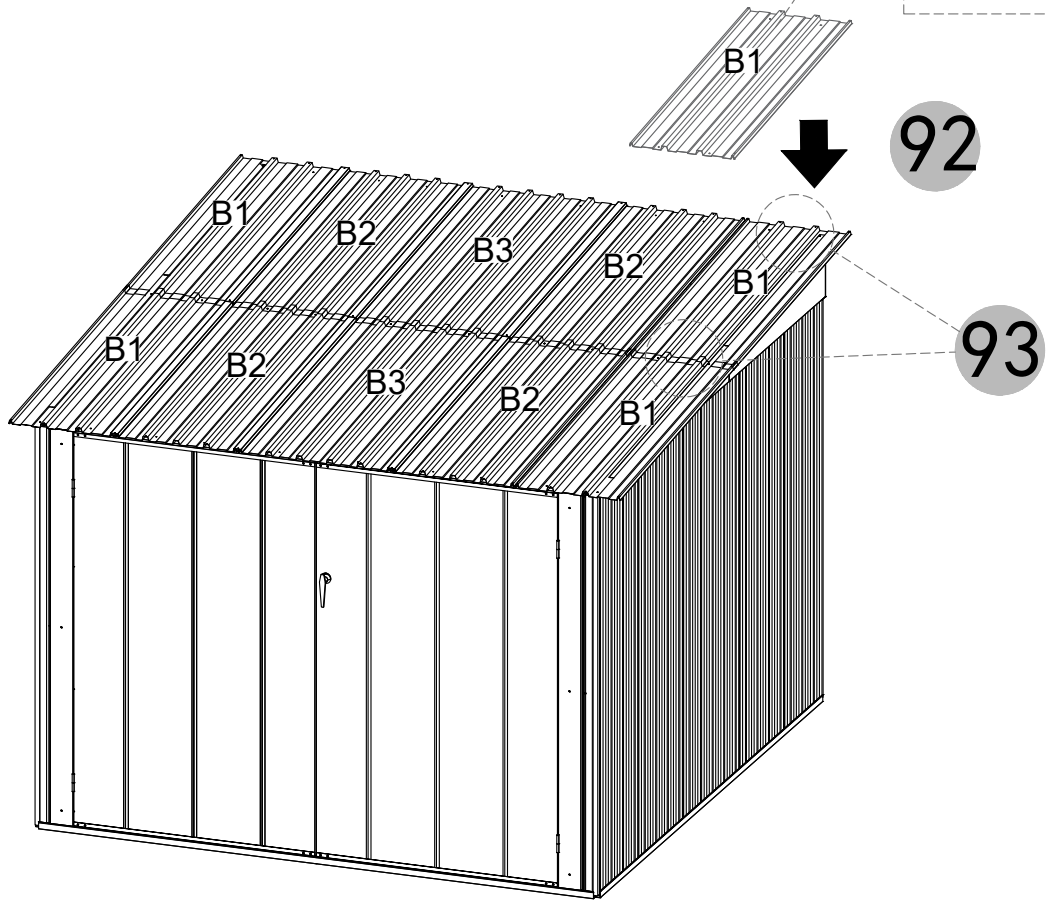
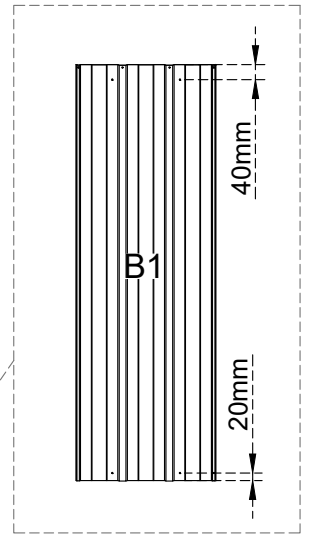
M4. 2X13

X4

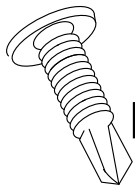
H7



X4



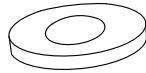
H16



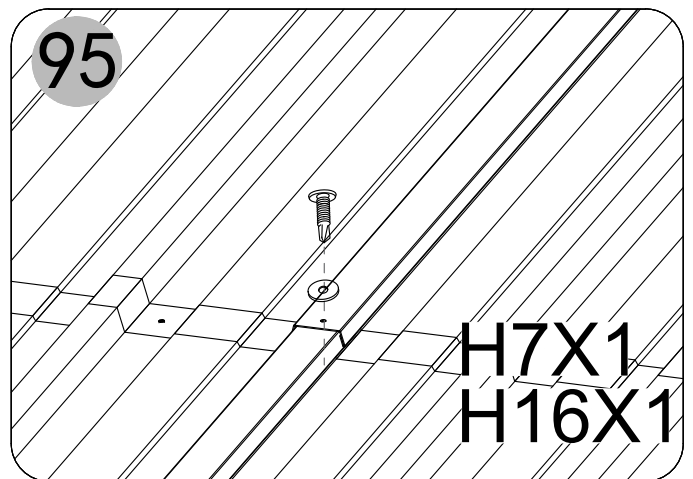
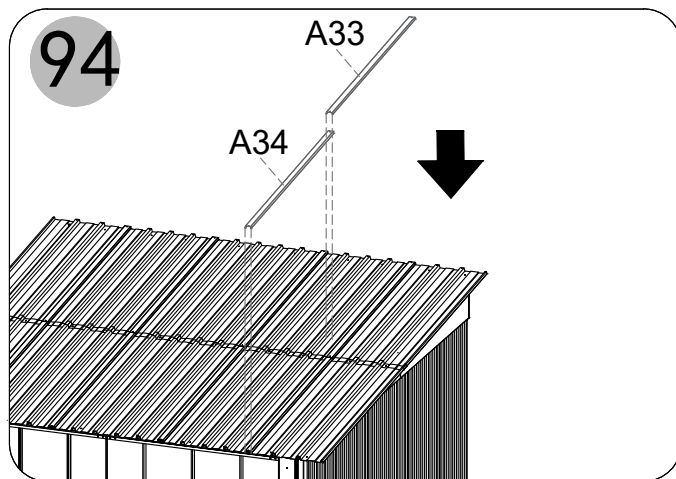
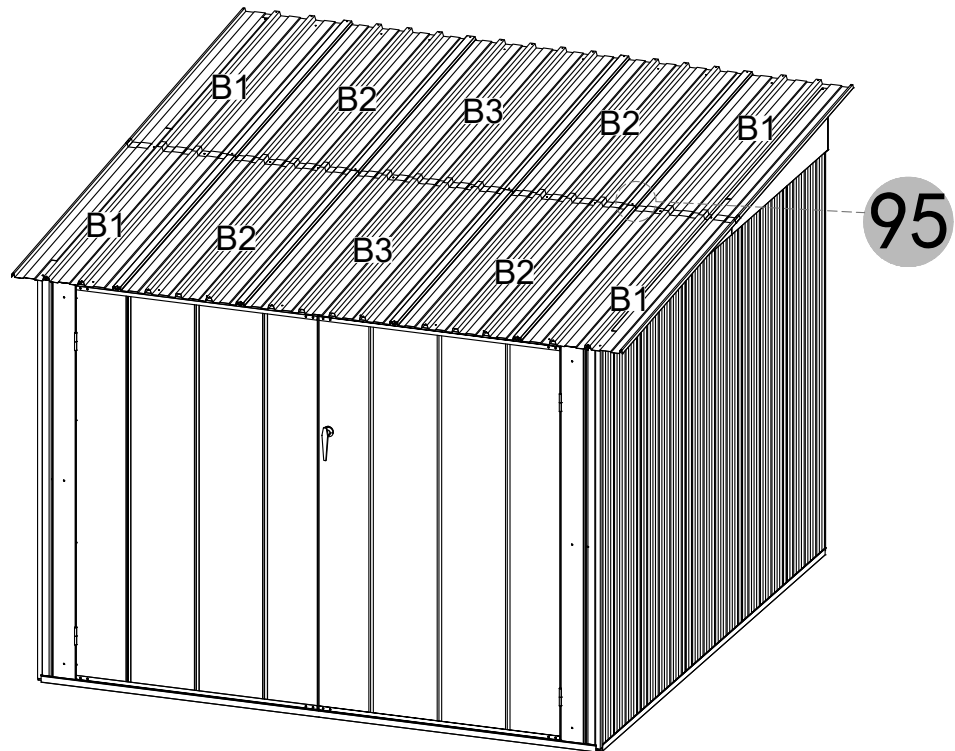
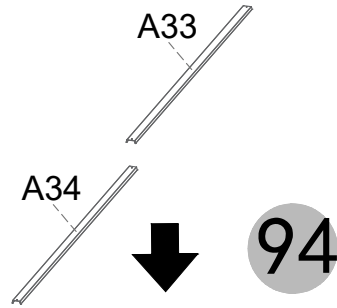
M4. 2X25

X1

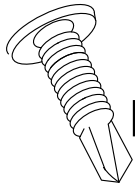
H7



X1

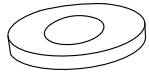


H1



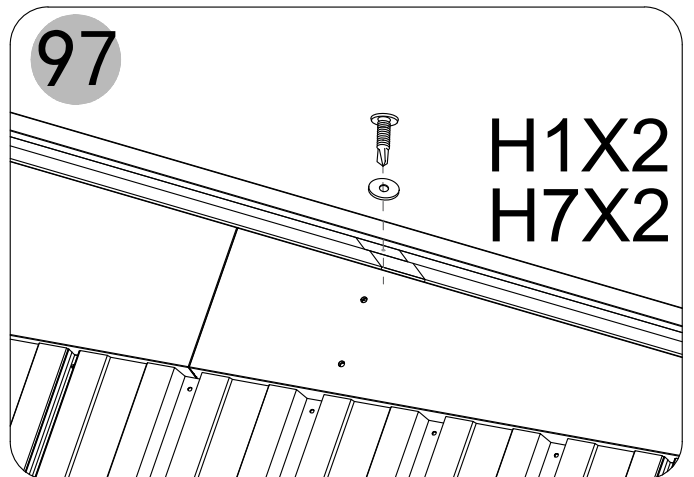
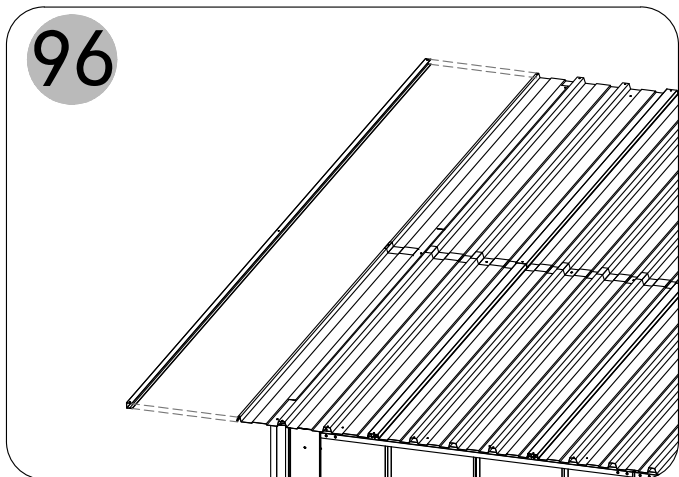
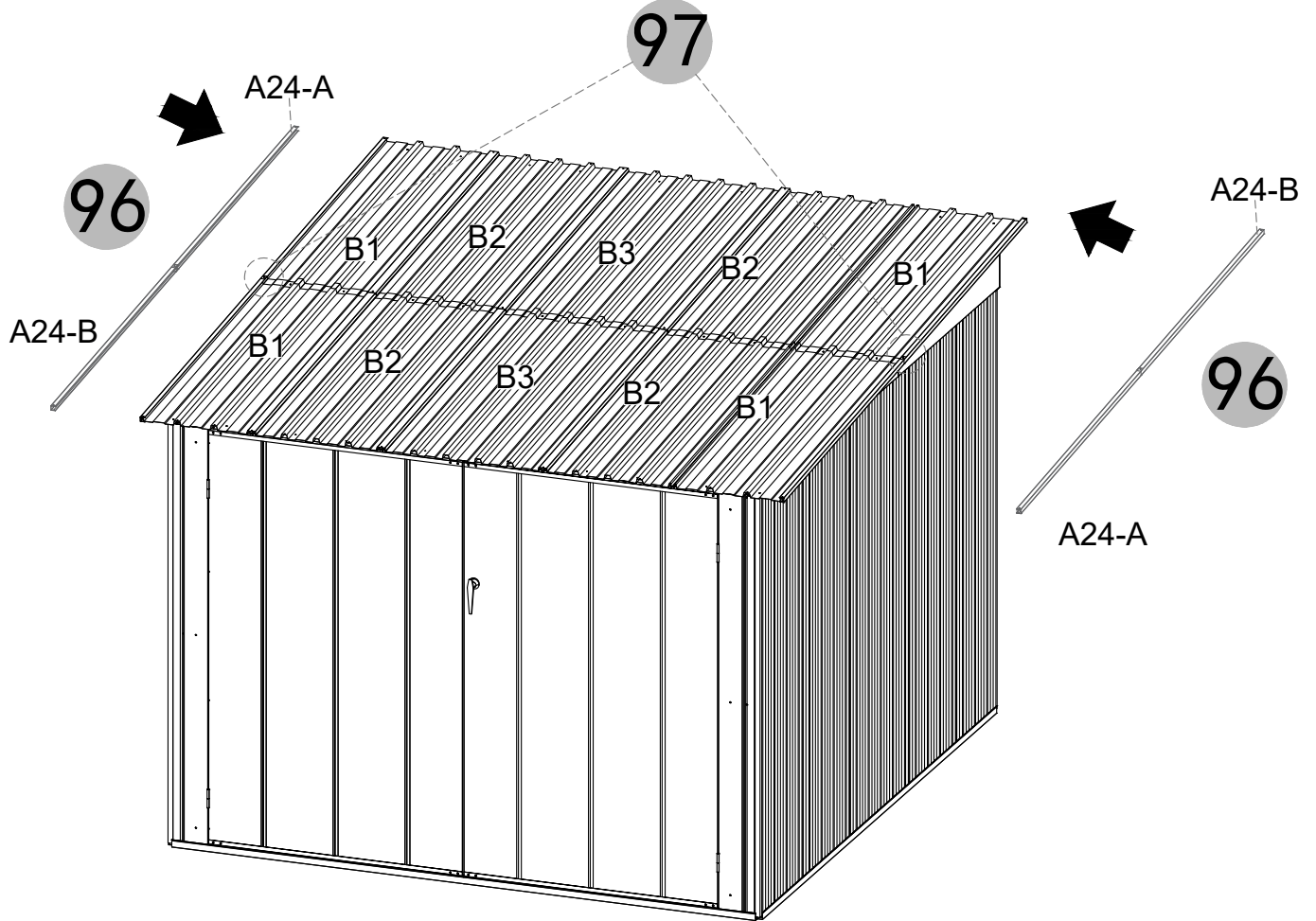
M4. 2X13

H7

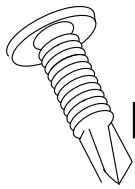


X2

X2



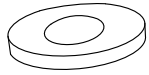
H1



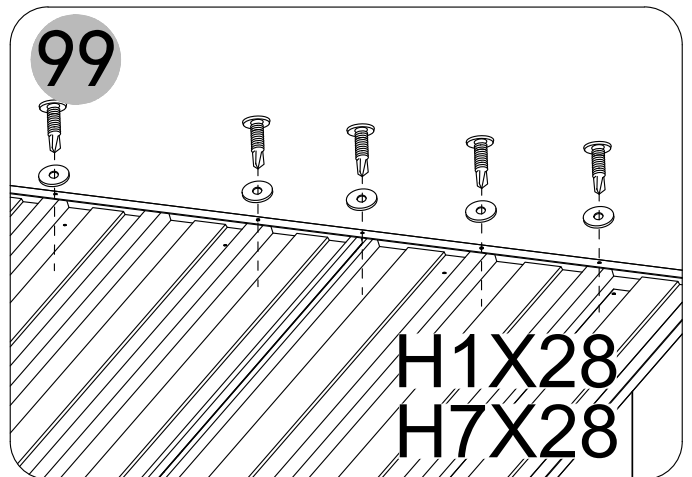
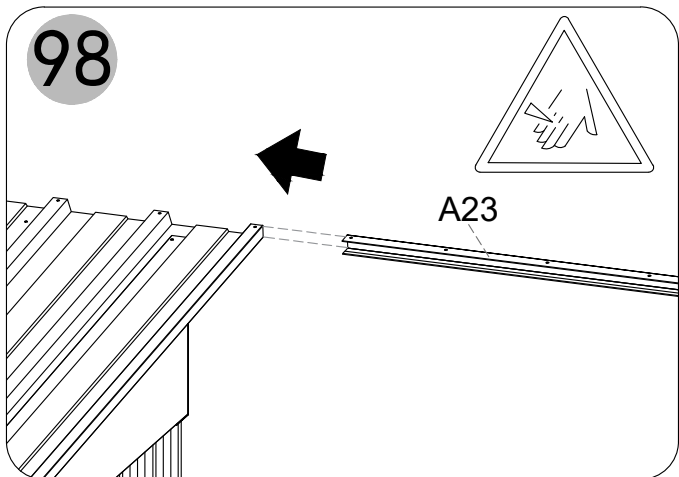
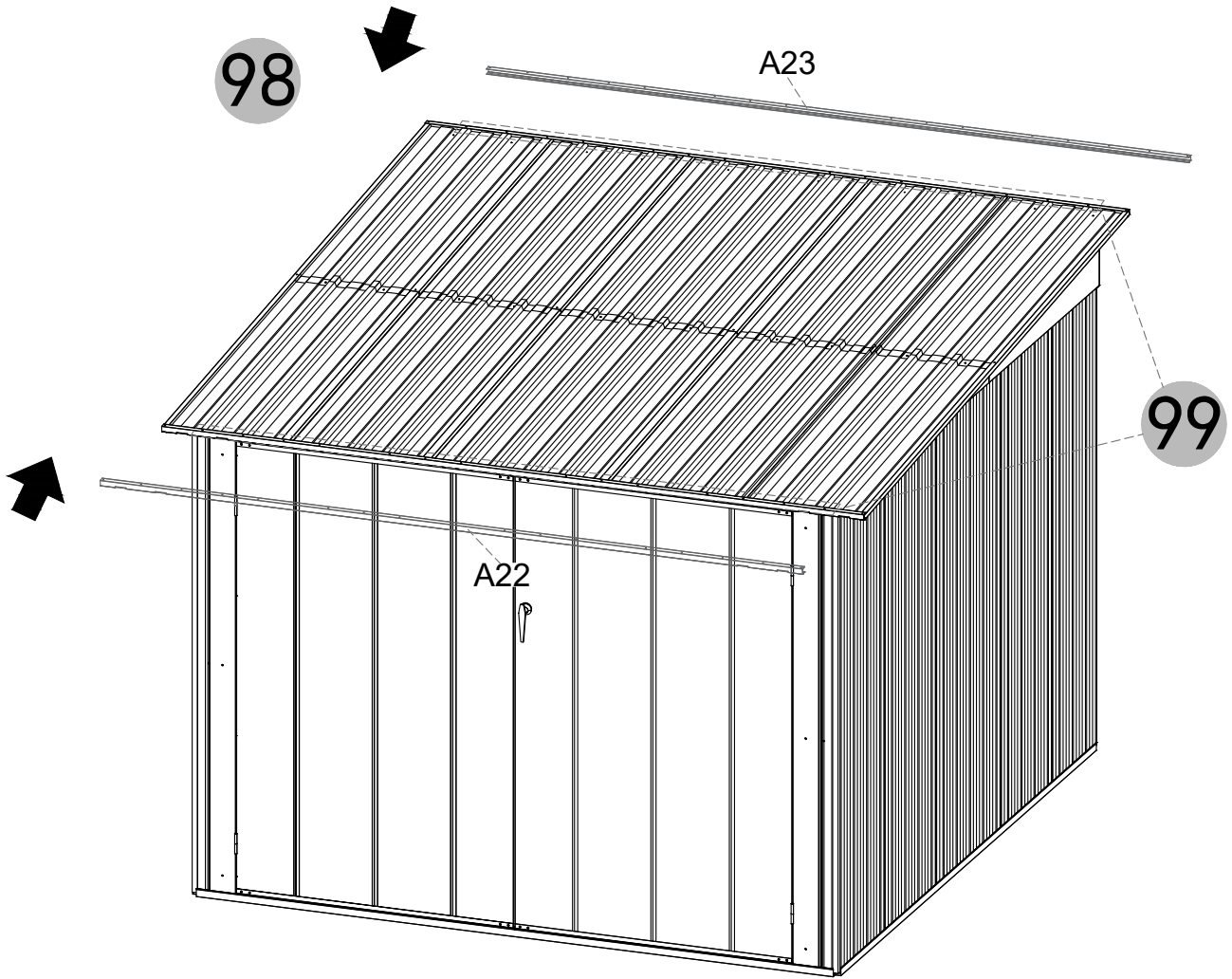
M4. 2X13

X28

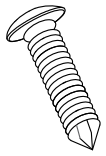
H7



X28



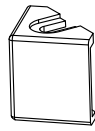
H3



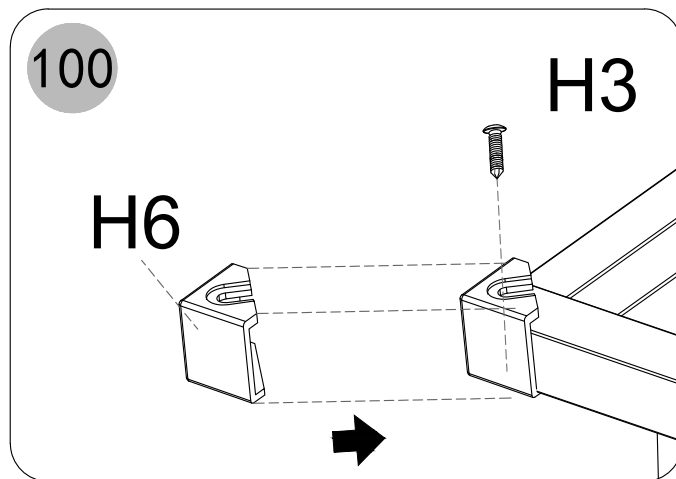
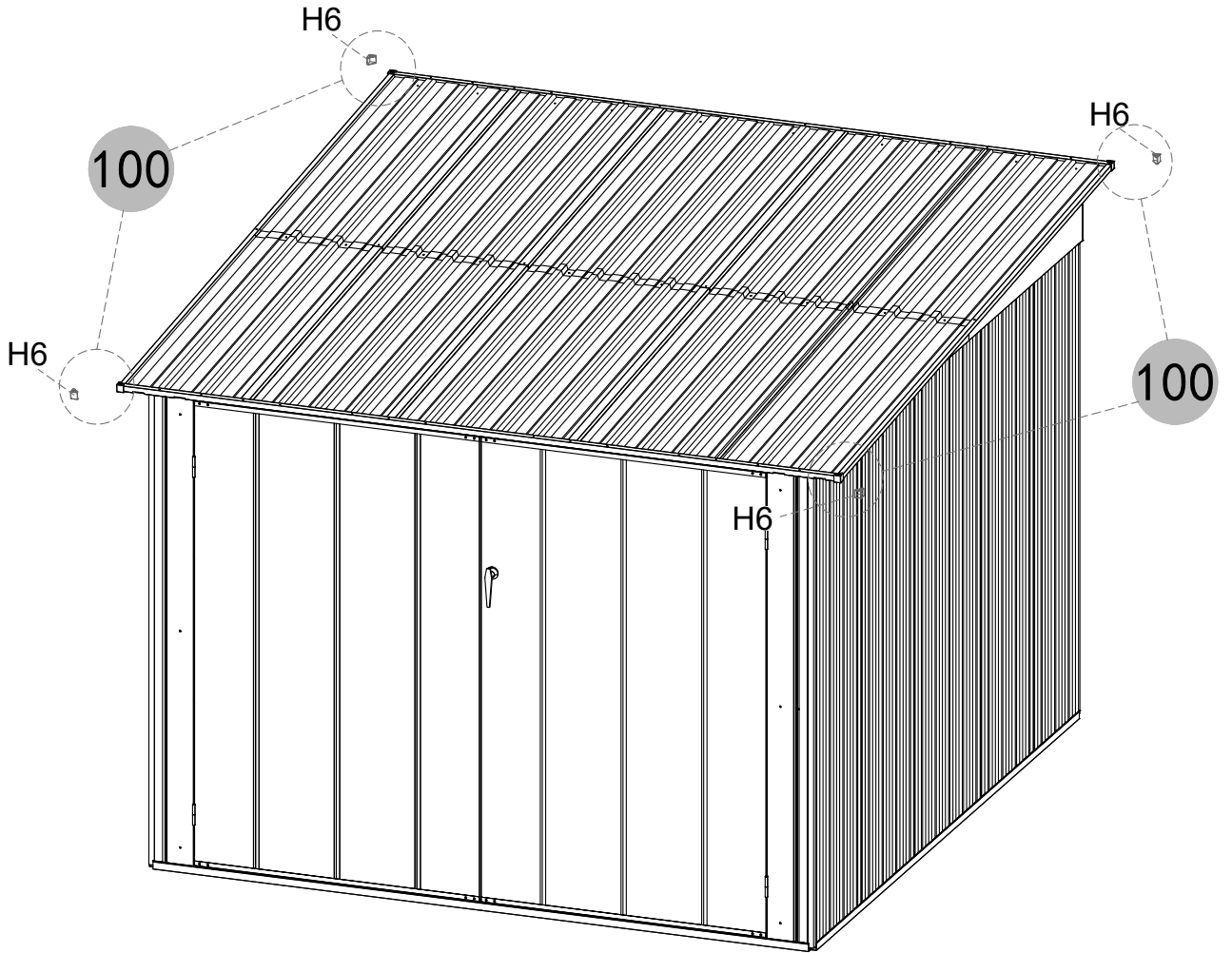
M4. 2X13

X4

H6

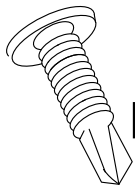


X4



X4

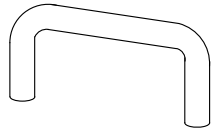
H1



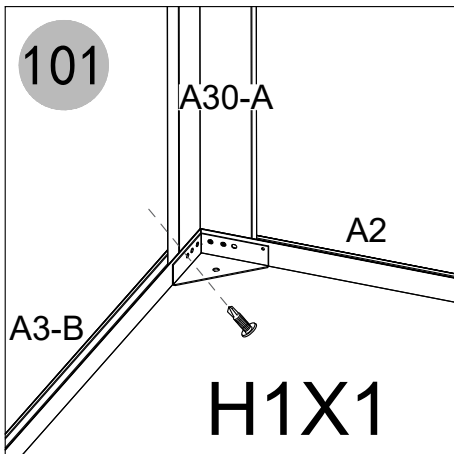
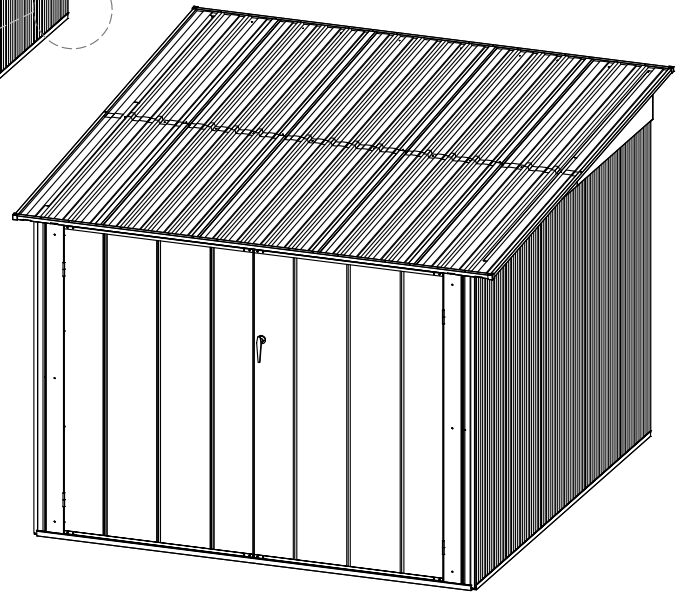
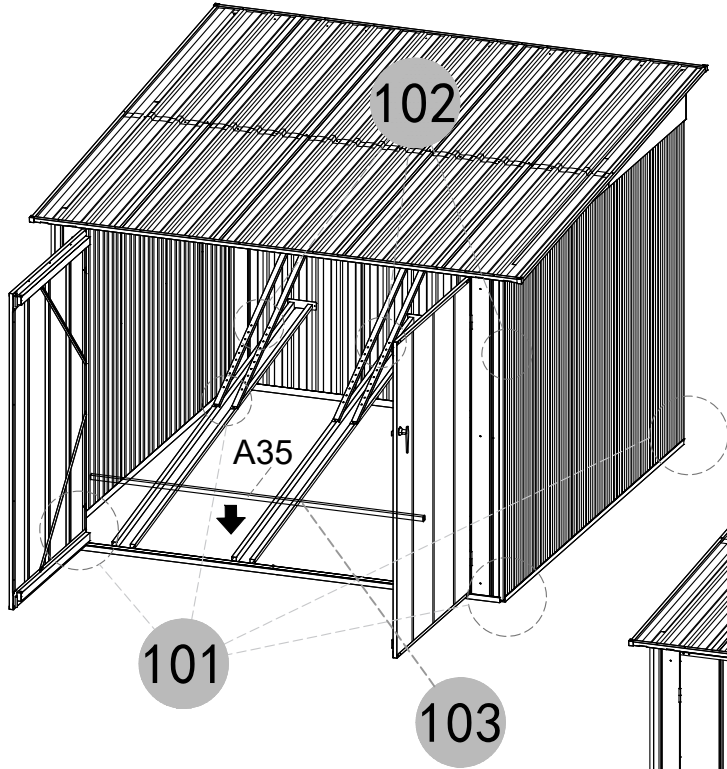
M4. 2X13

X4

H14

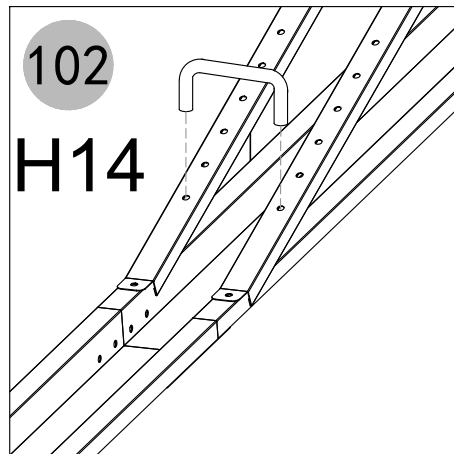


X3



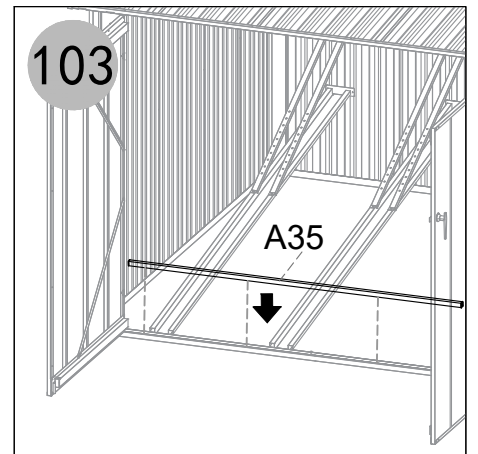
H1X1

X4



102

H14



103

A35

## Contact information

Austria



Belgium



Croatia



Denmark



Estonia



Finland



France



Germany



Ireland



Italy



Latvia



Lithuania



Nederland



Norway



Poland



Portugal



Spain



Sweden



Switzerland



UK

