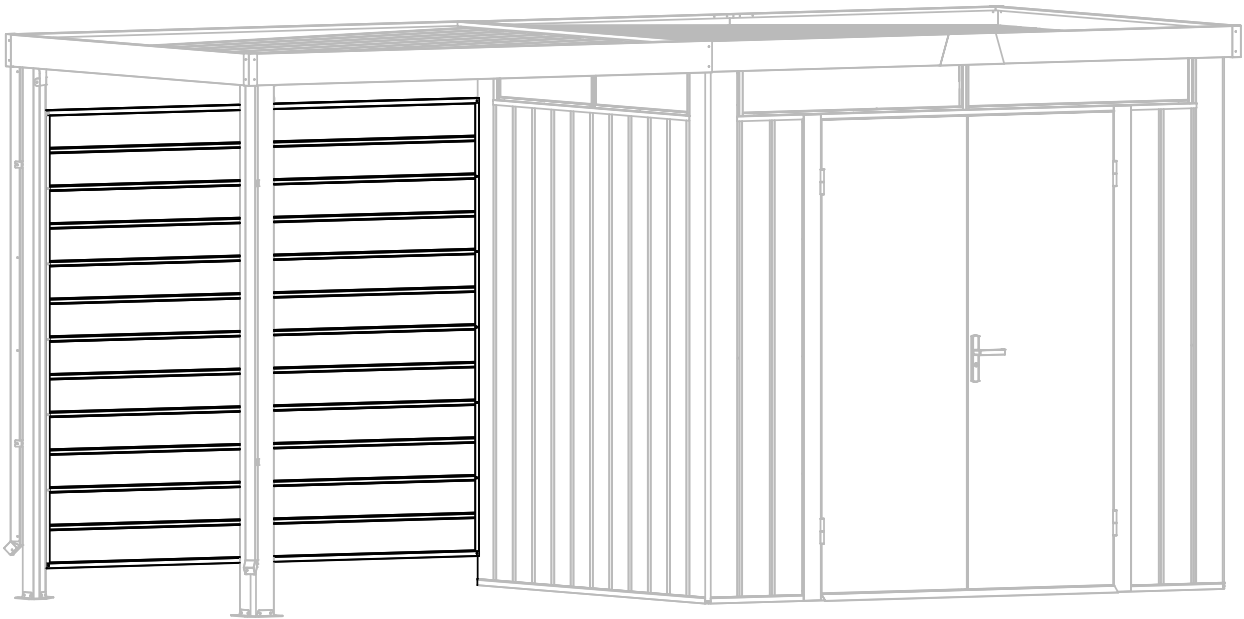


Manual  
for  
Garden Shed Extension Rear Panel  
2,03x1,84m

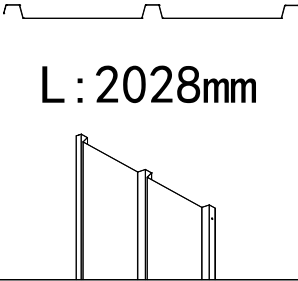

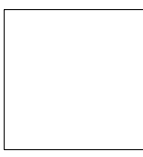
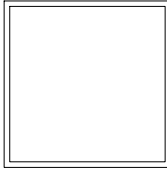


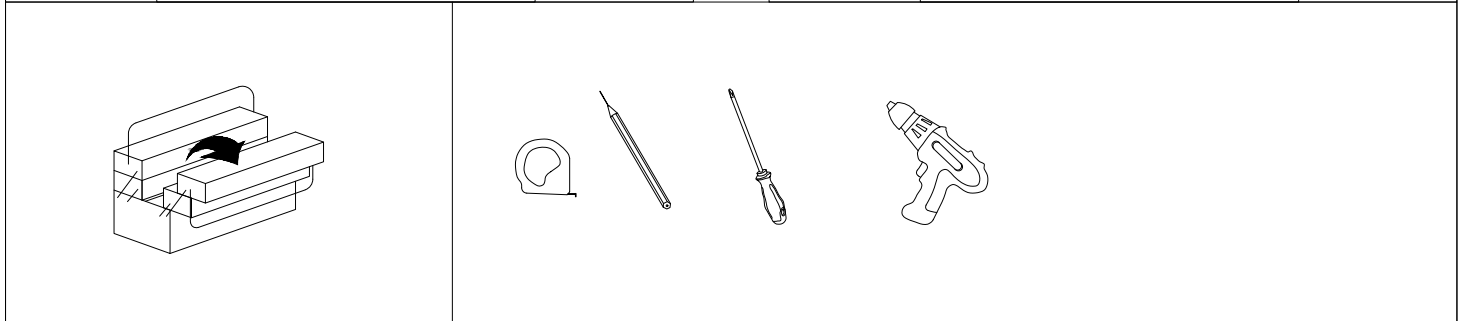
# ASSEMBLY INSTRUCTIONS

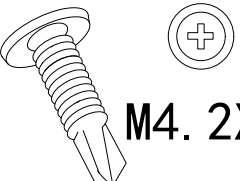

## Garden Shed Extension Rear Panel



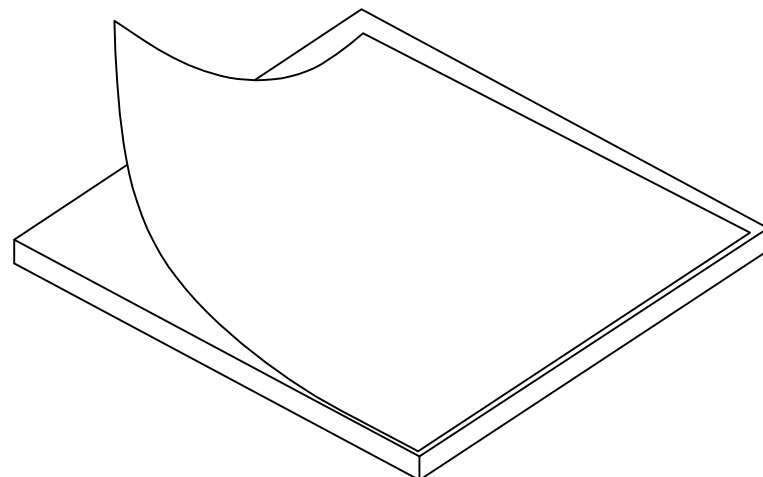
**2030x1840mm**

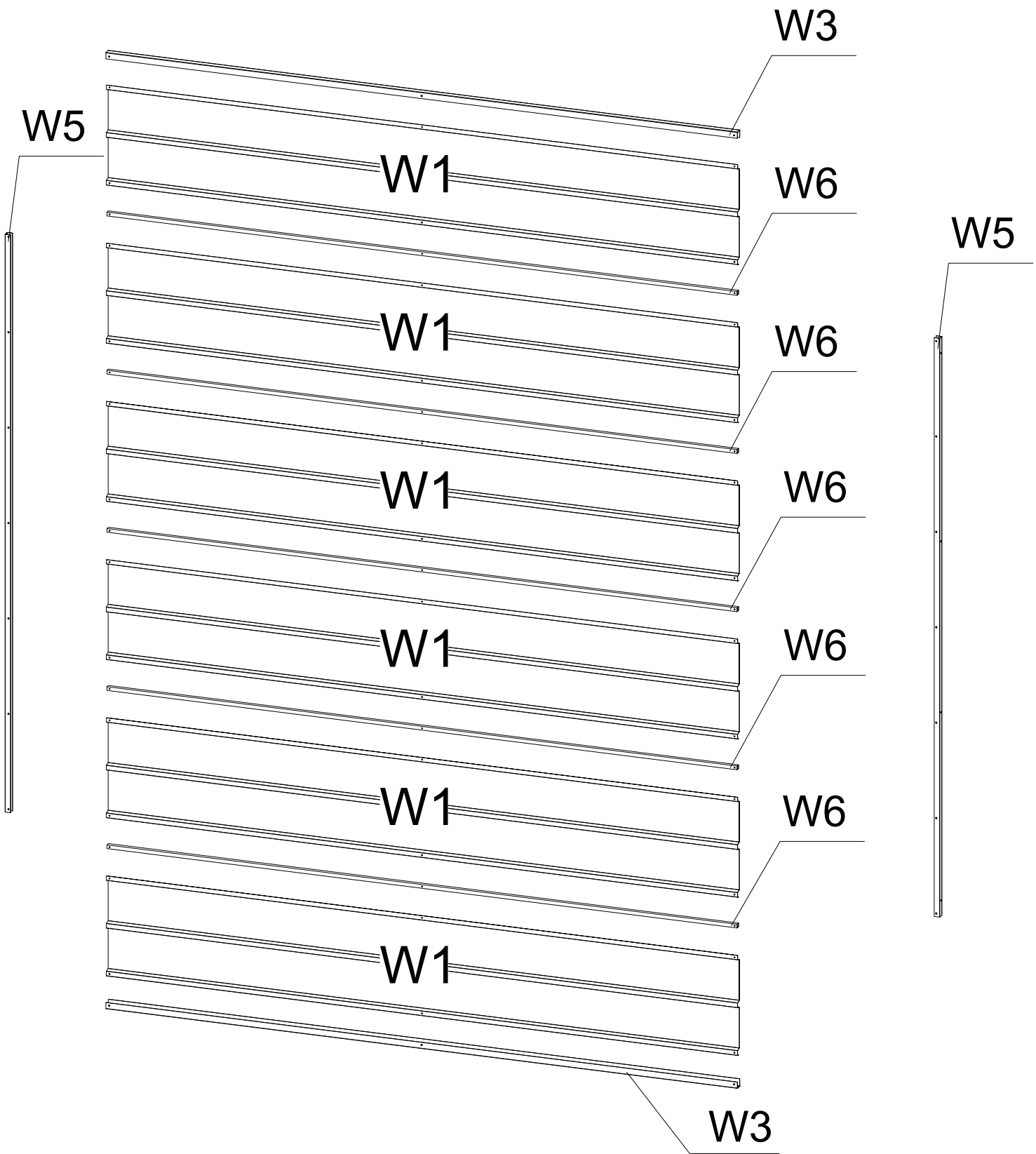
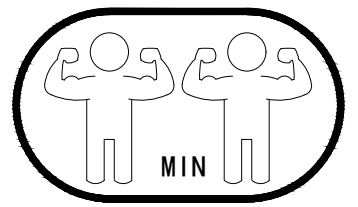
W1	 <p>L: 2028mm</p>	X6	W3	 <p>L: 2030mm</p>	X2
W5	 <p>L: 1844mm</p>	X2	W6	 <p>L: 2028mm</p>	X5



<p><b>H1</b></p>  <p>M4. 2X13</p> <p>X29</p>	 <p>M3</p> <p>X1</p>
---	---

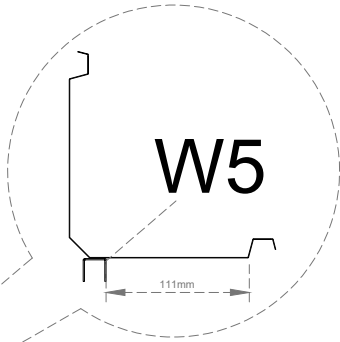
The surface comes with an easy-tear film





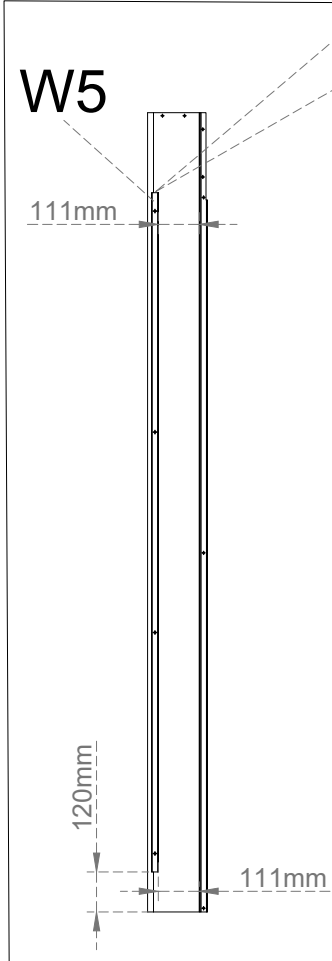


W5 x1



W5

111mm



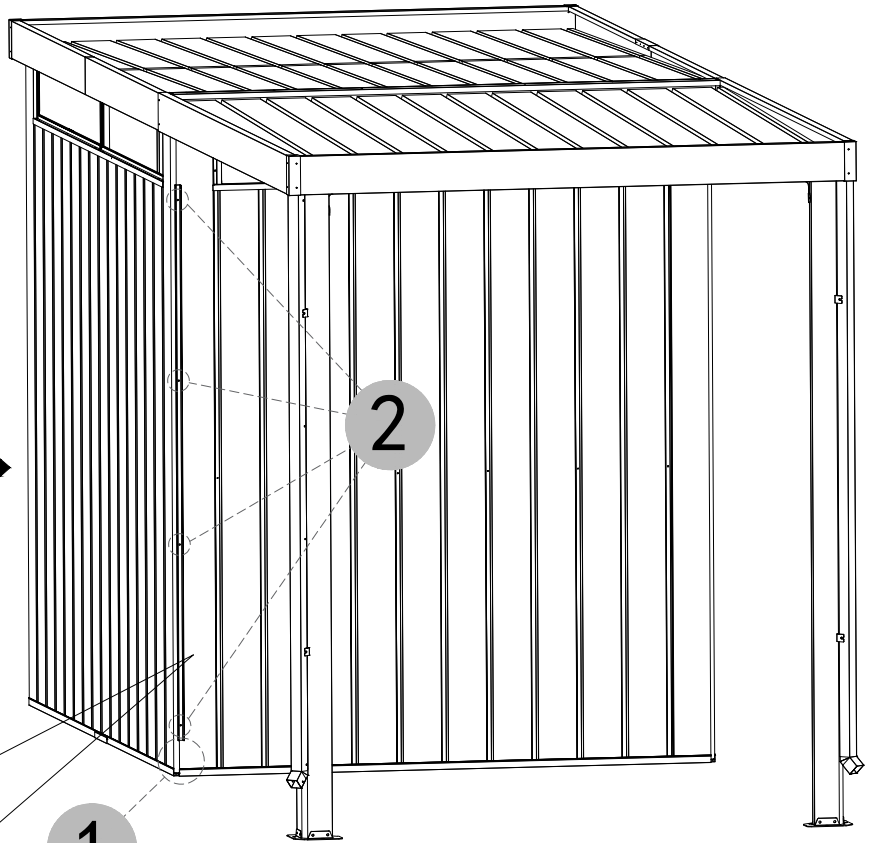
W5

111mm

120mm

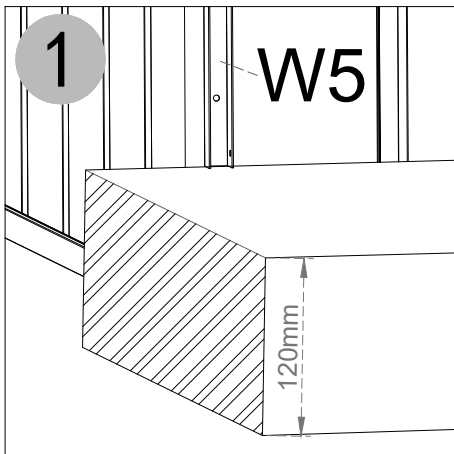
111mm

W5



2

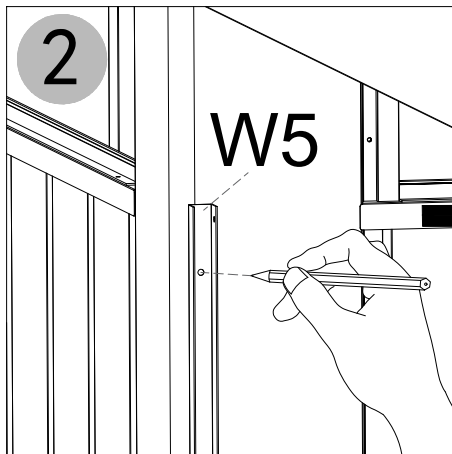
1



1

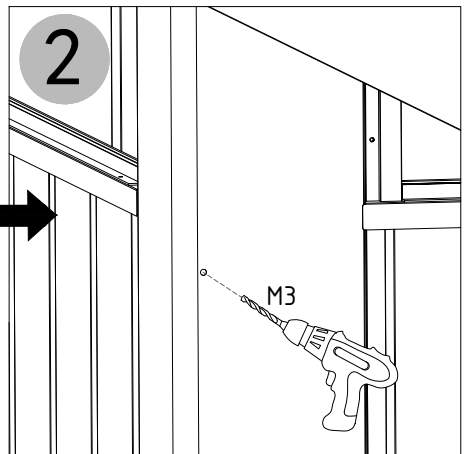
W5

120mm



2

W5



2

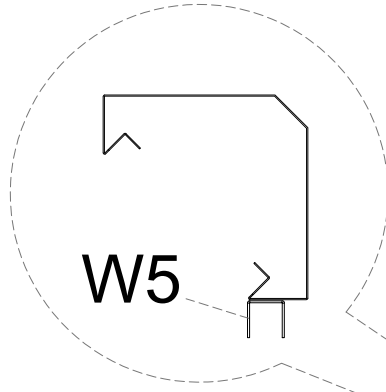
M3

X4

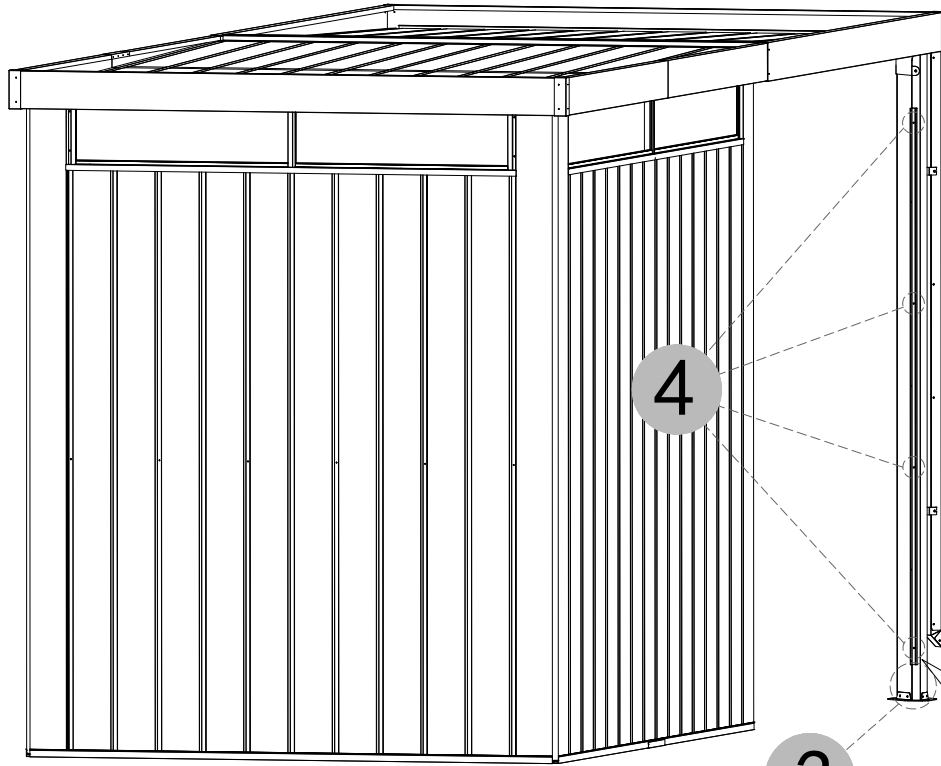
X4



W5 x1



W5



W5

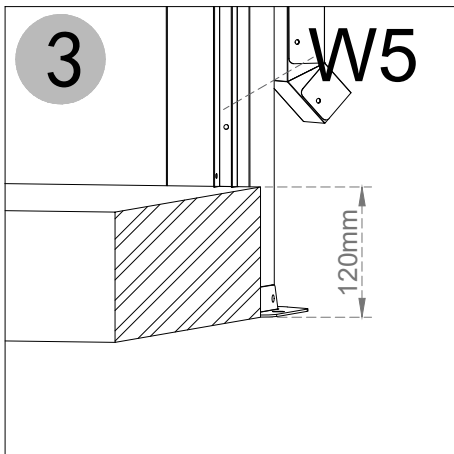
W5



4

3

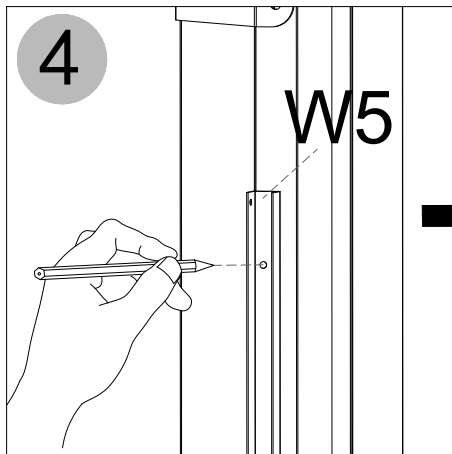
120mm



3

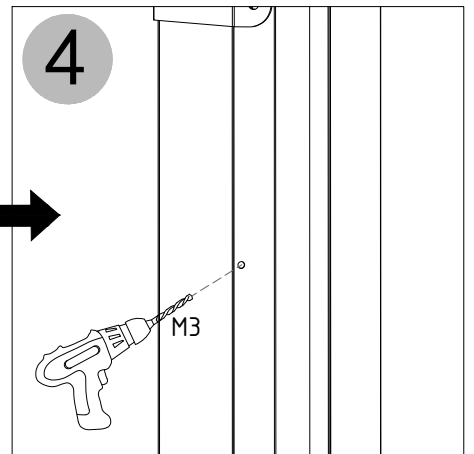
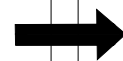
W5

120mm



4

W5



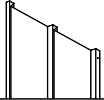
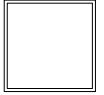
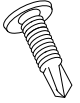
4

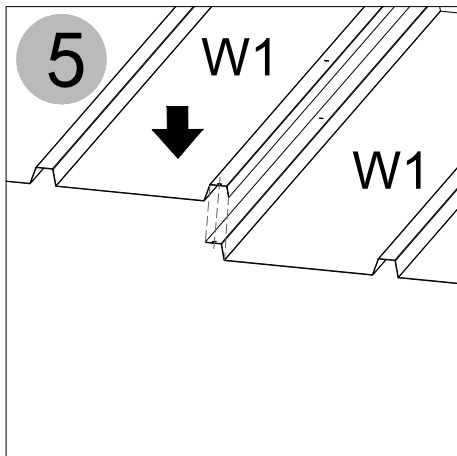
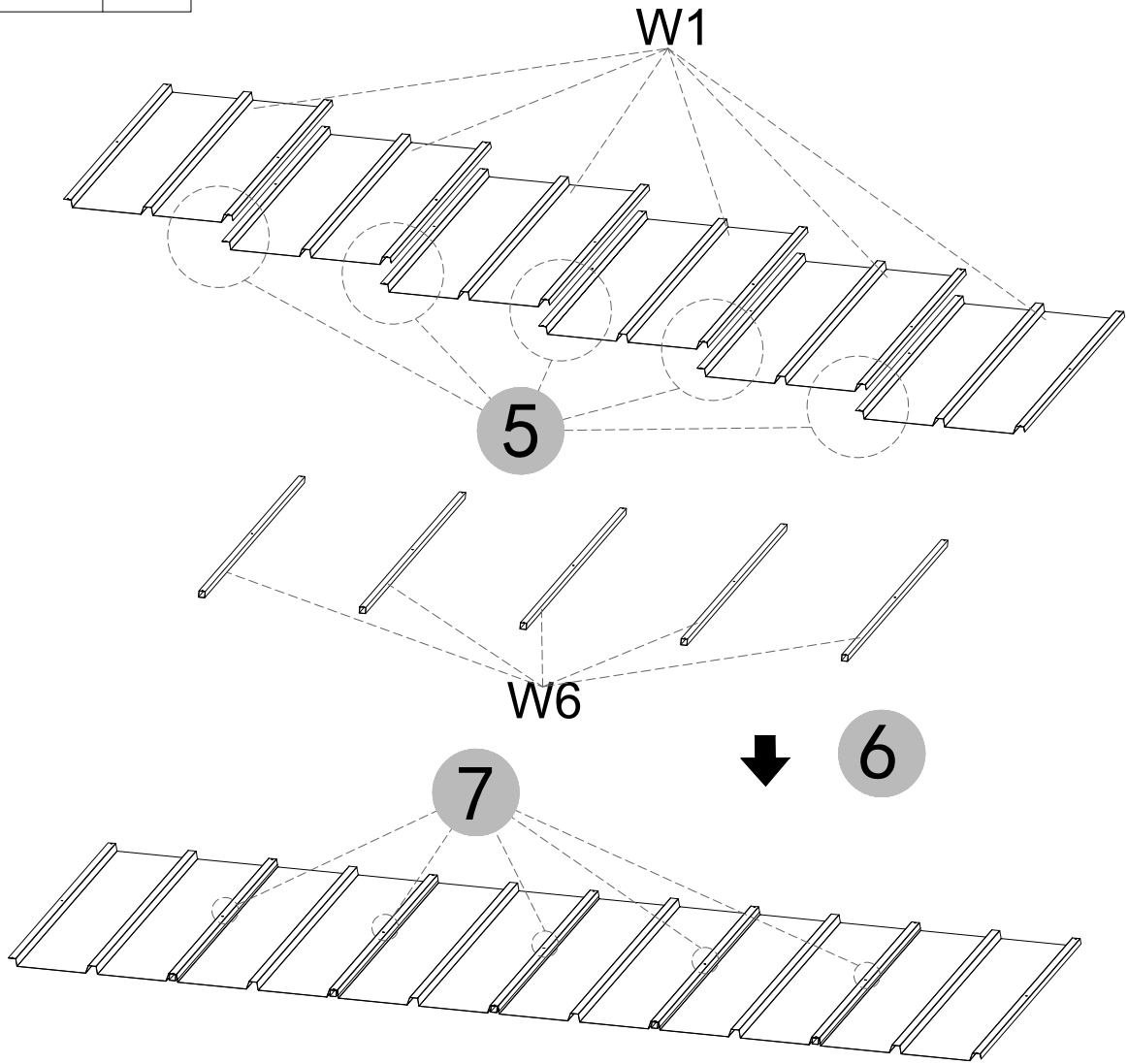
M3

X4

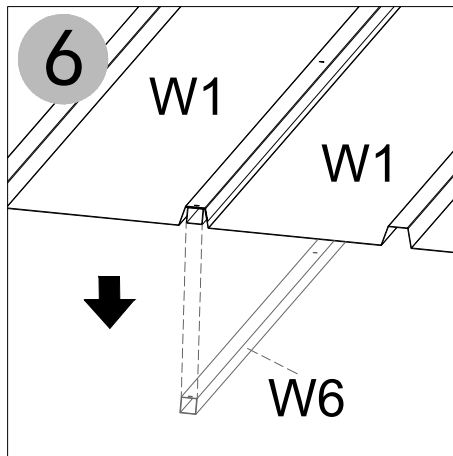
X4

<5>

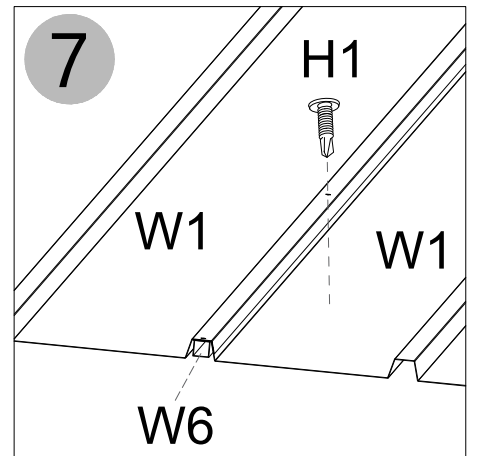
	W1	x6
	W6	x5
	H1	x5



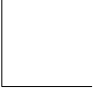

X5

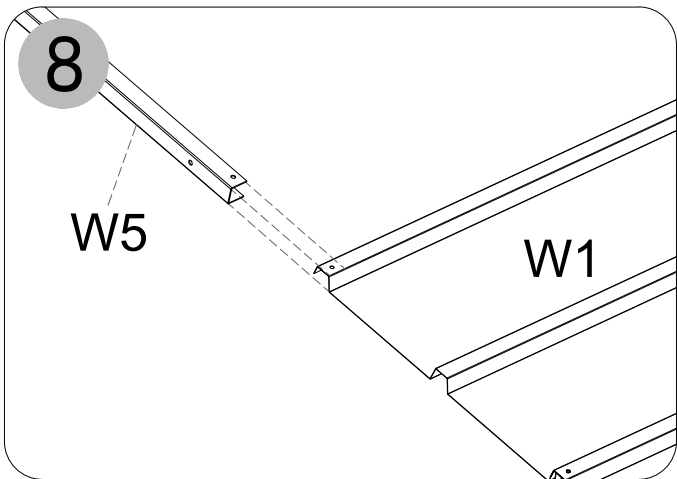
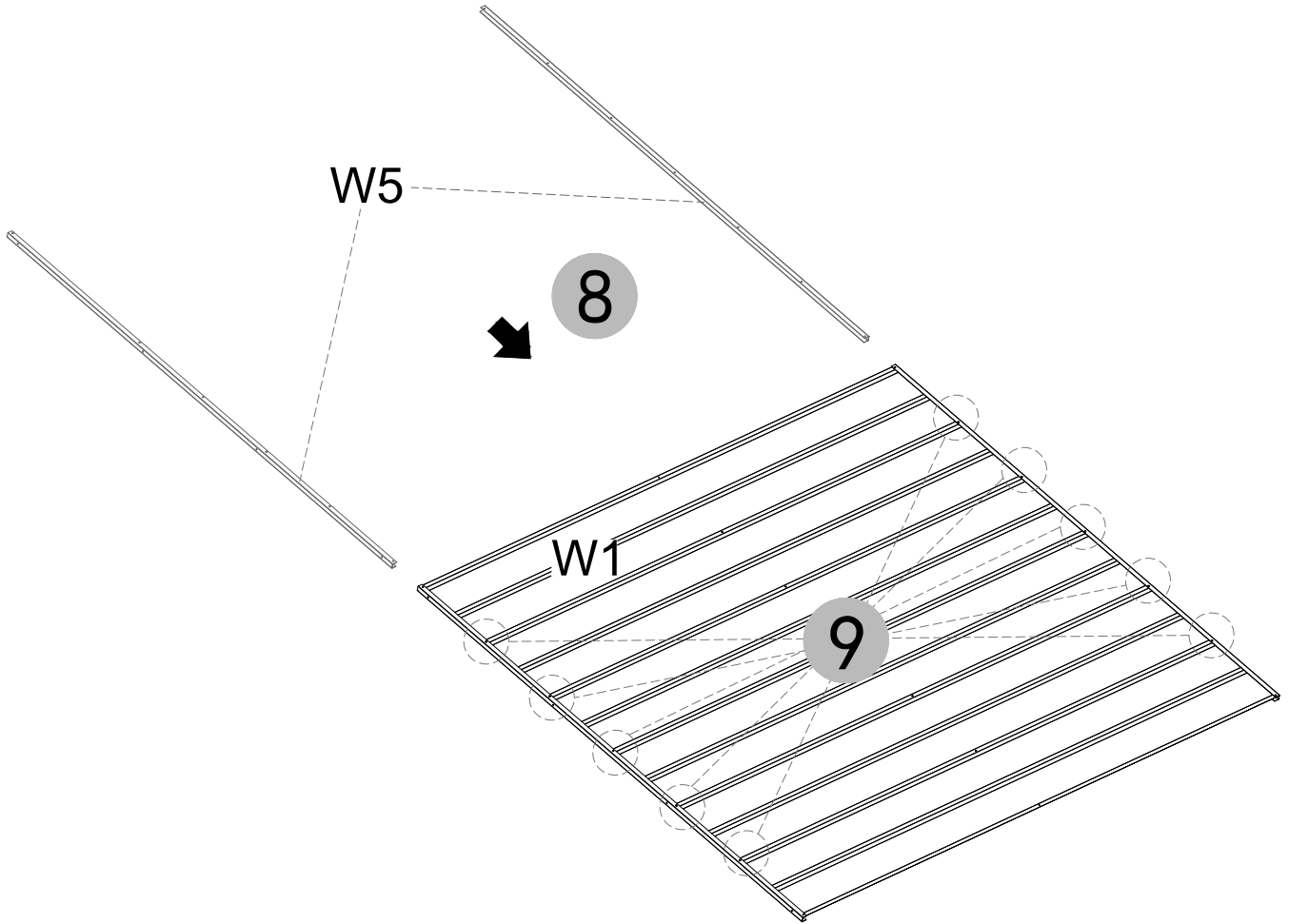


X5

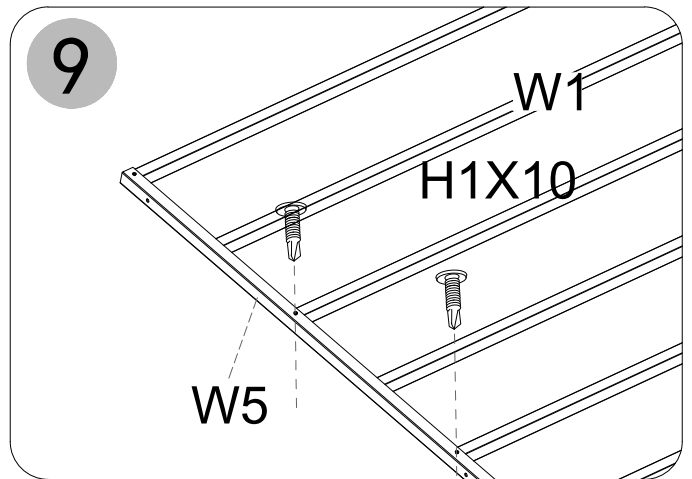




X5

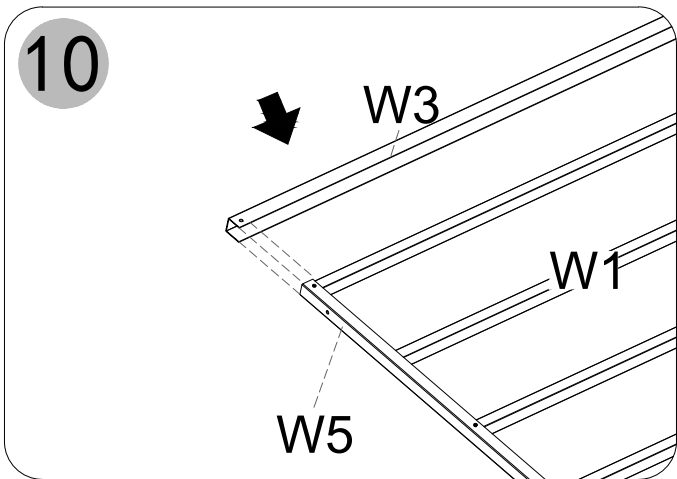
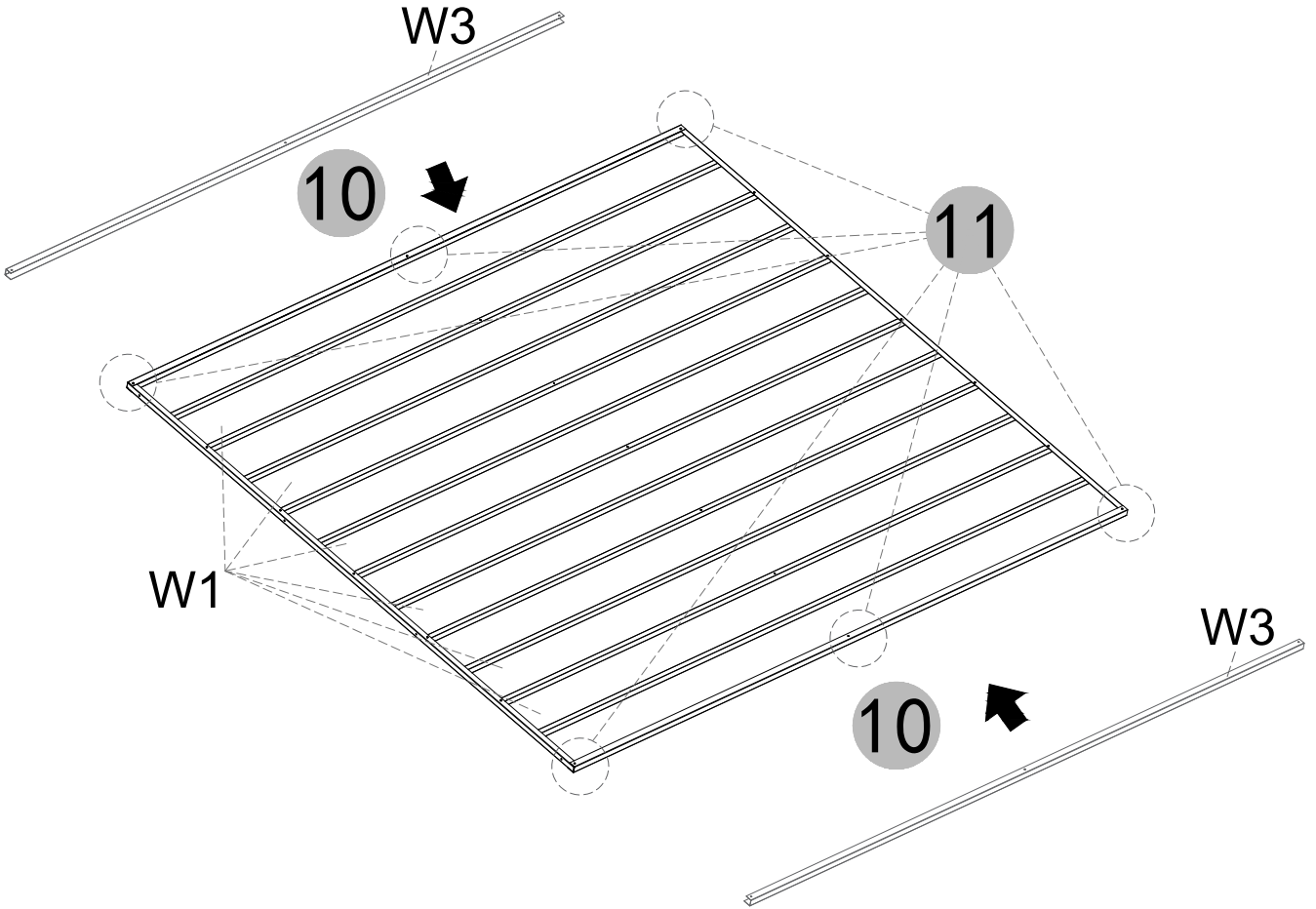
	W5	x2
	H1	x10



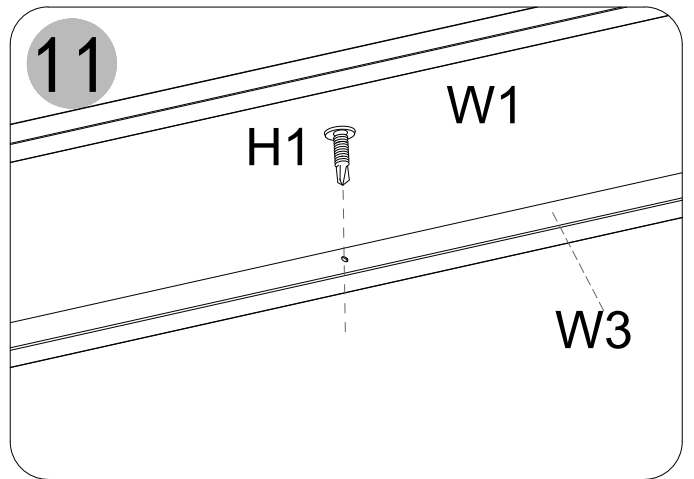
X2



	W3	x2
	H1	x6



X2

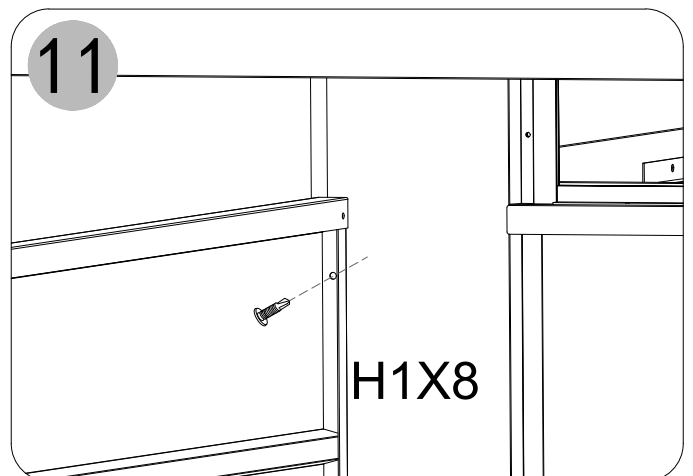
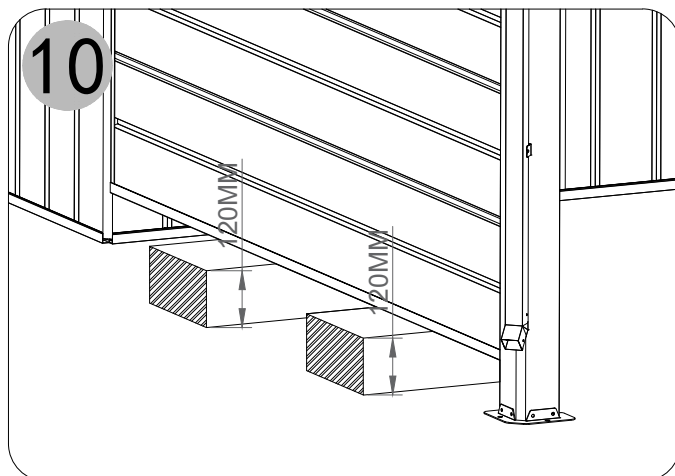
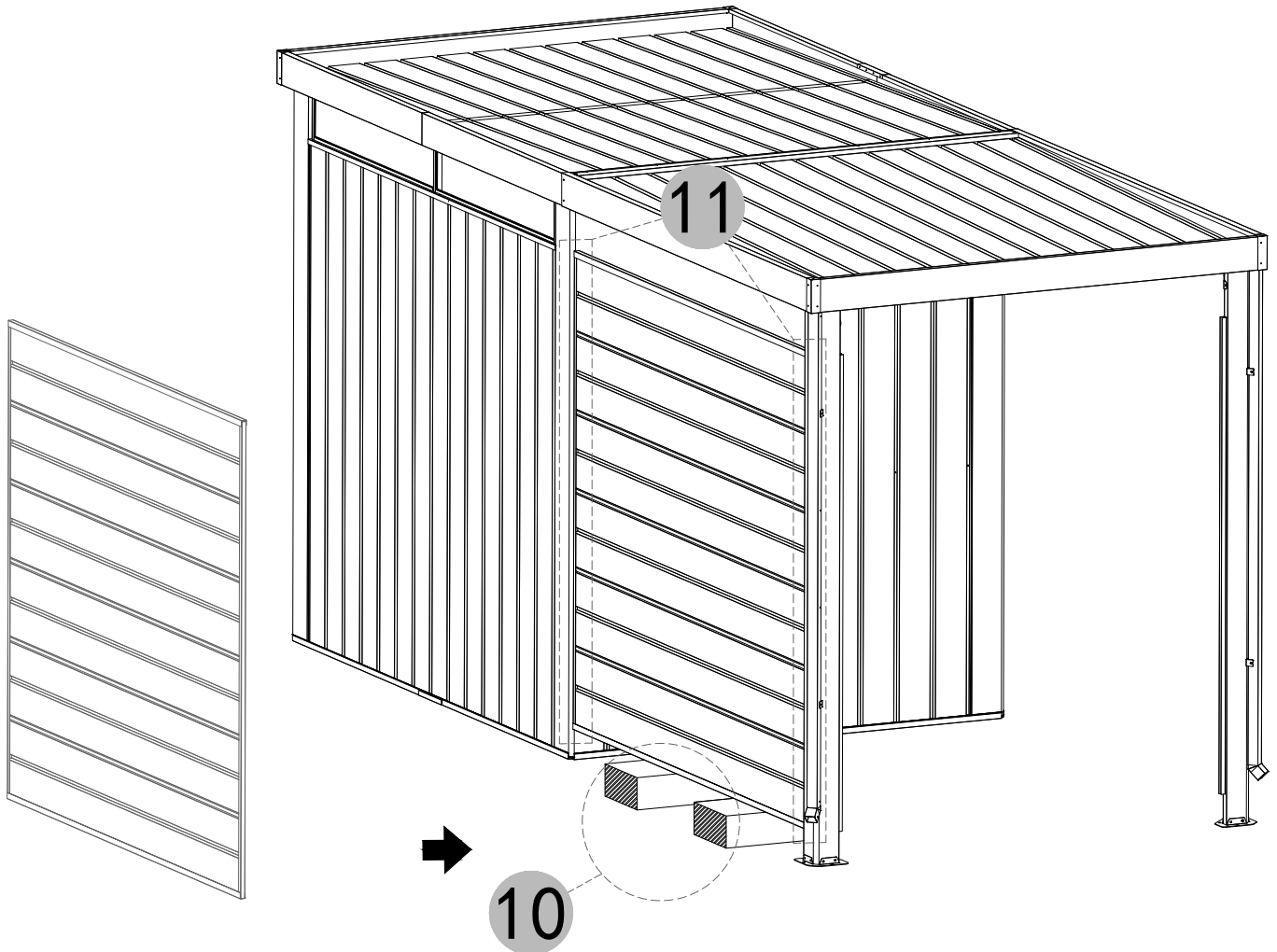


X2



H1

x8



## Contact information

Austria



Belgium



Croatia



Denmark



Estonia



Finland



France



Germany



Ireland



Italy



Latvia



Lithuania



Nederland



Norway



Poland



Portugal



Spain



Sweden



Switzerland



UK

