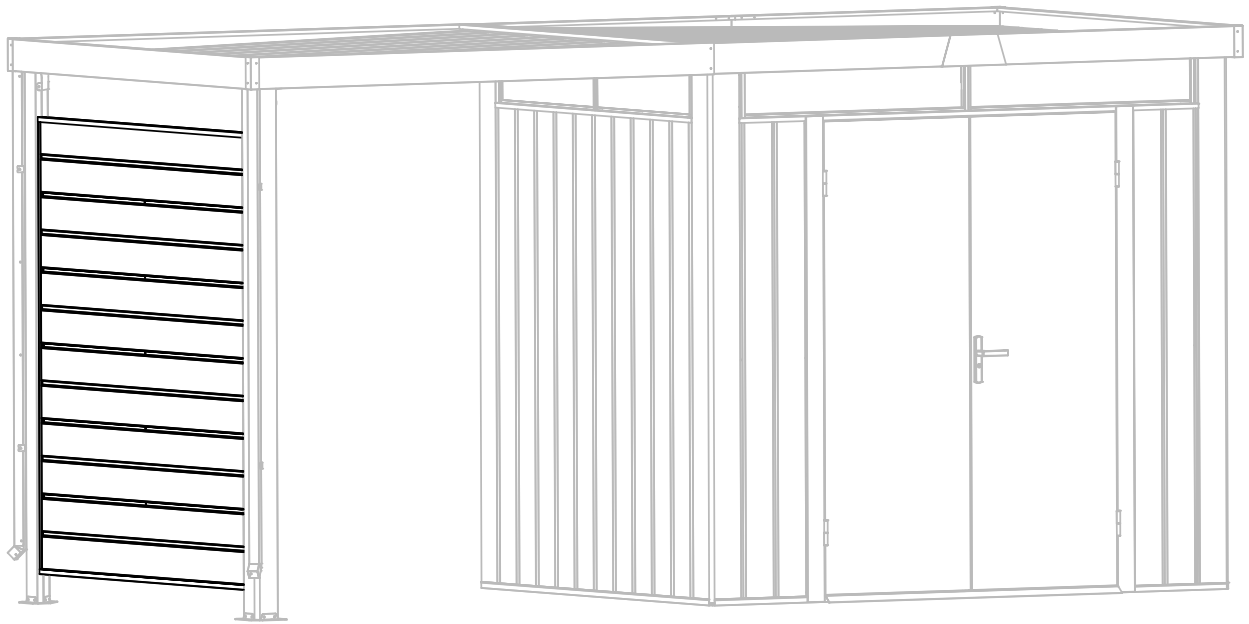


Manual
for
Garden Shed Extension Side Panel
1,63x1,84m

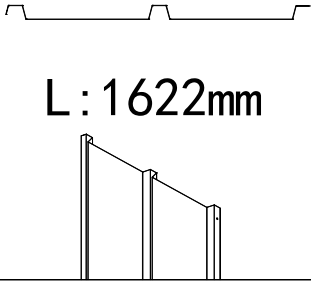

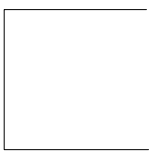
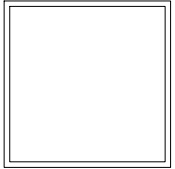


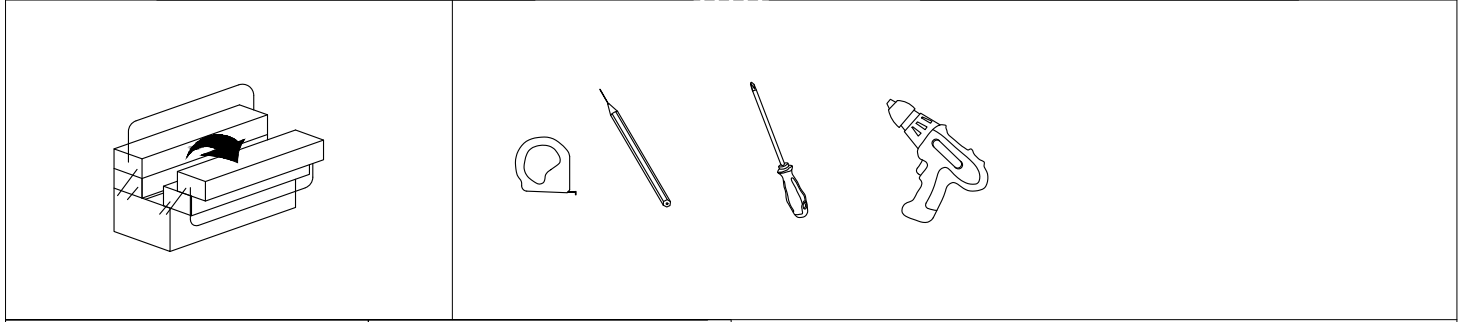
ASSEMBLY INSTRUCTIONS

Garden Shed Extension Side Panel

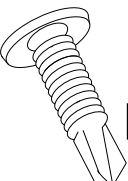


1630x1840mm

W2	 <p>L: 1622mm</p>	X6	W4	 <p>L: 1623mm</p>	X2
W5	 <p>L: 1844mm</p>	X2	W7	 <p>L: 1622mm</p>	X5




H1



M4. 2X13

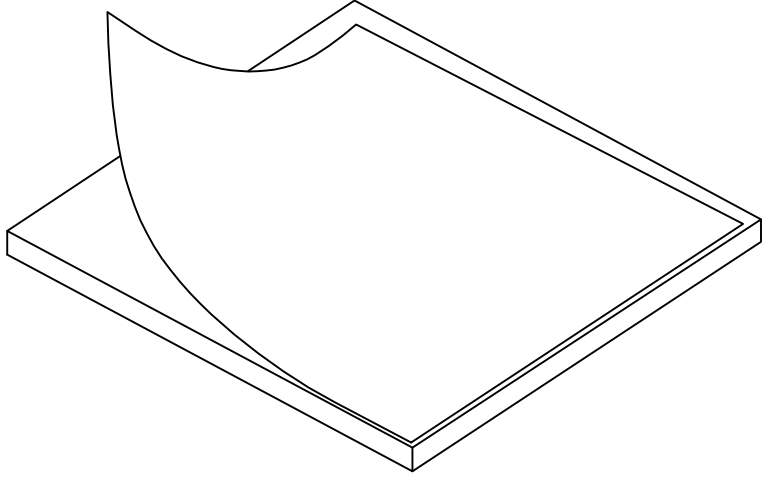
X29

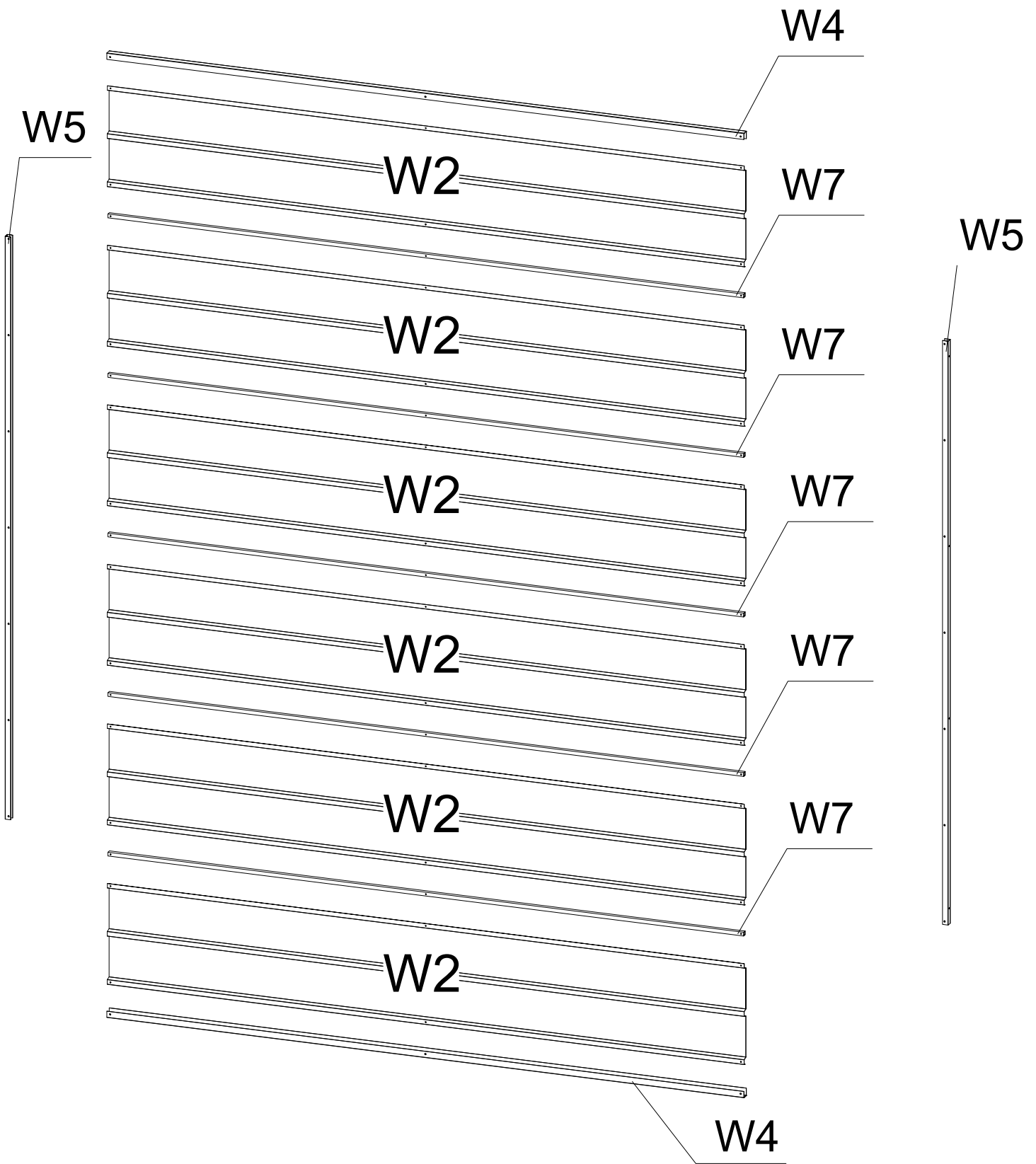
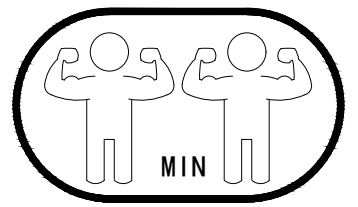


M3

X1

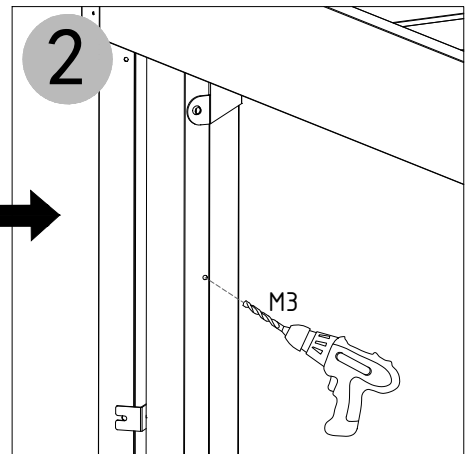
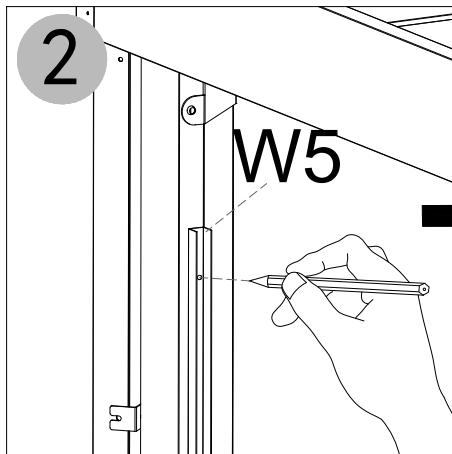
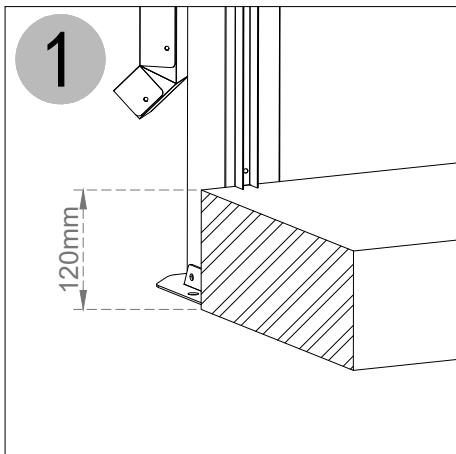
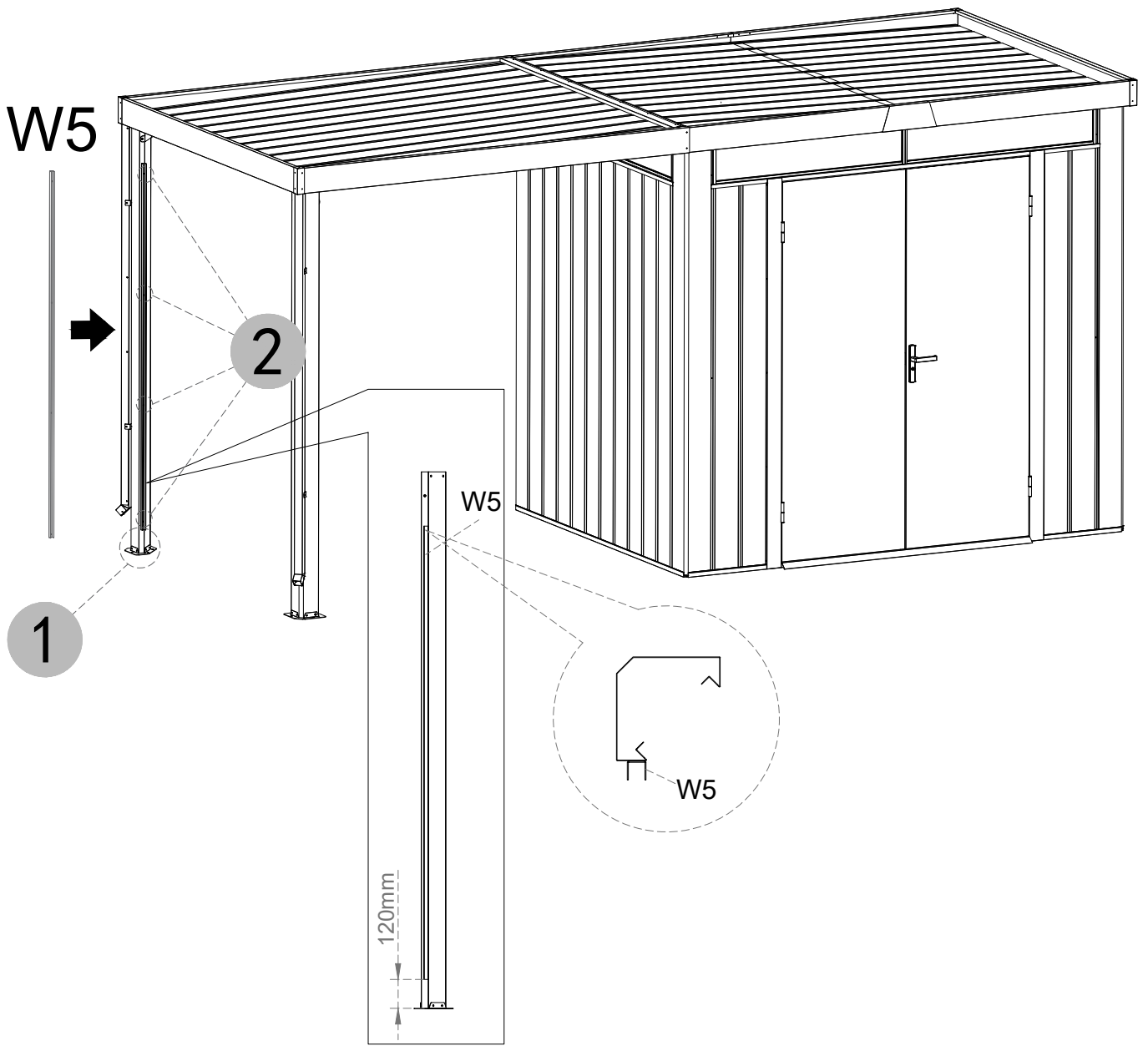
The surface comes with an easy-tear film







W5 x1

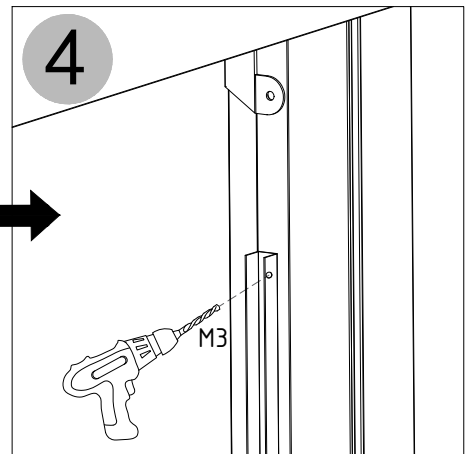
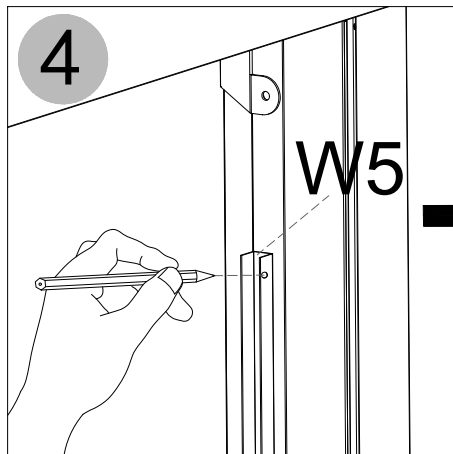
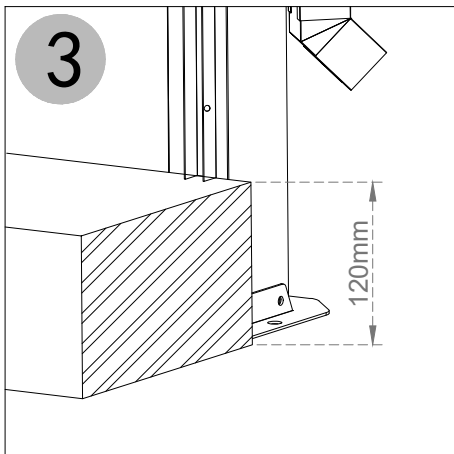
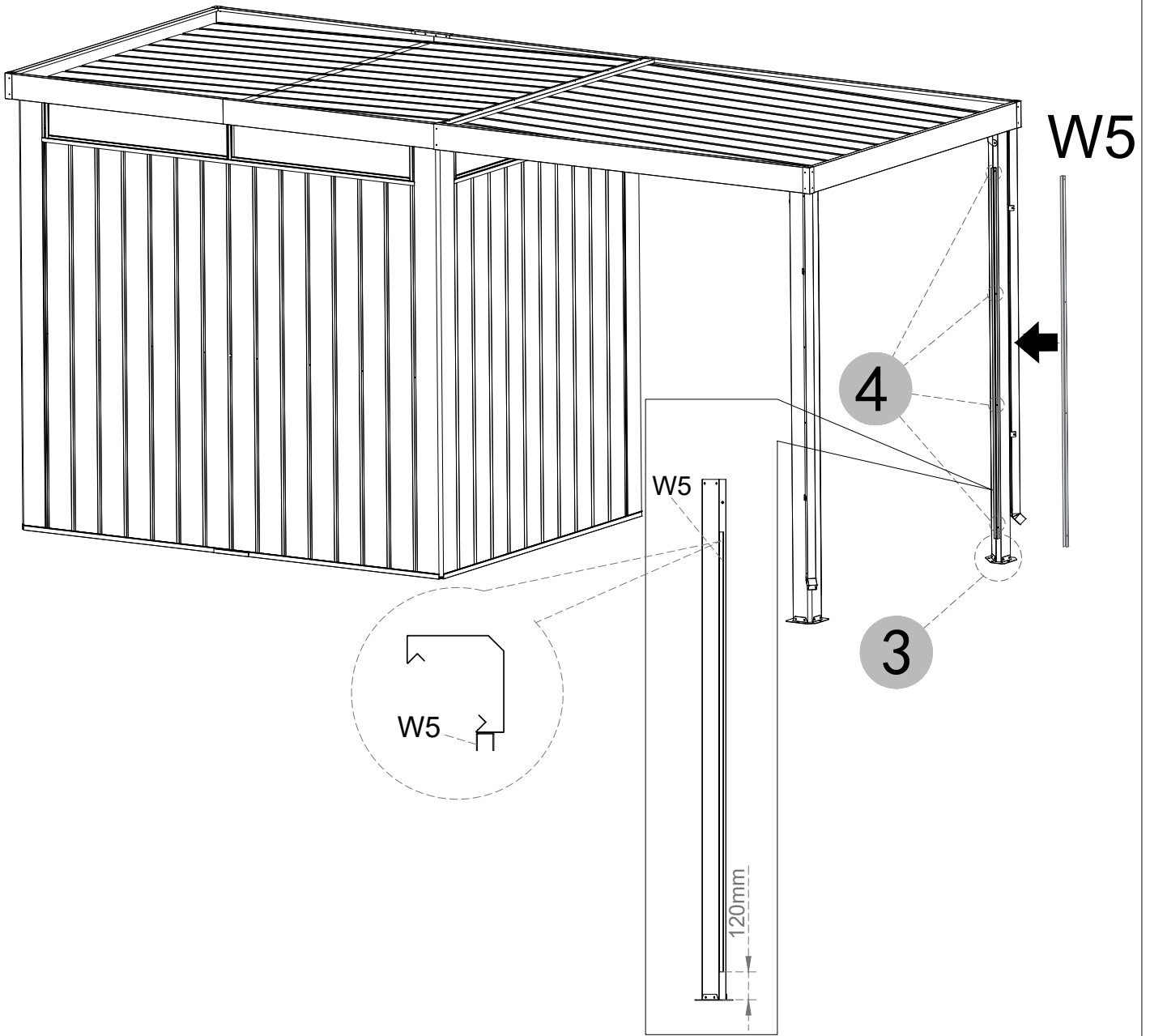


X4

X4



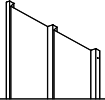
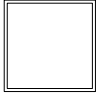

W5 x1

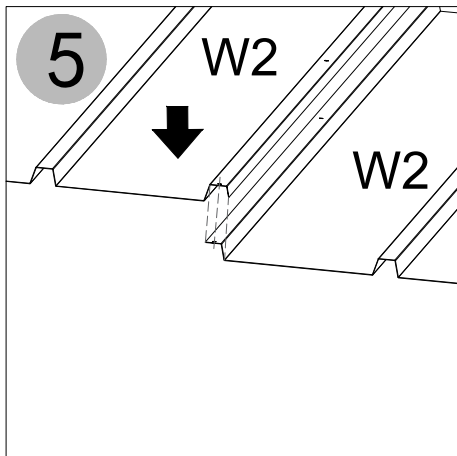
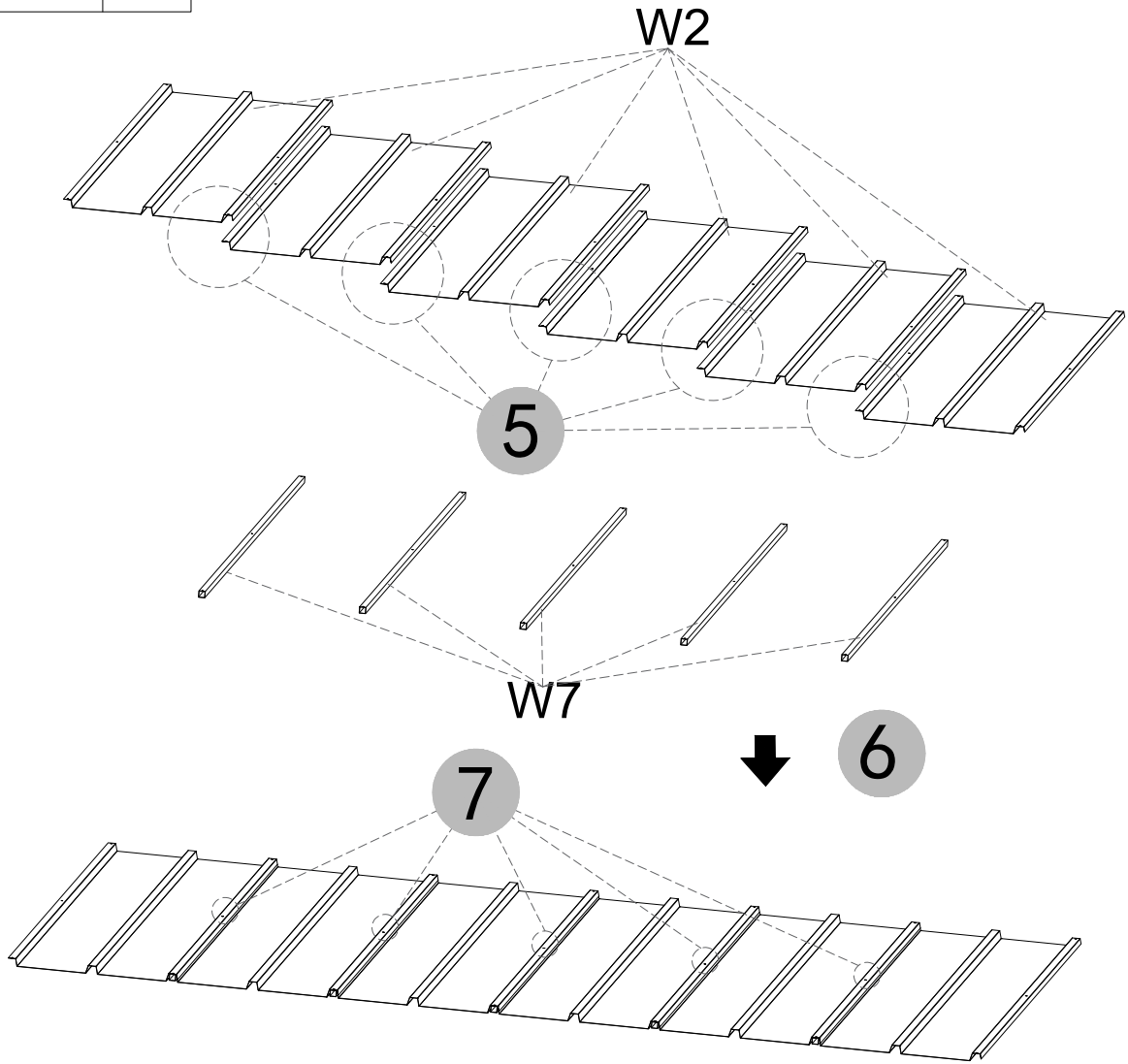


X4

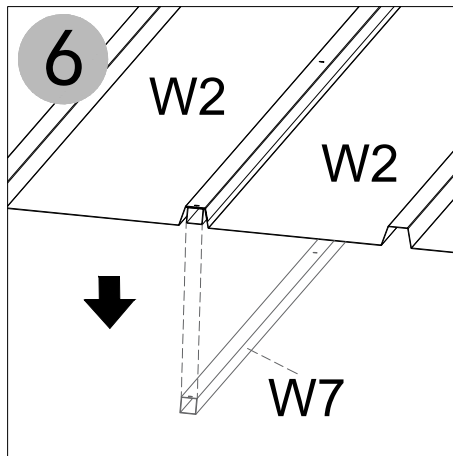
X4

<5>

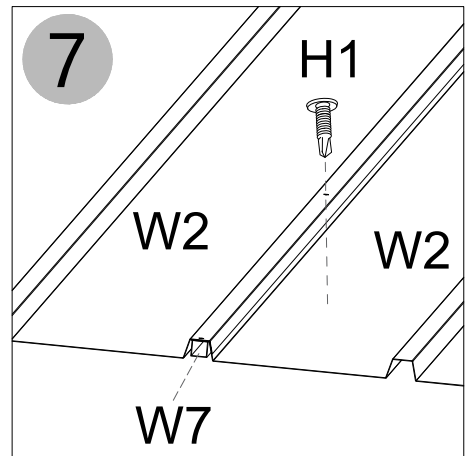
	W2	x6
	W7	x5
	H1	x5



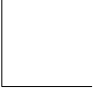

X5

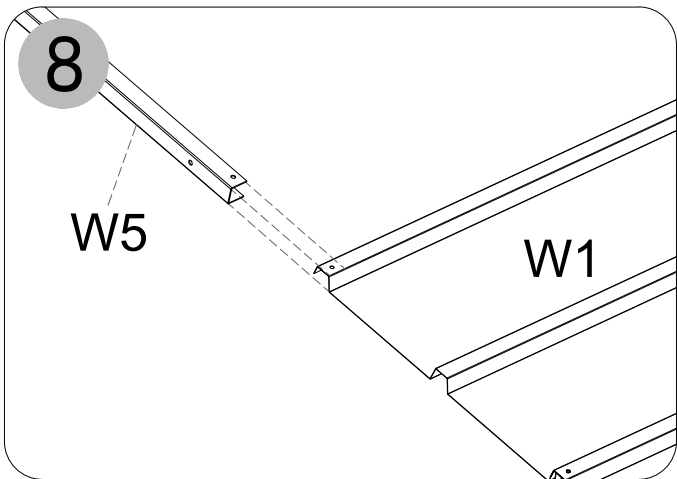
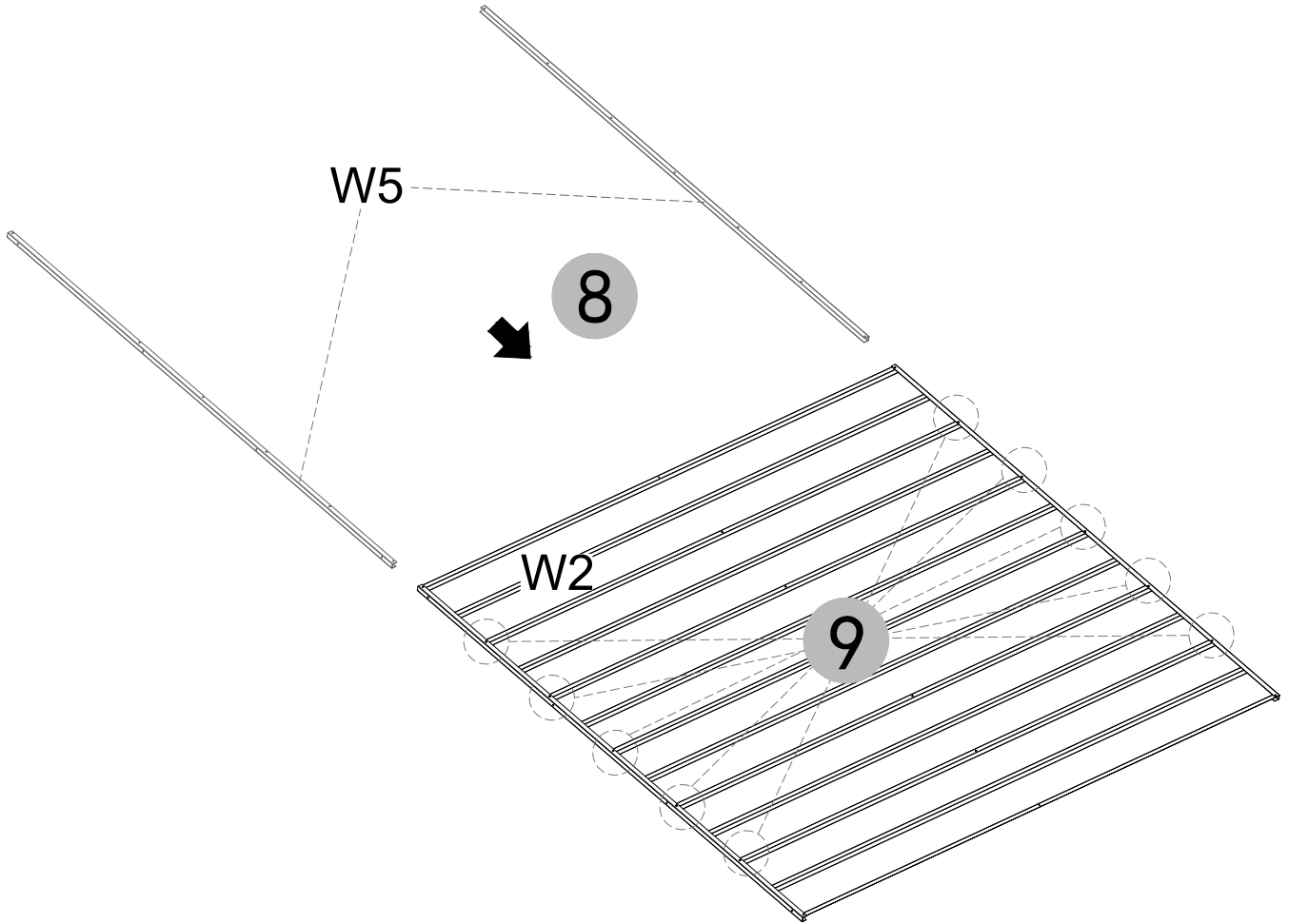


X5

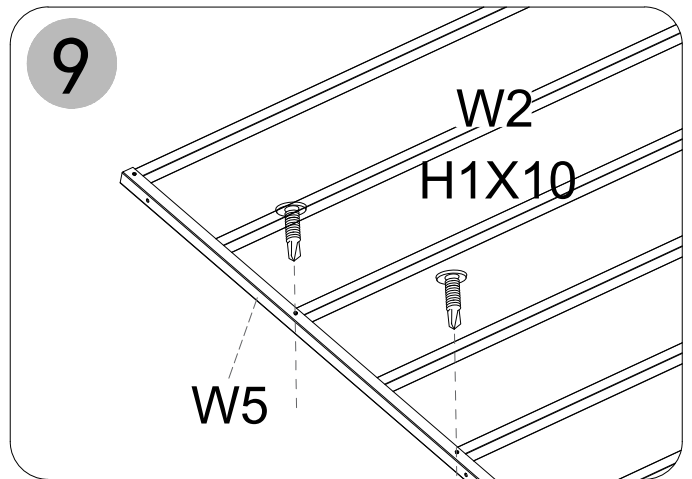




X5

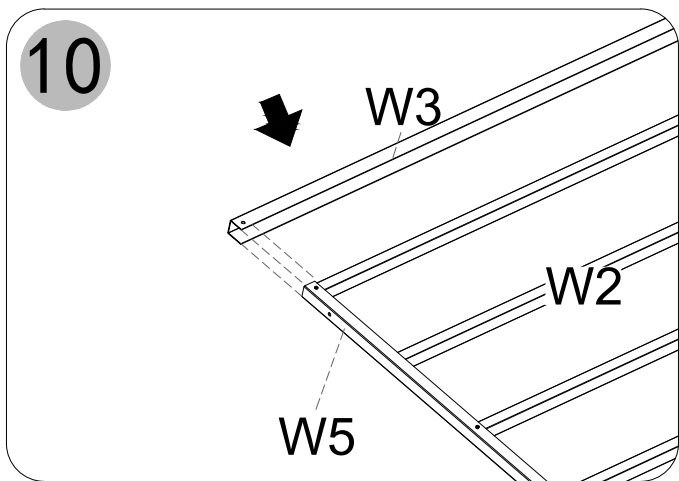
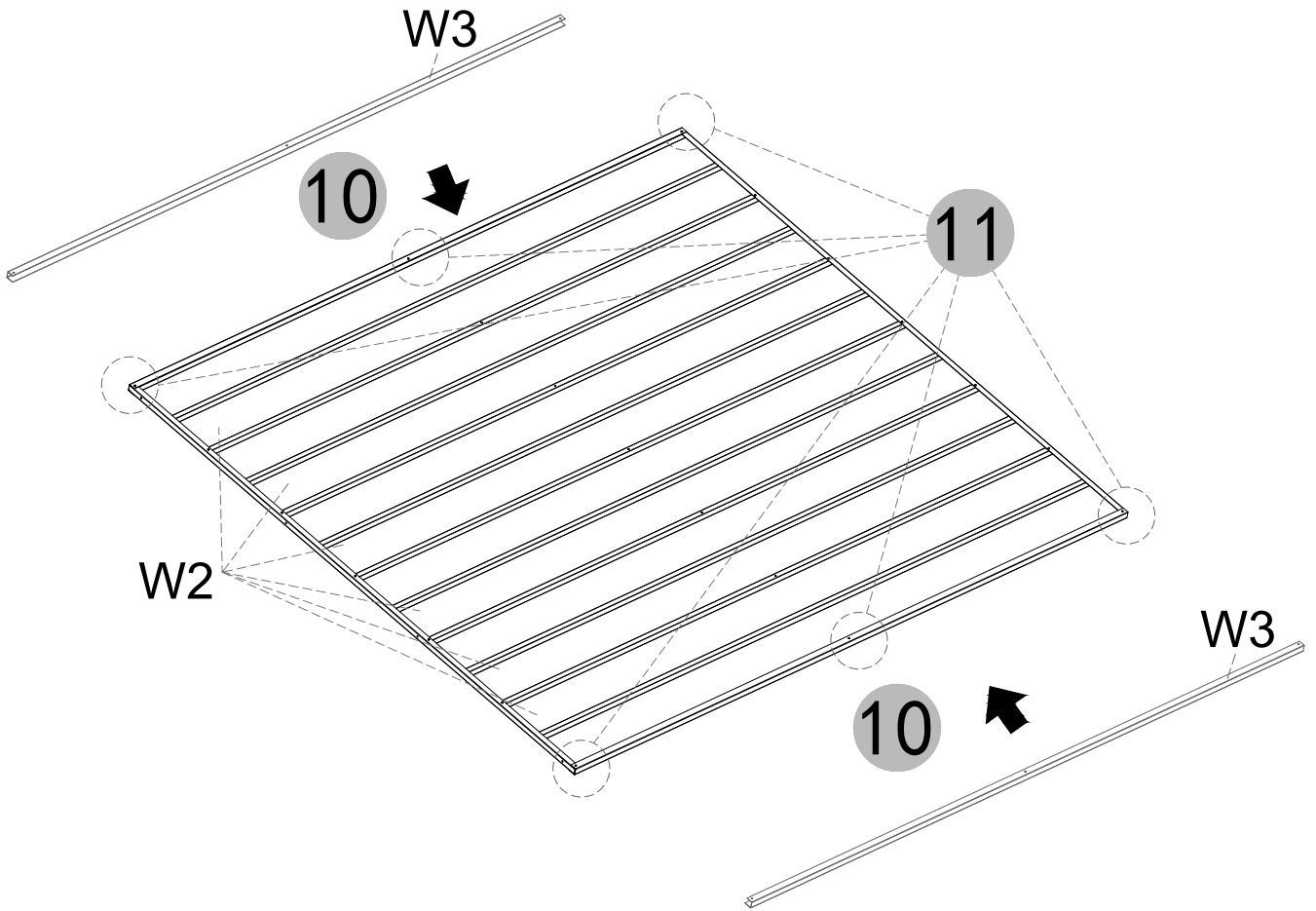
	W5	x2
	H1	x10



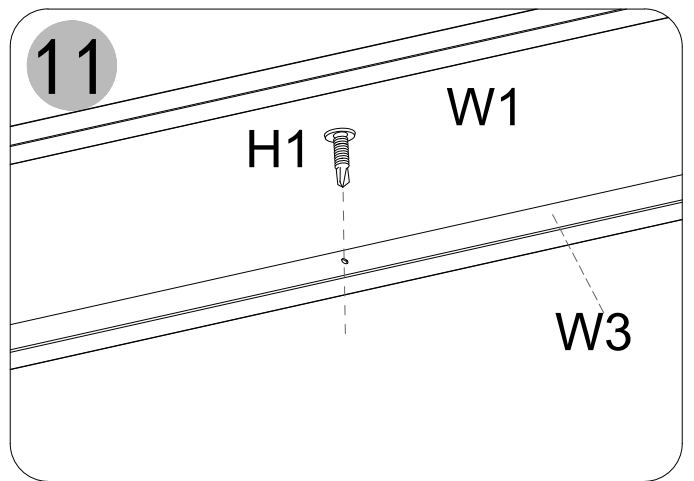
X2



	W3	x2
	H1	x6



X2

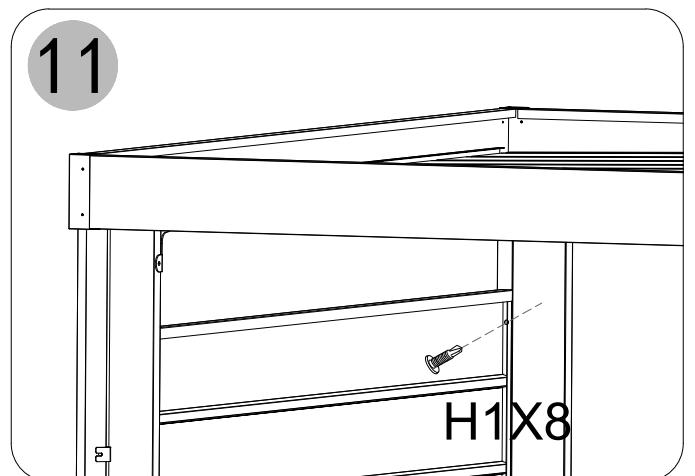
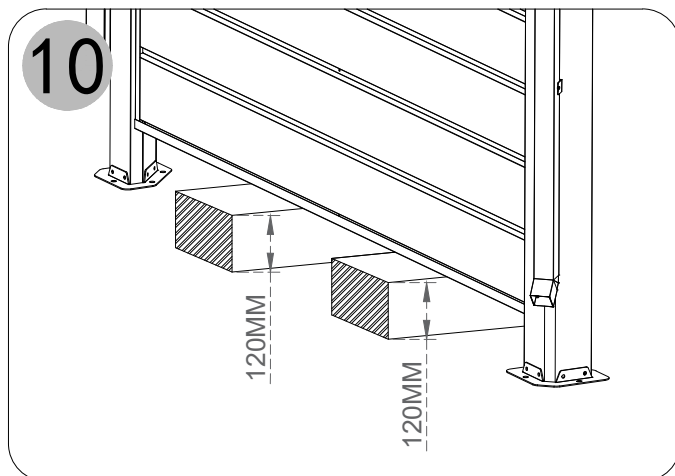
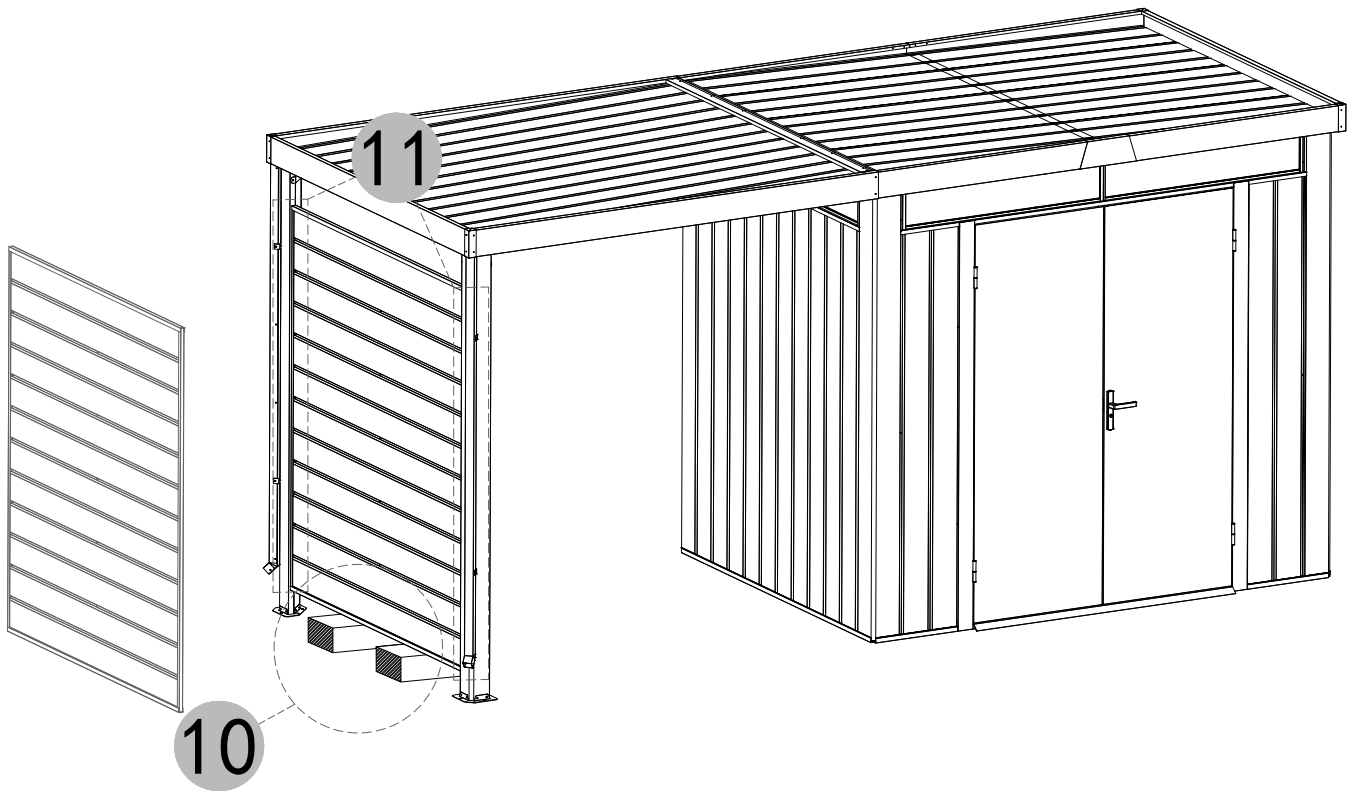


X2



H1

x8



Contact information

Austria



Belgium



Croatia



Denmark



Estonia



Finland



France



Germany



Ireland



Italy



Latvia



Lithuania



Nederland



Norway



Poland



Portugal



Spain



Sweden



Switzerland



UK

