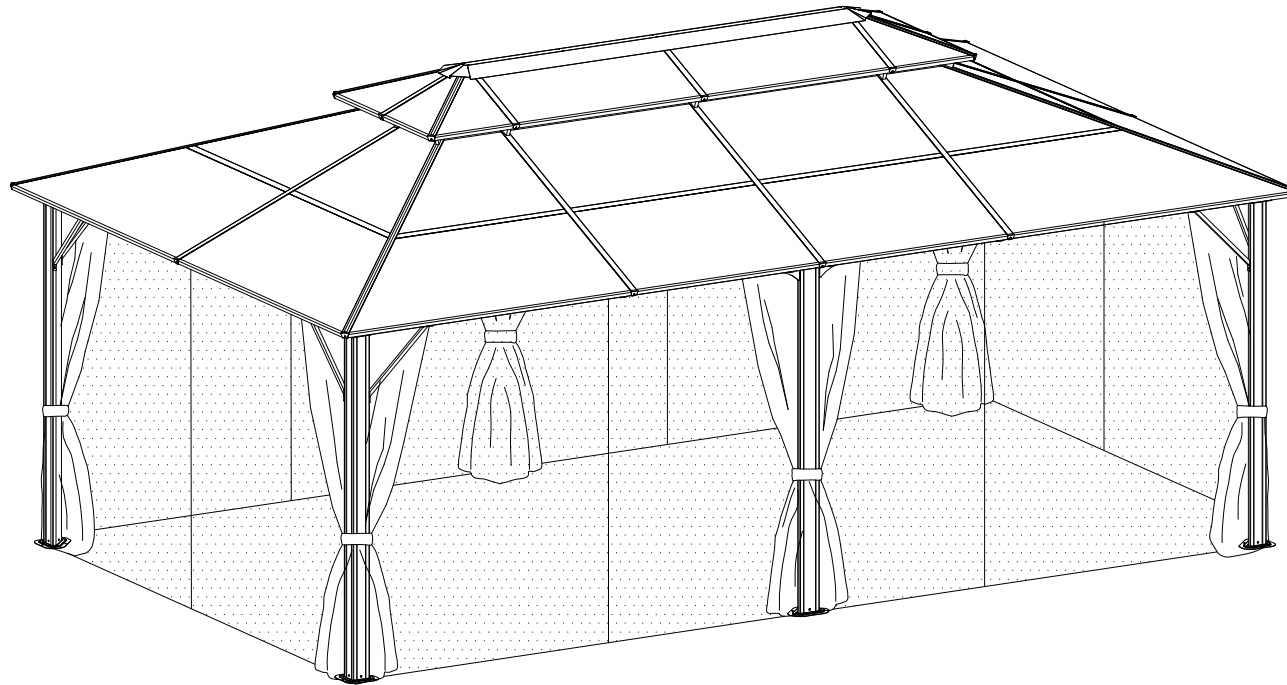


CosyLifeStyle®

Manual
for
Gazebo Santa Ana
3,65x6m

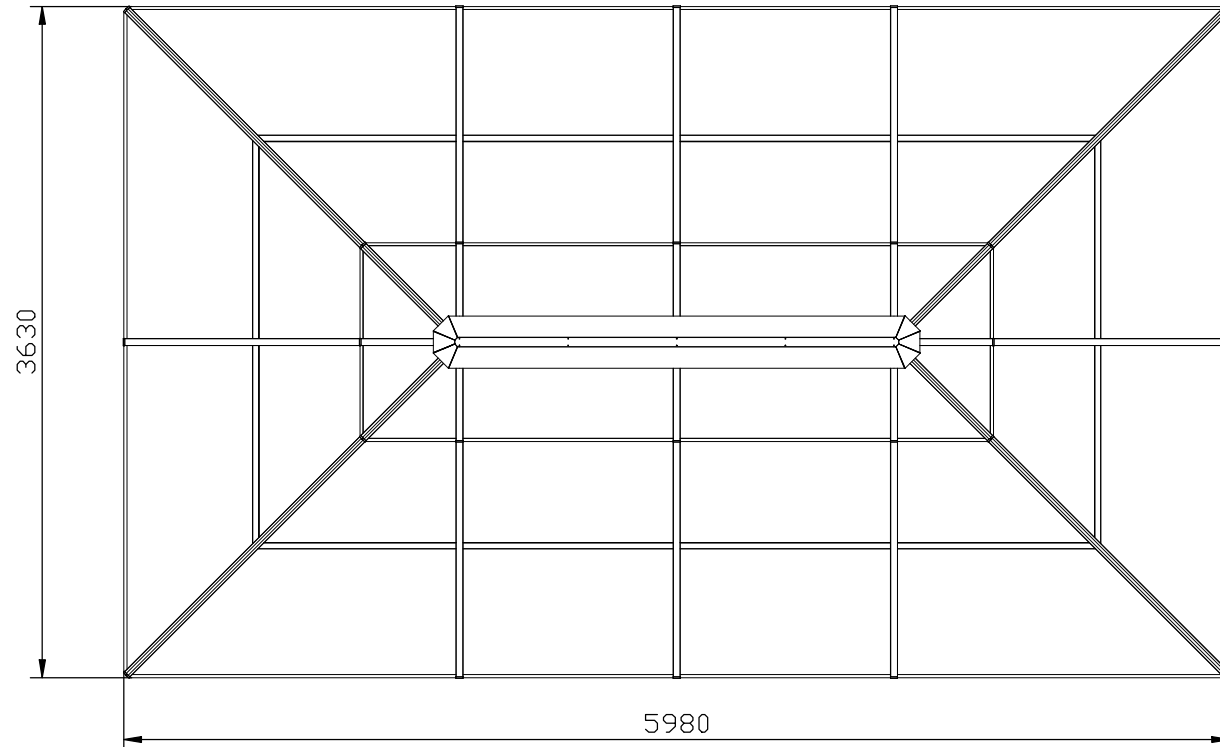
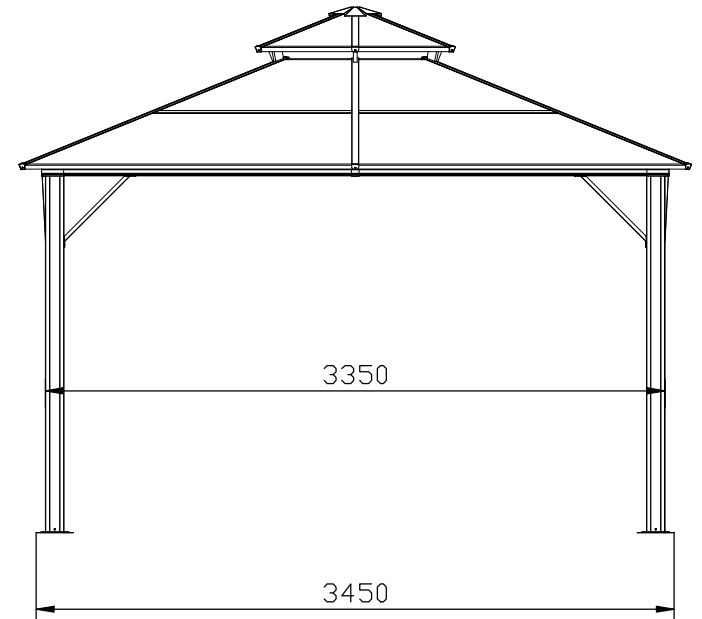
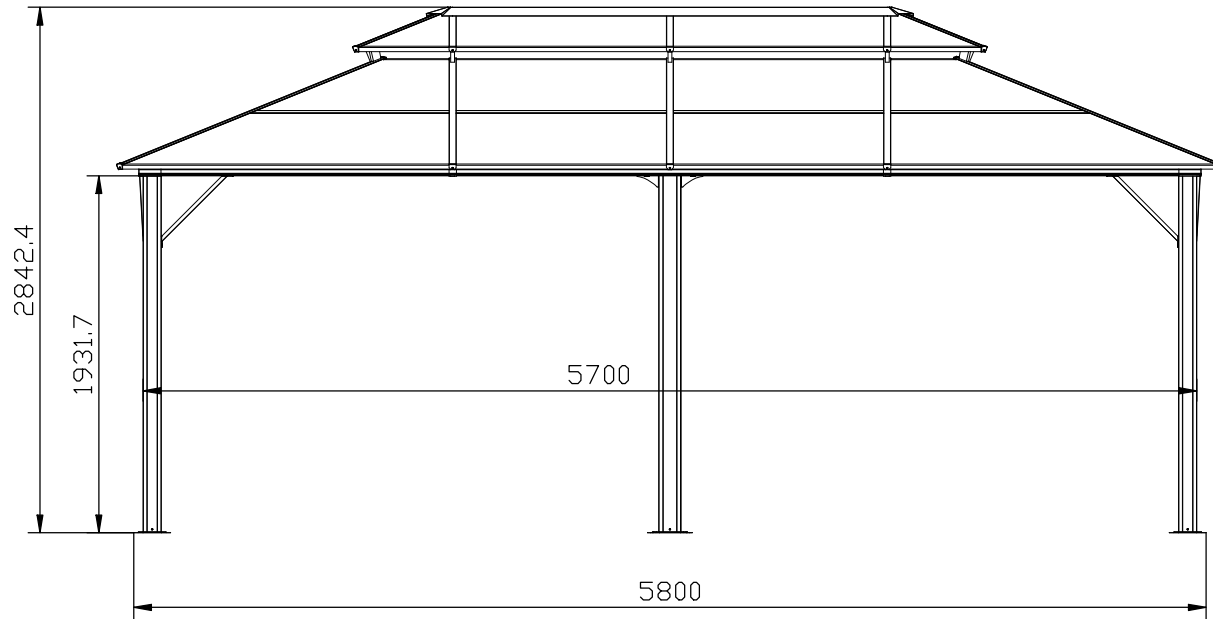
3.65 x 6 M



Assembly requires at least 3 people working together

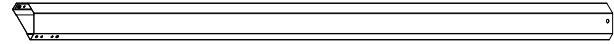
REQUIRED TOOLS



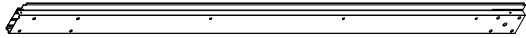




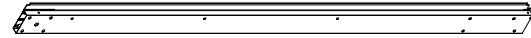
A x4



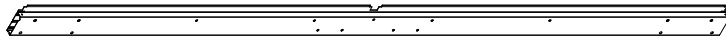
A1 x2



B x4



B1 x4



E2 x2



D x2



D1 x4



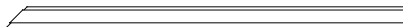
D2 x4



E x4



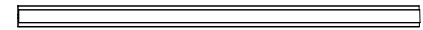
E1 x8



F1 x4



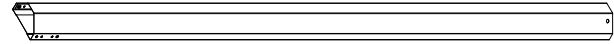
F2 x4



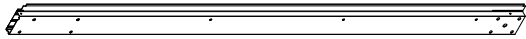
F x4



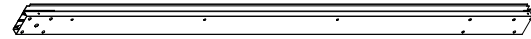
A x4



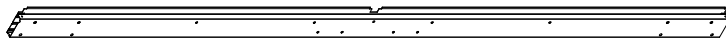
A1 x2



B x4



B1 x4



E2 x2



D x2



D1 x4



D2 x4



E x4



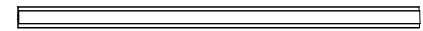
E1 x8











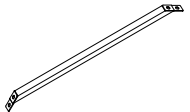
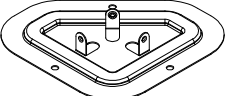
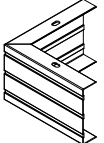

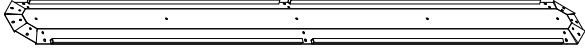
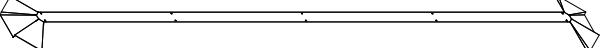


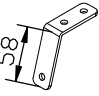
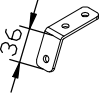
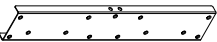
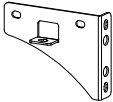
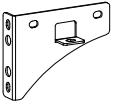

F1 x4

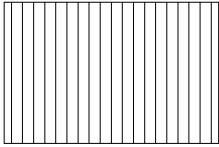
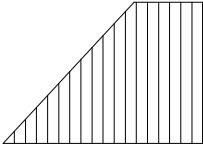
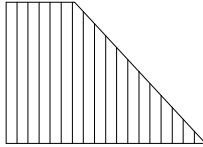
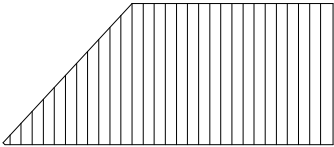
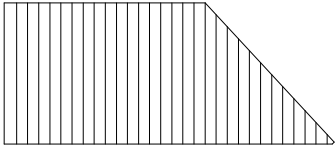
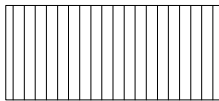
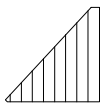
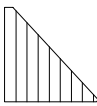
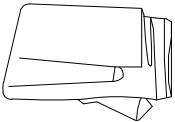
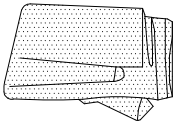

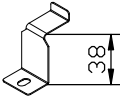




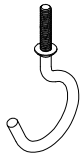




F2 x4

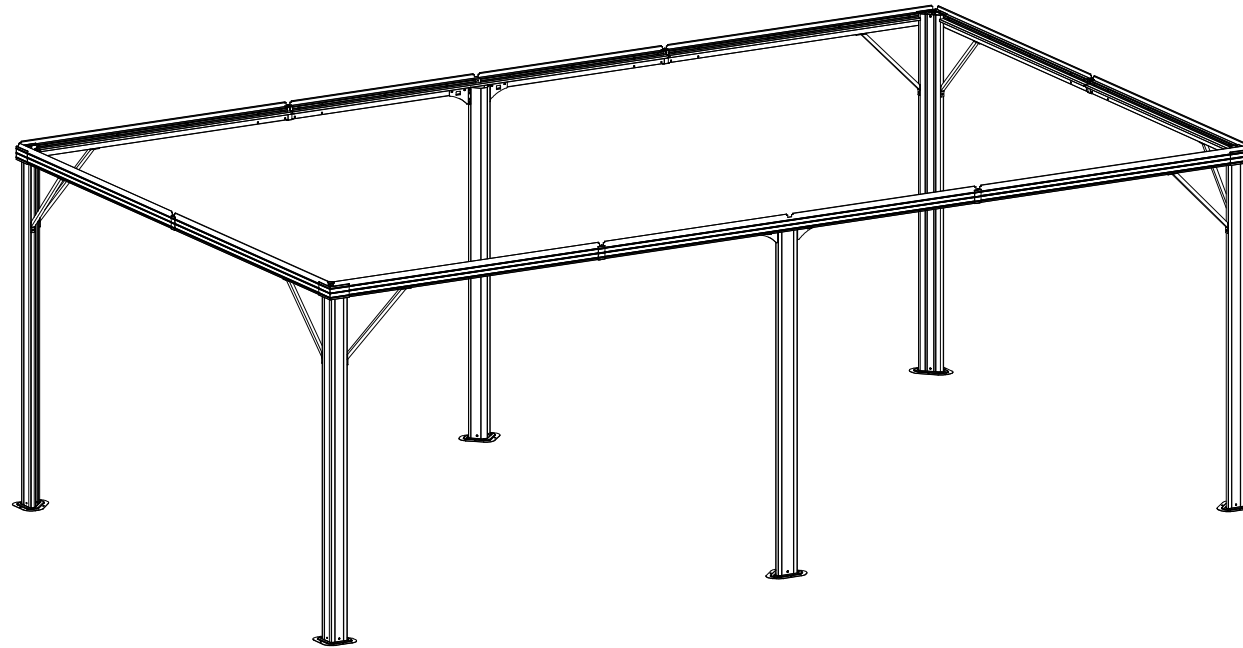


F x4

 G x8	 G1 x4	 G2 x4	
 G3 x4	 G4 x4	 G5 x2	 G6 x2
 G7 x2	 H x8	 J x6	 K x4
 K1 x6	 L x1	 M x1	
 N x12	 N1 x16	 N2 x4	 N3 x8
 P x6	 U1 x2	 U2 x2	 U3 x3

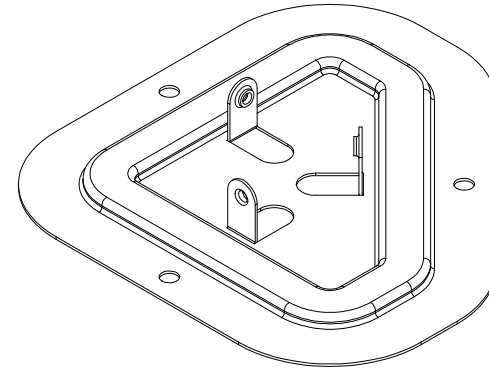
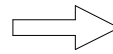
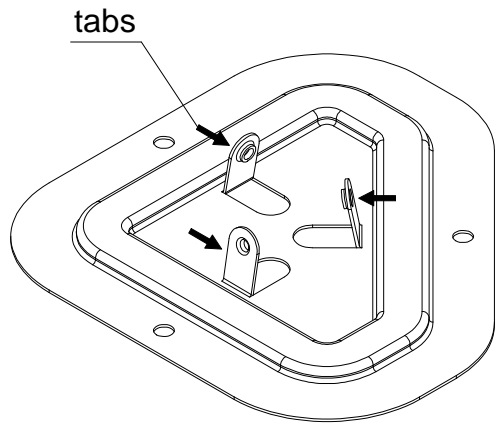
 (Q) x8	 (Q1) x4	 (Q2) x4	 (R1) x4
 (R2) x4	 (S) x4	 (S1) x4	 (S2) x4
 (T) x4+x2	 (T1) x4+x2	 (U) x152	 (V) x6
 (1) x253 M6x15	 (2) x32 M6x10	 (3) x6 M5x12	 (4) x28 ST4.8x12
 (5) x3	 (Za) x18	 x1	

STEP 1



Tips: When installing the screws, don't tighten them all the way first, just roughly hold them in place, and when you're sure that all the parts are installed, then you can tighten the screws to secure the frame.

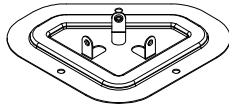
<1>



Tips: If the tabs on the base are crooked, you can use pliers to straighten them for easy screw installation



A x4



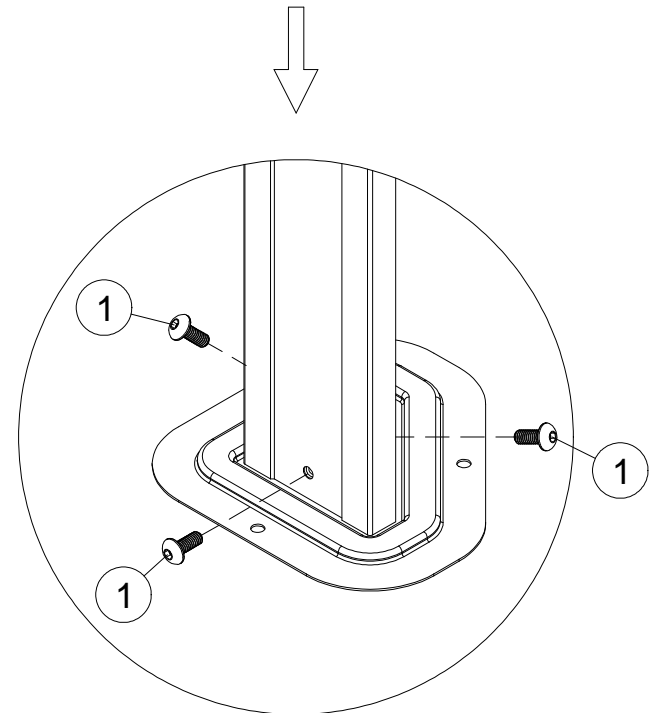
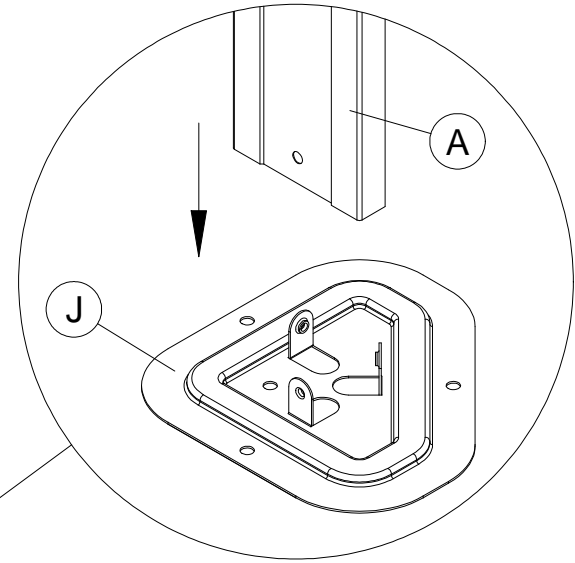
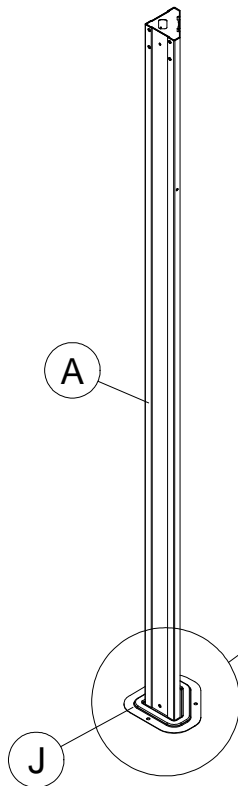
J x4

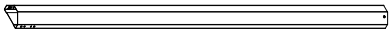


M6x15

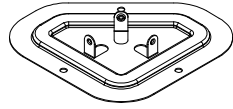
1 x12

<2>





A1 x2



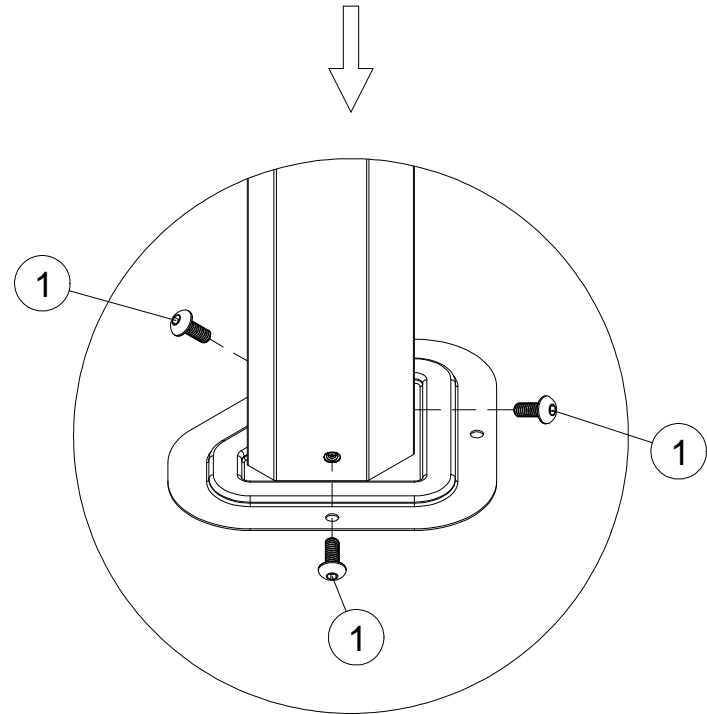
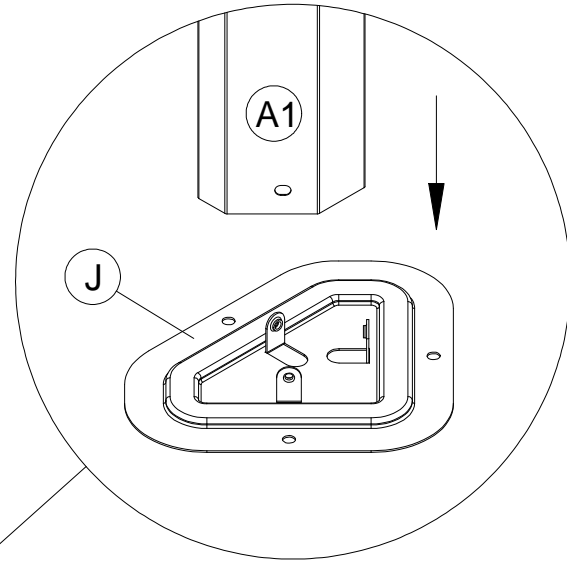
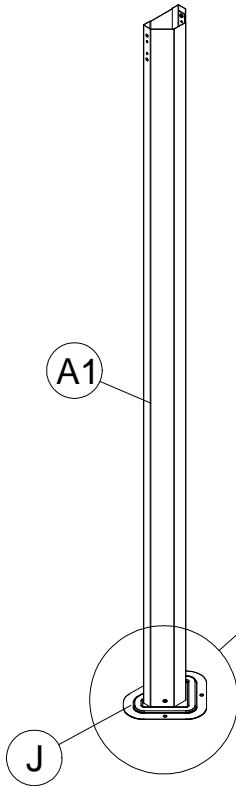
J x2

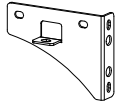


M6x15

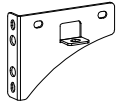
1 x6

<3>





U1 x2



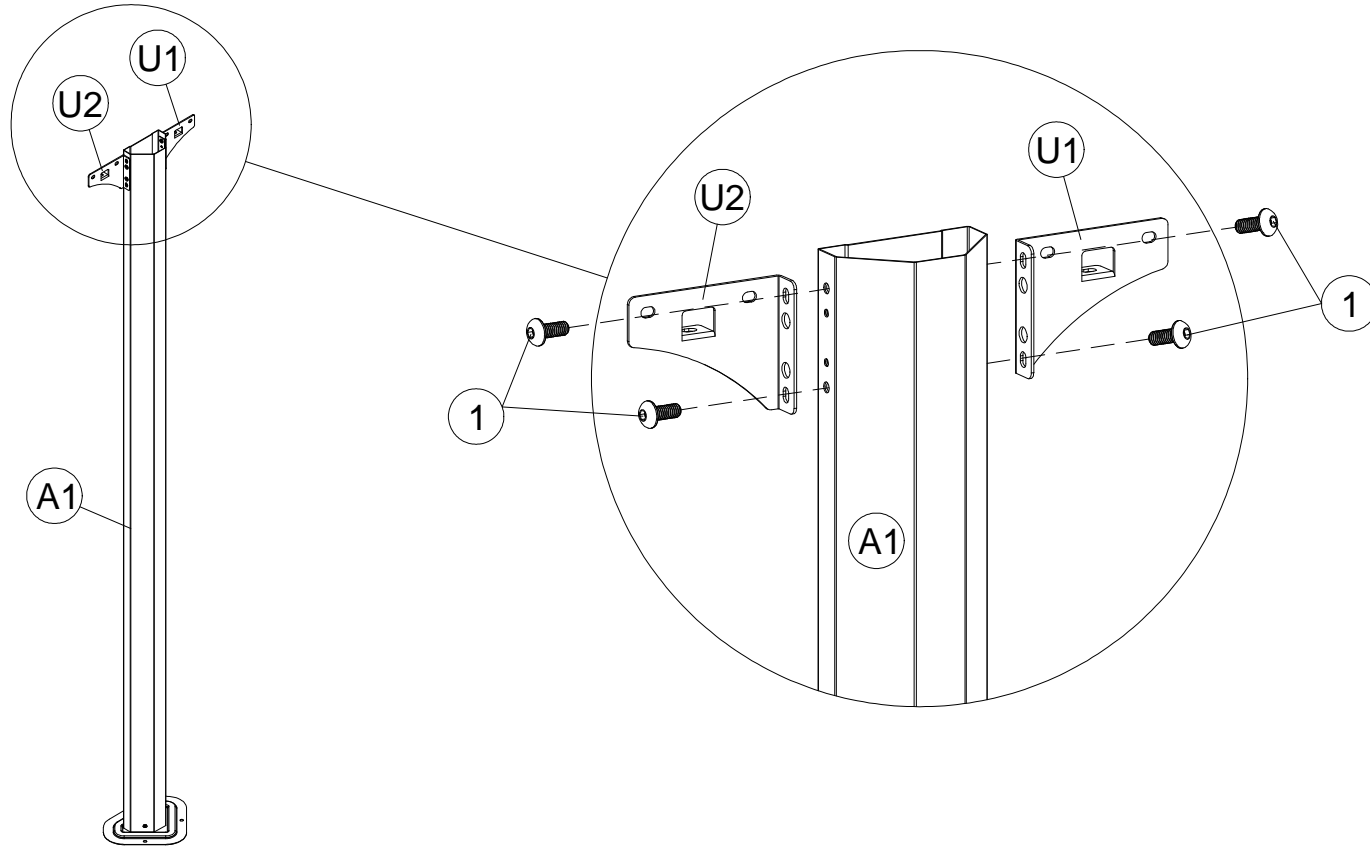
U2 x2

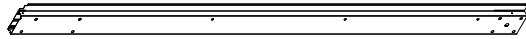


1 x8

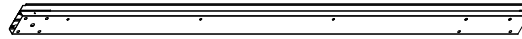
M6x15

<4>





(B) x2



(B1) x2



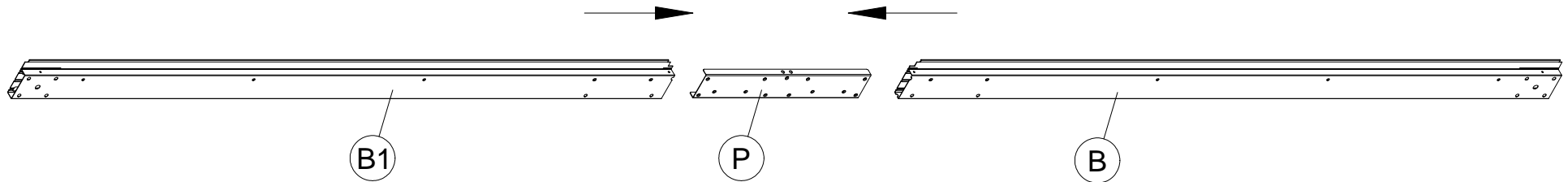
(P) x2



M6x15

(1) x12

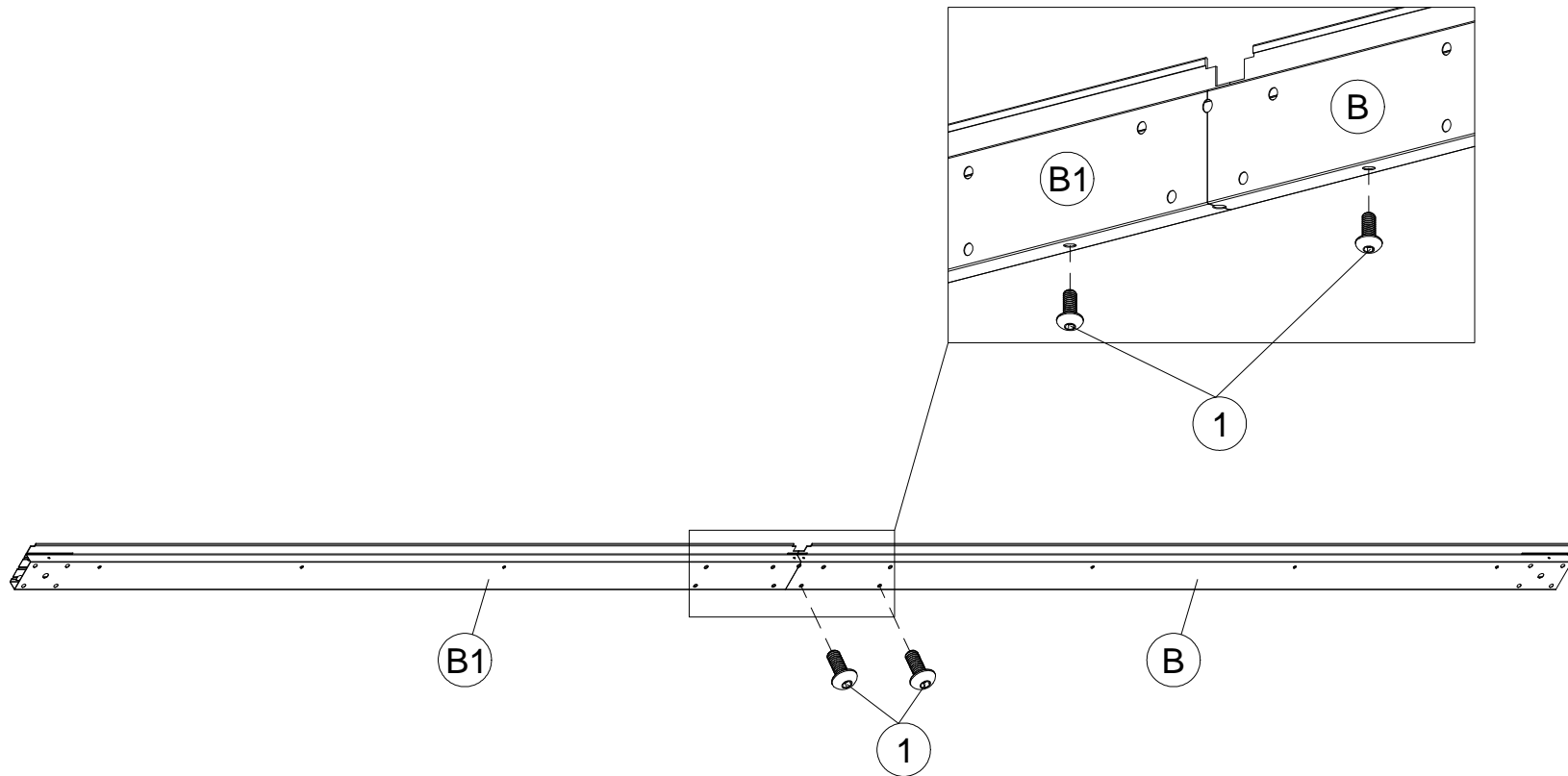
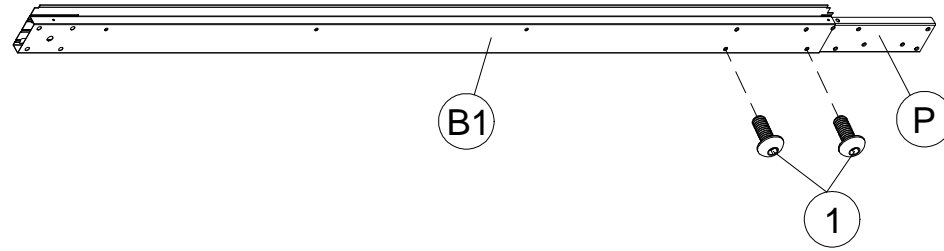
<5>

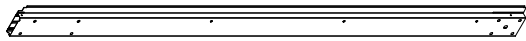


Tip 1: Use #1 screws to line up the holes in beam B1 and connector P, then connect beam B.

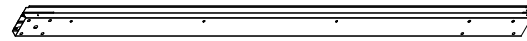
Tip 2: When installing the screws, just hold them roughly in place and then tighten all the screws when you have the entire part connection aligned.

<6>

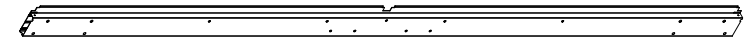




B x2



B1 x2



E2 x2



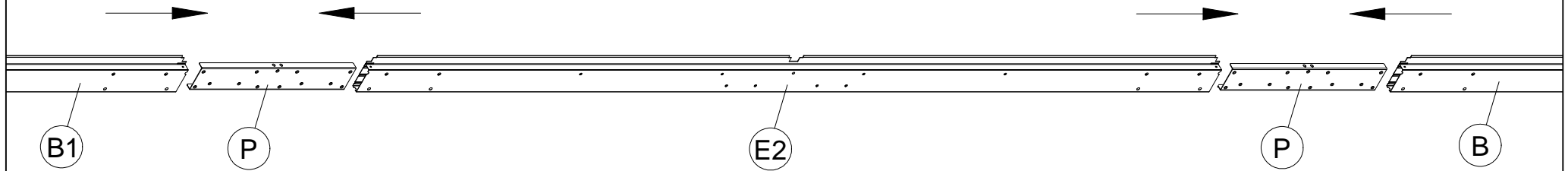
P x4



1 x24

M6x15

<7>

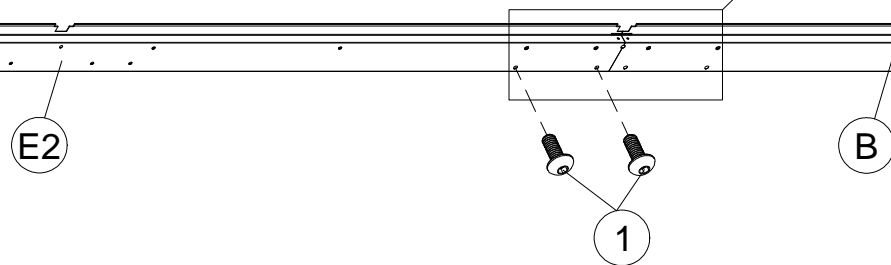
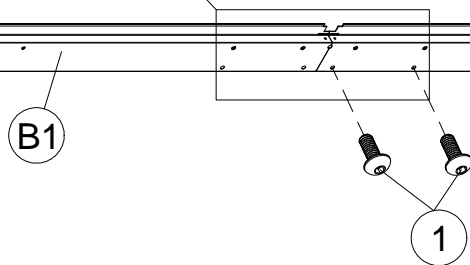
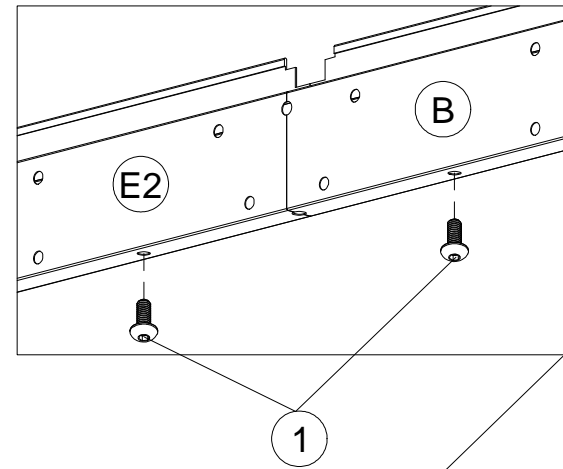
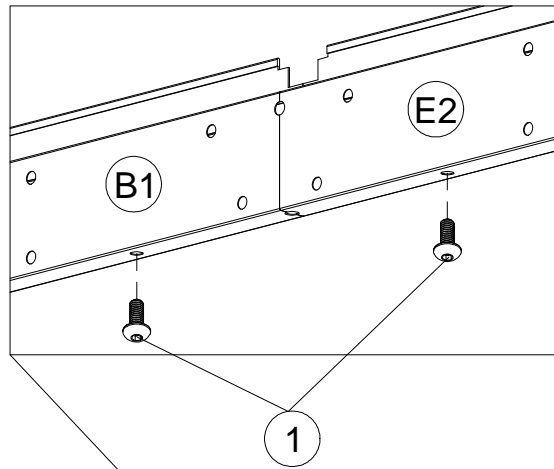
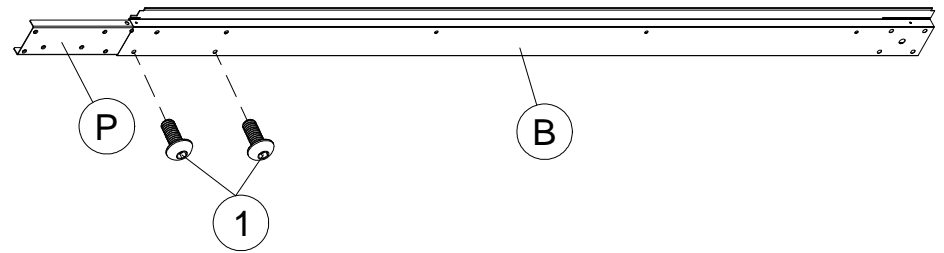
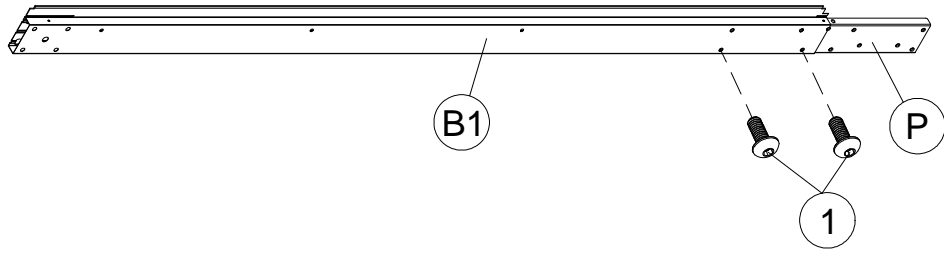


Tip 1: Use #1 screws to line up the holes in beam B1 and connector P, then connect beam E2.

Tip 2: Use #1 screws to line up the holes in beam B and connector P, then connect beam E2

Tip 3: When installing the screws, just hold them roughly in place and then tighten all the screws when you have the entire part connection aligned.

<8>

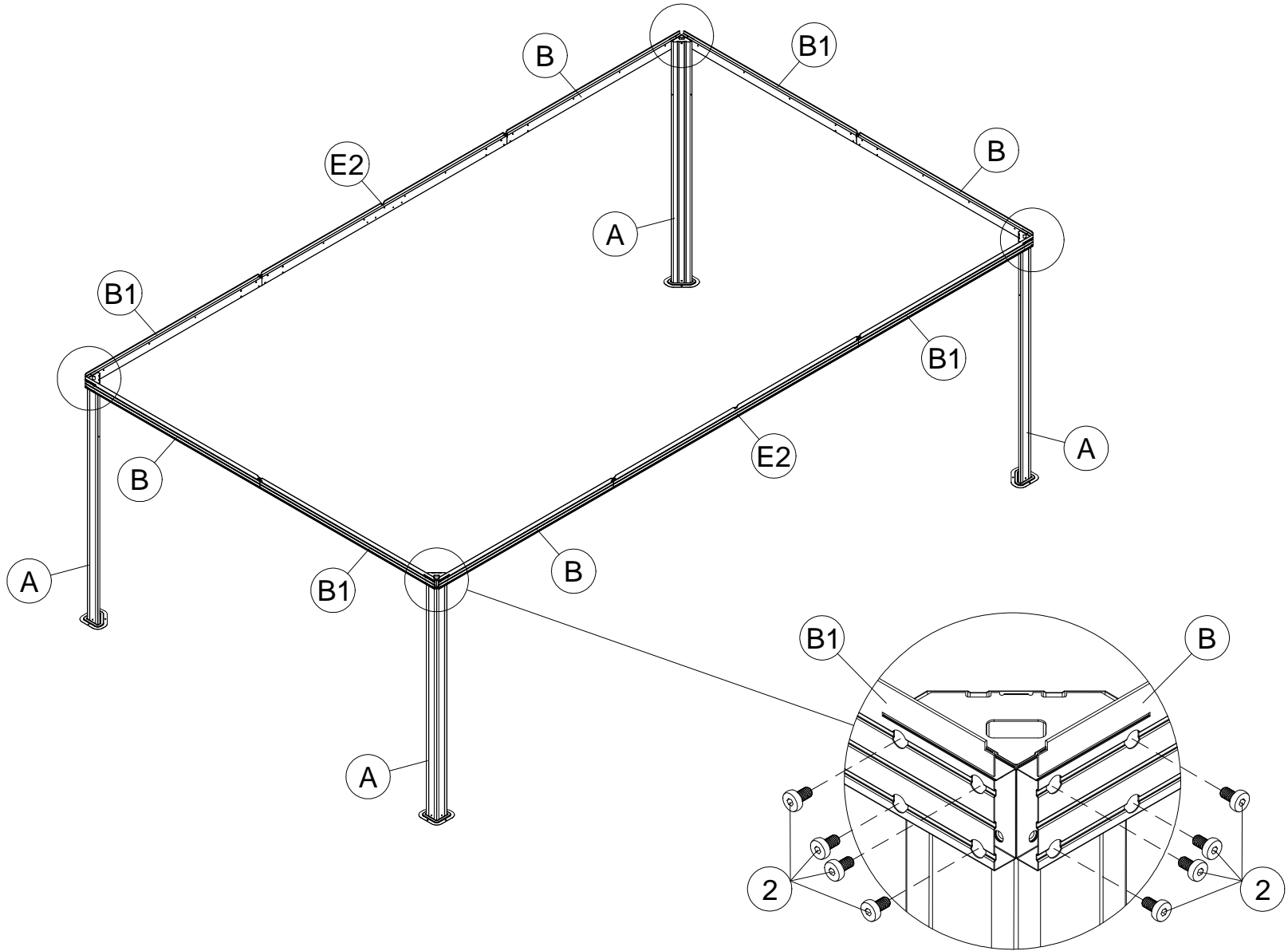


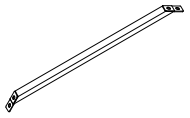


M6x10

2 x32

<9>





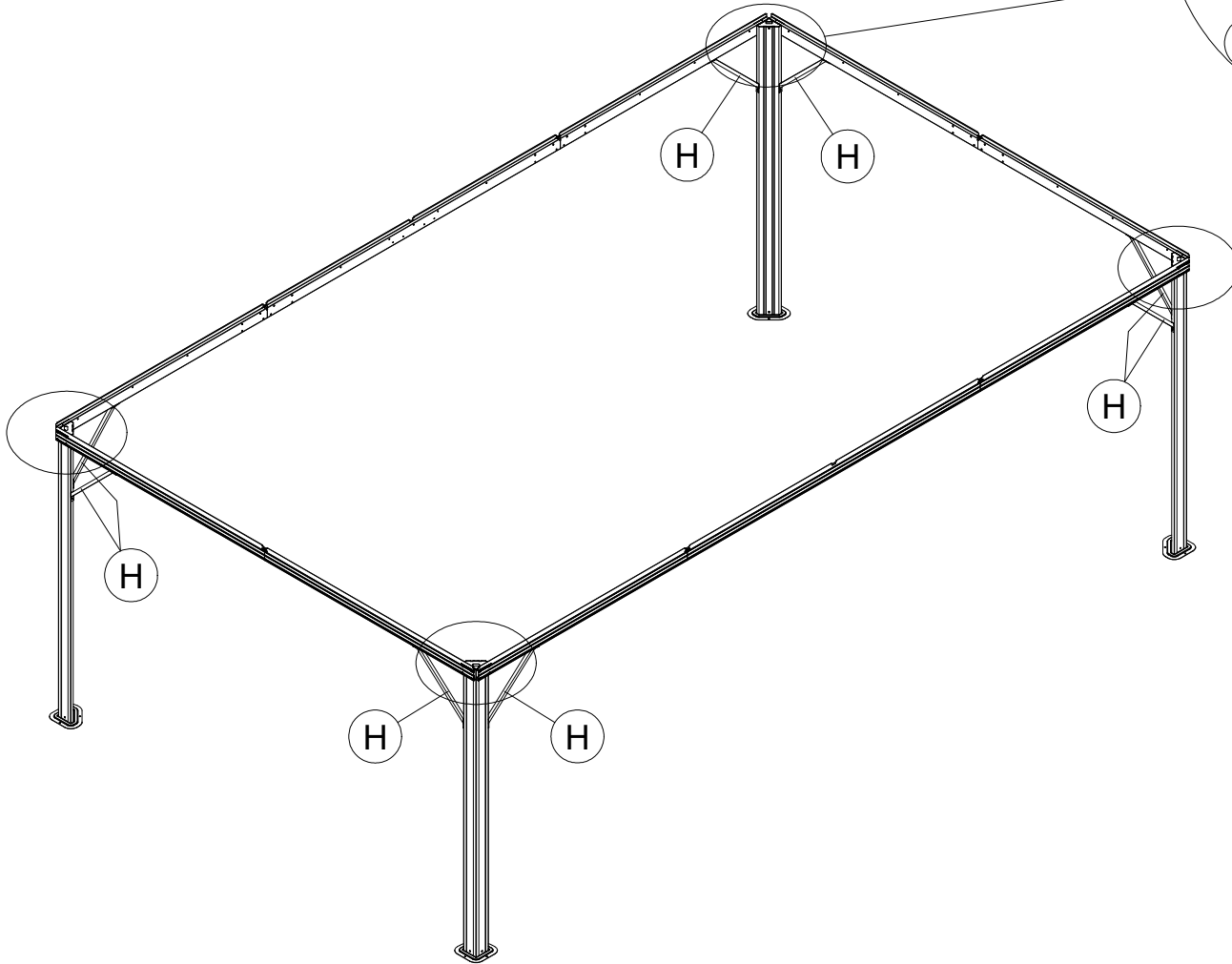
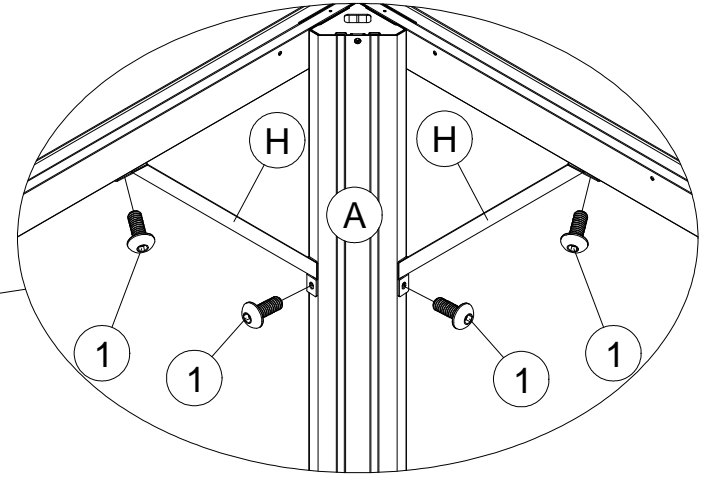
H x8



M6x15

1 x16

<10>

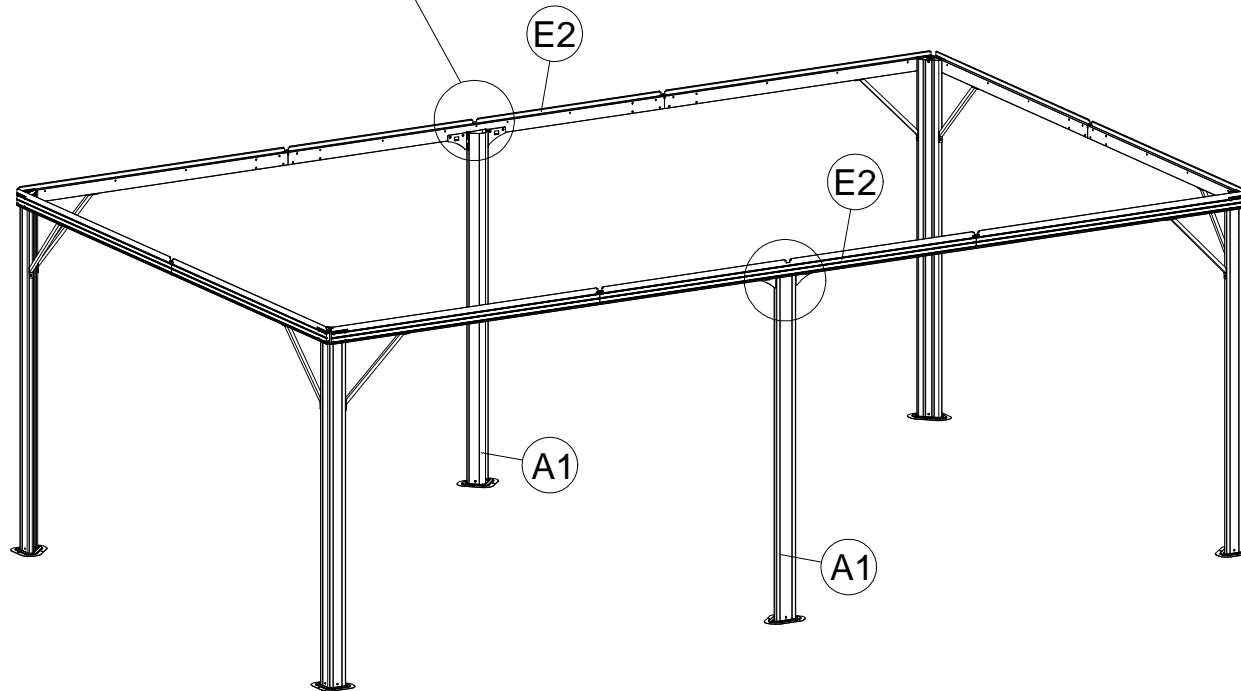
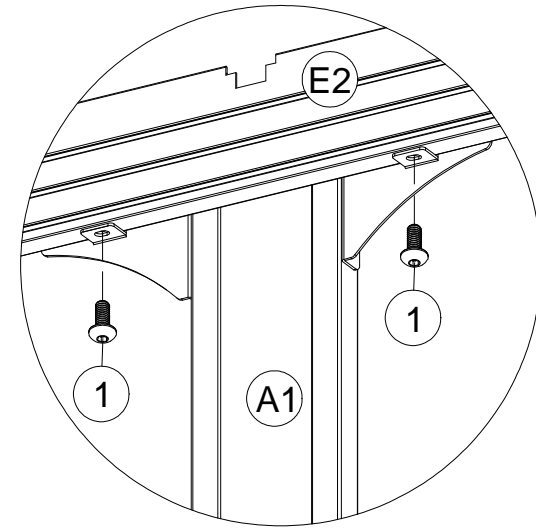
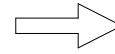
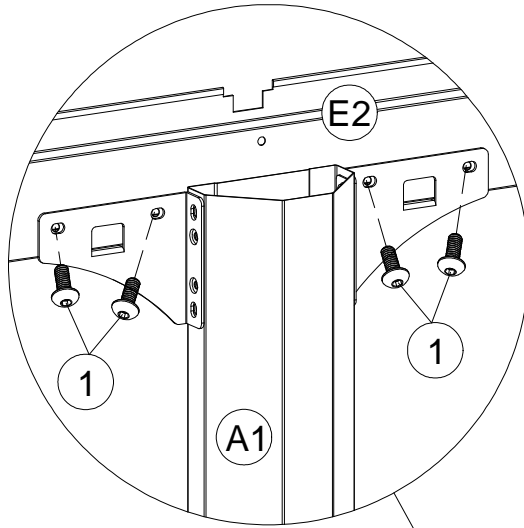




M6x15

1 x12

<11>



D1 x4



D2 x4



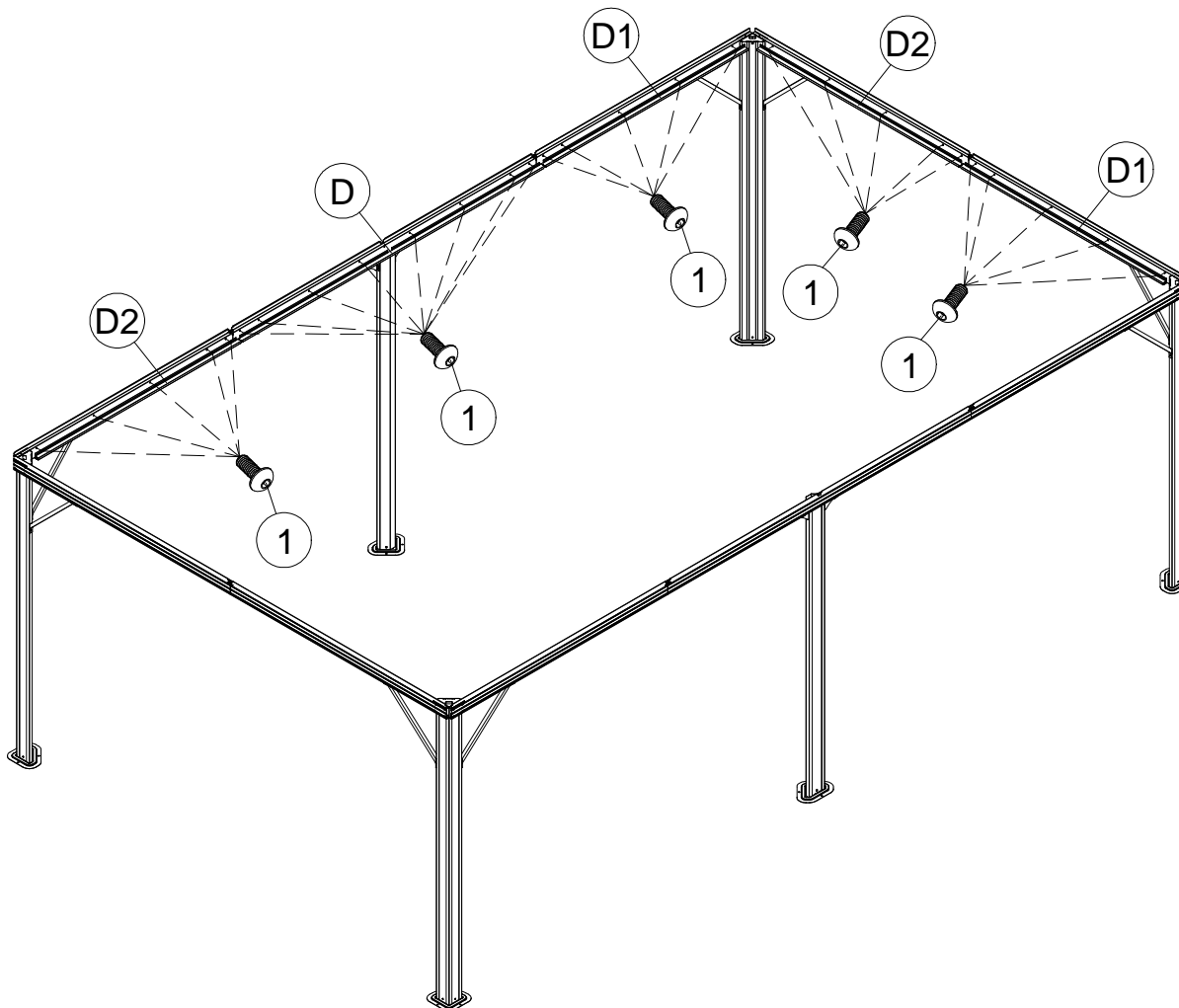
D x2

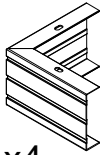


M6x15

1 x56

<12>





K x4



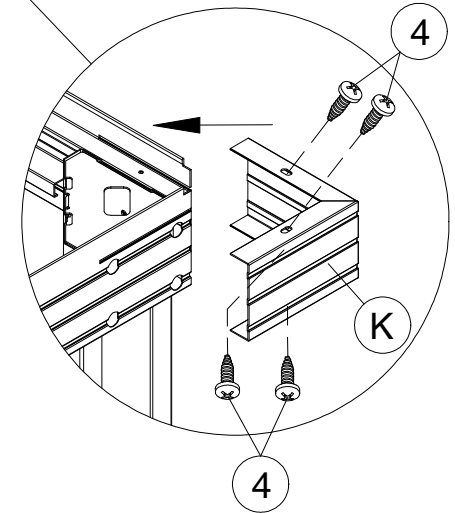
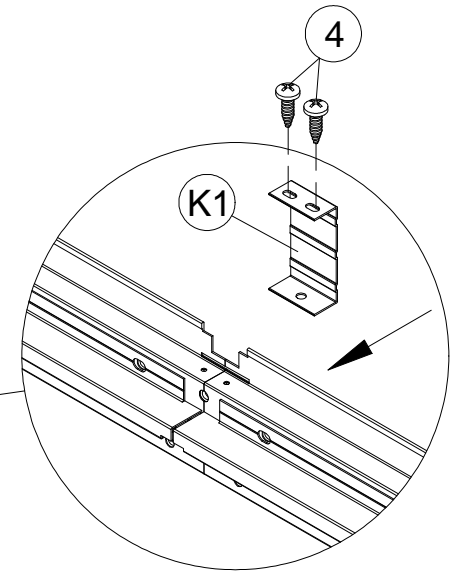
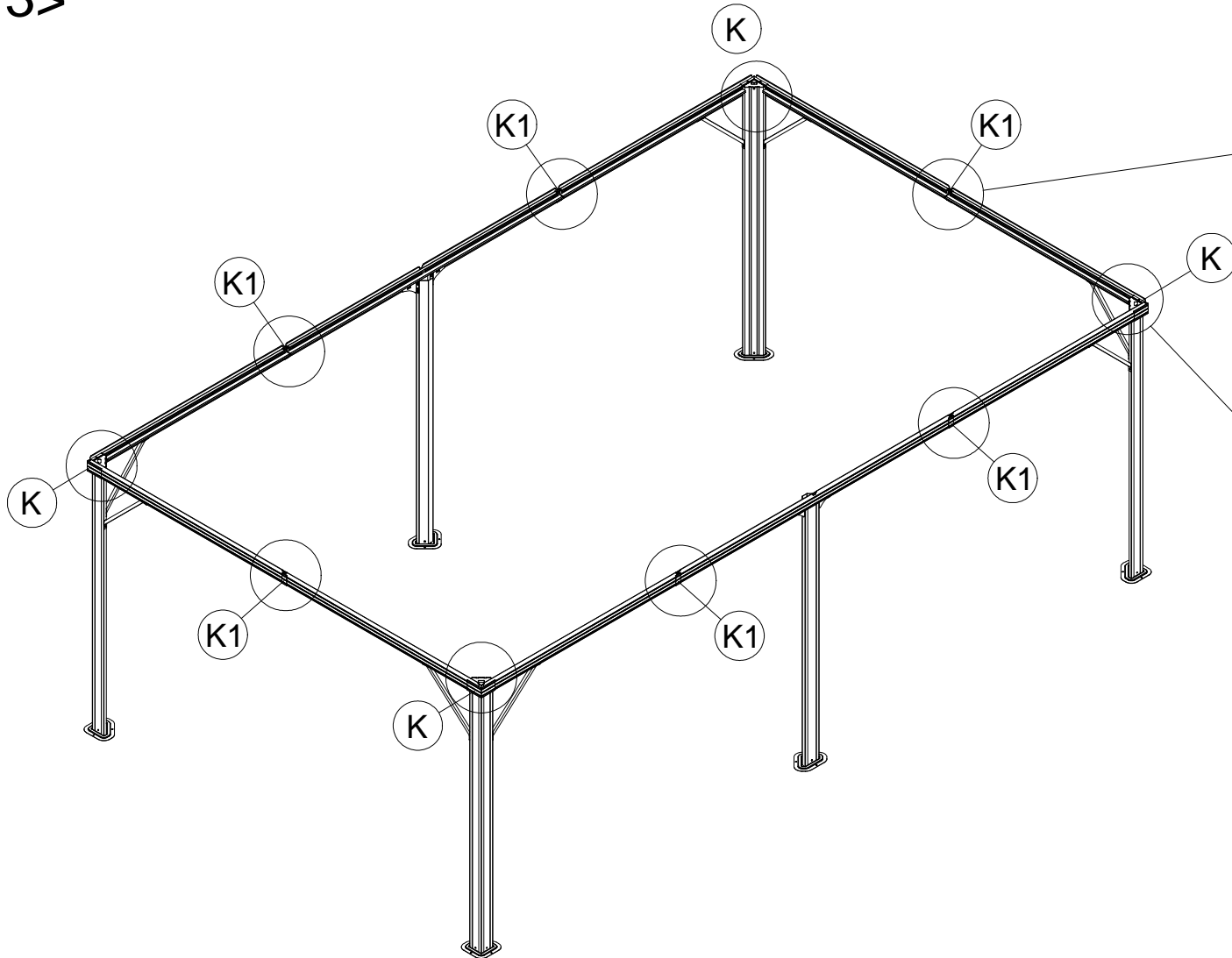
K1 x6

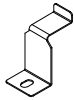


ST4.8x12

4 x28

<13>





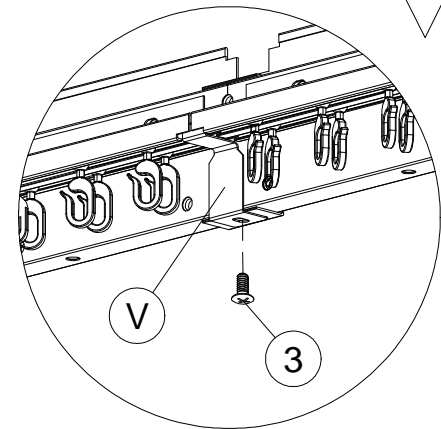
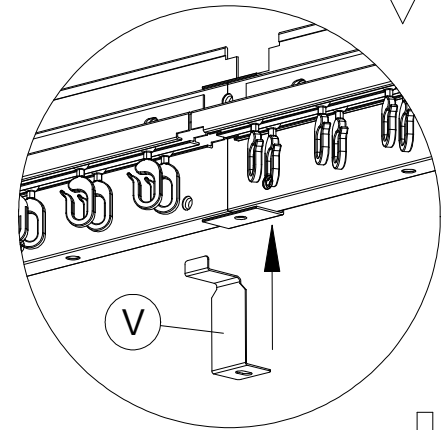
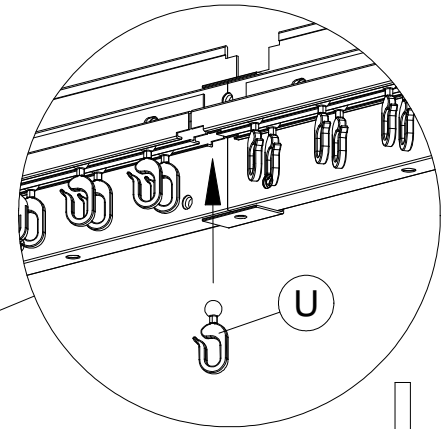
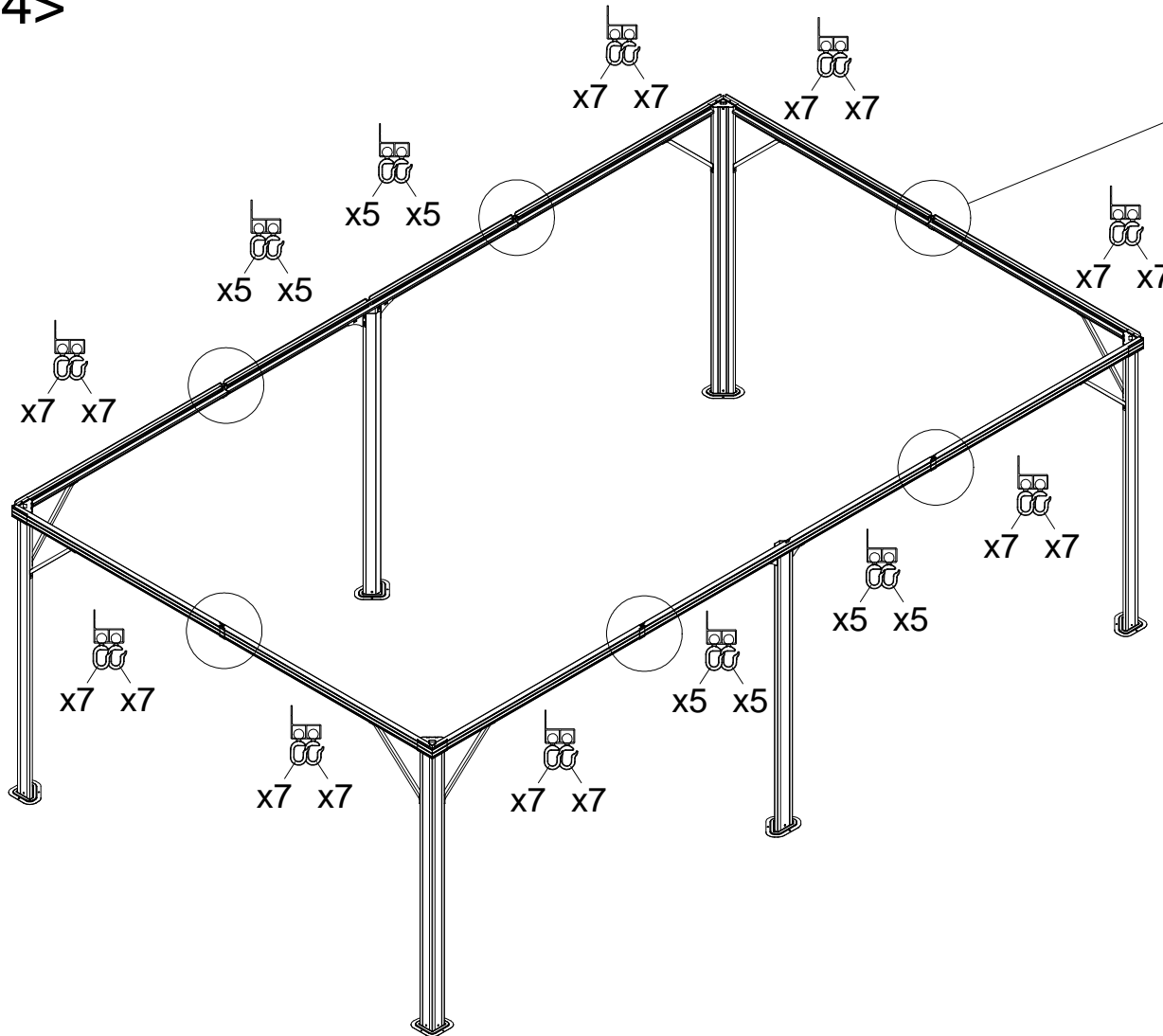
M5x12

U x152

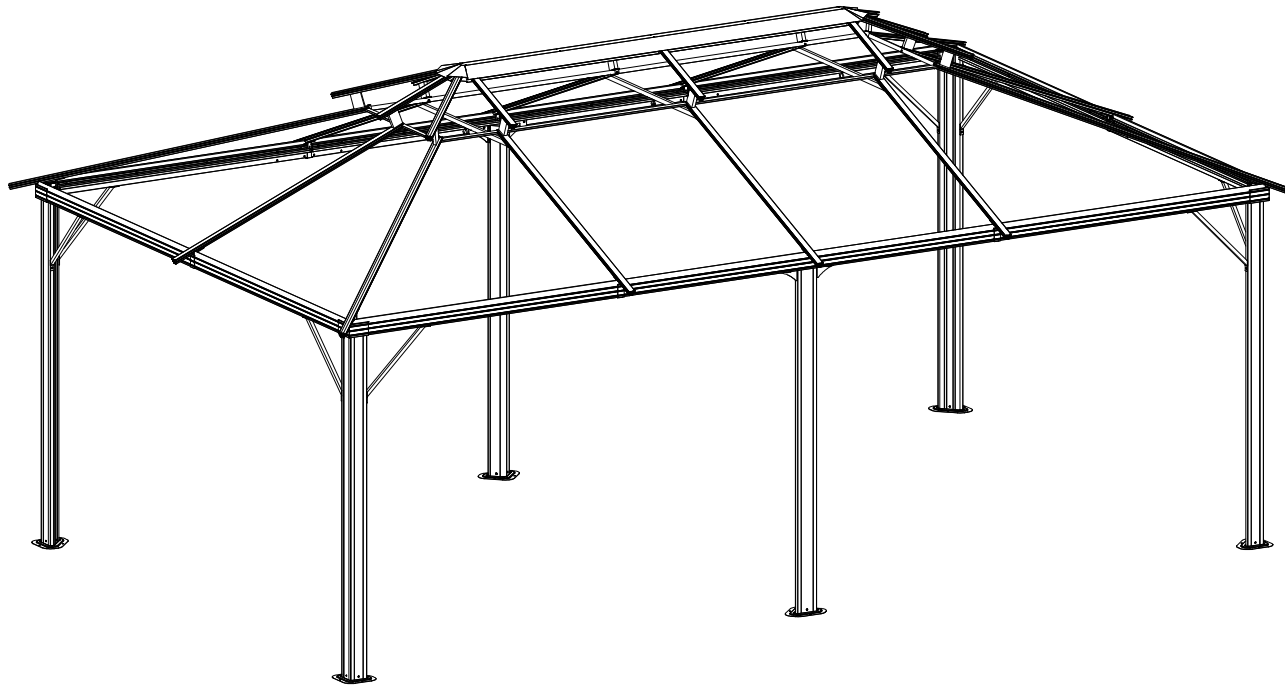
V x6

3 x6

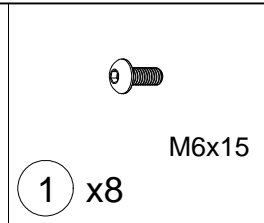
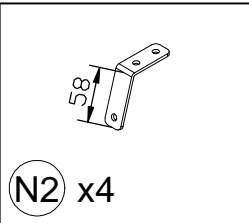
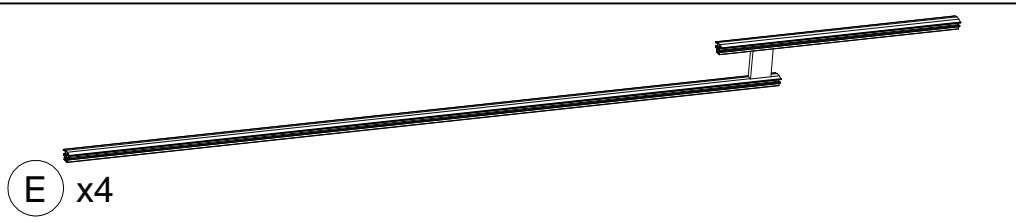
<14>



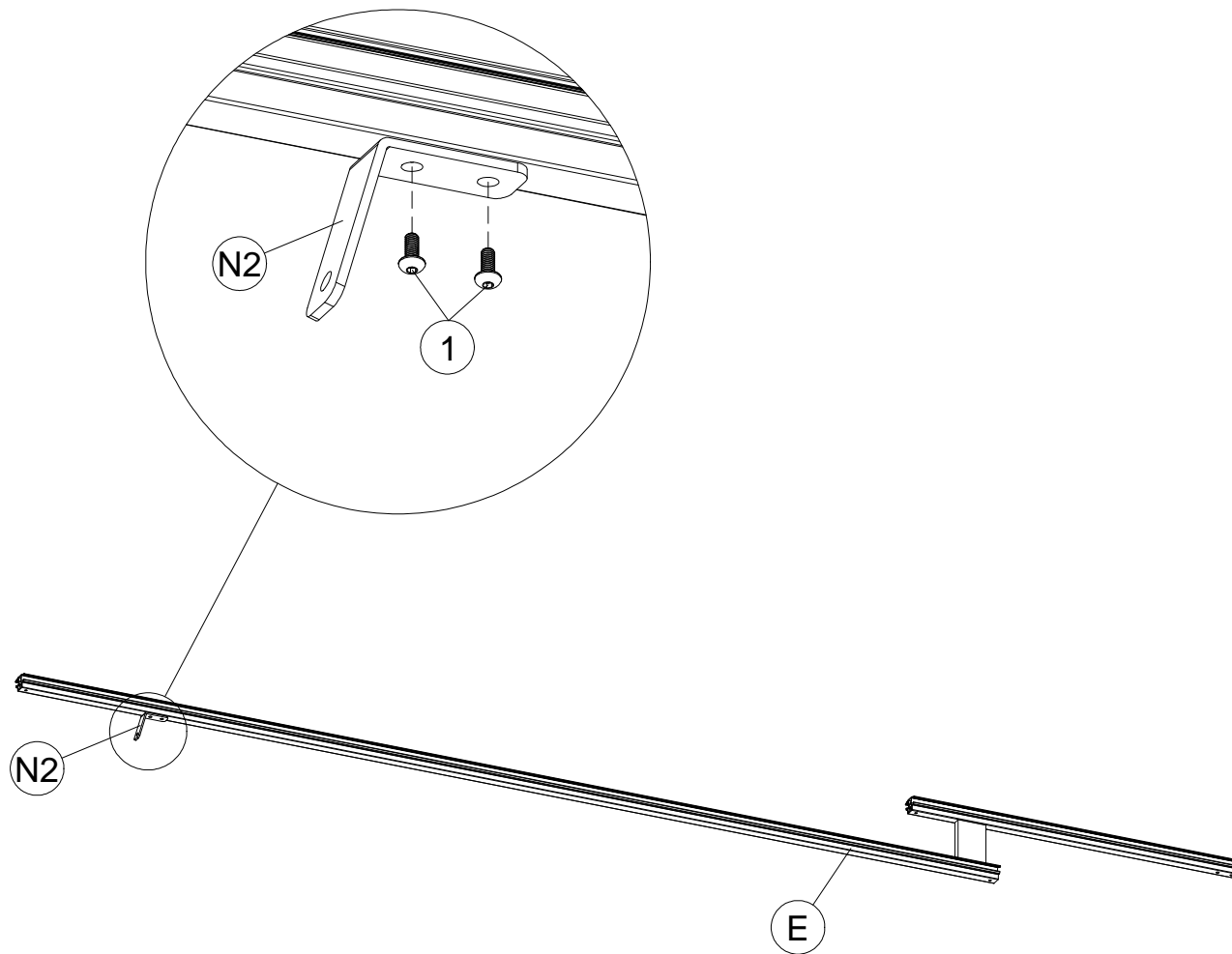
STEP 2



Tips: When installing the screws, don't tighten them all the way first, just roughly hold them in place, and when you're sure that all the parts are installed, then you can tighten the screws to secure the frame.



<15>





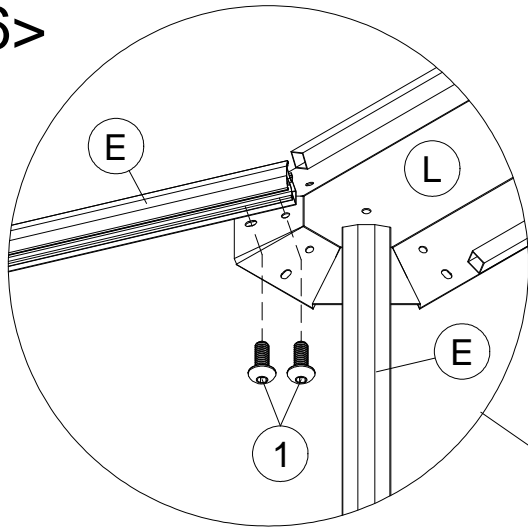
L x1



M6x15

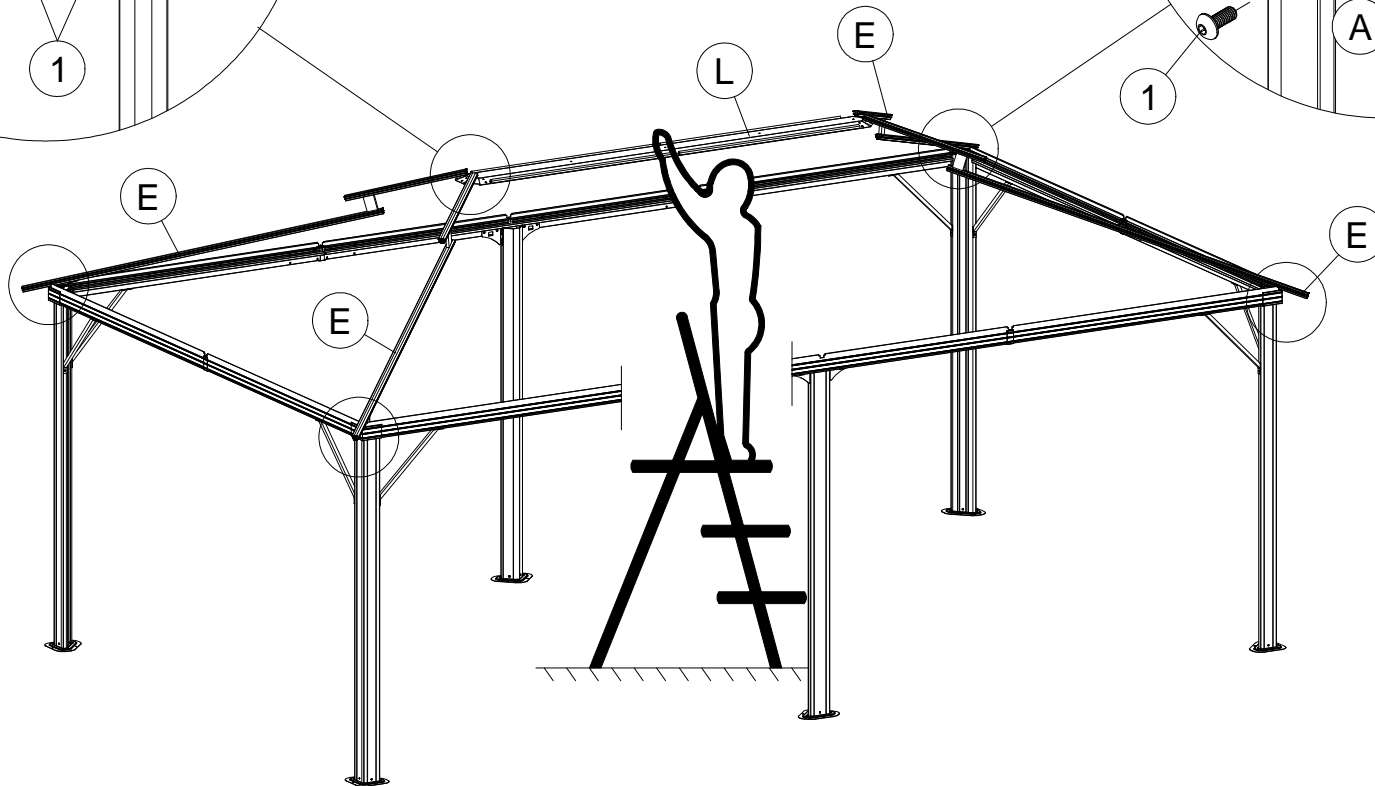
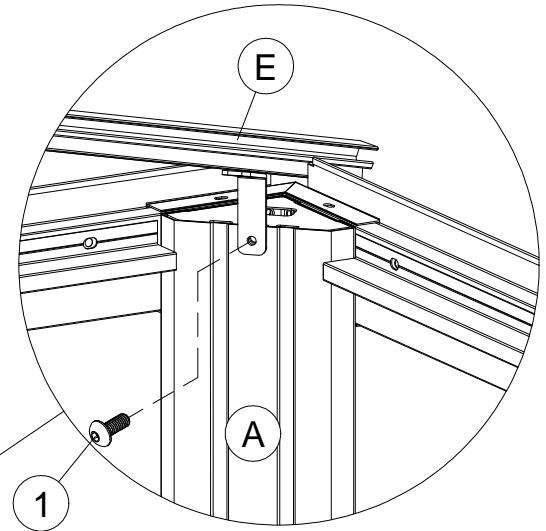
1 x12

<16>



Note:

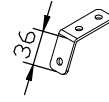
1. Let one person stand on the ladder to lift " L " and hold, and let others fasten the screws connecting both ends of " E " .
2. Please do not let go of holding " L " until all the " E " screws are installed.



E1 x8



N3 x8

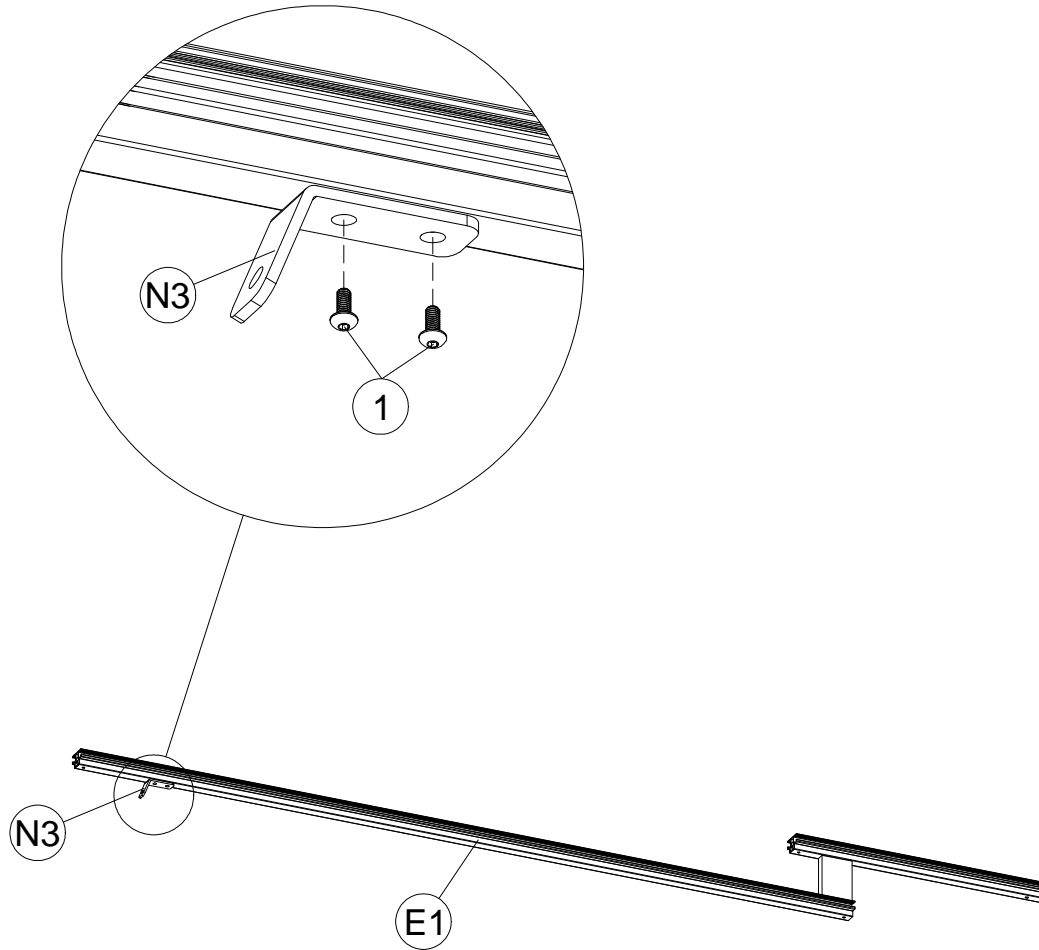


1 x16



M6x15

<17>

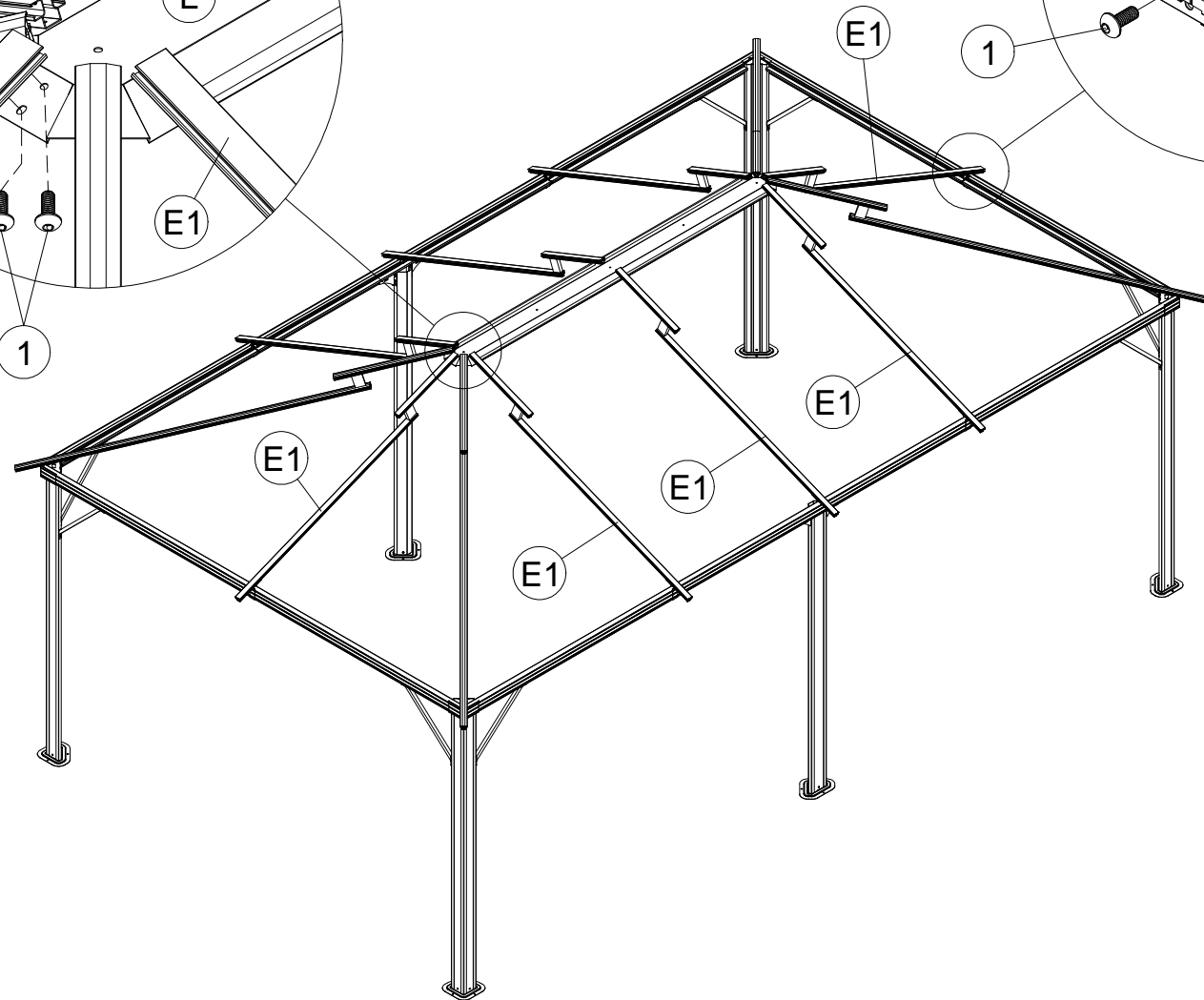
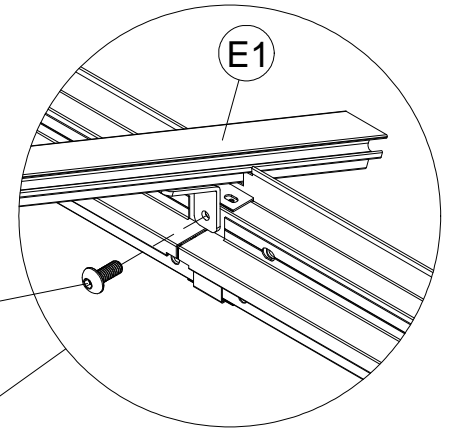
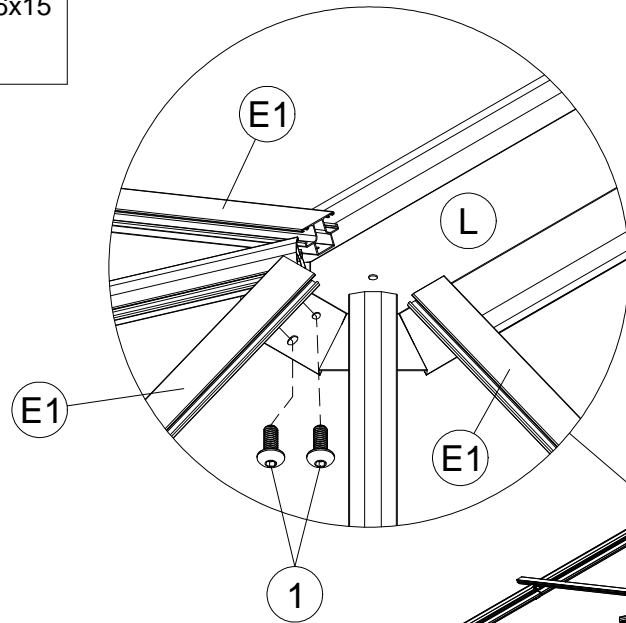


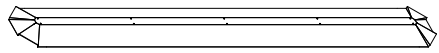


M6x15

1 x24

<18>





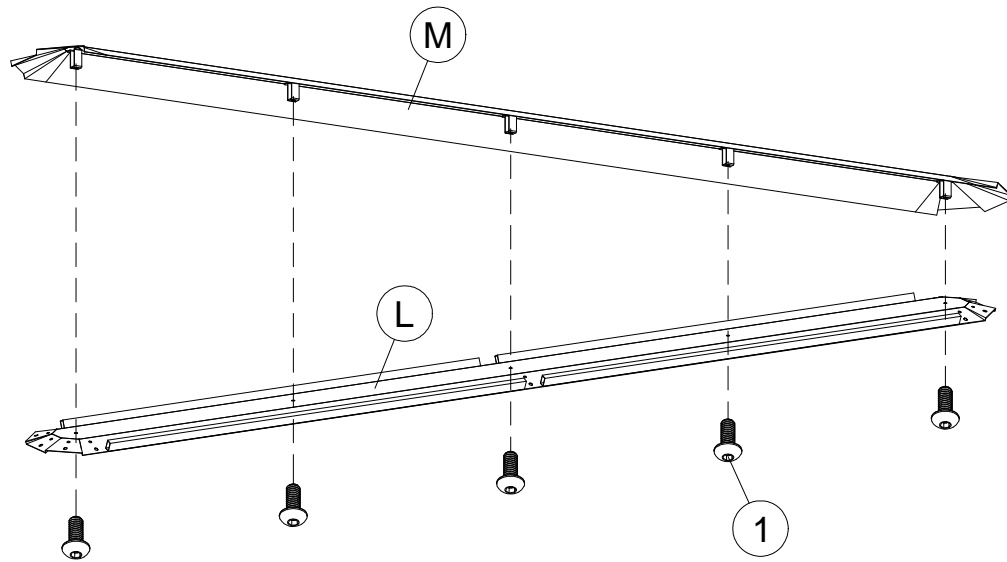
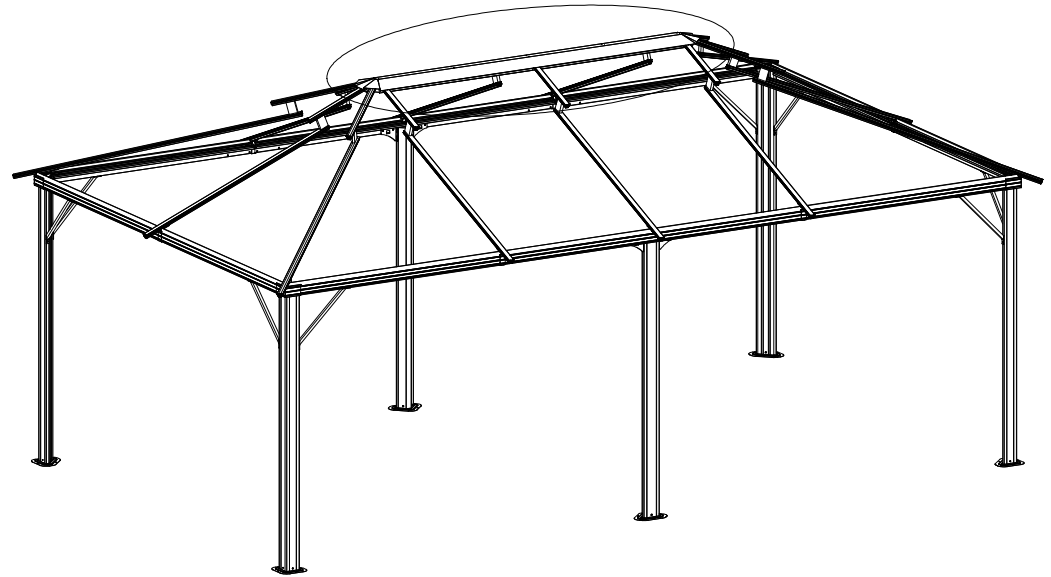
(M) x1



M6x15

(1) x5

<19>

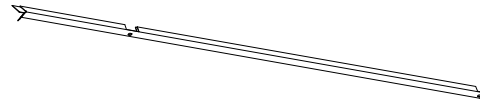




G5 x2



G6 x2



G7 x2



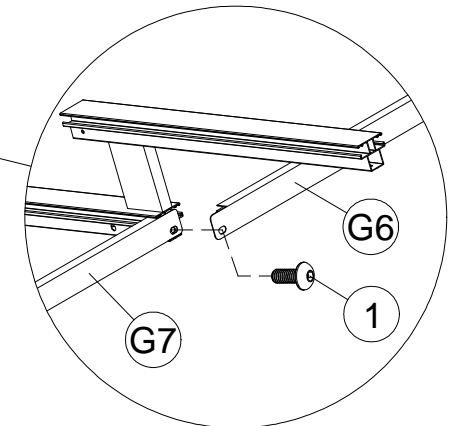
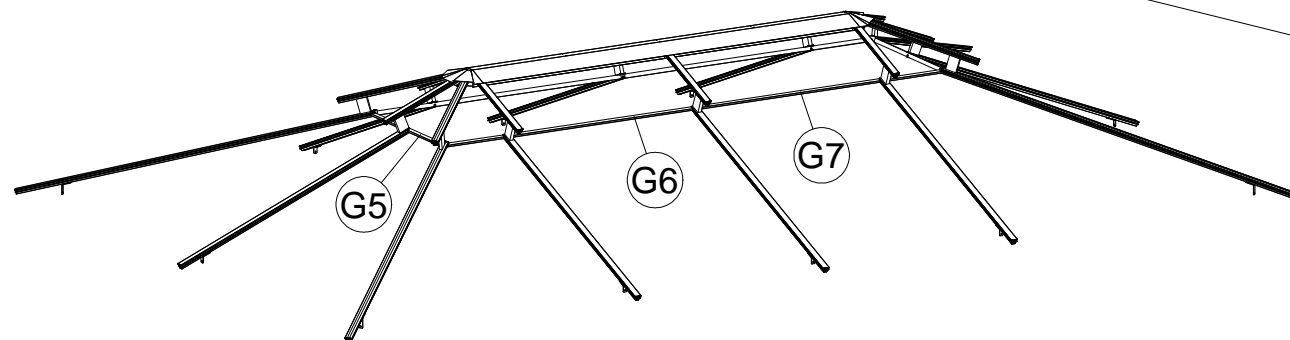
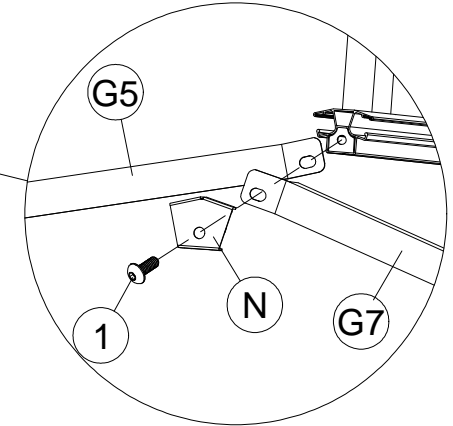
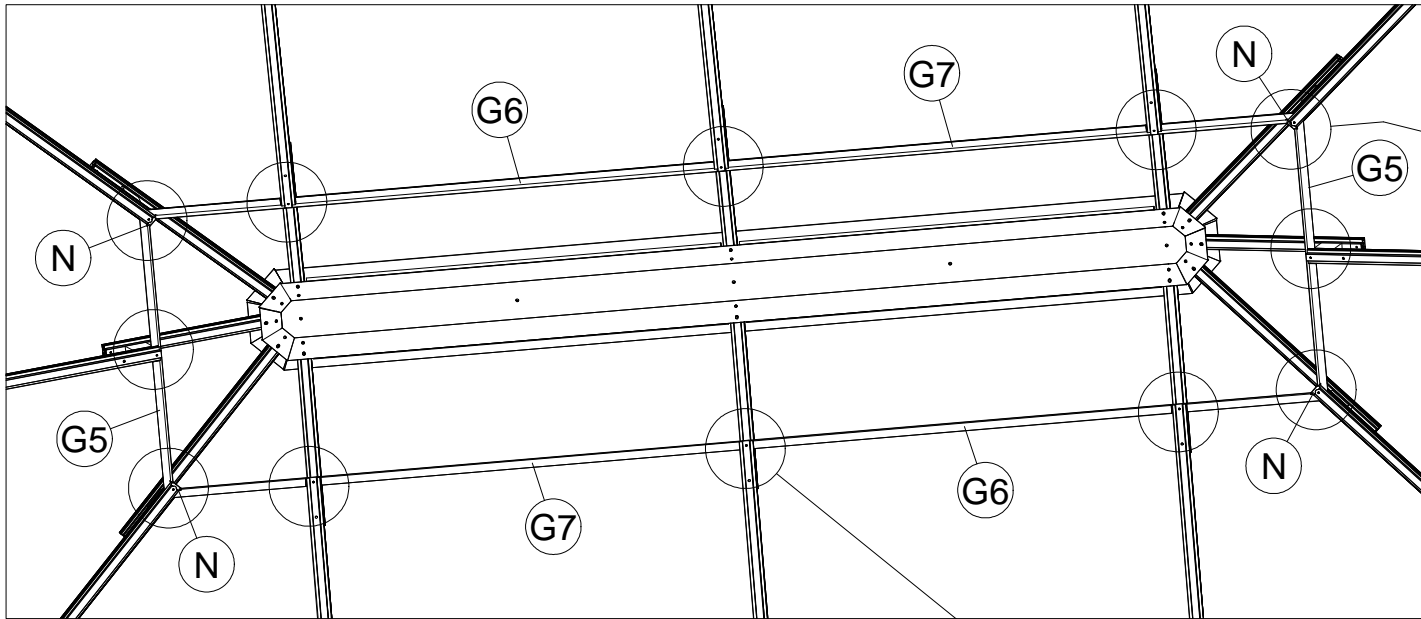
N x4

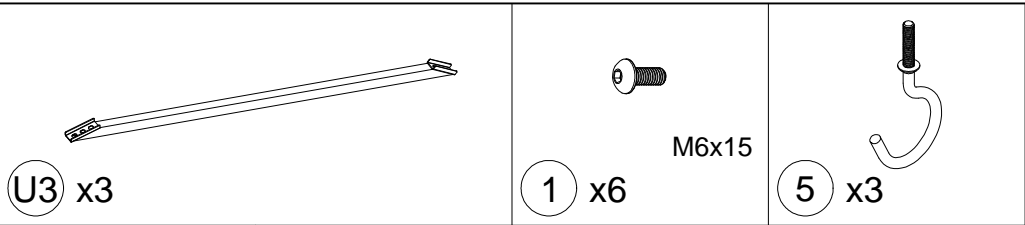


M6x15

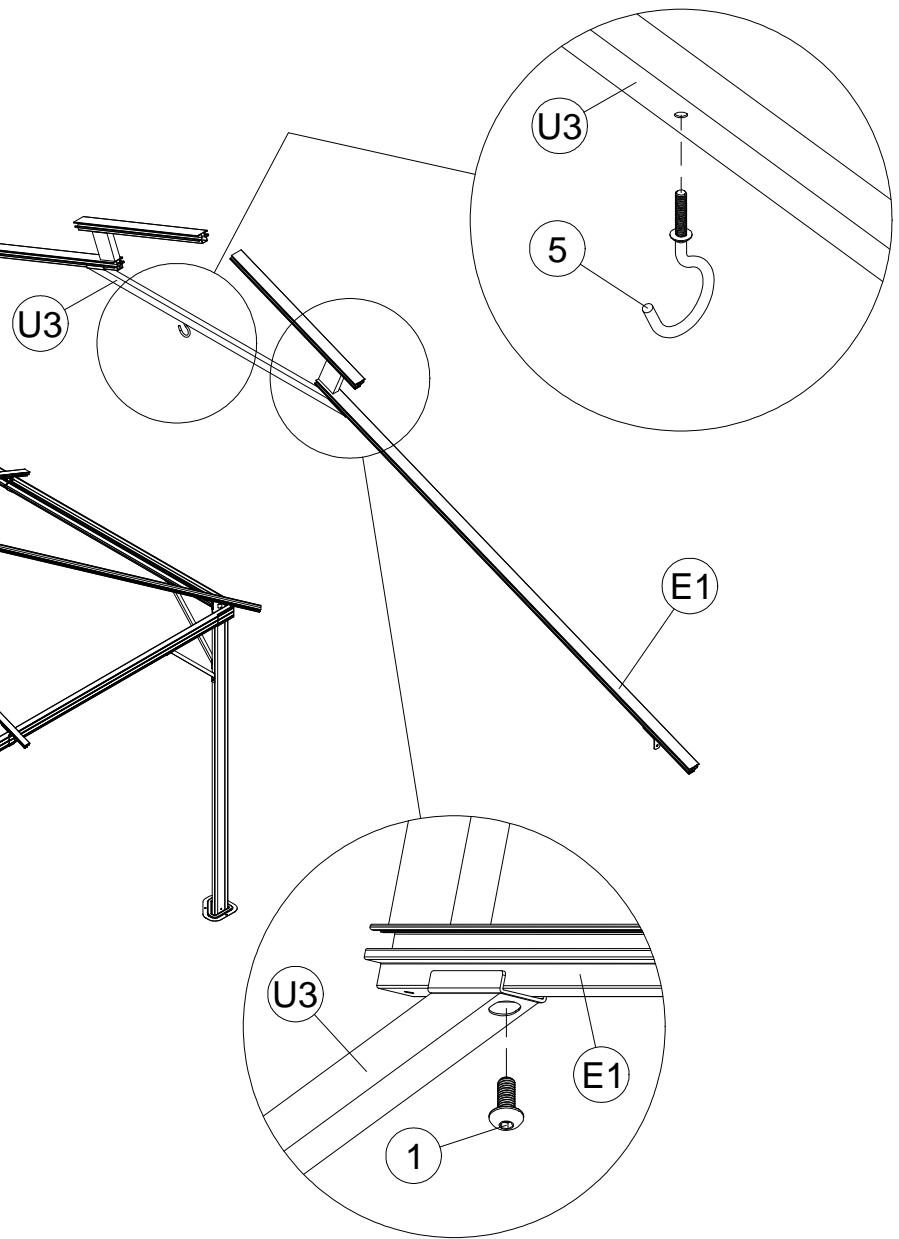
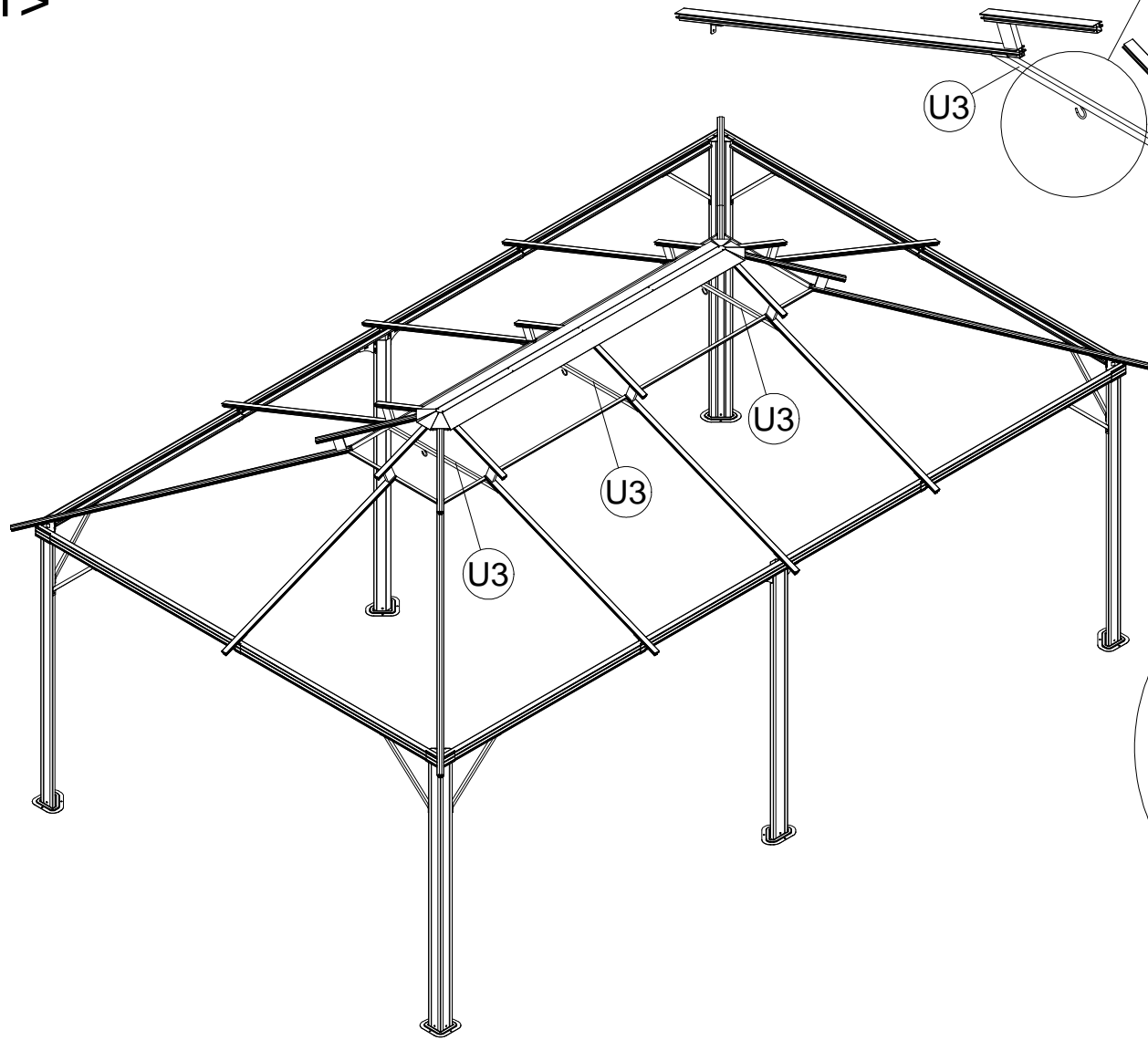
1 x12

<20>

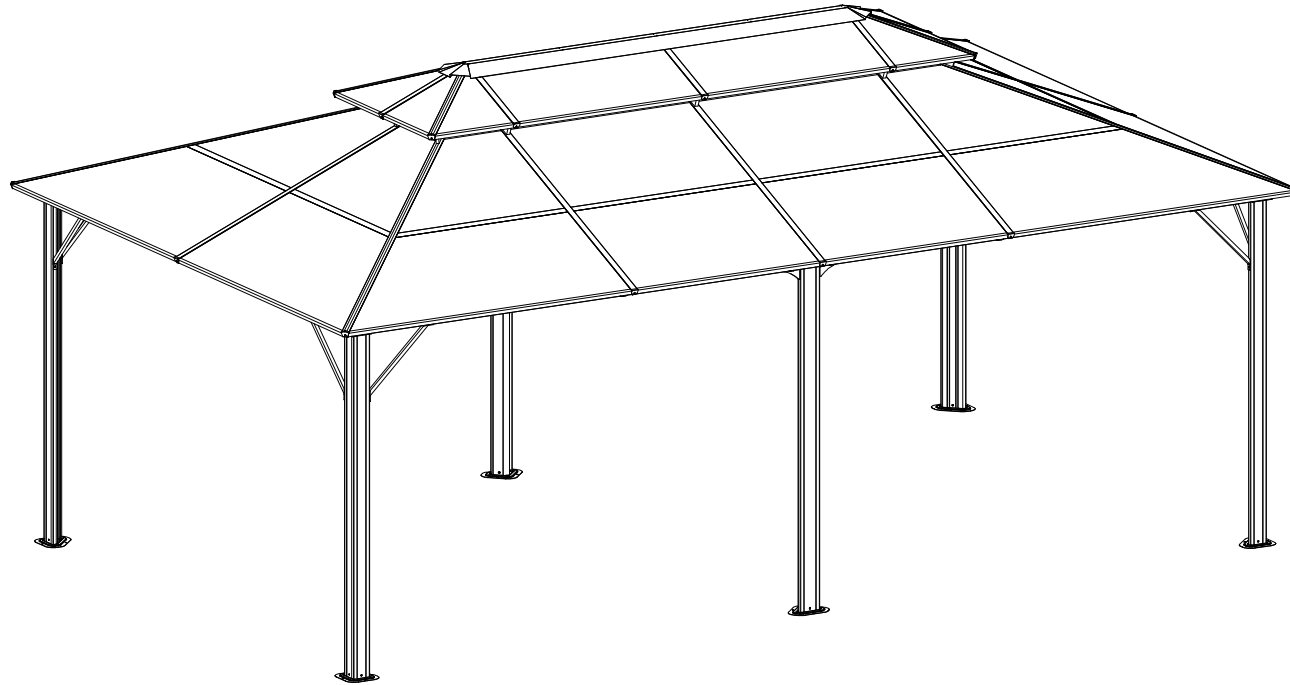




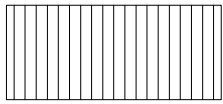
<21>



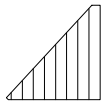
STEP 3



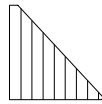
Tips: When installing the screws, don't tighten them all the way first, just roughly hold them in place, and when you're sure that all the parts are installed, then you can tighten the screws to secure the frame.



S x4

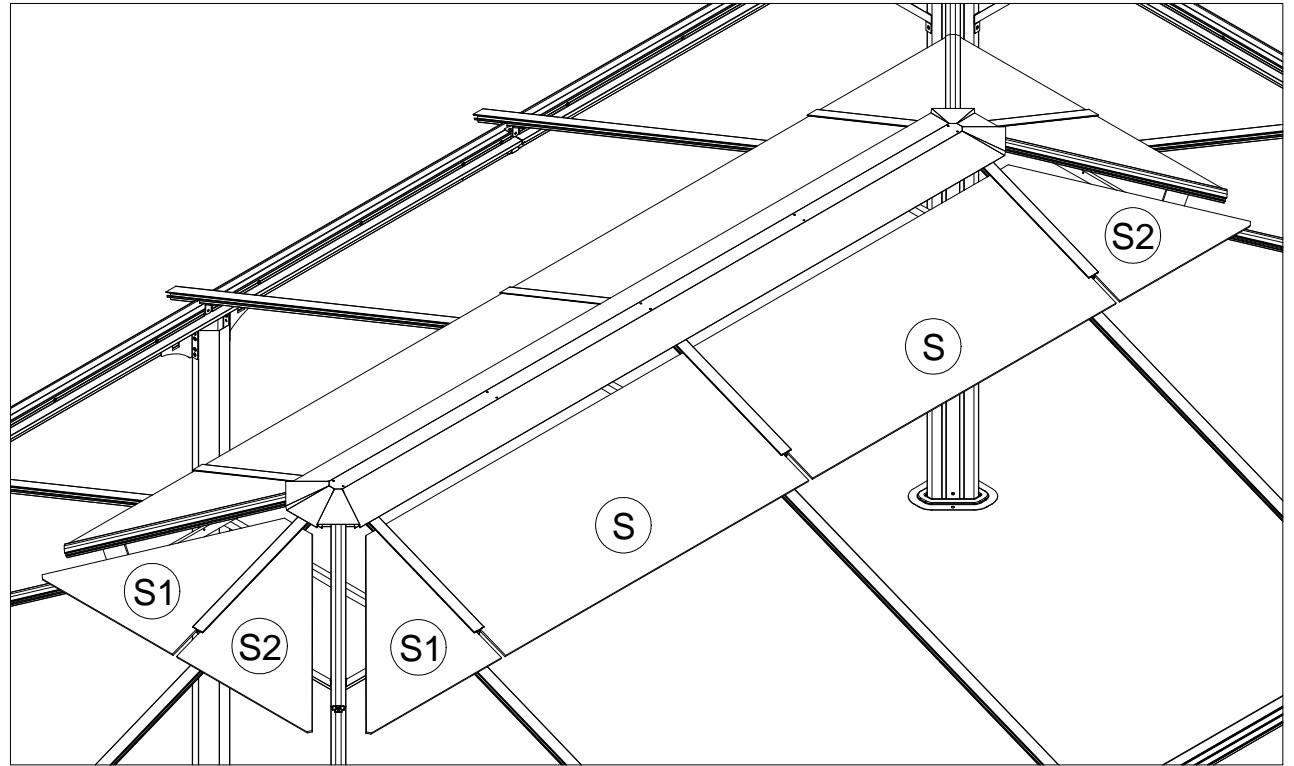
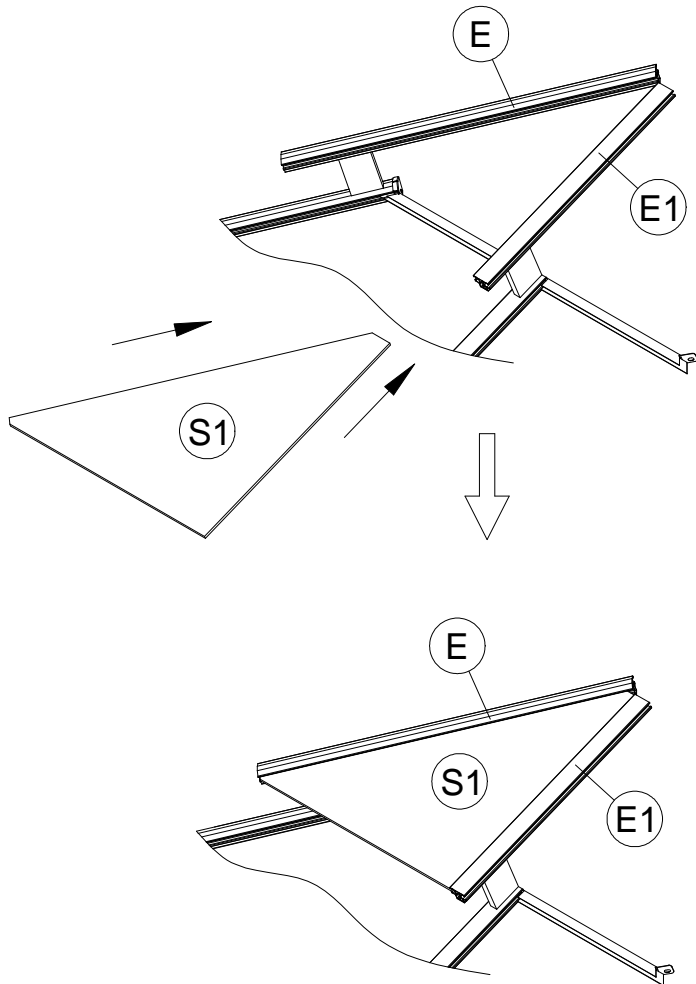


S1 x4



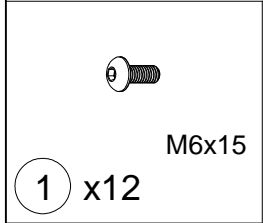
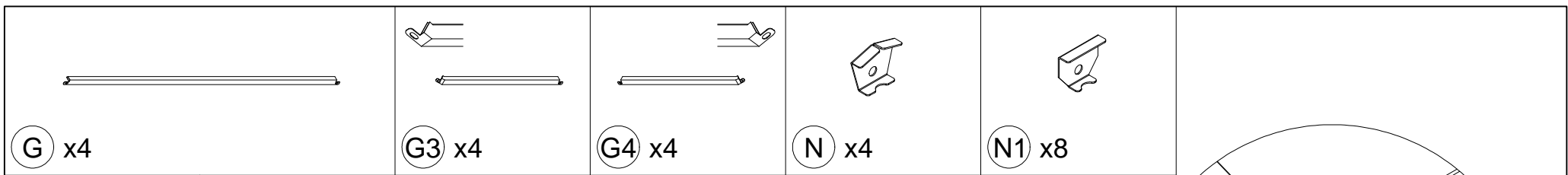
S2 x4

<22>

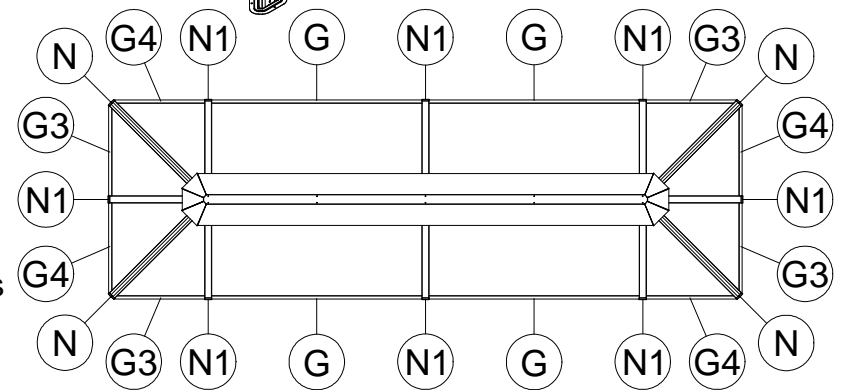
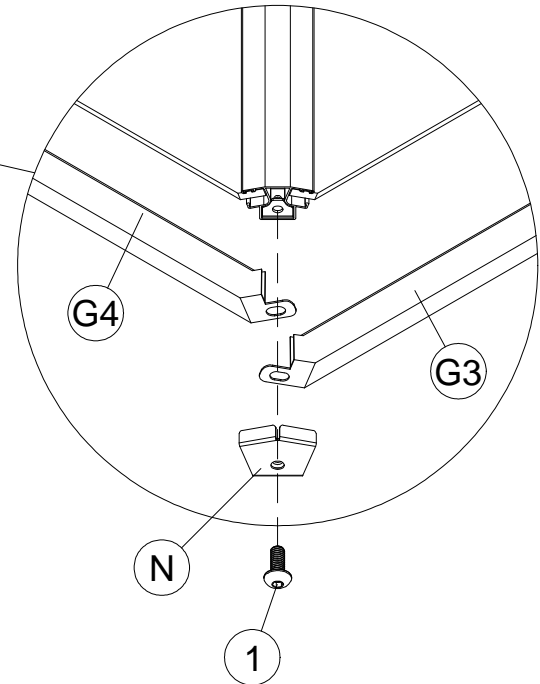
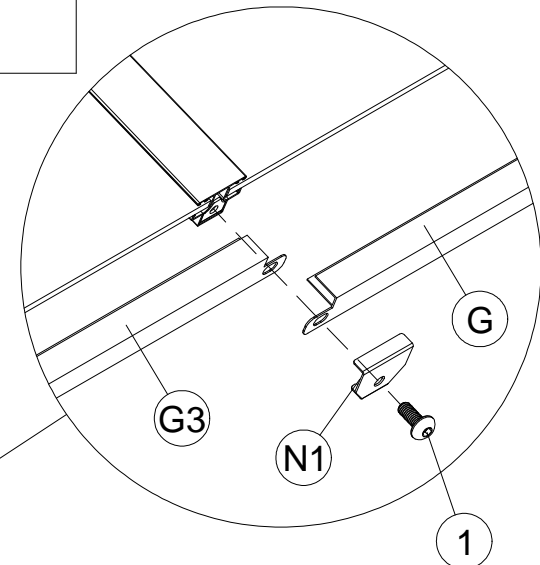
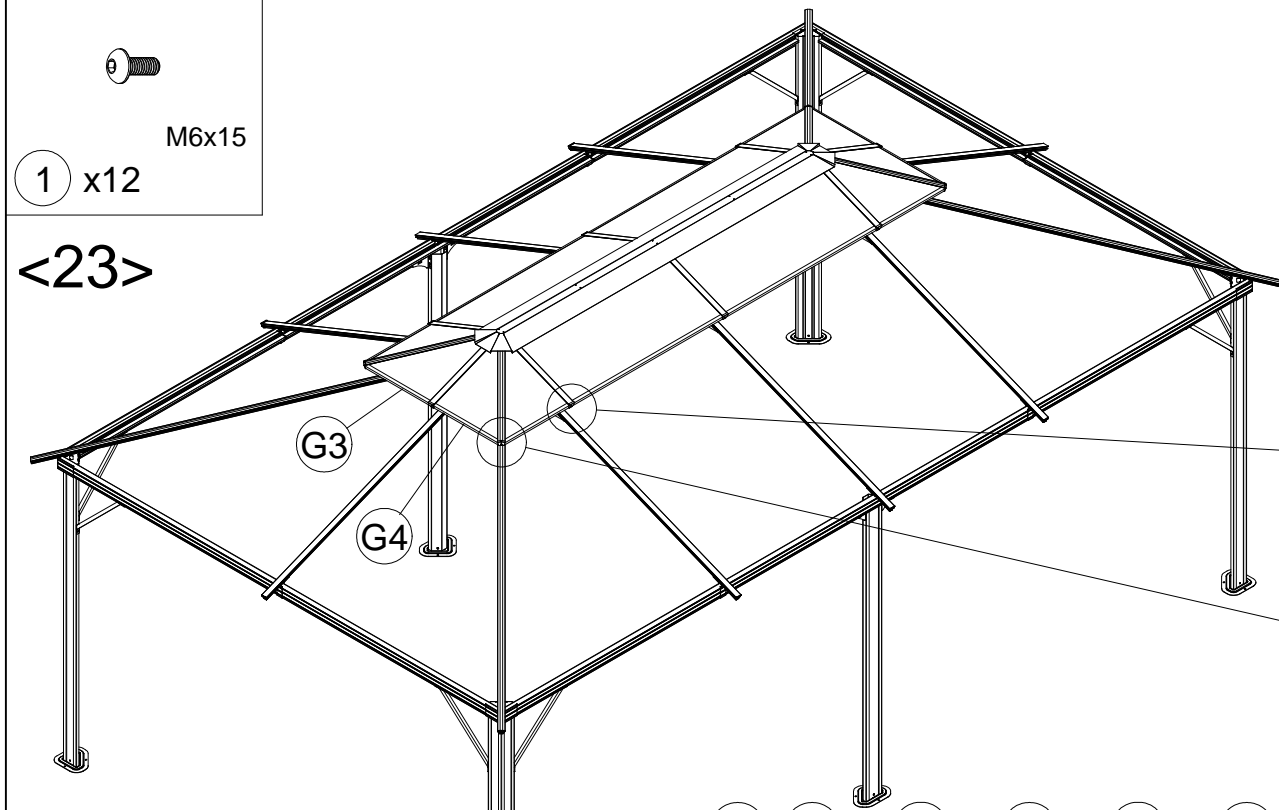


Tips:

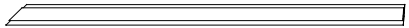
1. Before installing the panels, first tear off the protective film.
2. When installing the panels, gently slide them into the track.
3. If you meet resistance during the sliding process, pull back the panels and try to install them again, don't exert too much force to avoid the panels breaking.
4. If the panels can't be stuck into the sliding groove, you can Use sharp-nosed pliers to open the slots a little.



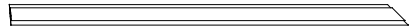
<23>



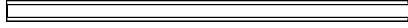
Tip: When installing the brackets, there will be overlap between the brackets. Do not tighten the screws yet, wait to make sure all the brackets are in the correct position before tightening the screws to secure them.



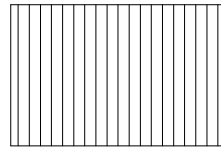
F1 x4



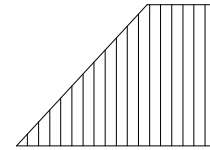
F2 x4



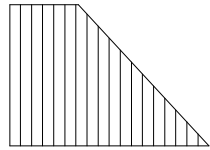
F x4



Q x4

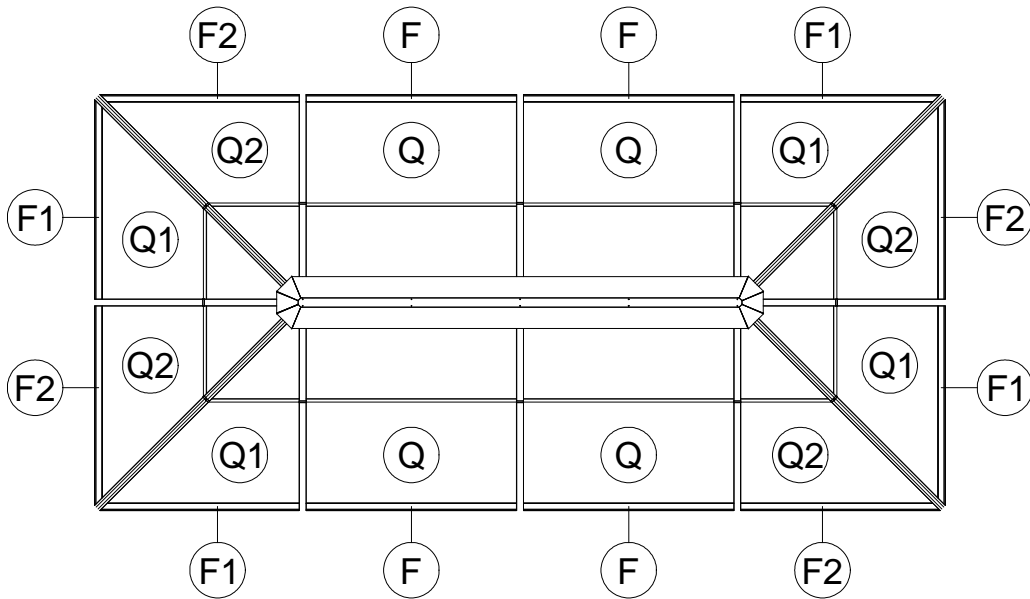
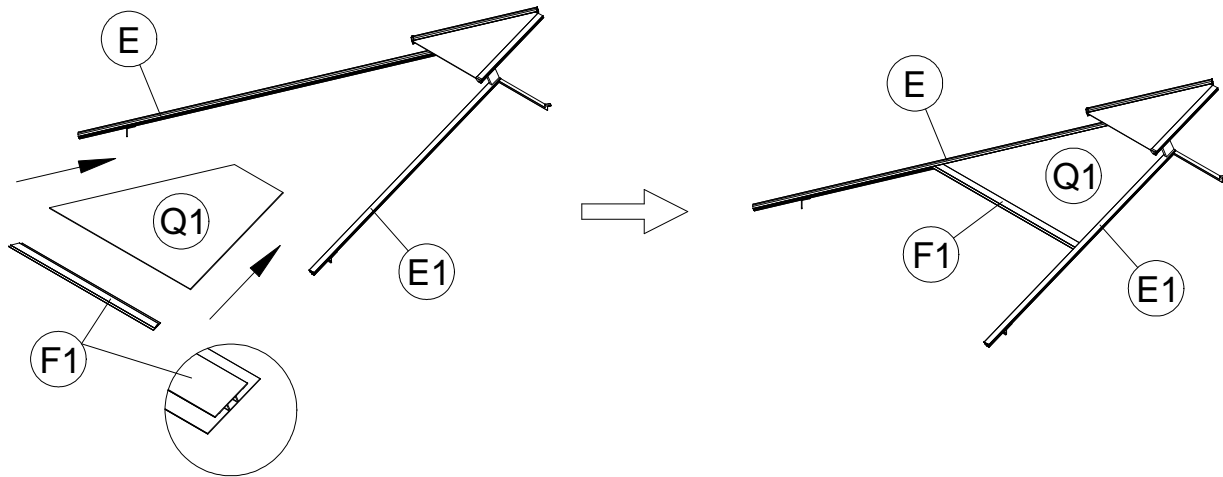


Q1 x4

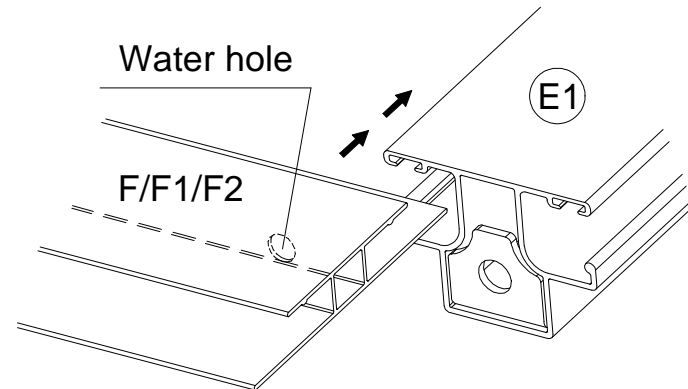
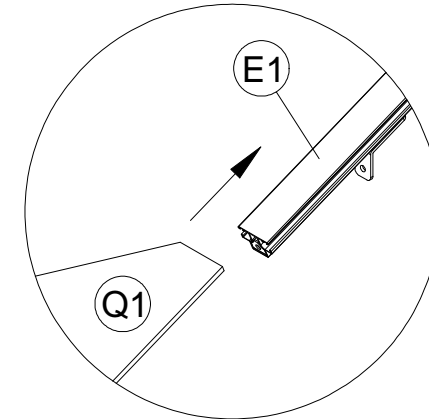
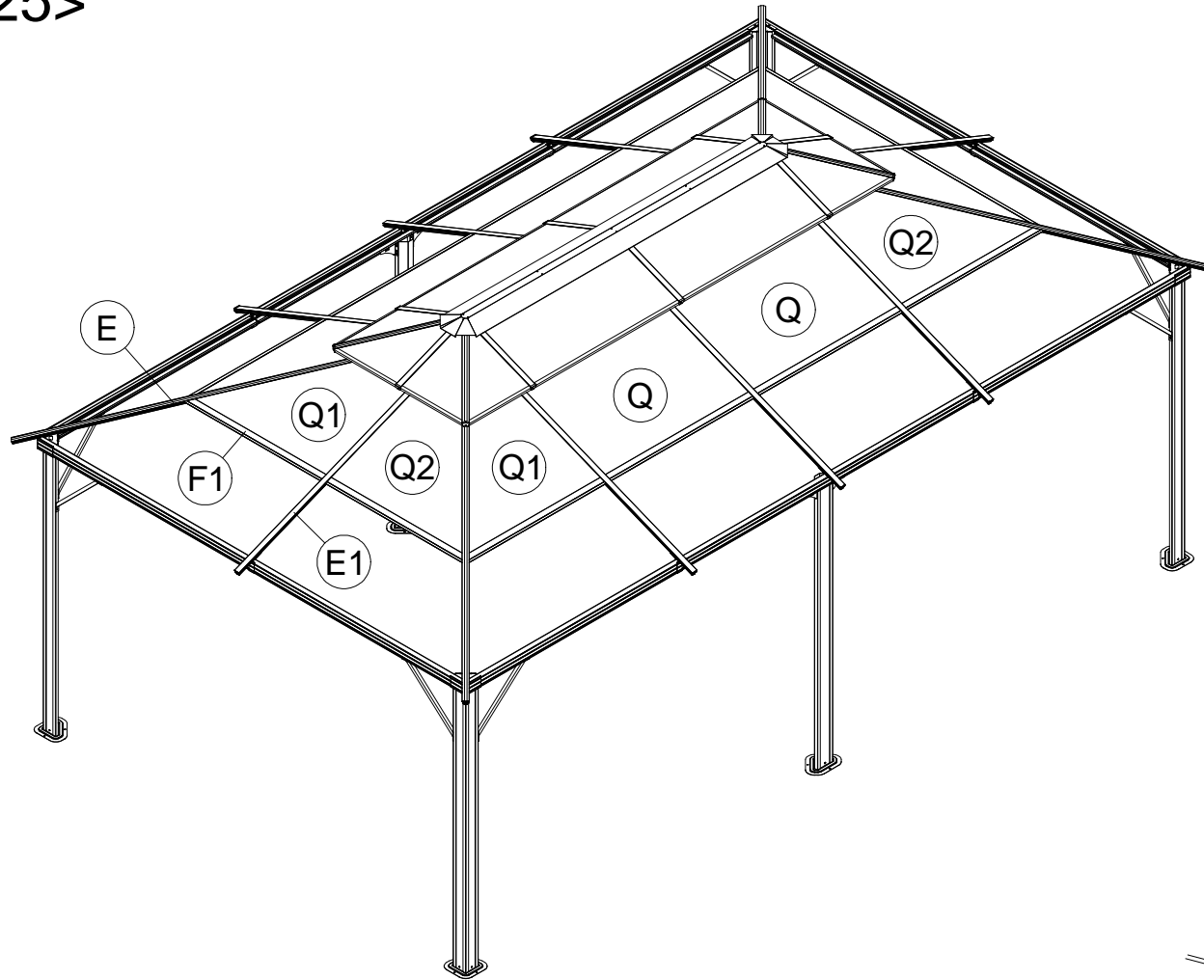


Q2 x4

<24>



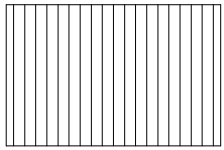
<25>



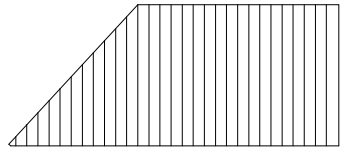
Note:

1. When F1 or F2 or F slide into the E, the wide side must be face down and narrow side face up, otherwise will cause water leaking

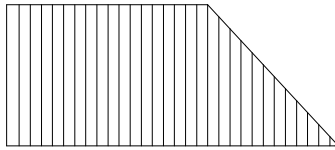
2. F or F1 or F2 the water holes inside of the tube must be face up. otherwise will cause water leaking



Q x4

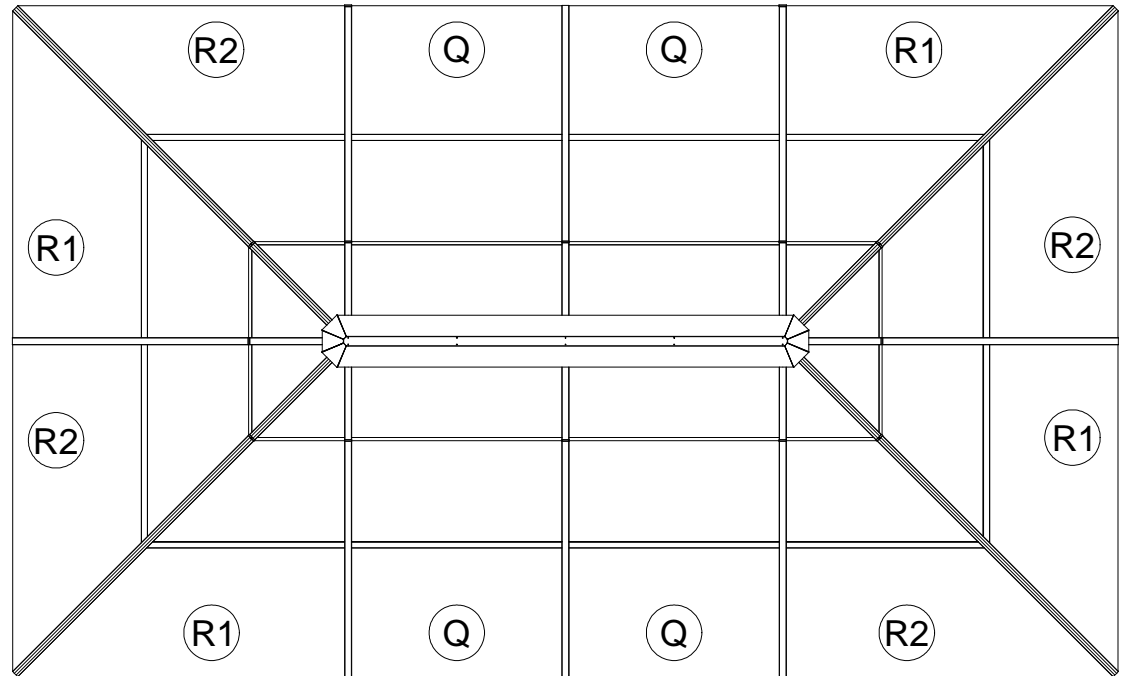
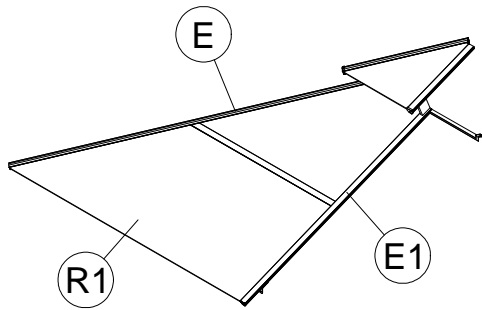
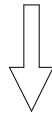
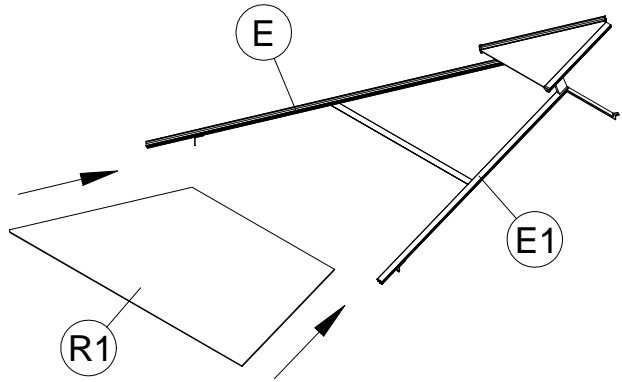


R1 x4

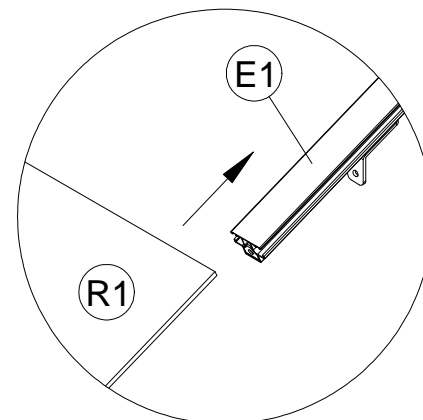
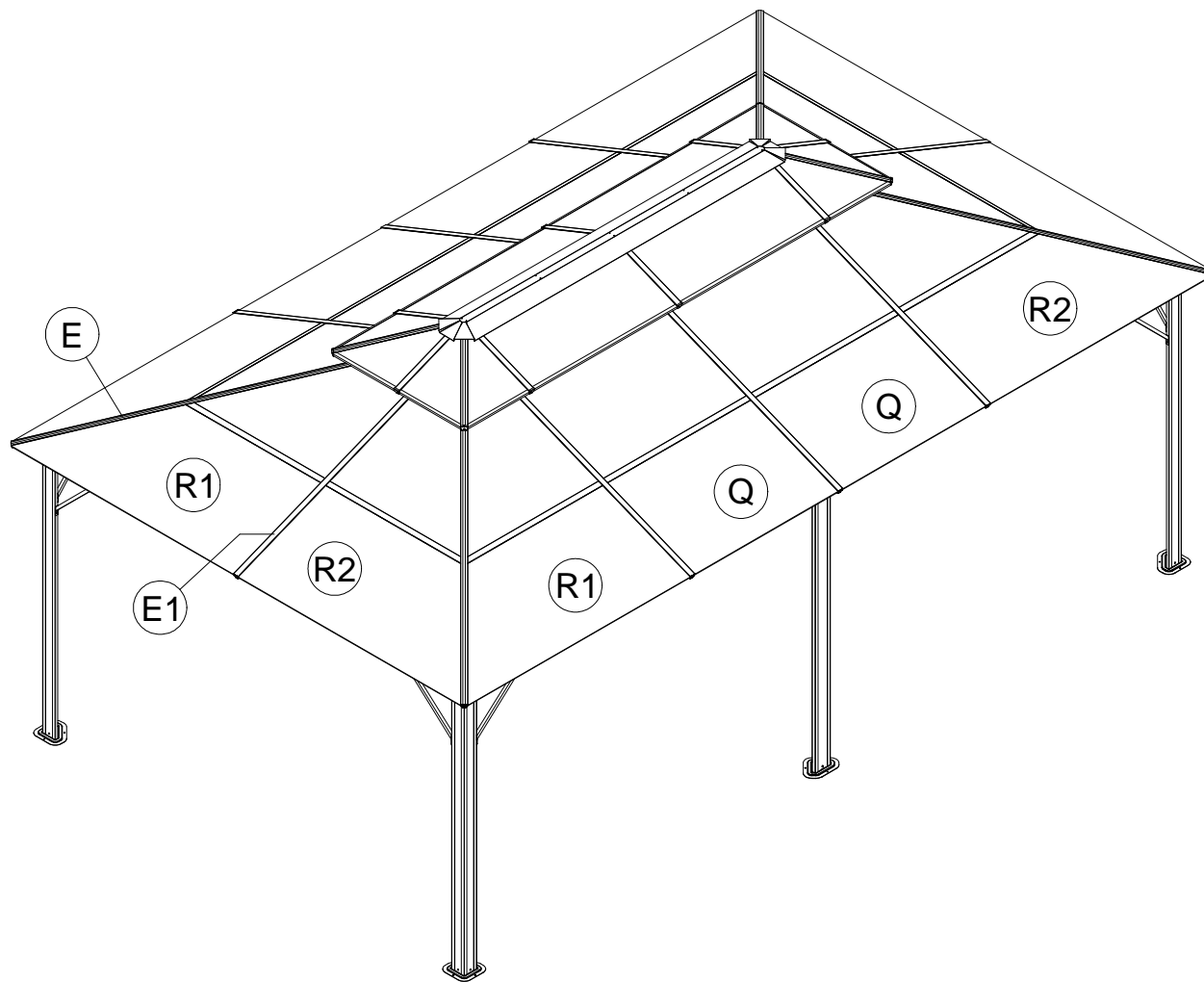


R2 x4

<26>



<27>





G1 x4



G2 x4



N x4



N1 x8



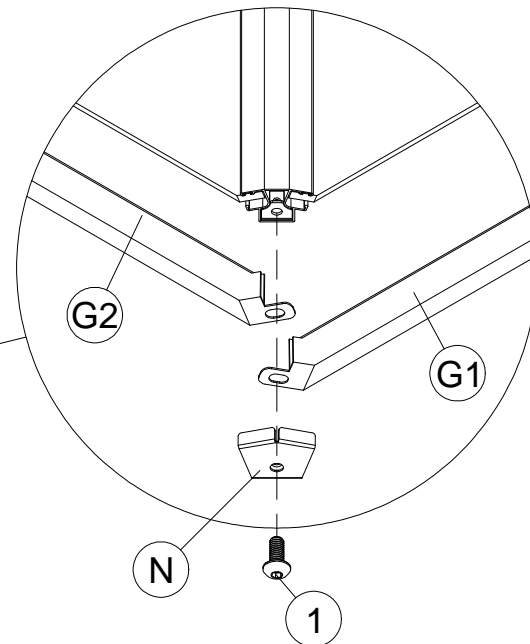
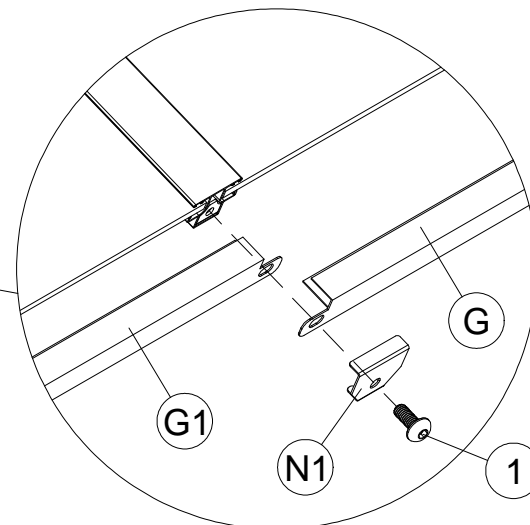
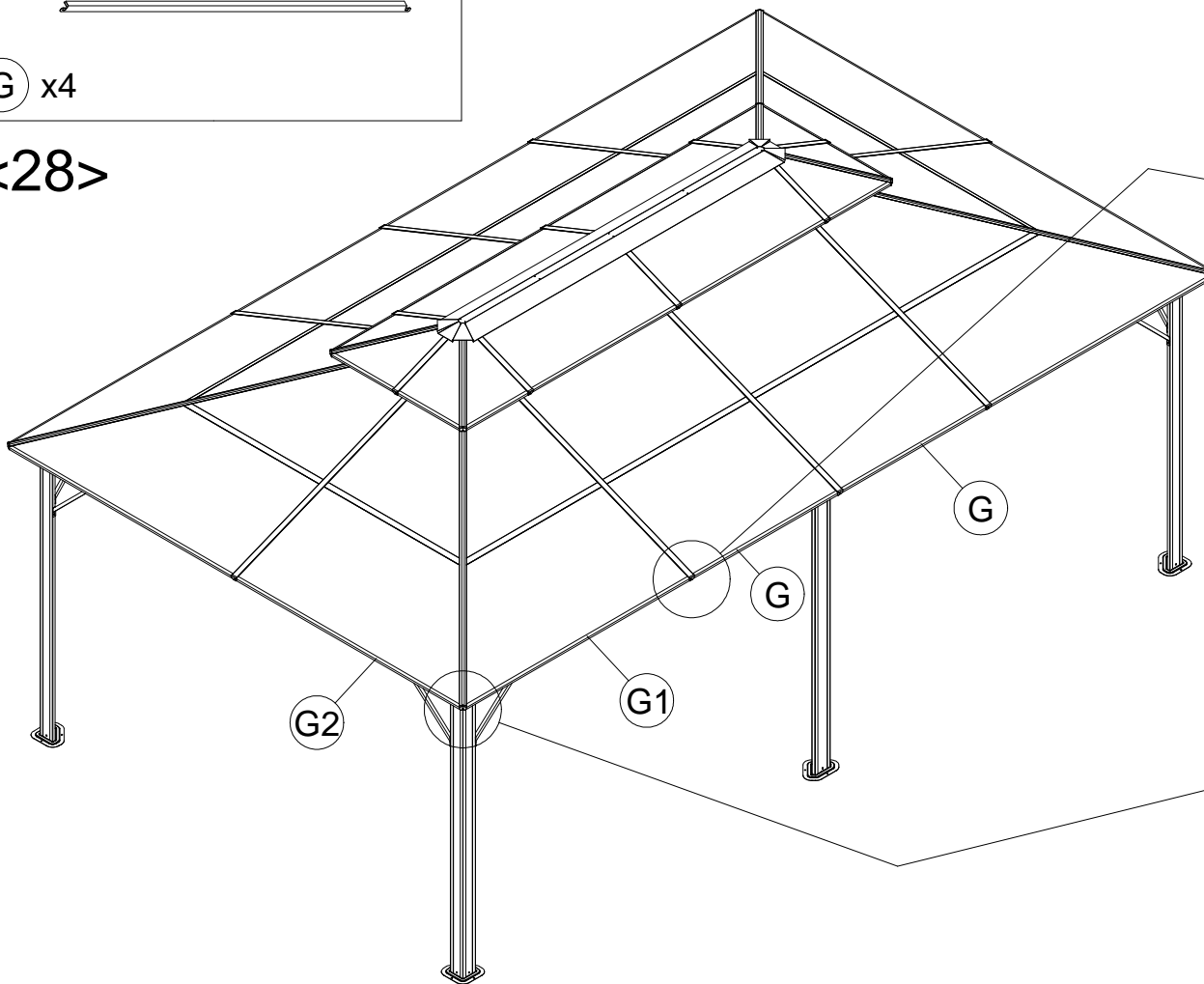
M6x15

1 x12

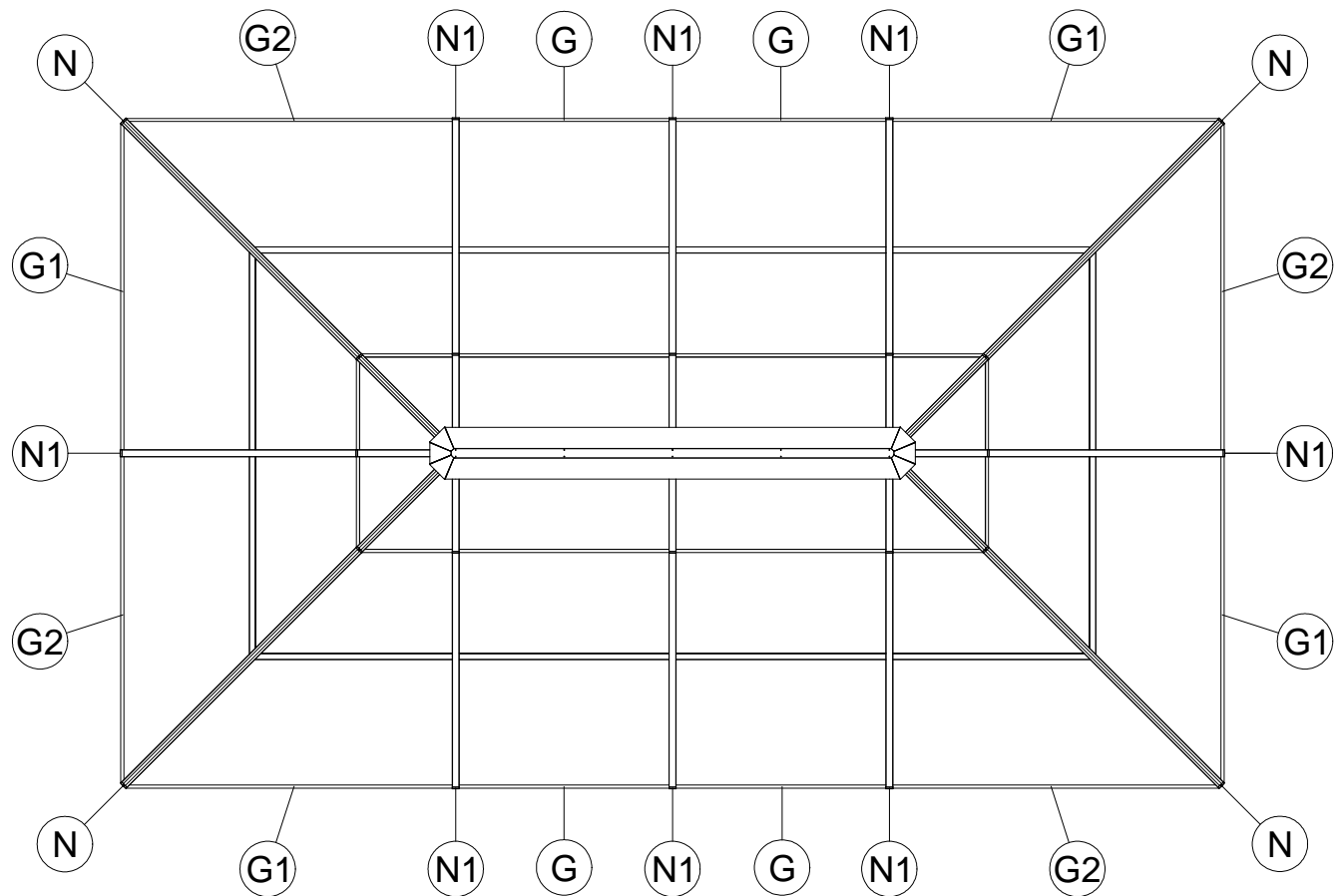


G x4

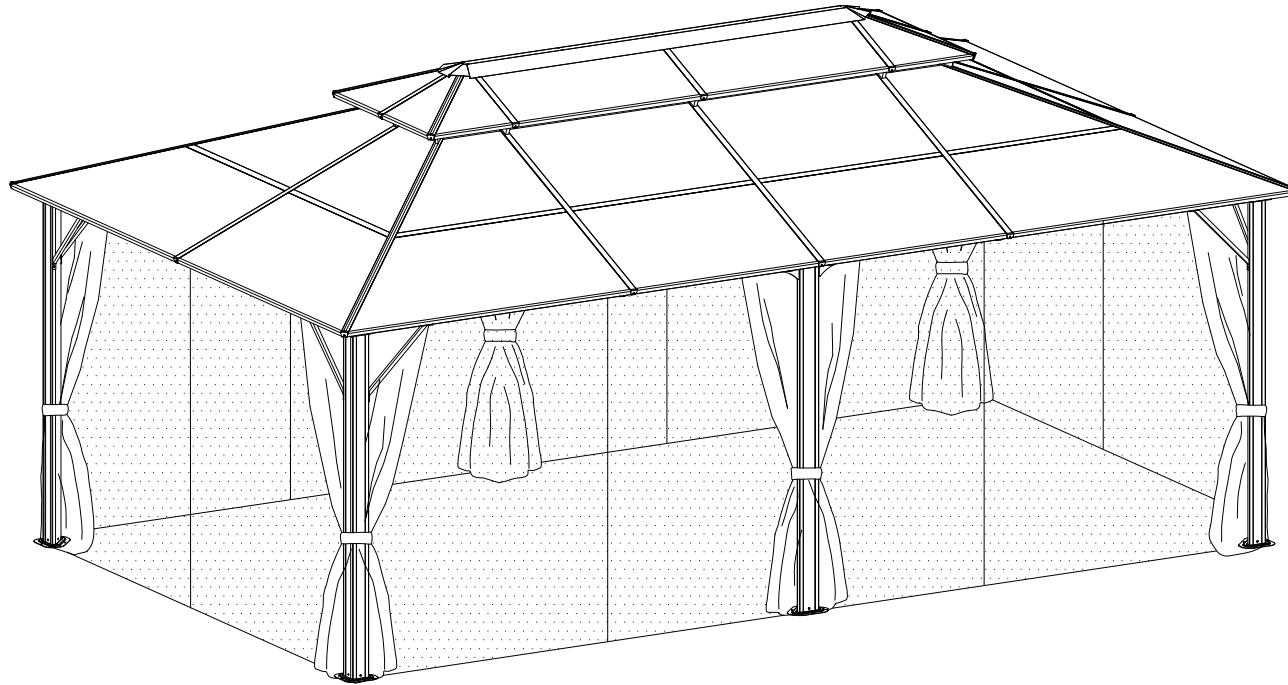
<28>



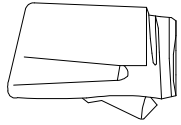
<29>



STEP 4

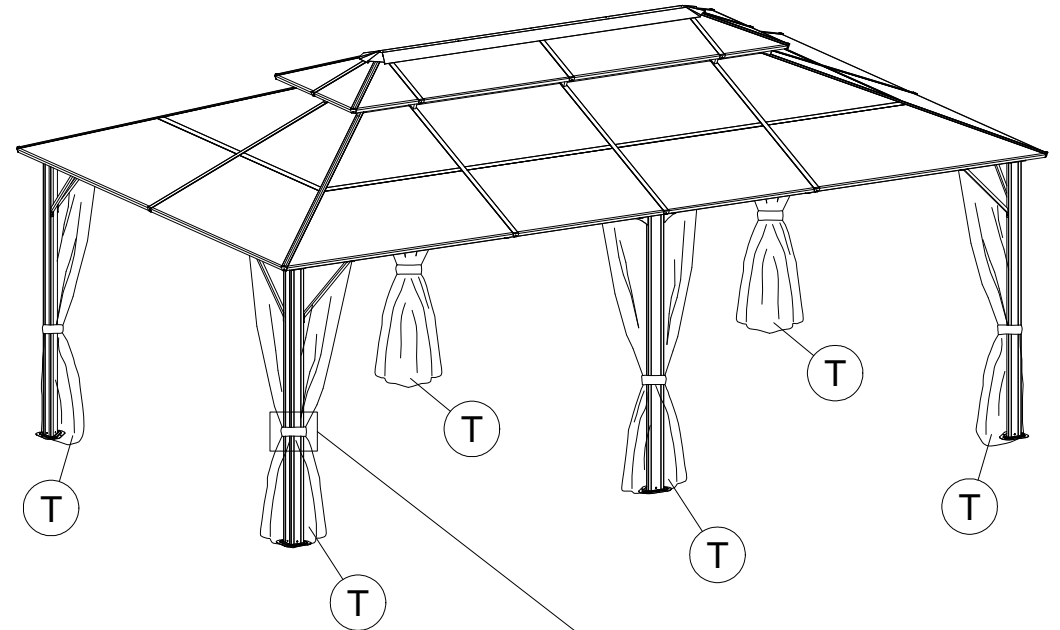
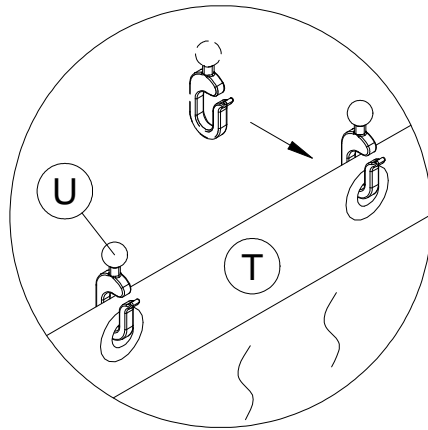
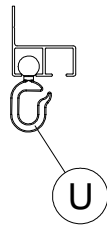


Tip: Be sure to hang the nettings on the inside track and the privacy curtains on the outside track

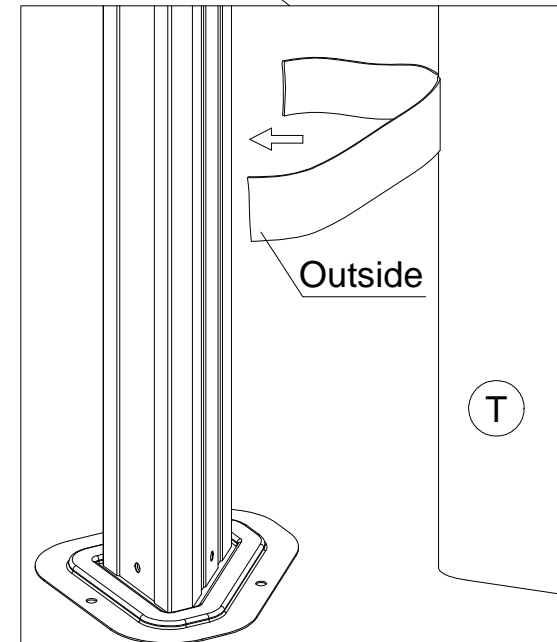
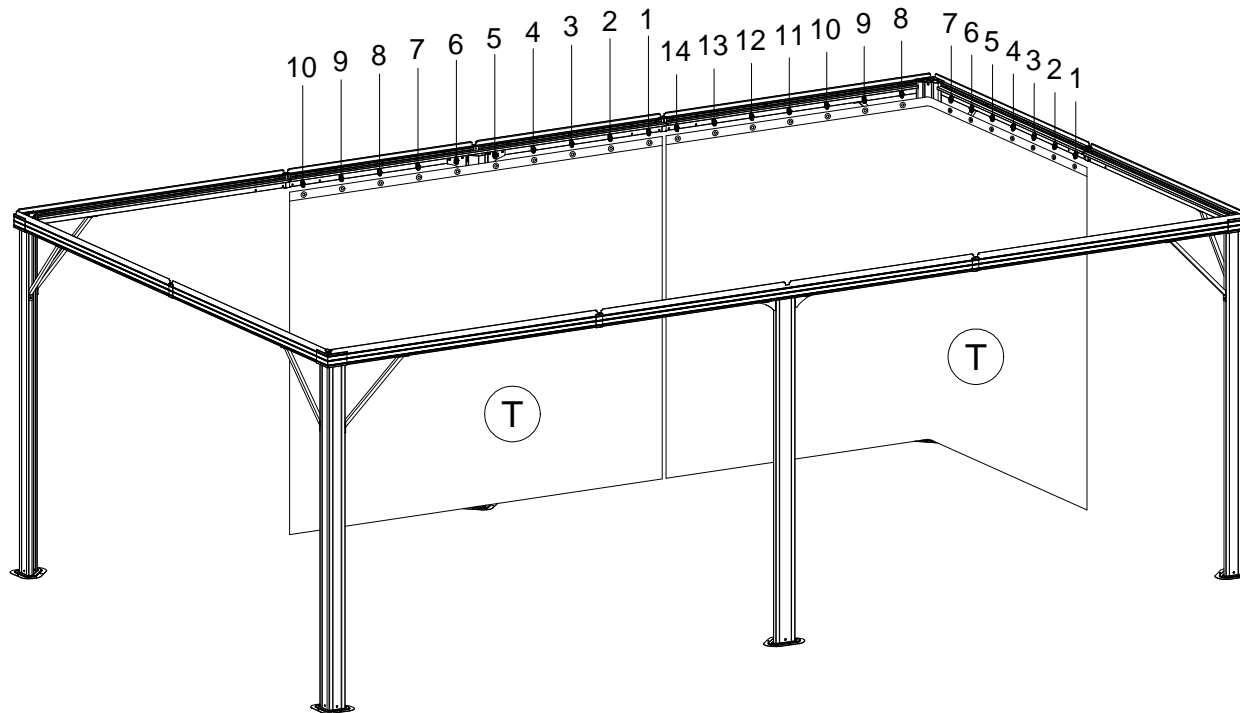


T x4+x2

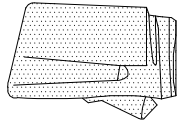
<30>



Tips: When installing curtains, you can first find the tie for the curtain, and then hang the curtain according to the hole number on the left and right sides of the tie.

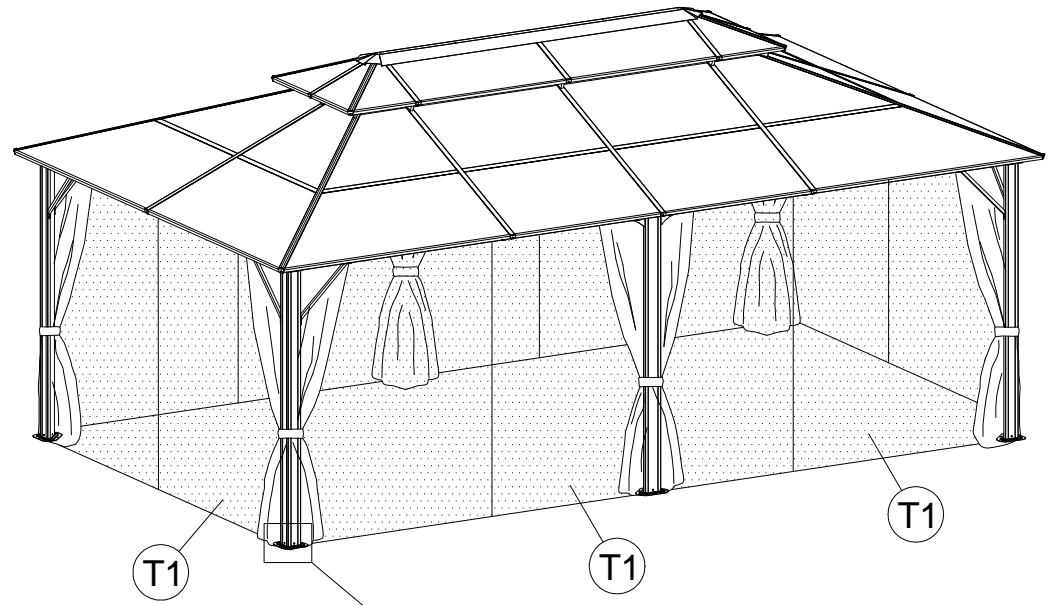
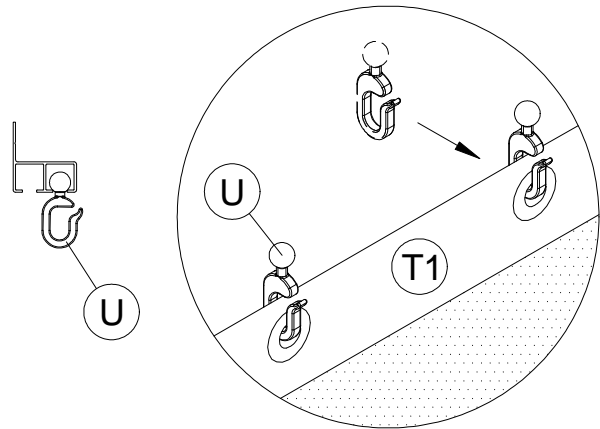


The curtain has outside and inside.

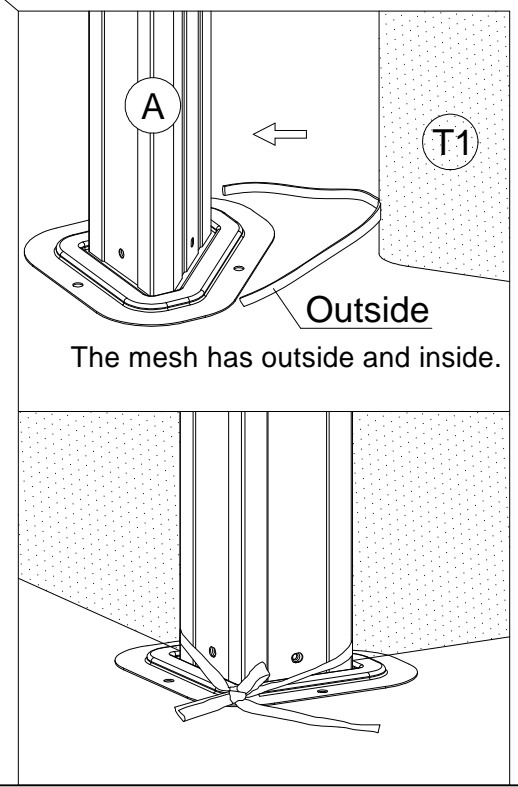
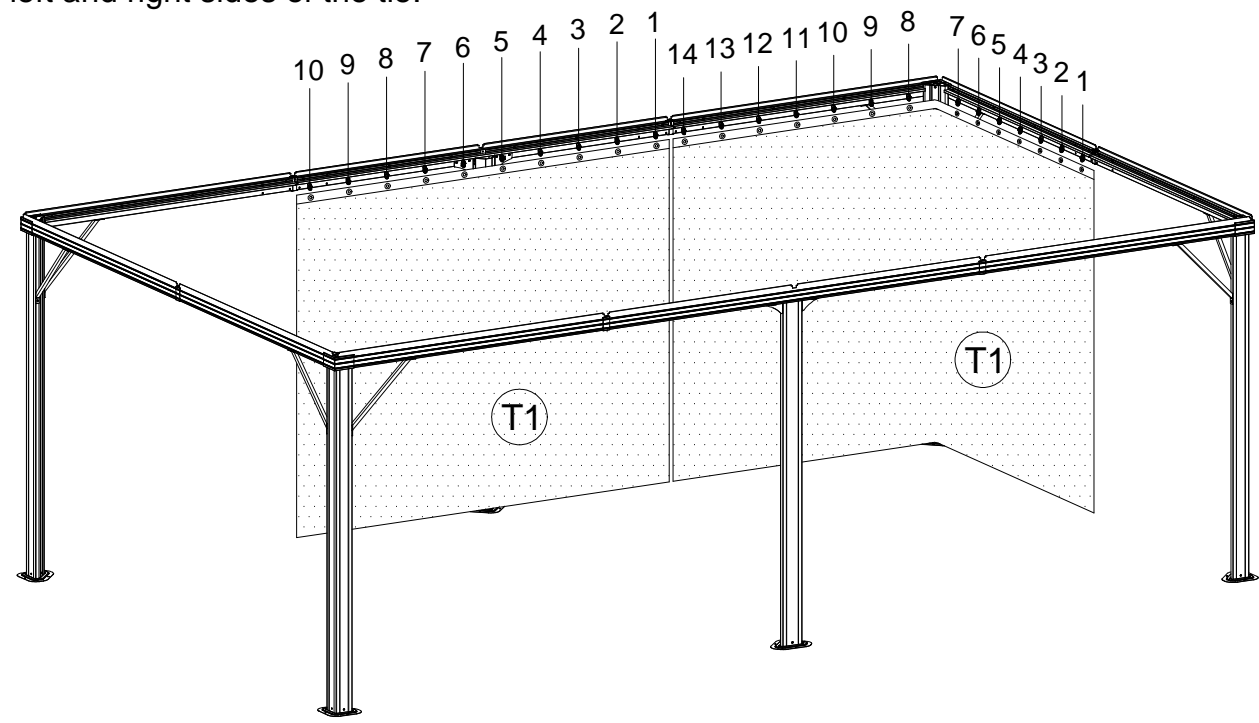


T1 x4+x2

<31>



Tips: When installing nettings, you can first find the tie for the netting, and then hang the netting according to the hole number on the left and right sides of the tie.

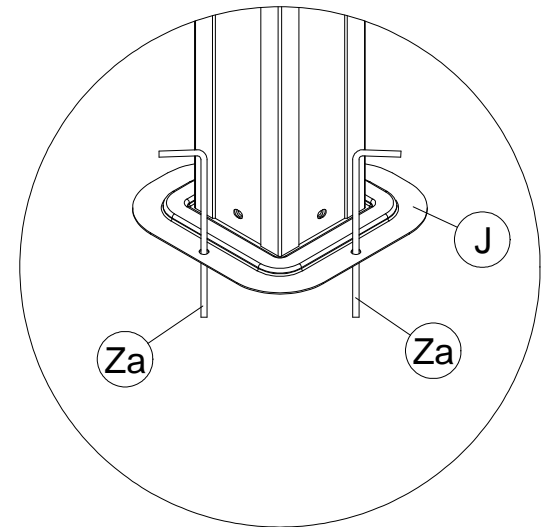
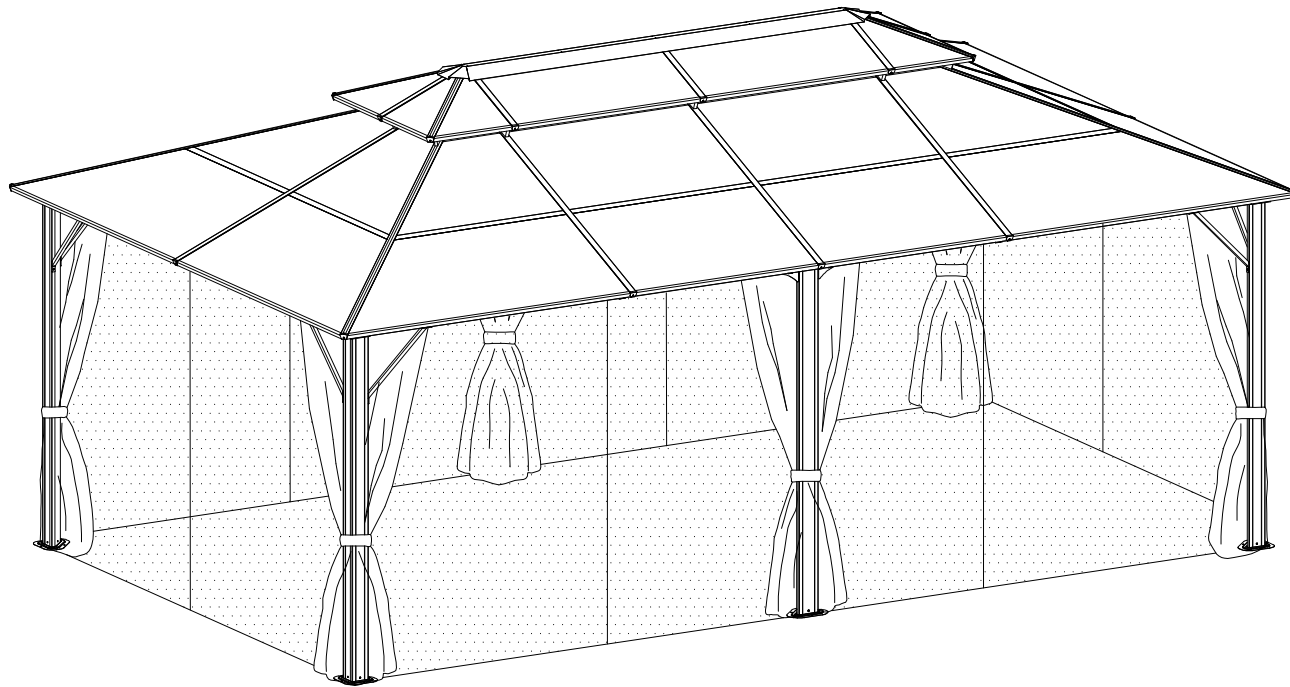


Outside
The mesh has outside and inside.



Za x18

<32>



DANCOVER[®]

.com

Contact information

Austria



Belgium



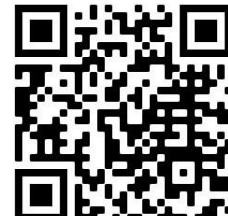
Croatia



Denmark



Estonia



Finland



France



Germany



Ireland



Italy



Latvia



Lithuania



Nederland



Norway



Poland



Portugal



Spain



Sweden



Switzerland



UK



For more information please visit: www.dancovershop.com