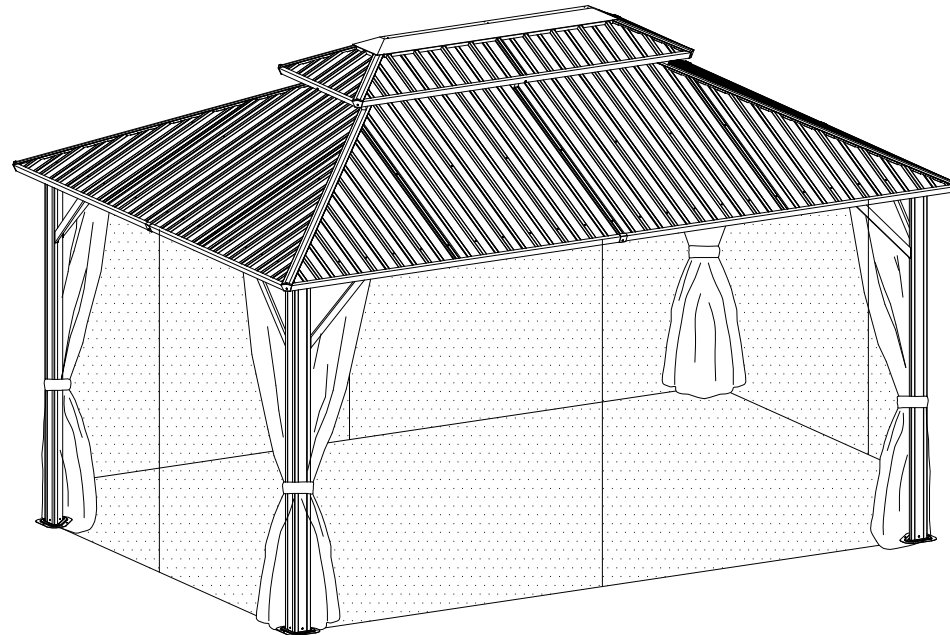


CosyLifeStyle[®]

Manual
for
Gazebo Santa Fe
3x4,25m

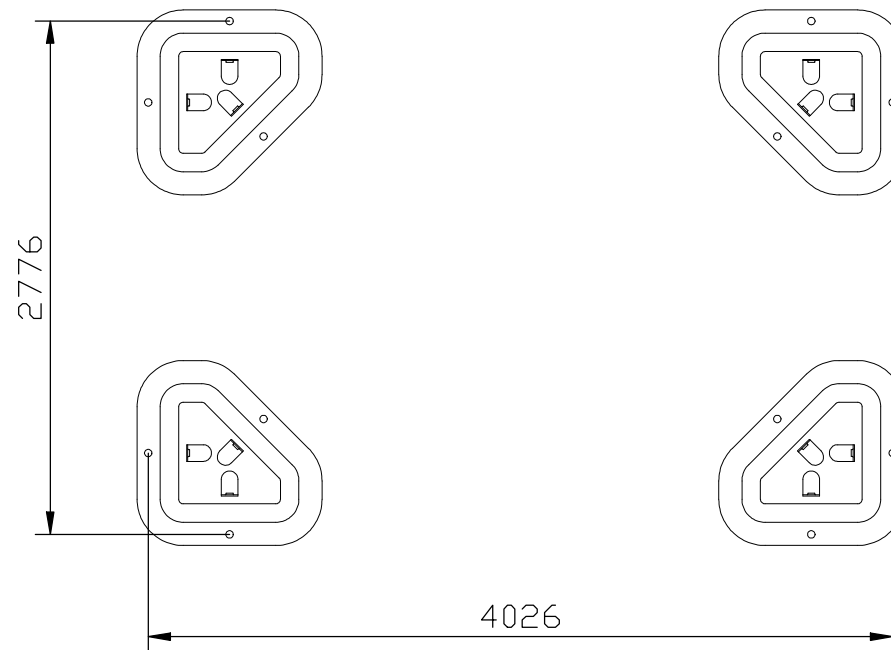
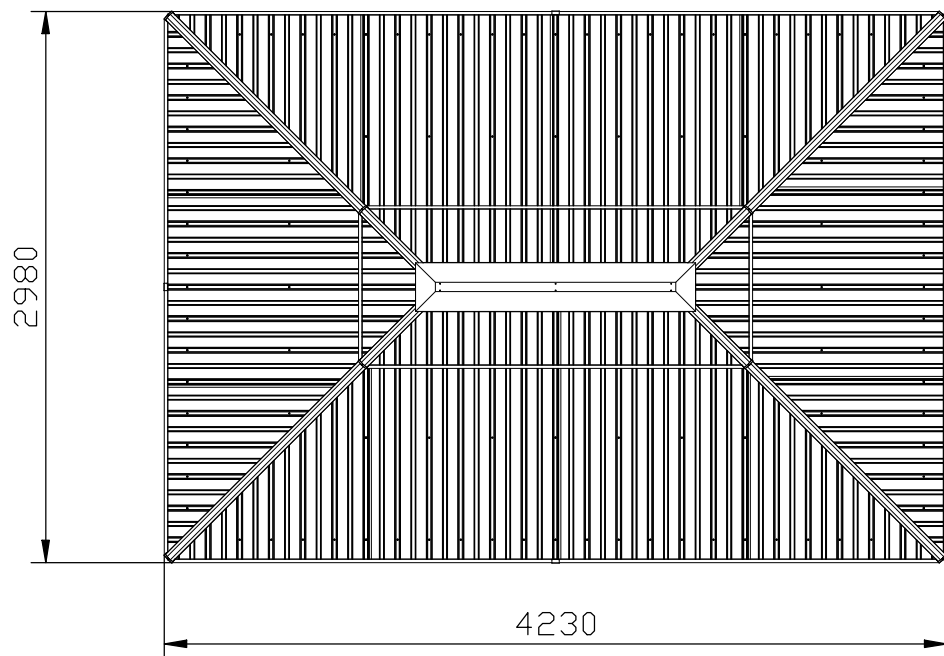
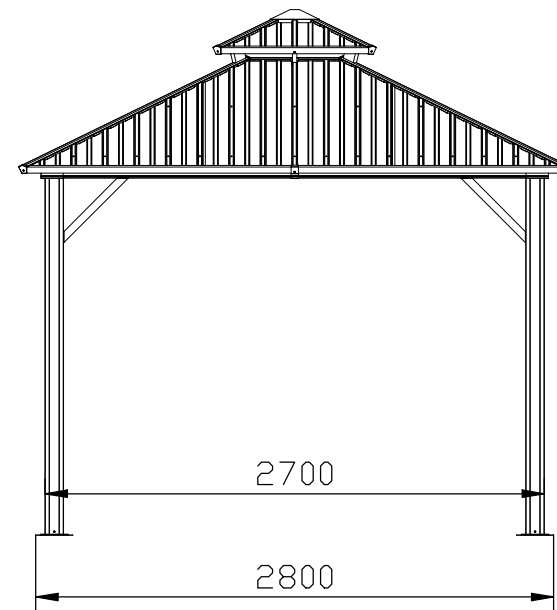
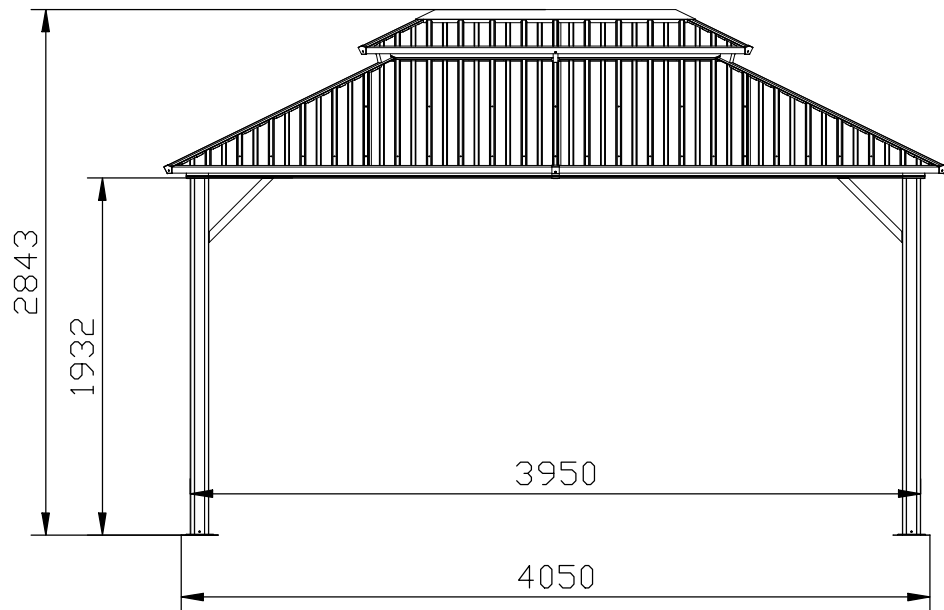
3 x 4.25 M




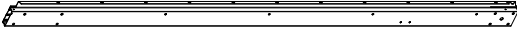






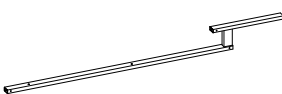













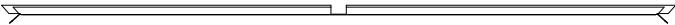
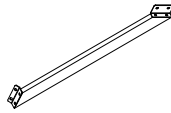
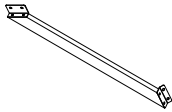
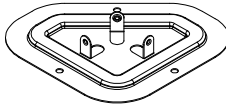
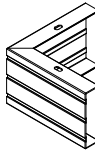


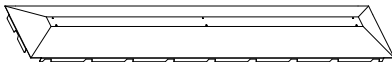

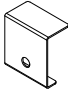
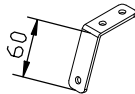
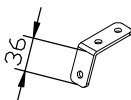
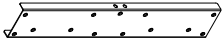
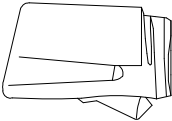
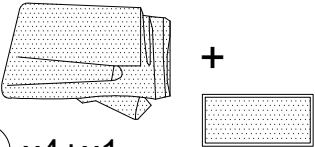

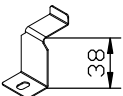
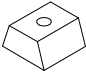
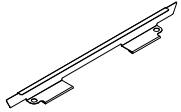
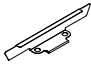
Assembly requires at least 3 people working together

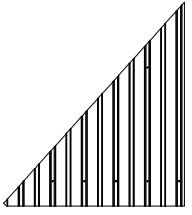
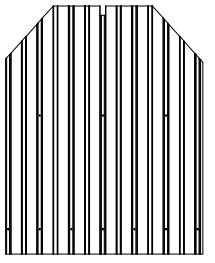
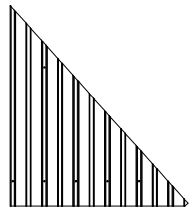
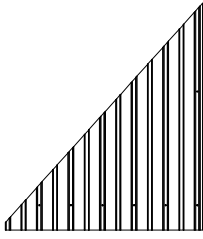
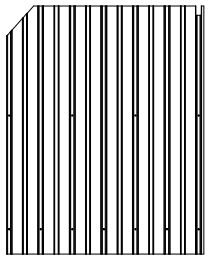
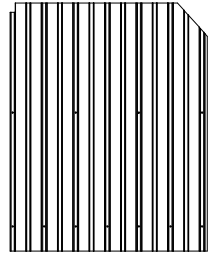
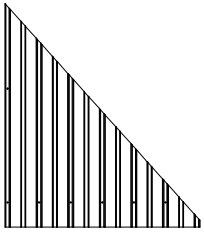
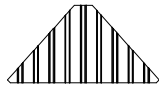
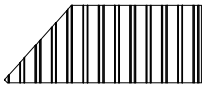
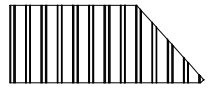

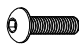





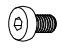


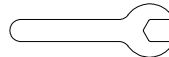
REQUIRED TOOLS



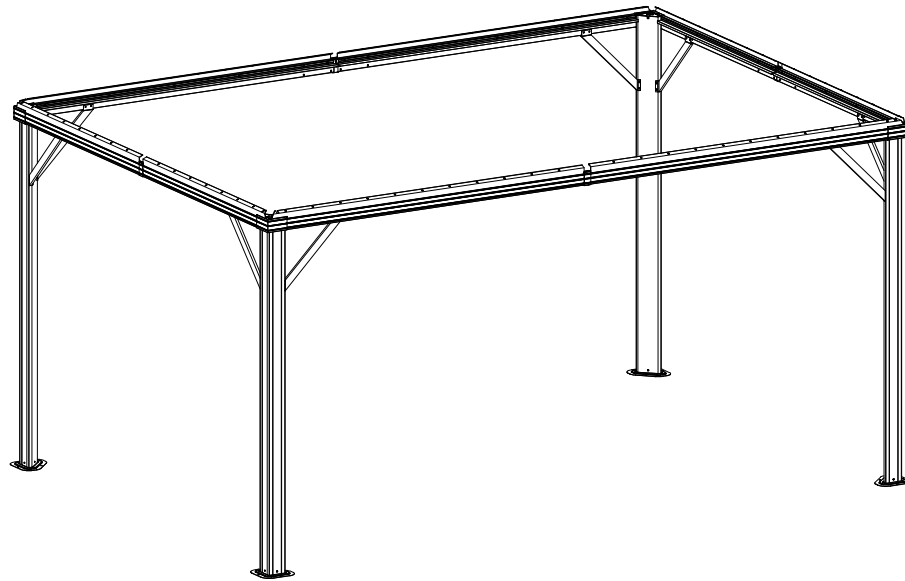


 (A) x4	 (B) x2	 (B1) x2
 (C) x2	 (C1) x2	 (D) x2
 (D1) x2	 (D2) x2	 (D3) x2
 (E) x4	 (E1) x4	 (F1) x2
 (F2) x2	 (F3) x2	 (F4) x2
 (G1) x2	 (G2) x2	 (G3) x2

									
G4 x2		G5 x2		G6 x2					
									
G7 x2		G8 x2			H1 x4				
									
H2 x4		J x4		K x4		K1 x4			
									
L x1		M x1		N x12		N1 x4			
									
N2 x4		N3 x4		P x4		T x4		T1 x4+x1	
									
U x112		V x4		Y x100		Z x60		Z1 x12	

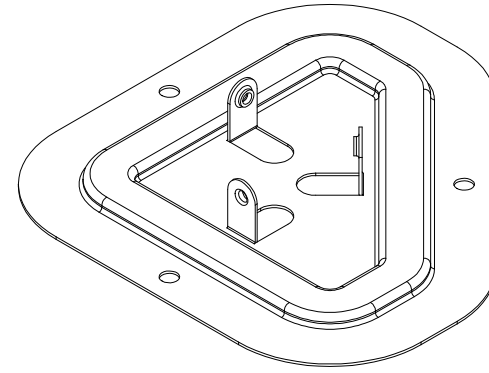
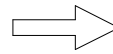
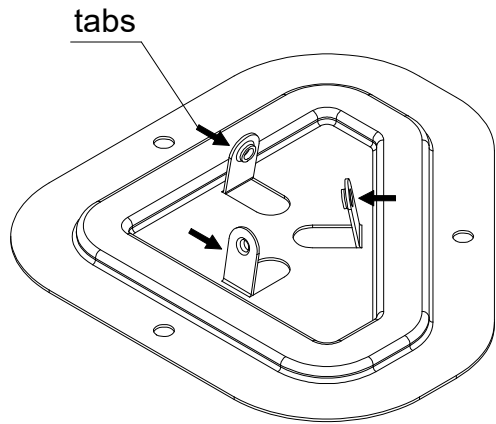
				
Q1 x2	Q x2	Q2 x2	R1 x2	R2 x2
				
R3 x2	R4 x2	S x2	S1 x2	S2 x2
	 x8  x72			
1 x149 M6x15	2 x8+x72 M6x23	3 x36 M5x12	4 x24 ST4.8x12	5 x2
			 x1  x1	
6 x20 M6x42	7 x32 M6x10	Za x12		

STEP 1



Tips: When installing the screws, don't tighten them all the way first, just roughly hold them in place, and when you're sure that all the parts are installed, then you can tighten the screws to secure the frame.

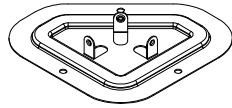
<1>



Tips: If the tabs on the base are crooked, you can use pliers to straighten them for easy screw installation



A x4



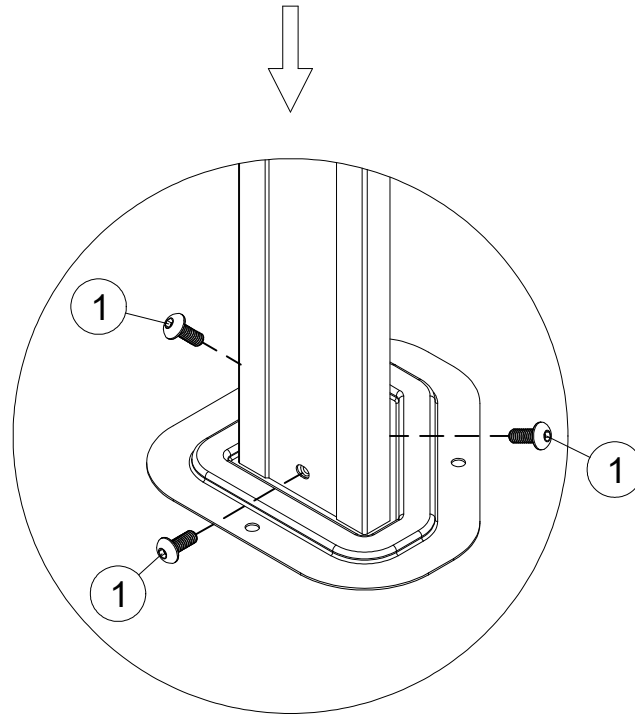
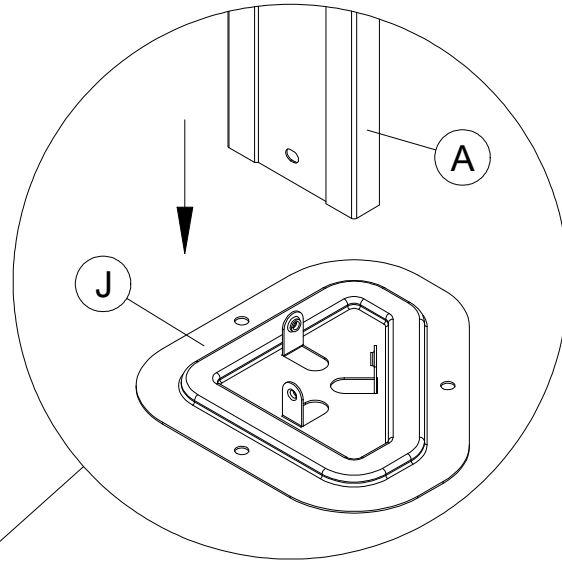
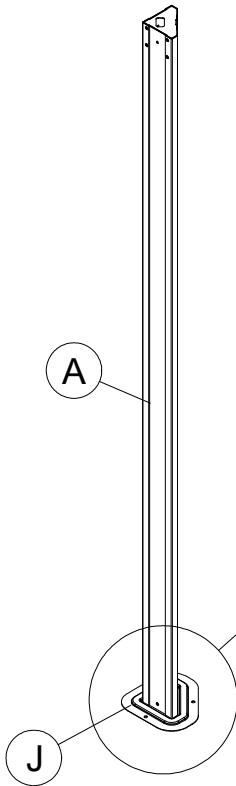
J x4



M6x15

1 x12

<2>

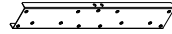




(B) x2



(B1) x2



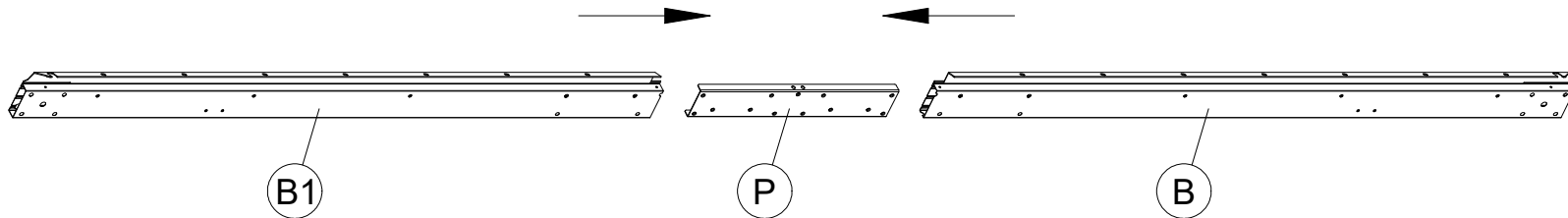
(P) x2



M6x15

(1) x12

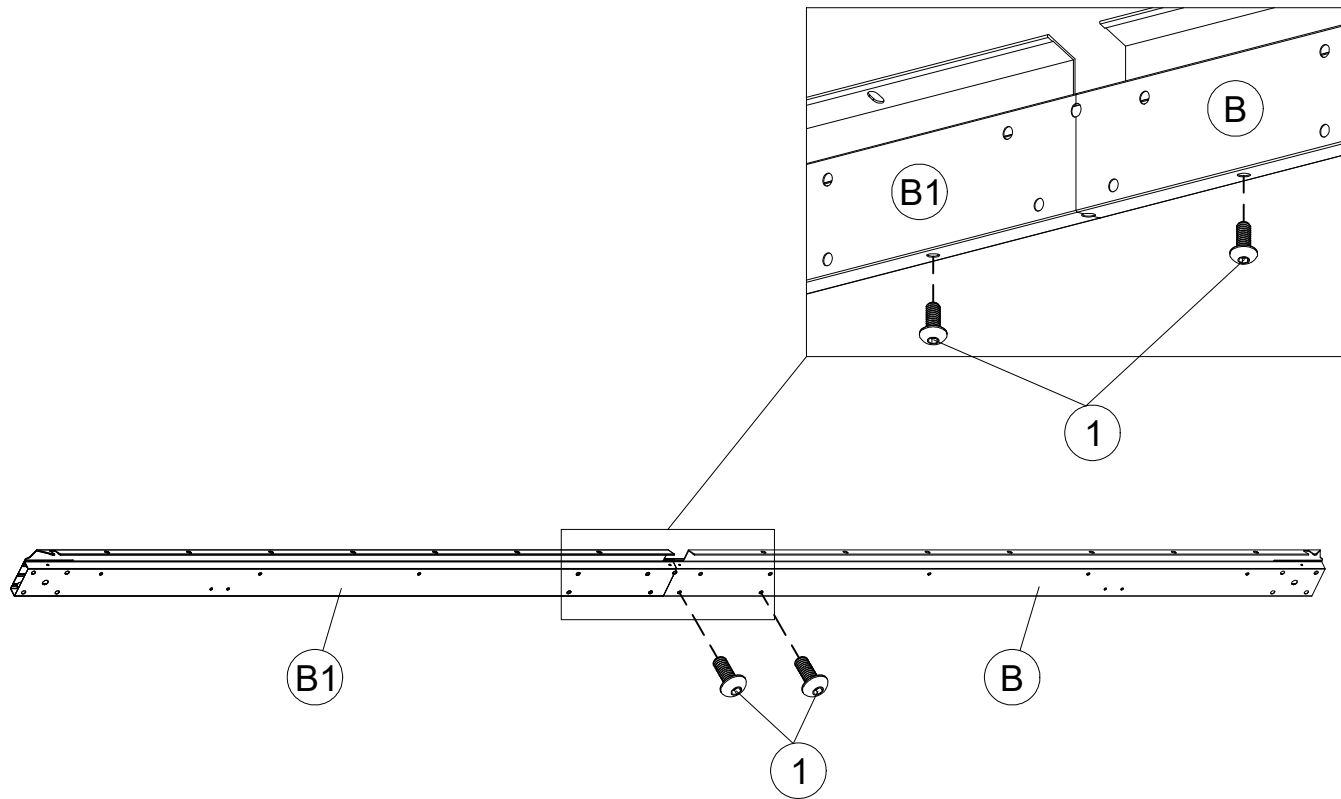
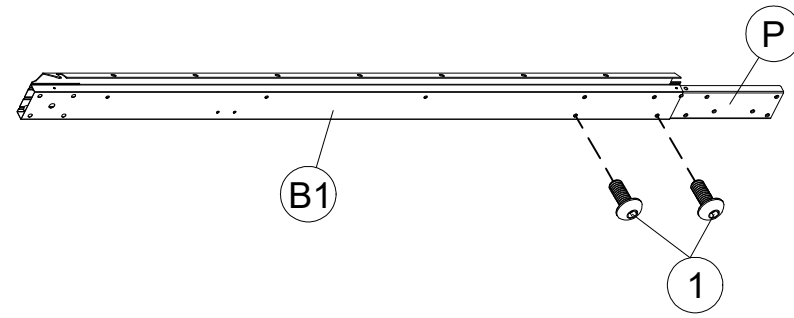
<3>



Tip 1: Use #1 screws to line up the holes in beam B1 and connector P, then connect beam B.

Tip 2: When installing the screws, just hold them roughly in place and then tighten all the screws when you have the entire part connection aligned.

<4>

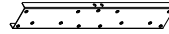




C x2



C1 x2



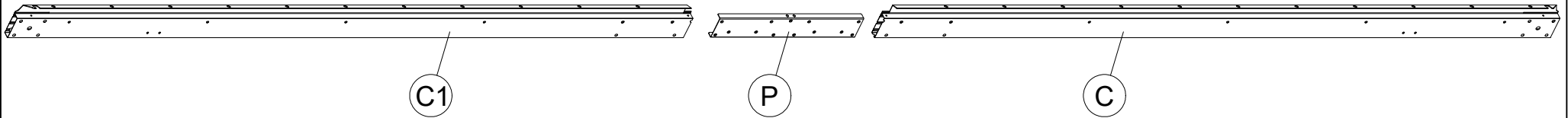
P x2



M6x15

1 x12

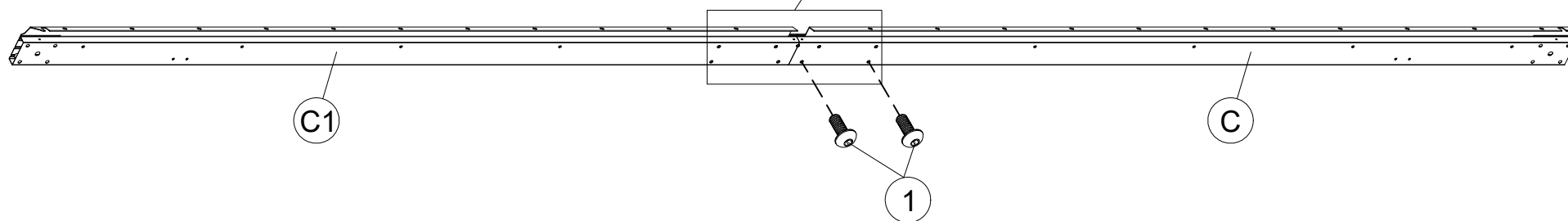
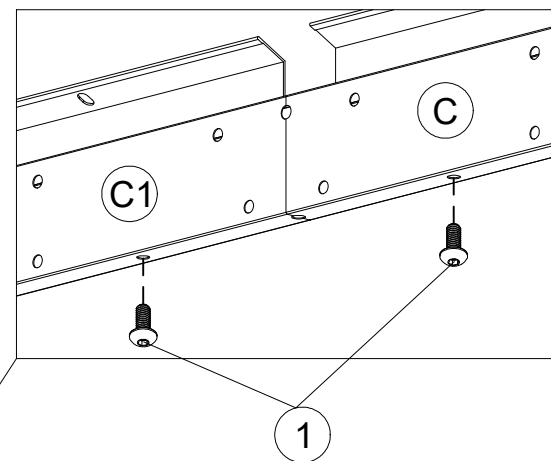
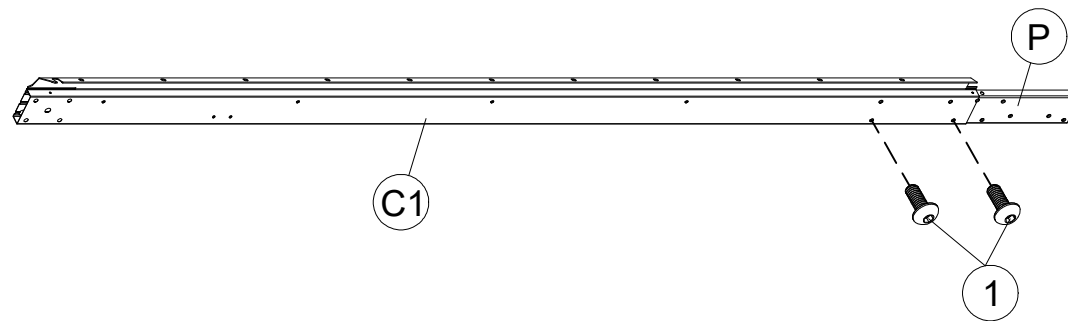
<5>



Tip 1: Use #1 screws to line up the holes in beam C1 and connector P, then connect beam C.

Tip 2: When installing the screws, just hold them roughly in place and then tighten all the screws when you have the entire part connection aligned.

<6>

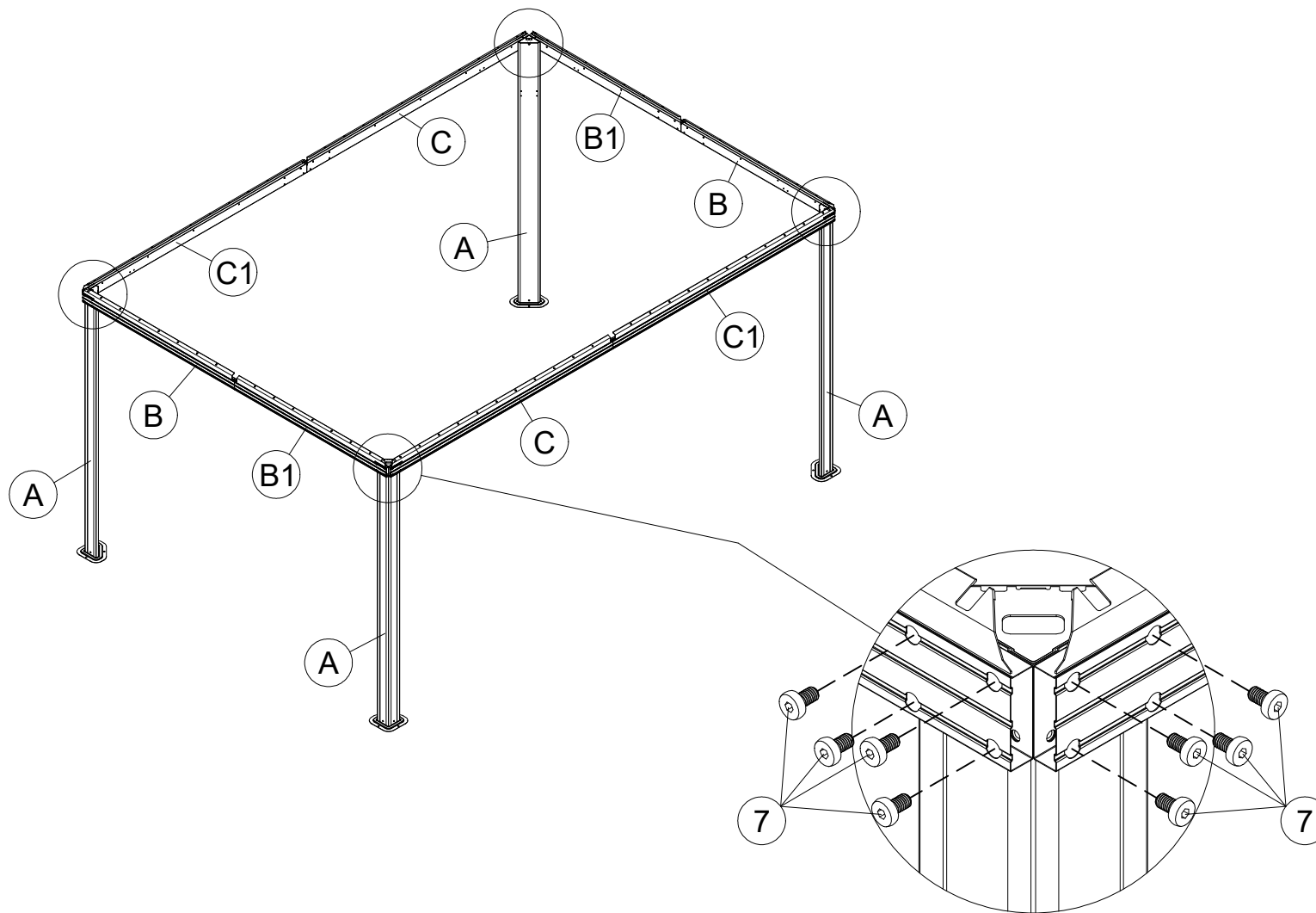


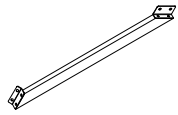


M6x10

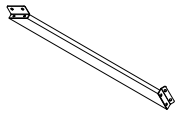
7 x32

<7>





H1 x4



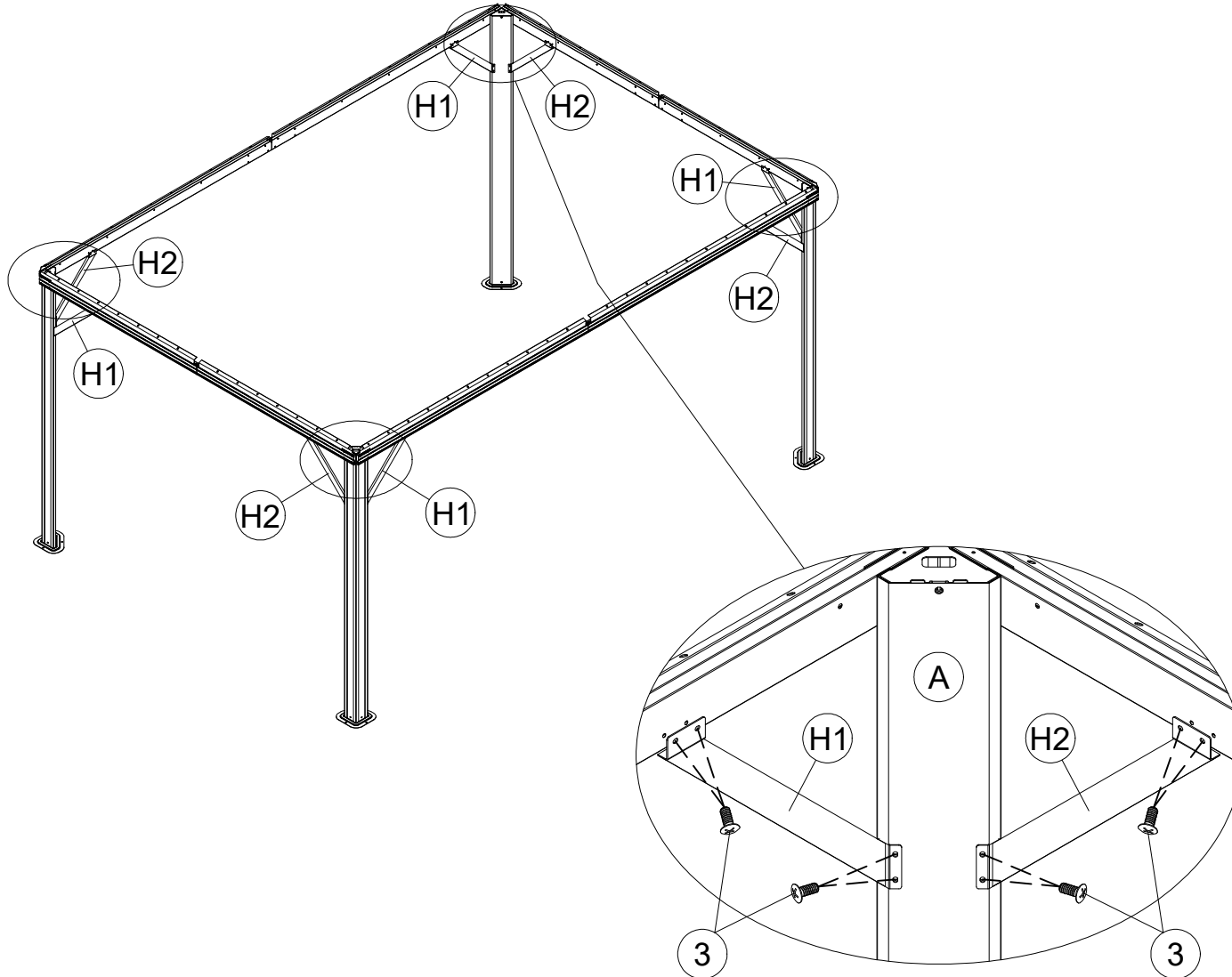
H2 x4

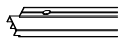


M5x12

3 x32

<8>

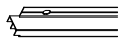




D x2



D1 x2



D2 x2



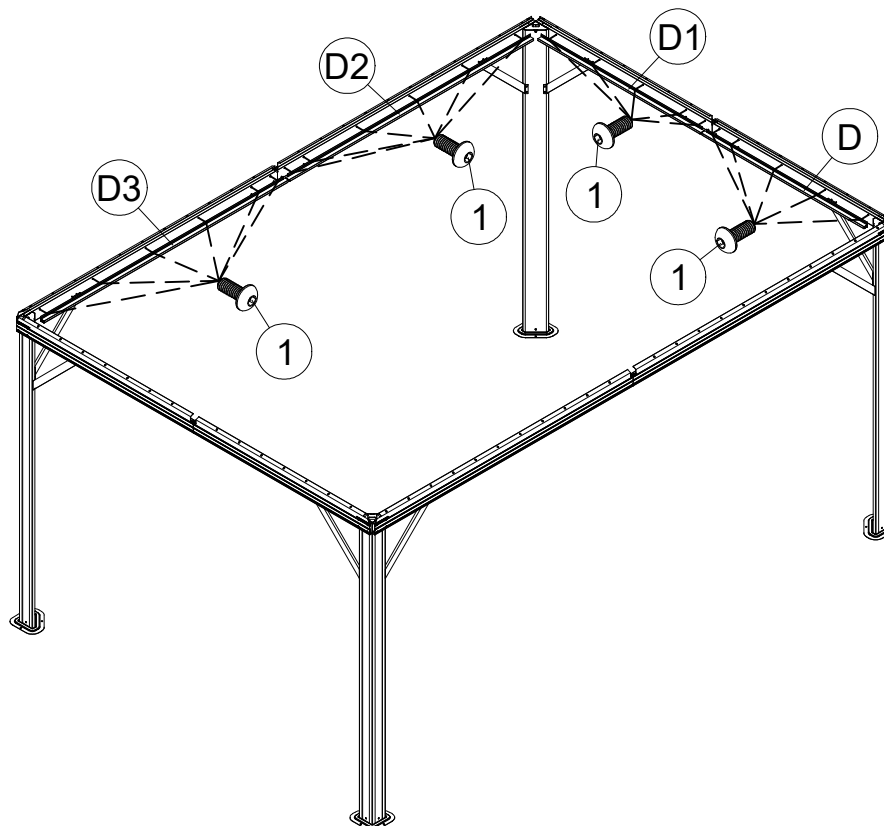
D3 x2

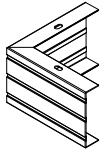


M6x15

1 x44

<9>





(K) x4



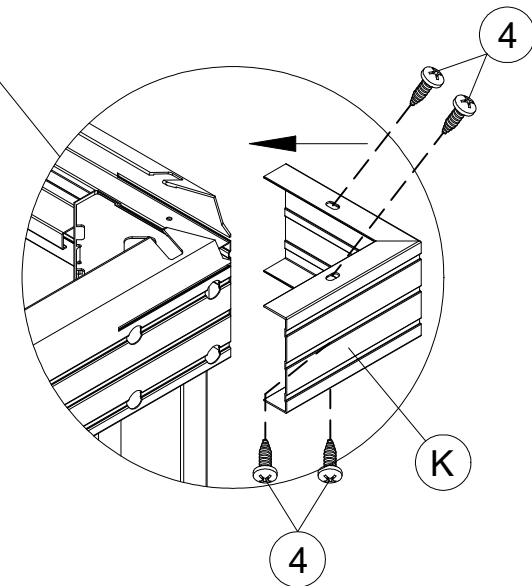
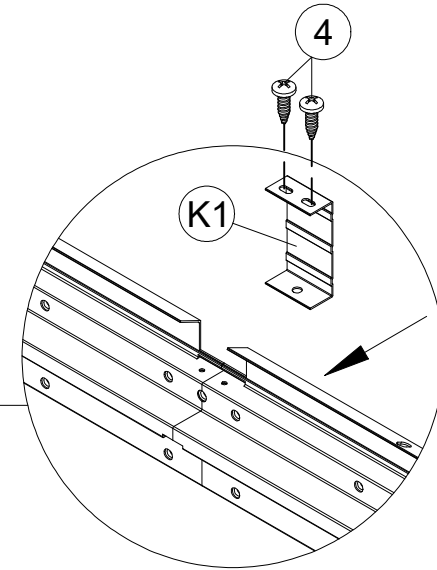
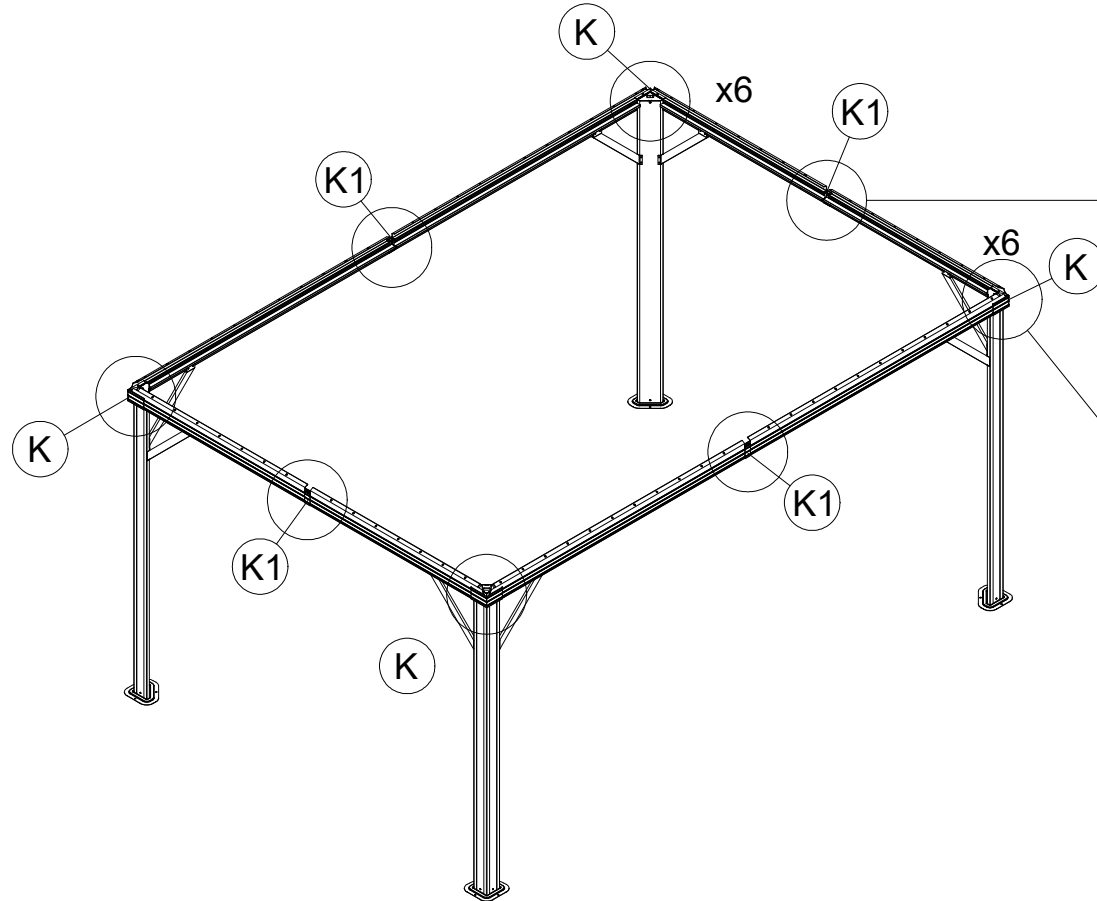
(K1) x4

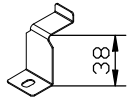


ST4.8x12

(4) x24

<10>





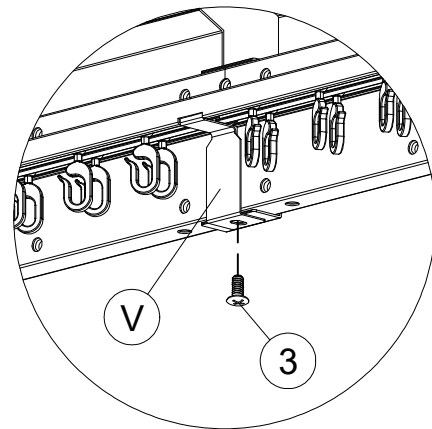
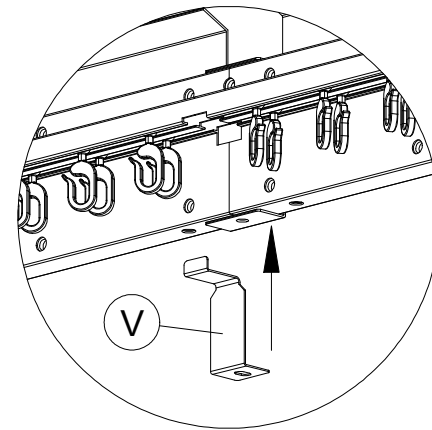
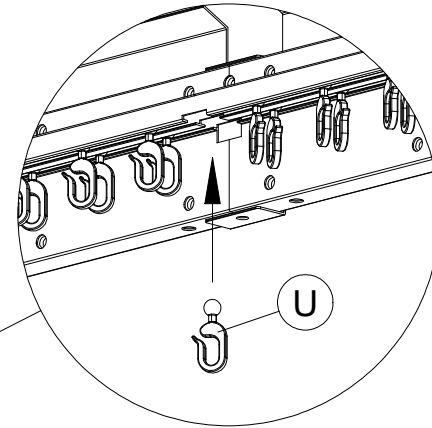
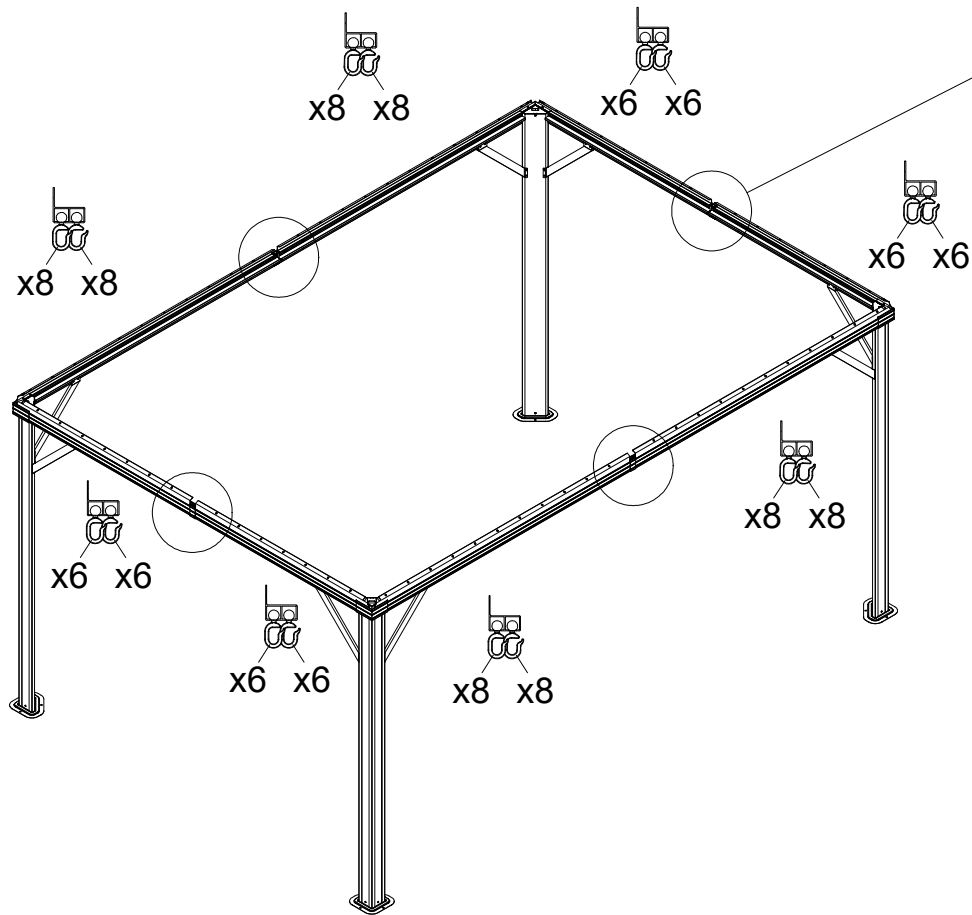
M5x12

U x112

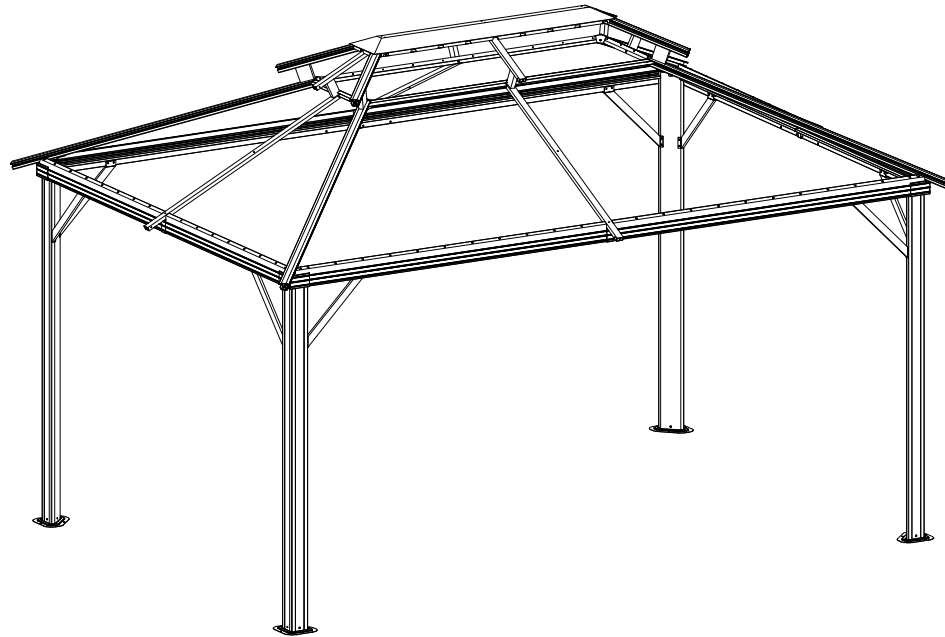
V x4

3 x4

<11>



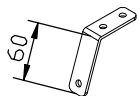
STEP 2



Tips: When installing the screws, don't tighten them all the way first, just roughly hold them in place, and when you're sure that all the parts are installed, then you can tighten the screws to secure the frame.



E x4



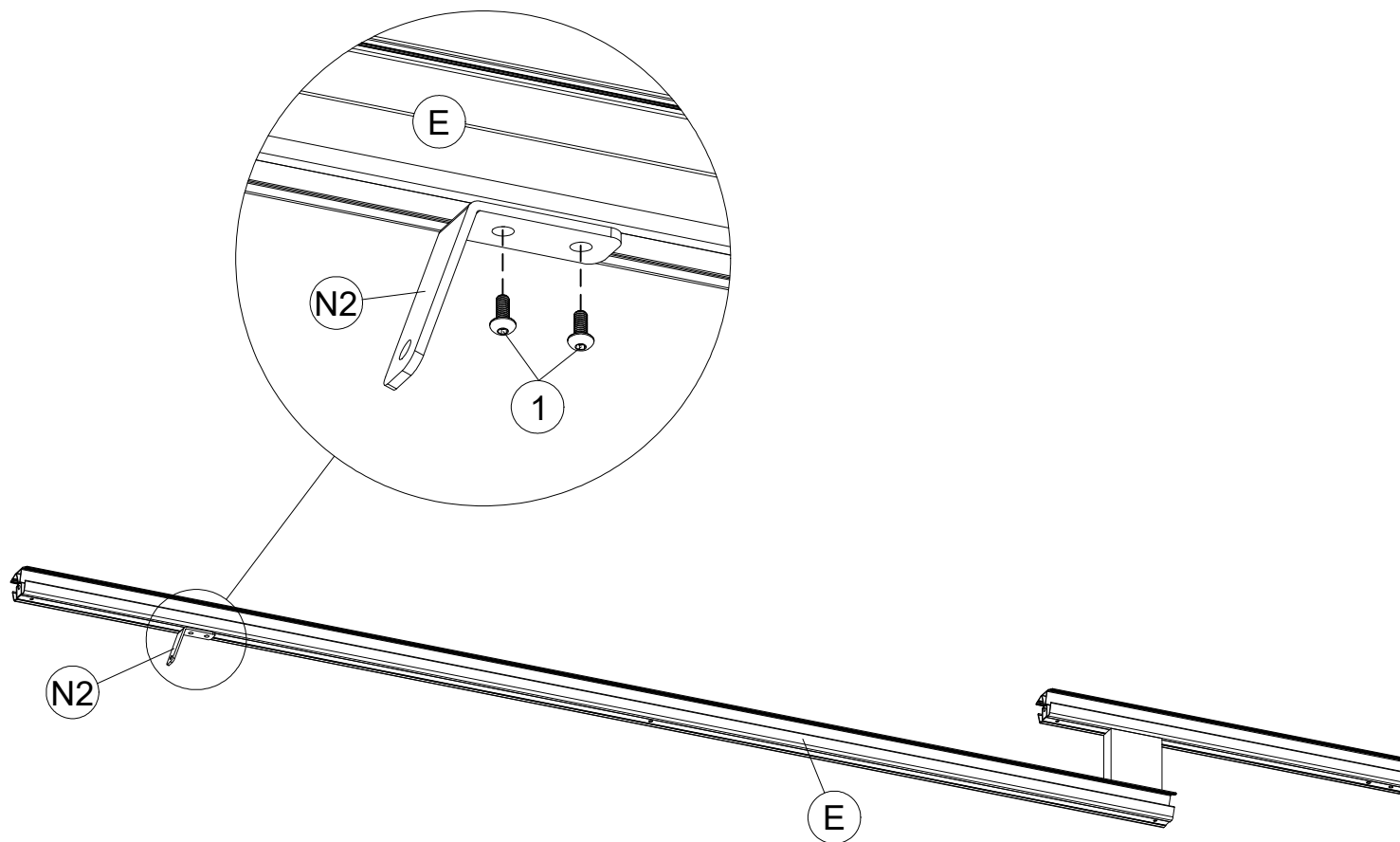
N2 x4



M6x15

1 x8

<12>

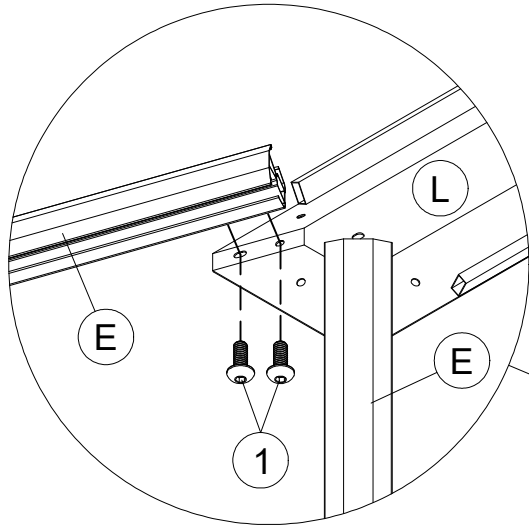




M6x15

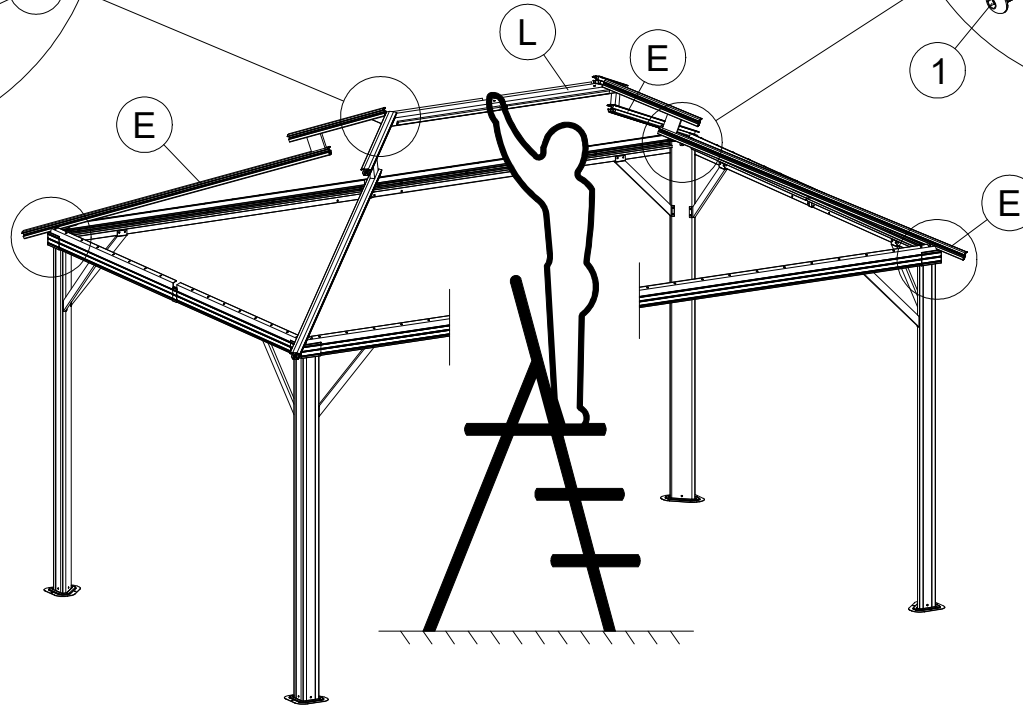
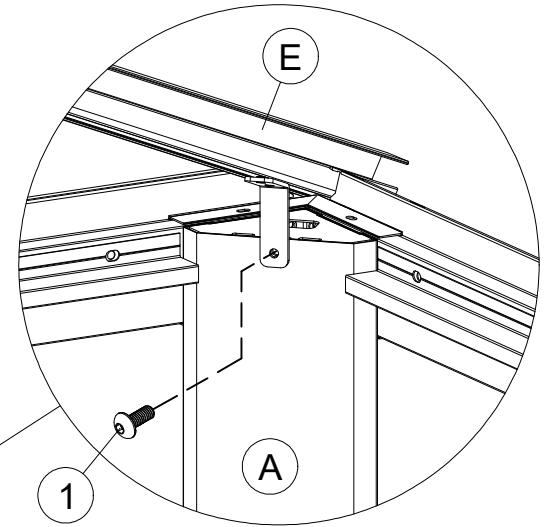
1 x12

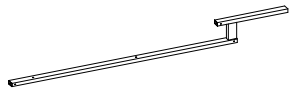
<13>



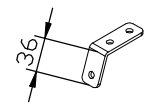
Note:

1. Let one person stand on the ladder to lift " L " and hold, and let others fasten the screws connecting both ends of " E " .
2. Please do not let go of holding " L " until all the " E " screws are installed.





E1 x4

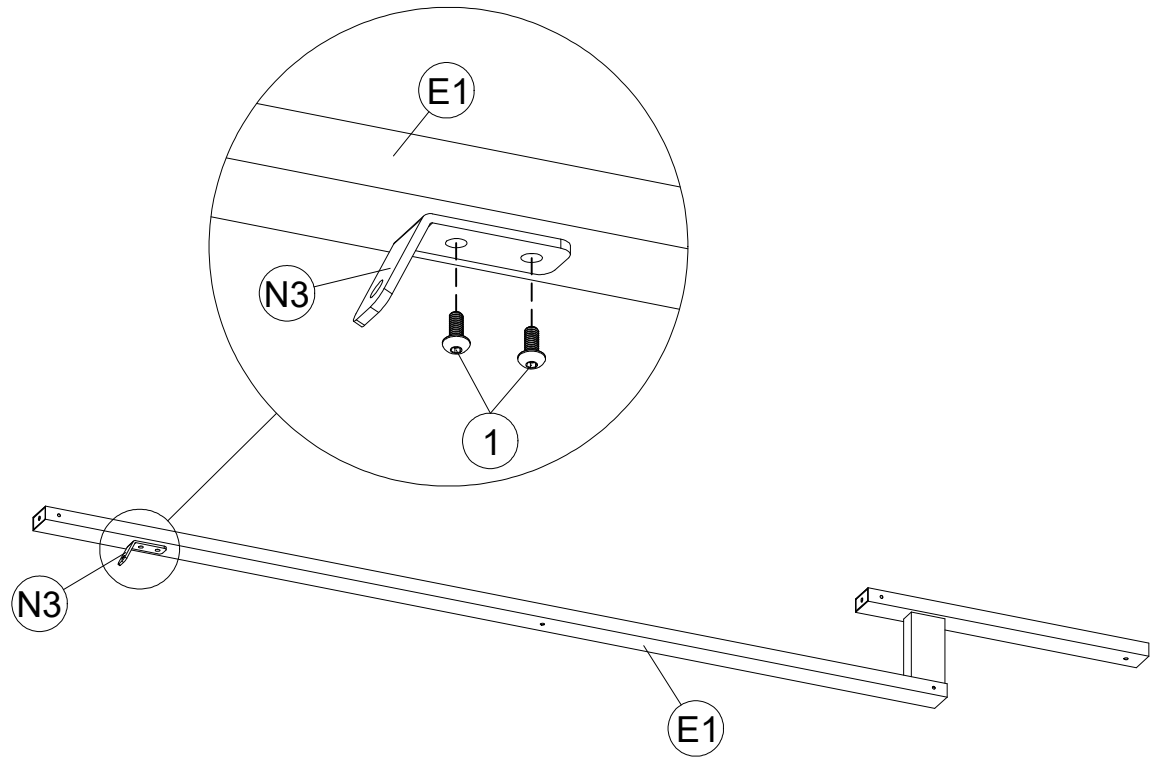


N3 x4



1 x8 M6x15

<14>

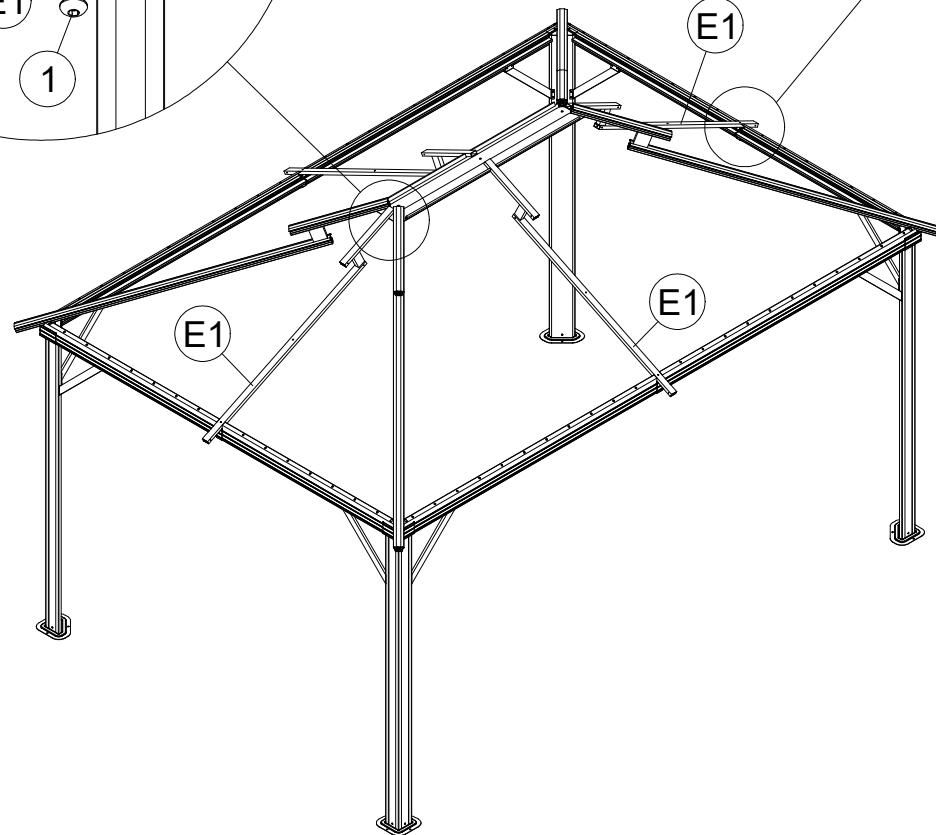
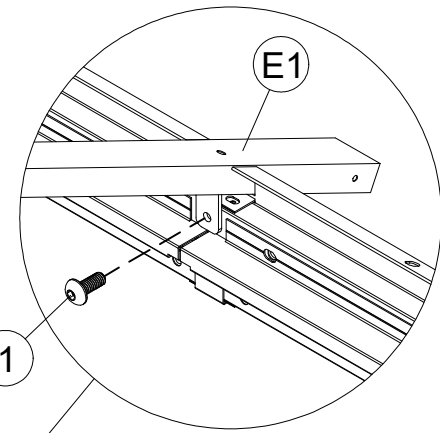
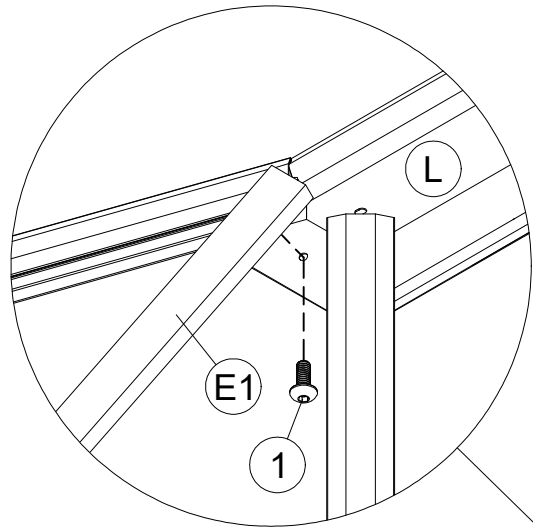




M6x15

1 x8

<15>





M x1



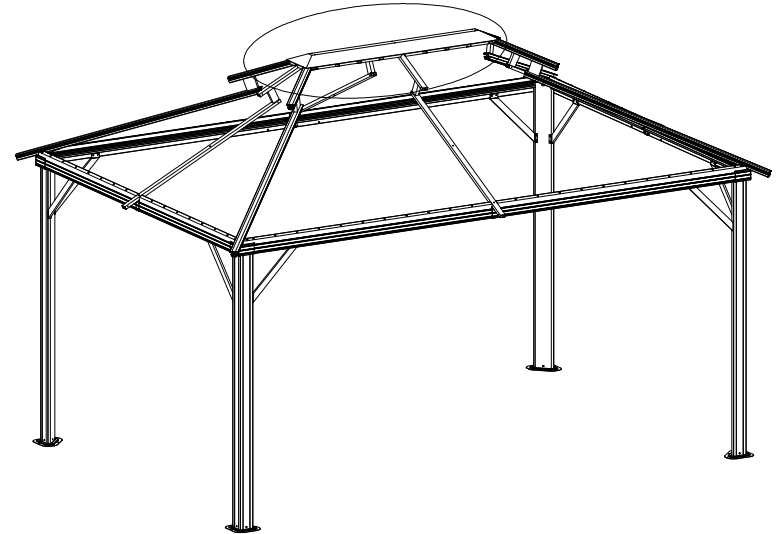
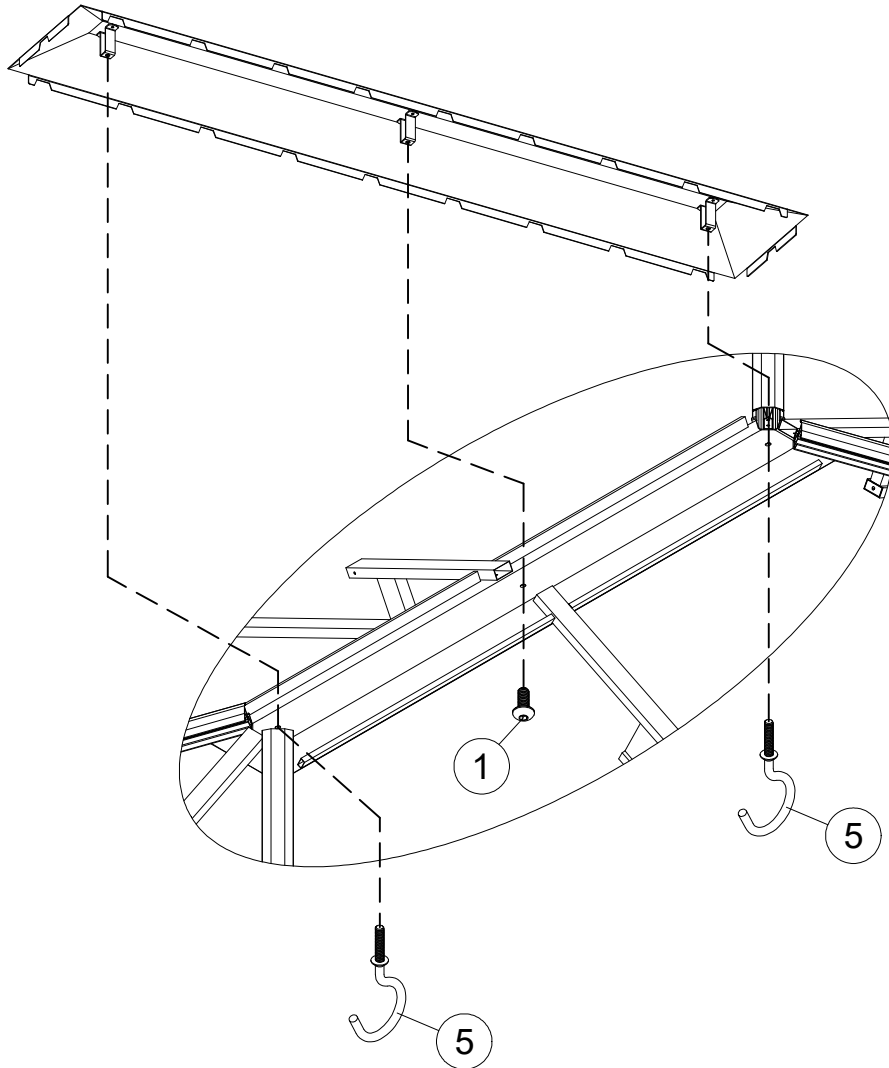
M6x15



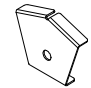

1 x1



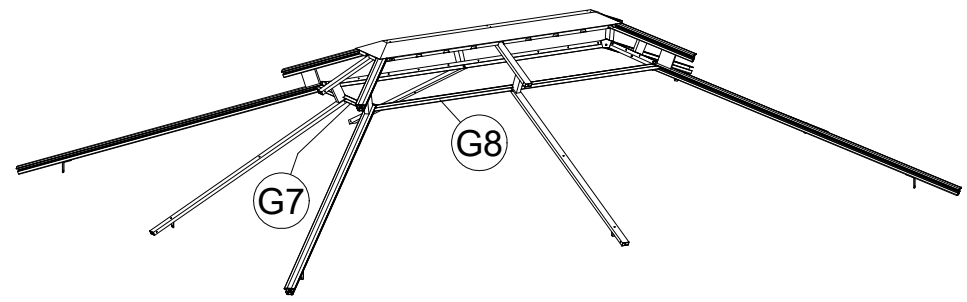
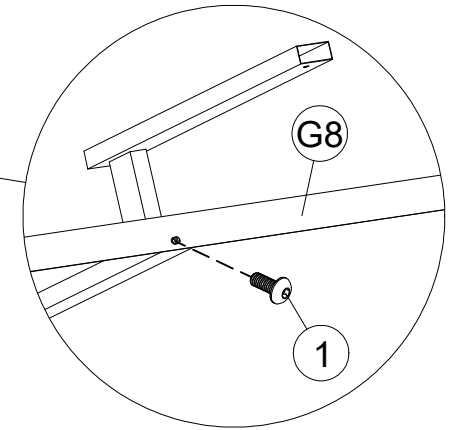
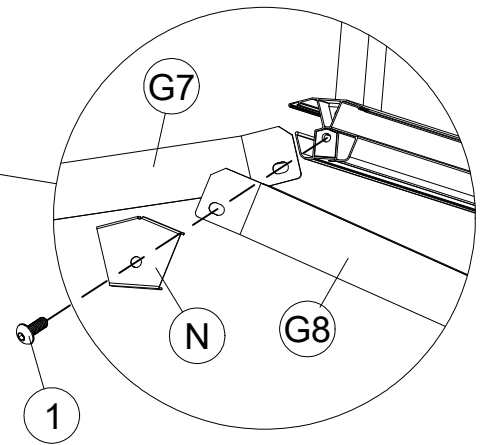
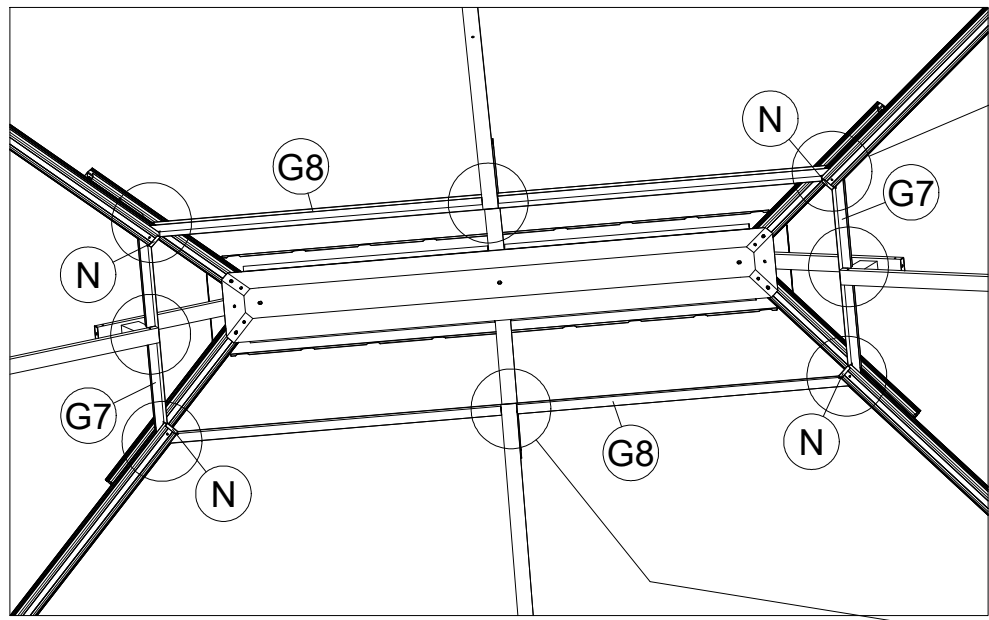
5 x2

<16>

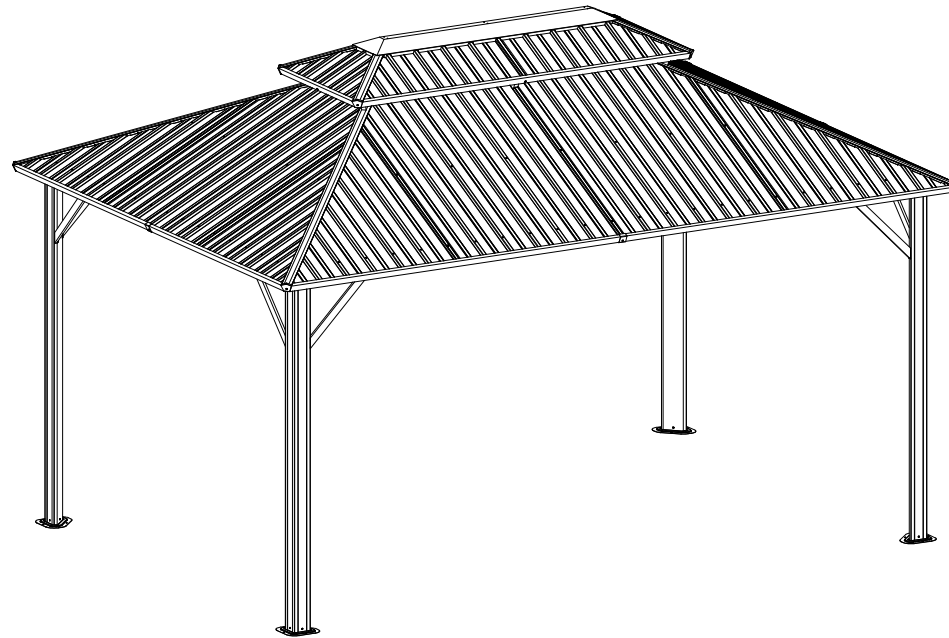


 G7 x2	 G8 x2	 N x4	 1 x8 M6x15
---	--	--	---

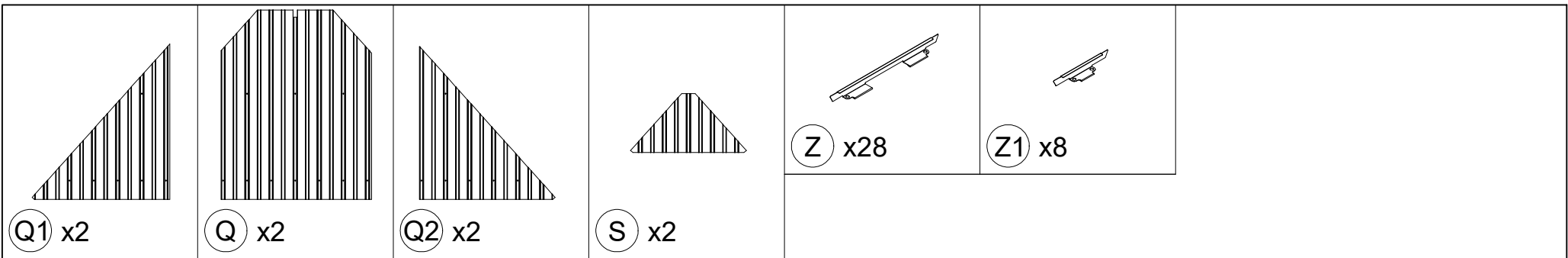
<17>



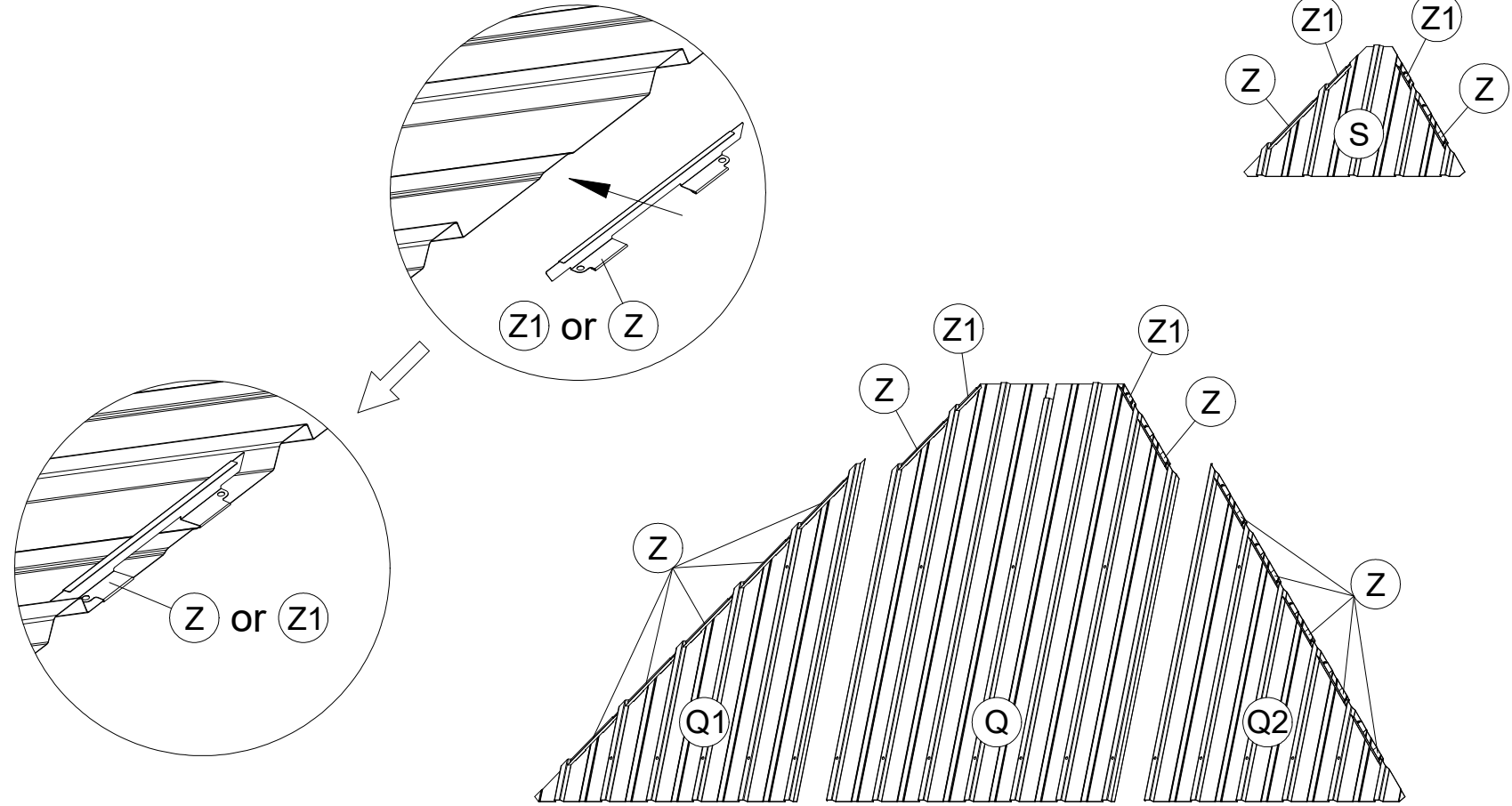
STEP 3

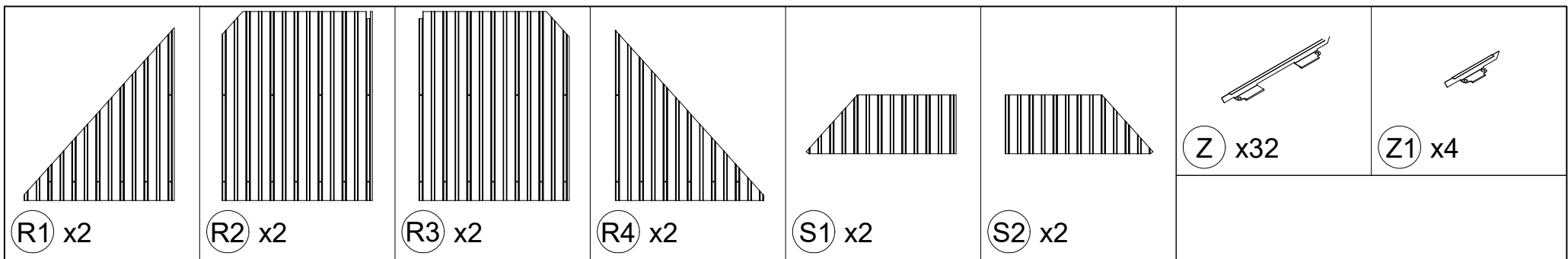


Tips: When installing the screws, don't tighten them all the way first, just roughly hold them in place, and when you're sure that all the parts are installed, then you can tighten the screws to secure the frame.

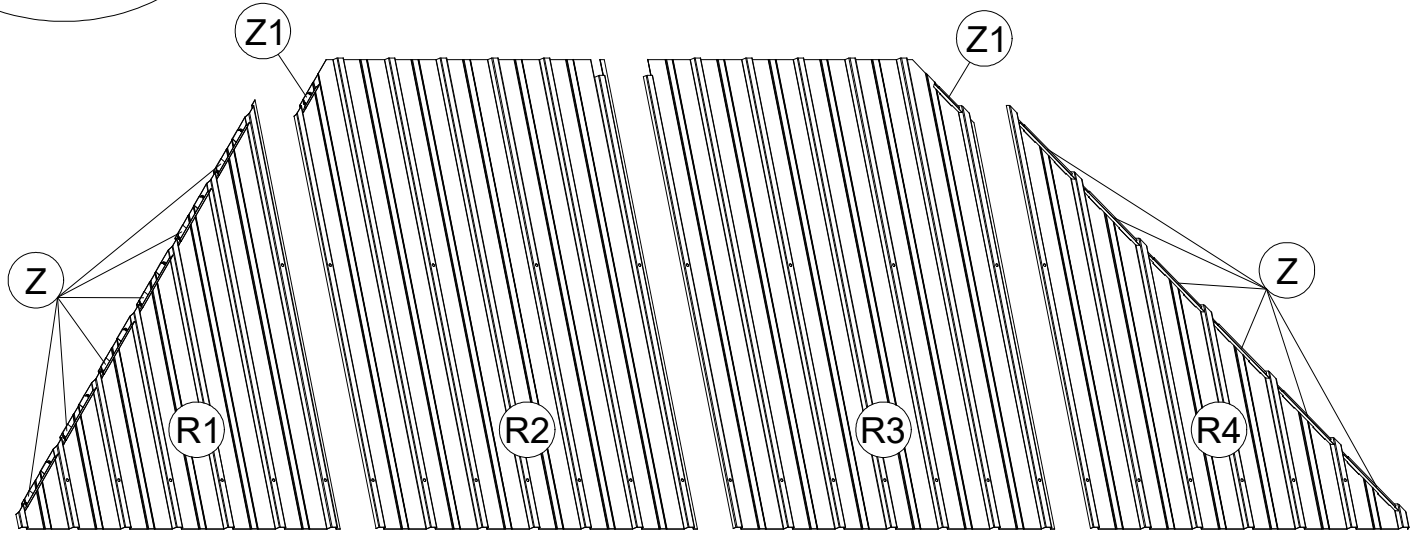
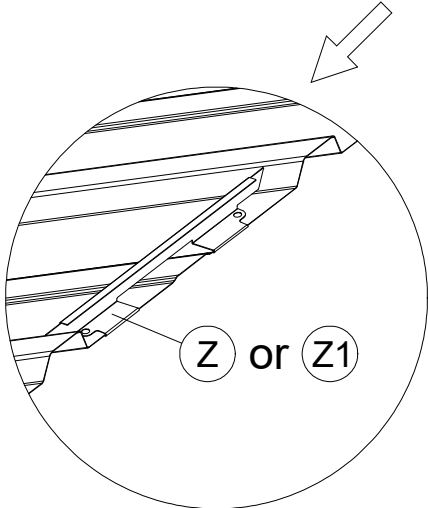
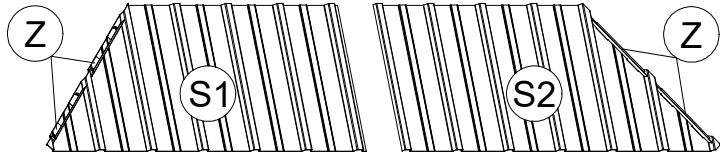
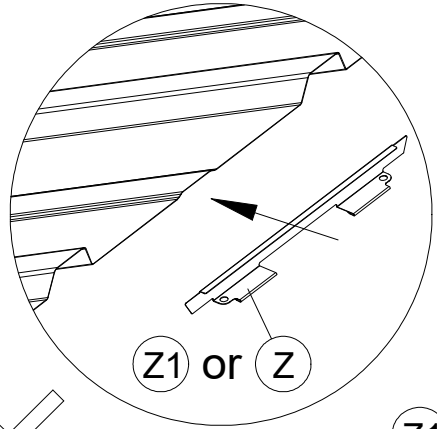


<18>

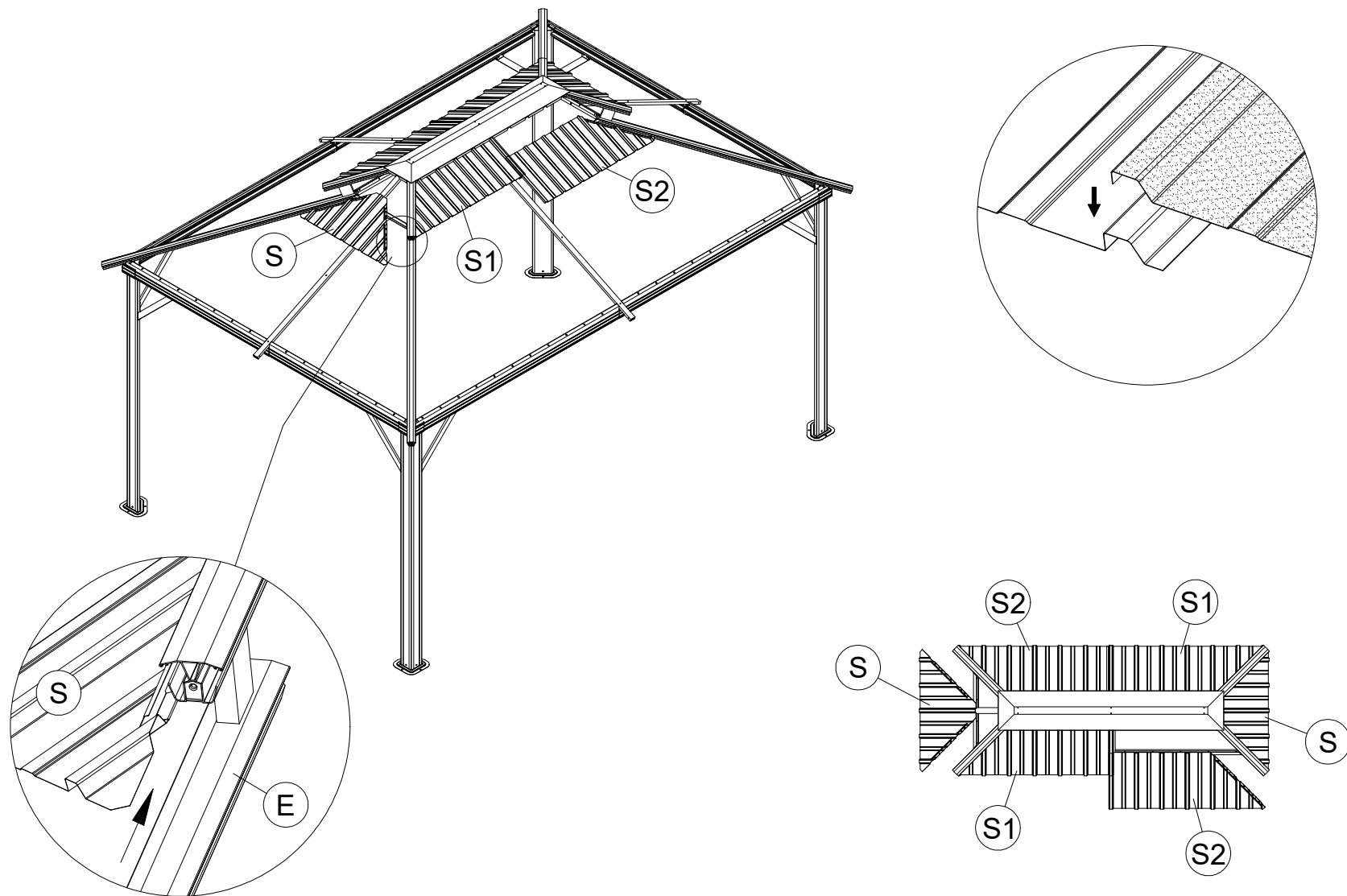


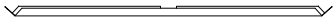


<19>



<20>





G5 x2



G6 x2



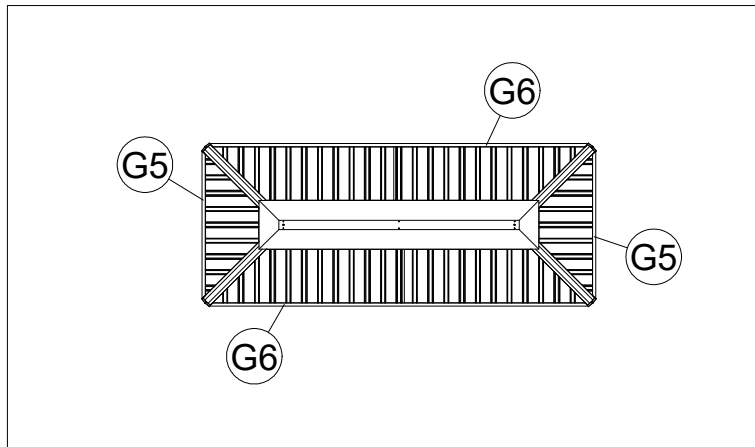
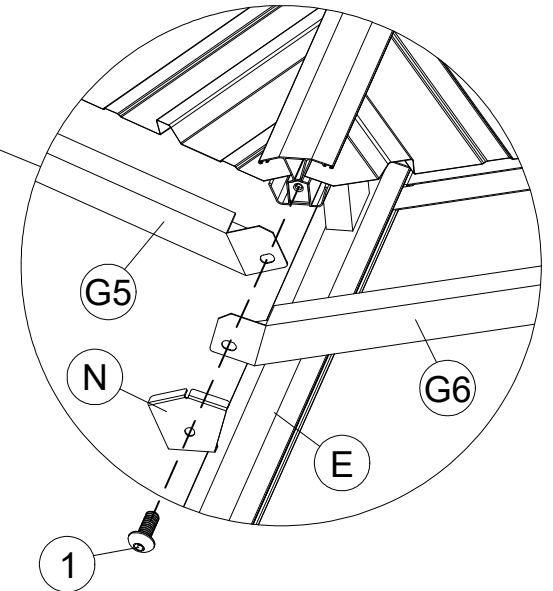
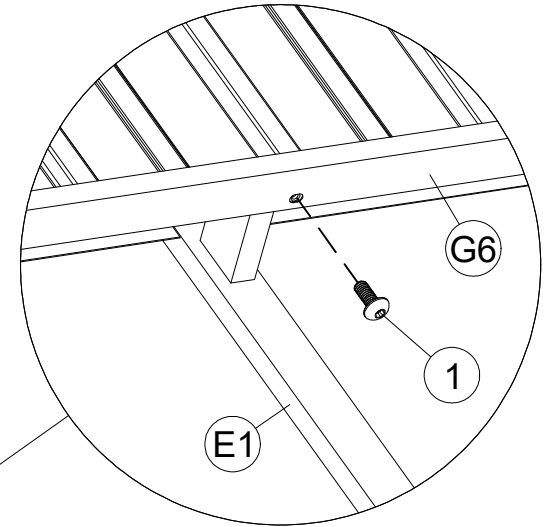
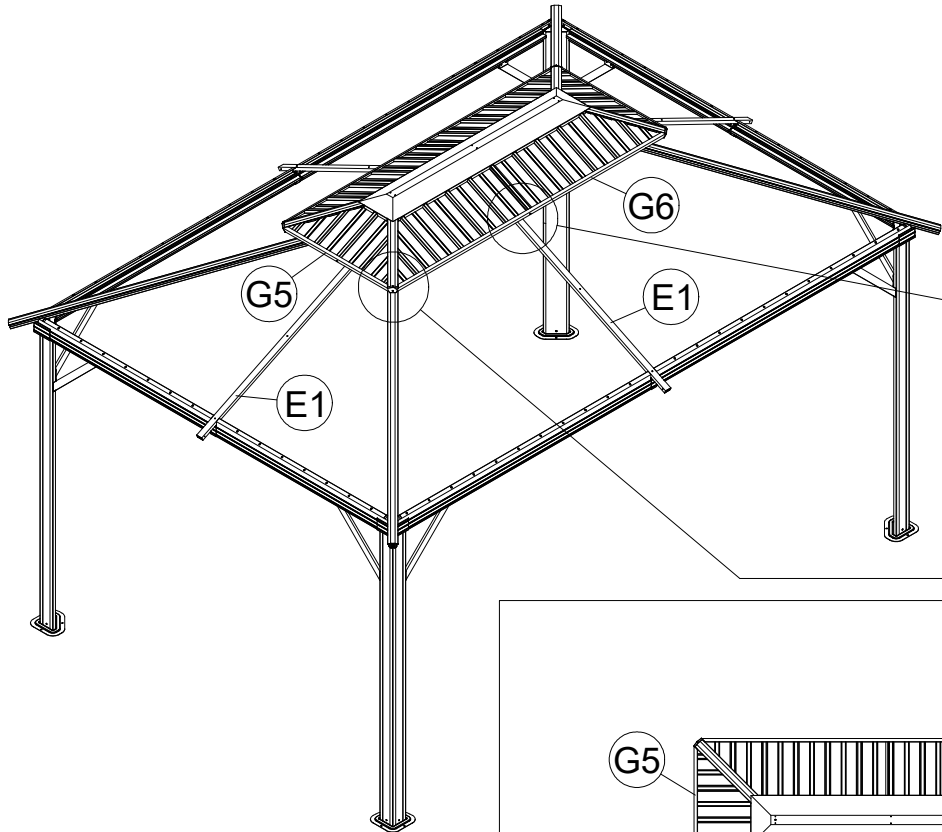
N x4



M6x15

1 x8

<21>



F1 x2



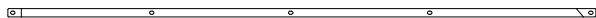
F2 x2



F3 x2



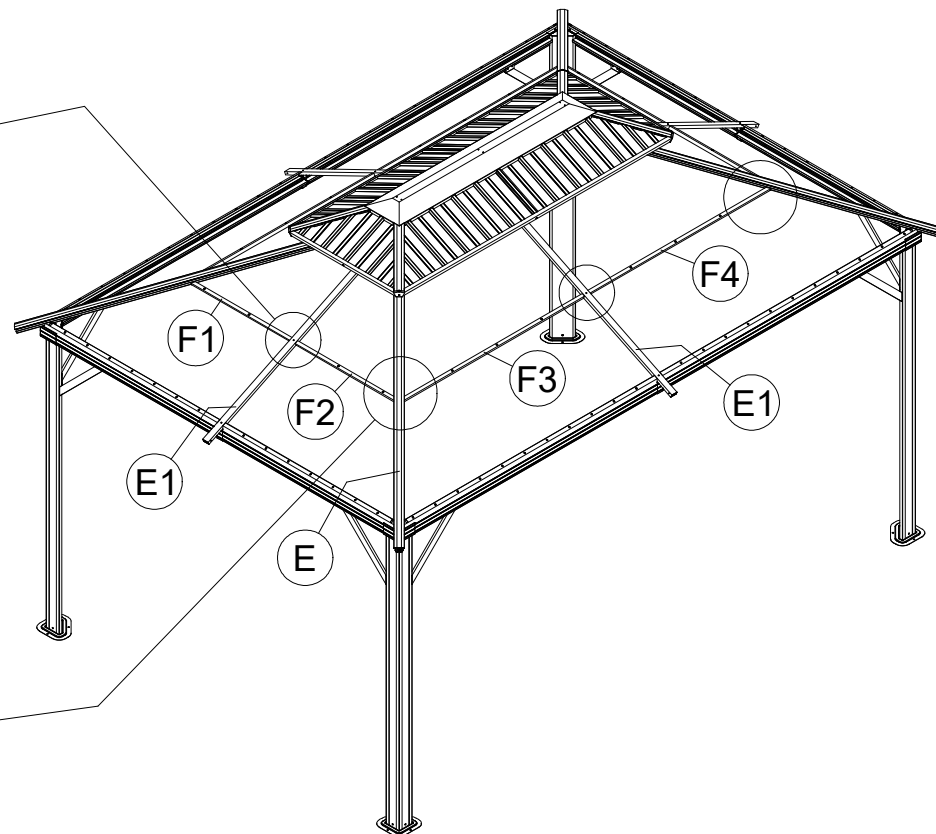
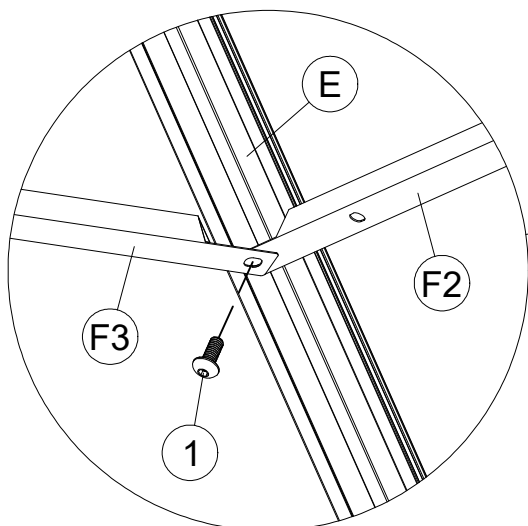
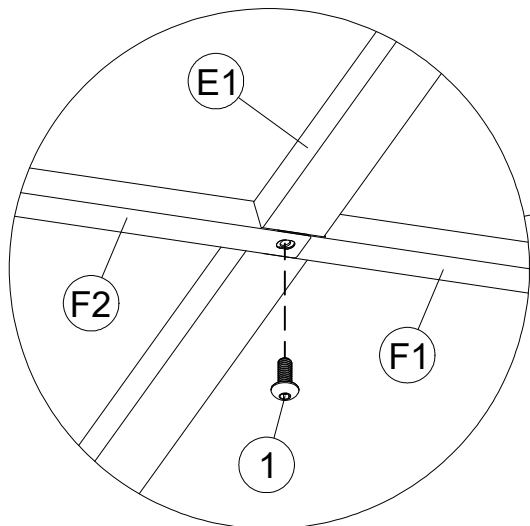
F4 x2



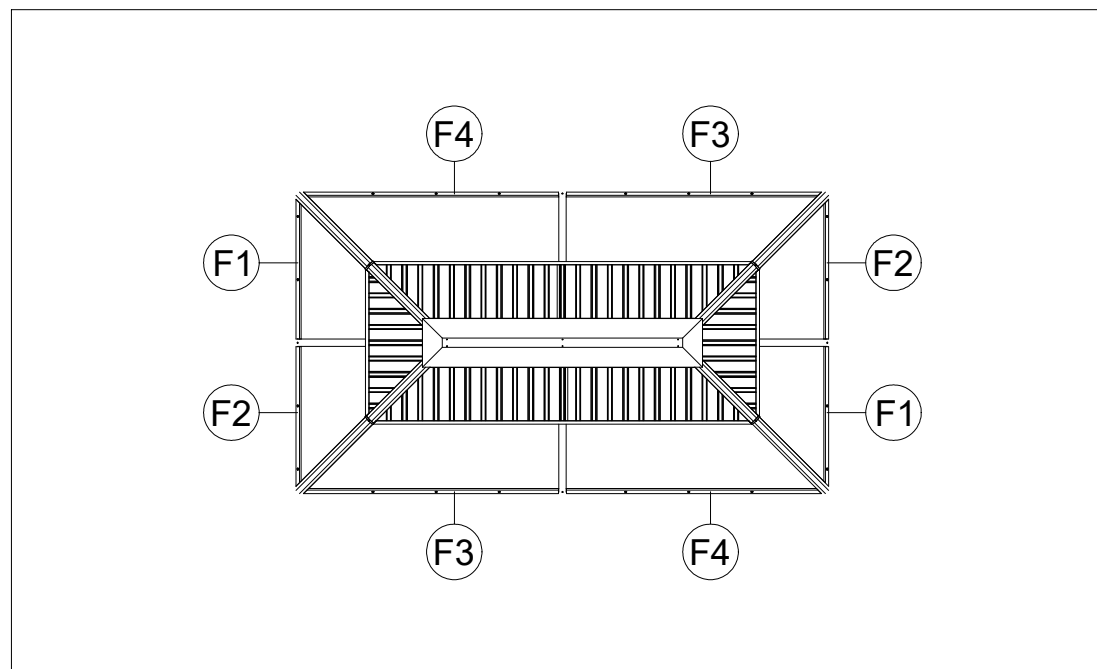
M6x15

1 x8

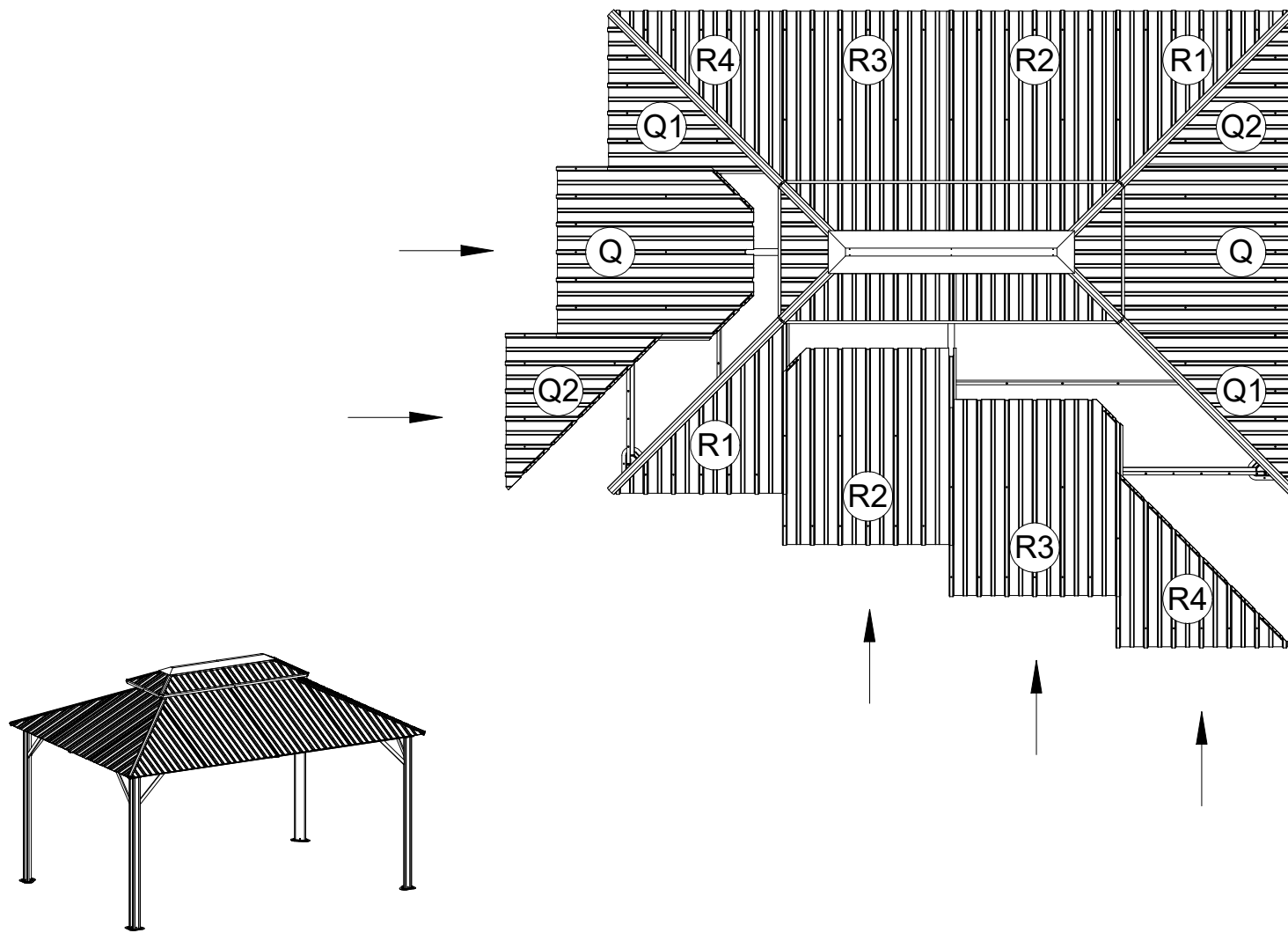
<22>



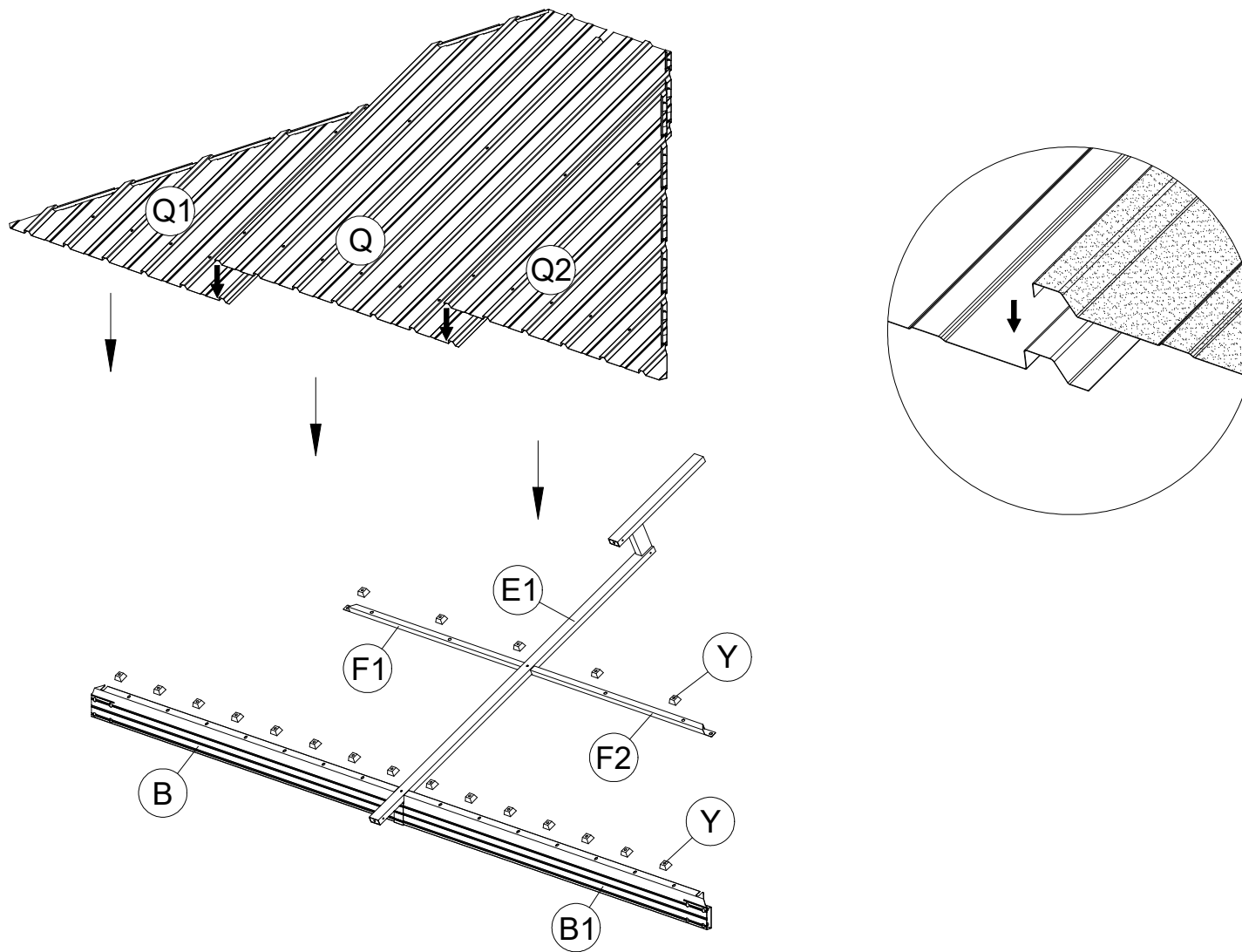
<23>



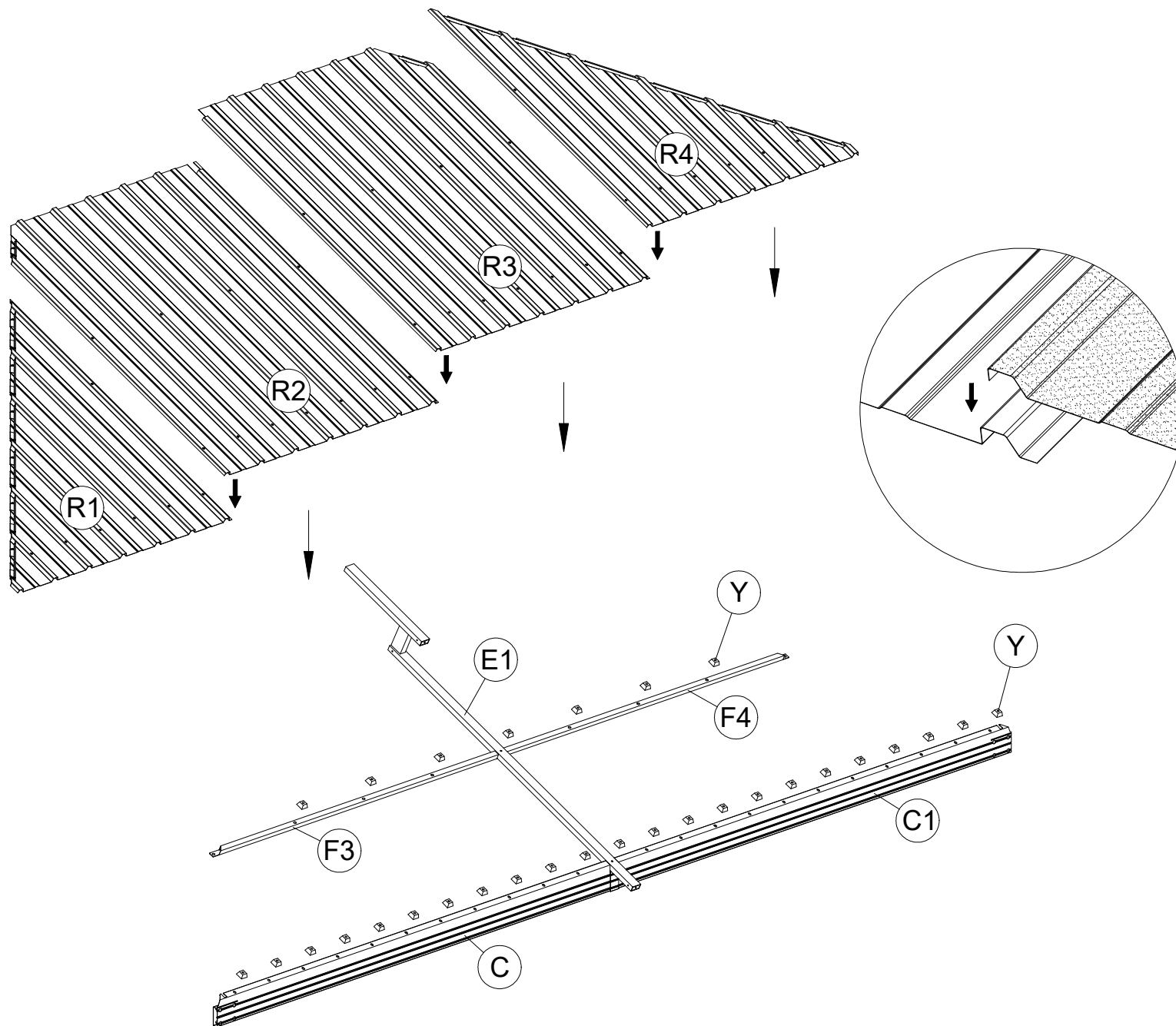
<24>



<25>



<26>





8x



72x



M6x42

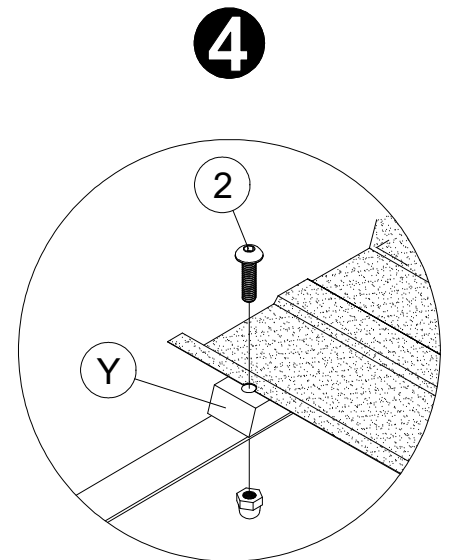
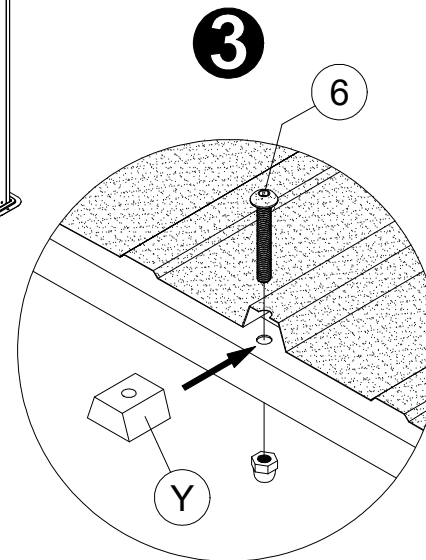
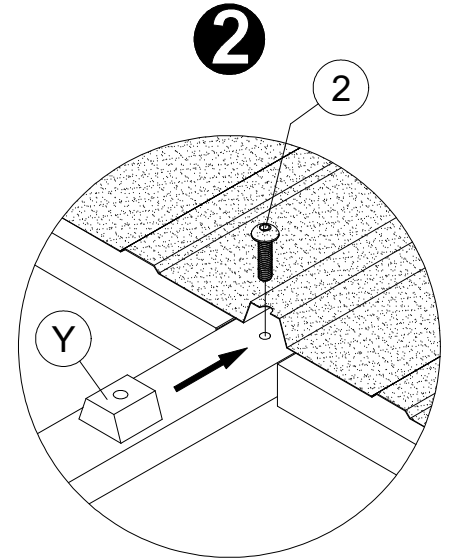
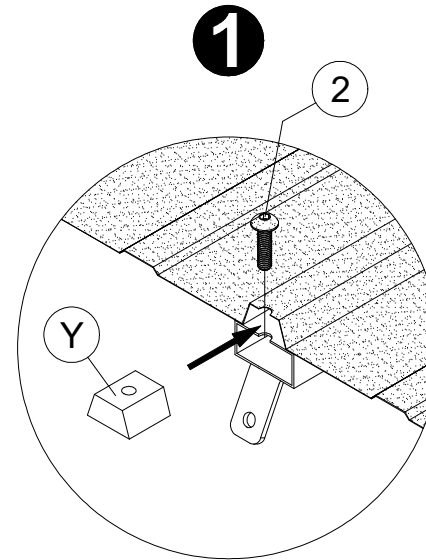
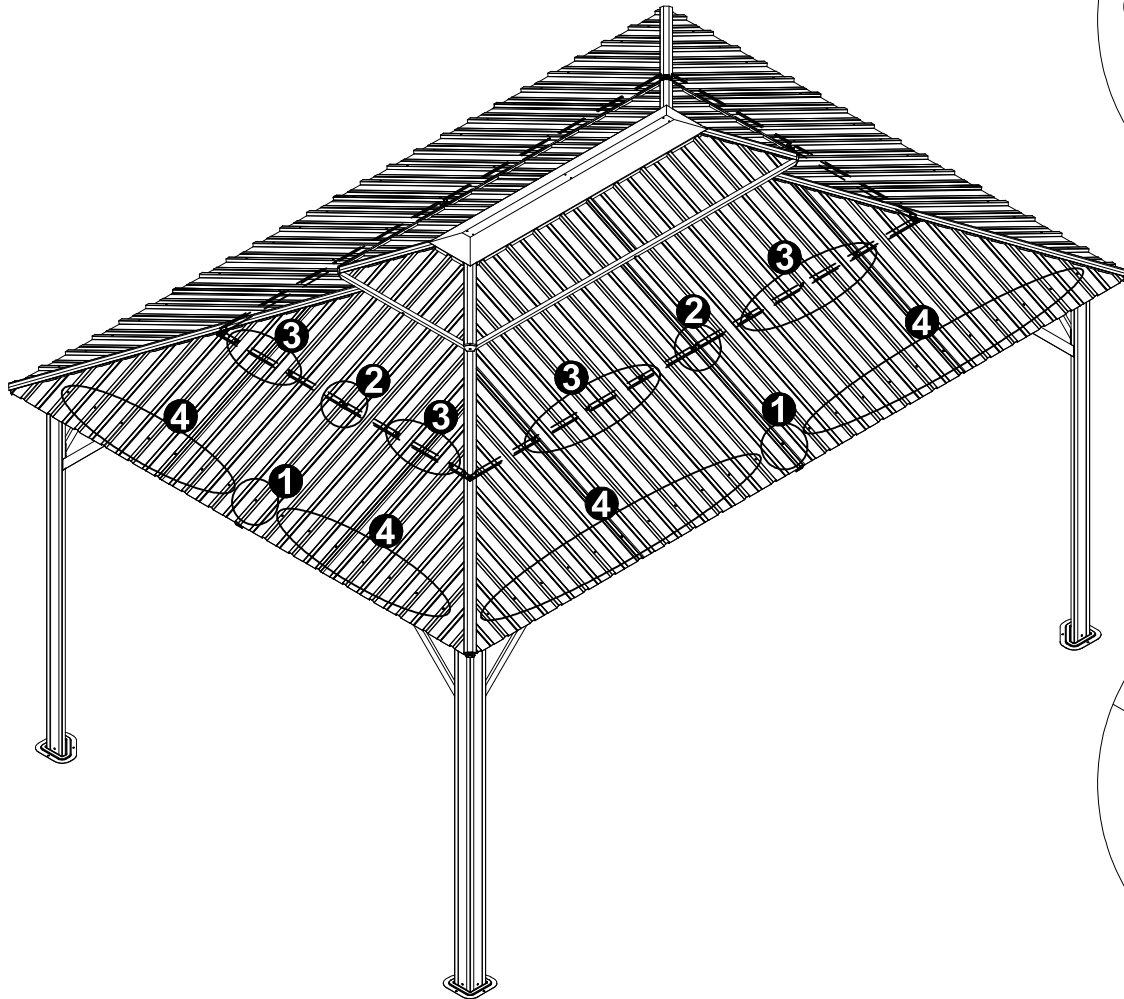
M6x23

Y x100

2 x8+x72

6 x20

<27>



G1 x2

G2 x2

G3 x2

G4 x2



N x4



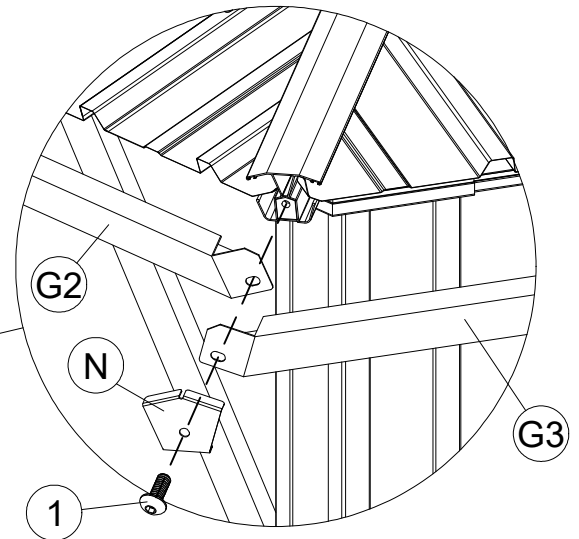
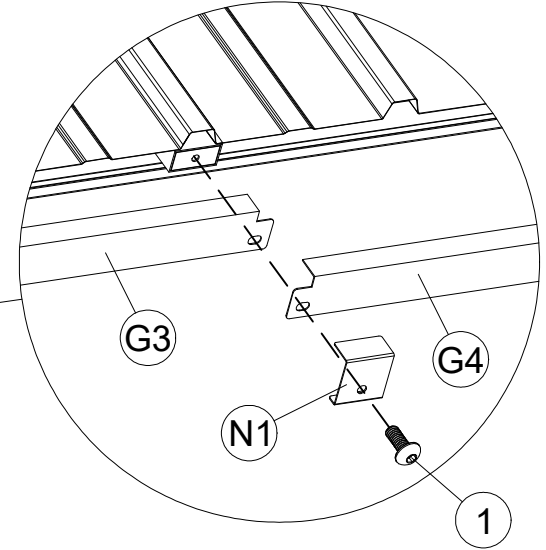
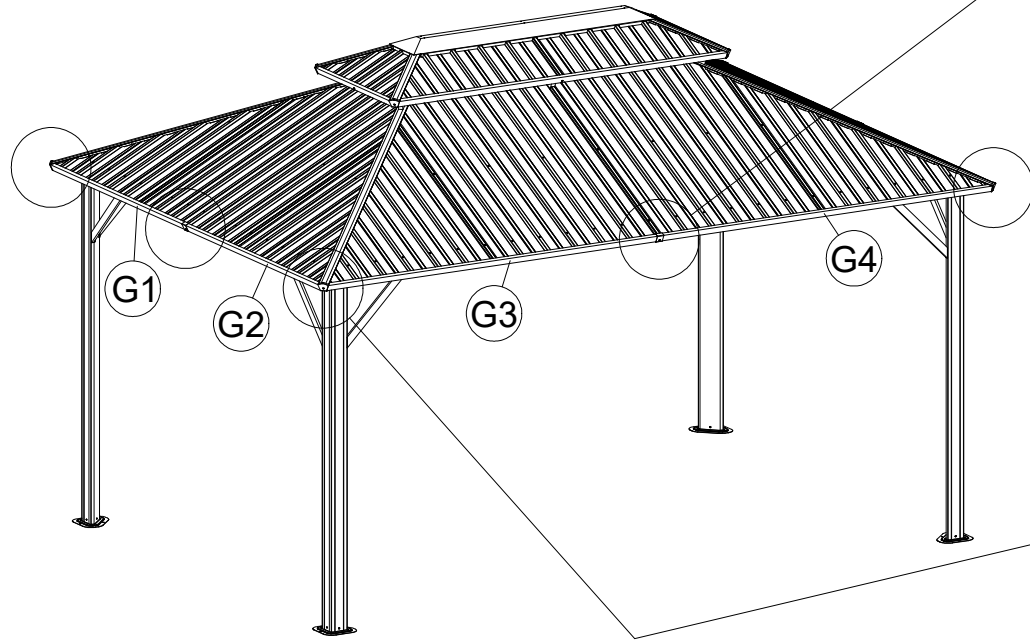
N1 x4



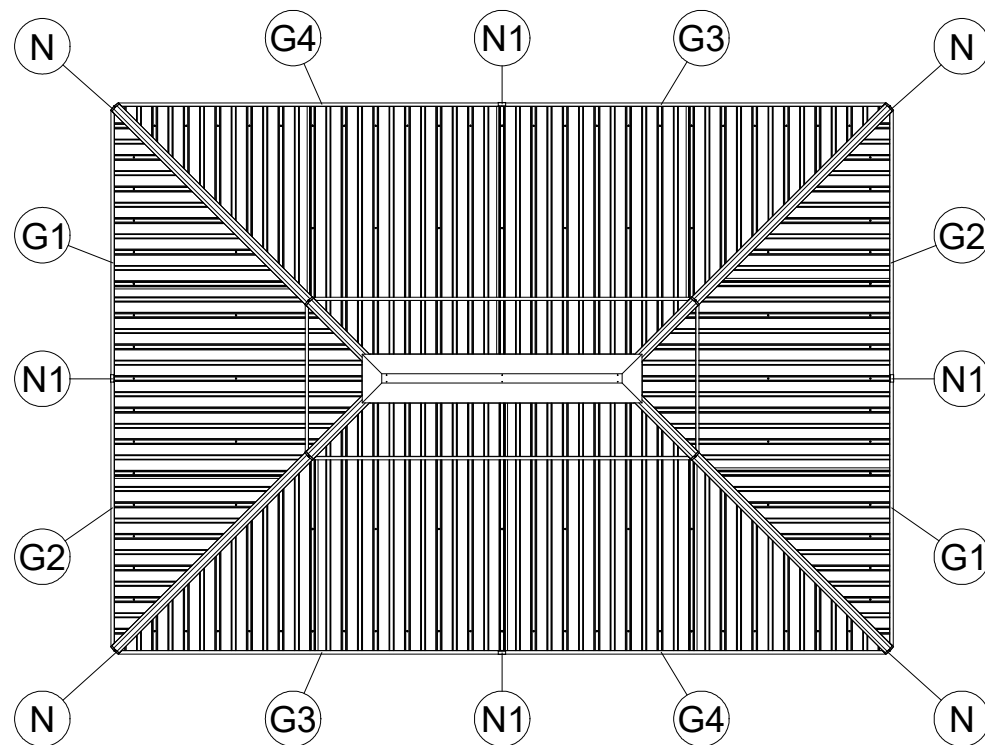
1 x8

M6x15

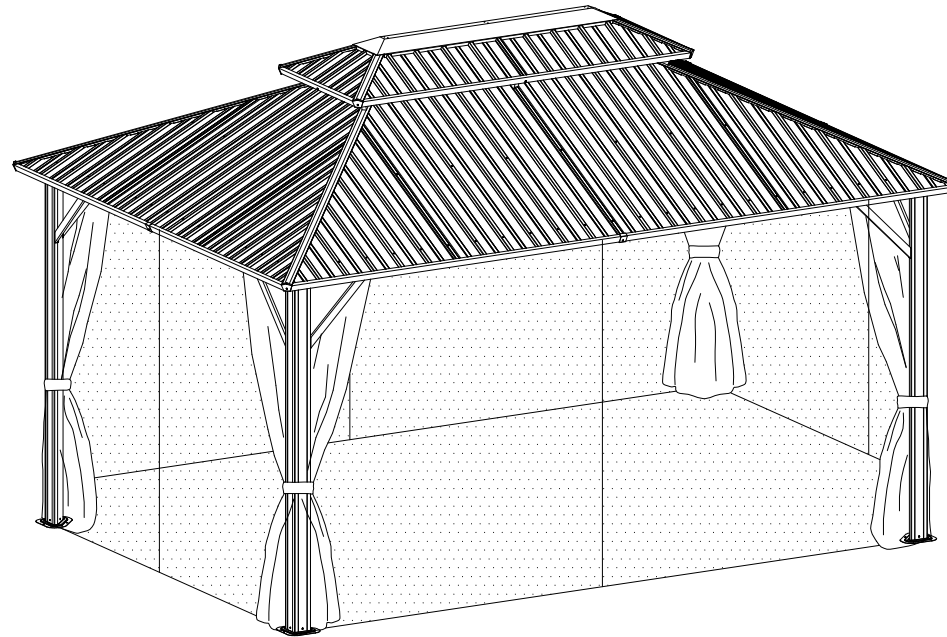
<28>



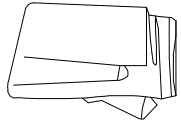
<29>



STEP 4

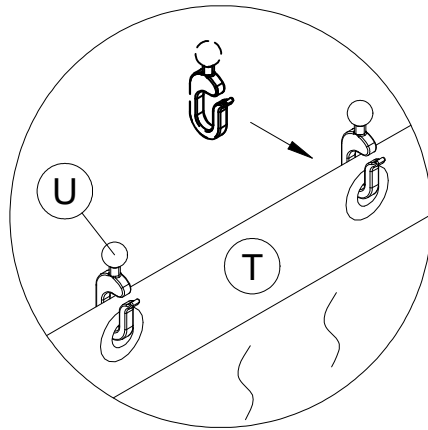
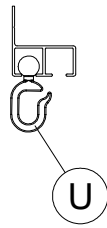


Tip: Be sure to hang the nettings on the inside track and the privacy curtains on the outside track

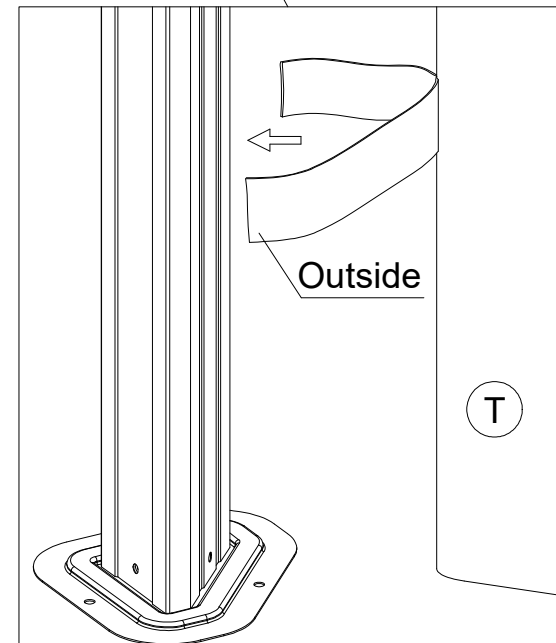
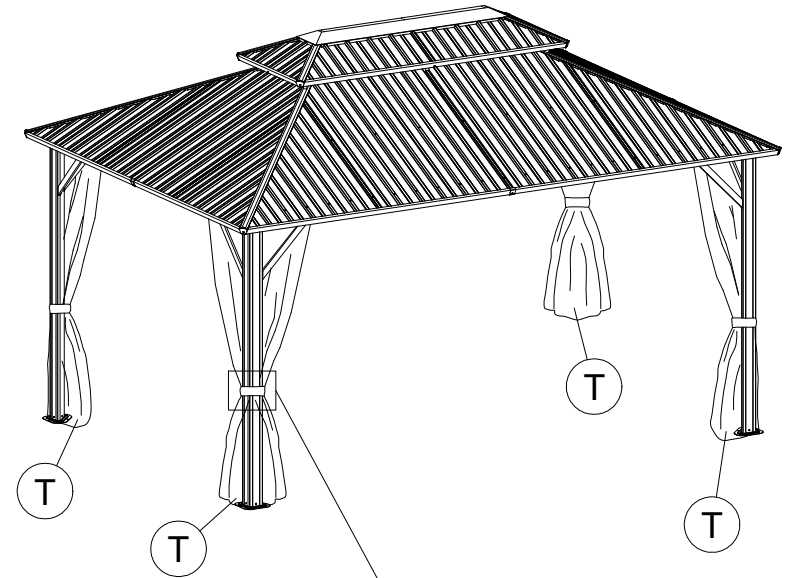
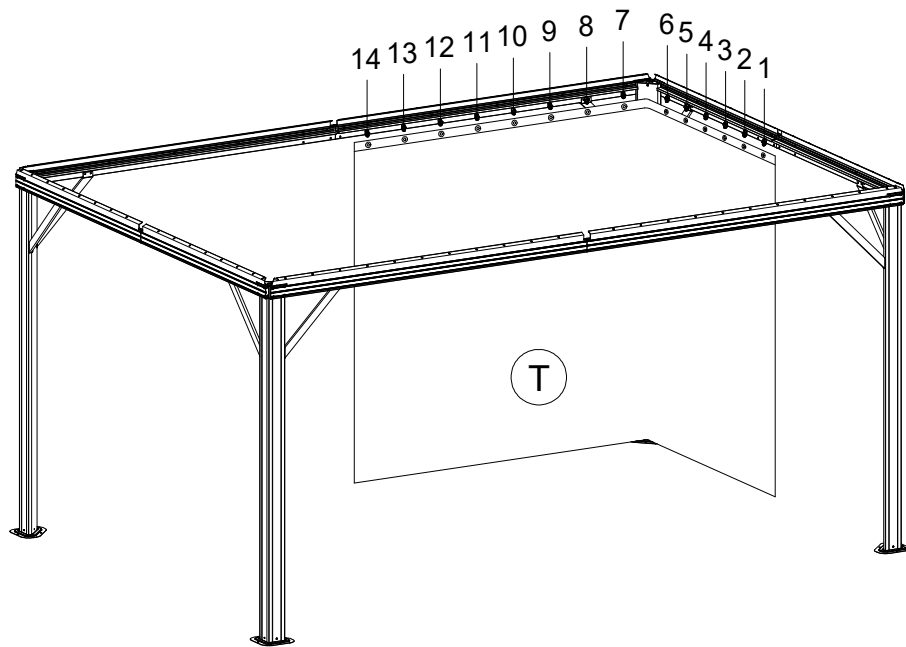


T x4

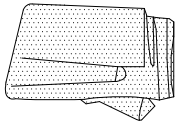
<30>



Tips: When installing curtains, you can first find the tie for the curtain, and then hang the curtain according to the hole number on the left and right sides of the tie.

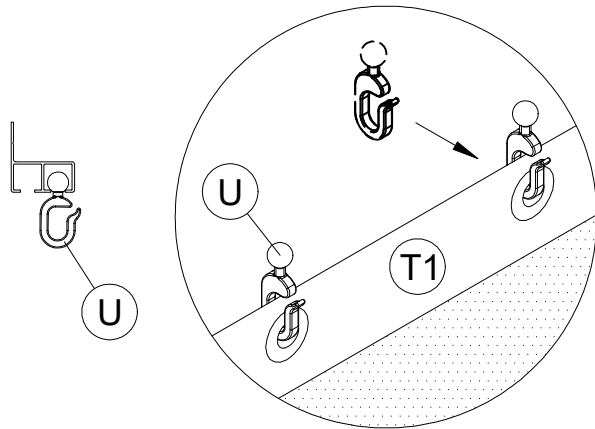


The curtain has outside and inside.

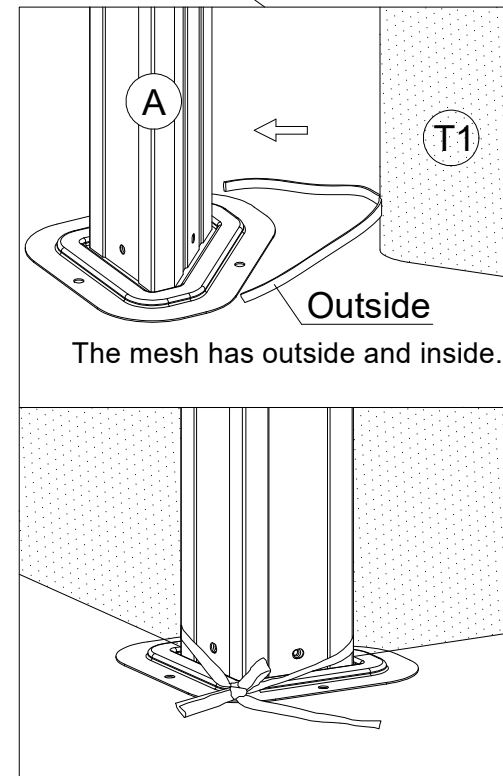
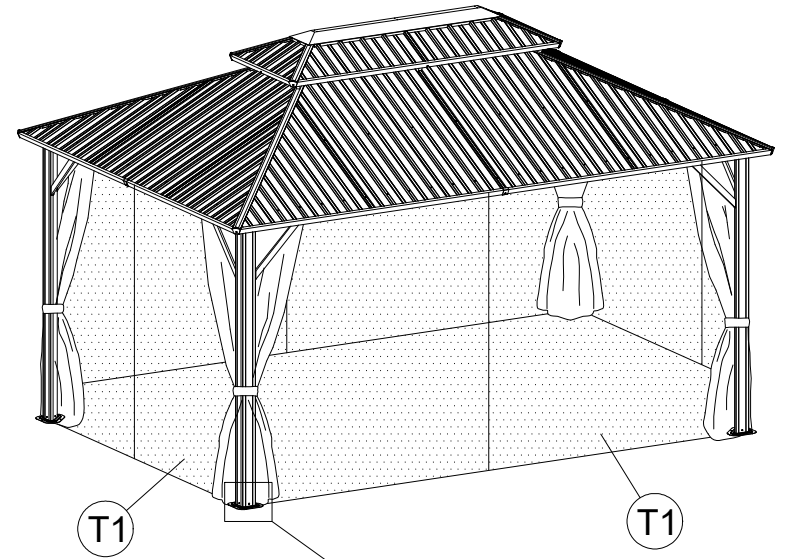
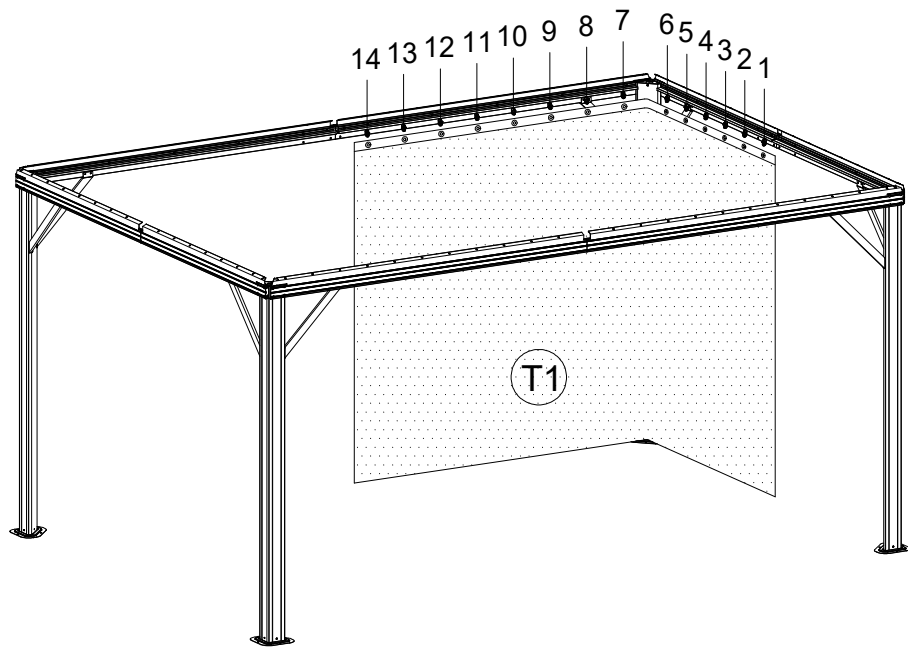


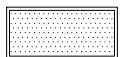
T1 x4

<31>



Tips: When installing nettings, you can first find the tie for the netting, and then hang the netting according to the hole number on the left and right sides of the tie.



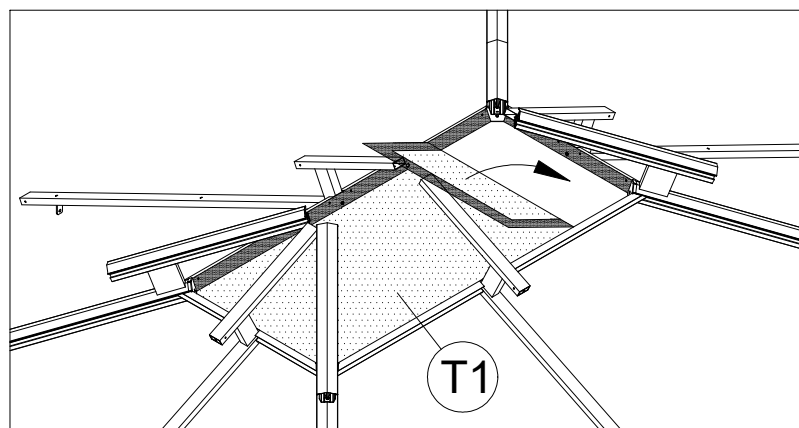
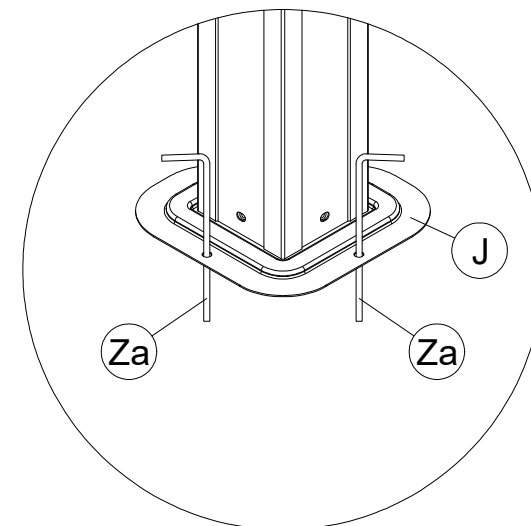
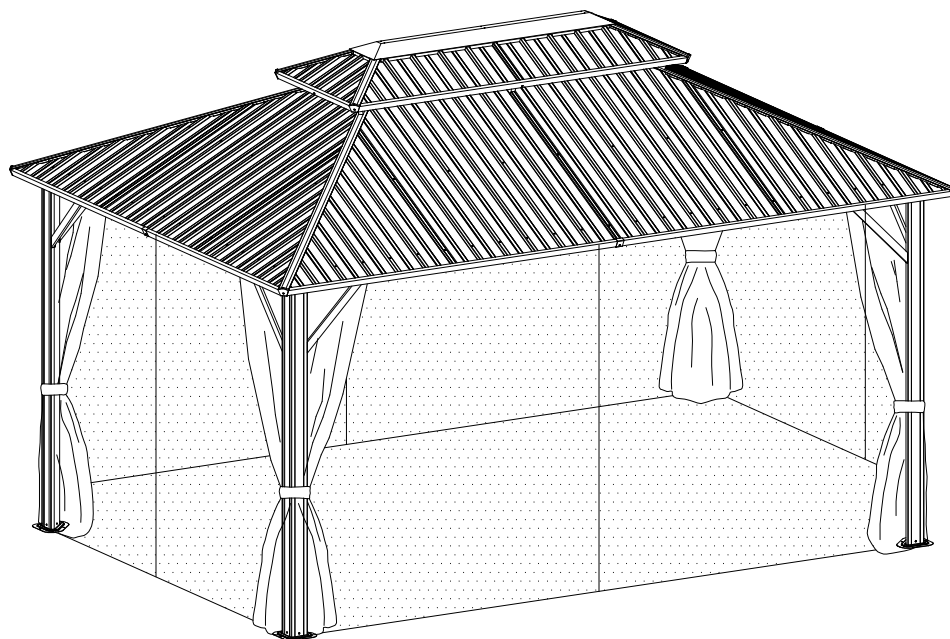


T1 x1



Za x12

<32>



DANCOVER[®]

.com

Contact information

Austria



Belgium



Croatia



Denmark



Estonia



Finland



France



Germany



Ireland



Italy



Latvia



Lithuania



Nederland



Norway



Poland



Portugal



Spain



Sweden



Switzerland



UK



For more information please visit: www.dancovershop.com