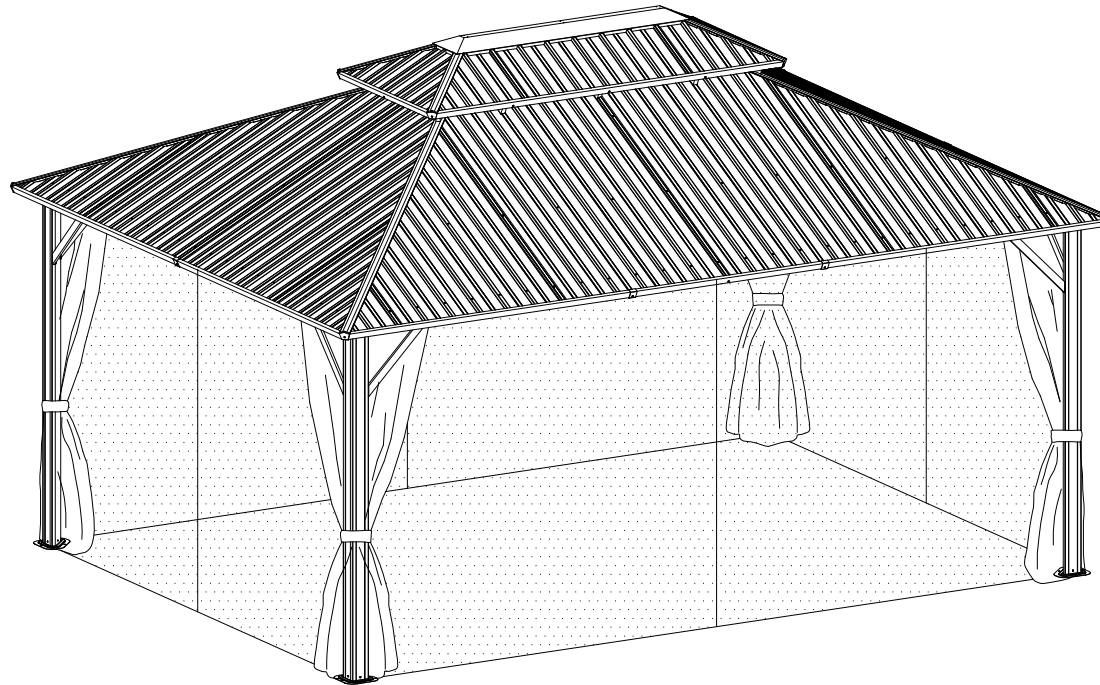


# CosyLifeStyle<sup>®</sup>

Manual  
for  
Gazebo Santa Fe  
3,65x4,85m

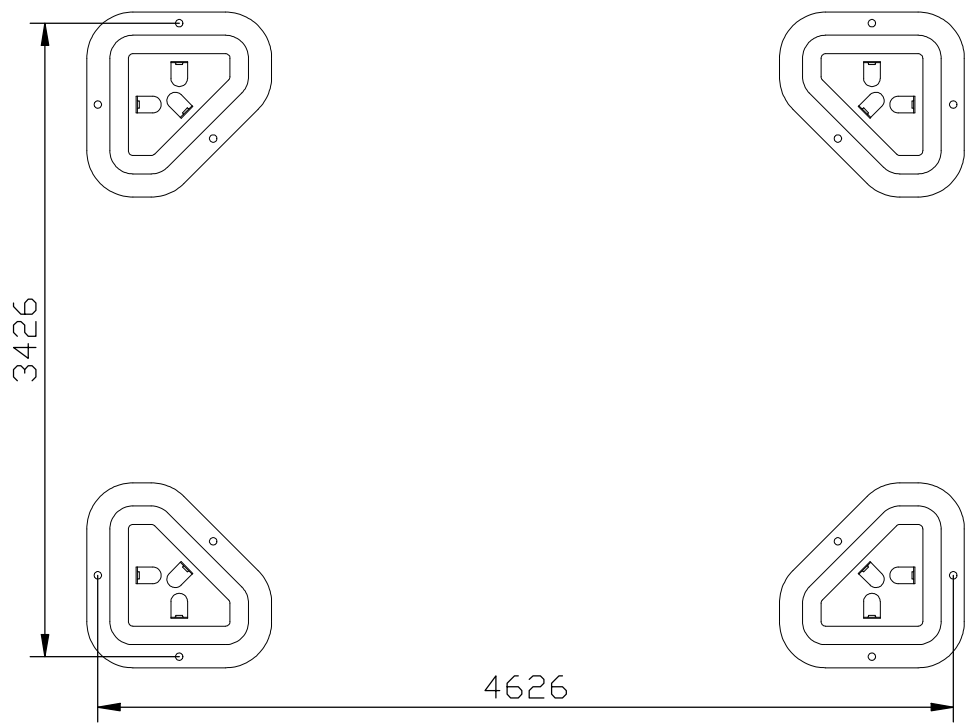
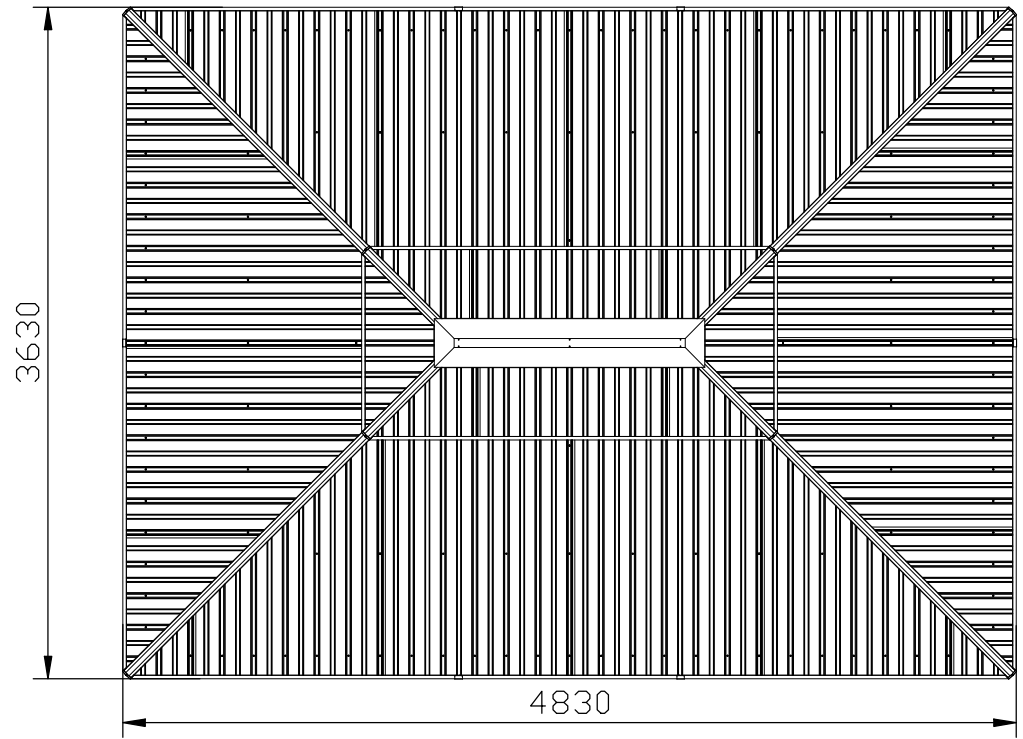
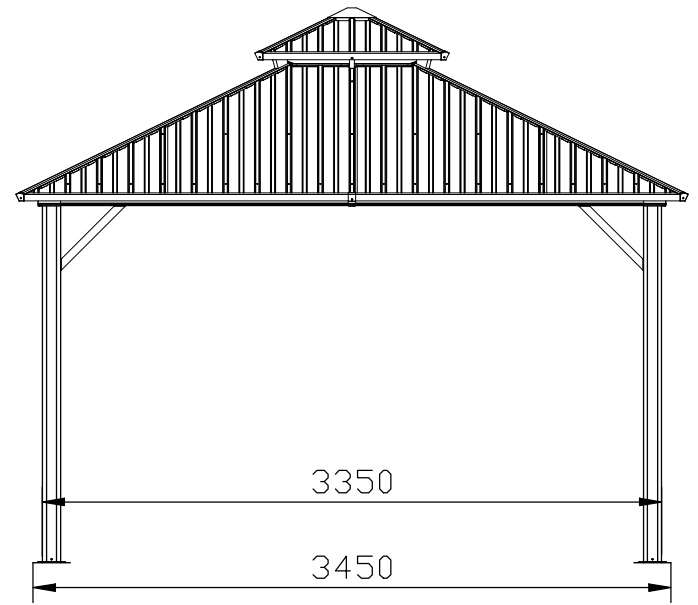
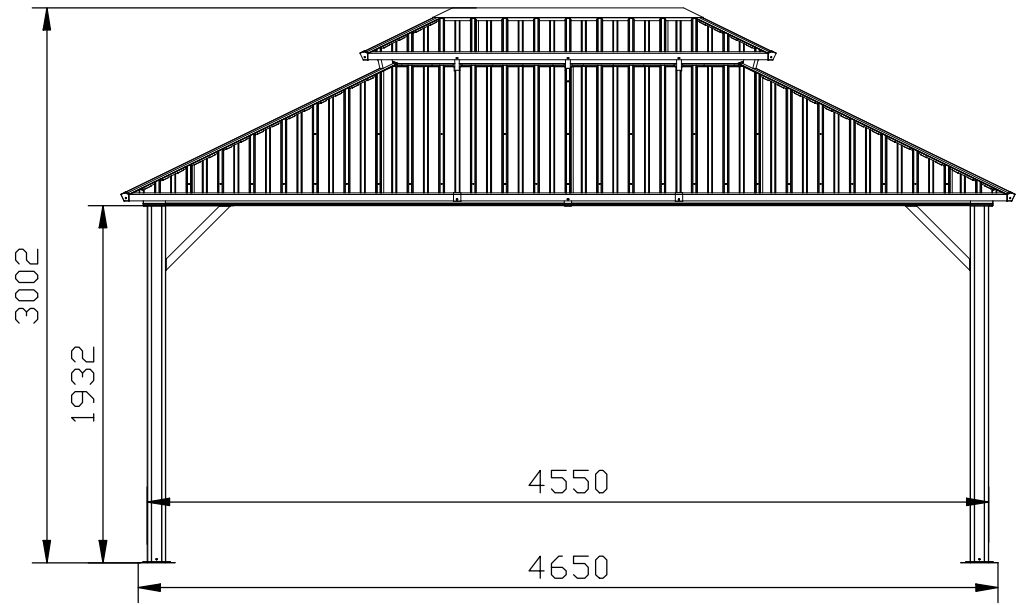
# 3.65 x 4.85 M


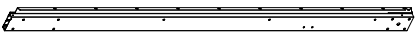







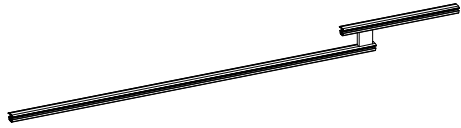






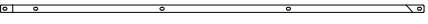









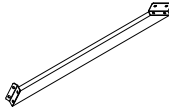
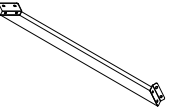
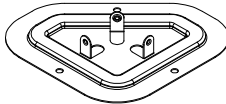
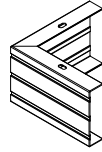
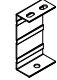


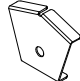
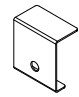
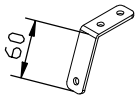
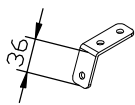

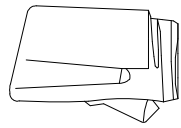
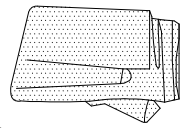

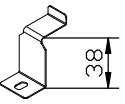
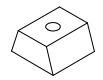
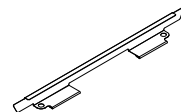
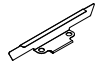
Assembly requires at least 3 people working together


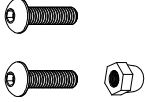



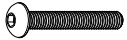
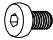
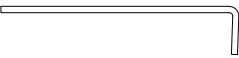
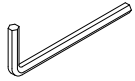

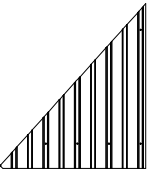
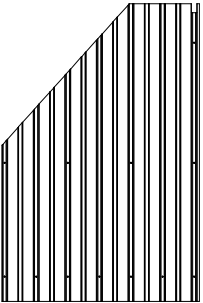
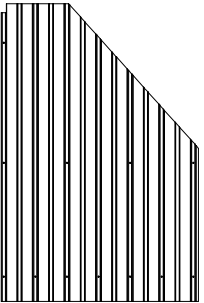
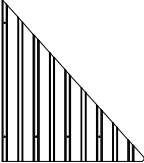
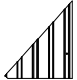
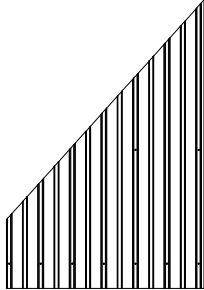
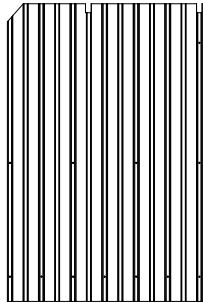
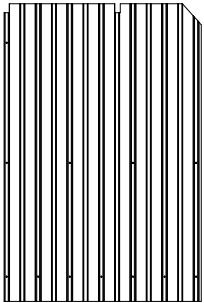
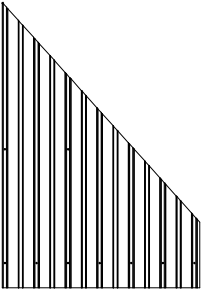

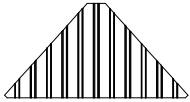
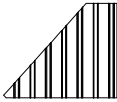
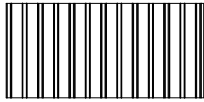
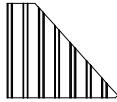
## REQUIRED TOOLS



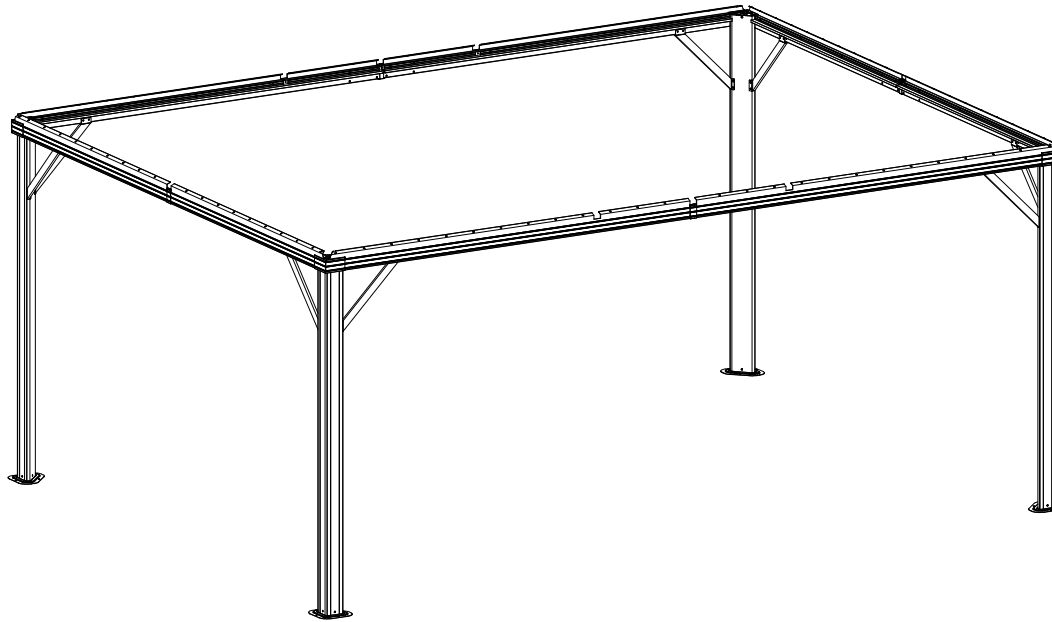


 <p>(A) x4</p>	 <p>(B) x2</p>	 <p>(B1) x2</p>	
 <p>(C) x2</p>	 <p>(C1) x2</p>	 <p>(D) x2</p>	
 <p>(D1) x2</p>	 <p>(D2) x2</p>	 <p>(D3) x2</p>	
 <p>(E) x4</p>	 <p>(E1) x4</p>	 <p>(E2) x4</p>	
 <p>(F) x4</p>	 <p>(F1) x2</p>	 <p>(F2) x2</p>	 <p>(F3) x2</p>
 <p>(F4) x2</p>	 <p>(G1) x4</p>	 <p>(G2) x4</p>	

 G x2	 G3 x2	 G4 x2		
 G5 x2	 G6 x2		 H1 x4	
 H2 x4	 J x4	 K x4	 K1 x4	
 L x1	 M x1	 N x12	 N1 x6	
 N2 x4	 N3 x8	 P x4	 T x4	 T1 x4+x1
 U x128	 V x4	 Y x124	 Z x72	 Z1 x12

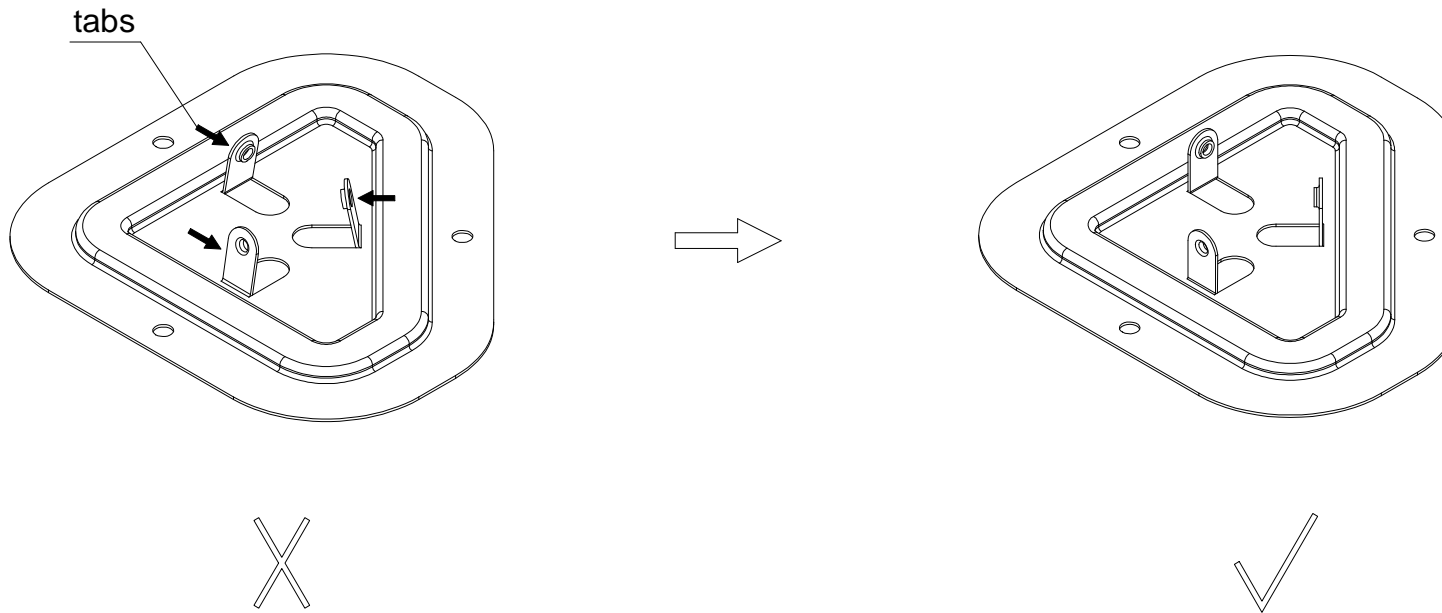
 <b>1</b> x181 M6x15	 x8 <b>2</b> x8+x84 M6x23	 <b>3</b> x36 M5x12	 <b>4</b> x24 ST4.8x12	 <b>5</b> x2			
 <b>6</b> x32 M6x42	 <b>7</b> x32 M6x10	 <b>Za</b> x12	 x1  x1				
 <b>Q1</b> x2	 <b>Q2</b> x2	 <b>Q3</b> x2	 <b>Q4</b> x2	 <b>R1</b> x2	 <b>R2</b> x2	 <b>R3</b> x2	 <b>R4</b> x2
 <b>R5</b> x2	 <b>R6</b> x2	 <b>S</b> x2	 <b>S1</b> x2	 <b>S2</b> x2	 <b>S3</b> x2		

# STEP 1

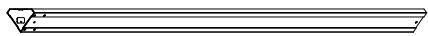


Tips: When installing the screws, don't tighten them all the way first, just roughly hold them in place, and when you're sure that all the parts are installed, then you can tighten the screws to secure the frame.

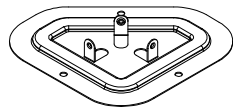
<1>



Tips: If the tabs on the base are crooked, you can use pliers to straighten them for easy screw installation



A x4



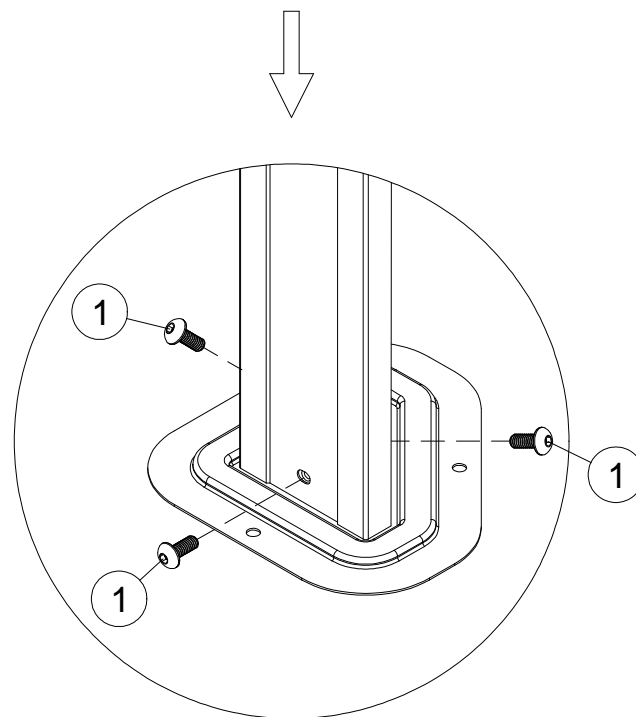
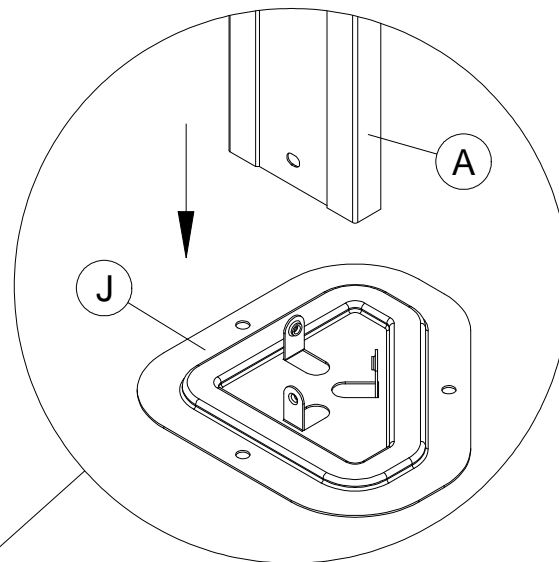
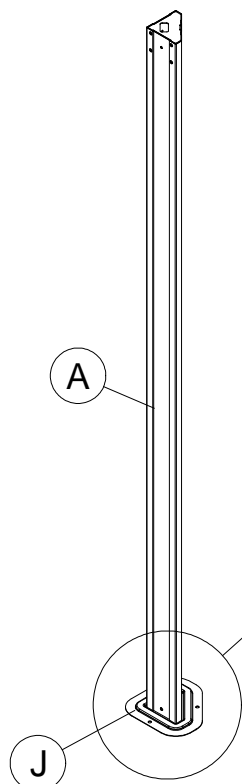
J x4



M6x15

1 x12

<2>

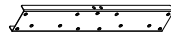




(B) x2



(B1) x2



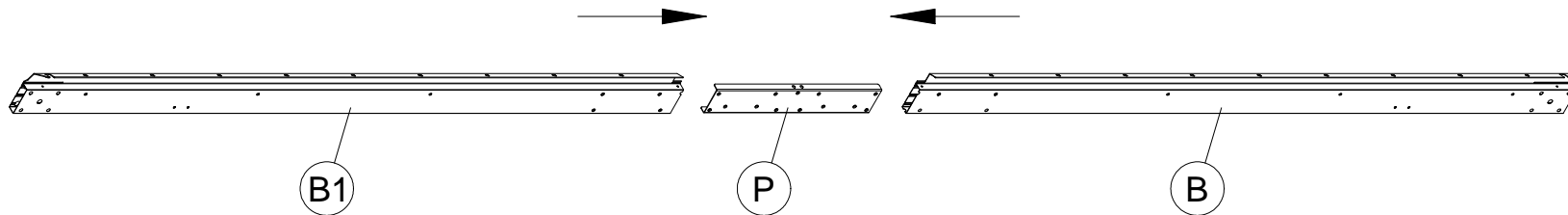
(P) x2



M6x15

(1) x12

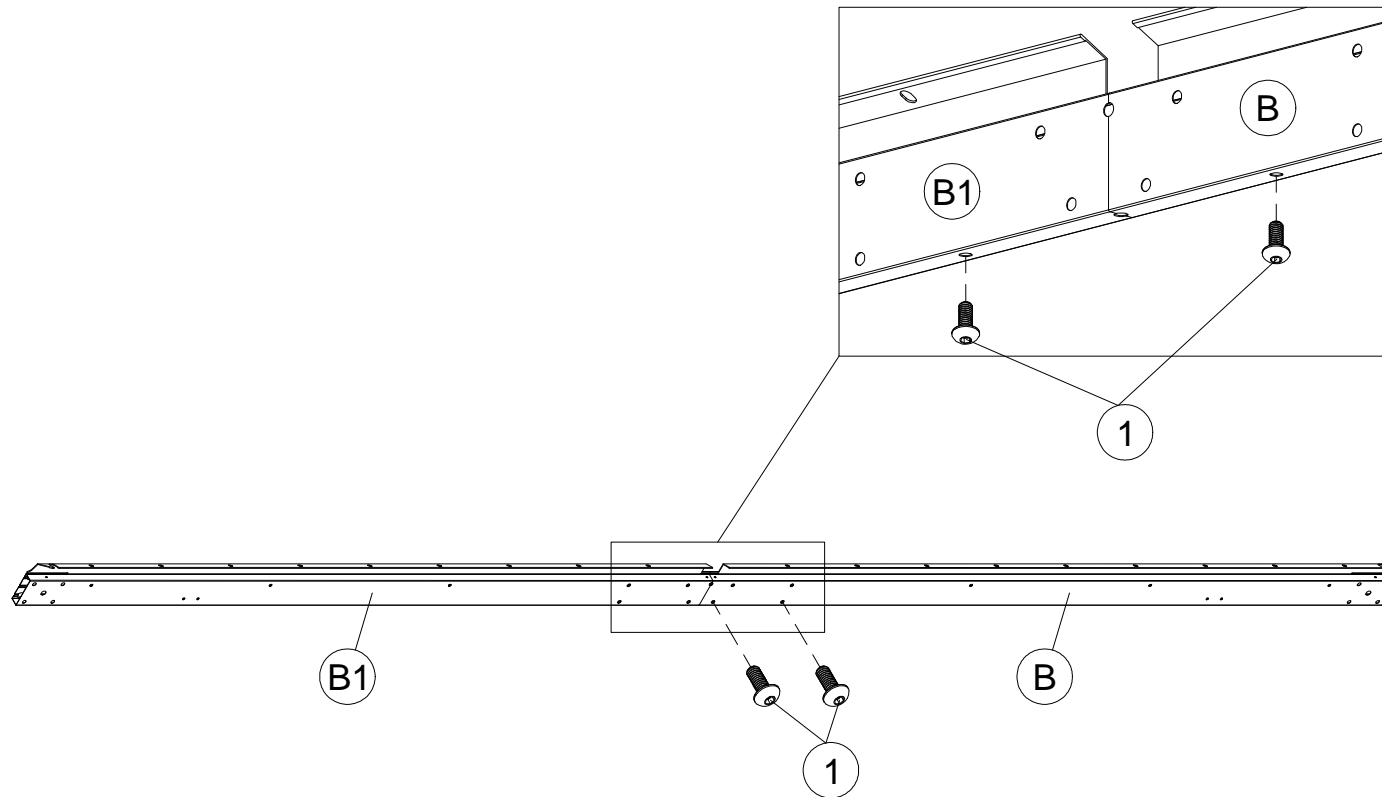
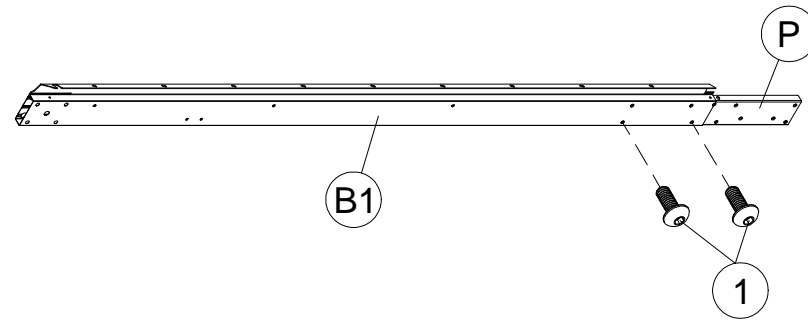
<3>



Tip 1: Use #1 screws to line up the holes in beam B1 and connector P, then connect beam B.

Tip 2: When installing the screws, just hold them roughly in place and then tighten all the screws when you have the entire part connection aligned.

<4>





C x2



C1 x2



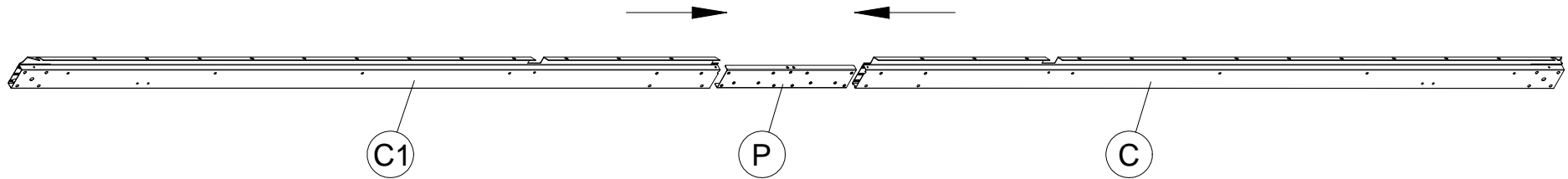
P x2



1 x12

M6x15

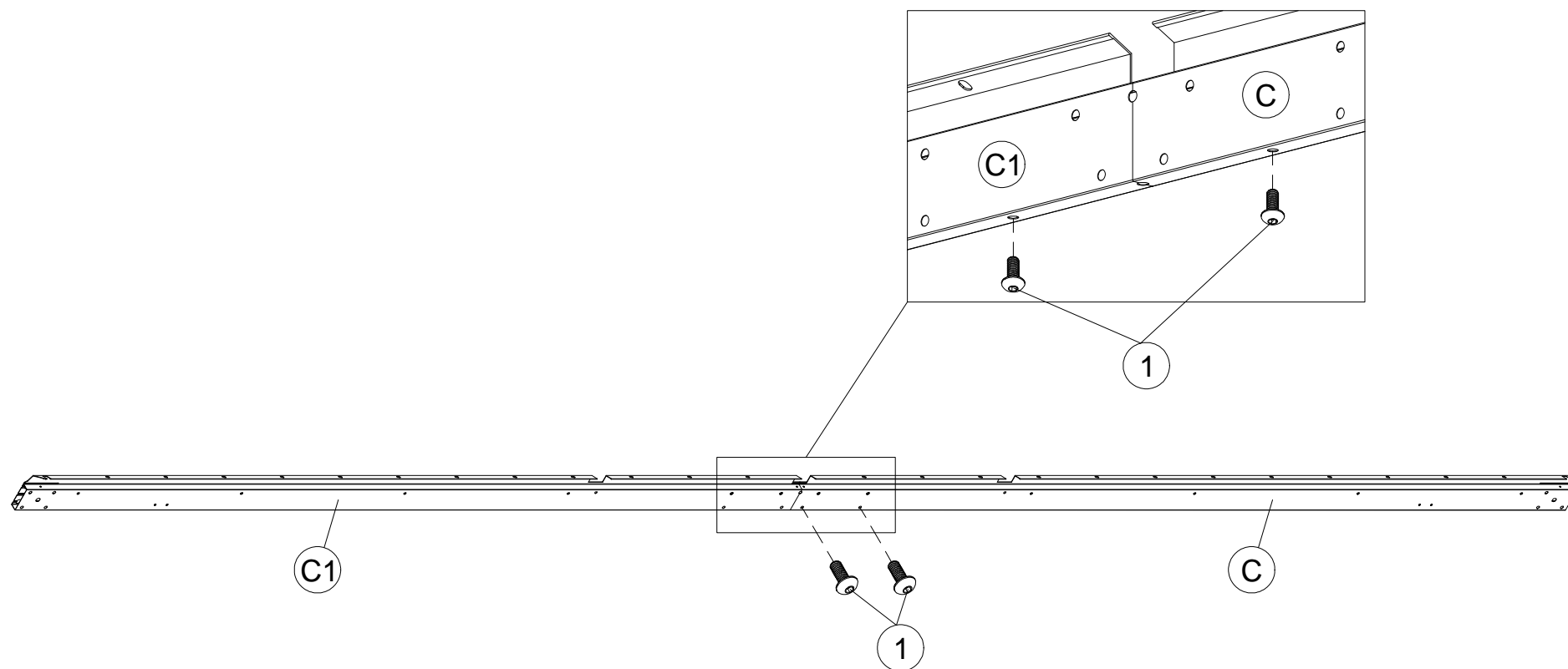
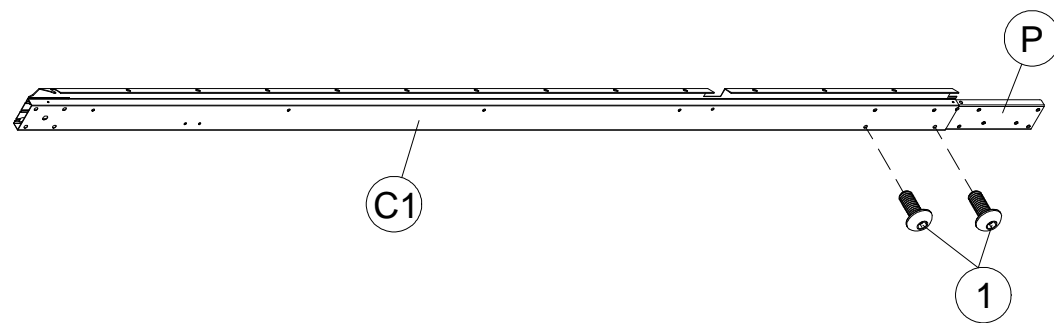
<5>



Tip 1: Use #1 screws to line up the holes in beam C1 and connector P, then connect beam C.

Tip 2: When installing the screws, just hold them roughly in place and then tighten all the screws when you have the entire part connection aligned.

<6>

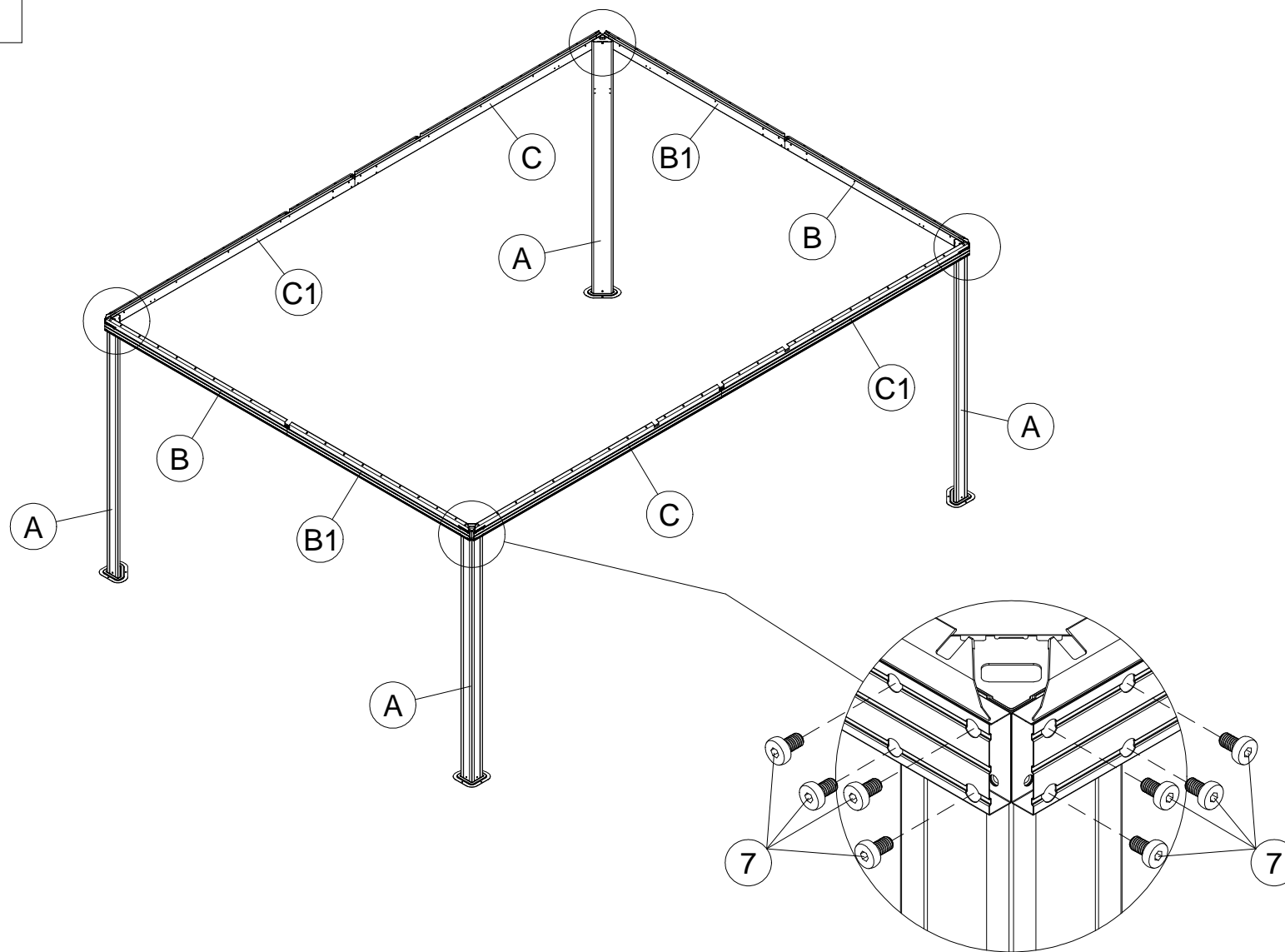


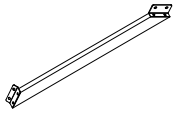


M6x10

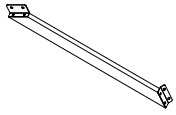
7 x32

<7>





H1 x4



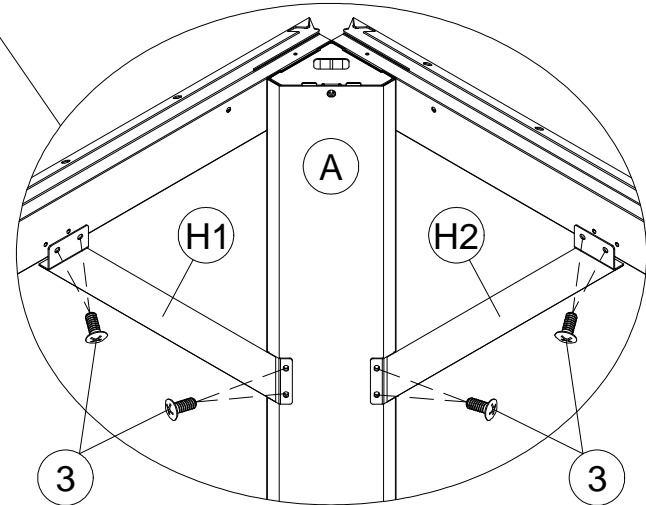
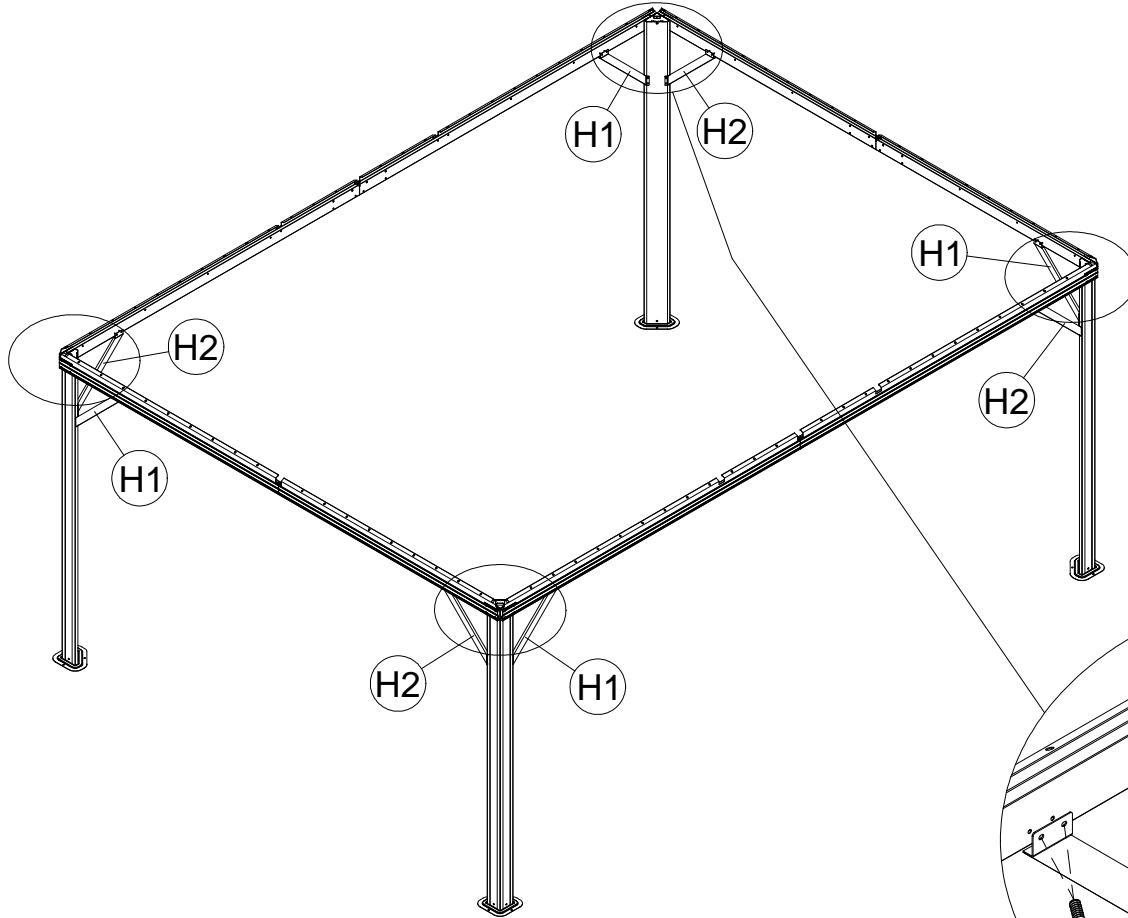
H2 x4








3 x32

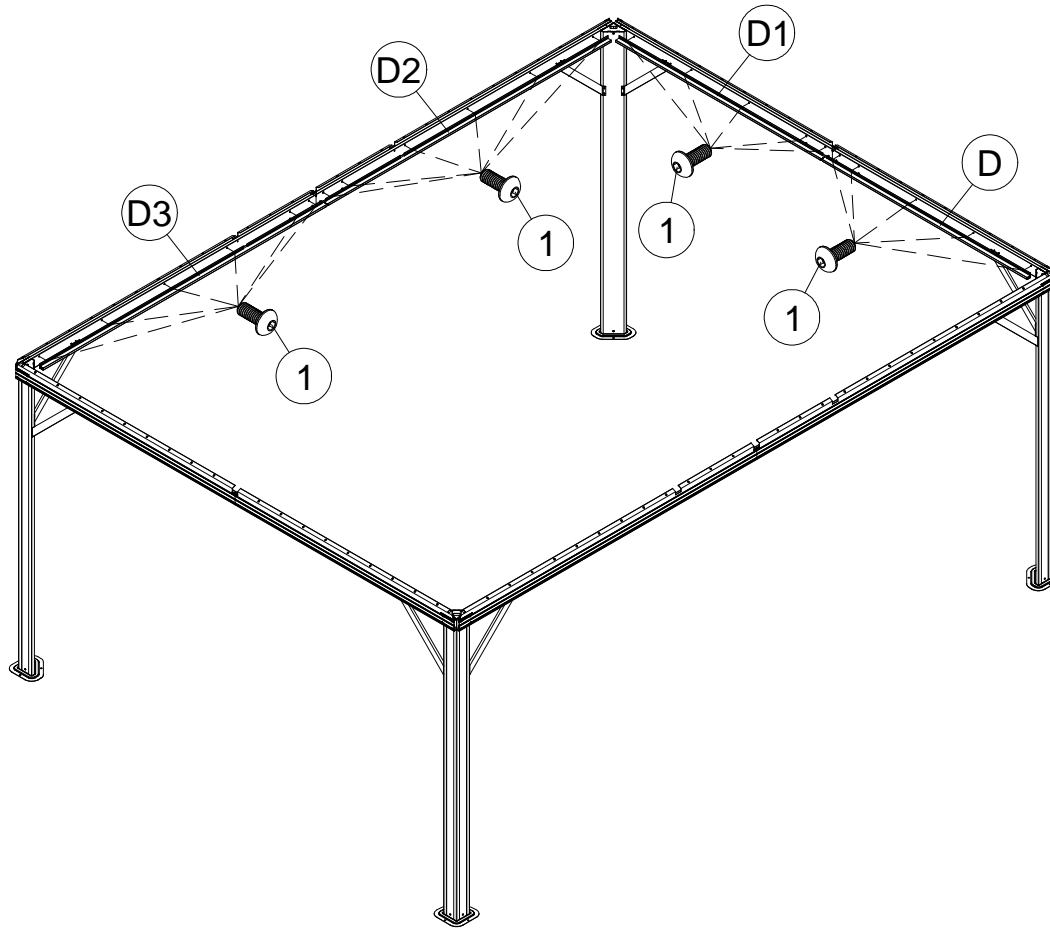
M5x12

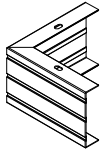
<8>



 <b>D</b> x2	 <b>D1</b> x2	 <b>1</b> x44 M6x15
 <b>D2</b> x2	 <b>D3</b> x2	

<9>





K x4



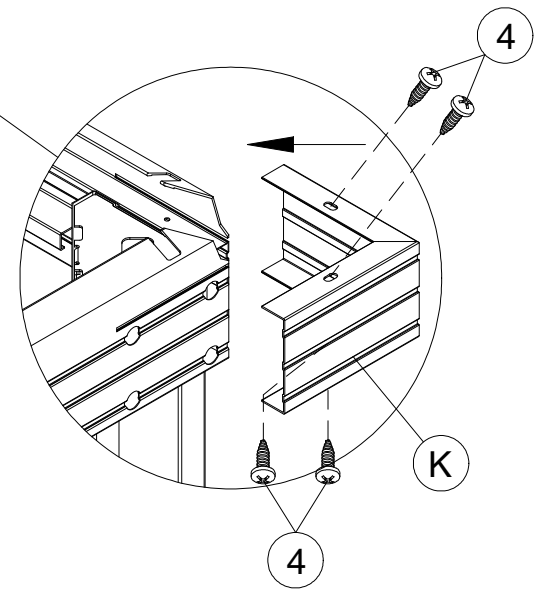
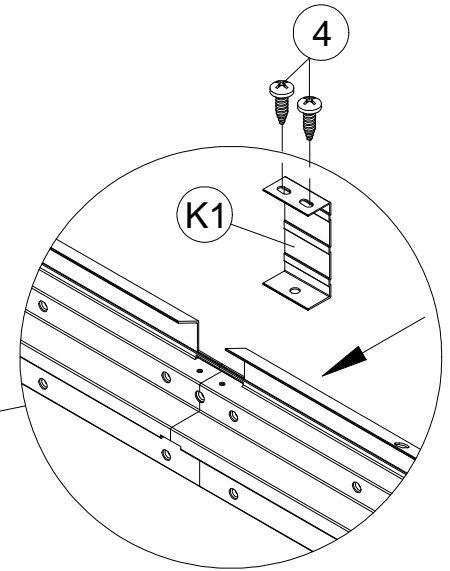
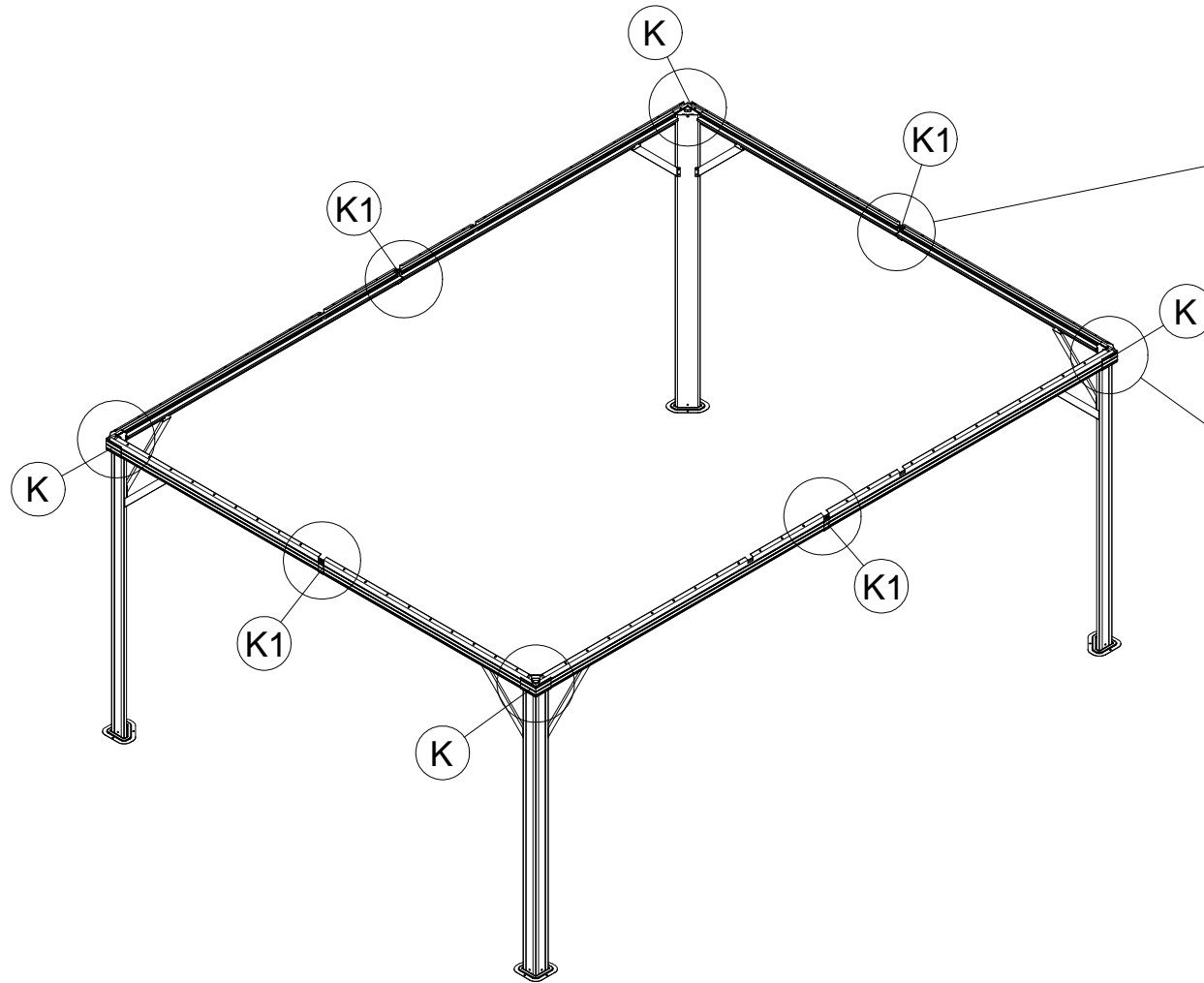
K1 x4

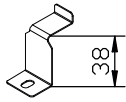


ST4.8x12

4 x24

<10>





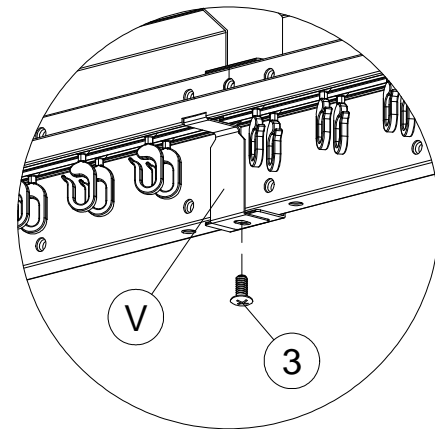
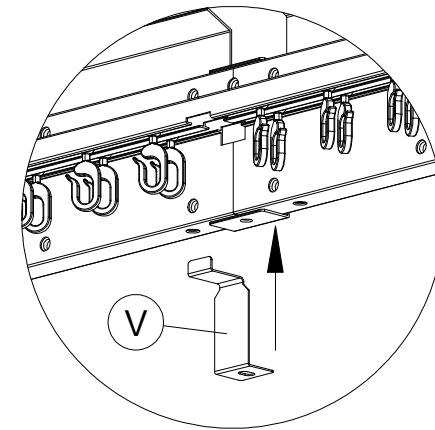
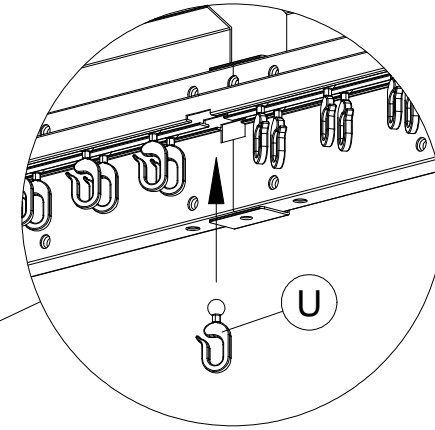
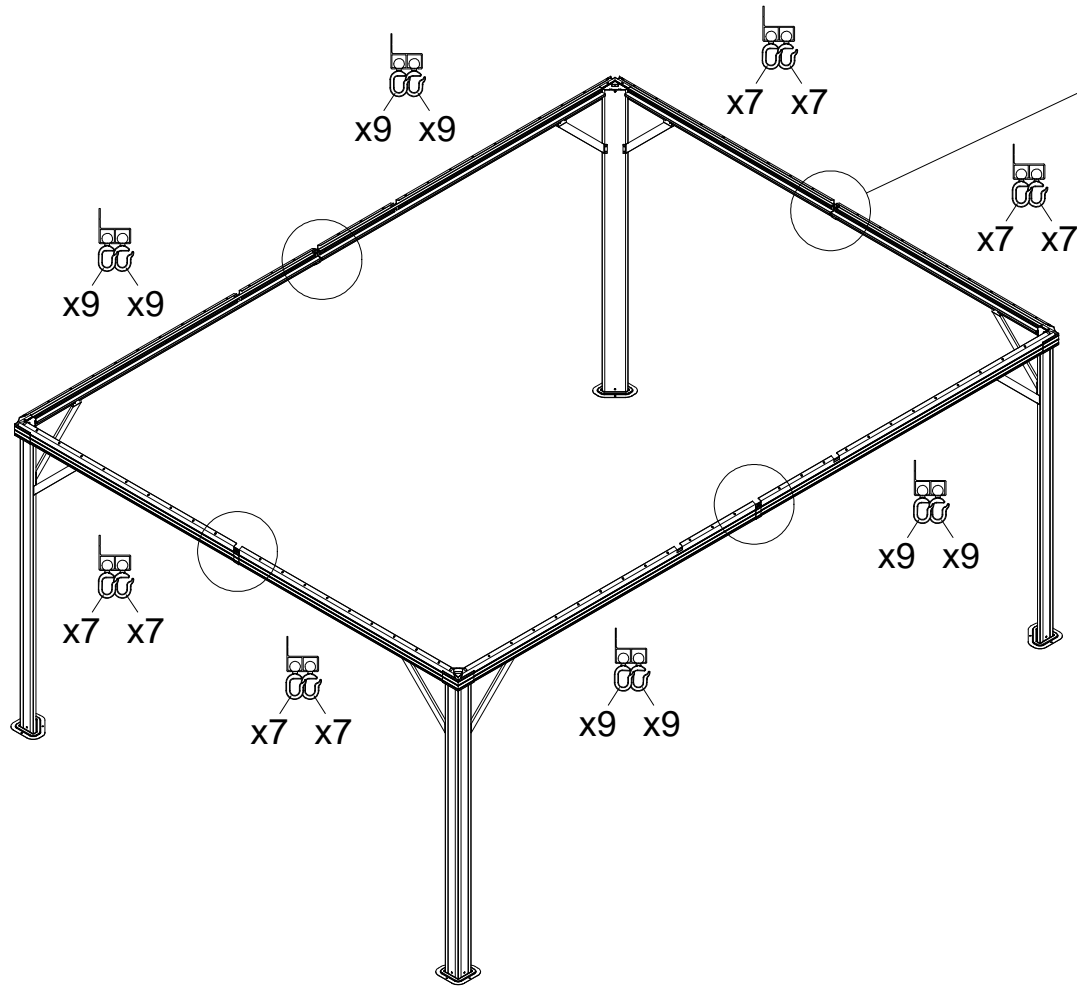
M5x12

U x128

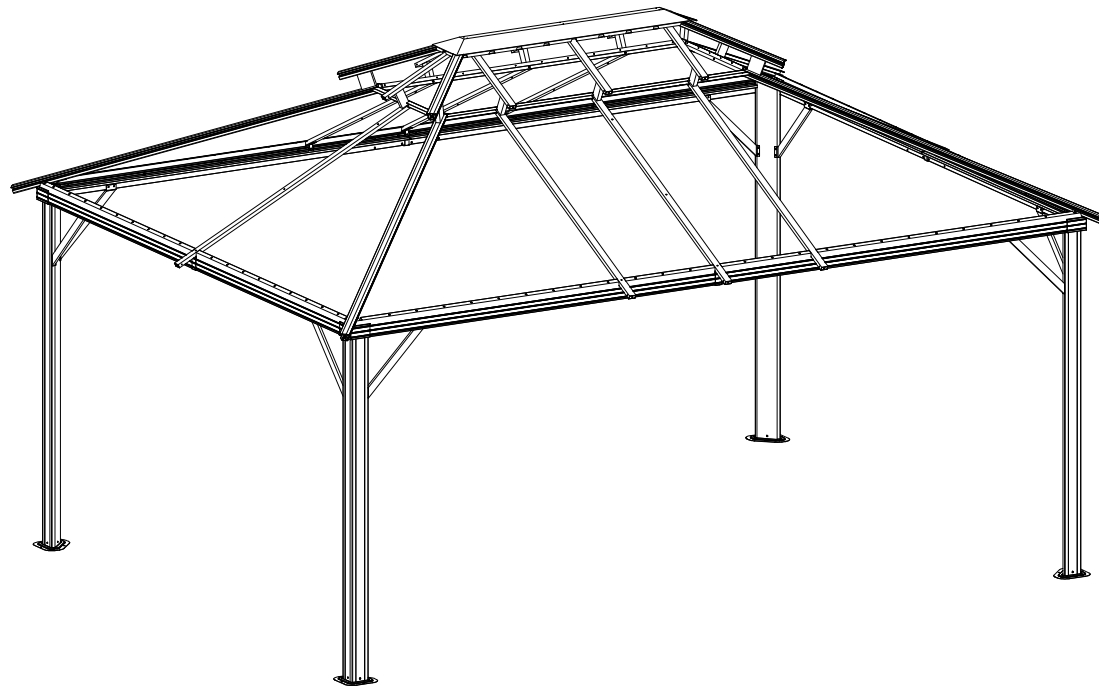
V x4

3 x4

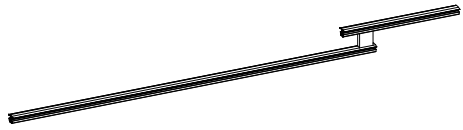
<11>



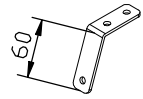
# STEP 2



Tips: When installing the screws, don't tighten them all the way first, just roughly hold them in place, and when you're sure that all the parts are installed, then you can tighten the screws to secure the frame.



E x4



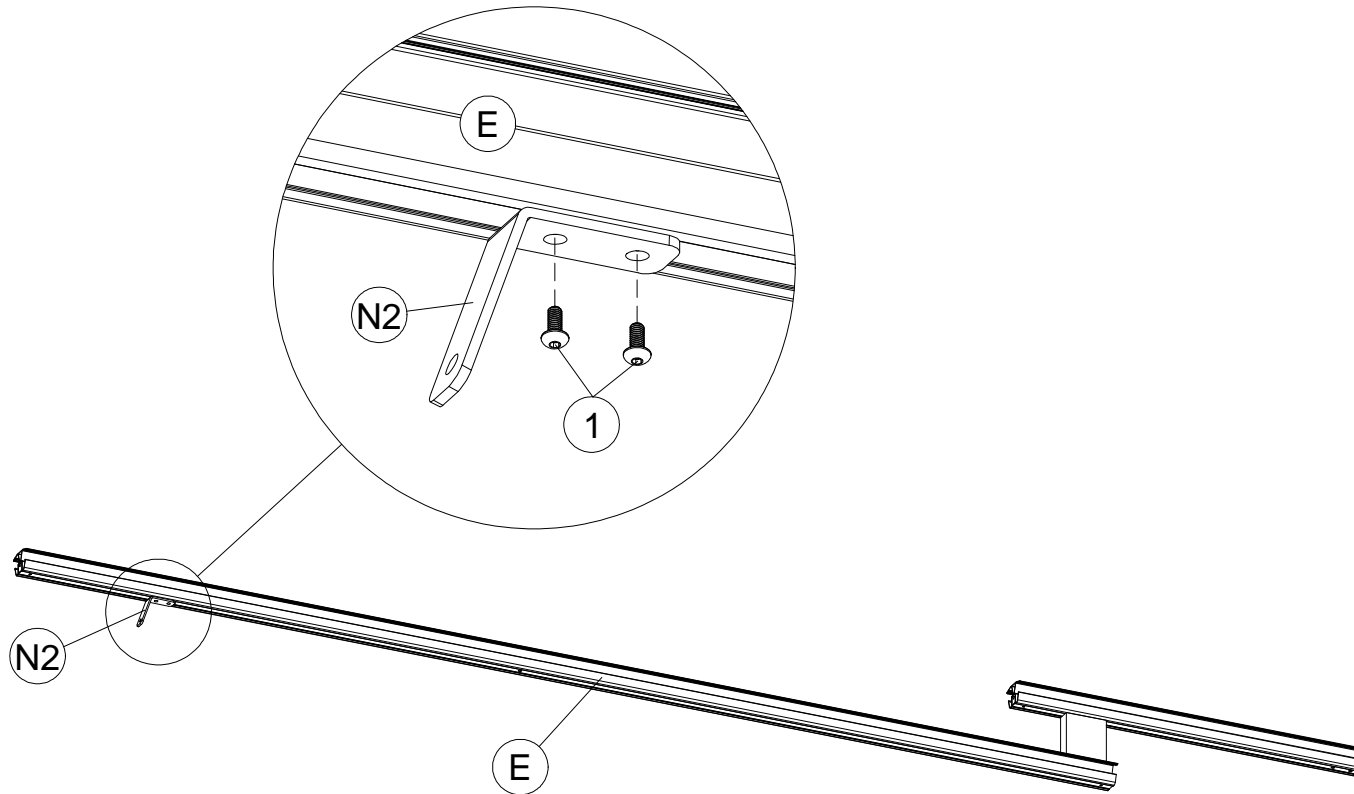
N2 x4



M6x15

1 x8

<12>

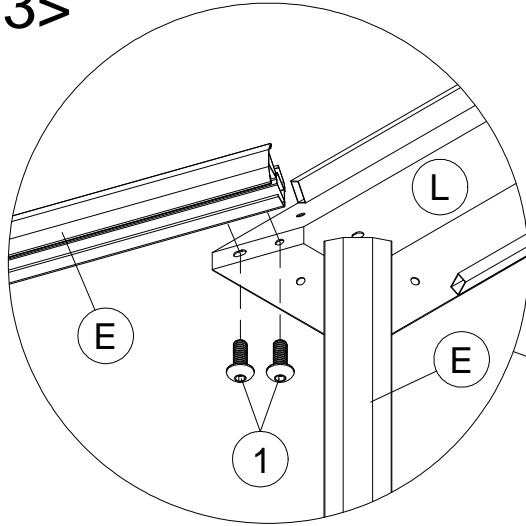




M6x15

1 x12

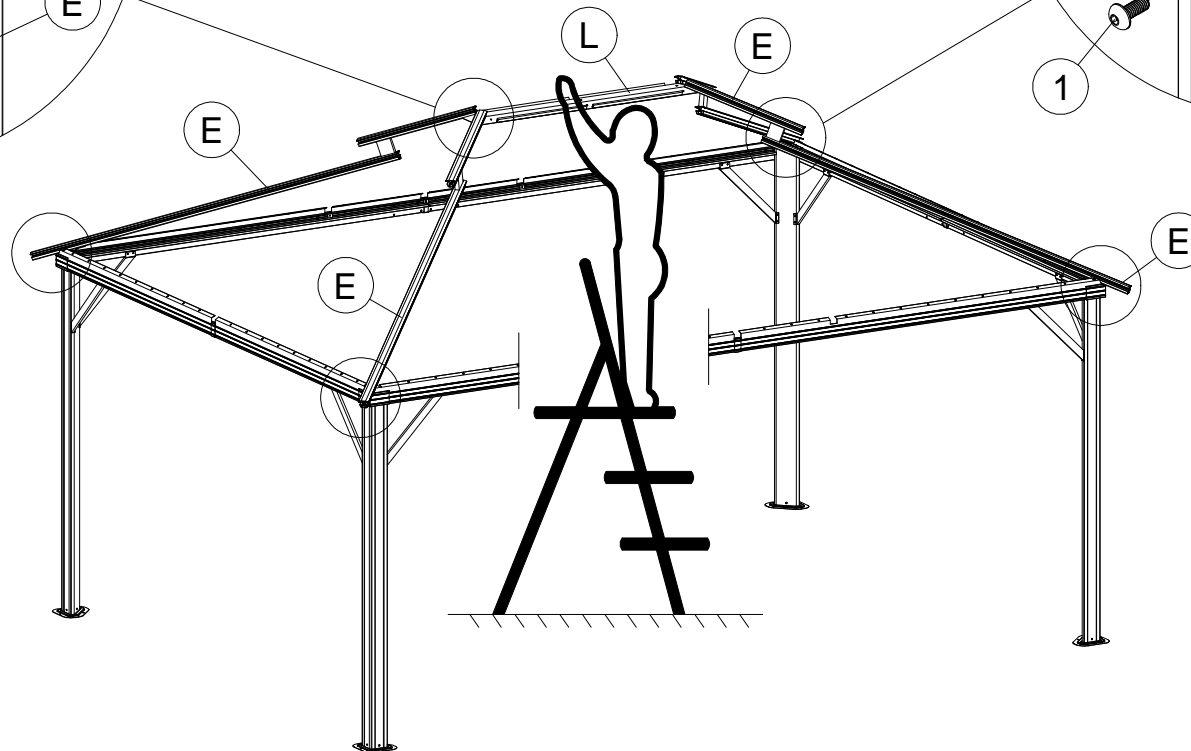
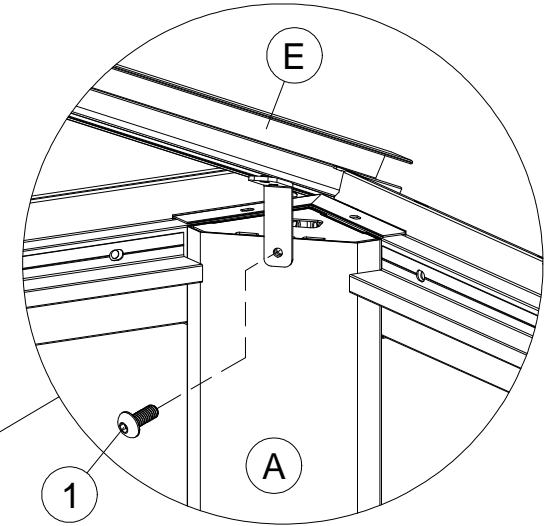
<13>



Note:

1. Let one person stand on the ladder to lift " L " and hold, and let others fasten the screws connecting both ends of " E " .

2. Please do not let go of holding " L " until all the " E " screws are installed.

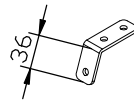




E1 x4



E2 x4

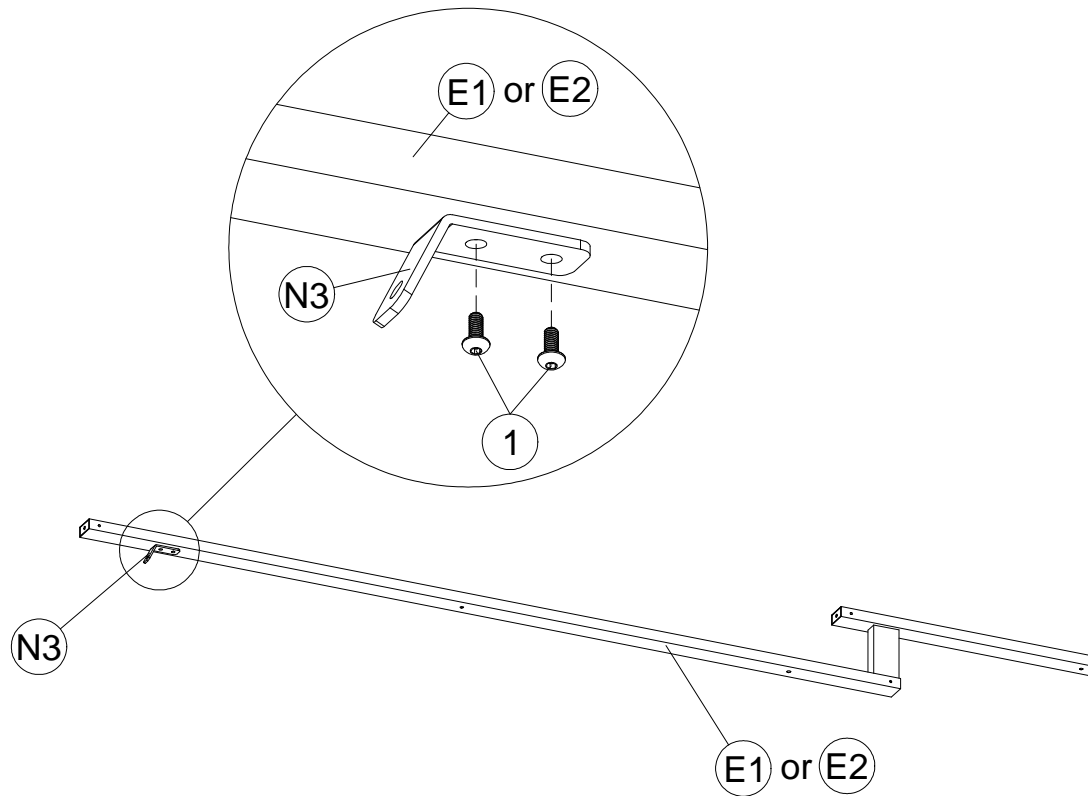


N3 x8



1 x16 M6x15

<14>

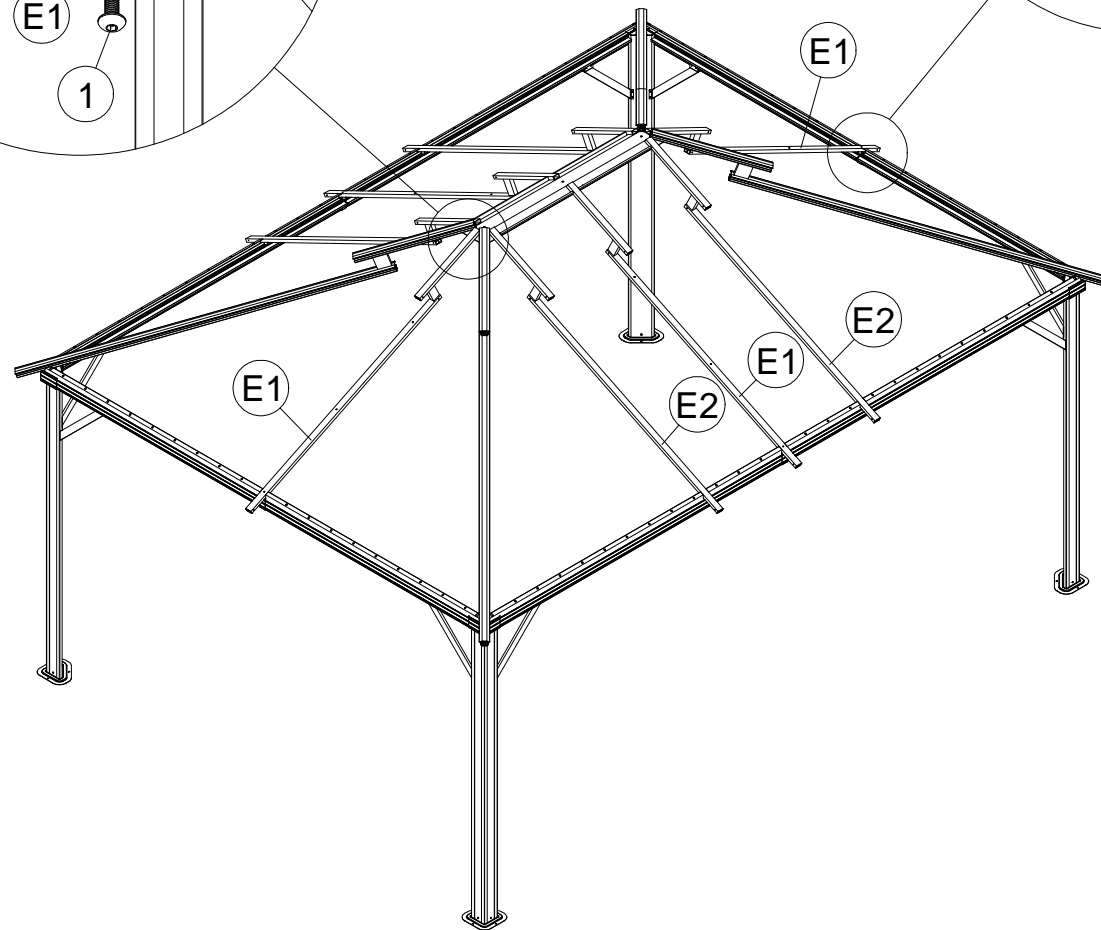
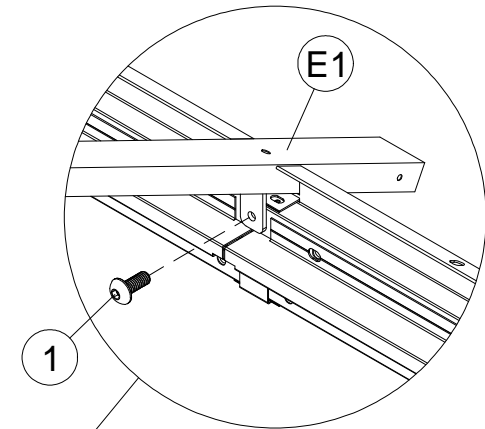
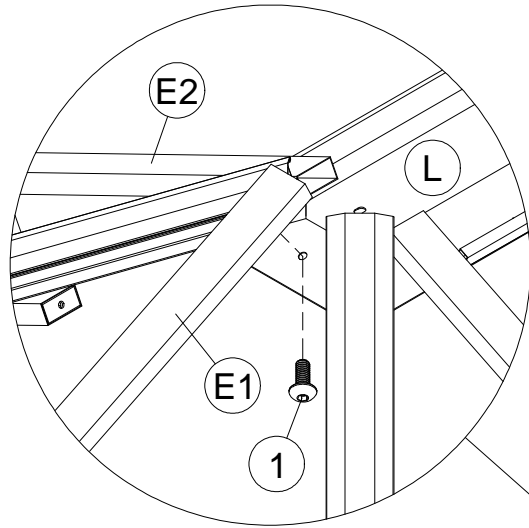




M6x15

1 x16

<15>





M x1



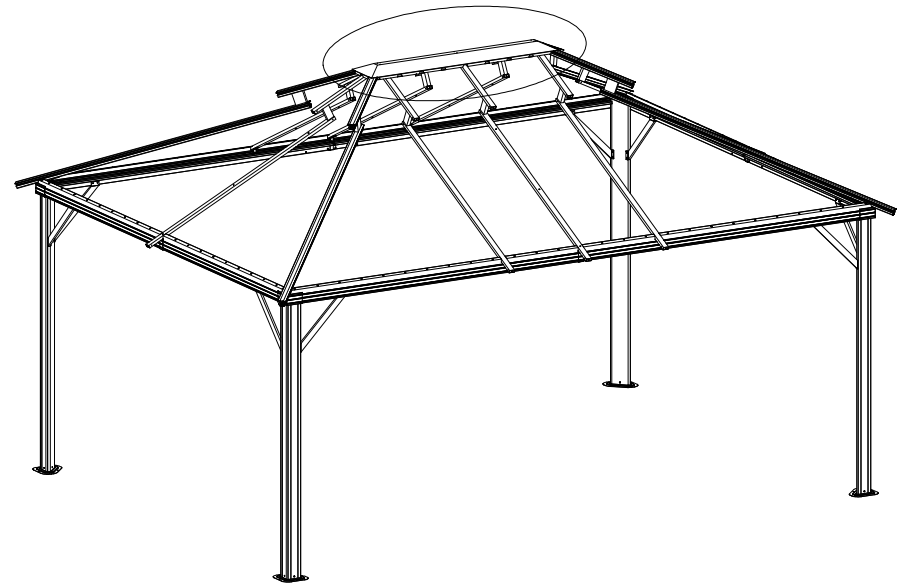
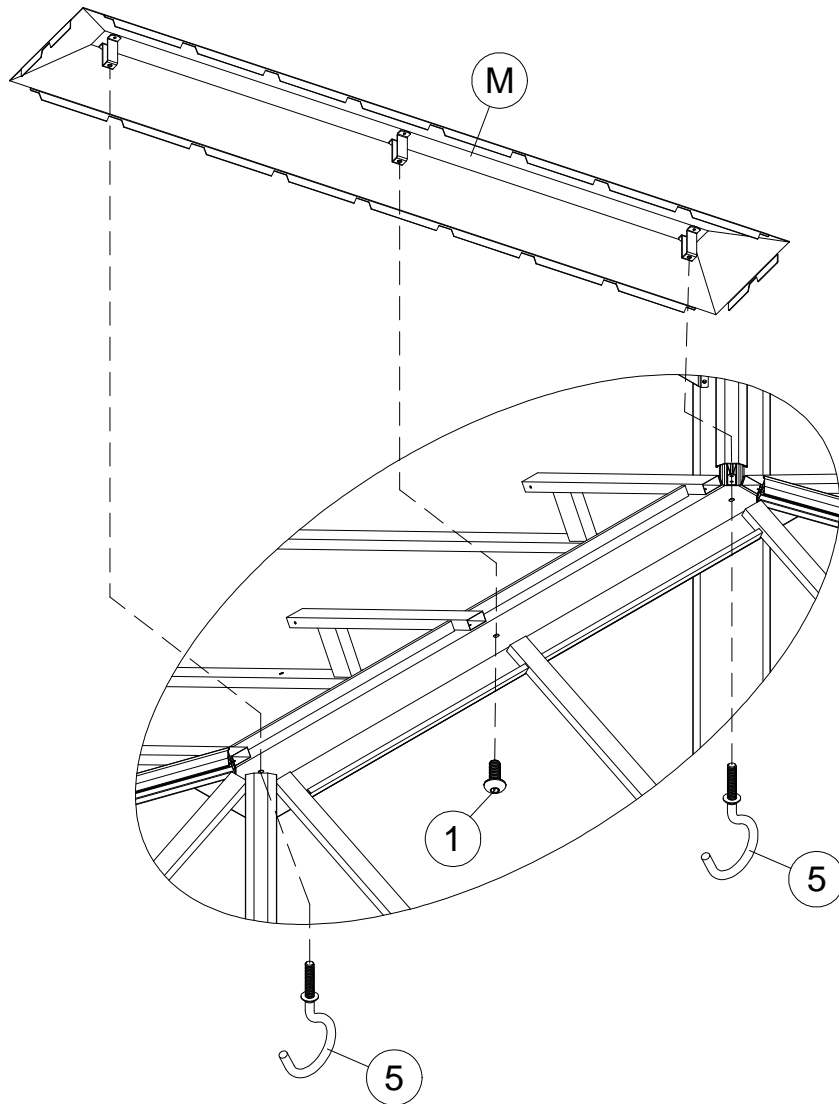
M6x15

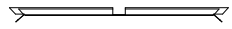
1 x1



5 x2

<16>





G5 x2



G6 x2



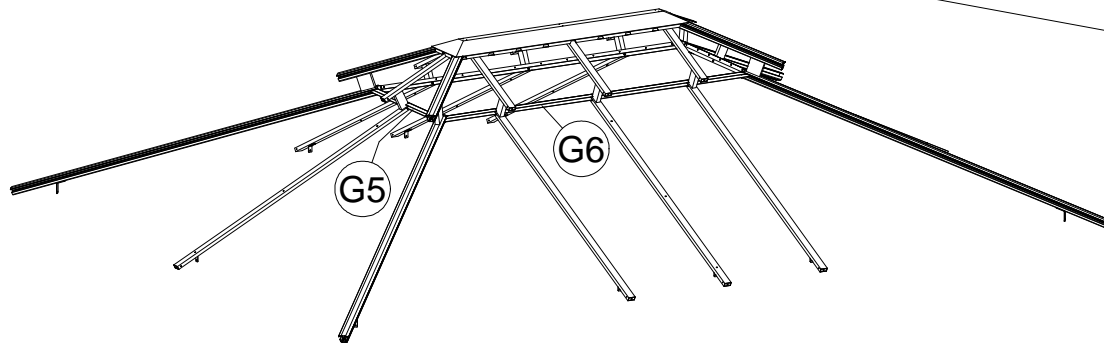
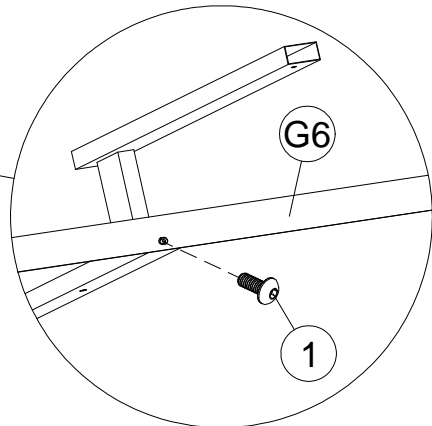
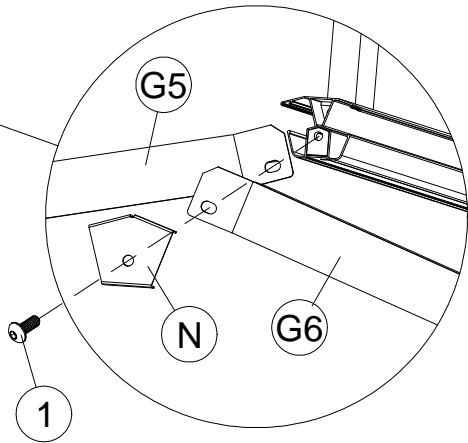
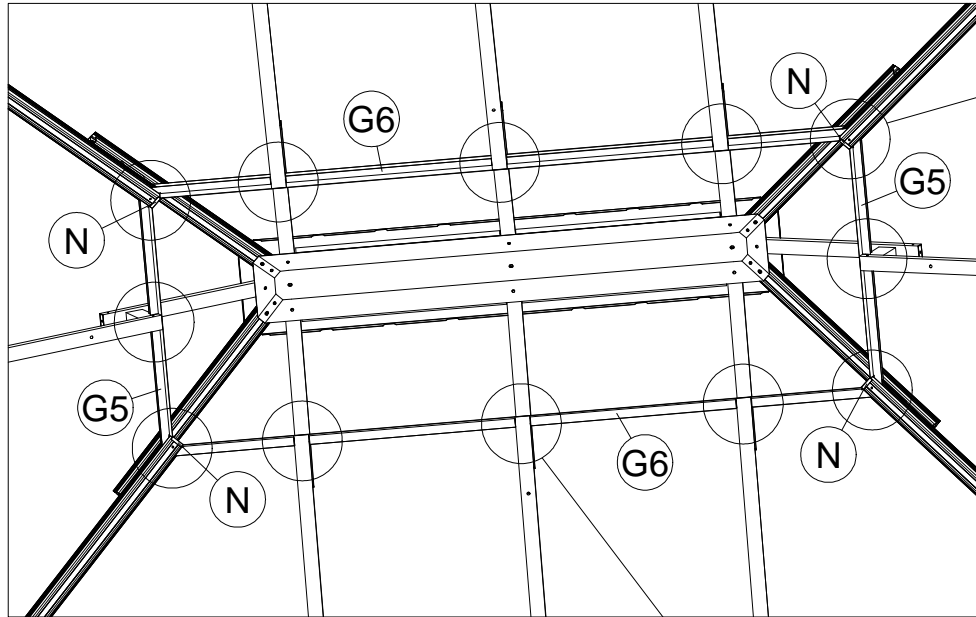
N x4



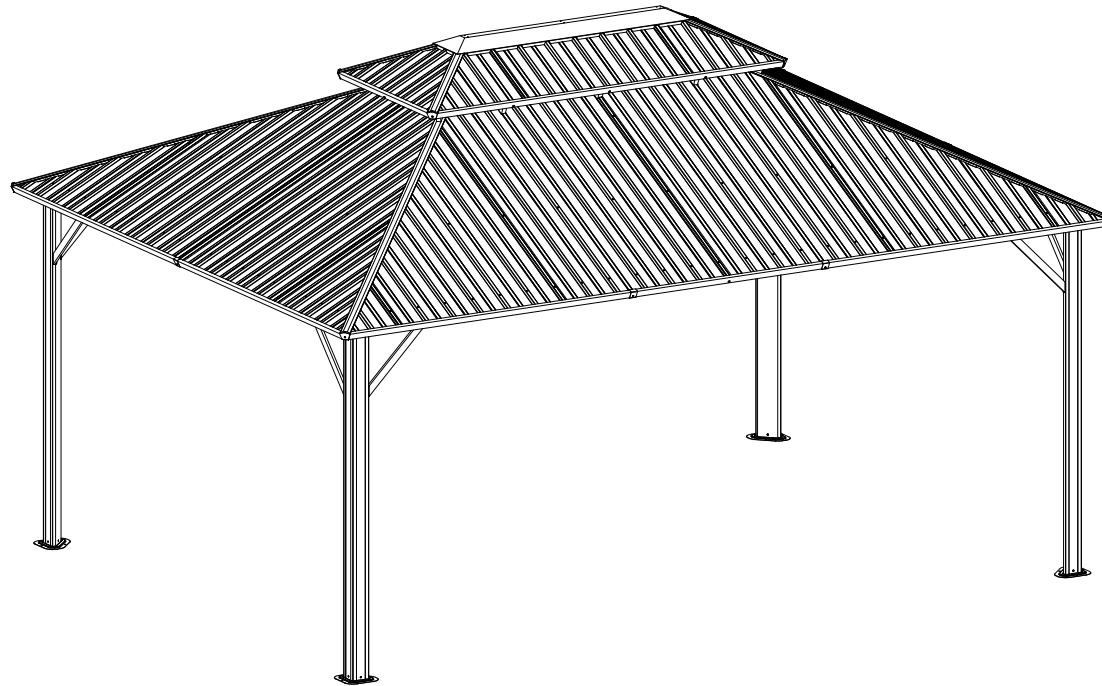
M6x15

1 x12

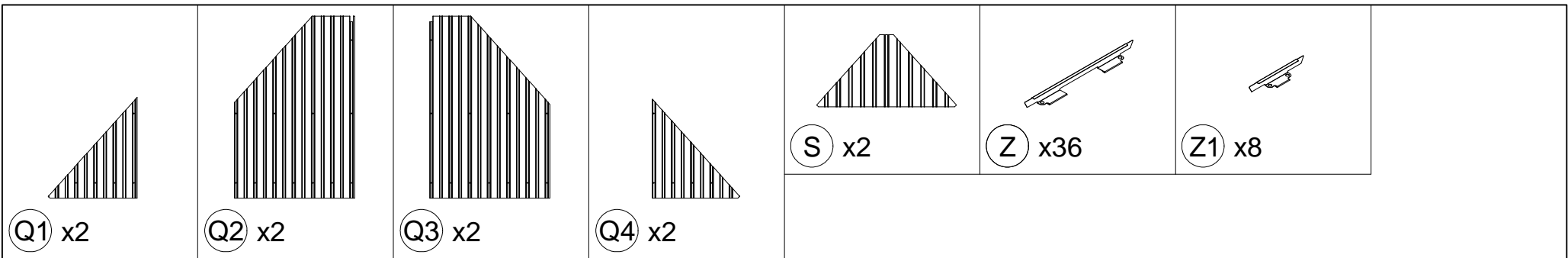
<17>



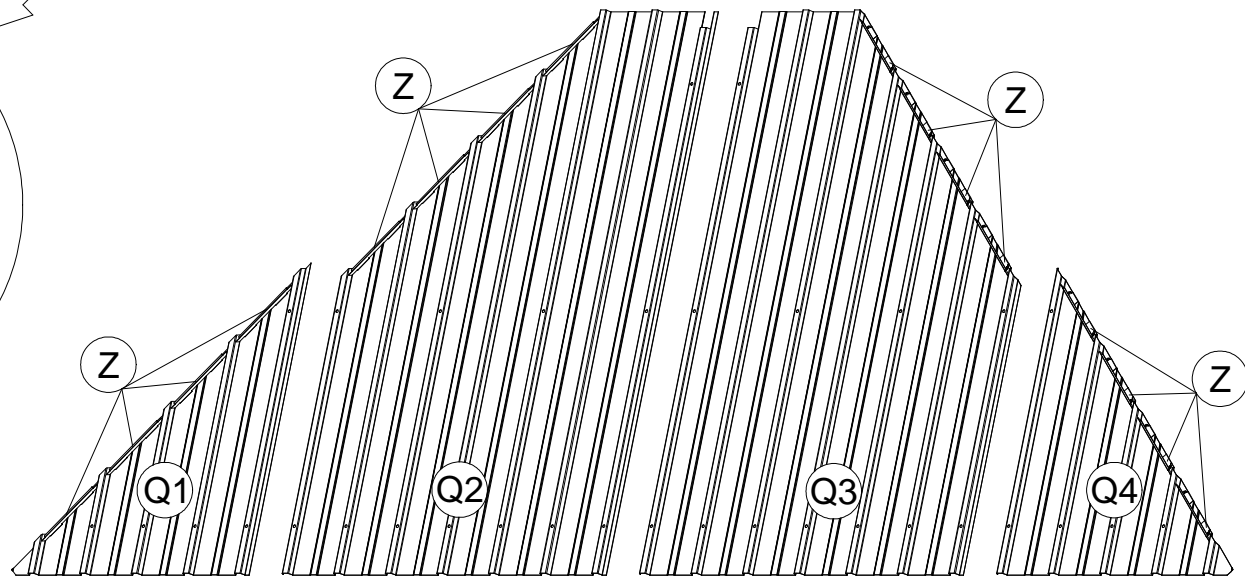
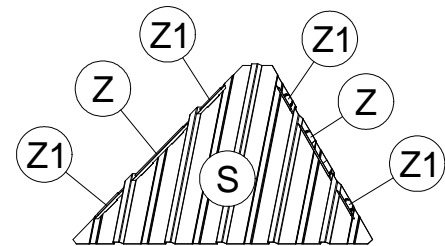
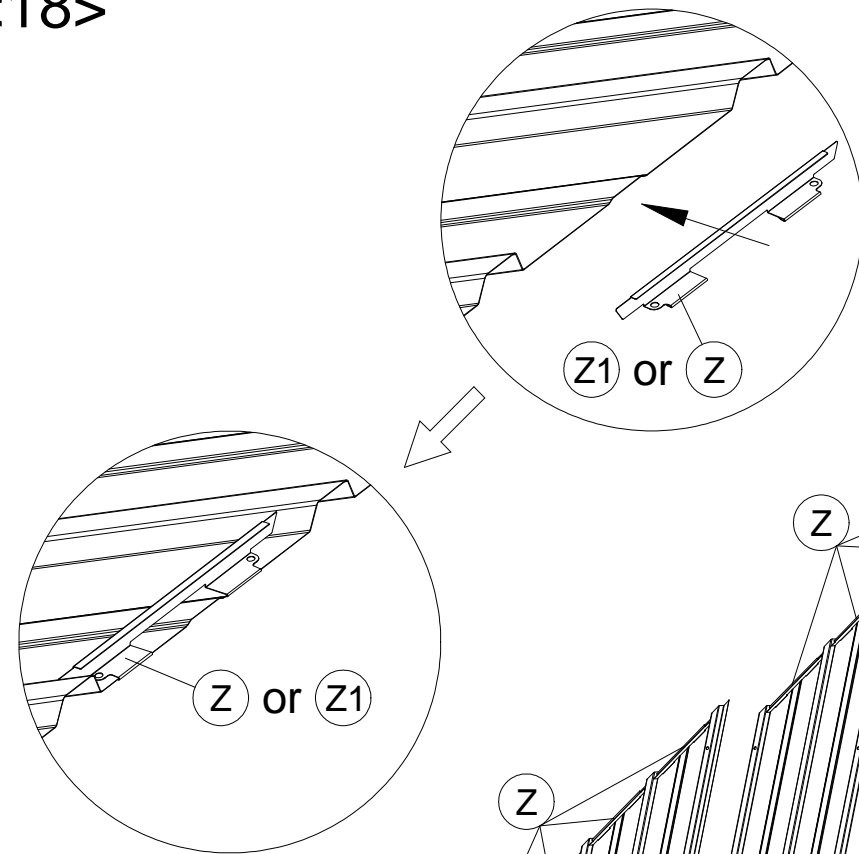
# STEP 3

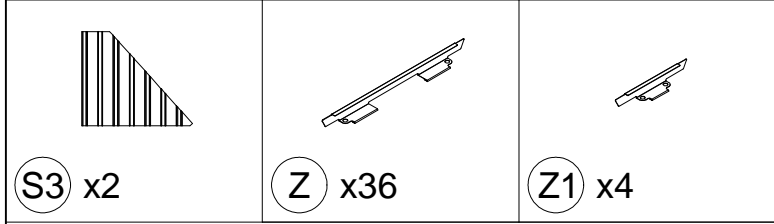
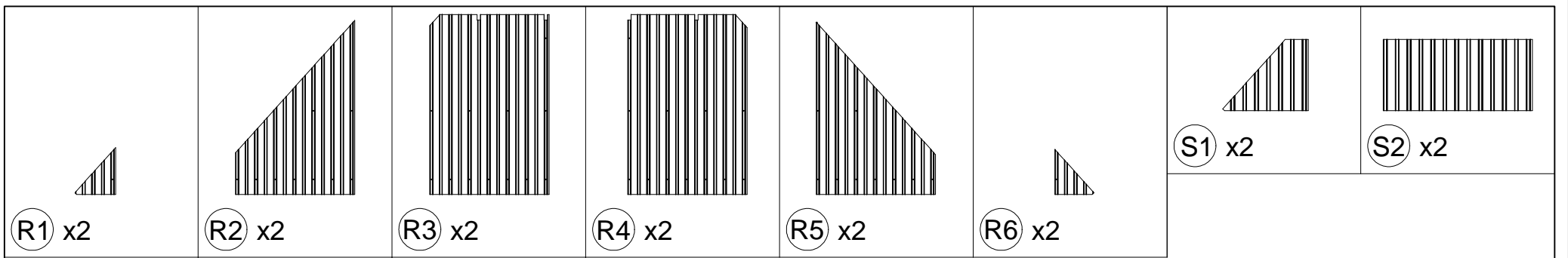


Tips: When installing the screws, don't tighten them all the way first, just roughly hold them in place, and when you're sure that all the parts are installed, then you can tighten the screws to secure the frame.

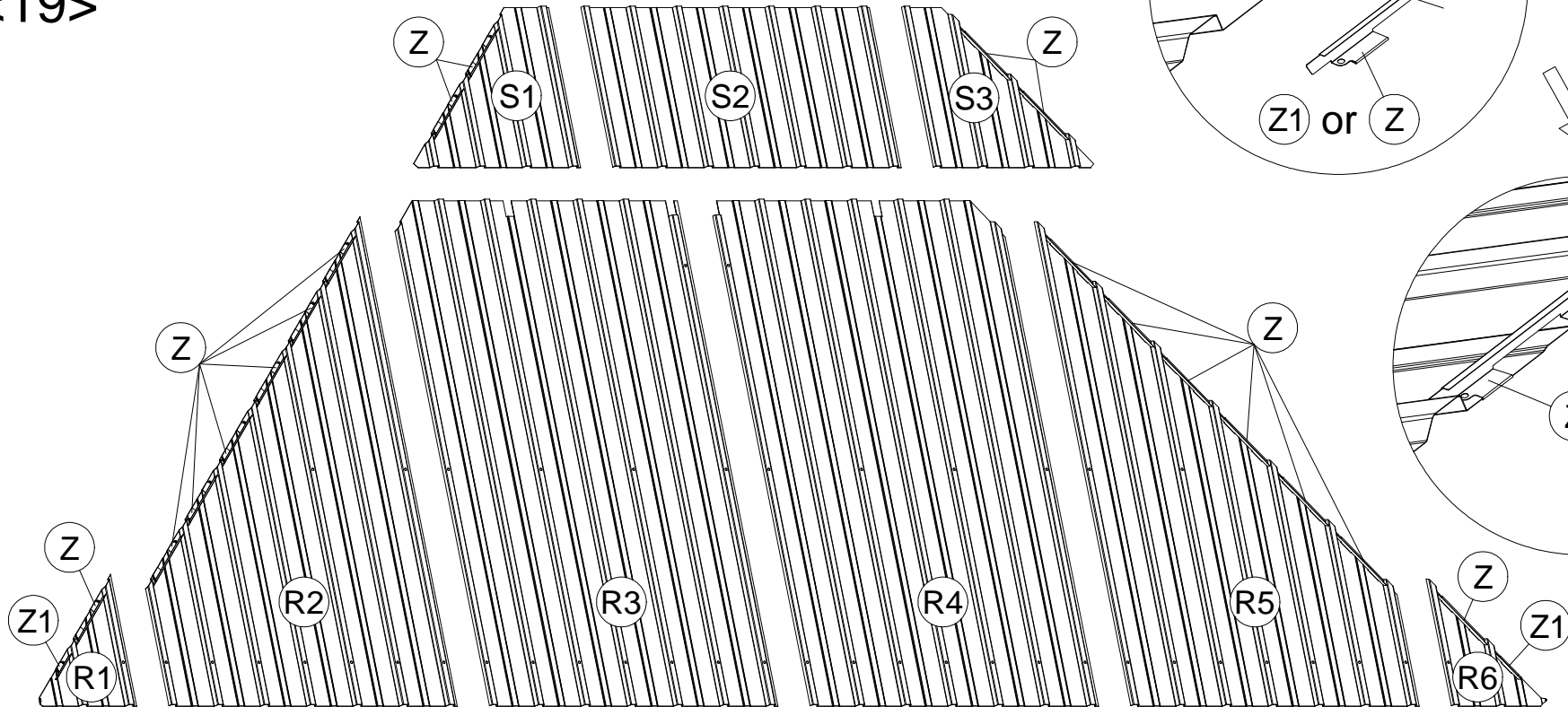


<18>

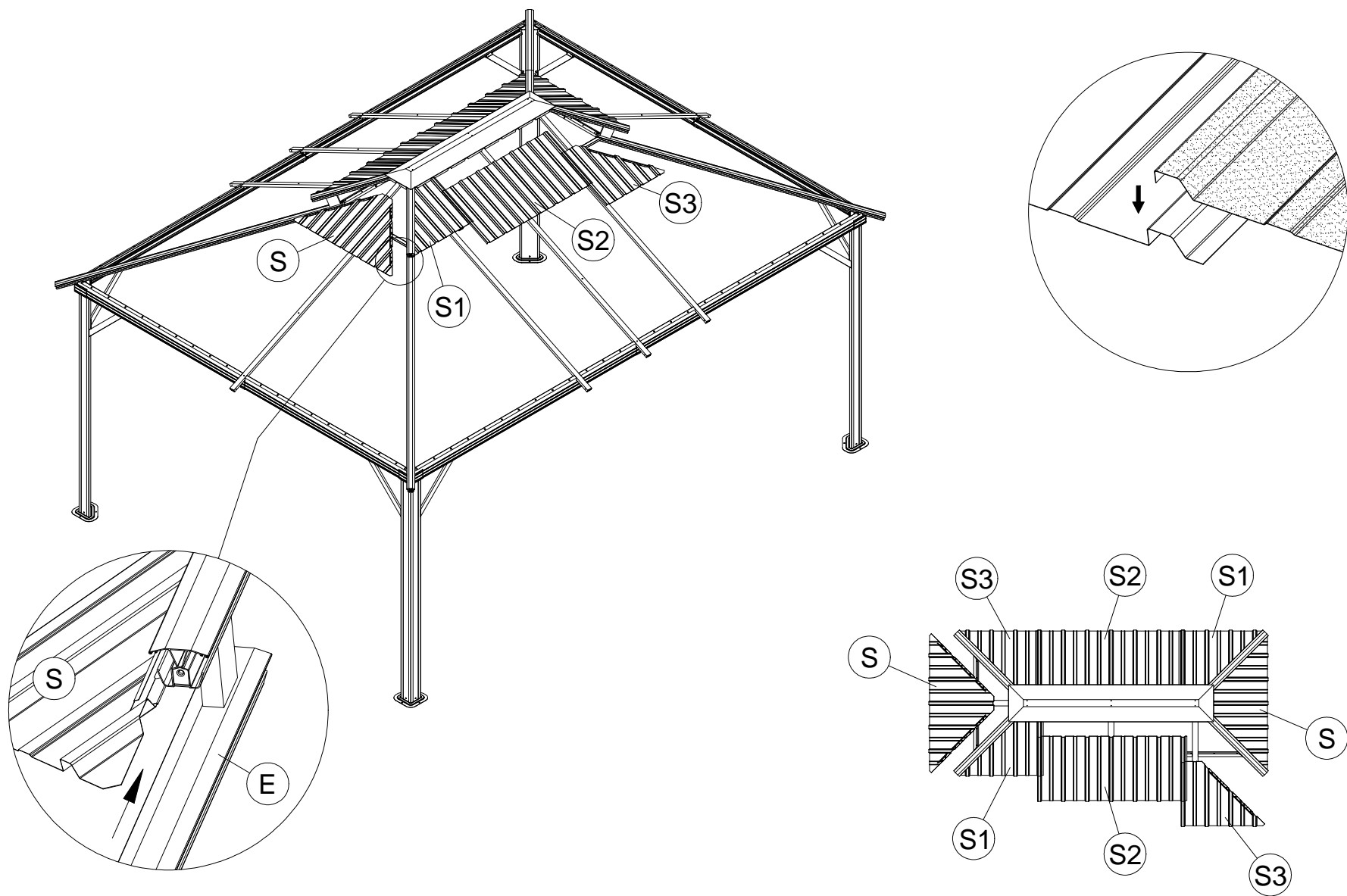




<19>



<20>







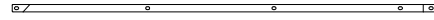
F x4



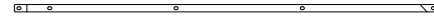
F1 x2



F2 x2



F3 x2



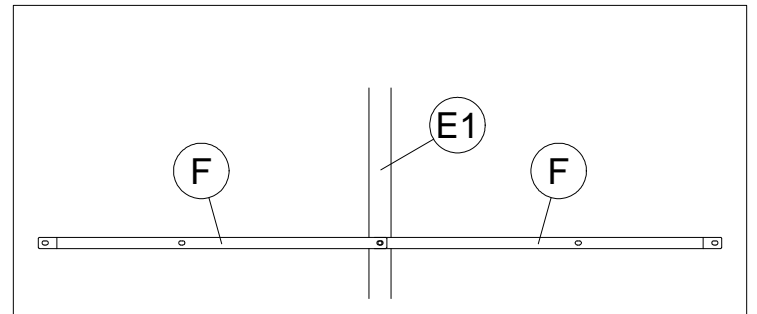
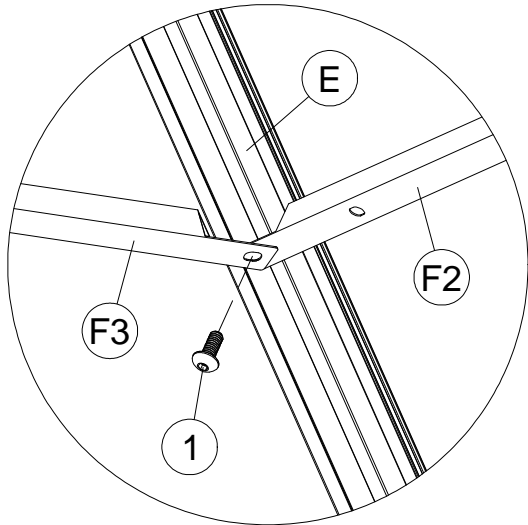
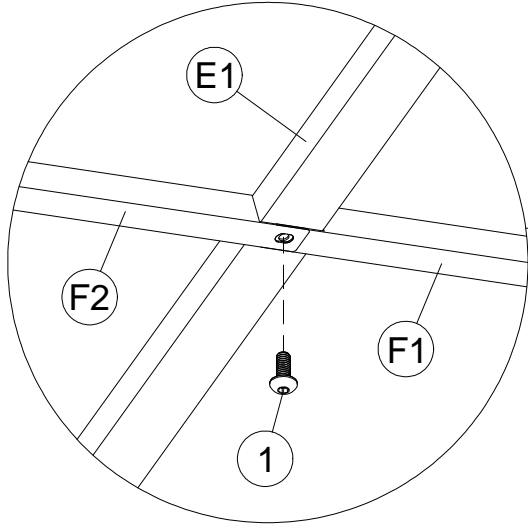
F4 x2



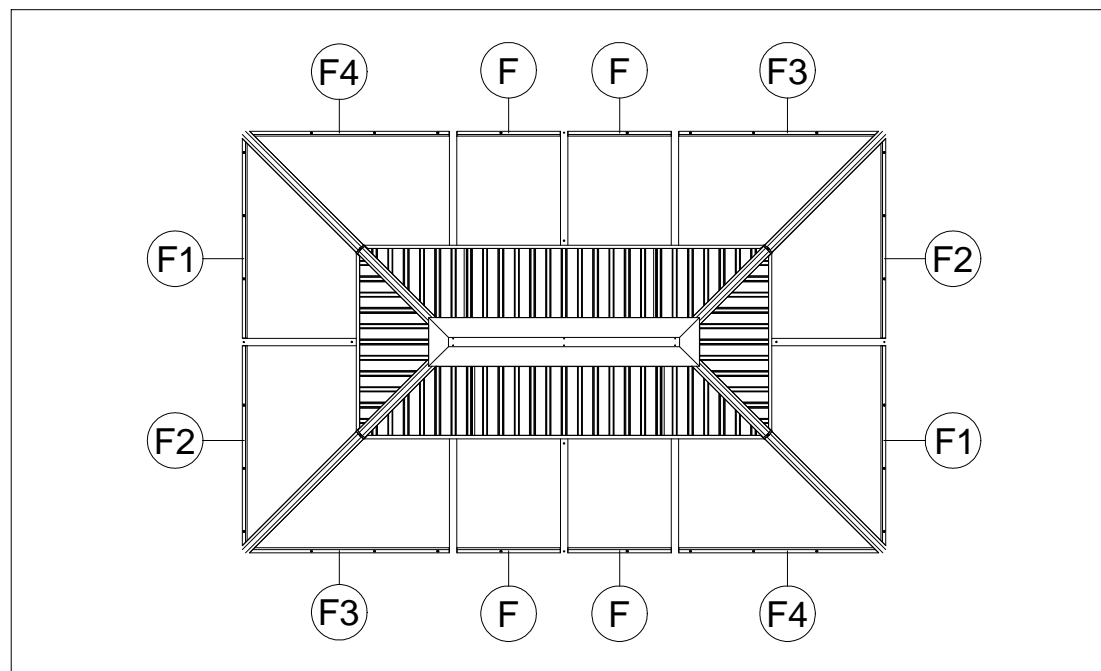
M6x15

1 x12

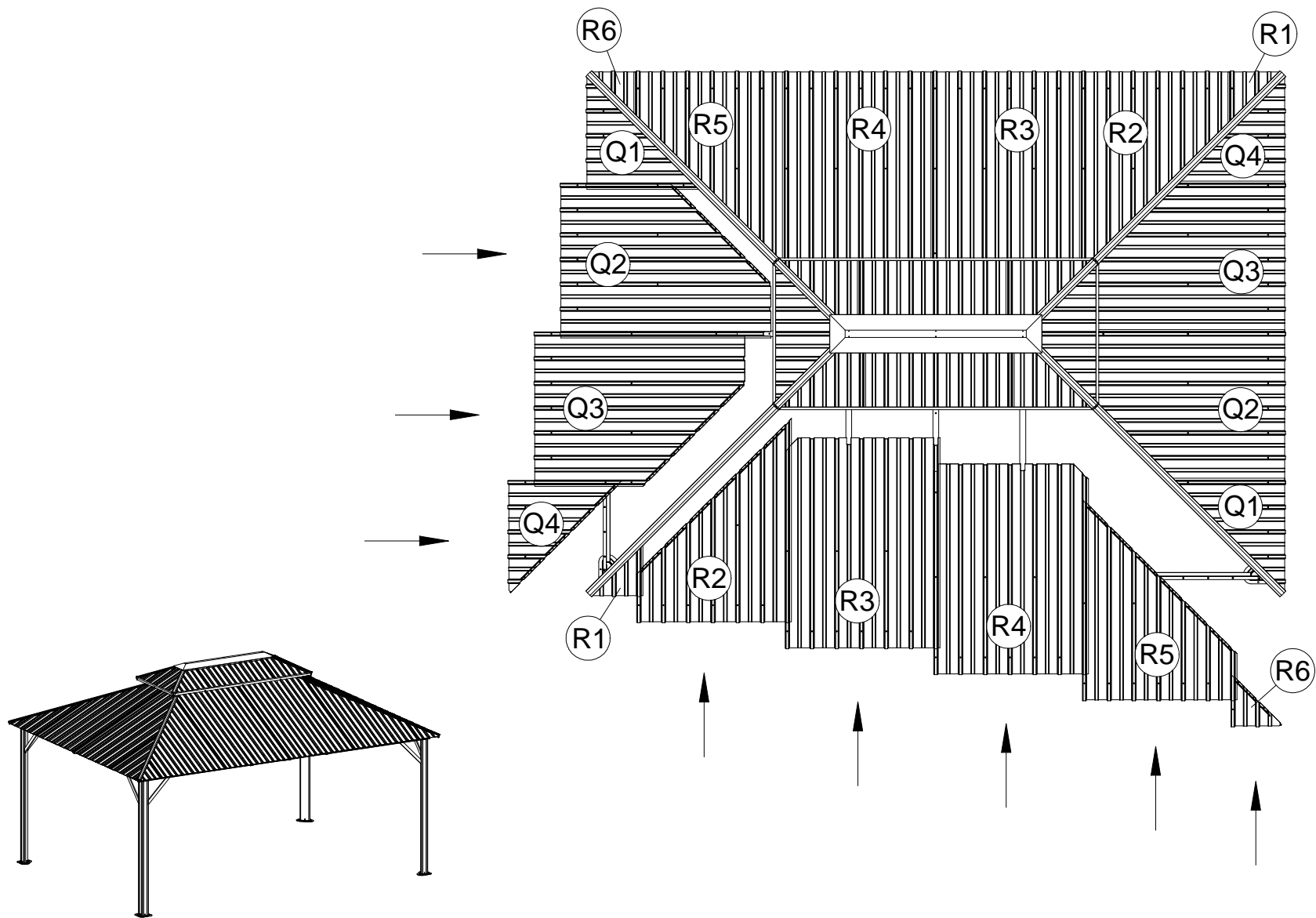
<22>



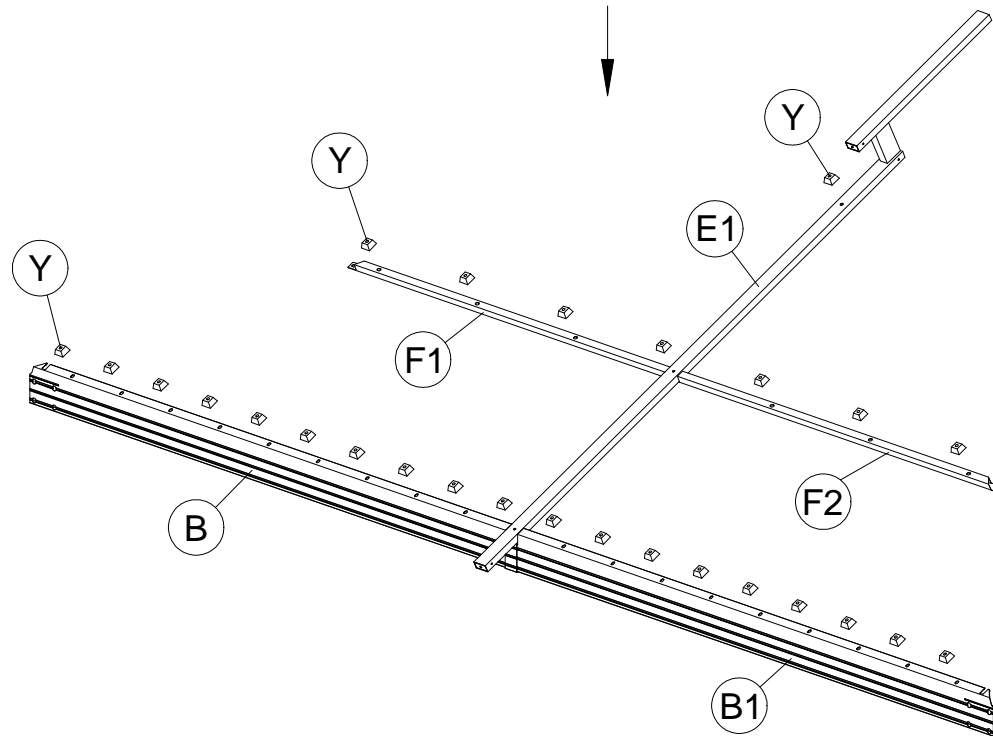
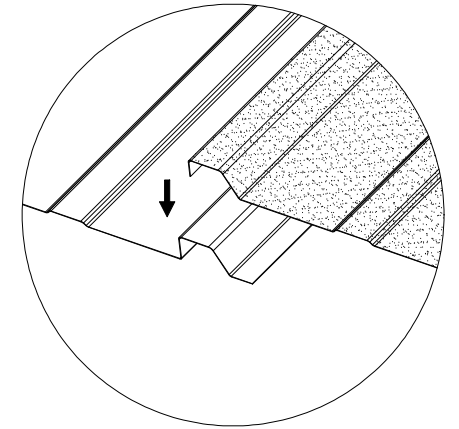
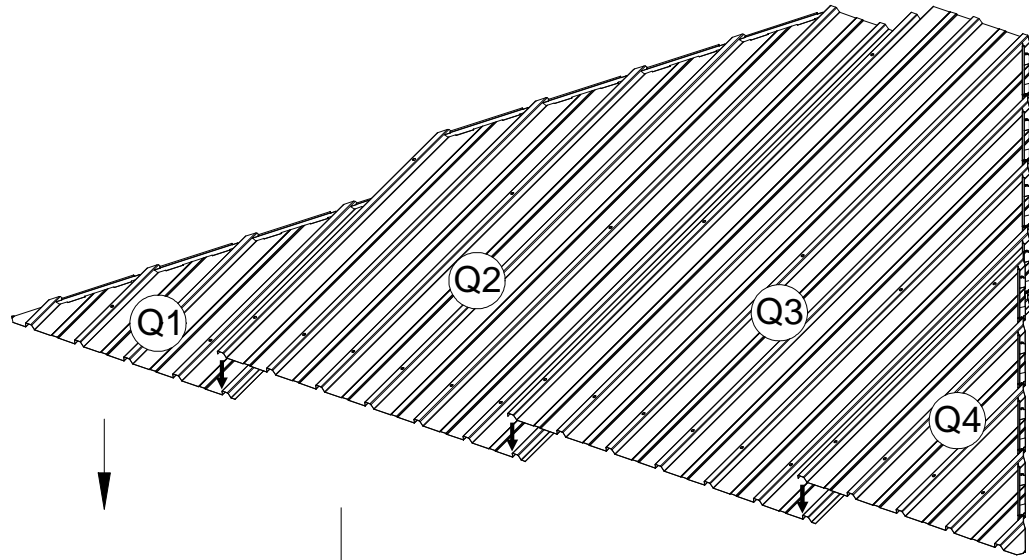
<23>



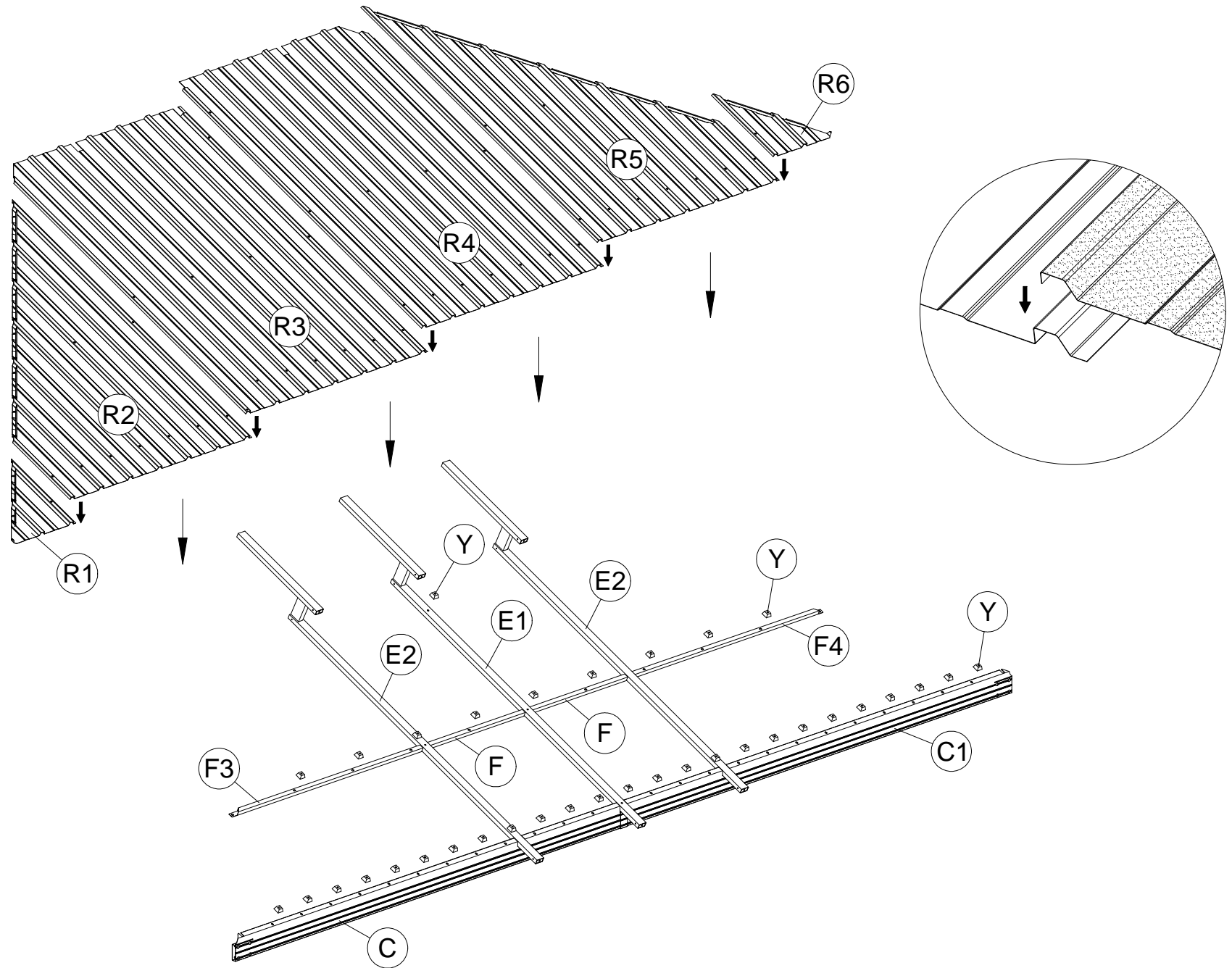
<24>



<25>



<26>

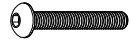




8x



84x



M6x23

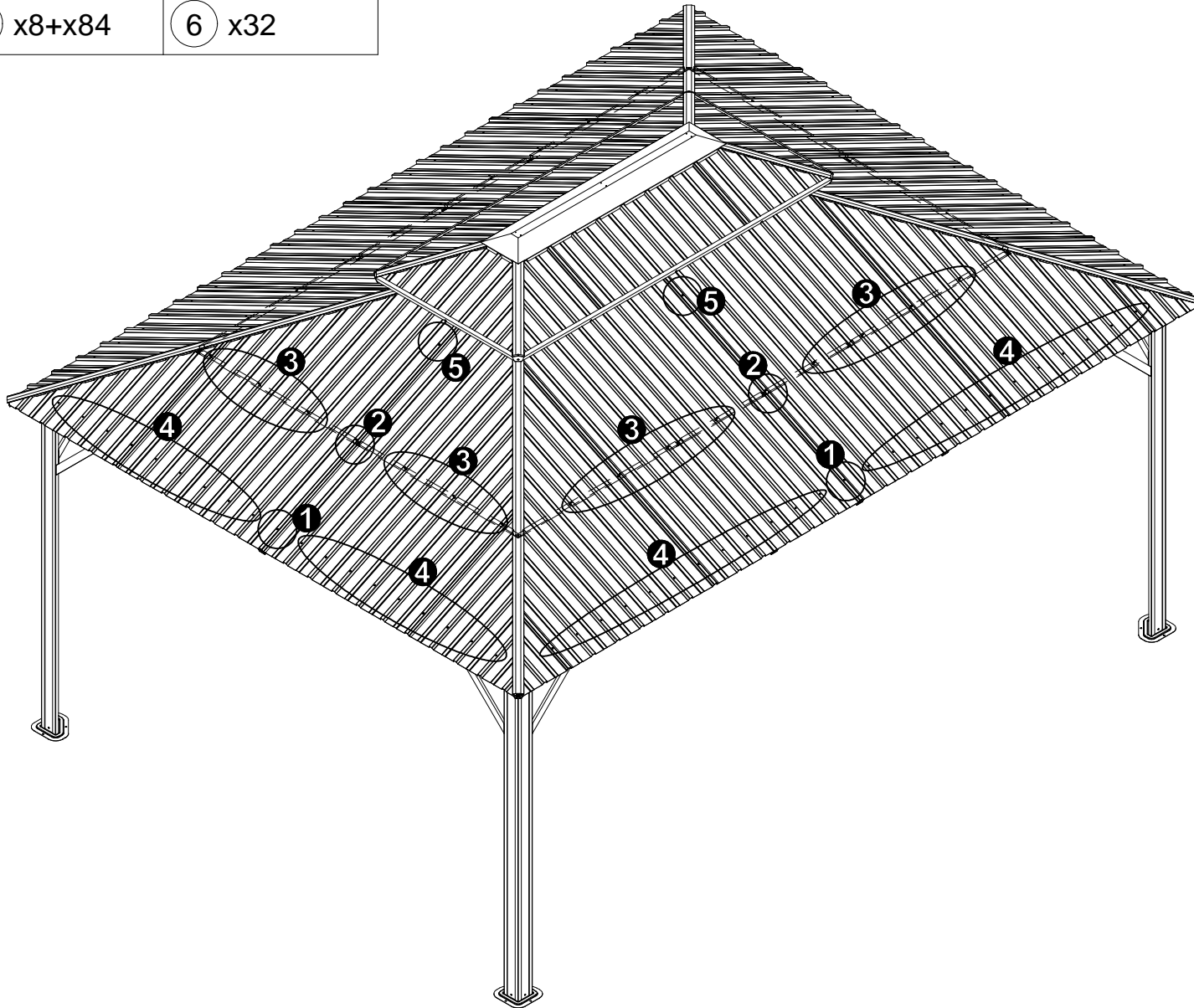
M6x42

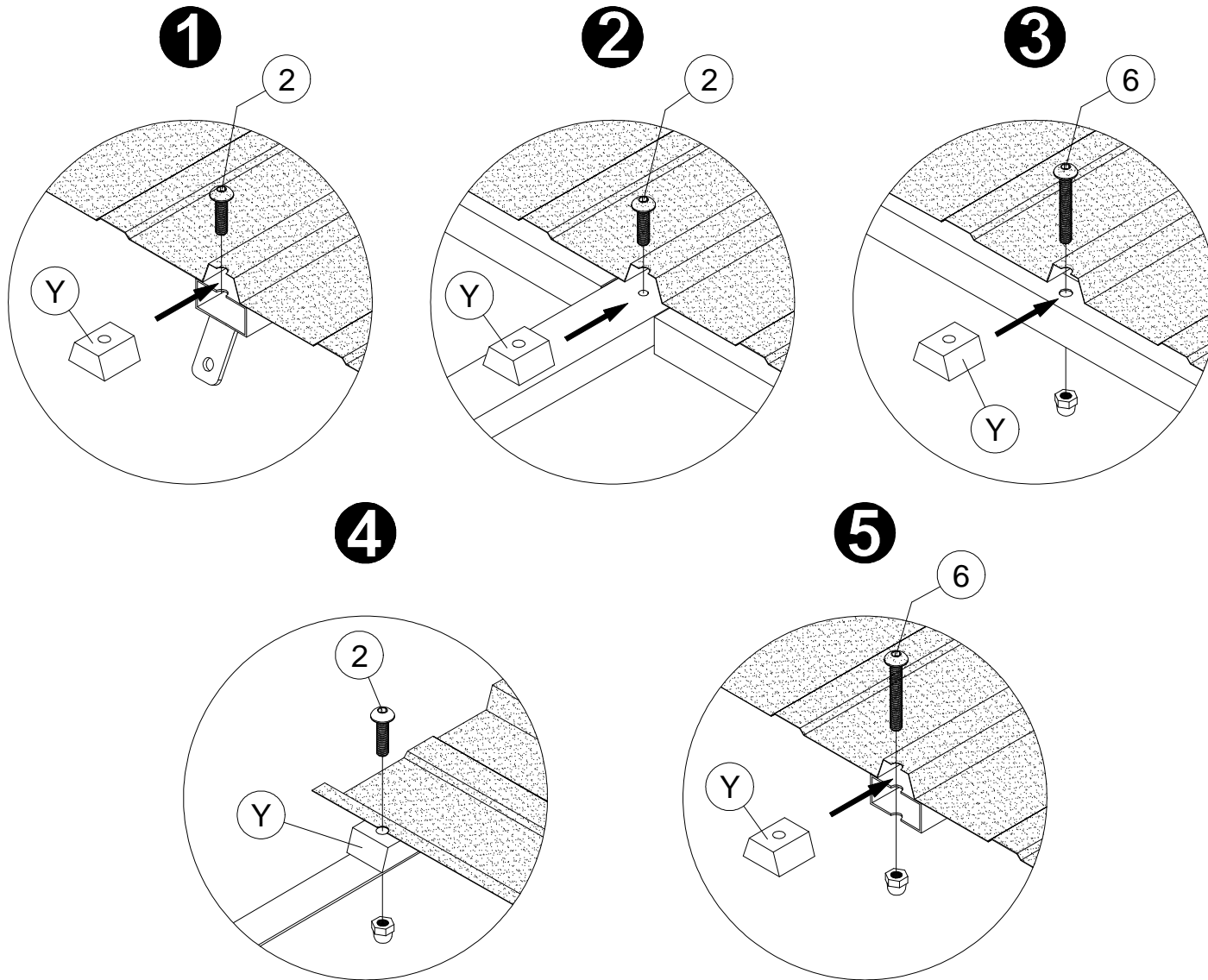
Y x124

2 x8+x84

6 x32

<27>







G1 x4



G2 x4



G x2



N x4



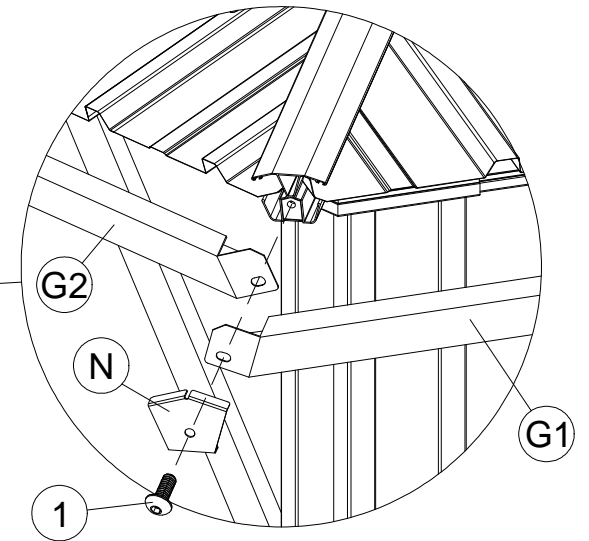
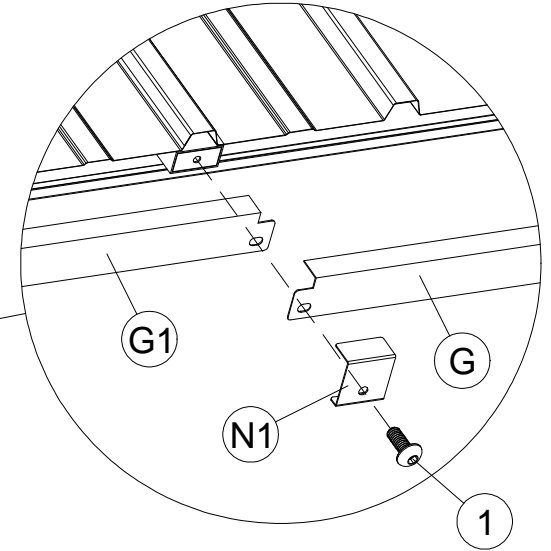
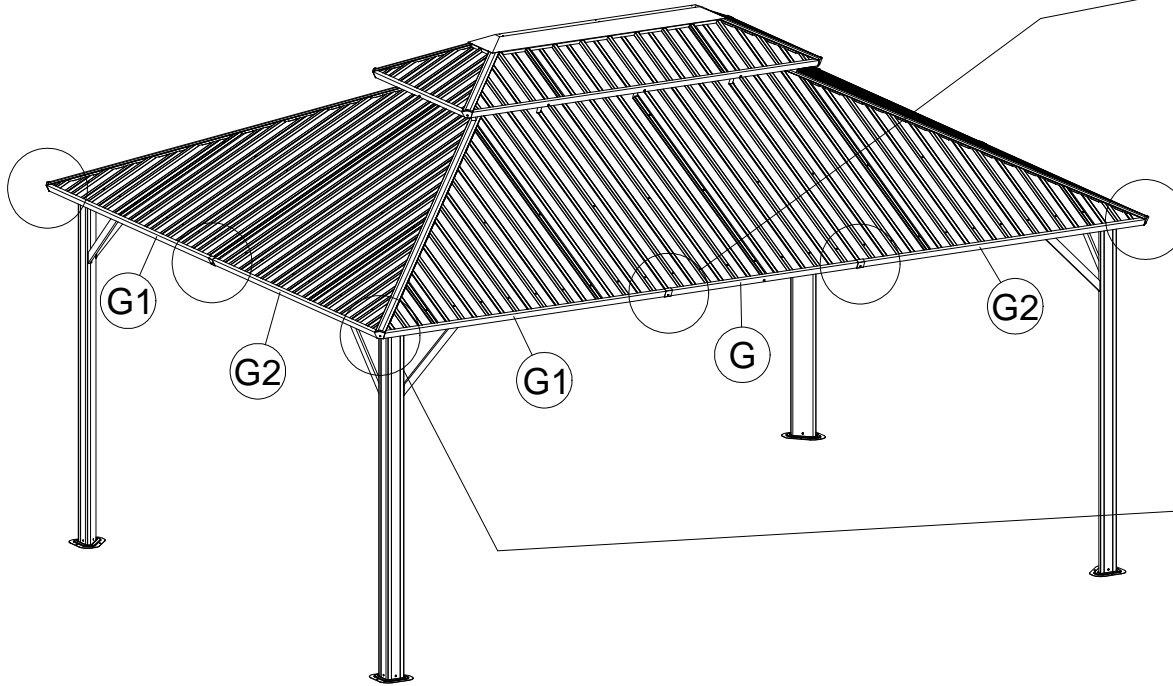
N1 x6



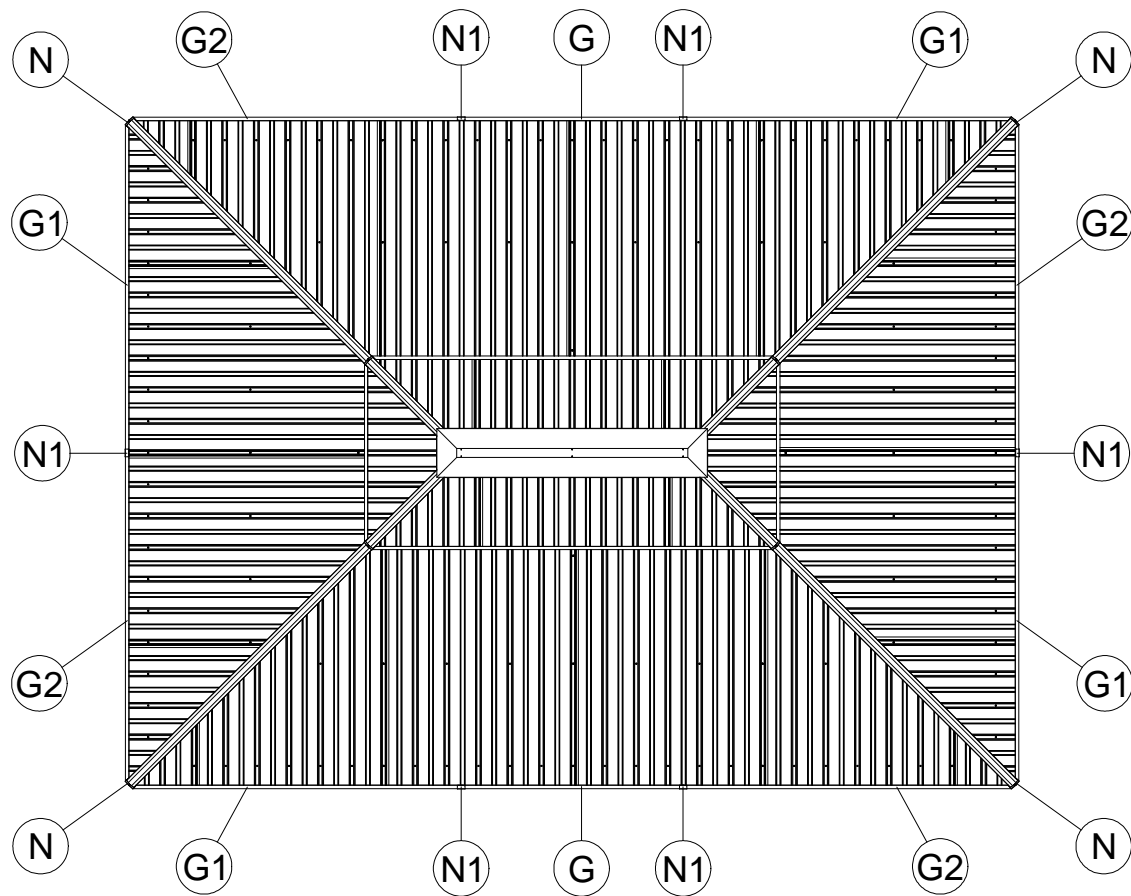
M6x15

1 x12

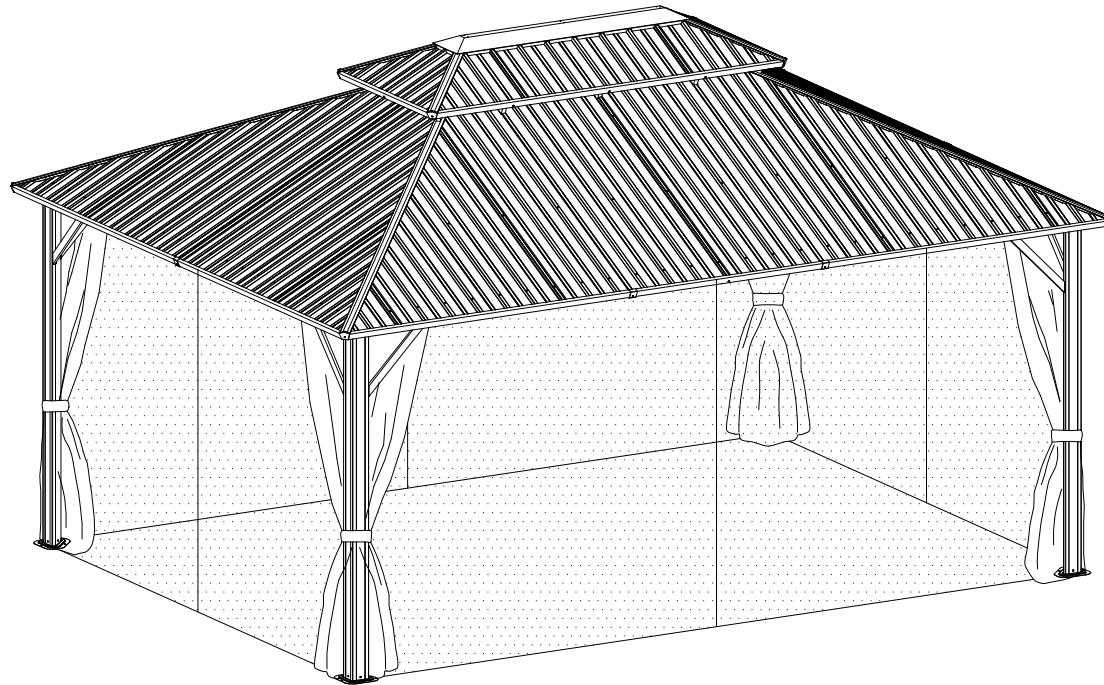
<29>



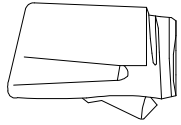
<30>



# STEP 4

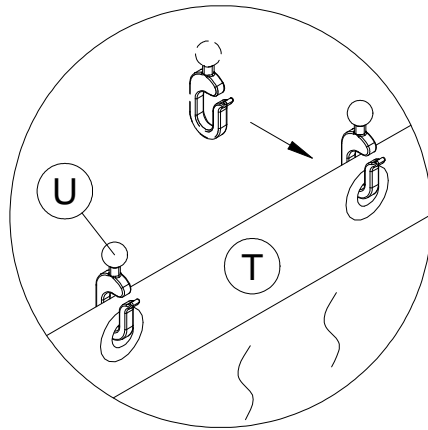
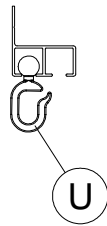


Tip: Be sure to hang the nettings on the inside track and the privacy curtains on the outside track

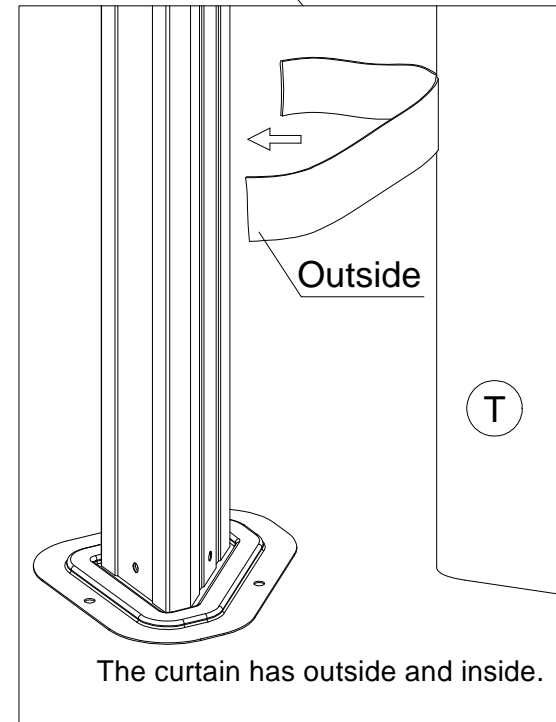
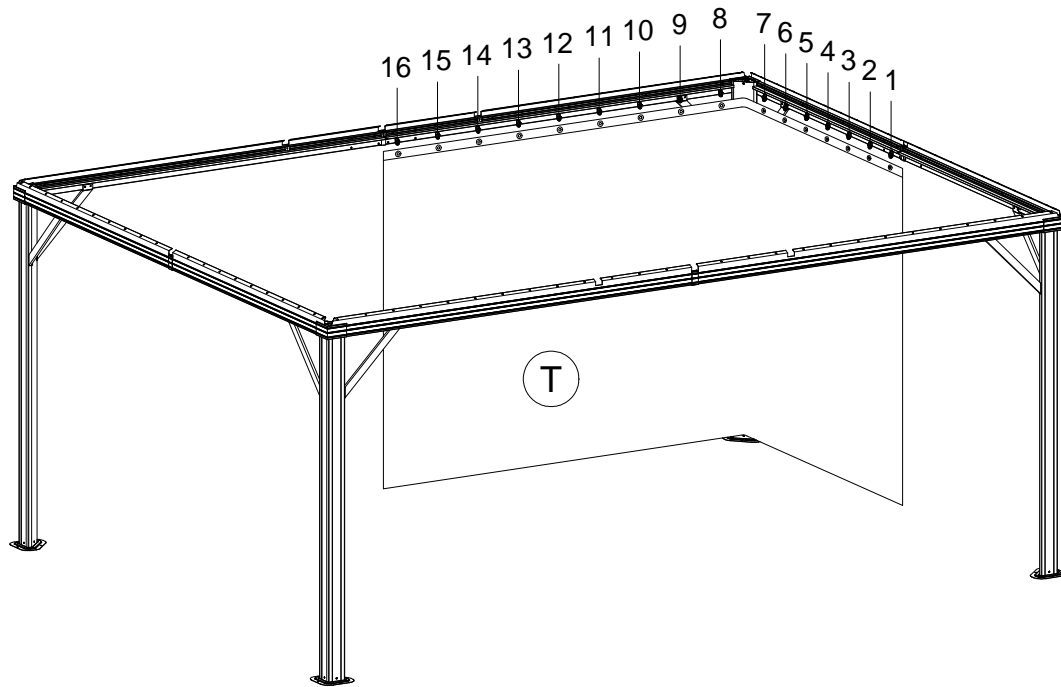
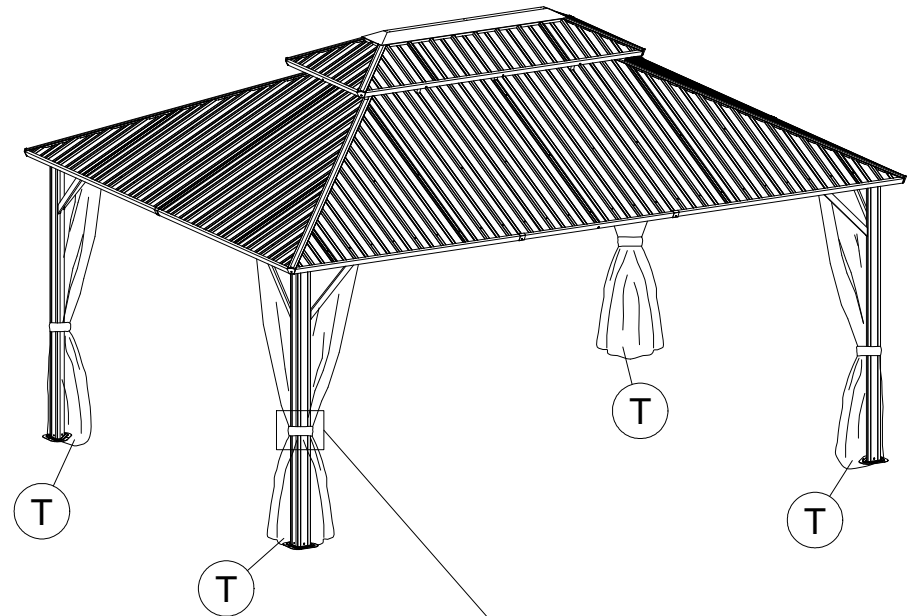


T x4

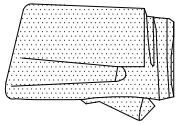
<31>



Tips: When installing curtains, you can first find the tie for the curtain, and then hang the curtain according to the hole number on the left and right sides of the tie.

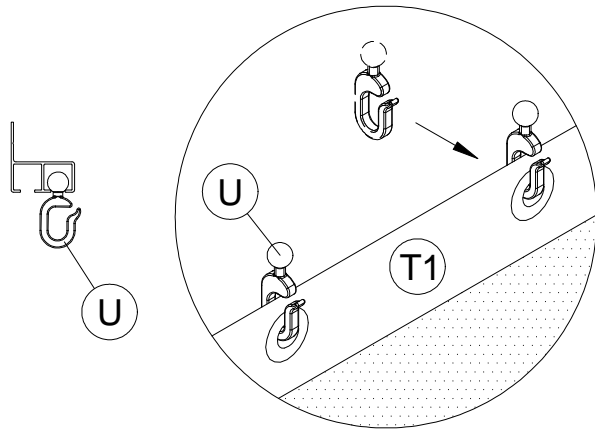


The curtain has outside and inside.

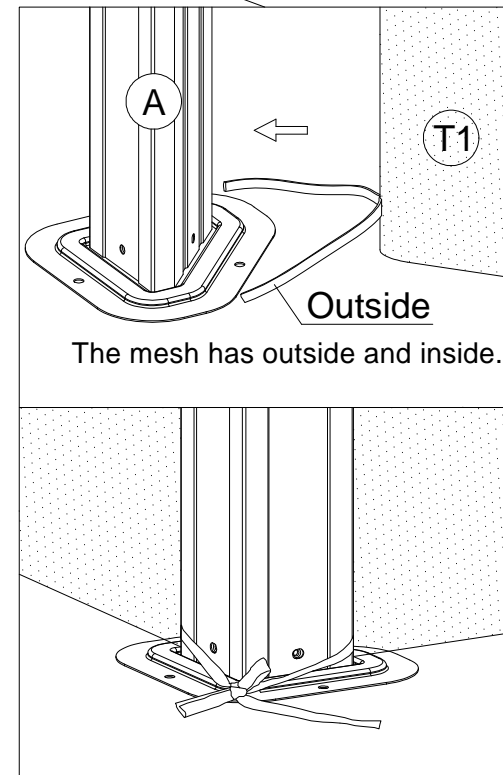
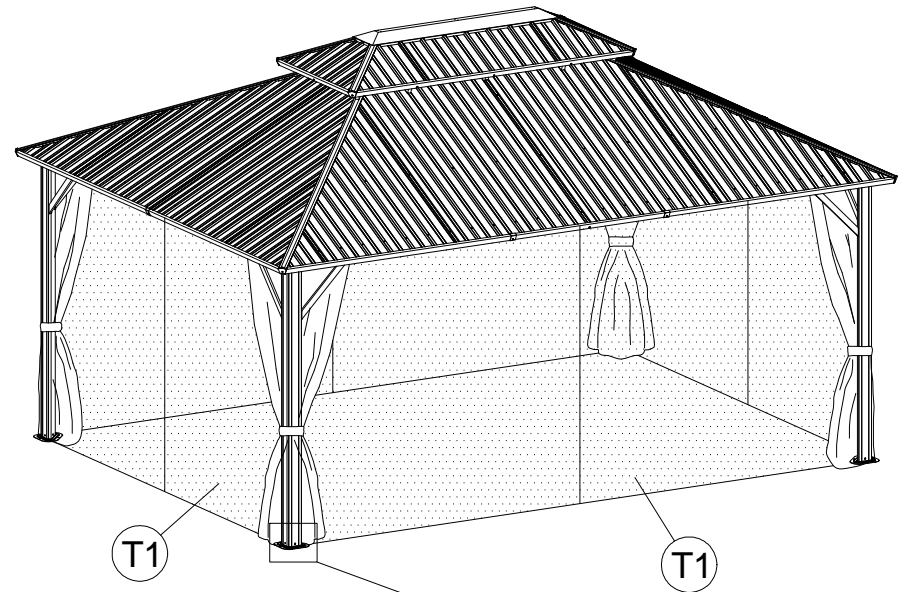
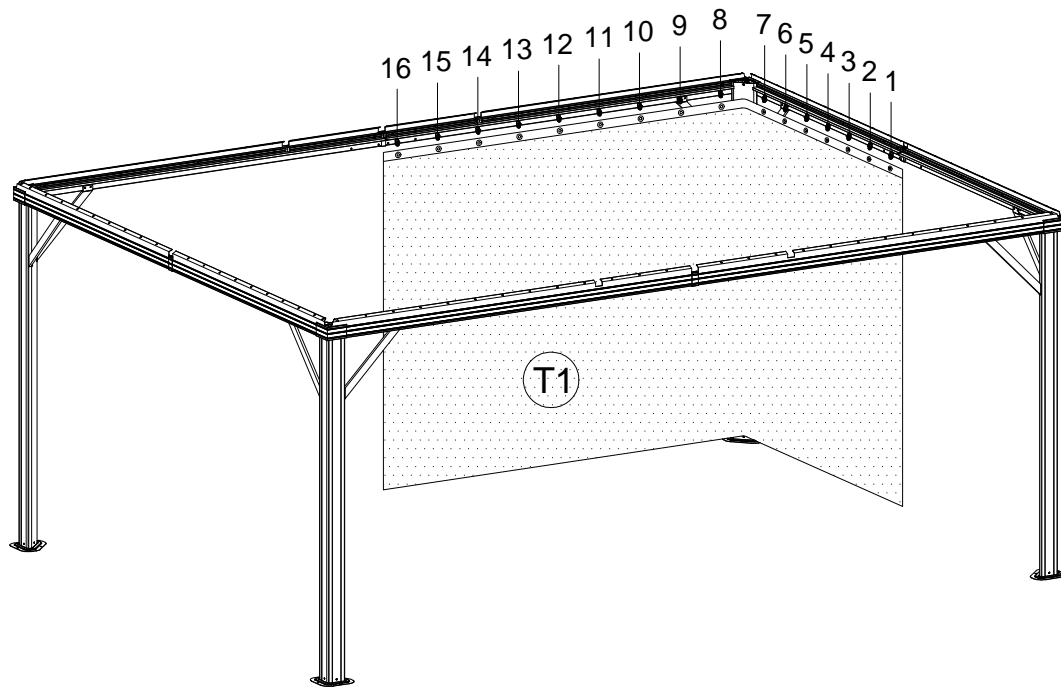


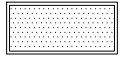
T1 x4

<32>



Tips: When installing nettings, you can first find the tie for the netting, and then hang the netting according to the hole number on the left and right sides of the tie.



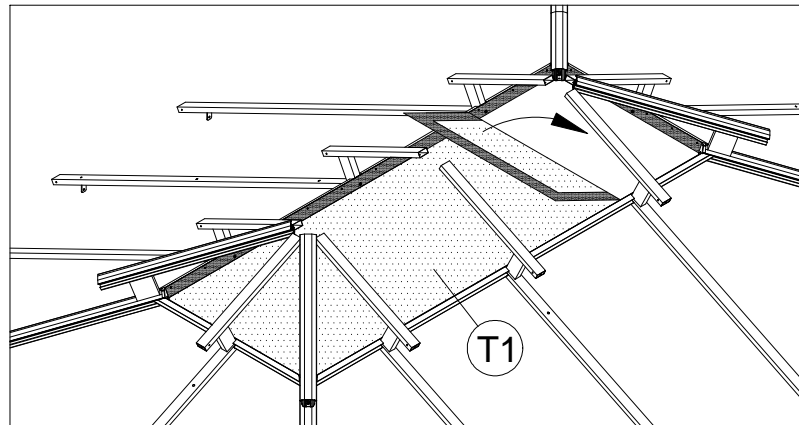
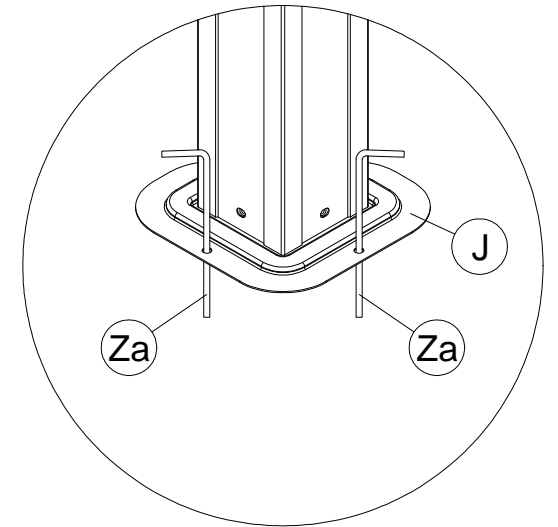
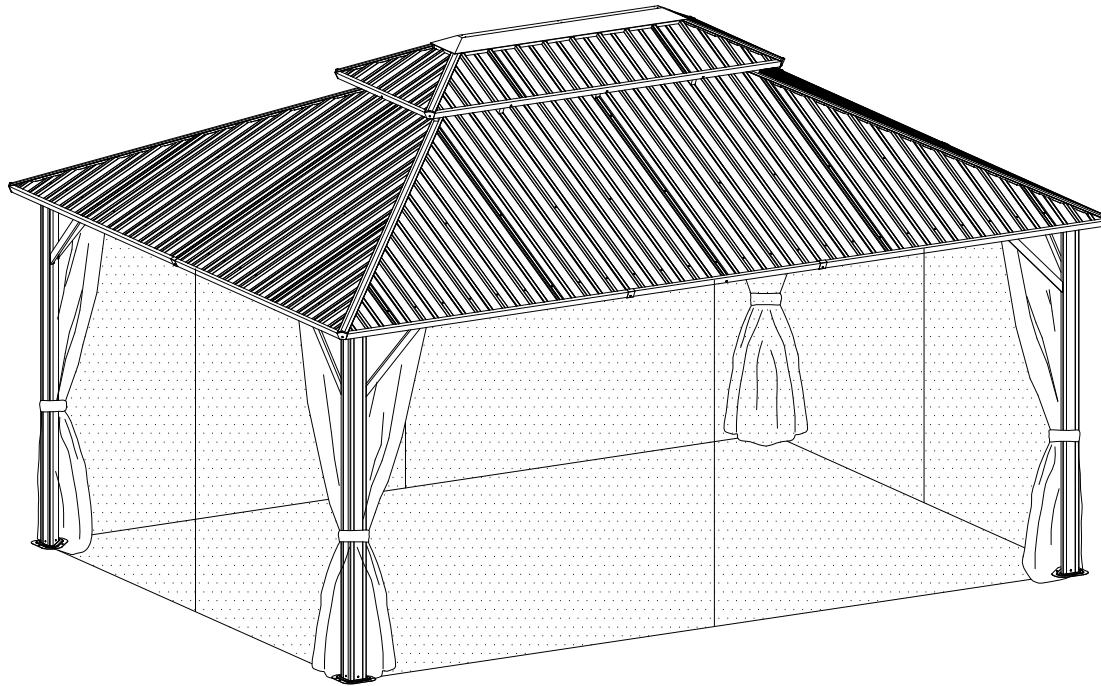


T1 x1



Za x12

<33>



# DANCOVER<sup>®</sup>

.com

## Contact information

Austria



Belgium



Croatia



Denmark



Estonia



Finland



France



Germany



Ireland



Italy



Latvia



Lithuania



Nederland



Norway



Poland



Portugal



Spain



Sweden



Switzerland



UK



For more information please visit: [www.dancovershop.com](http://www.dancovershop.com)