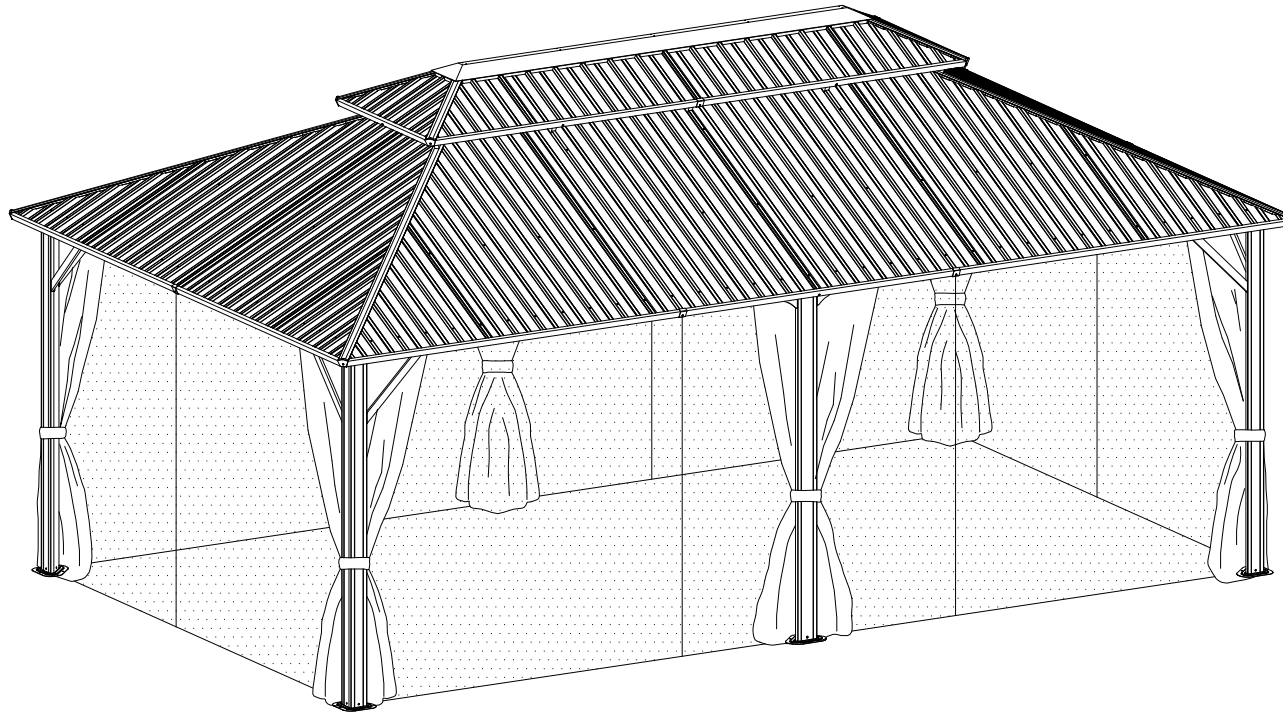


CosyLifeStyle[®]

Manual
for
Gazebo Santa Fe
3,65x6m

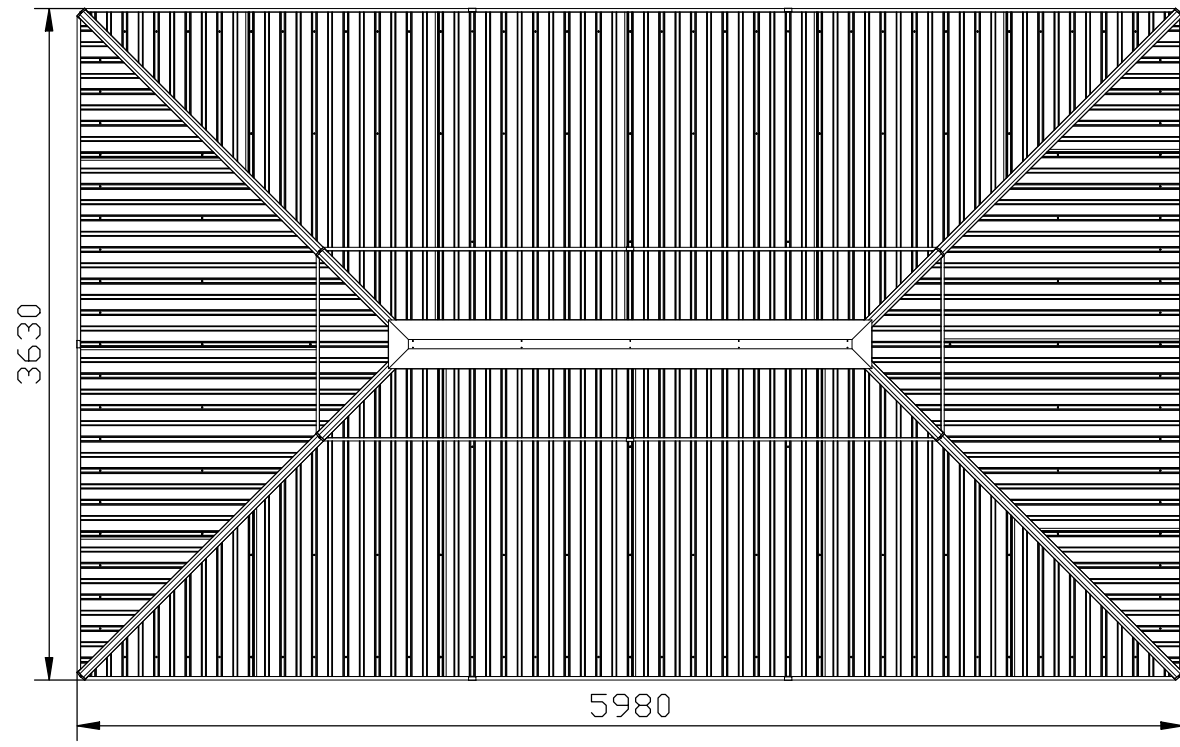
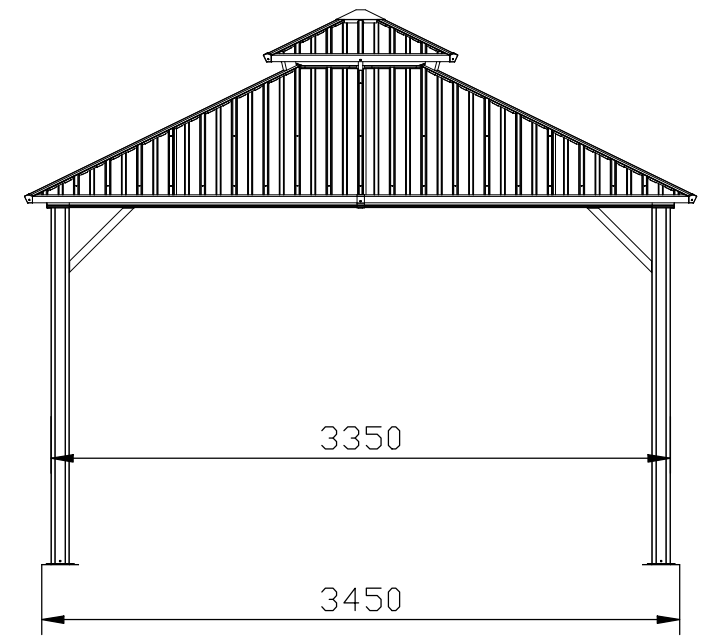
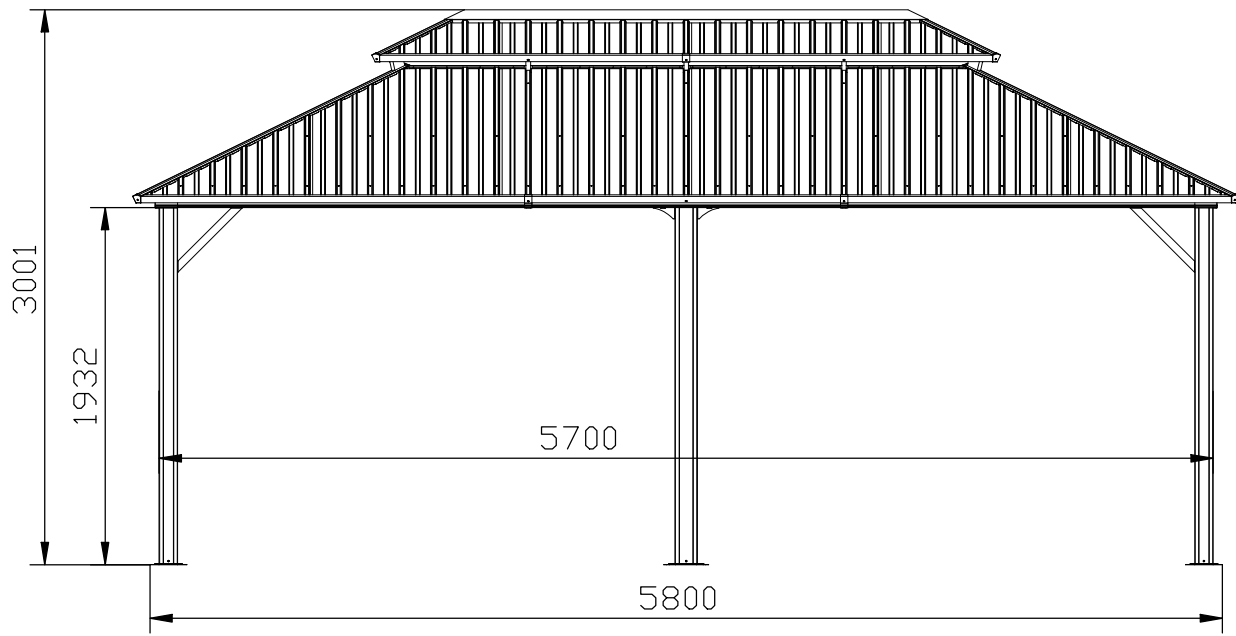
3.65 x 6 M

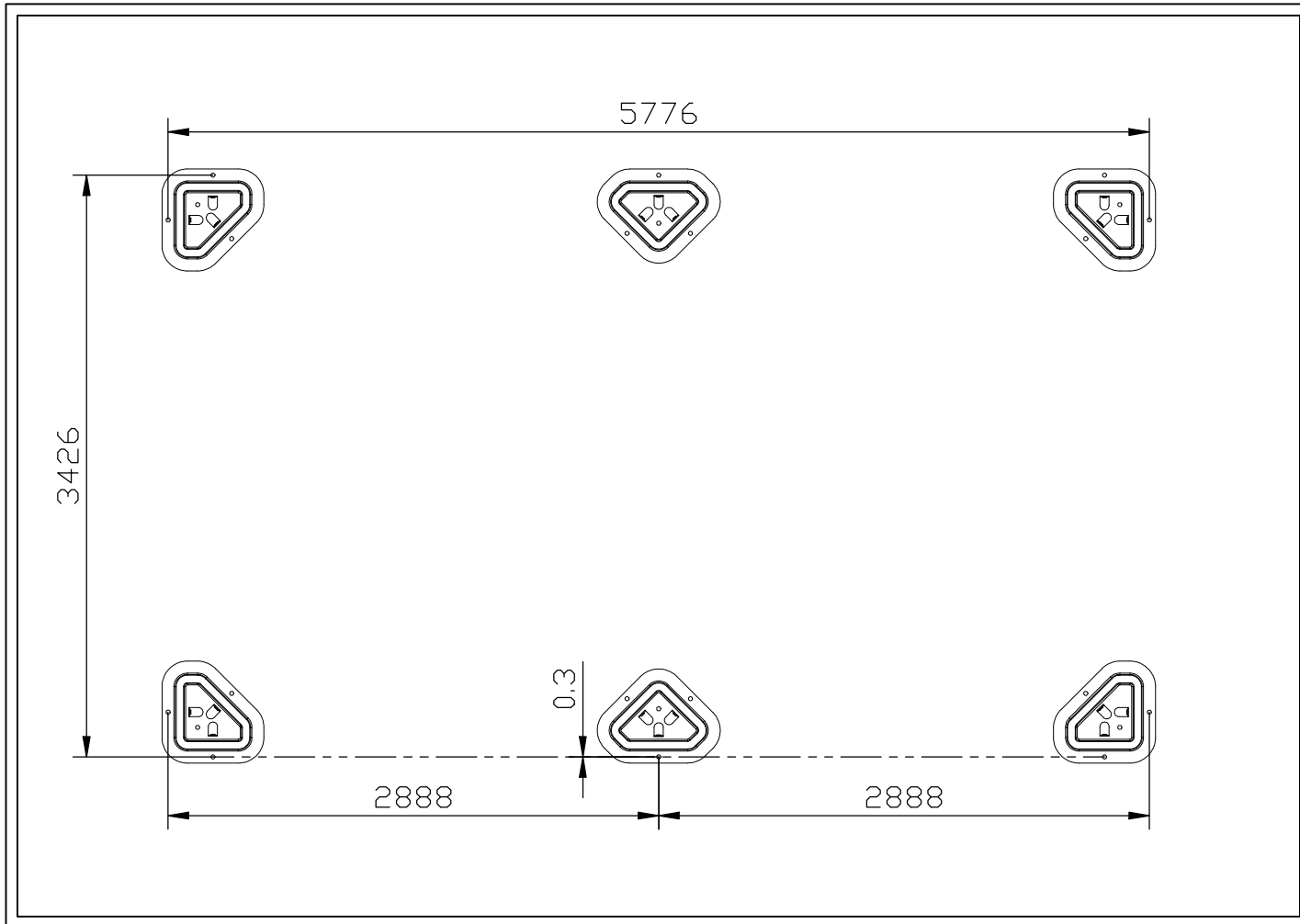


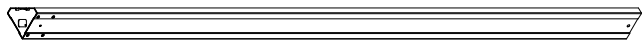
Assembly requires at least 3 people working together

REQUIRED TOOLS

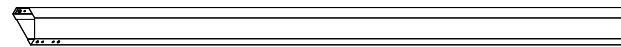




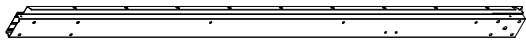




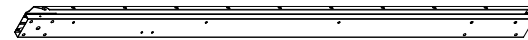
(A) x4



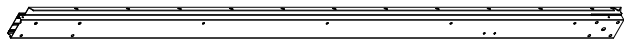
(A1) x2



(B) x2



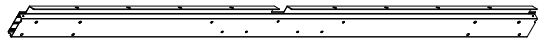
(B1) x2



(C) x2



(C1) x2



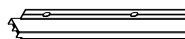
(E2) x2



(D) x2



(D1) x2



(D2) x2

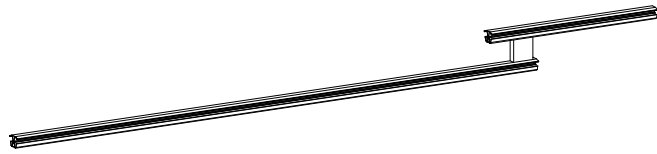


(D3) x2

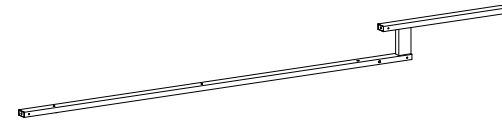


(D4) x2

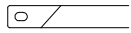
Ⓔ x4



Ⓔ1 x8



Ⓕ1 x2



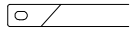
Ⓕ2 x2



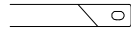
Ⓕ x4



Ⓕ3 x2



Ⓕ4 x2



Ⓕ1 x2



Ⓕ2 x2



Ⓕ3 x2



Ⓕ4 x2





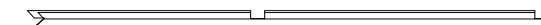

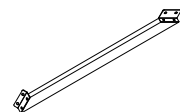
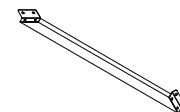
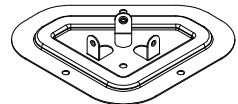
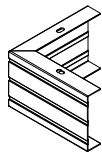


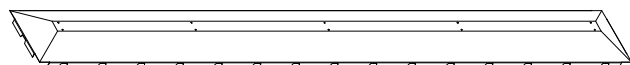
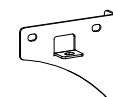
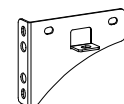
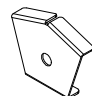
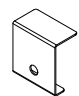
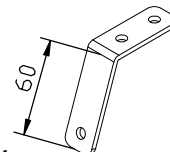
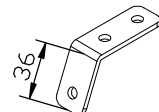
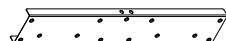


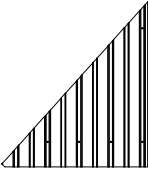
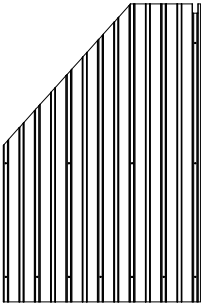
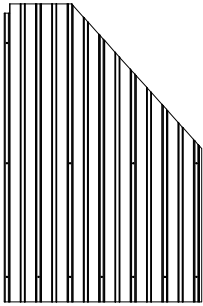
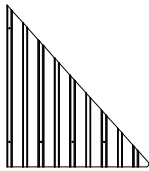
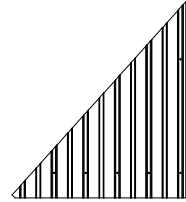
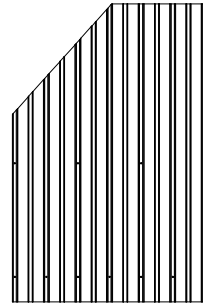
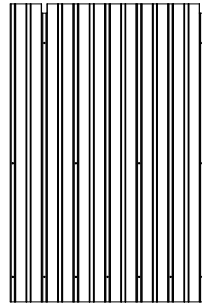
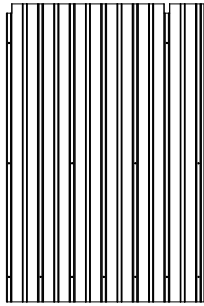
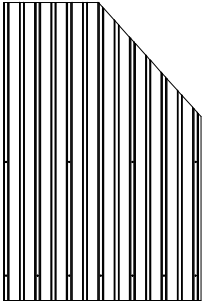
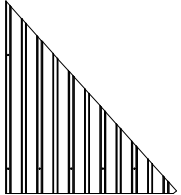
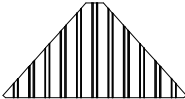
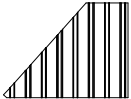
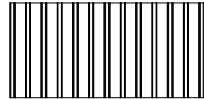
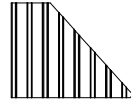

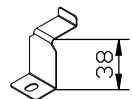
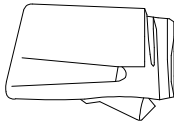
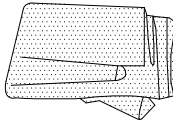
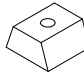
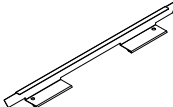
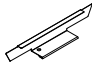
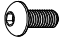
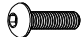




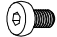


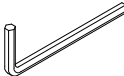
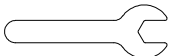
Ⓕ x2



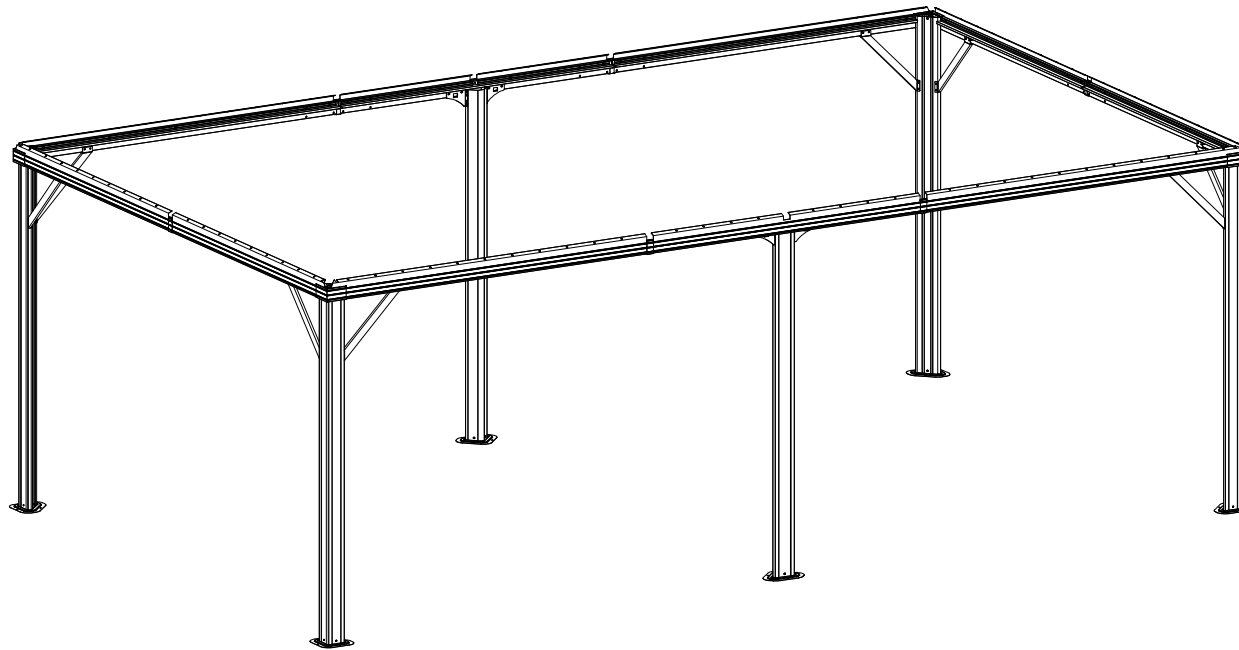
Ⓕ5 x2



			
G6 x2		G7 x2	
			
G8 x2	G9 x2	G10 x2	
			
H x3	H1 x4	H2 x4	J x6
			
K x4	K1 x6	L x1	
			
M x1		U1 x2	U2 x2
			
N x12	N1 x8	N2 x4	N3 x8
			
P x6			

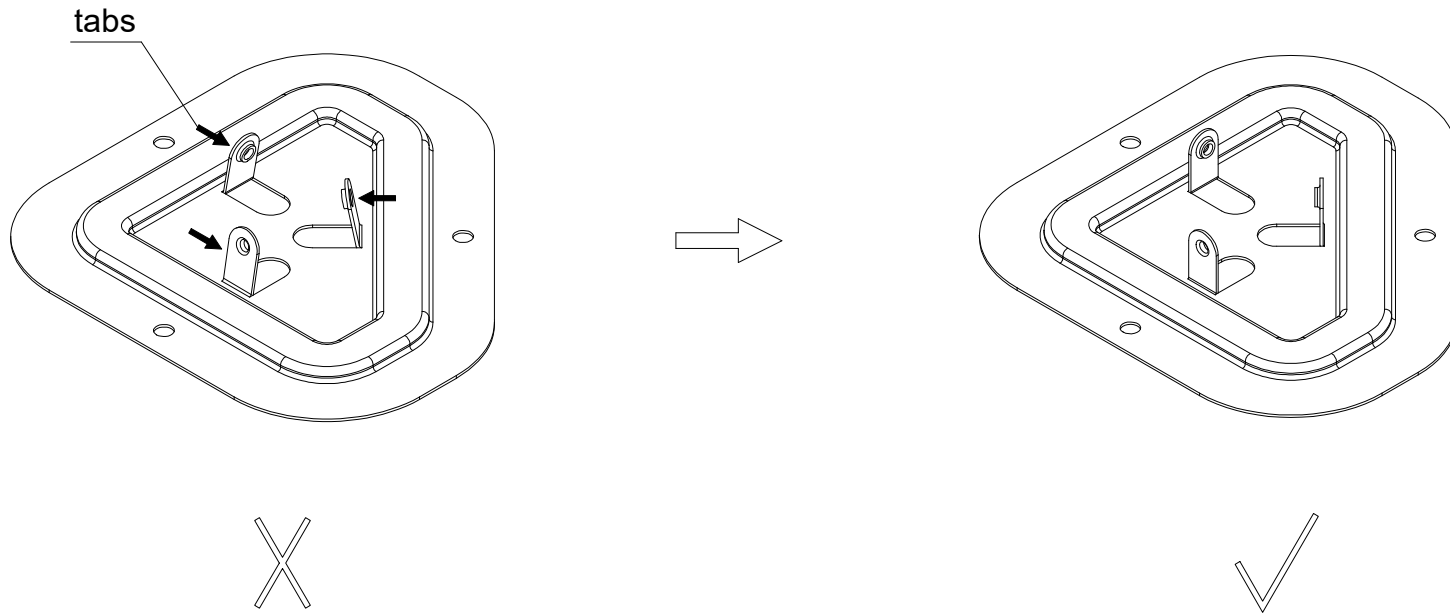
 Q1 x2	 Q2 x2	 Q3 x2	 Q4 x2	 R1 x2	 R2 x2	 R3 x2	 R4 x2
 R5 x2	 R6 x2	 S x2	 S1 x2	 S2 x4	 S3 x2	 U x152	 V x6
 T x4+x2	 T1 x4+x2+x1	 Y x152	 Z x76	 Z1 x12			
 1 x235 M6x15	 2 x12+x96 M6x23	 3 x38 M5x12	 4 x28 ST4.8x12	 5 x3			
 6 x44 M6x42	 7 x32 M6x10	 8 x6 M6x50	 Za x18	 x1			
				 x1			

STEP 1



Tips: When installing the screws, don't tighten them all the way first, just roughly hold them in place, and when you're sure that all the parts are installed, then you can tighten the screws to secure the frame.

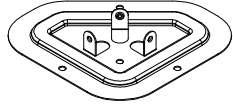
<1>



Tips: If the tabs on the base are crooked, you can use pliers to straighten them for easy screw installation



A x4



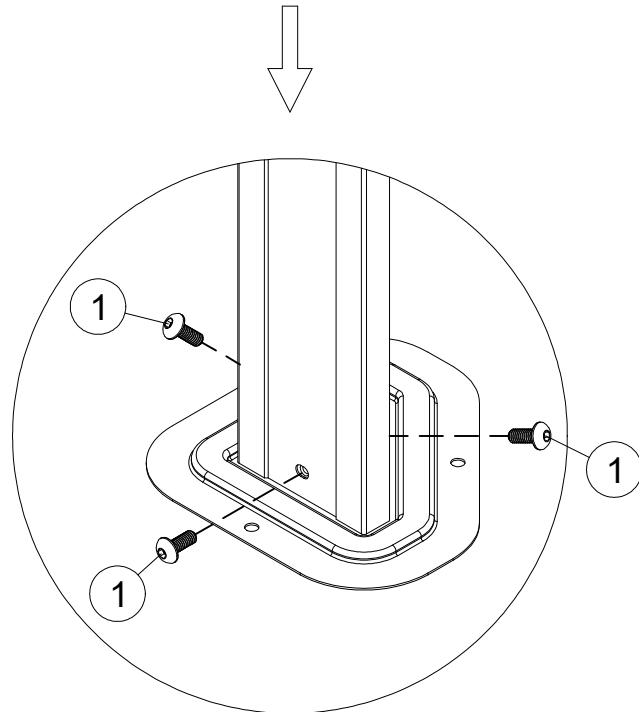
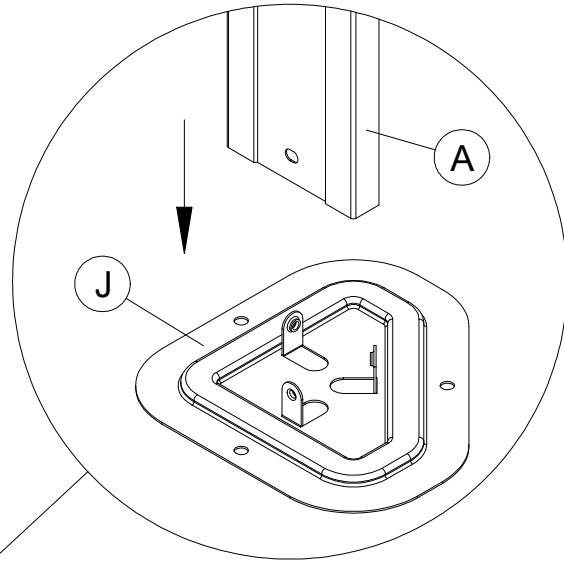
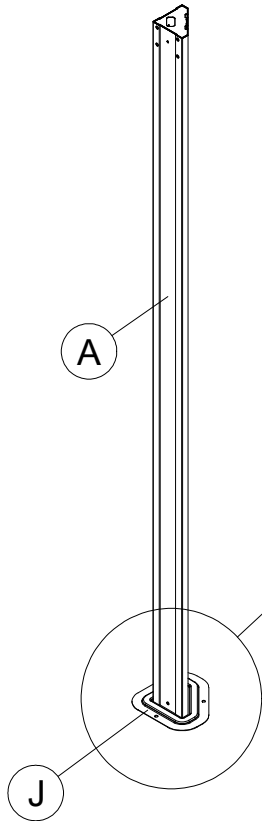
J x4

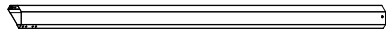


M6x15

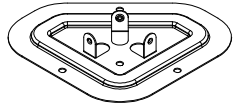
1 x12

<2>





A1 x2



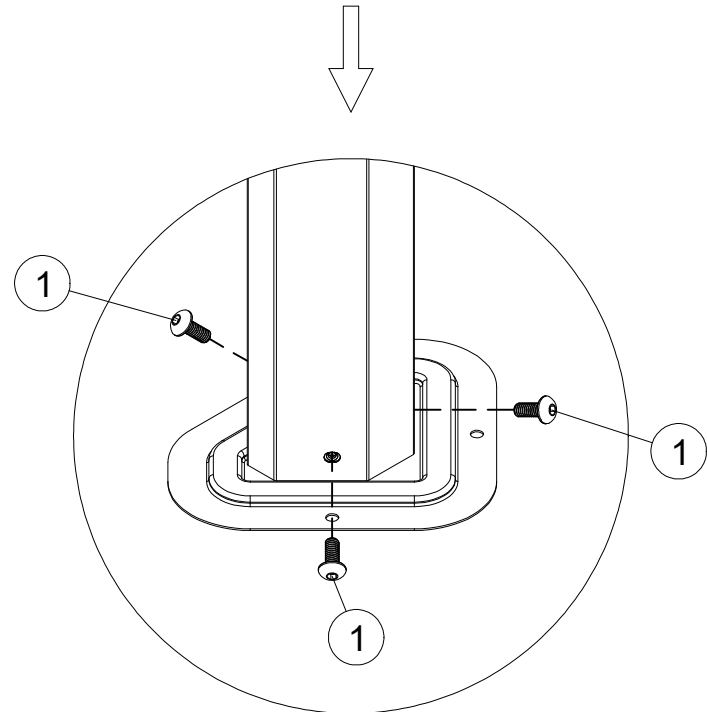
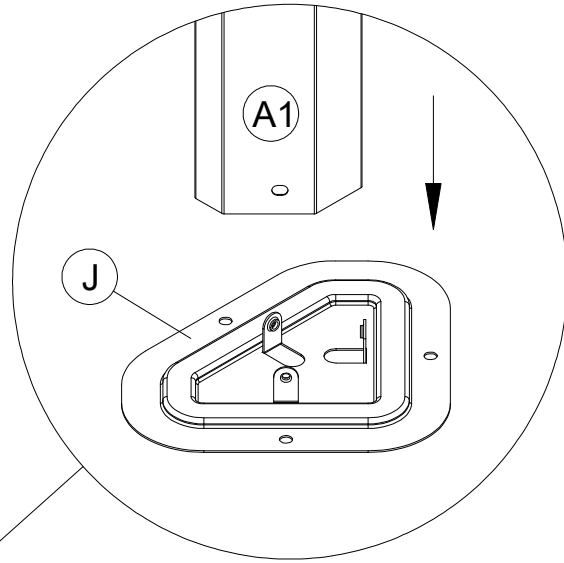
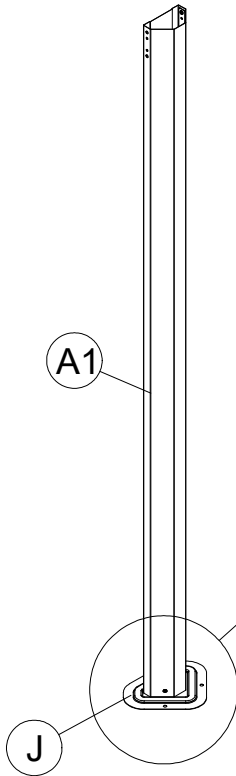
J x2



M6x15

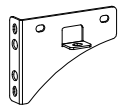
1 x6

<3>





U1 x2



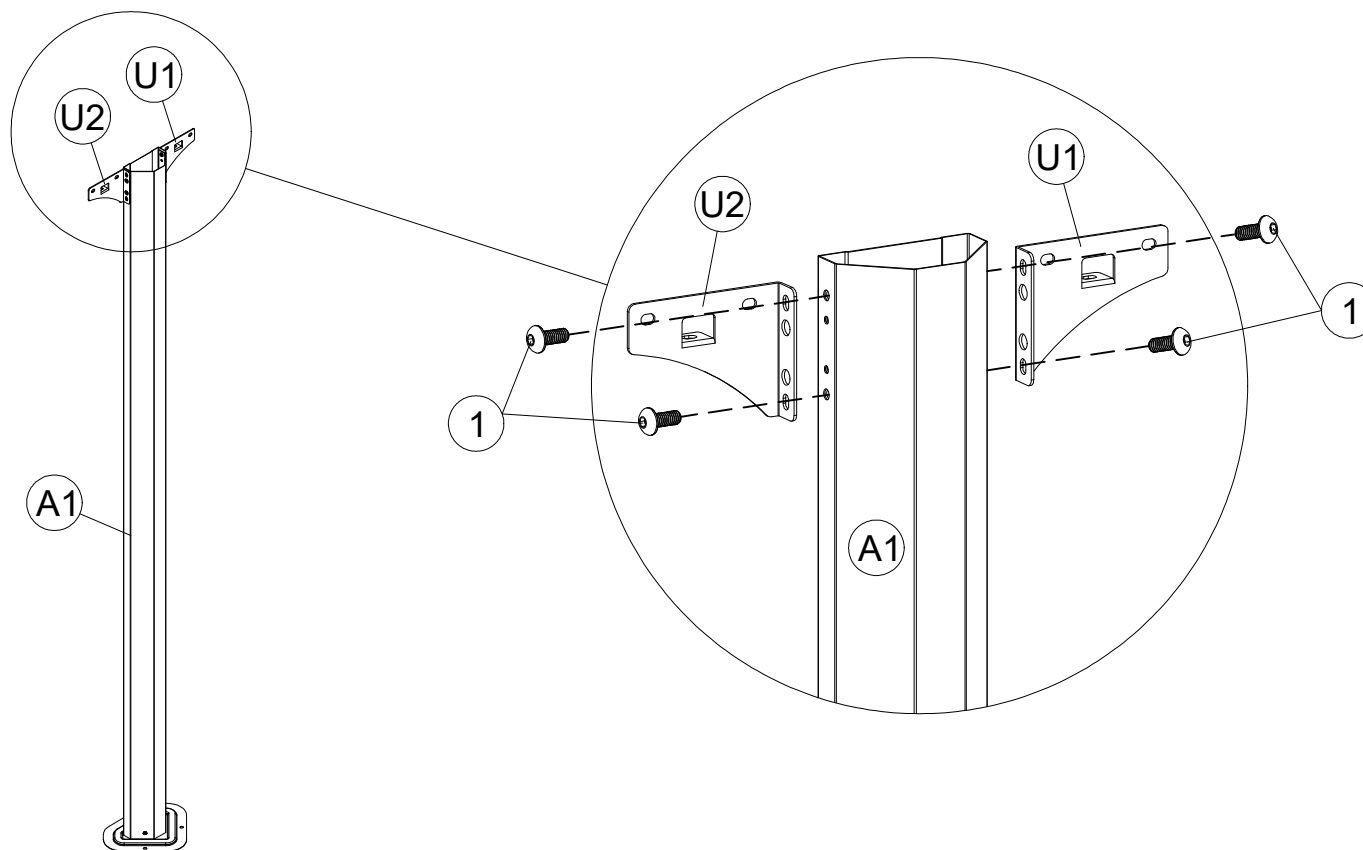
U2 x2



M6x15

1 x8

<4>

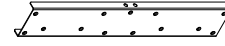




B x2



B1 x2



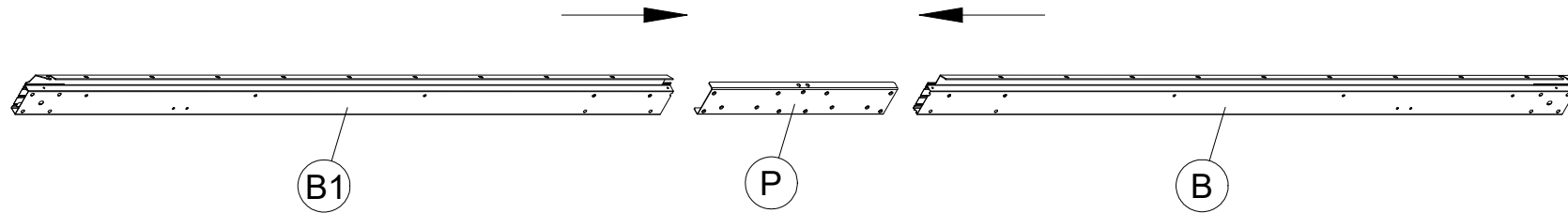
P x2



M6x15

1 x12

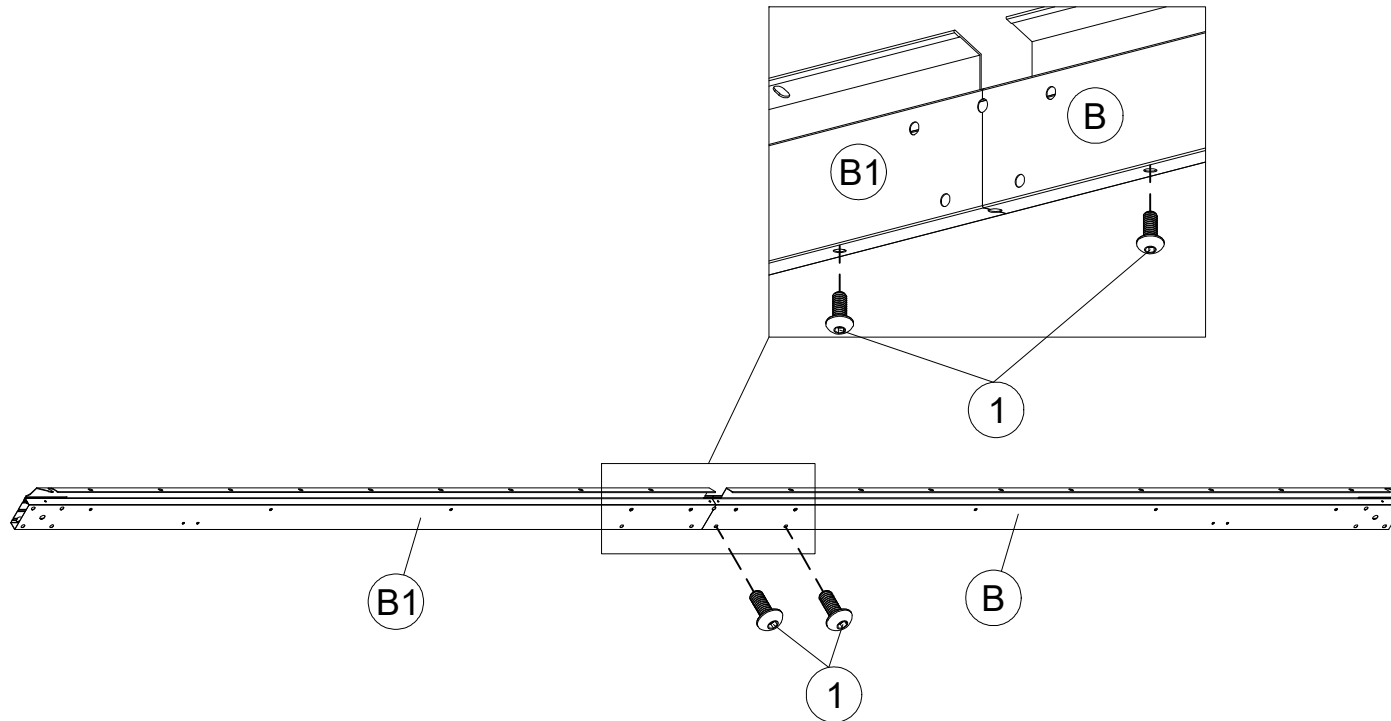
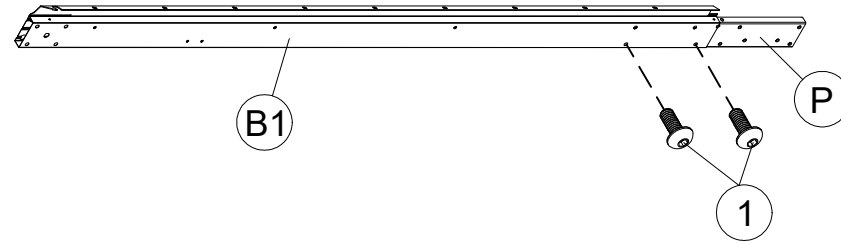
<5>



Tip 1: Use #1 screws to line up the holes in beam B1 and connector P, then connect beam B.

Tip 2: When installing the screws, just hold them roughly in place and then tighten all the screws when you have the entire part connection aligned.

<6>





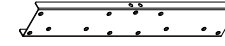
C x2



C1 x2



E2 x2



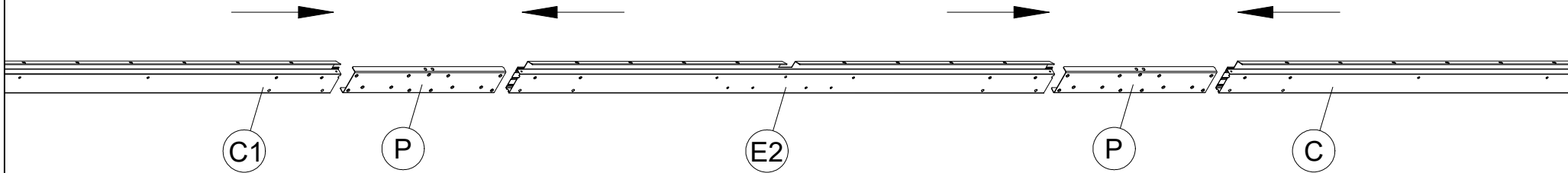
P x4



M6x15

1 x24

<7>

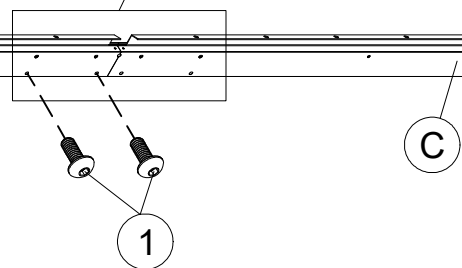
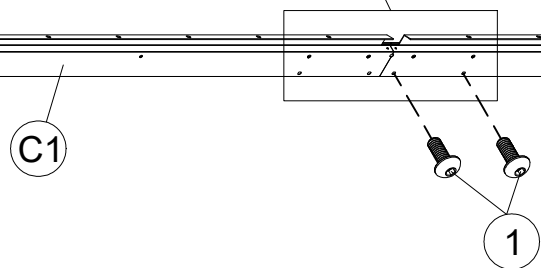
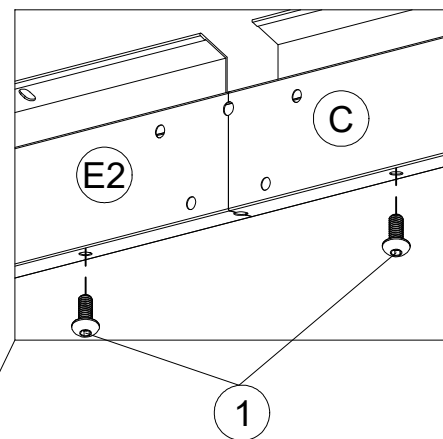
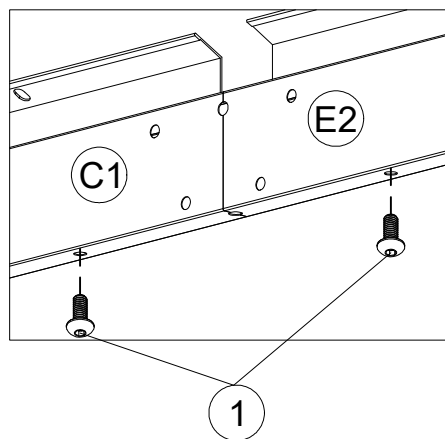
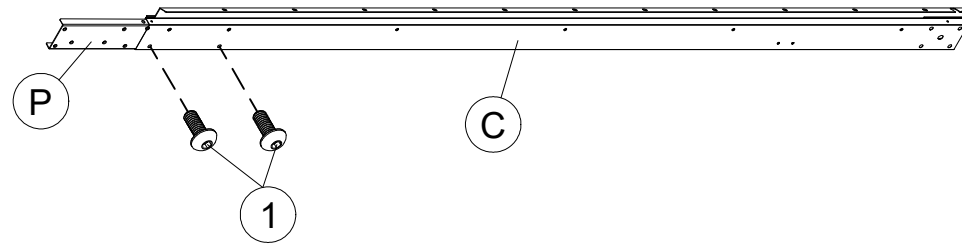
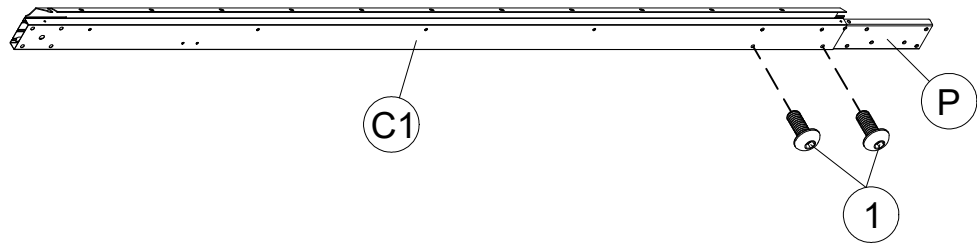


Tip 1: Use #1 screws to line up the holes in beam C1 and connector P, then connect beam E2.

Tip 2: Use #1 screws to line up the holes in beam C and connector P, then connect beam E2

Tip 3: When installing the screws, just hold them roughly in place and then tighten all the screws when you have the entire part connection aligned.

<8>

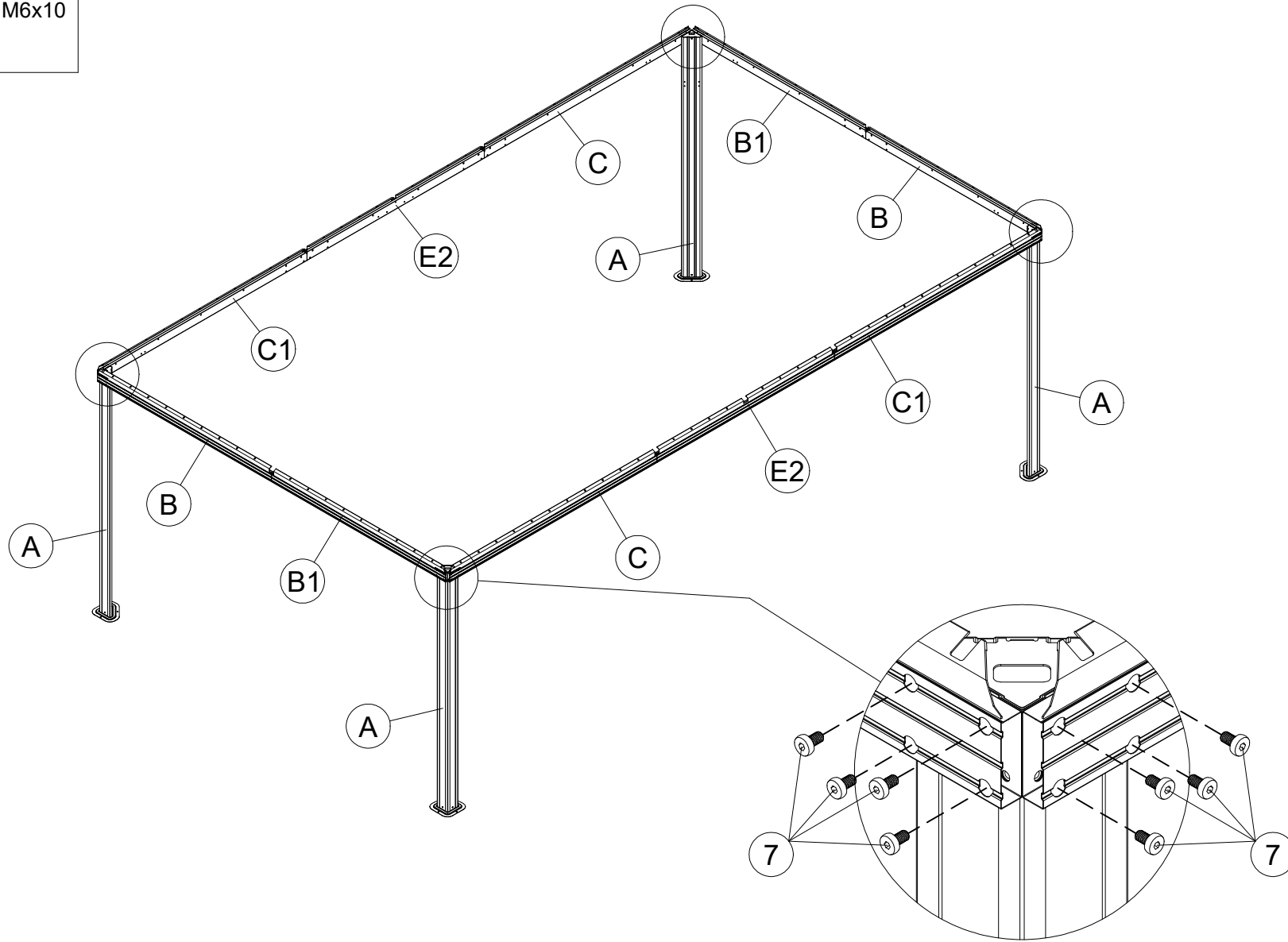


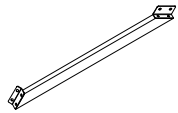


M6x10

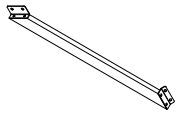
7 x32

<9>





H1 x4



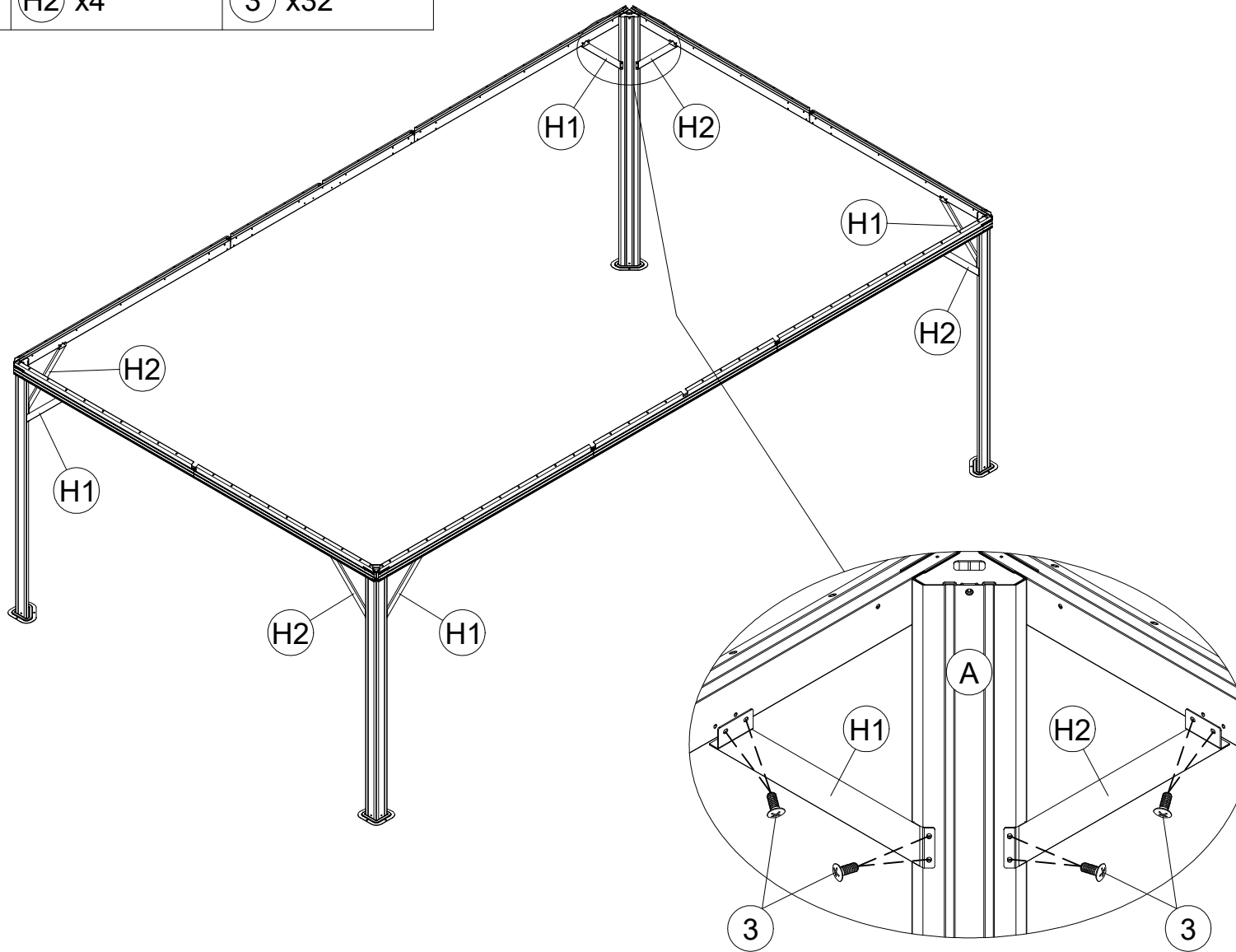
H2 x4



3 x32

M5x12

<10>

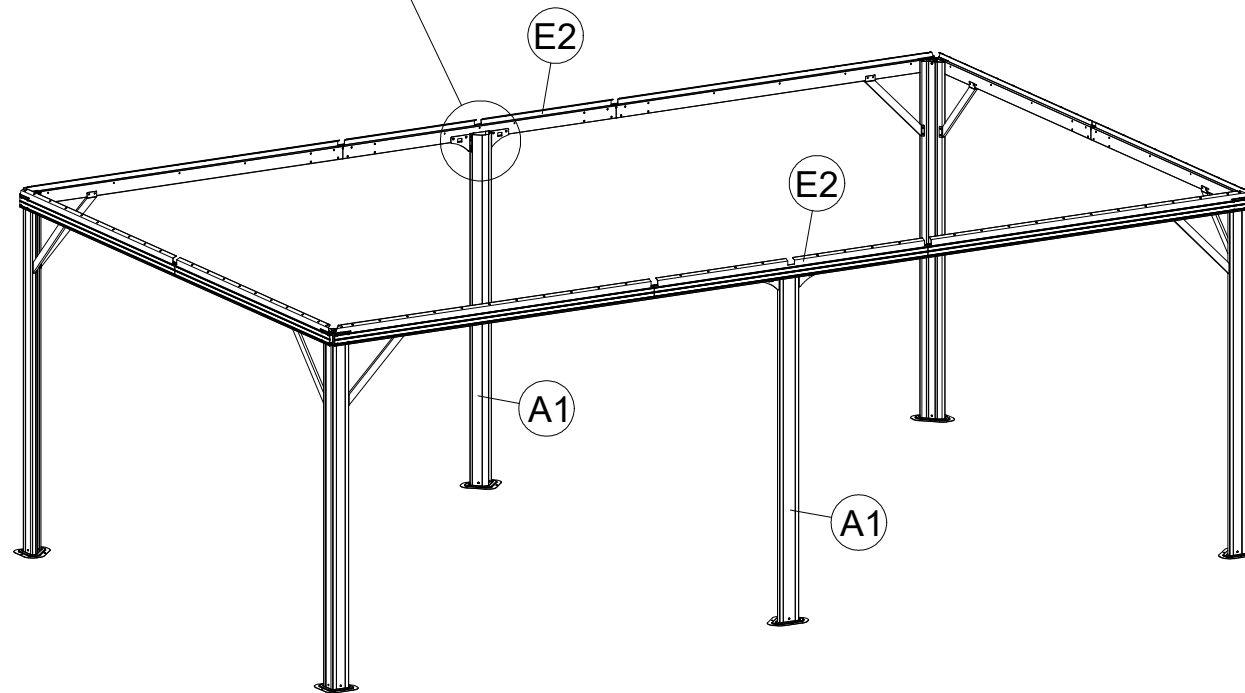
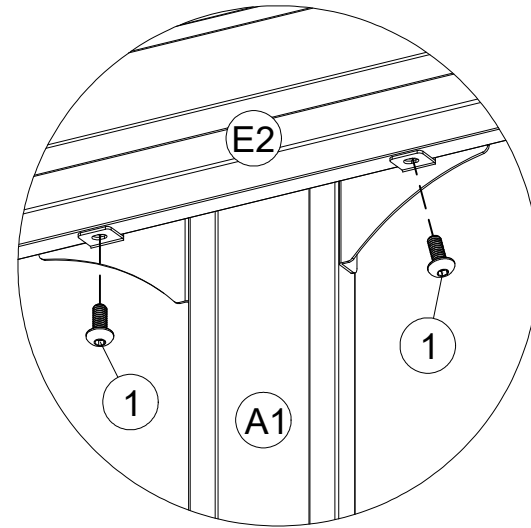
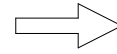
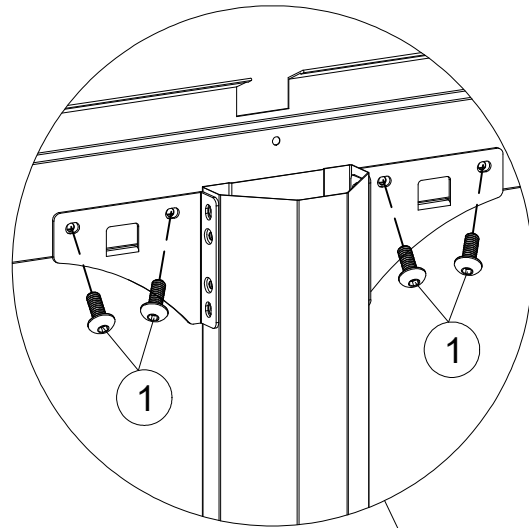




M6x15

1 x12

<11>



D x2



D1 x2



D2 x2



D3 x2



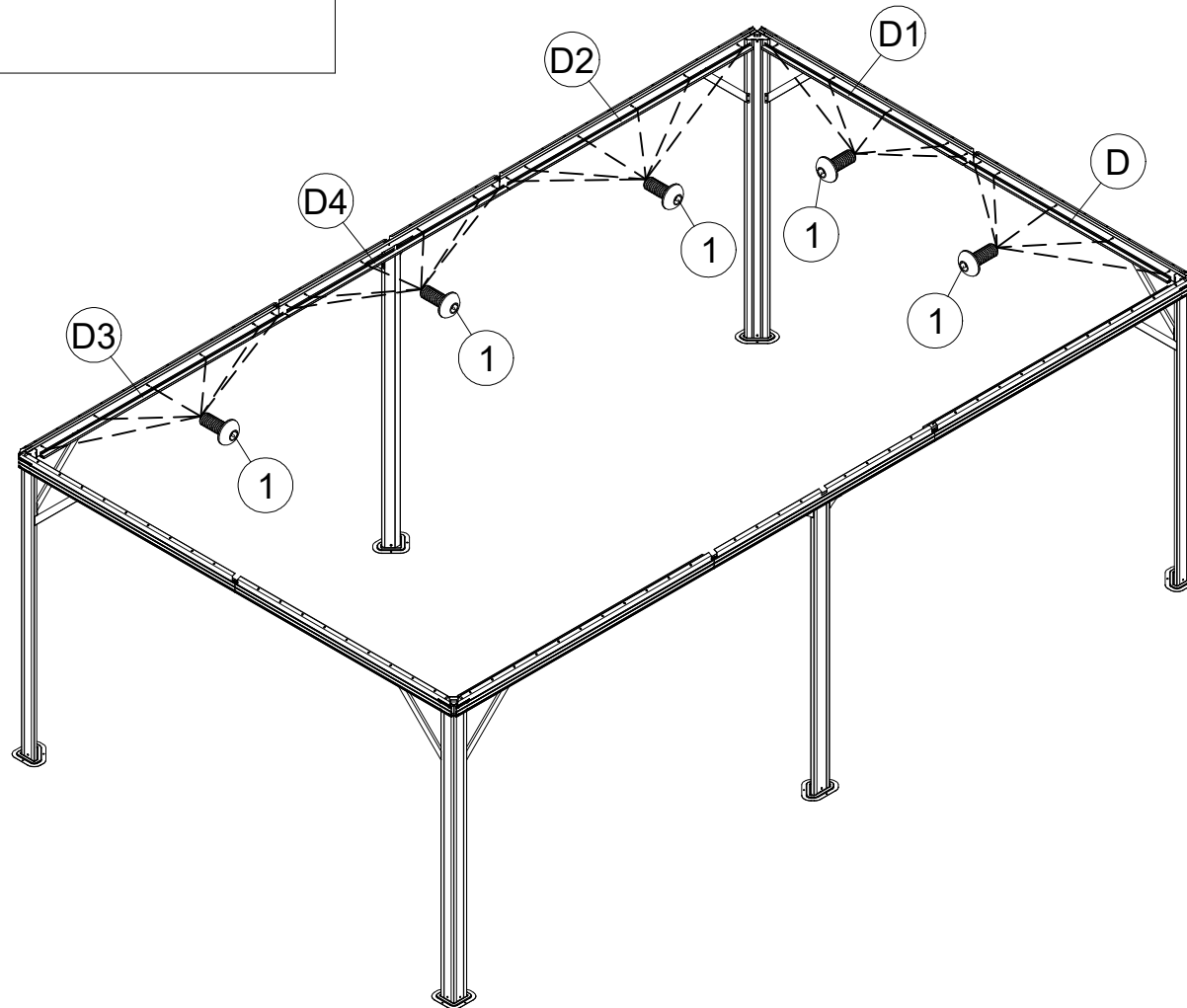
M6x15

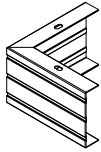
1 x56

D4 x2



<12>





K x4



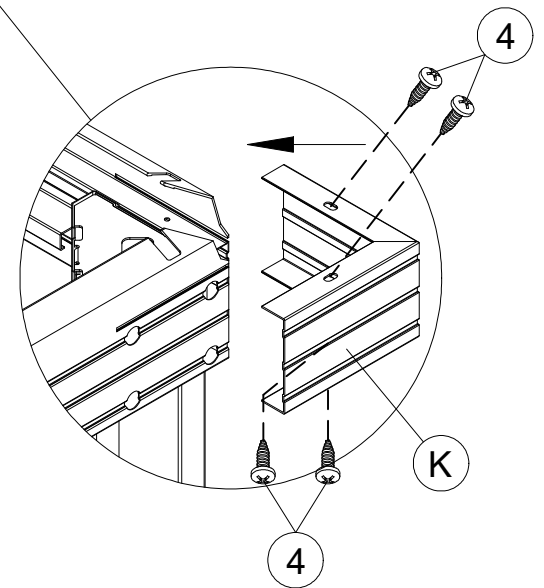
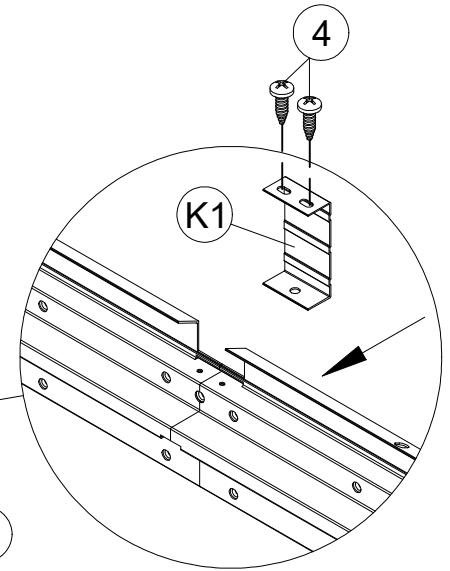
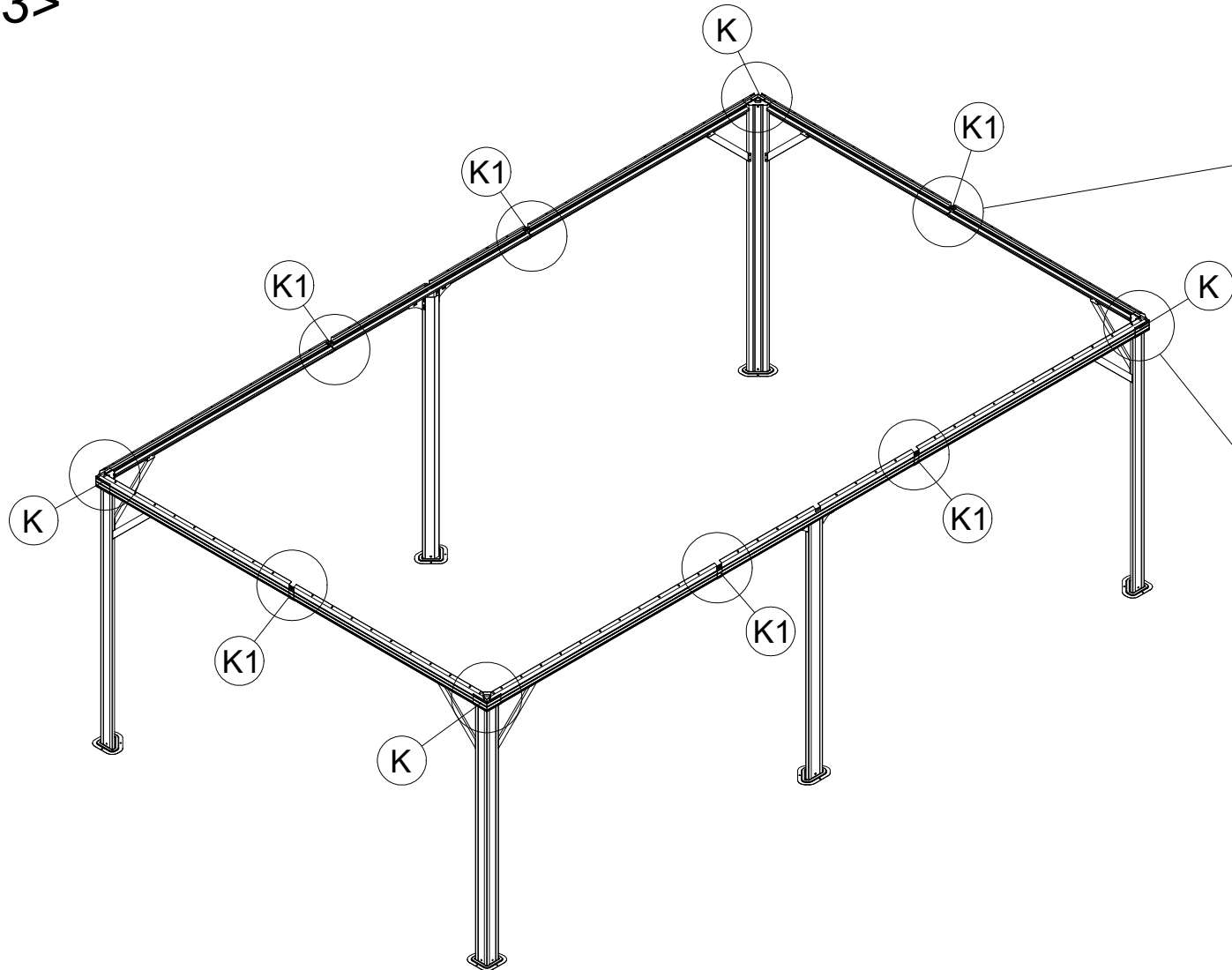
K1 x6



ST4.8x12

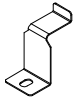
4 x28

<13>





U x152



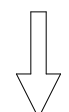
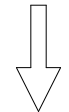
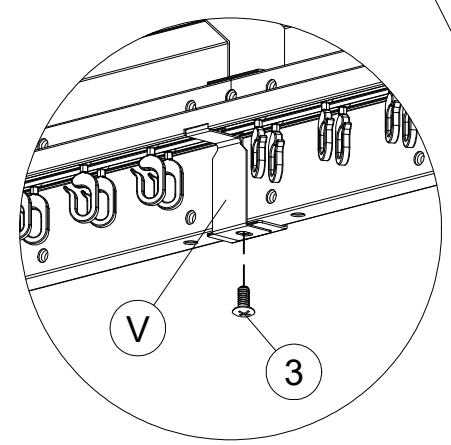
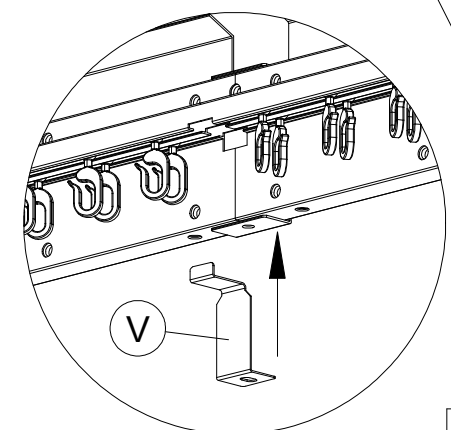
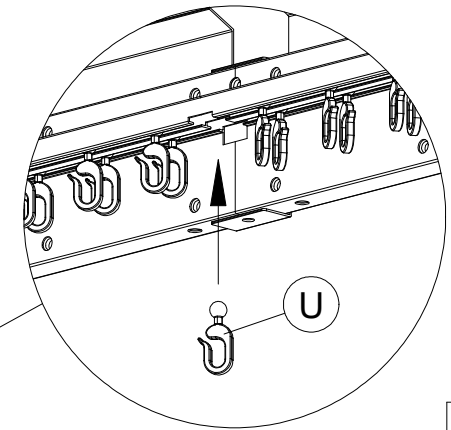
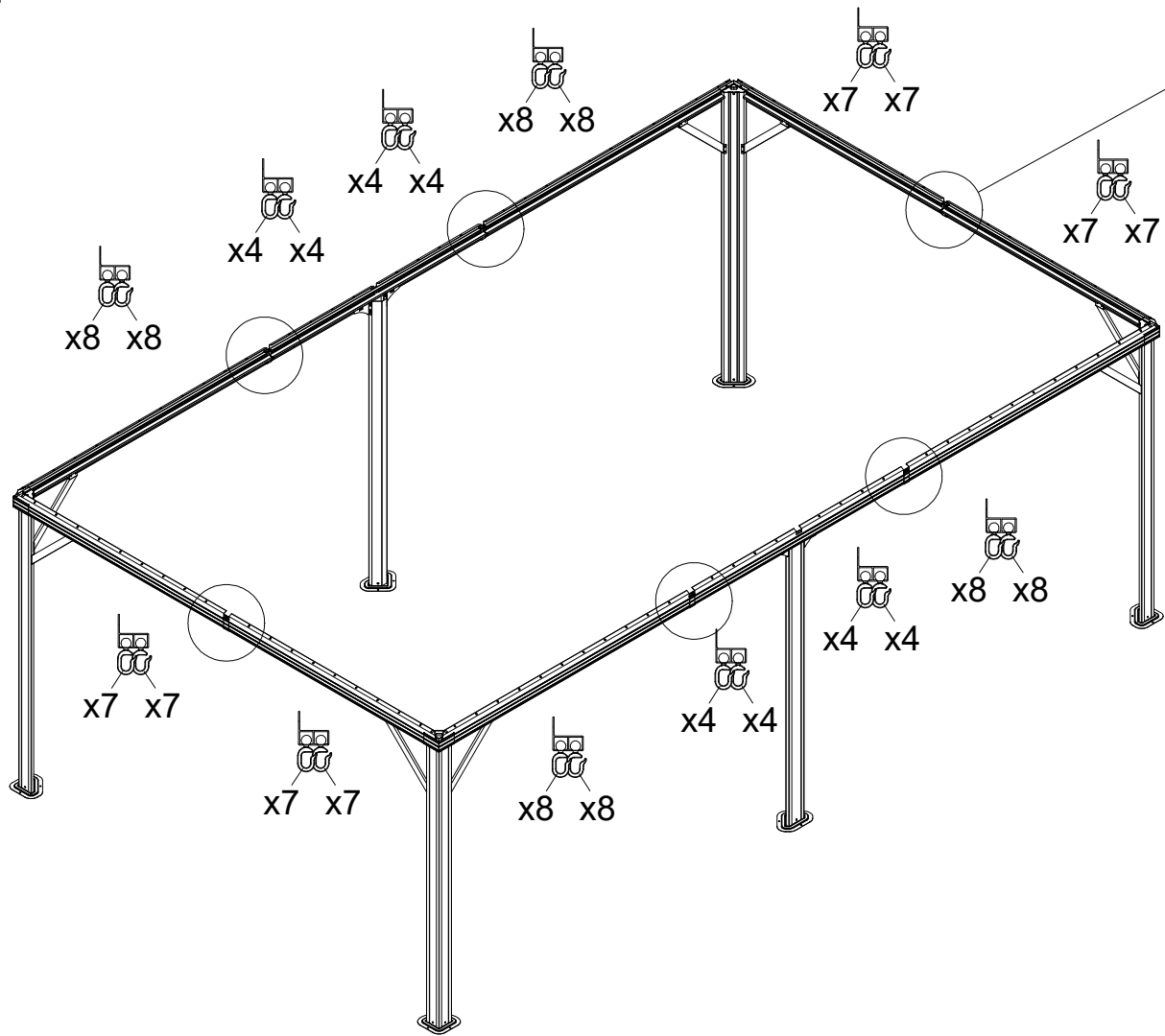
V x6



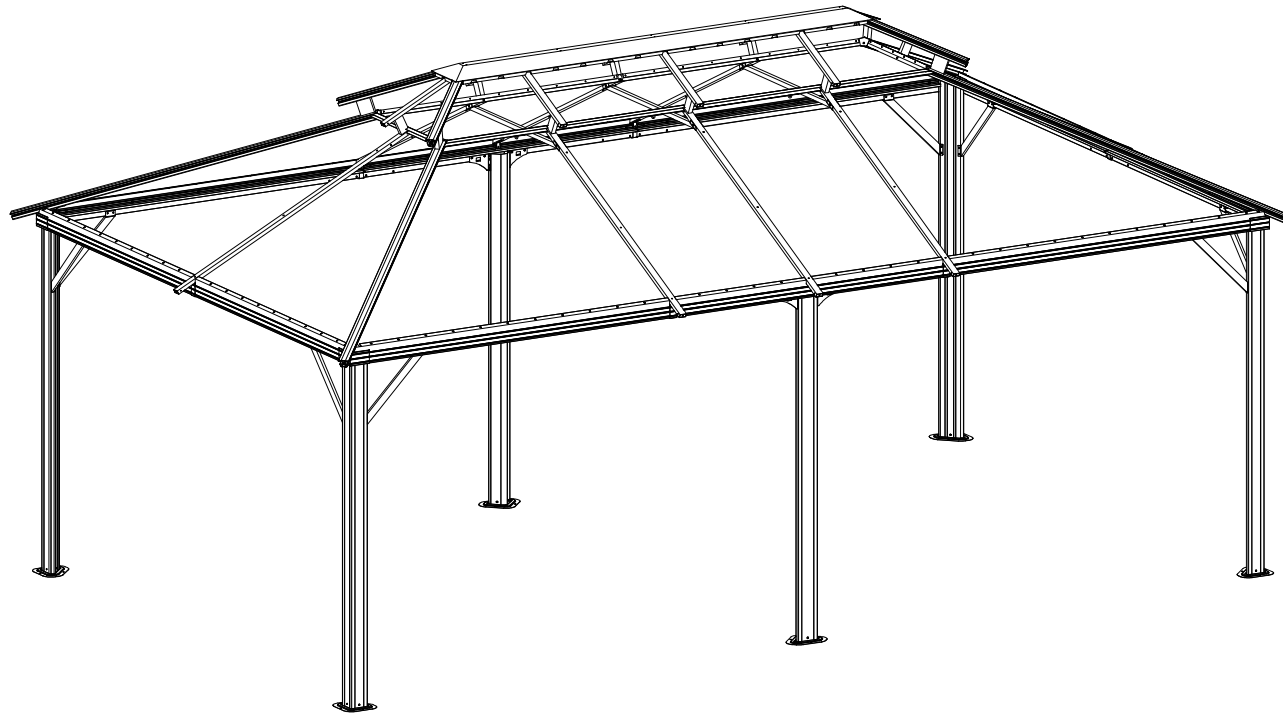
M5x12

3 x6

<14>



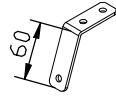
STEP 2



Tips: When installing the screws, don't tighten them all the way first, just roughly hold them in place, and when you're sure that all the parts are installed, then you can tighten the screws to secure the frame.



E x4



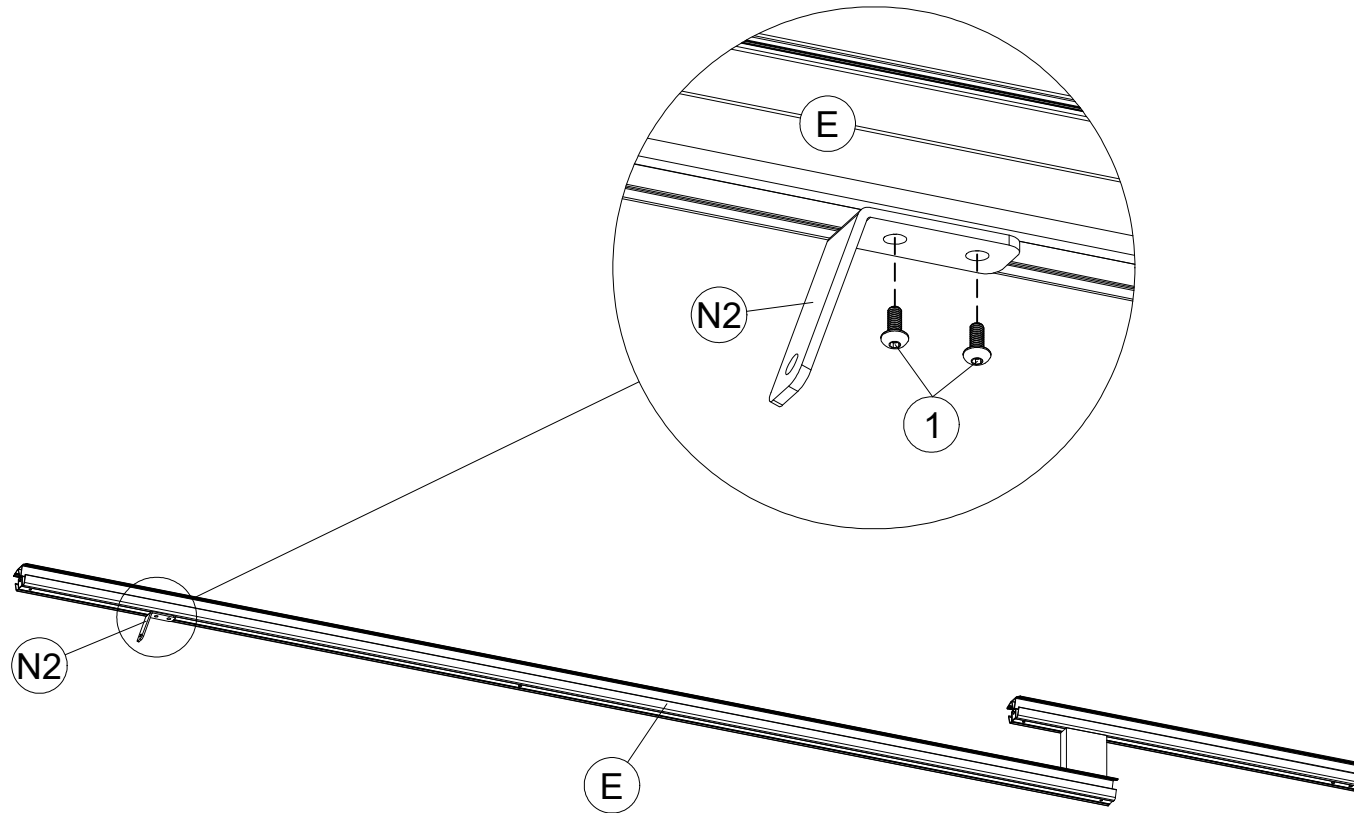
N2 x4



M6x15

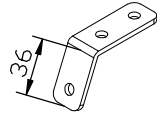
1 x8

<15>





E1 x8



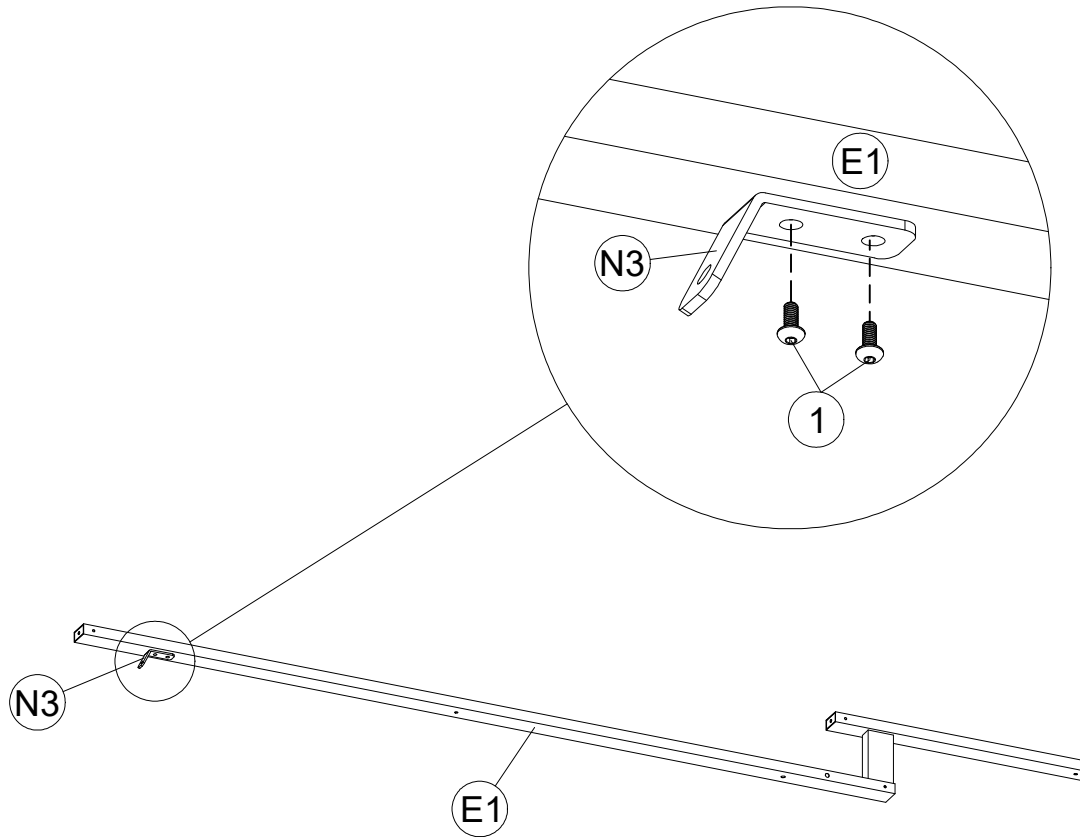
N3 x8



M6x15

1 x16

<16>





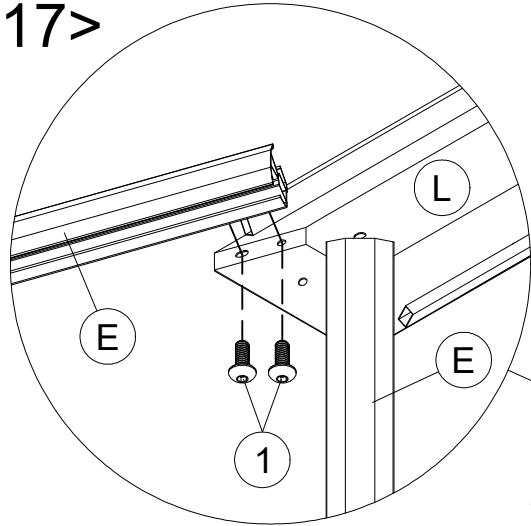
L x1



M6x15

1 x12

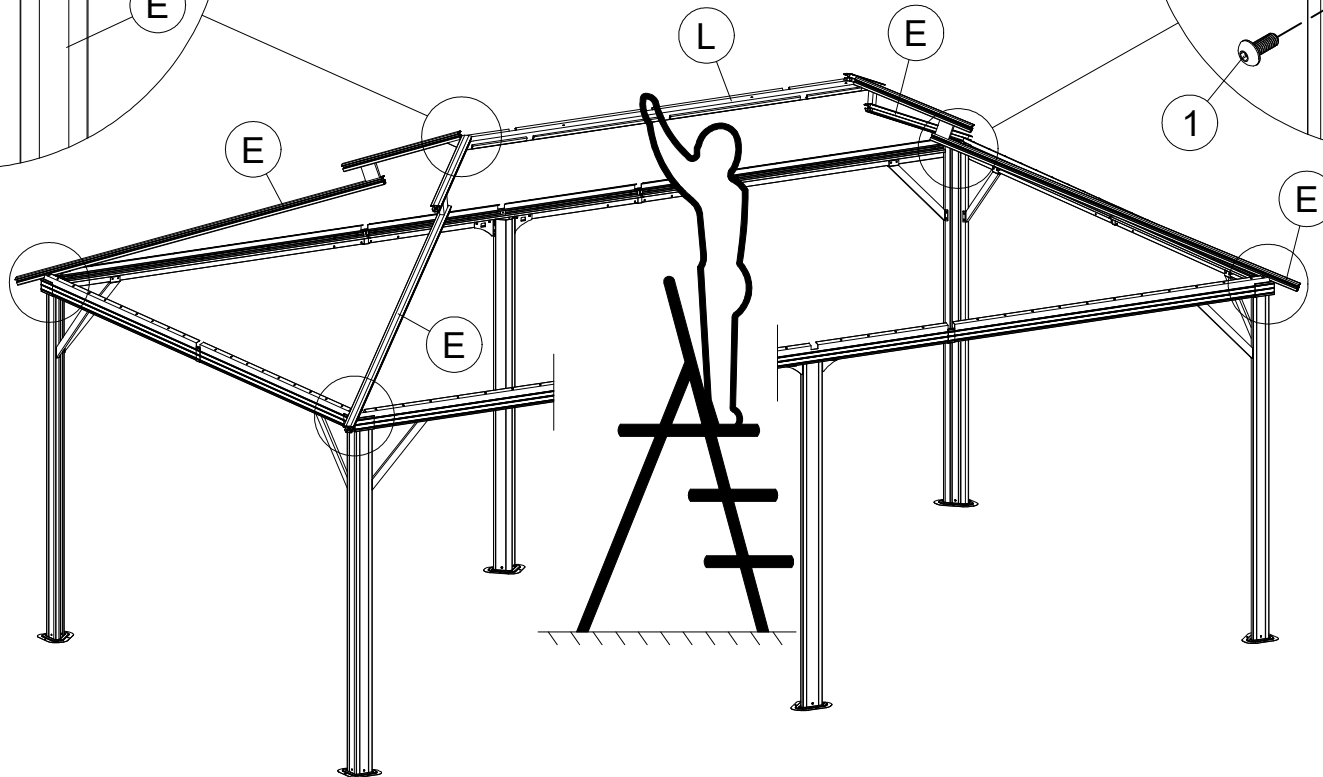
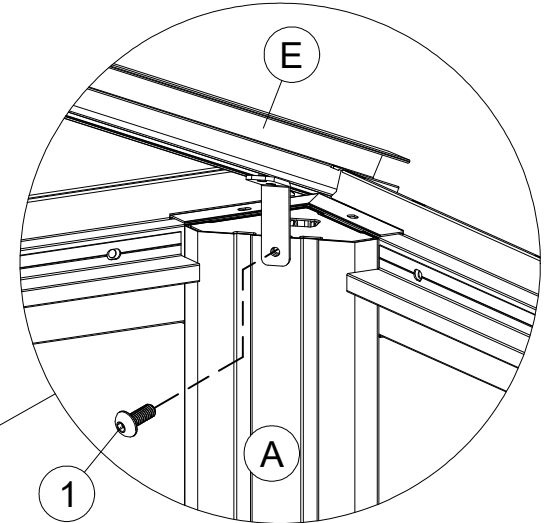
<17>



Note:

1. Let one person stand on the ladder to lift " L " and hold, and let others fasten the screws connecting both ends of " E+U3 " .

2. Please do not let go of holding " L " until all the " E+U3 " screws are installed.

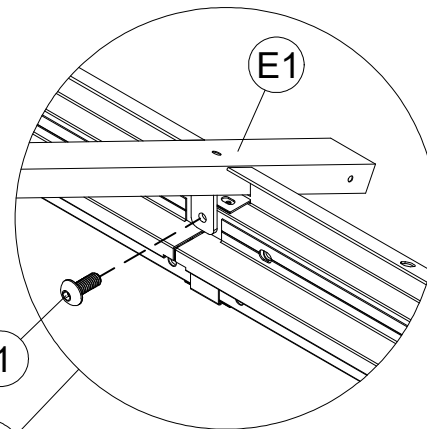
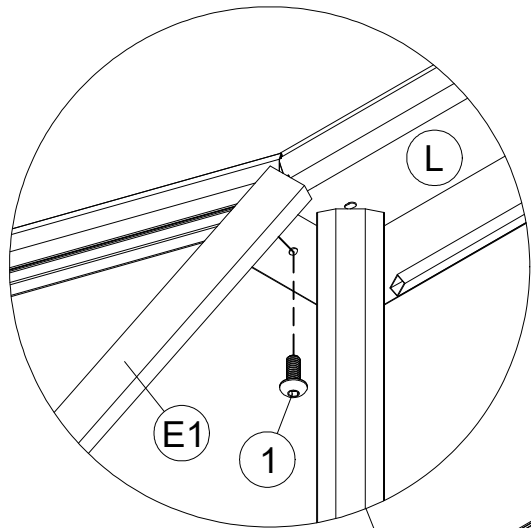
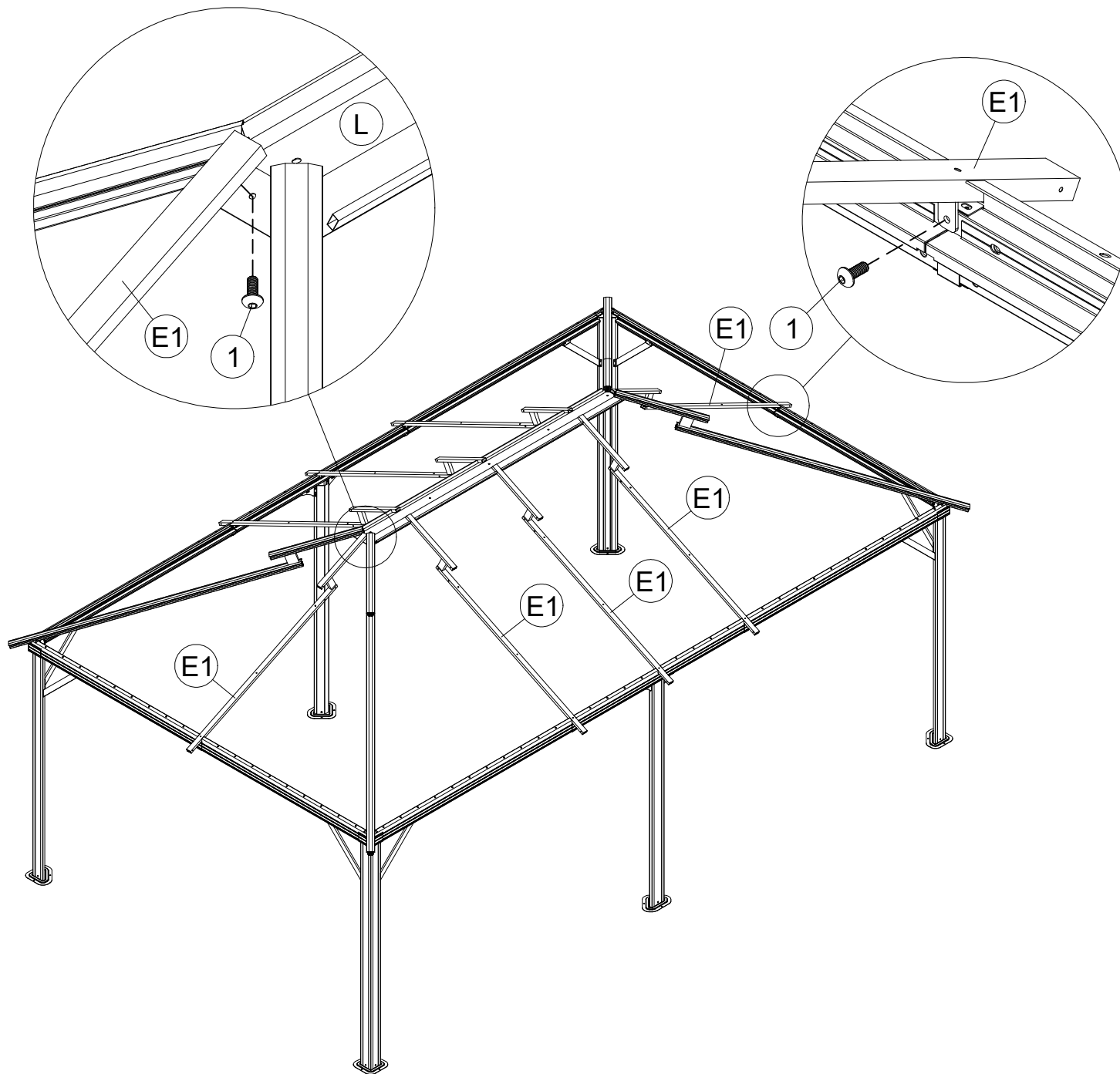




M6x15

1 x16

<18>



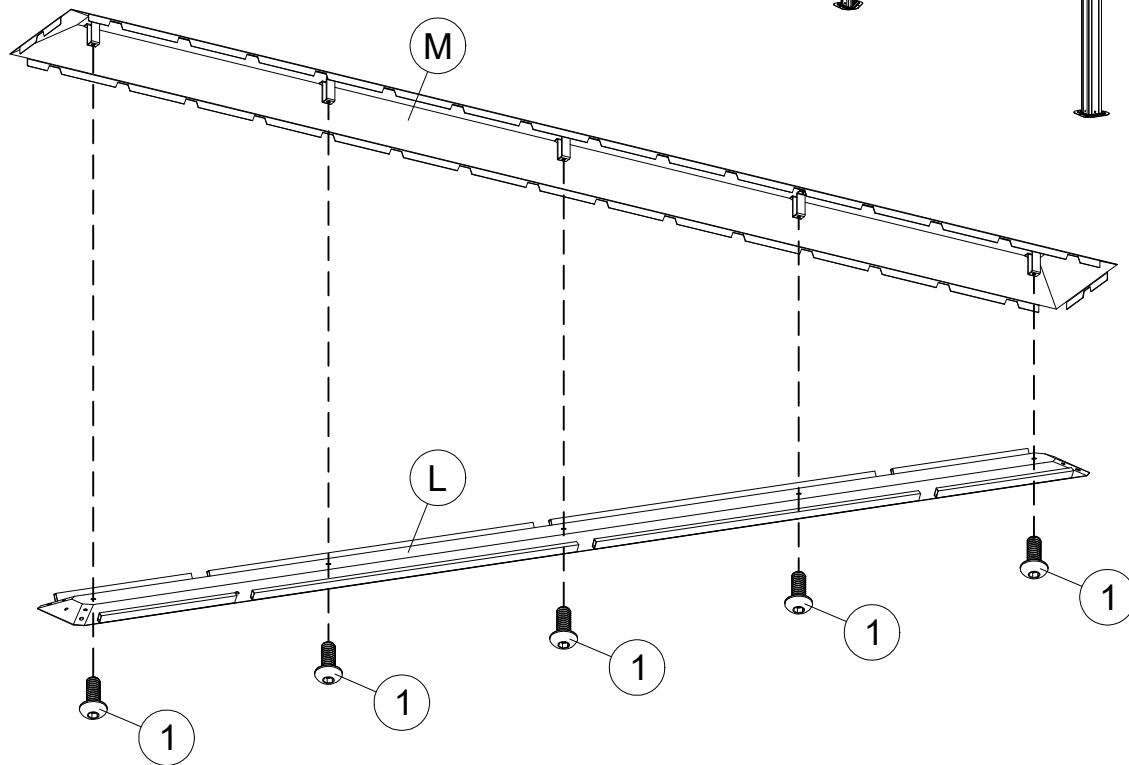
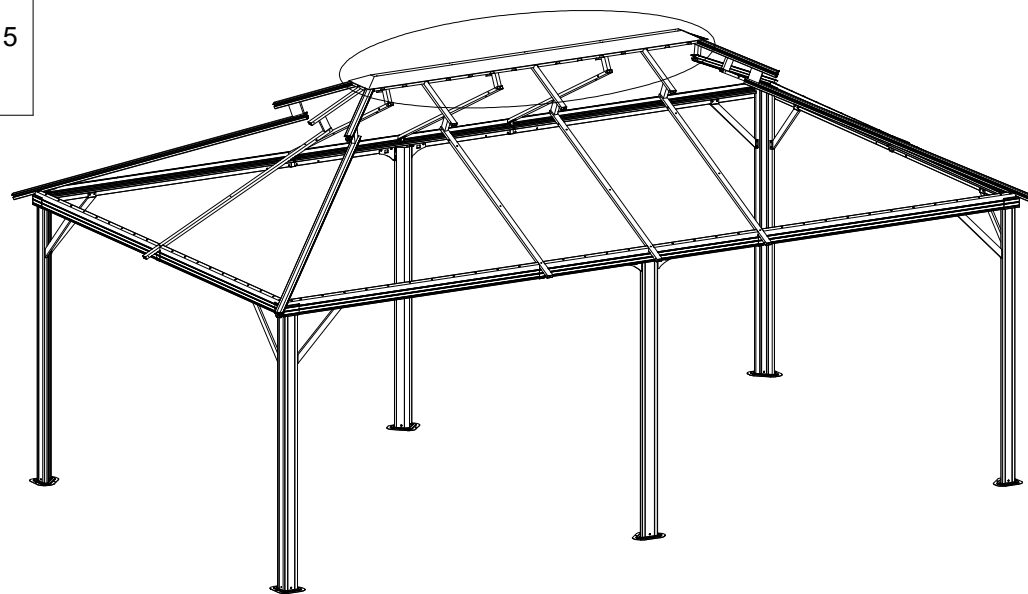


M6x15

(M) x1

(1) x5

<19>





G8 x2



G9 x2



G10 x2



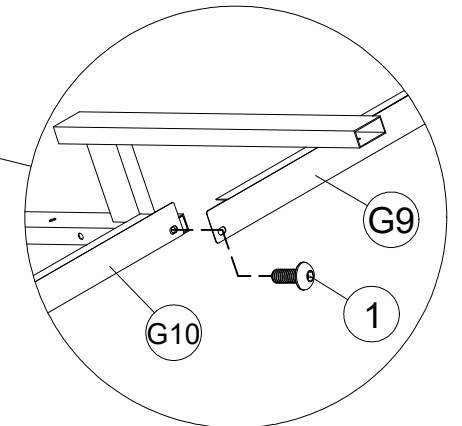
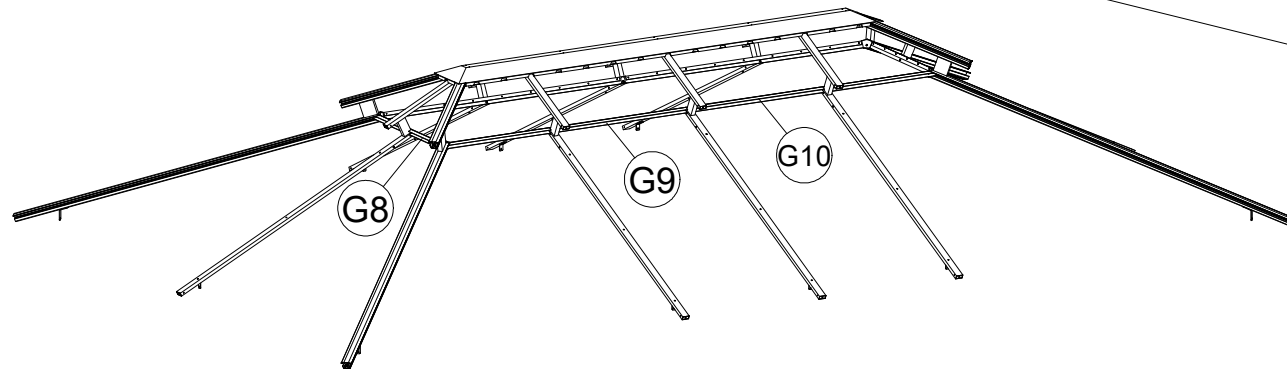
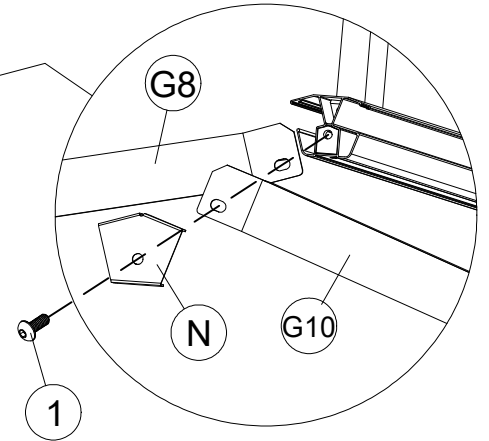
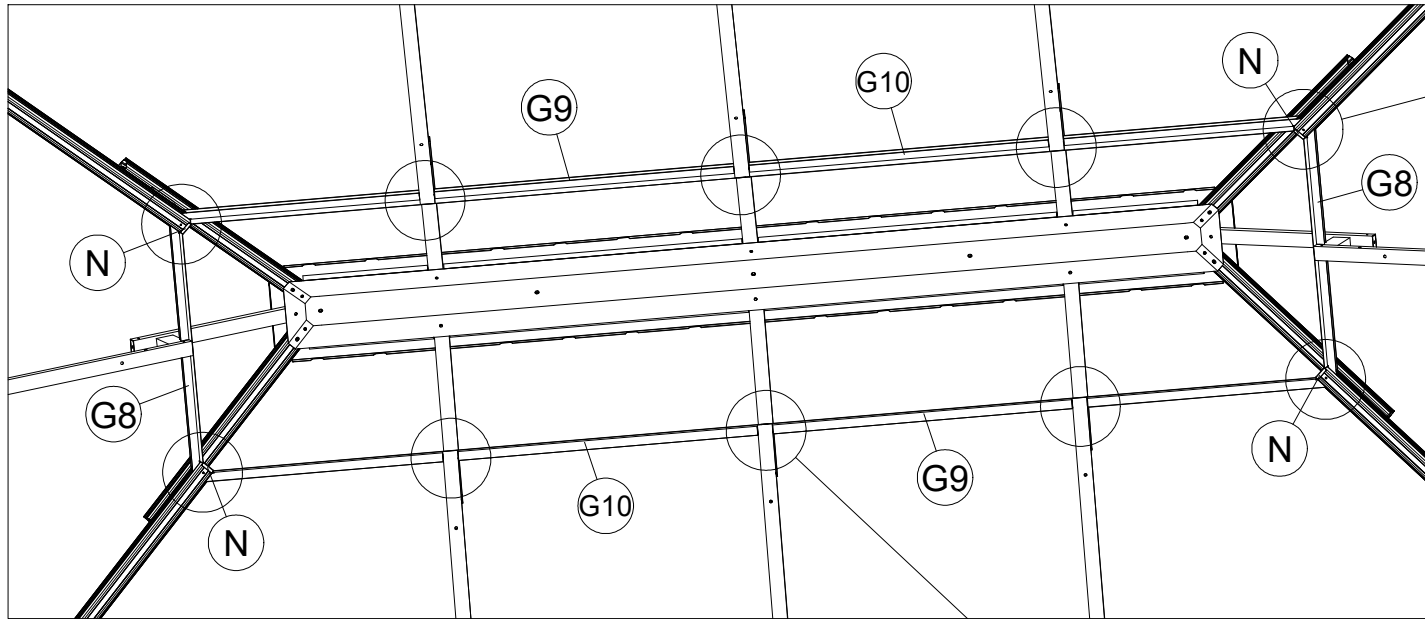
N x4



M6x15

1 x12

<20>





H x3



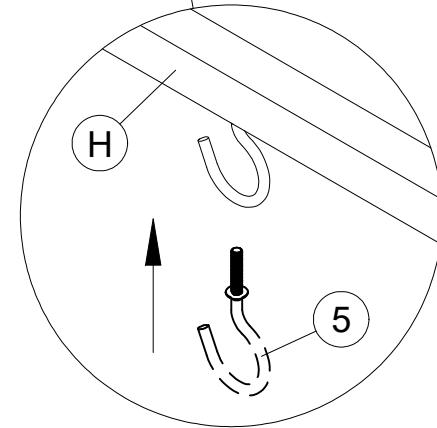
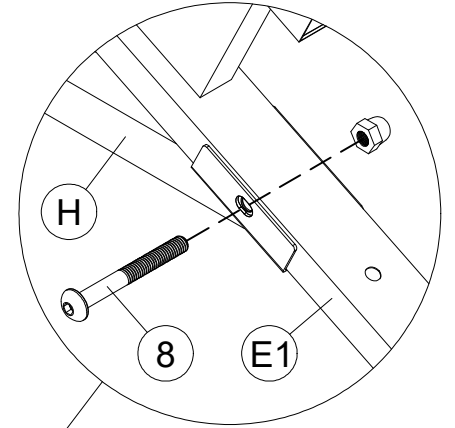
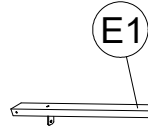
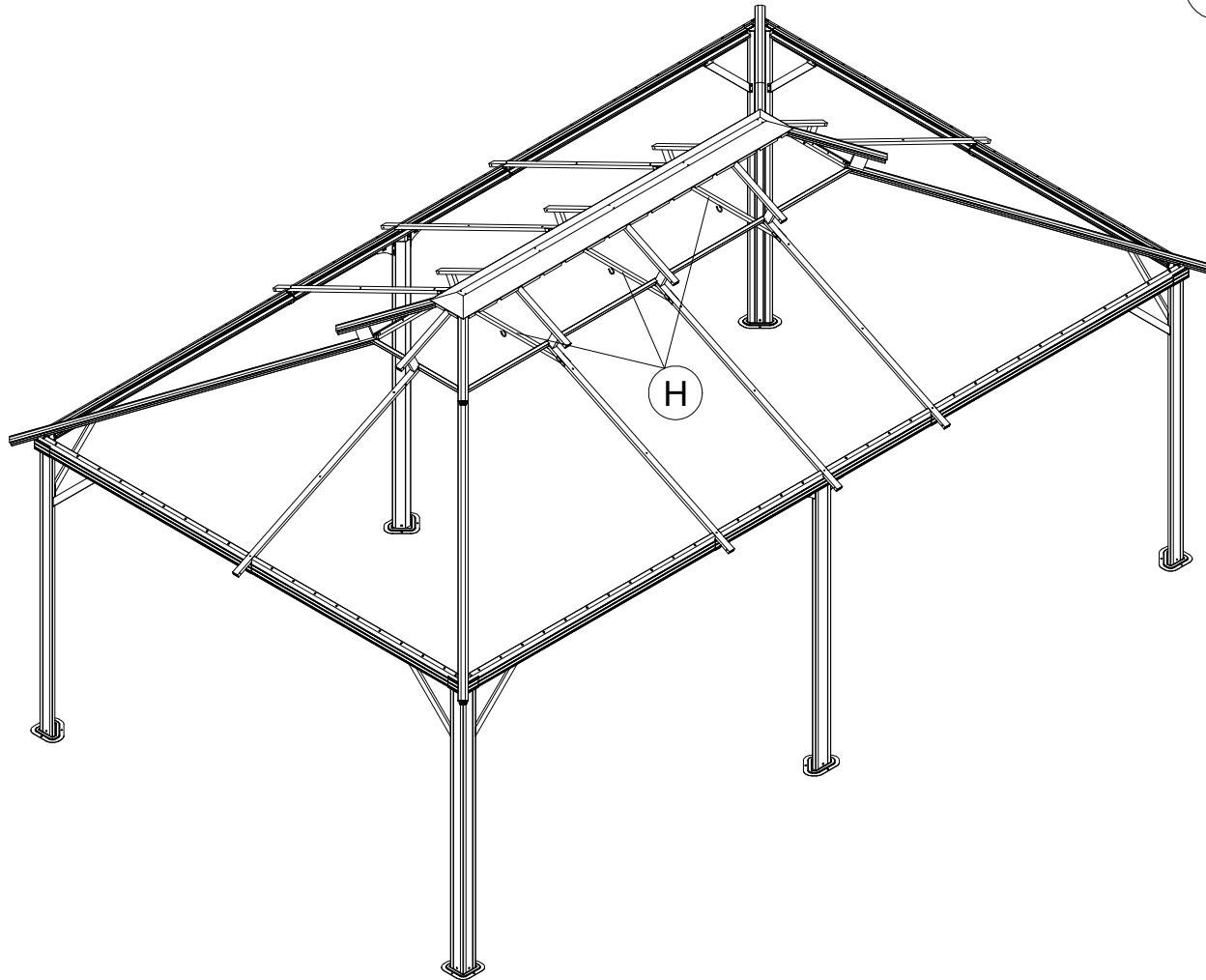
5 x3



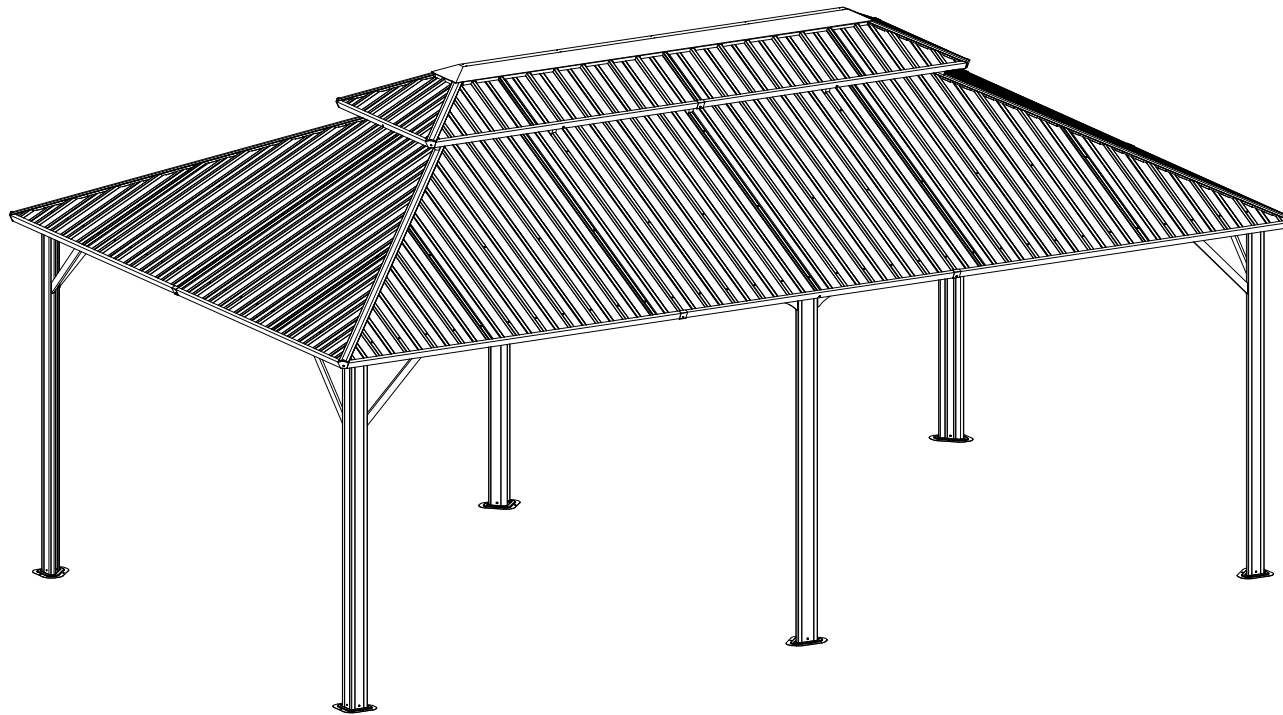
M6x50

8 x6

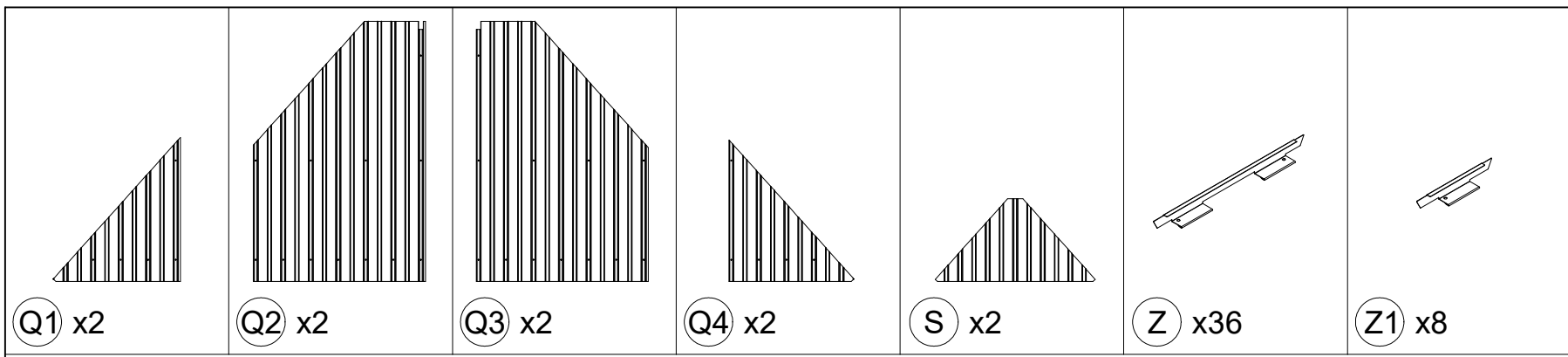
<21>



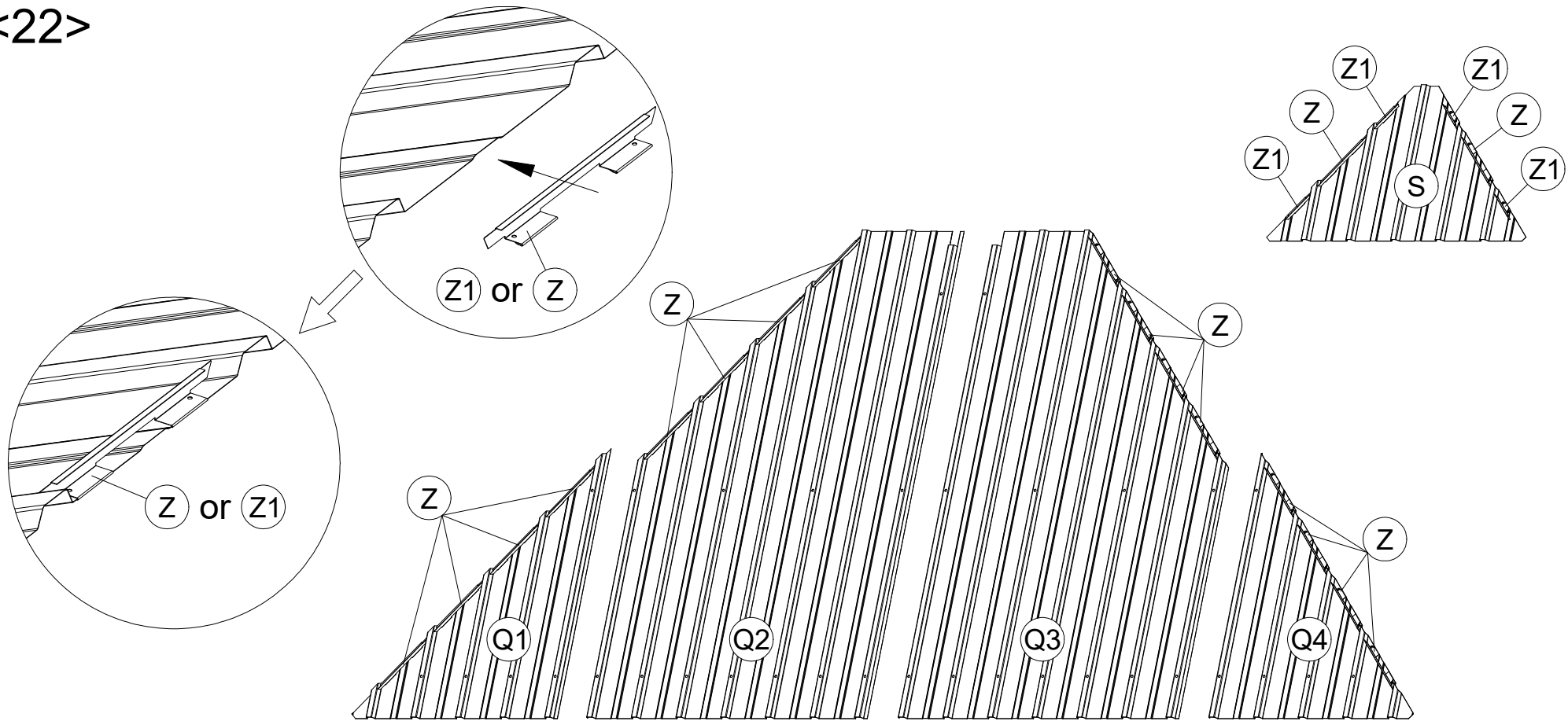
STEP 3

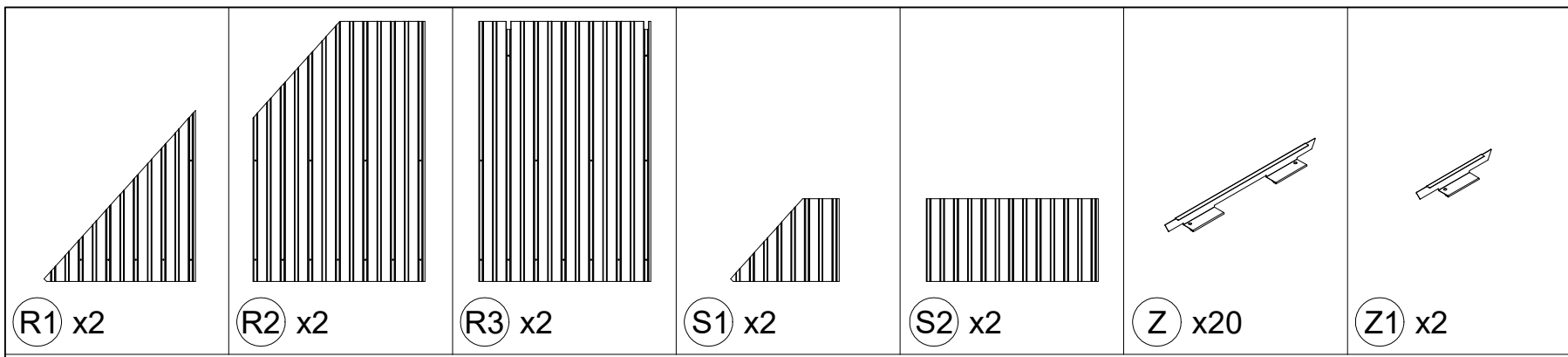


Tips: When installing the screws, don't tighten them all the way first, just roughly hold them in place, and when you're sure that all the parts are installed, then you can tighten the screws to secure the frame.

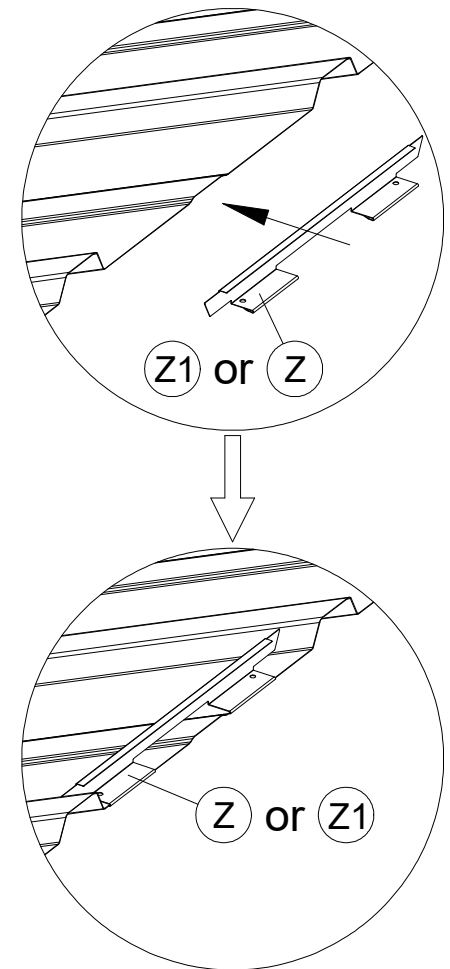
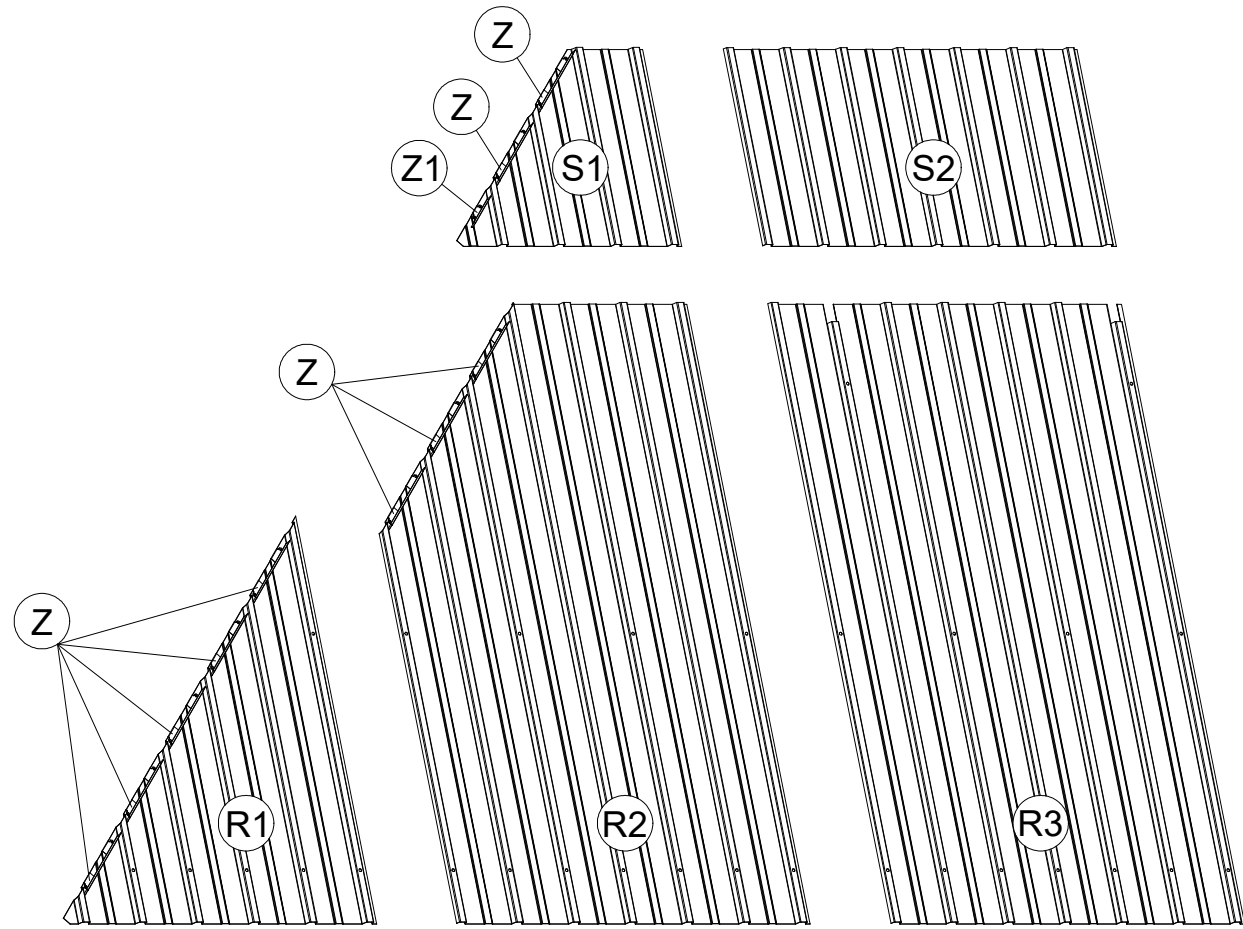


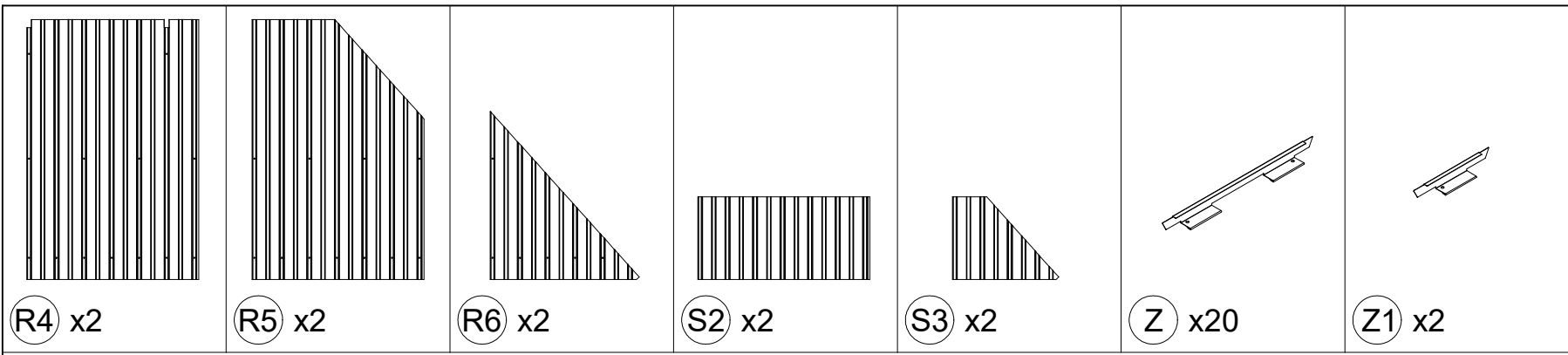
<22>



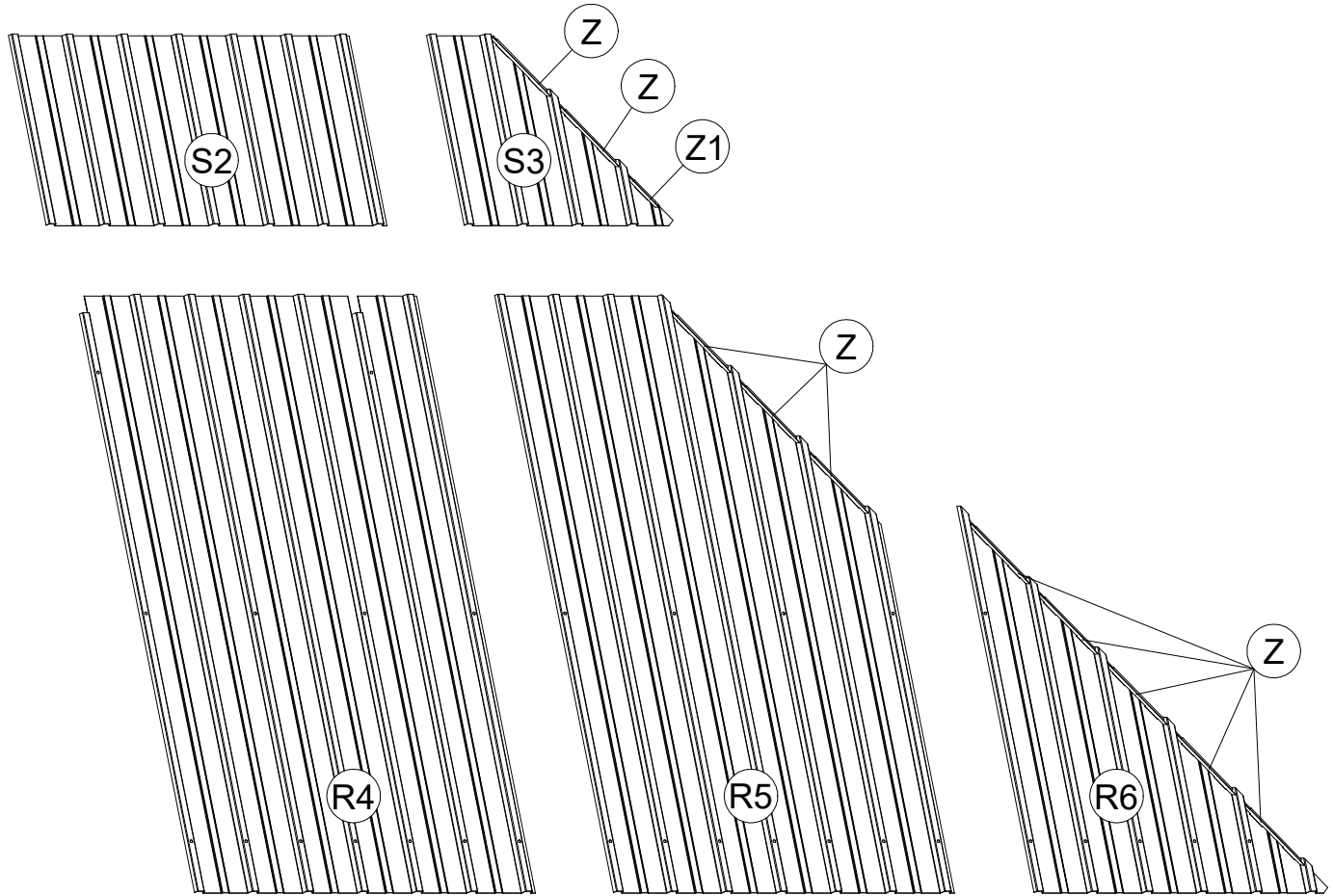
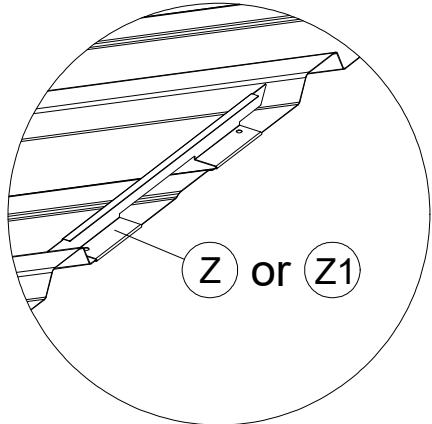
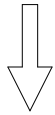
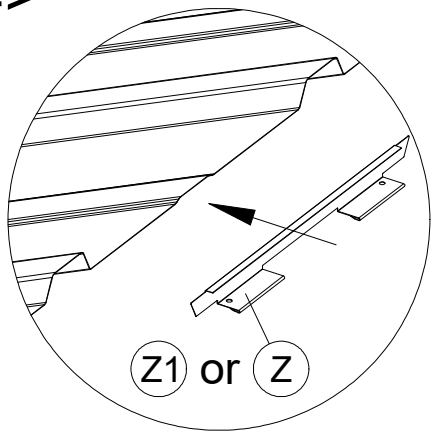


<23>

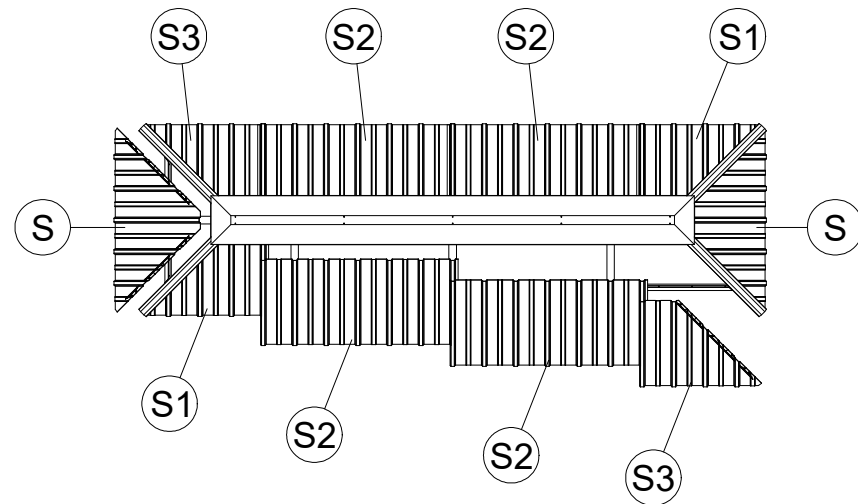
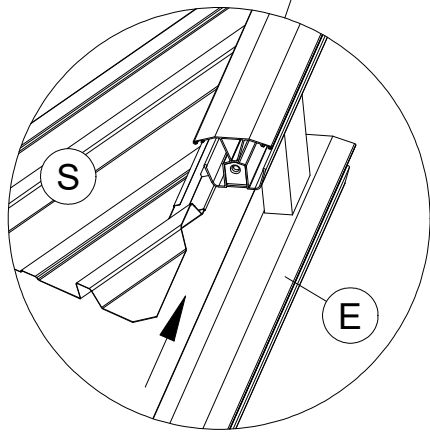
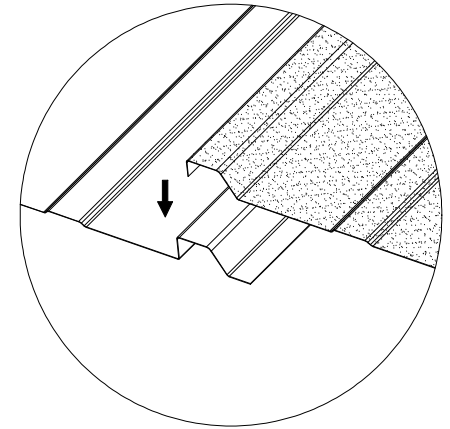
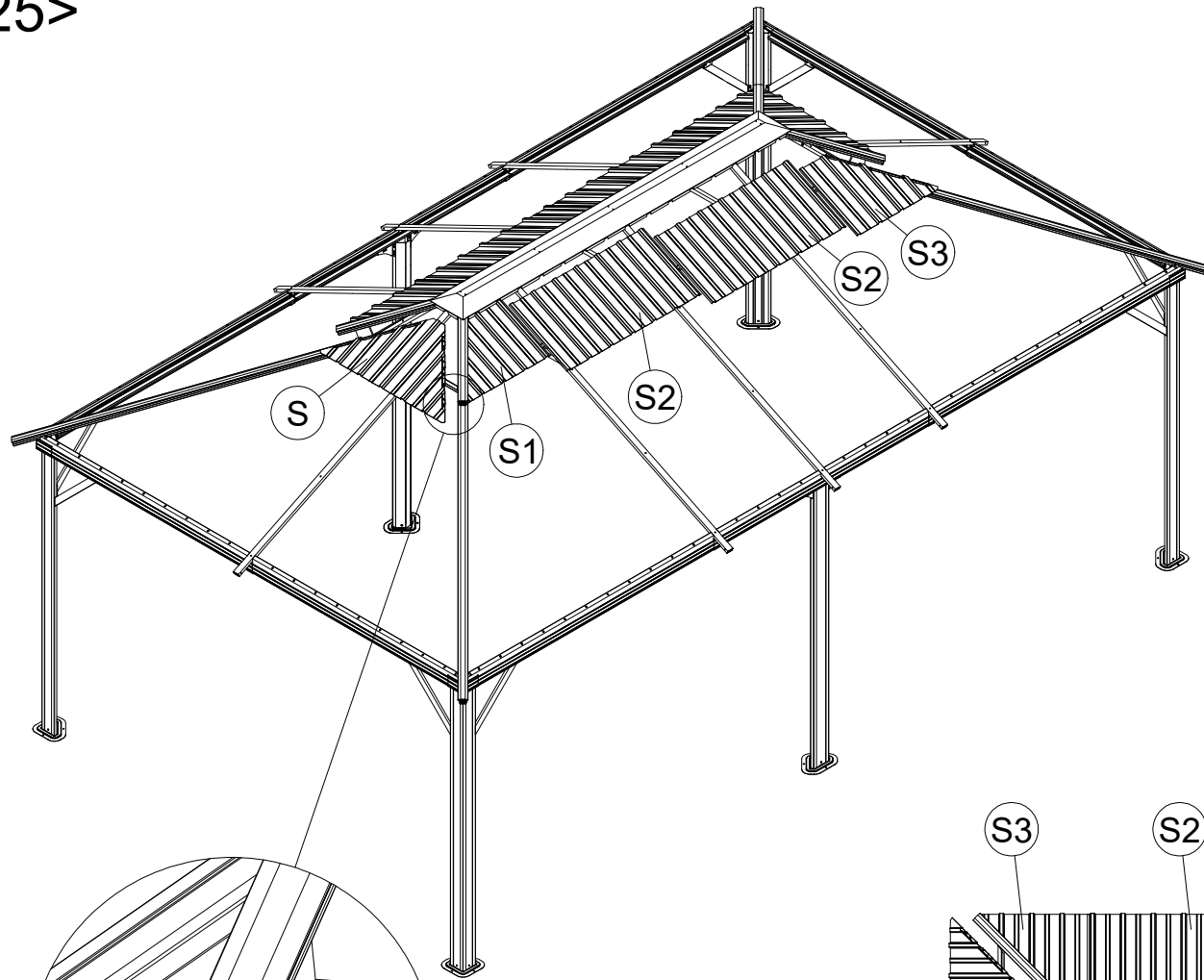





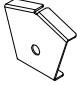
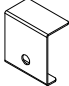



<24>



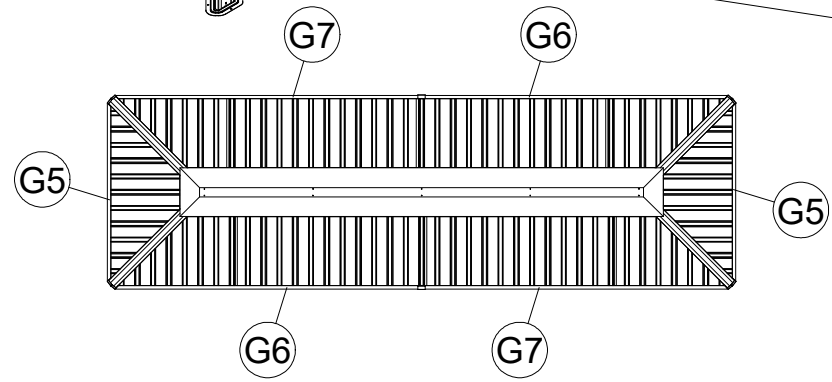
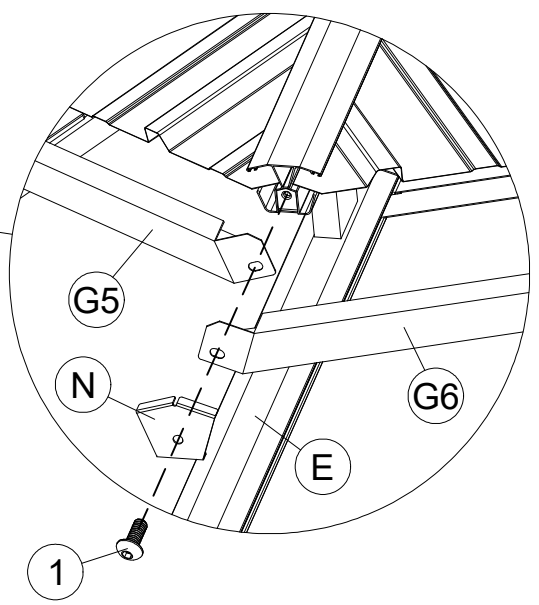
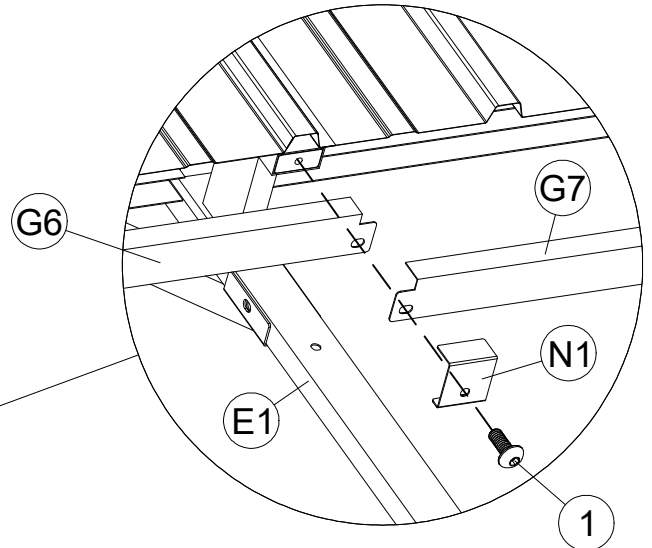
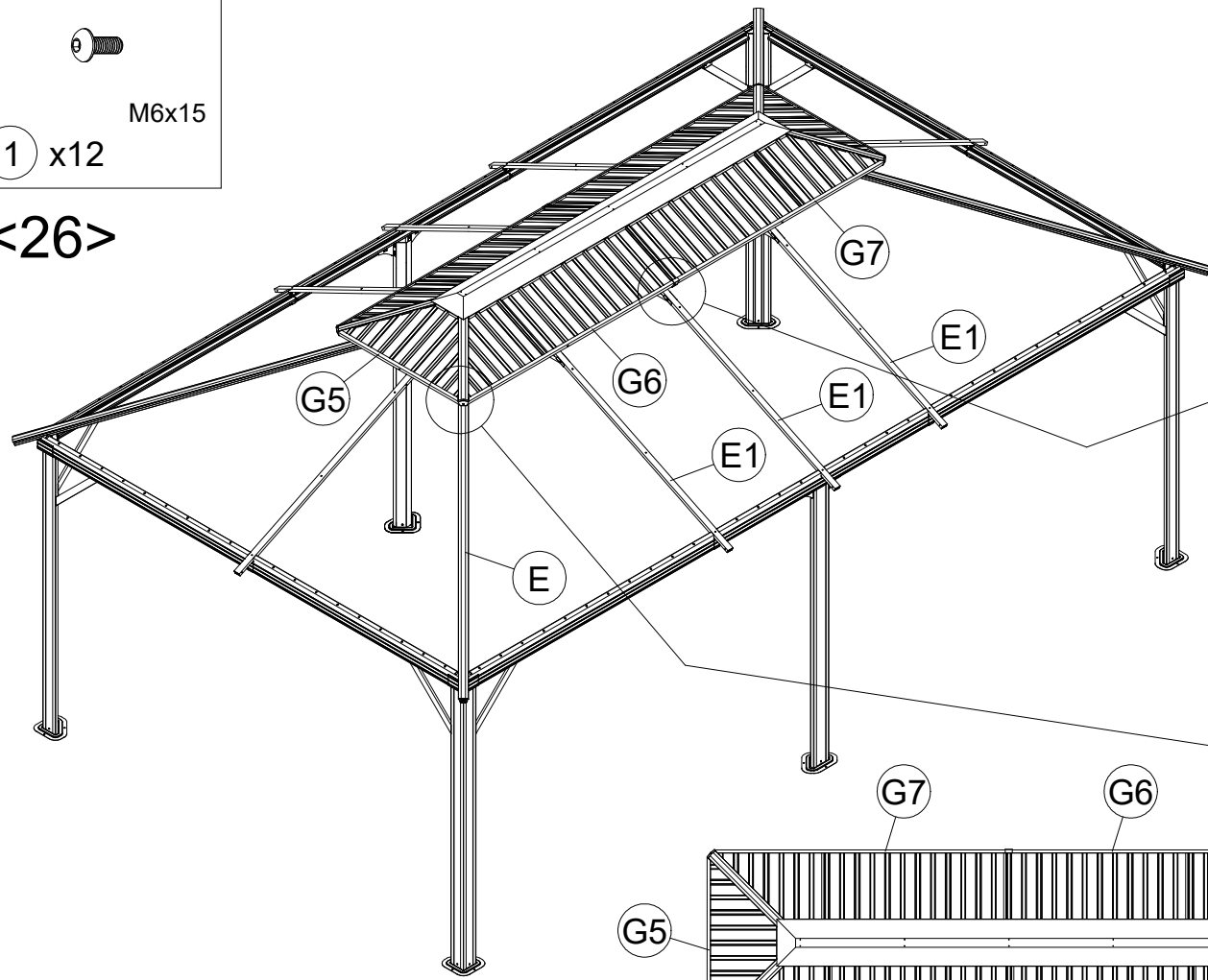
<25>

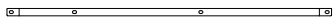


- | | | | | |
|---|--|---|---|---|
|  |  |  |  |  |
| G5 x2 | G6 x2 | G7 x2 | N x4 | N1 x2 |

-  M6x15
1 x12

<26>

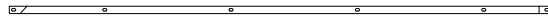




F1 x2



F2 x2



F3 x2



F4 x2

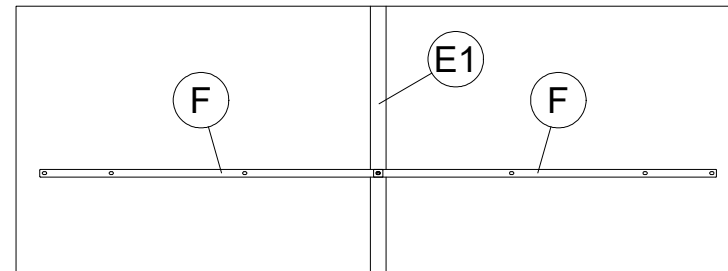
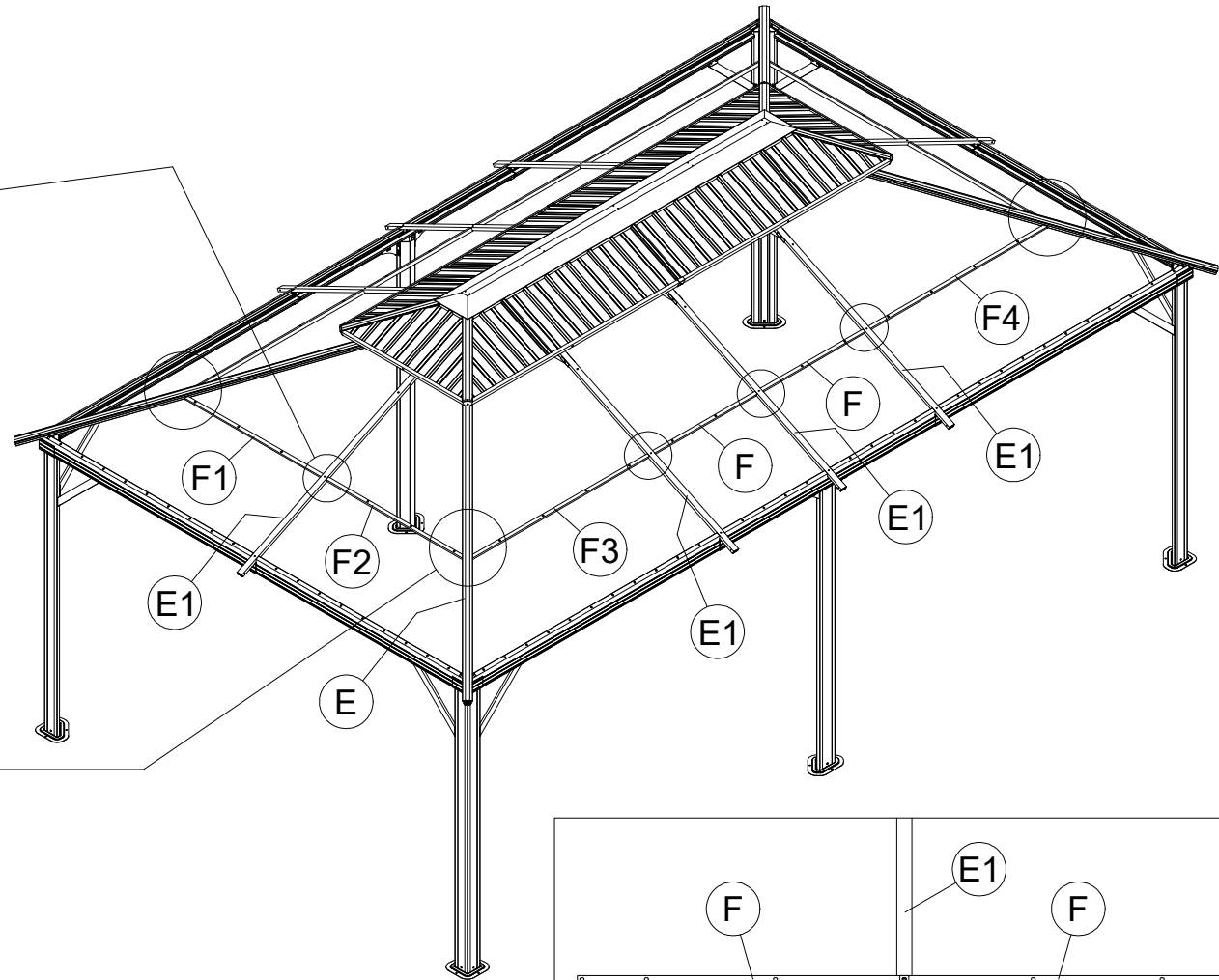
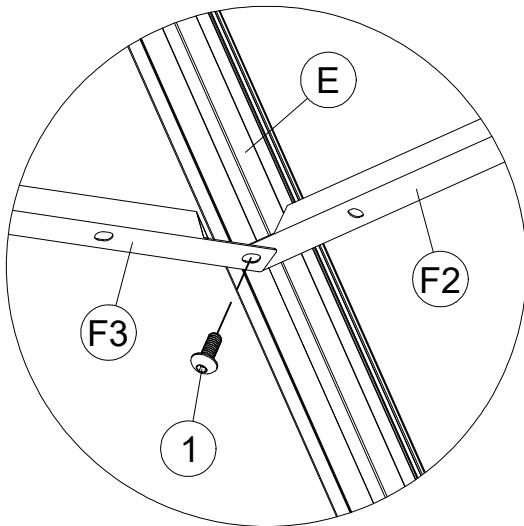
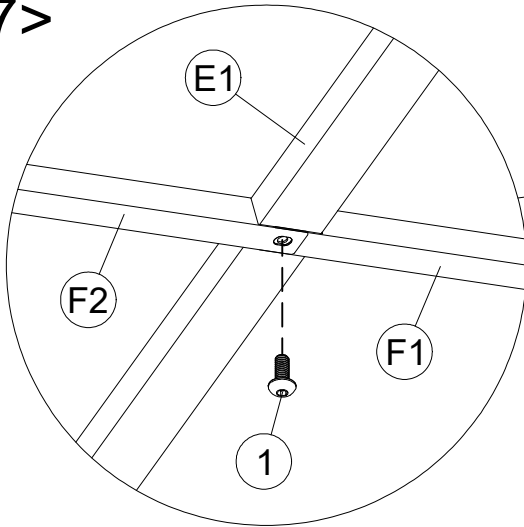
F x4



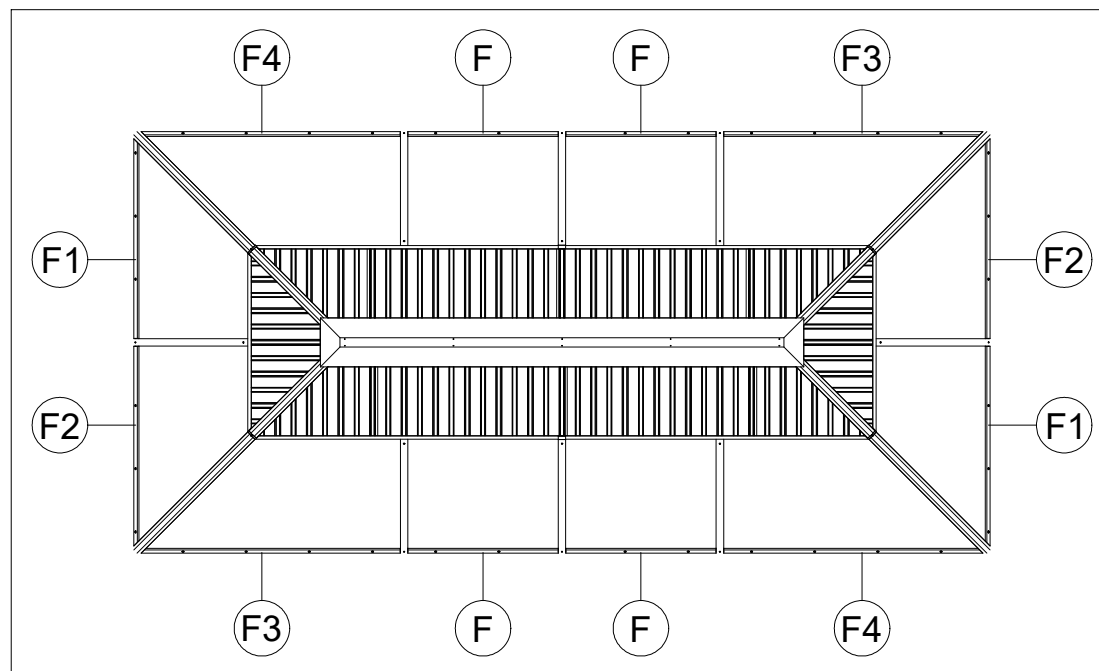
M6x15

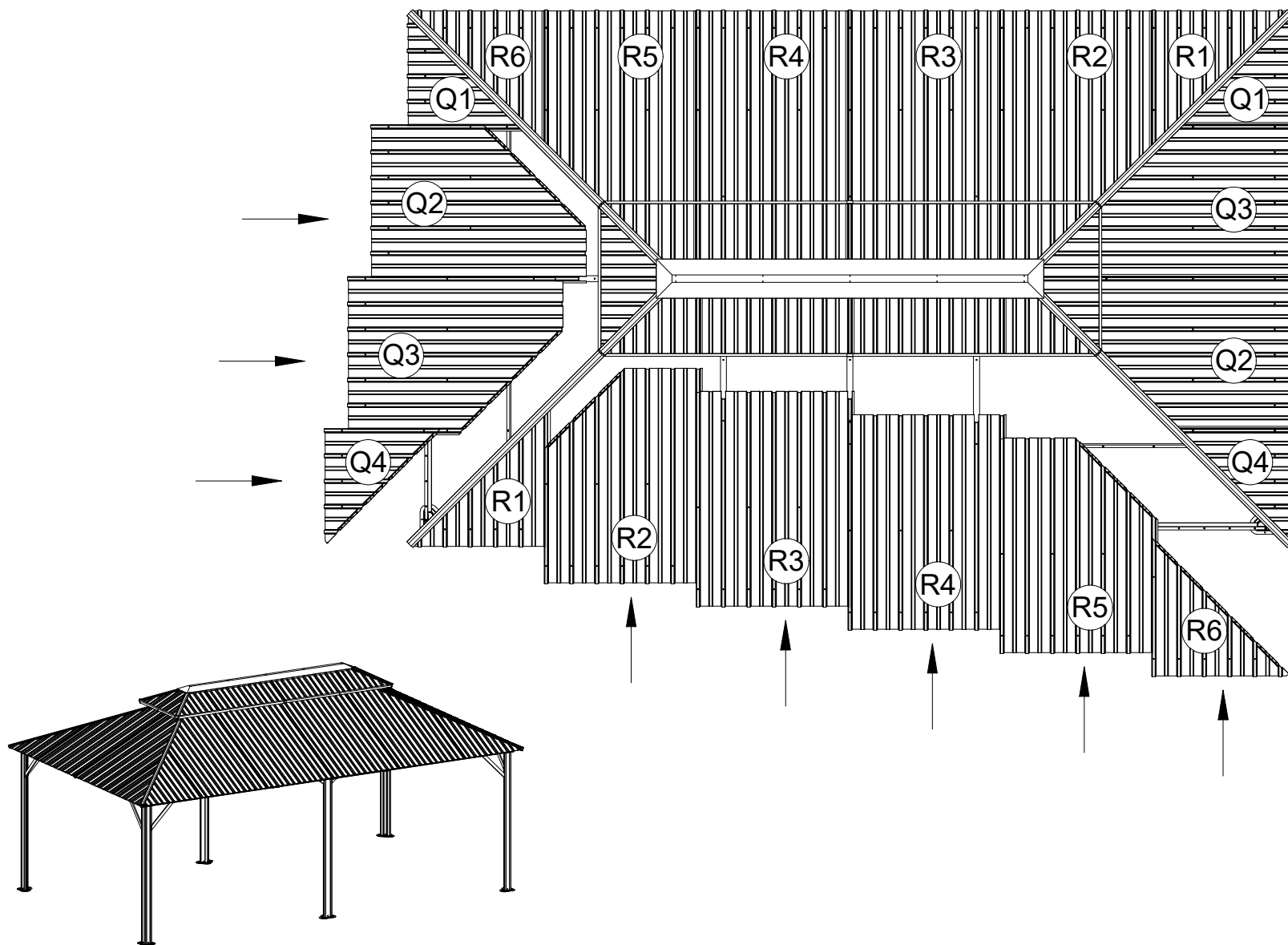
1 x12

<27>

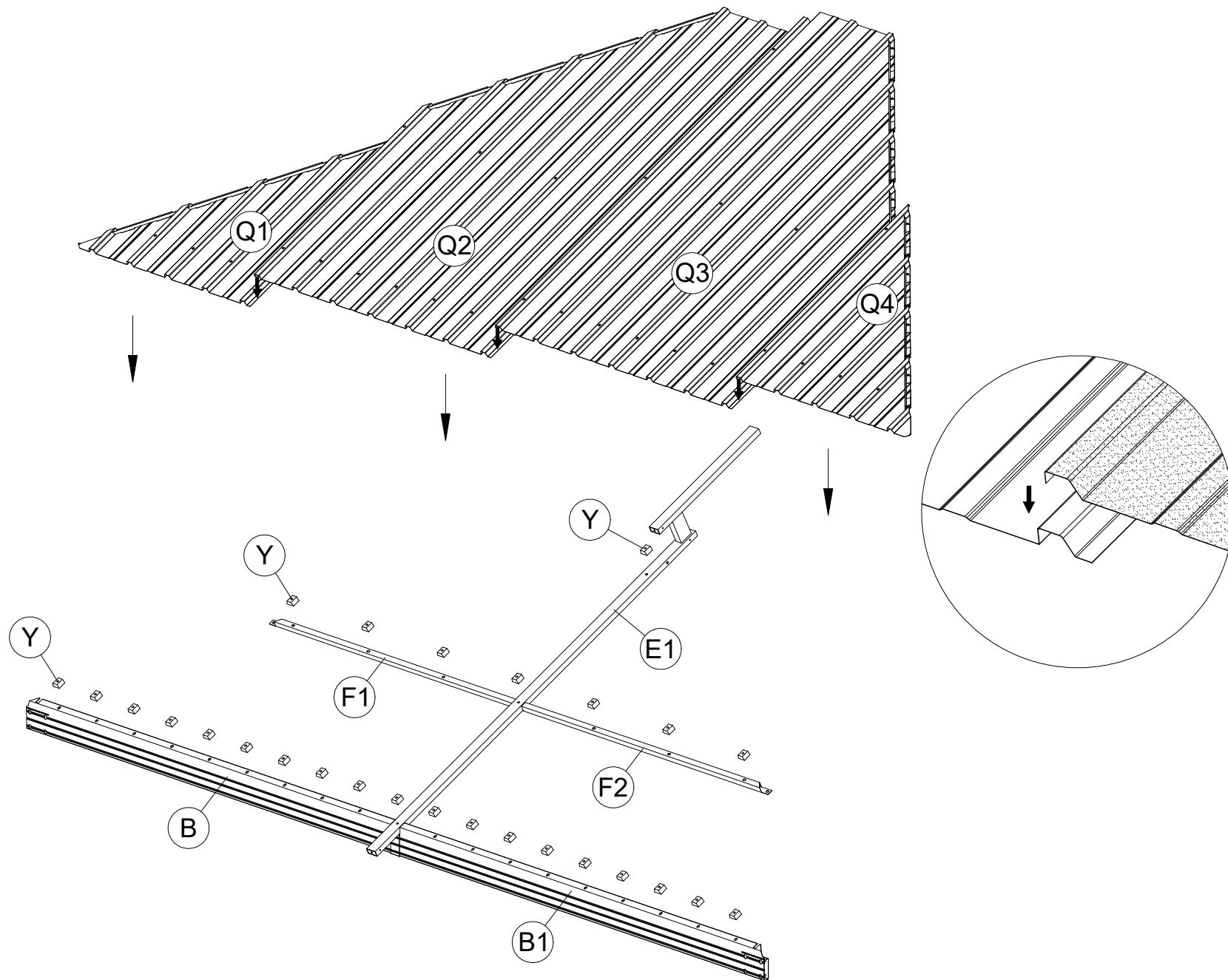


<28>

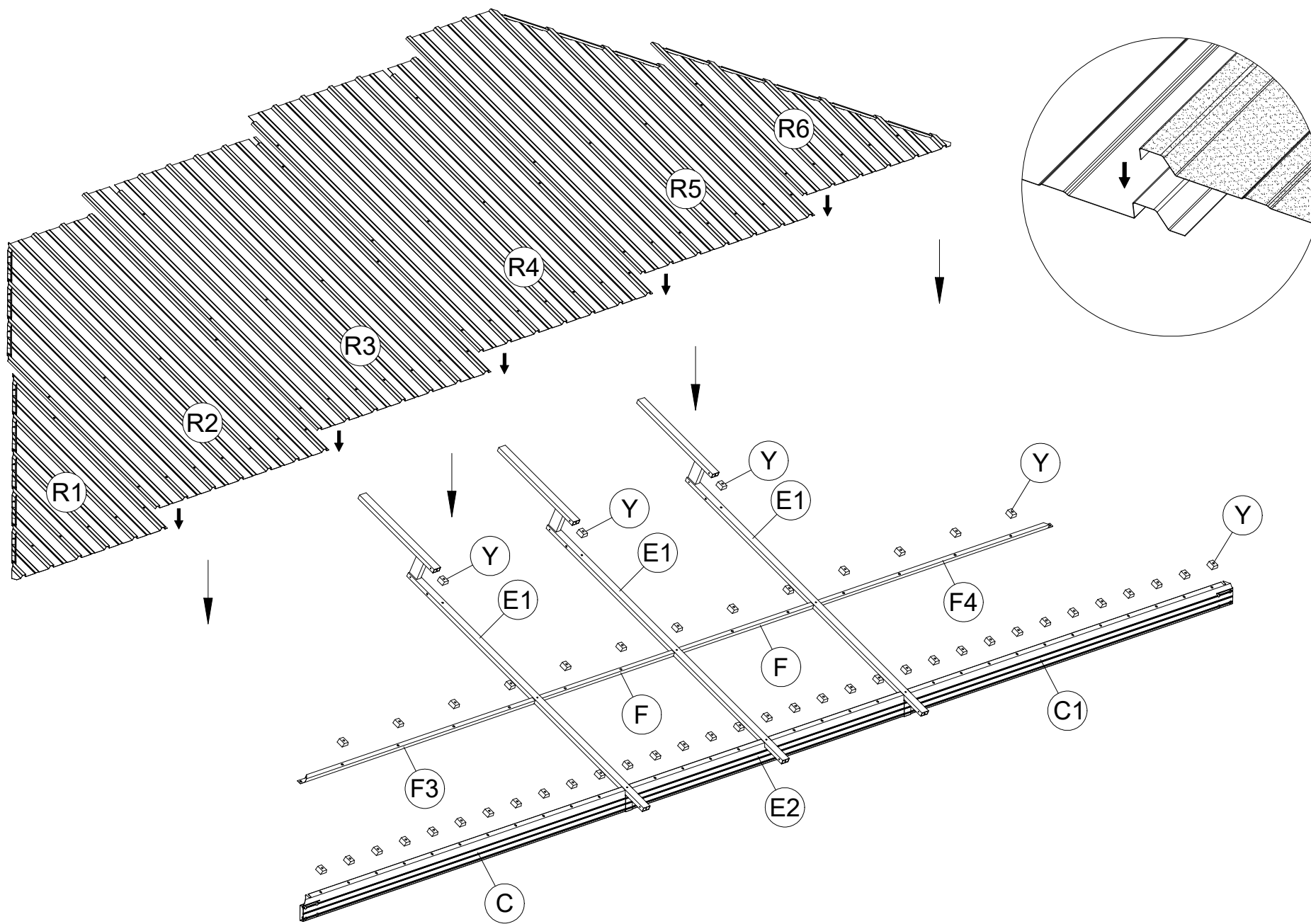


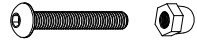
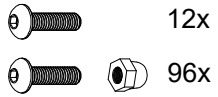


<30>



<31>





Y x152

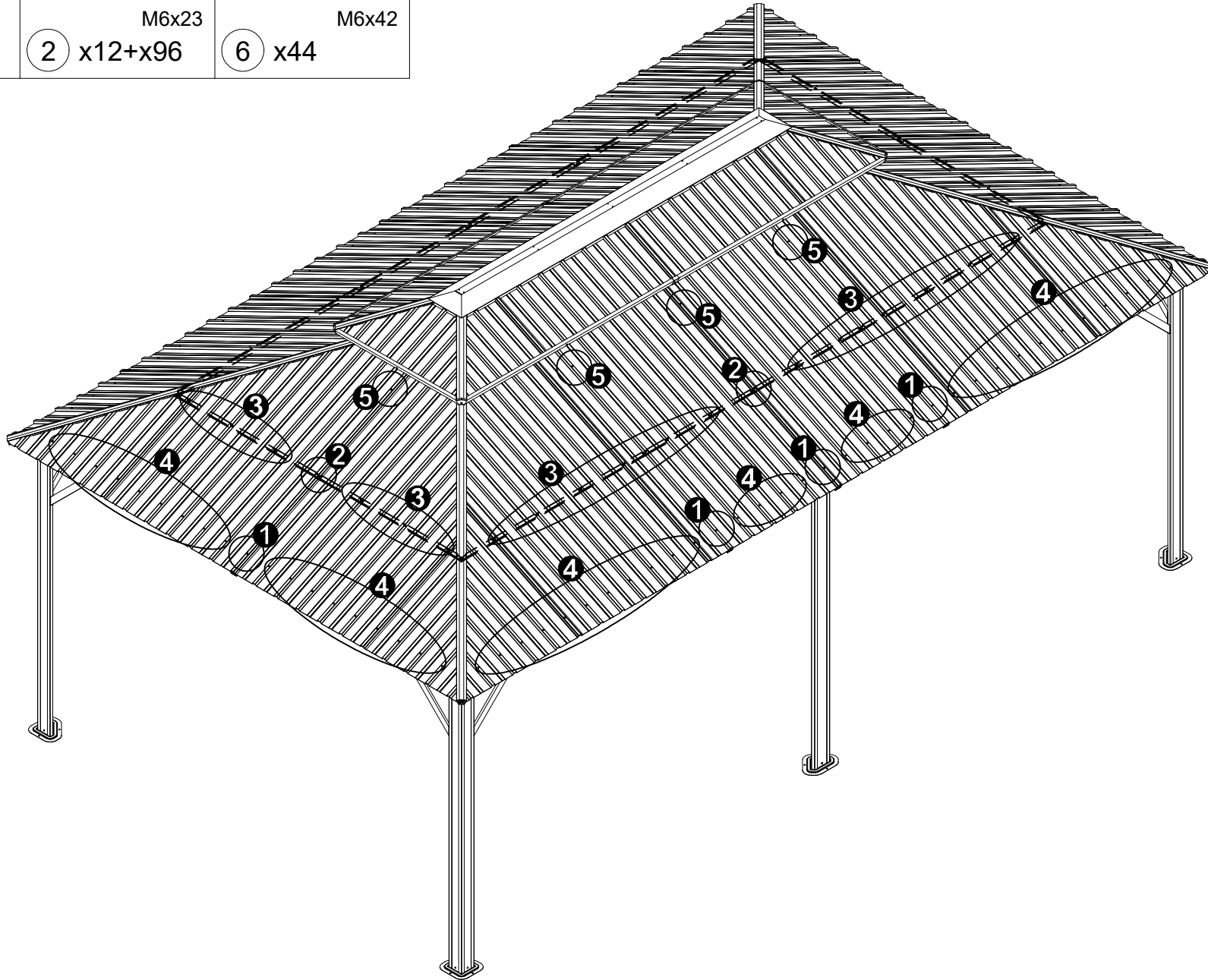
2 x12+x96

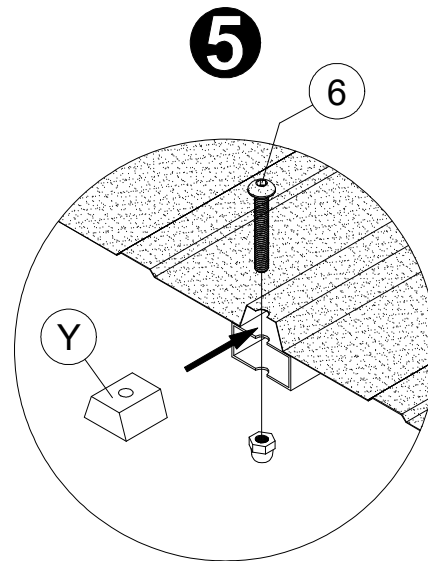
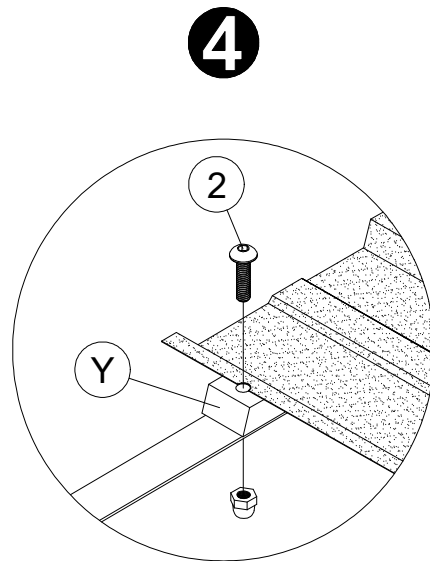
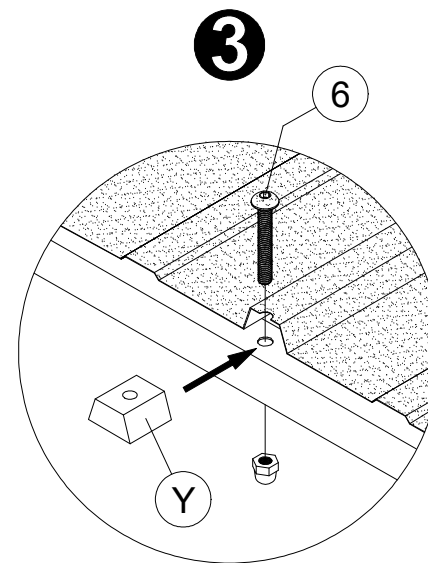
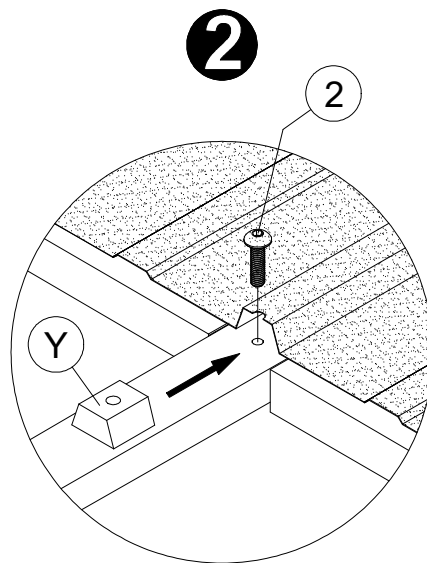
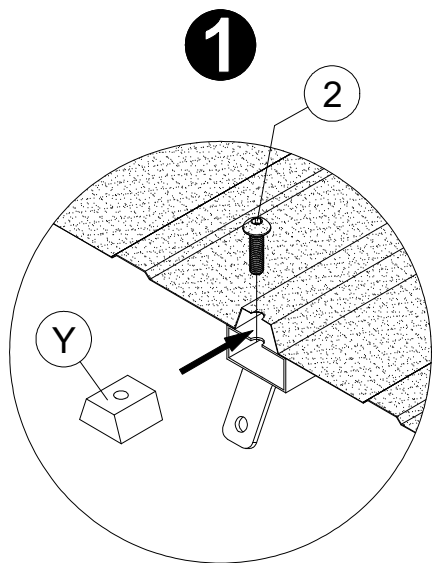
6 x44

M6x23

M6x42

<32>





G1 x2



G2 x2



G3 x2



G4 x2



G x2



N x4



N1 x6

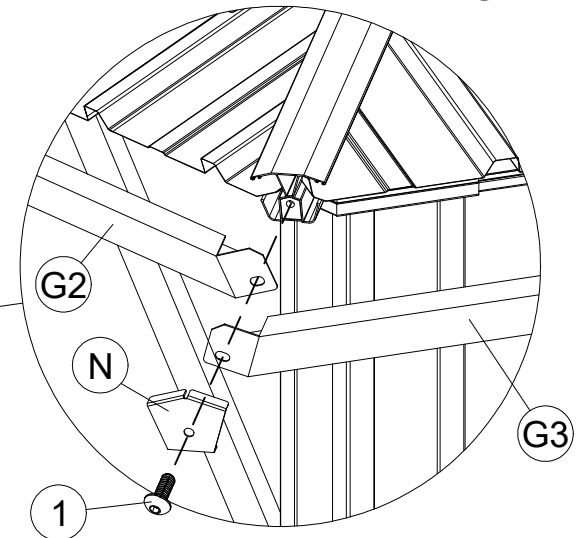
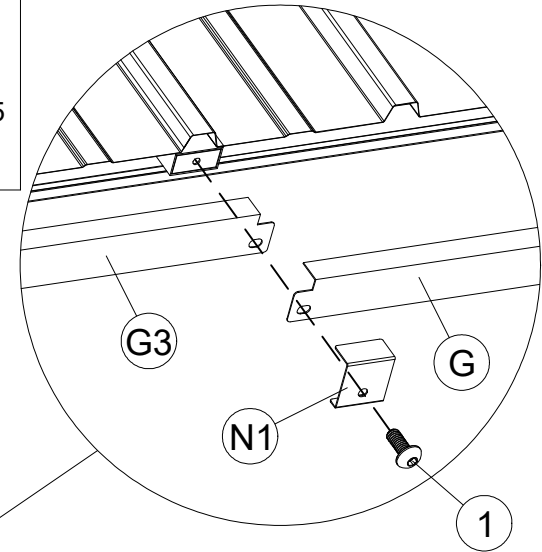
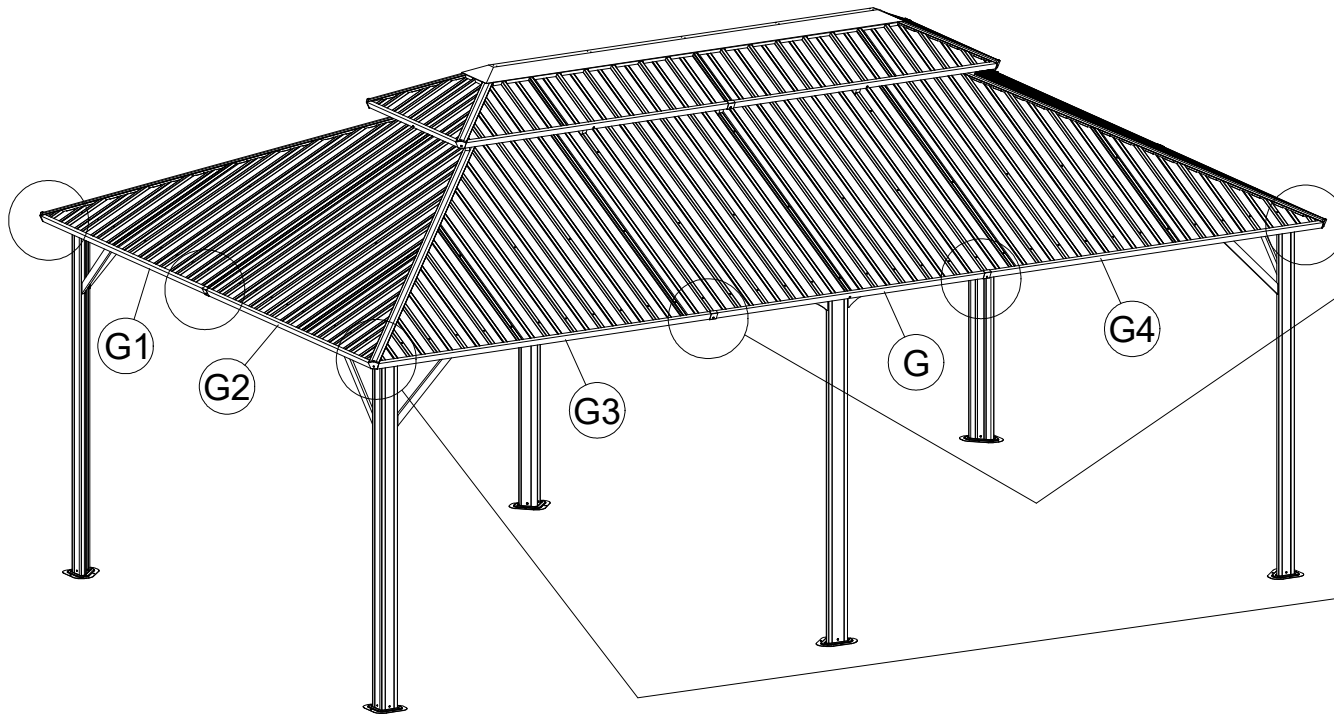


1 x12

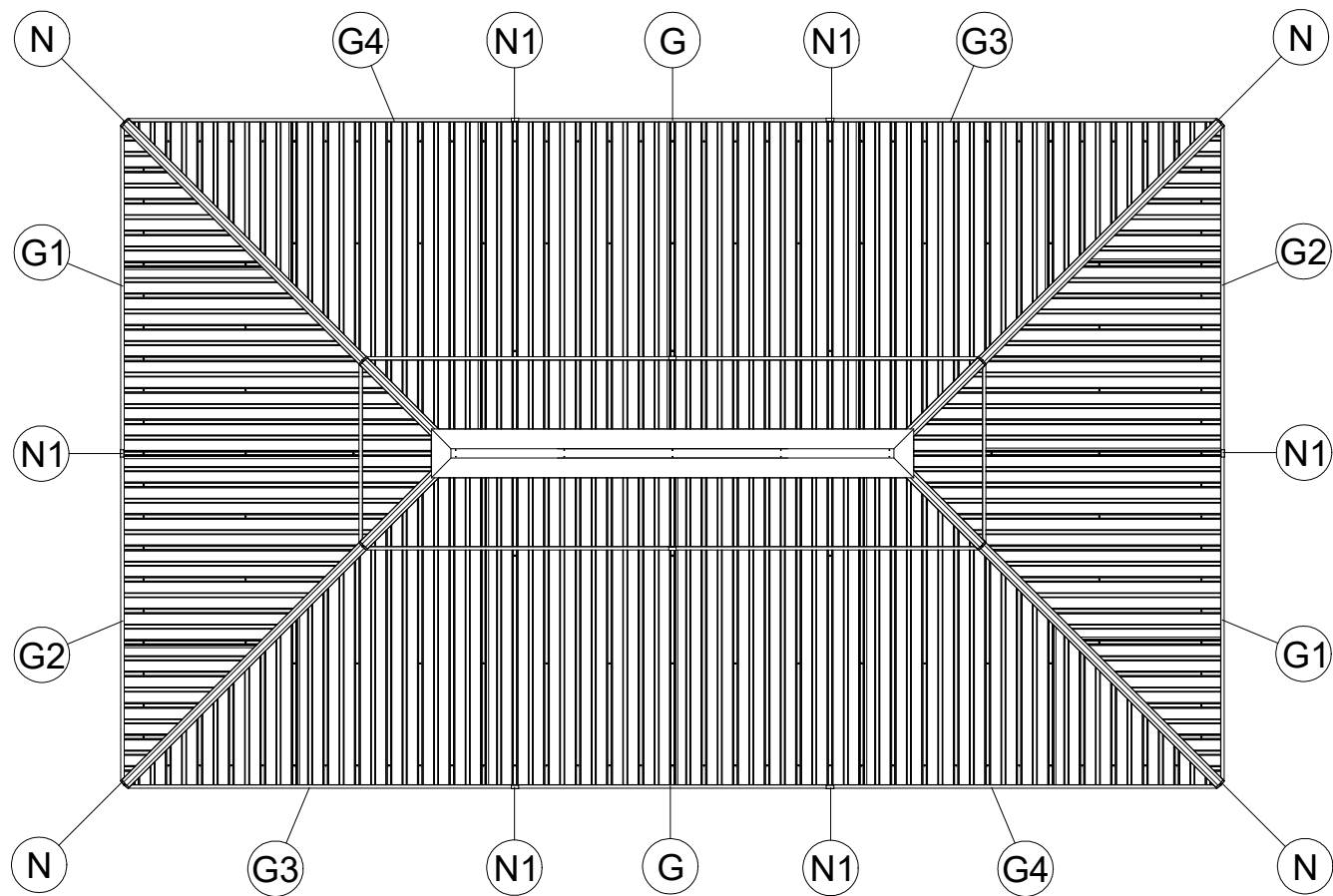


M6x15

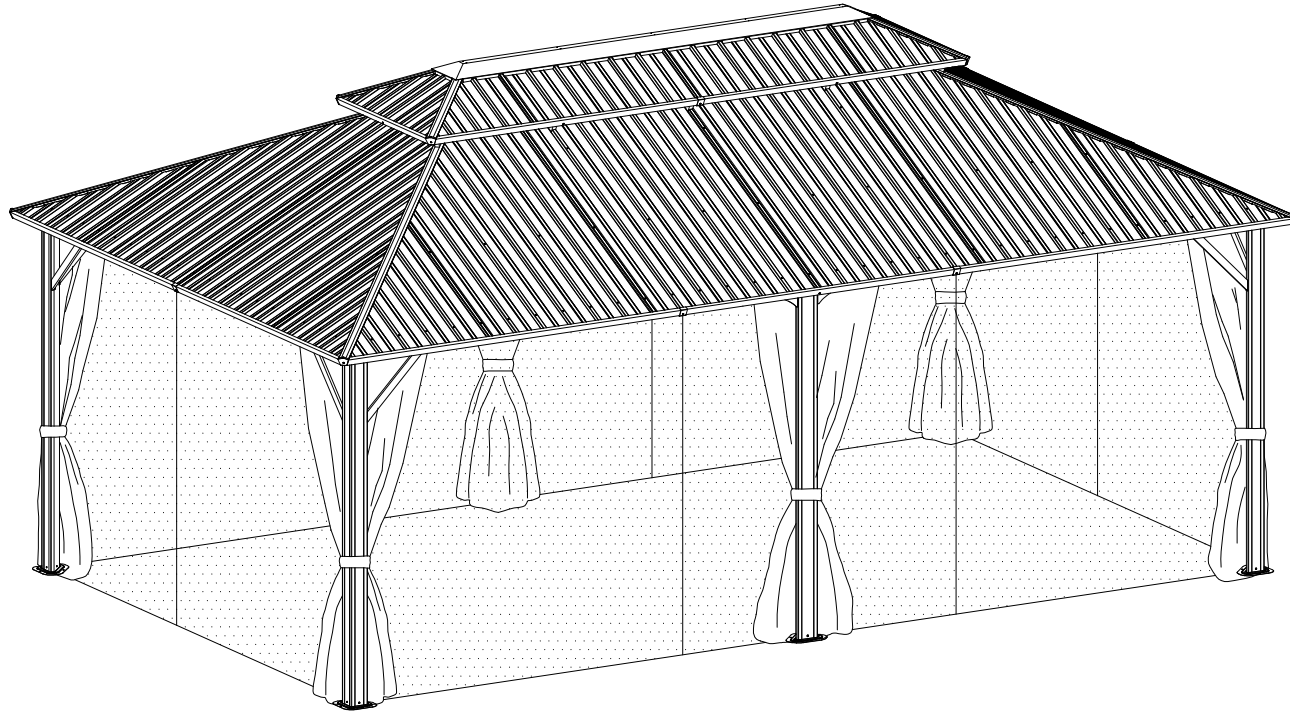
<33>



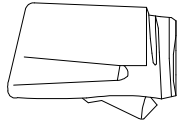
<34>



STEP 4

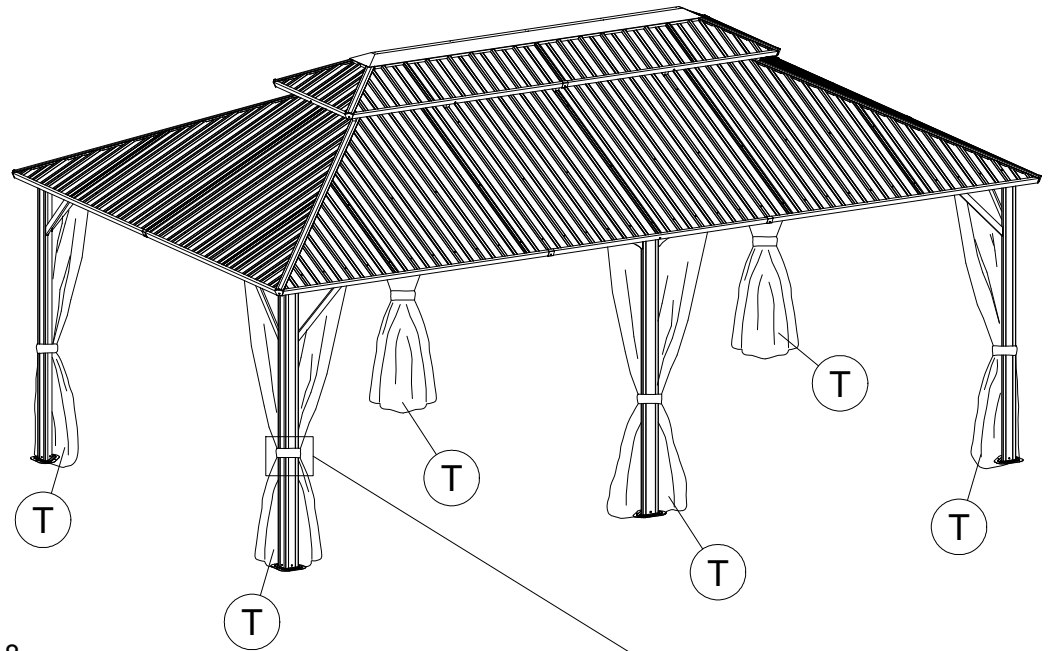
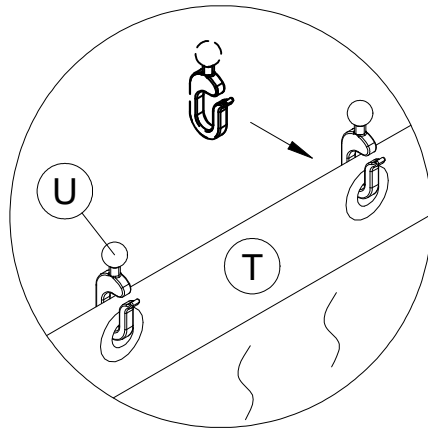
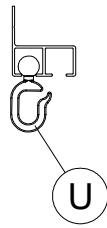


Tip: Be sure to hang the nettings on the inside track and the privacy curtains on the outside track

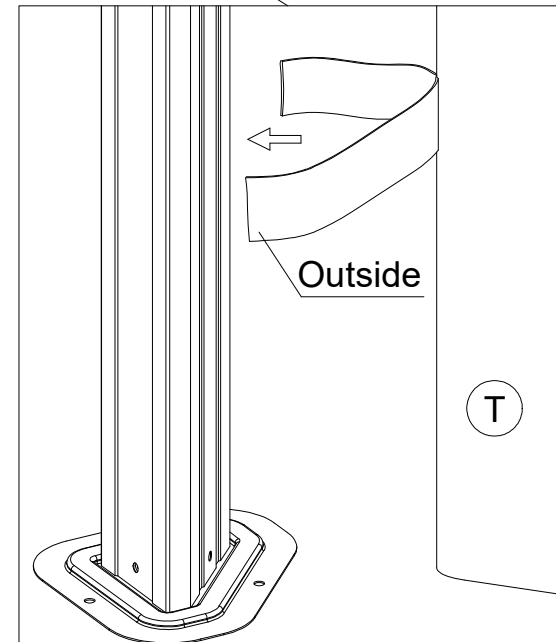
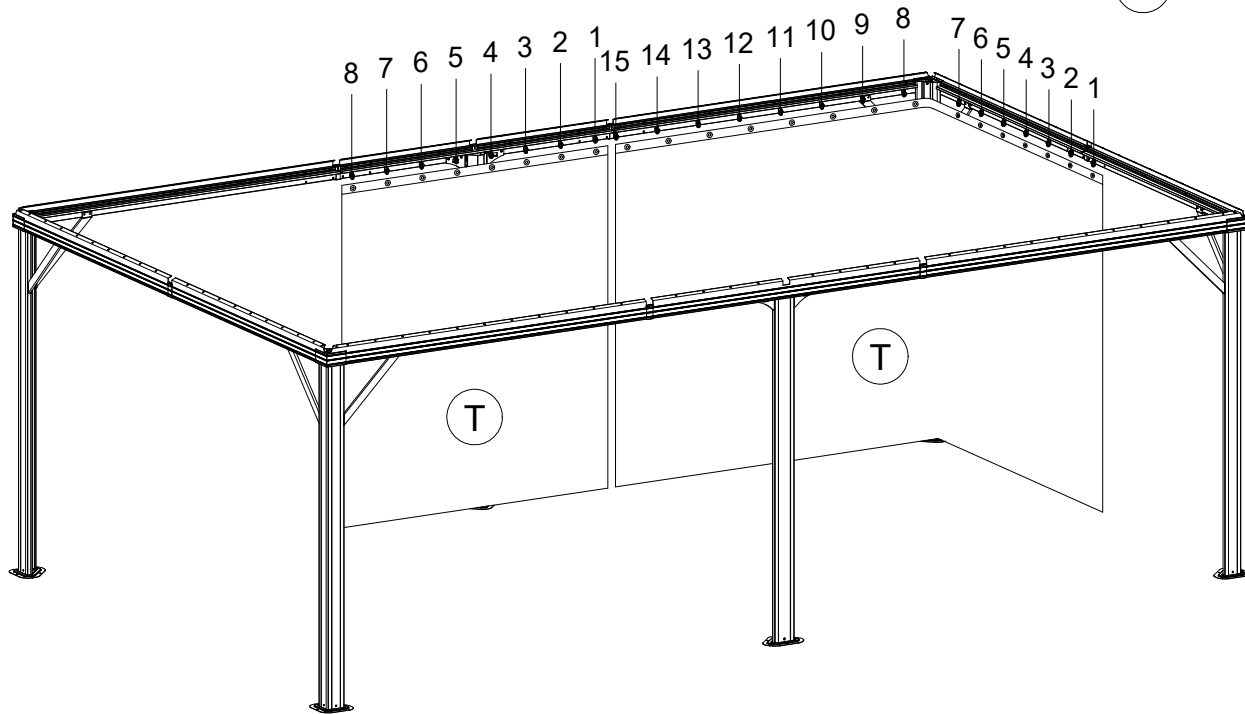


T x4+x2

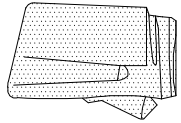
<35>



Tips: When installing curtains, you can first find the tie for the curtain, and then hang the curtain according to the hole number on the left and right sides of the tie.

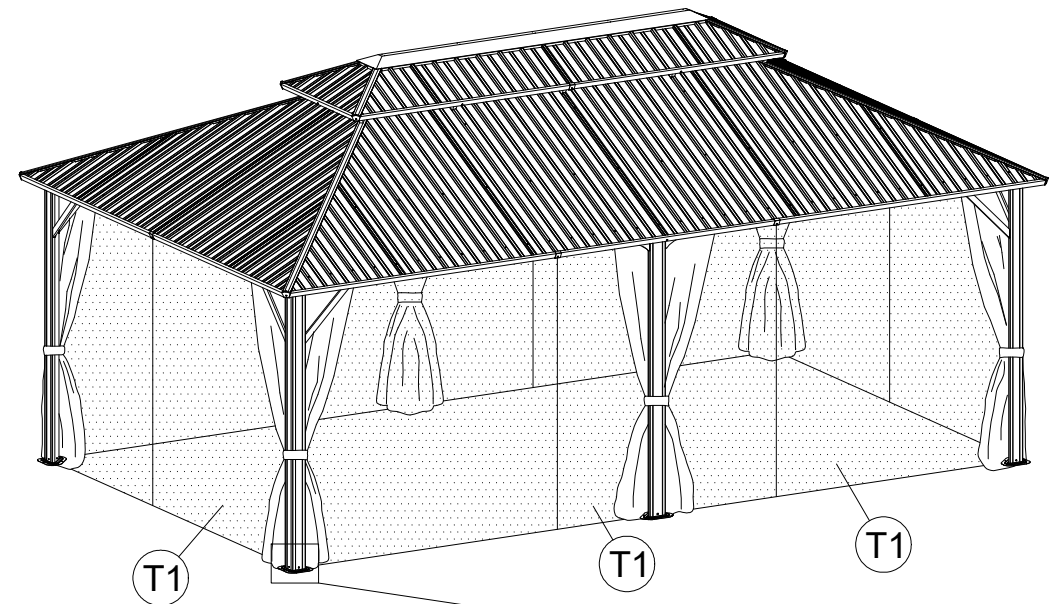
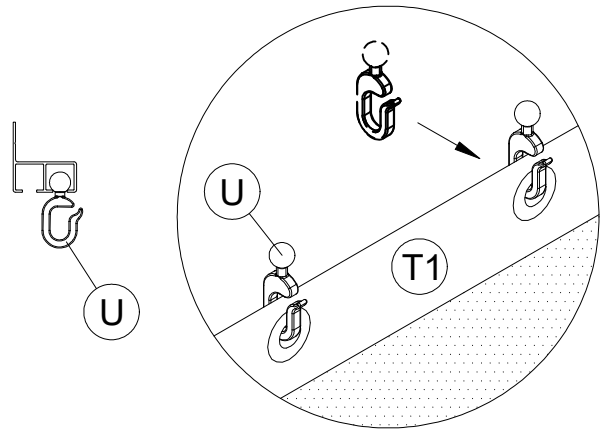


The curtain has outside and inside.

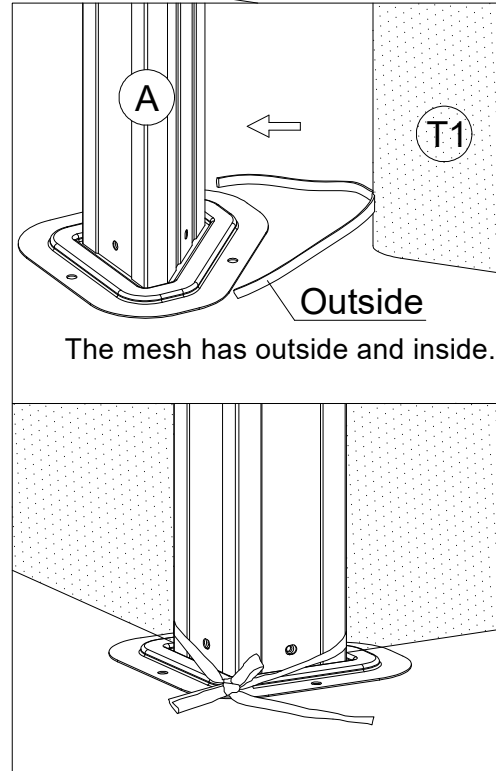
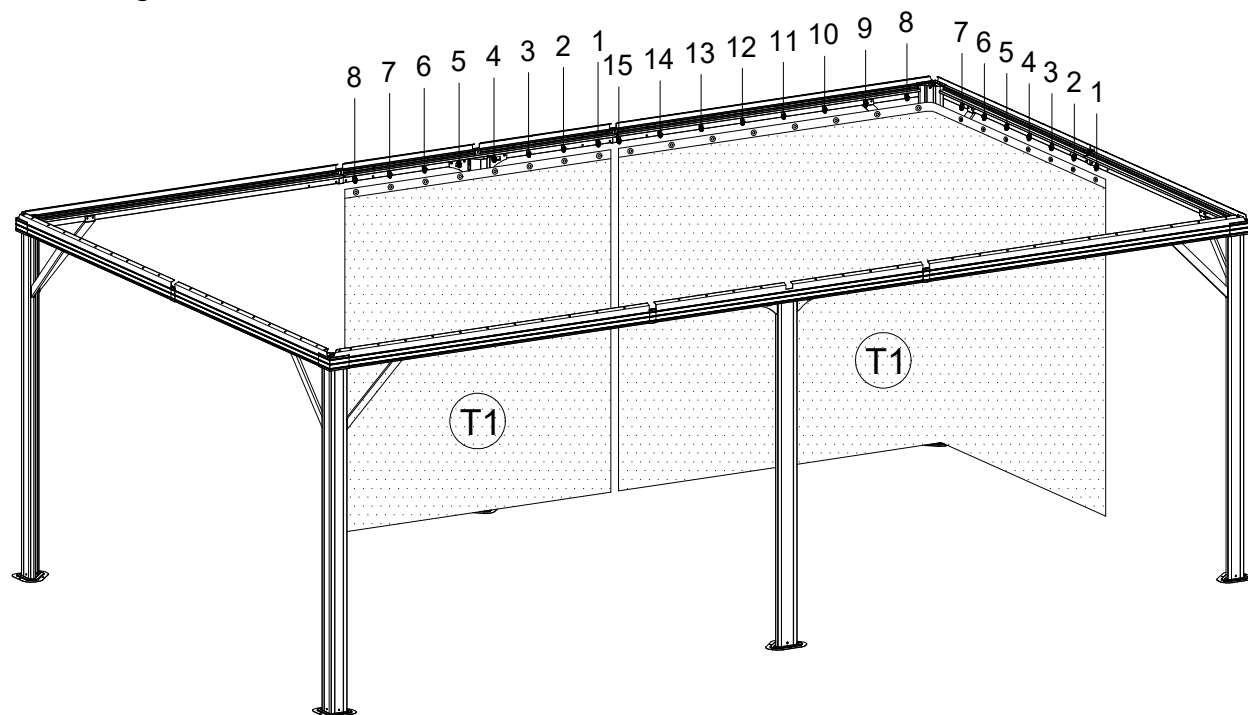


T1 x4+x2

<36>



Tips: When installing nettings, you can first find the tie for the netting, and then hang the netting according to the hole number on the left and right sides of the tie.



The mesh has outside and inside.

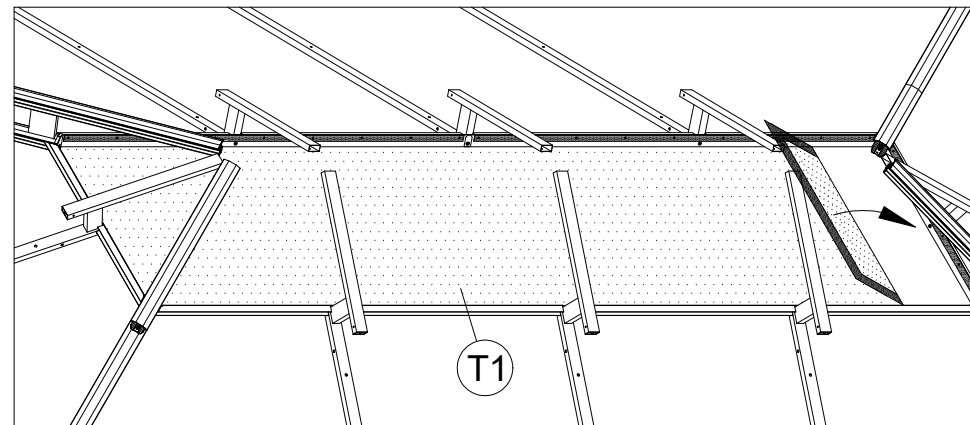
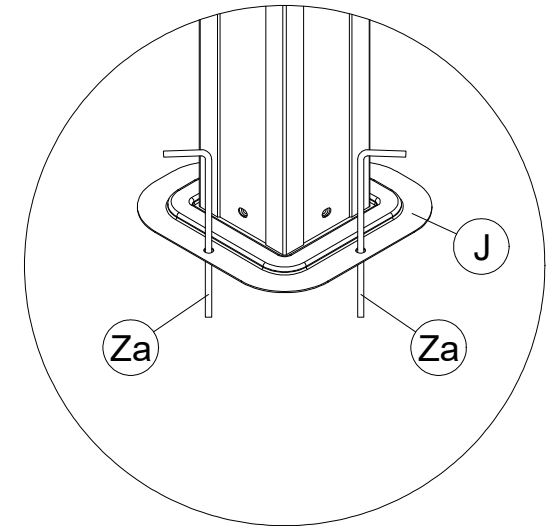
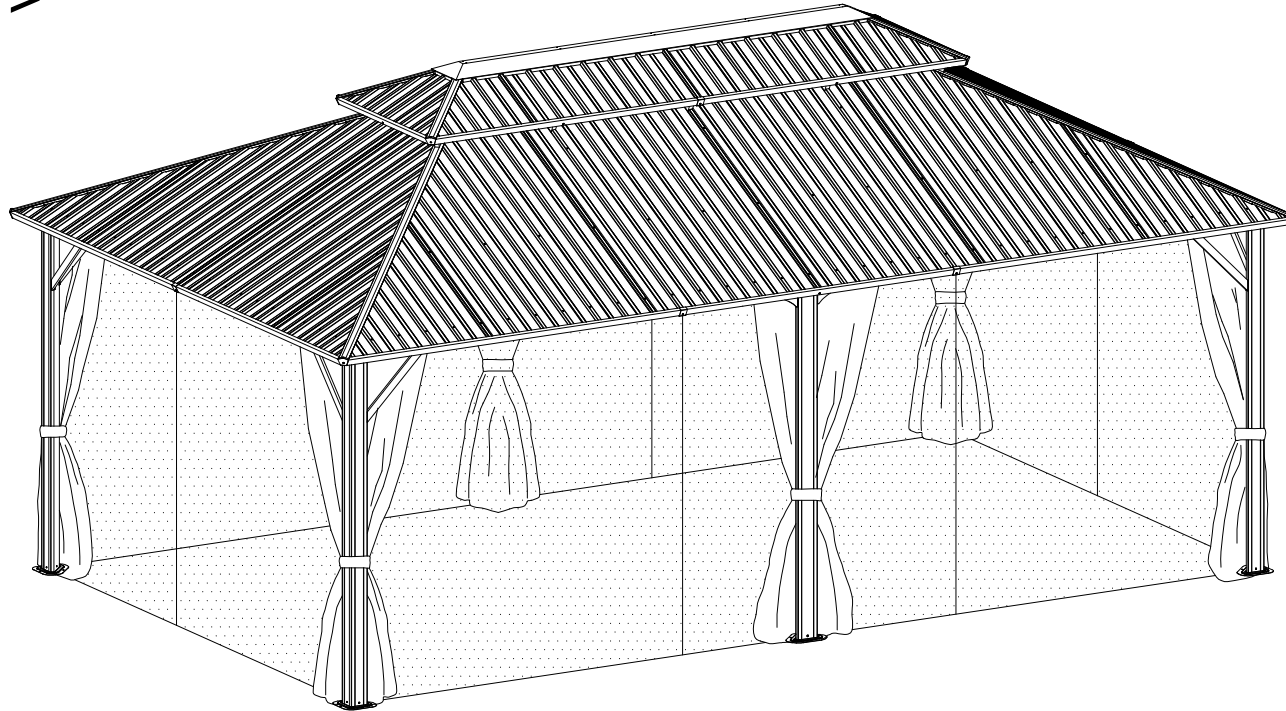


T1 x1



Za x18

<37>



DANCOVER[®]

.com

Contact information

Austria



Belgium



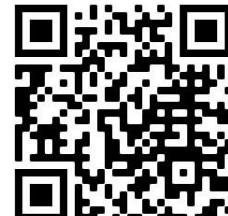
Croatia



Denmark



Estonia



Finland



France



Germany



Ireland



Italy



Latvia



Lithuania



Nederland



Norway



Poland



Portugal



Spain



Sweden



Switzerland



UK



For more information please visit: www.dancovershop.com