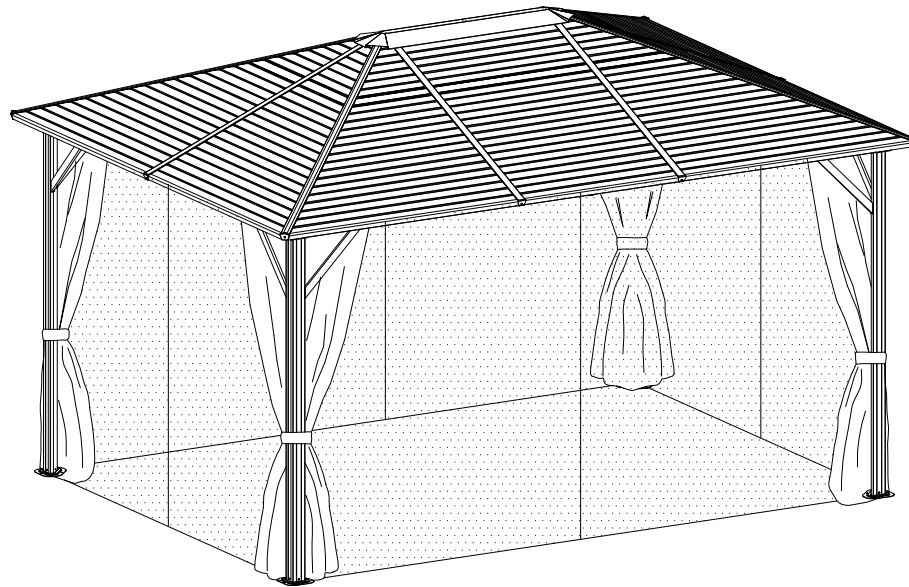


# CosyLifeStyle<sup>®</sup>

Manual  
for  
Gazebo San Luis  
3x4m

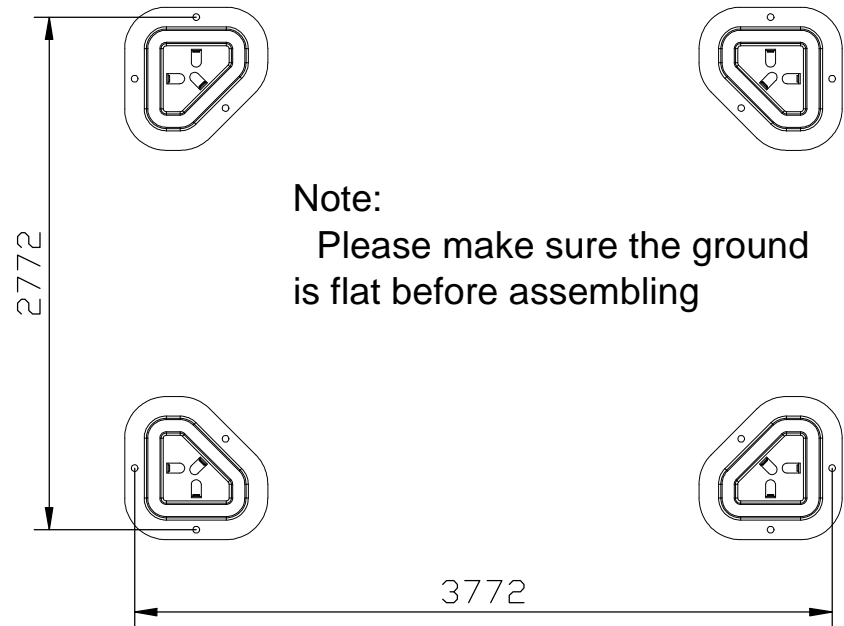
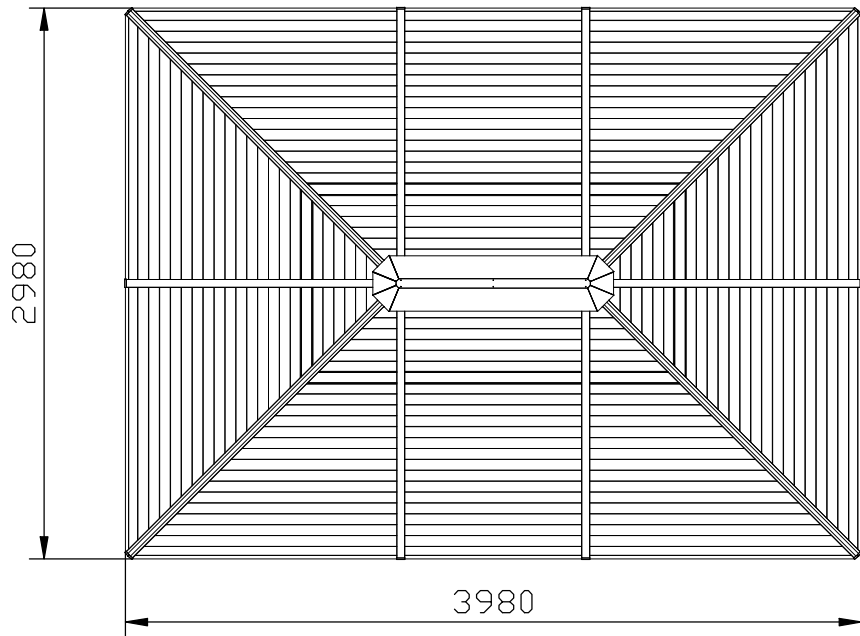
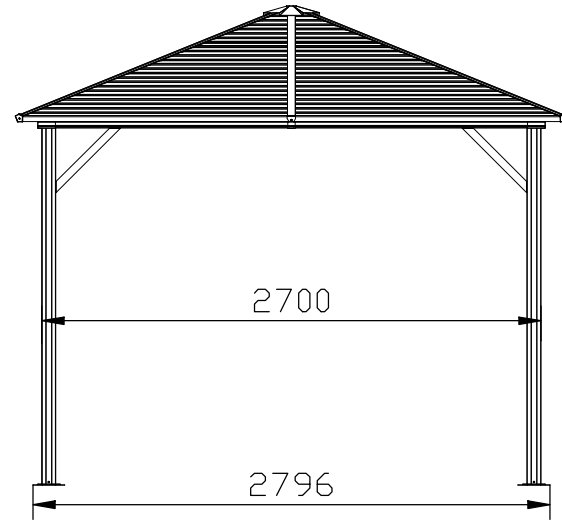
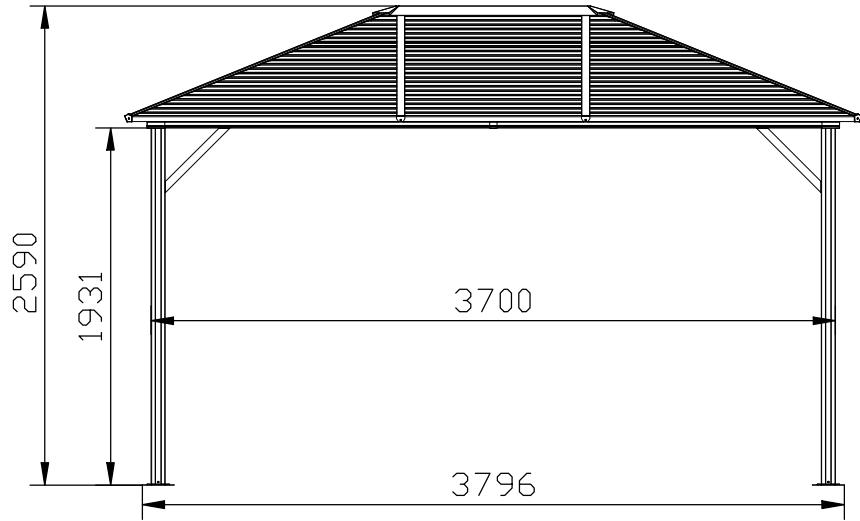
# 3 x 4 M



Assembly requires at least 3 people working together

## REQUIRED TOOLS



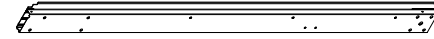


Note:  
Please make sure the ground  
is flat before assembling

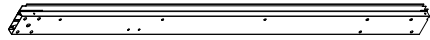
(A) x4



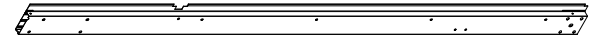
(B) x2



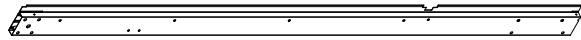
(B1) x2



(C) x2



(C1) x2



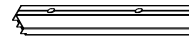
(D) x2



(D1) x2



(D2) x2



(D3) x2



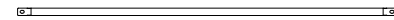
(E) x4






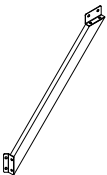
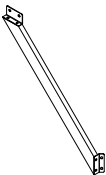
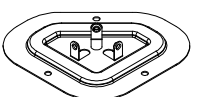
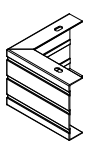

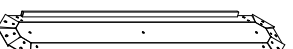



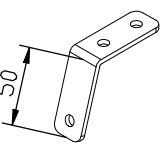
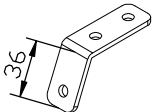
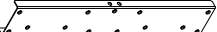


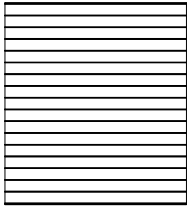
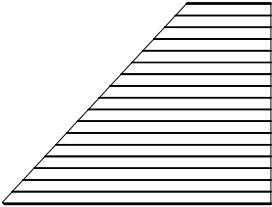
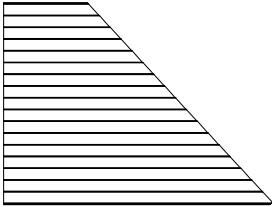
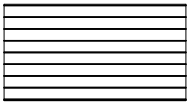
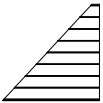
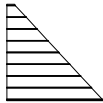
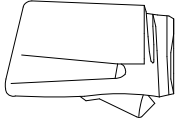
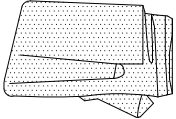

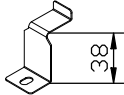
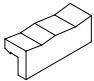
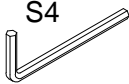
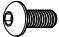
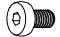




(E1) x6



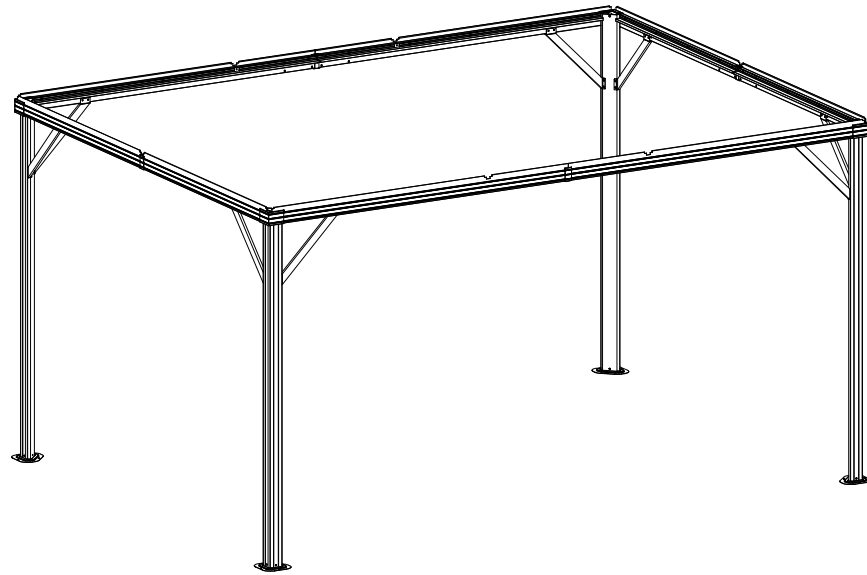
(F) x2



 <p><b>F1</b> x4</p>	 <p><b>F2</b> x4</p>		
 <p><b>G1</b> x4</p>	 <p><b>G2</b> x4</p>		
 <p><b>G</b> x2</p>	 <p><b>H1</b> x4</p>	 <p><b>H2</b> x4</p>	
 <p><b>J</b> x4</p>	 <p><b>K</b> x4</p>	 <p><b>K1</b> x4</p>	 <p><b>L</b> x1</p>
 <p><b>M</b> x1</p>	 <p><b>N</b> x4</p>	 <p><b>N1</b> x6</p>	 <p><b>N2</b> x4</p>
 <p><b>N3</b> x6</p>	 <p><b>P</b> x4</p>		

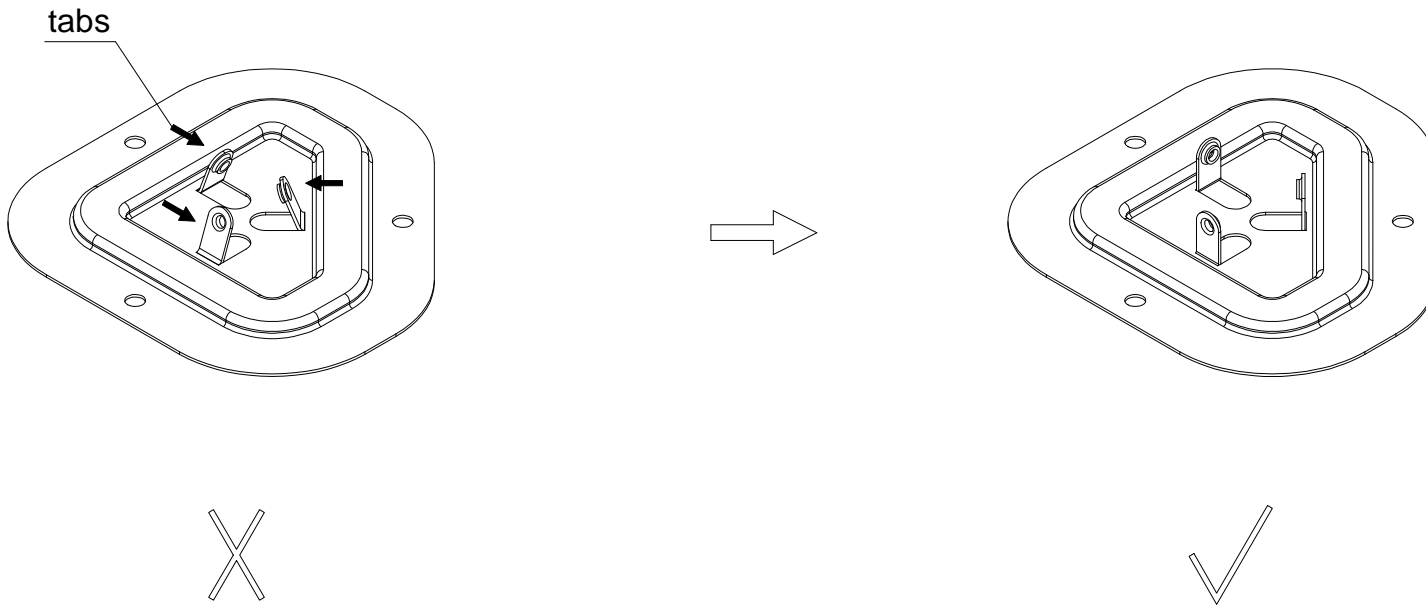
 <p>Q x2</p>	 <p>Q1 x4</p>	 <p>Q2 x4</p>	 <p>R x2</p>	 <p>R1 x4</p>	 <p>R2 x4</p>
 <p>T x4</p>	 <p>T1 x4</p>	 <p>U x112</p>		 <p>V x4</p>	
 <p>Y x20</p>	 <p>S4 x1</p>				
 <p>1 x139 M6x15</p>	 <p>2 x32 M6x10</p>	 <p>3 x48 M5x12</p>	 <p>4 x24 ST4.8x12</p>	 <p>5 x2</p>	
 <p>Za x12</p>					

# STEP 1



Tips: When installing the screws, don't tighten them all the way first, just roughly hold them in place, and when you're sure that all the parts are installed, then you can tighten the screws to secure the frame.

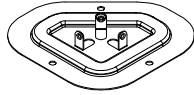
<1>



Tips: If the tabs on the base are crooked, you can use pliers to straighten them for easy screw installation



A x4



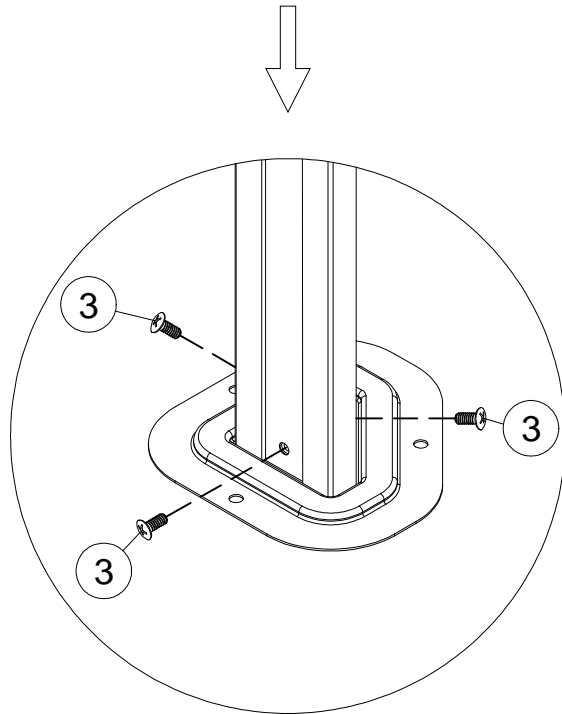
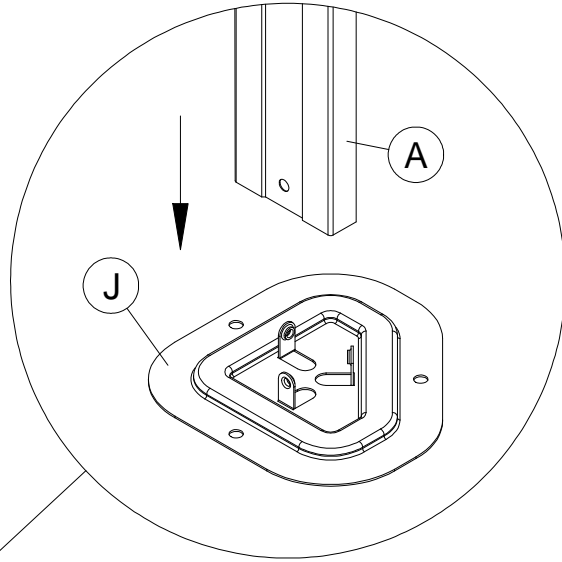
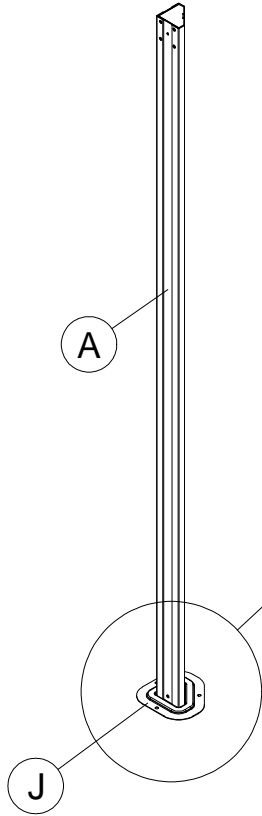
J x4



M5x12

3 x12

<2>

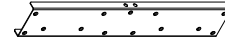




(B) x2



(B1) x2



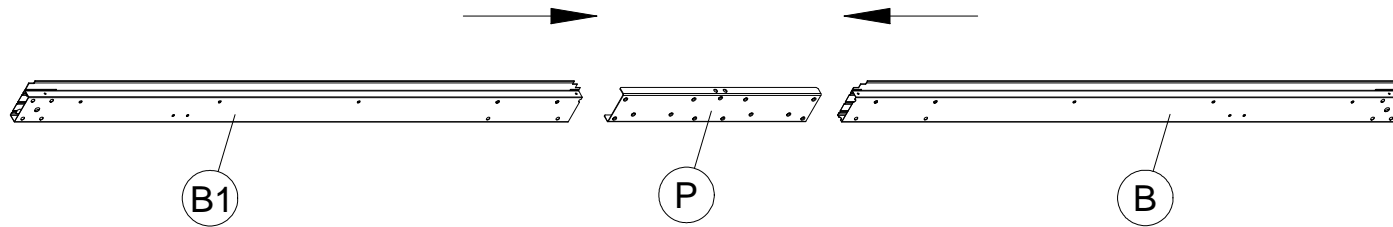
(P) x2



M6x15

(1) x12

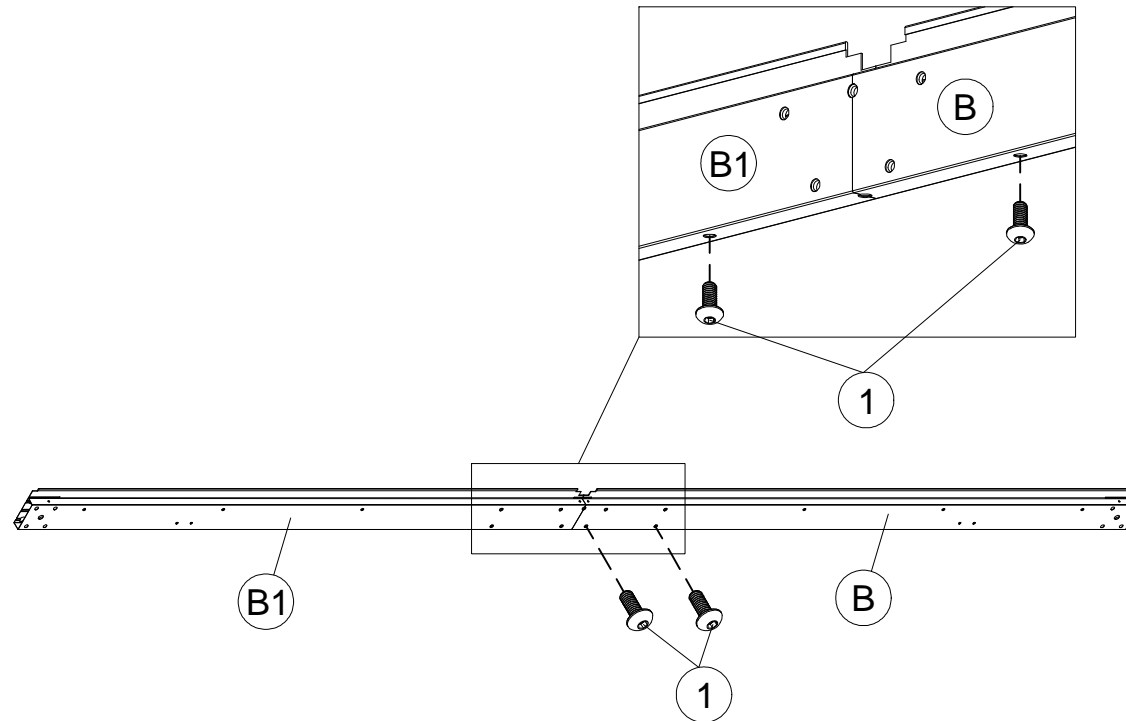
<3>

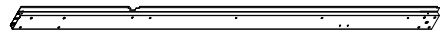


Tip 1: Use #1 screws to line up the holes in beam B1 and connector P, then connect beam B.

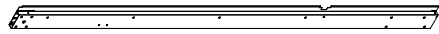
Tip 2: When installing the screws, just hold them roughly in place and then tighten all the screws when you have the entire part connection aligned.

<4>

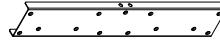




C x2



C1 x2



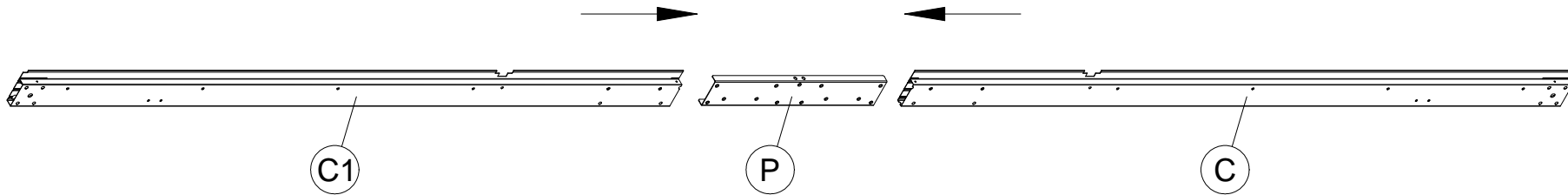
P x2



M6x15

1 x12

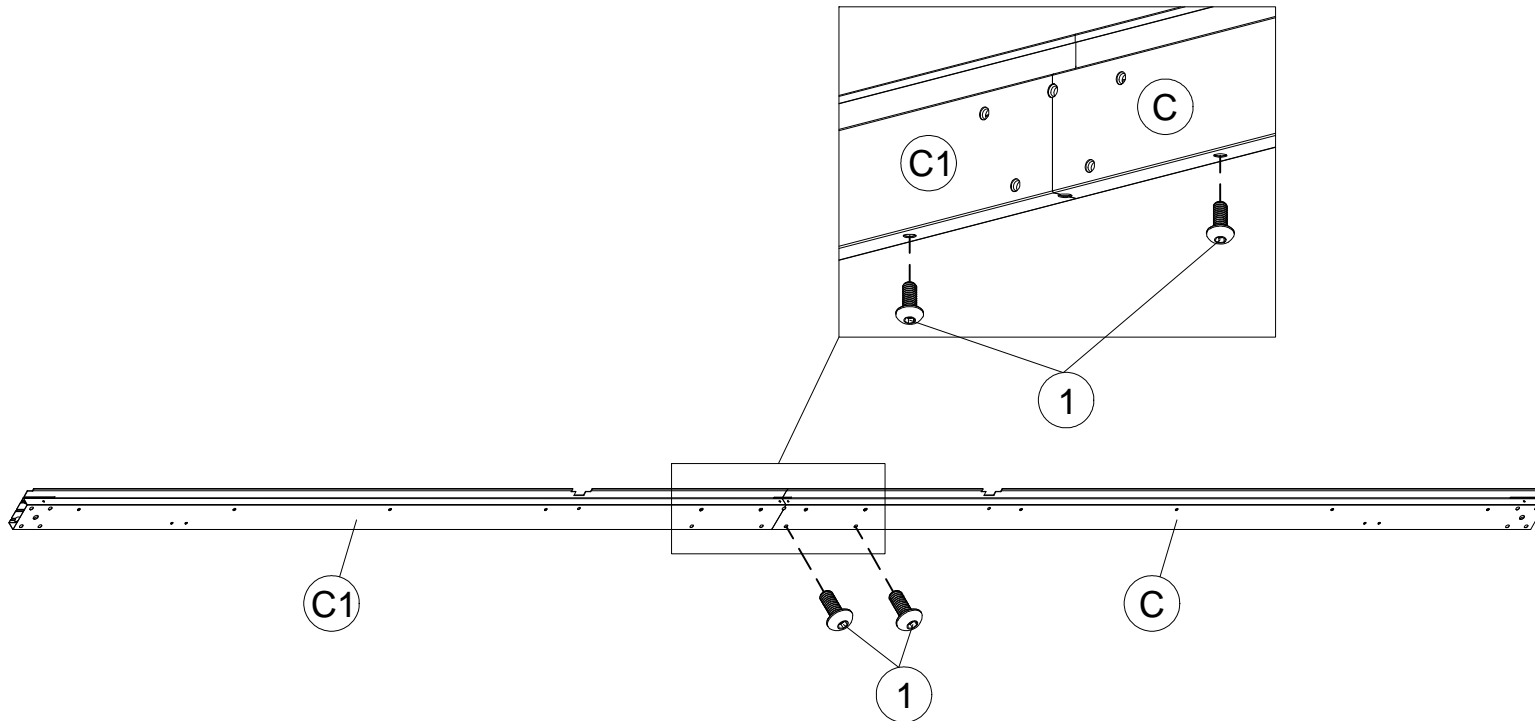
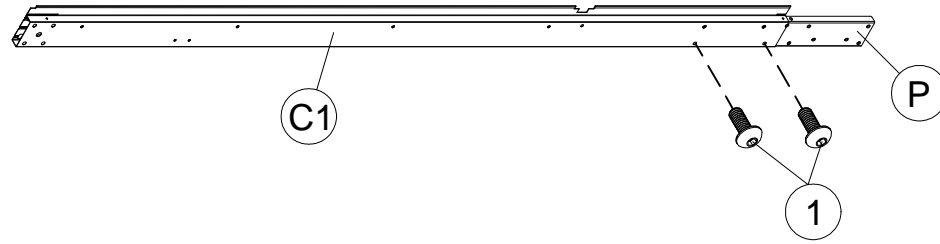
<5>



Tip 1: Use #1 screws to line up the holes in beam C1 and connector P, then connect beam C.

Tip 2: When installing the screws, just hold them roughly in place and then tighten all the screws when you have the entire part connection aligned.

<6>

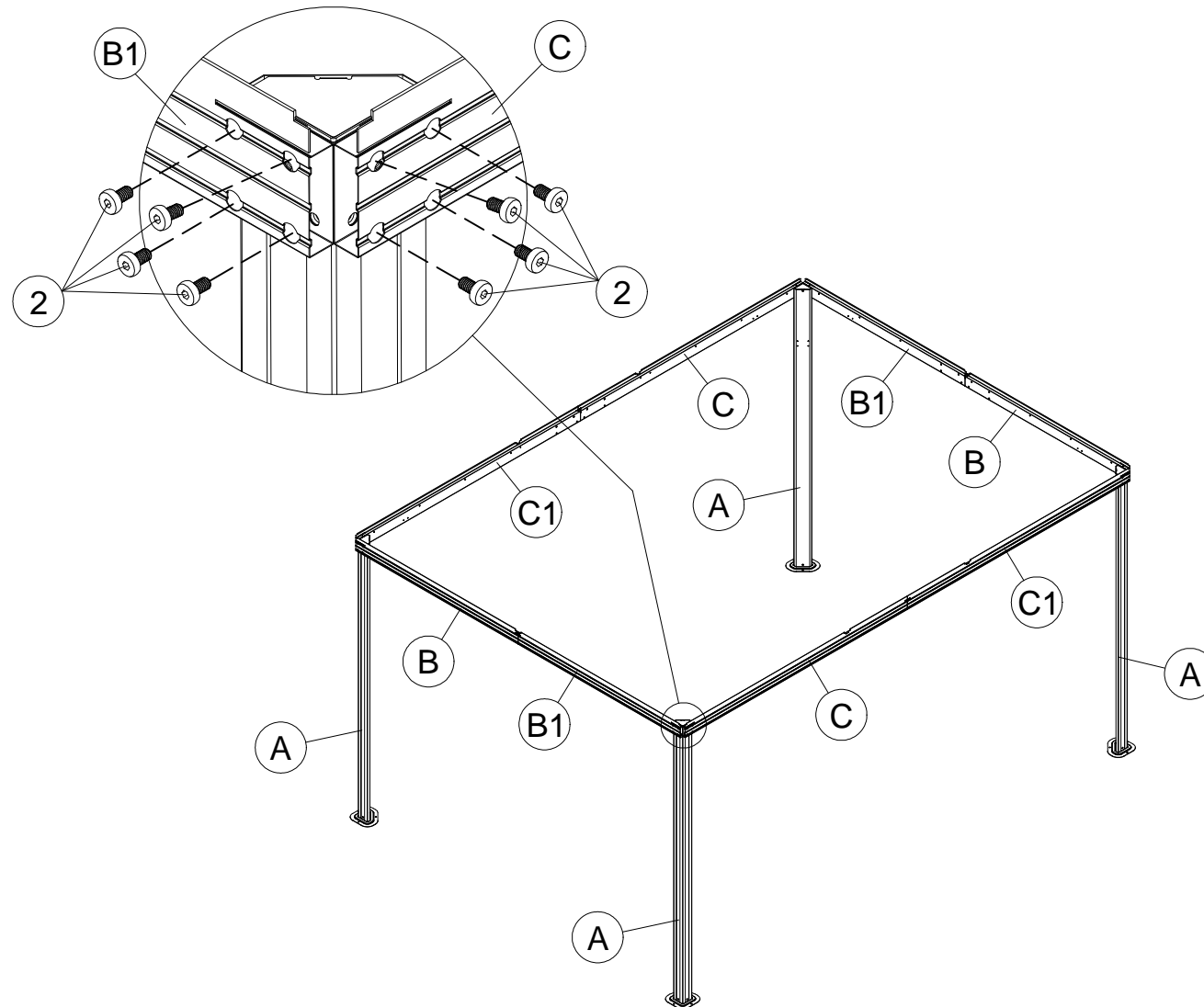


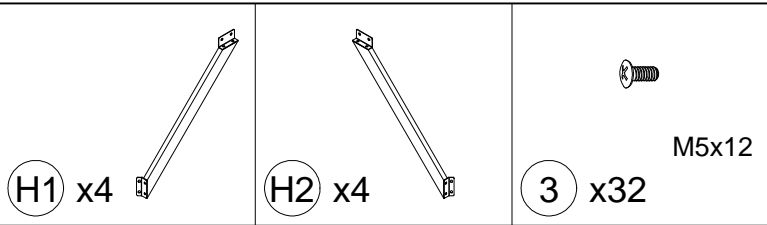


M6x10

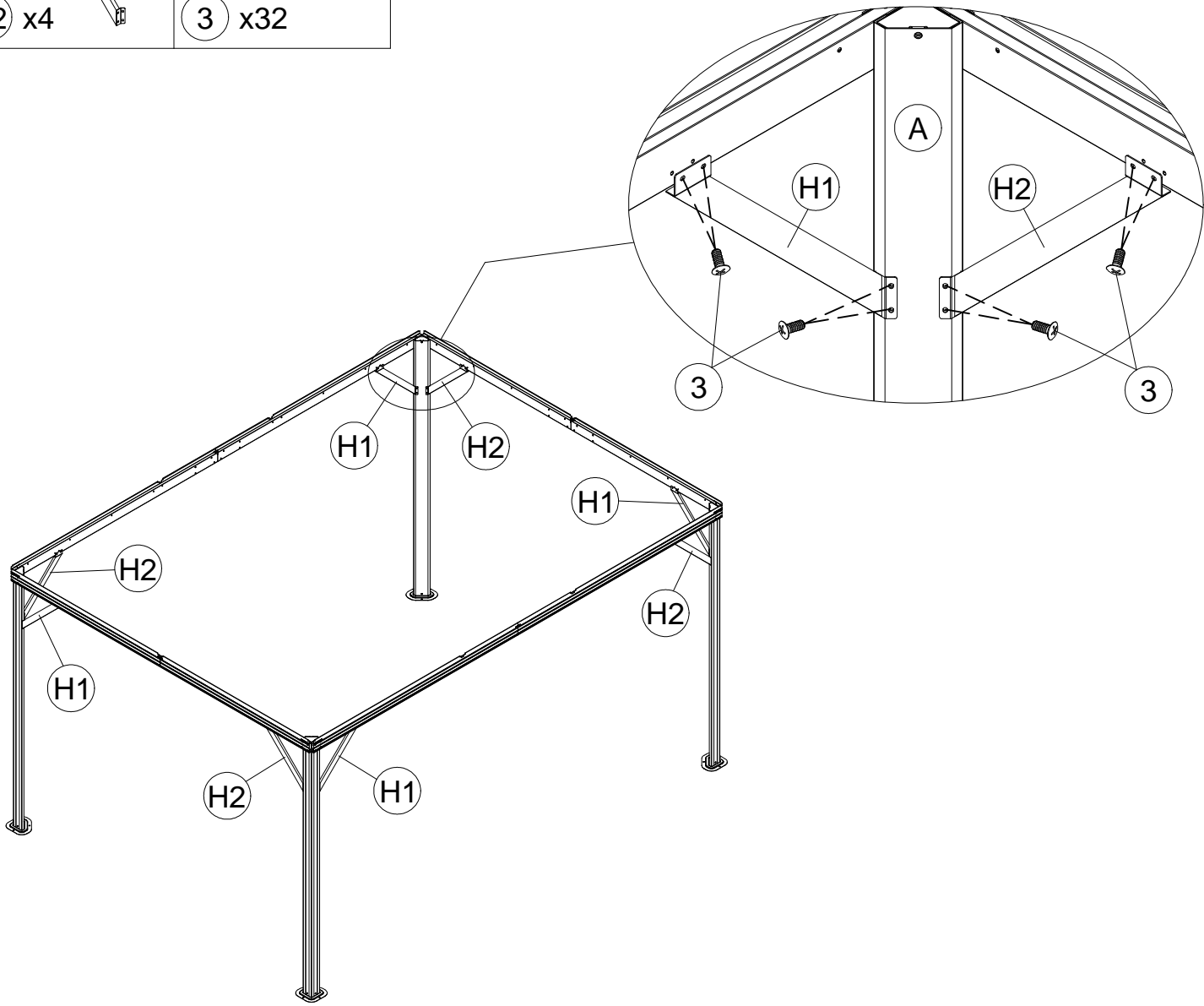
2 x32

<7>





<8>



D x2



D1 x2



D2 x2



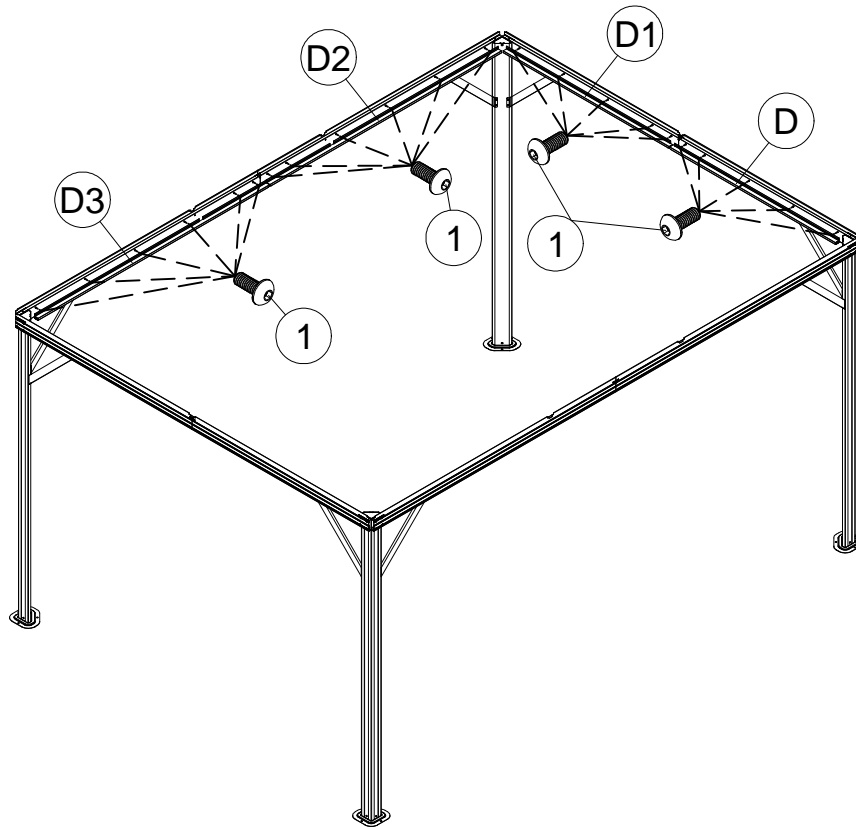
D3 x2

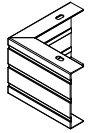


M6x15

1 x44

<9>





K x4



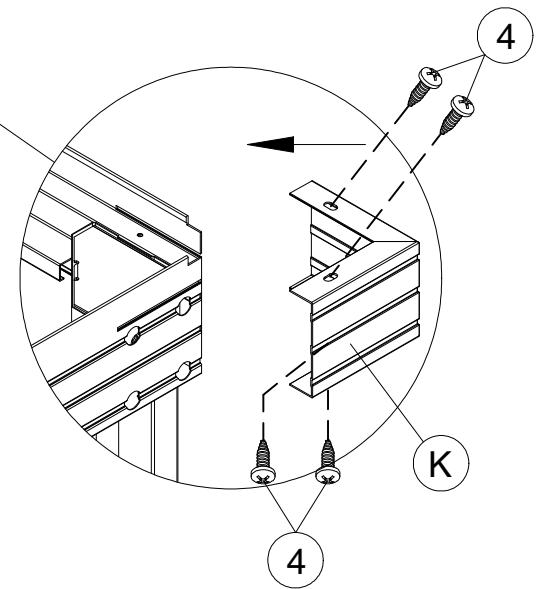
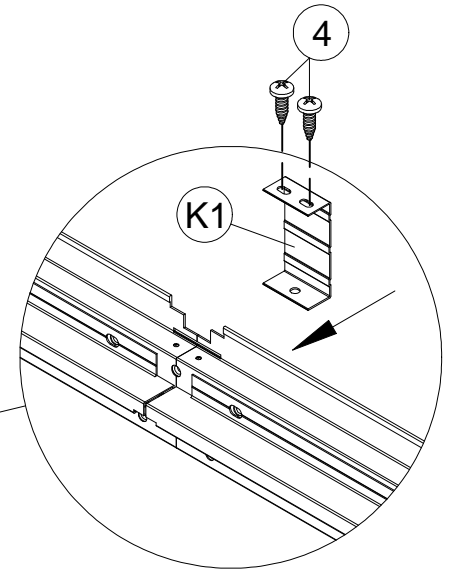
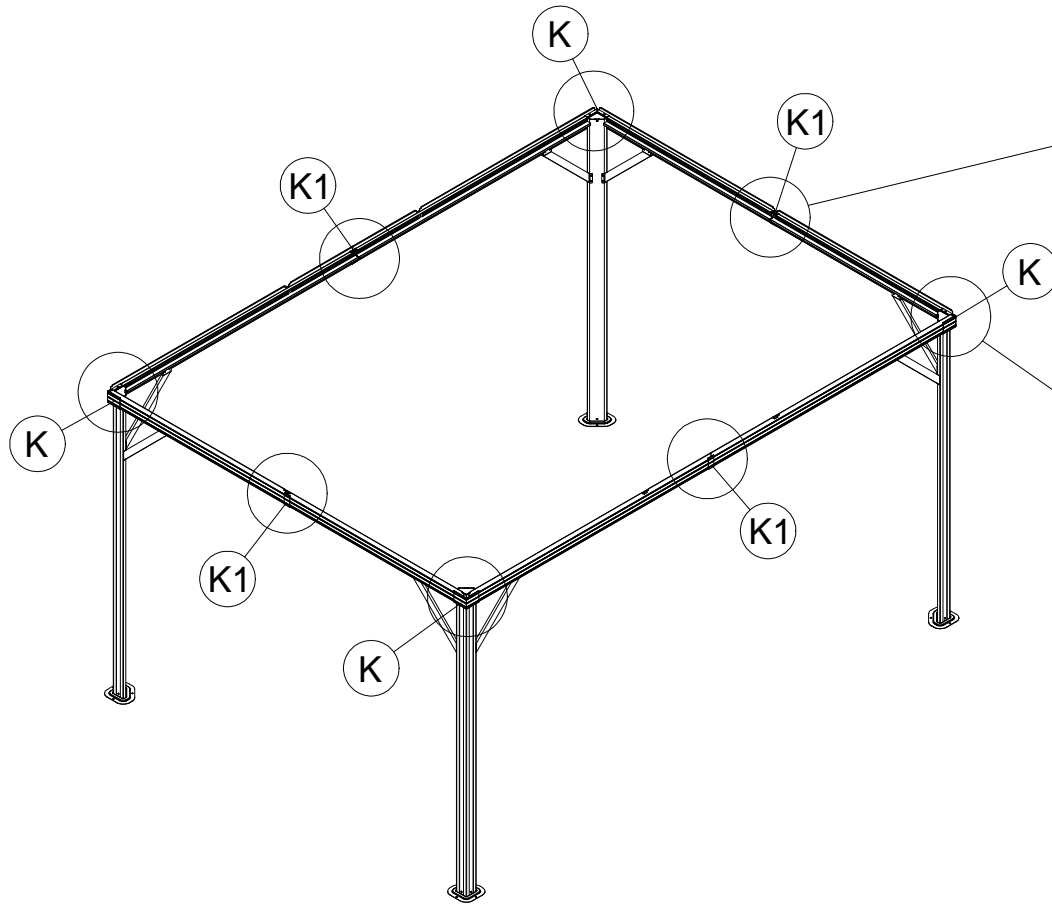
K1 x4



ST4.8x12

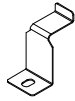
4 x24

<10>





U x112



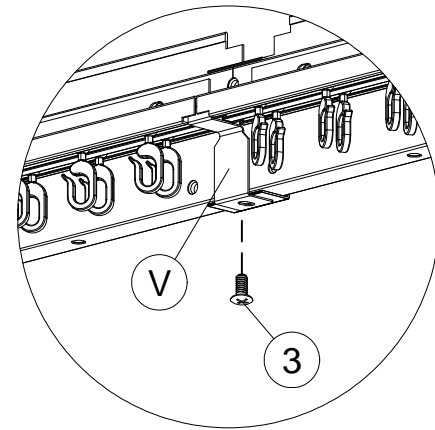
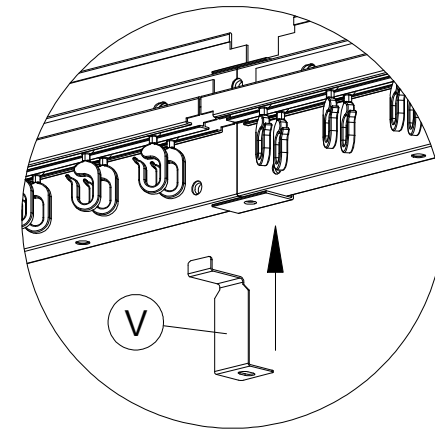
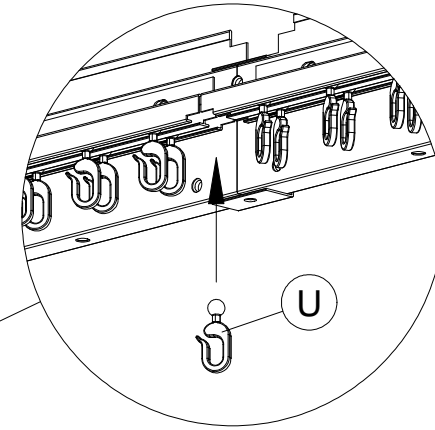
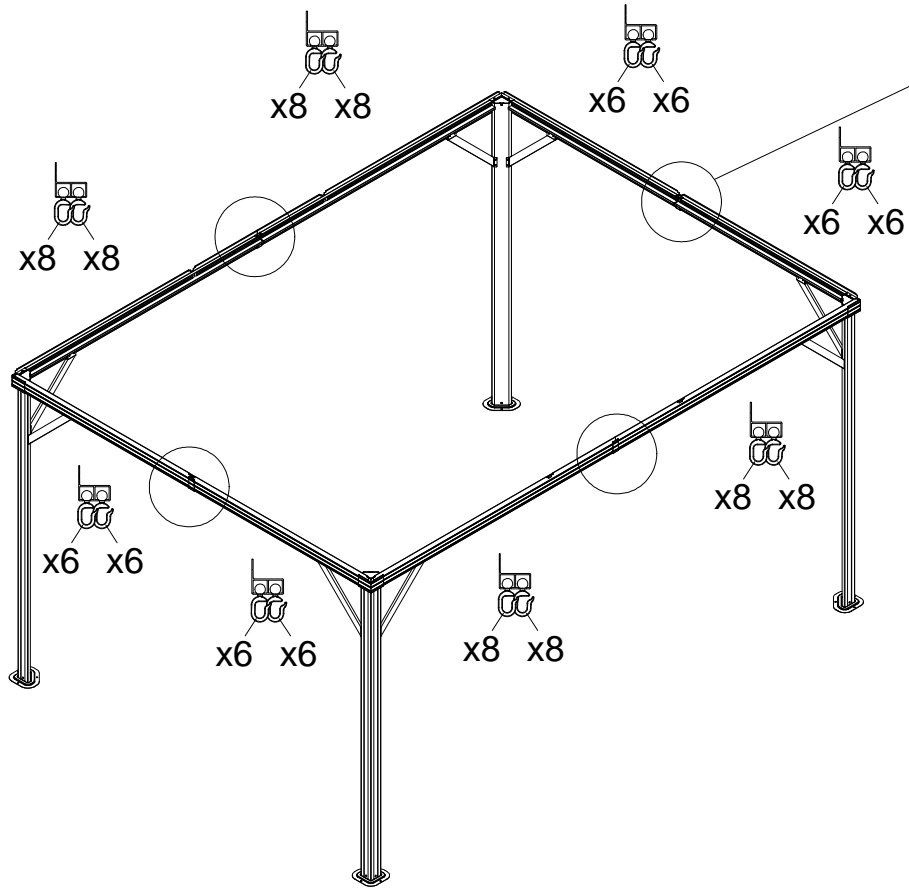
V x4



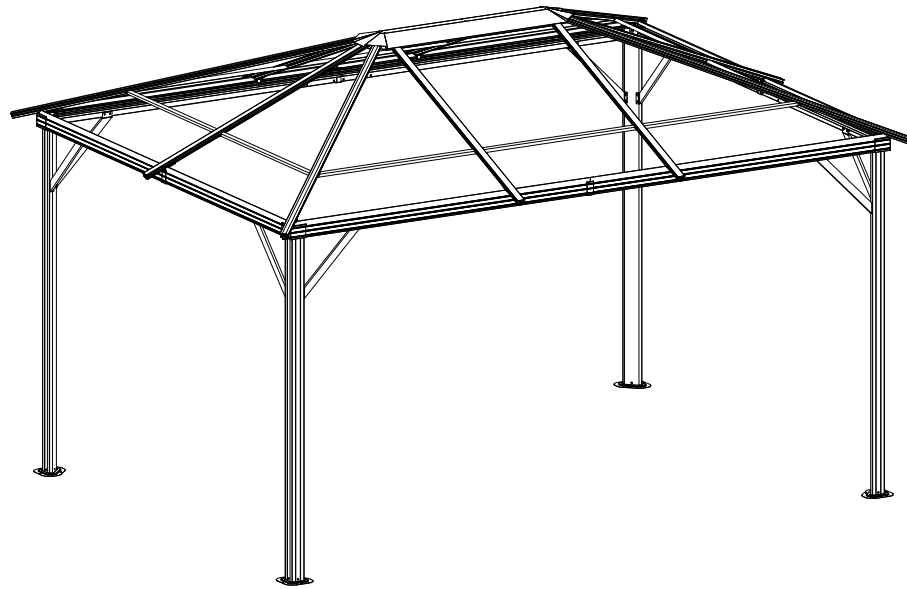
M5x12

3 x4

<11>



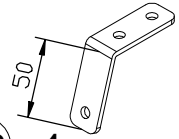
# STEP 2



Tips: When installing the screws, don't tighten them all the way first, just roughly hold them in place, and when you're sure that all the parts are installed, then you can tighten the screws to secure the frame.



E x4



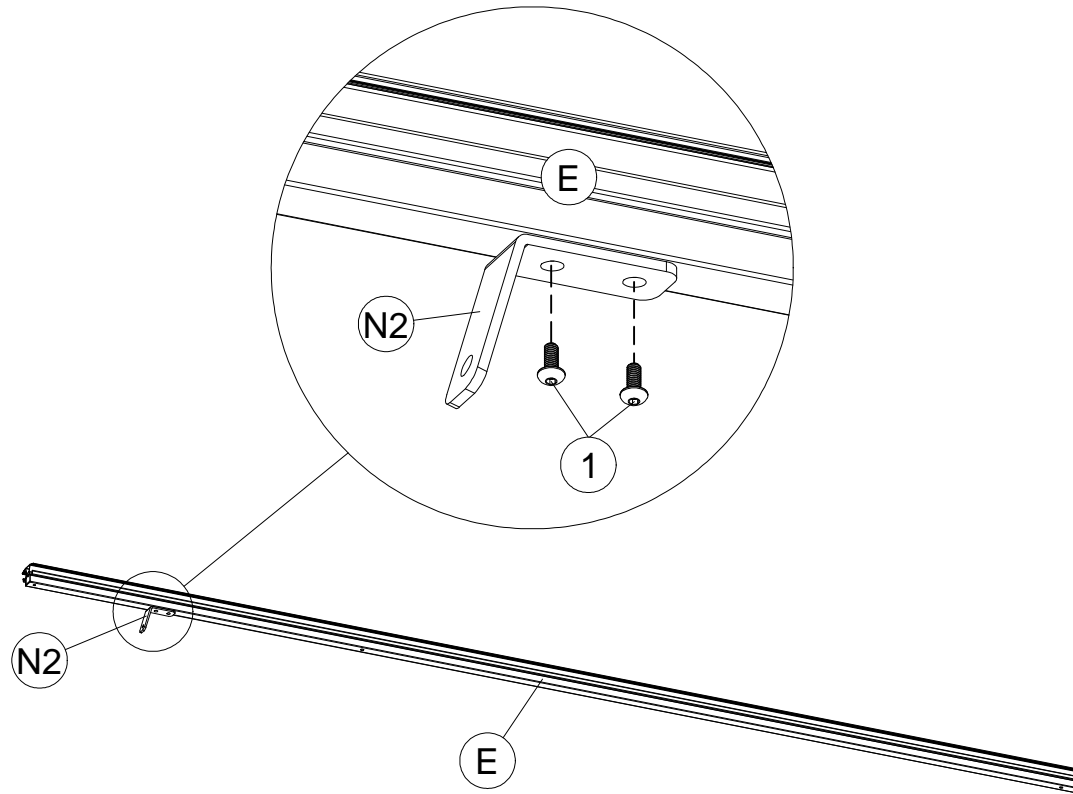
N2 x4


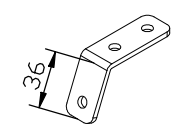



M6x15

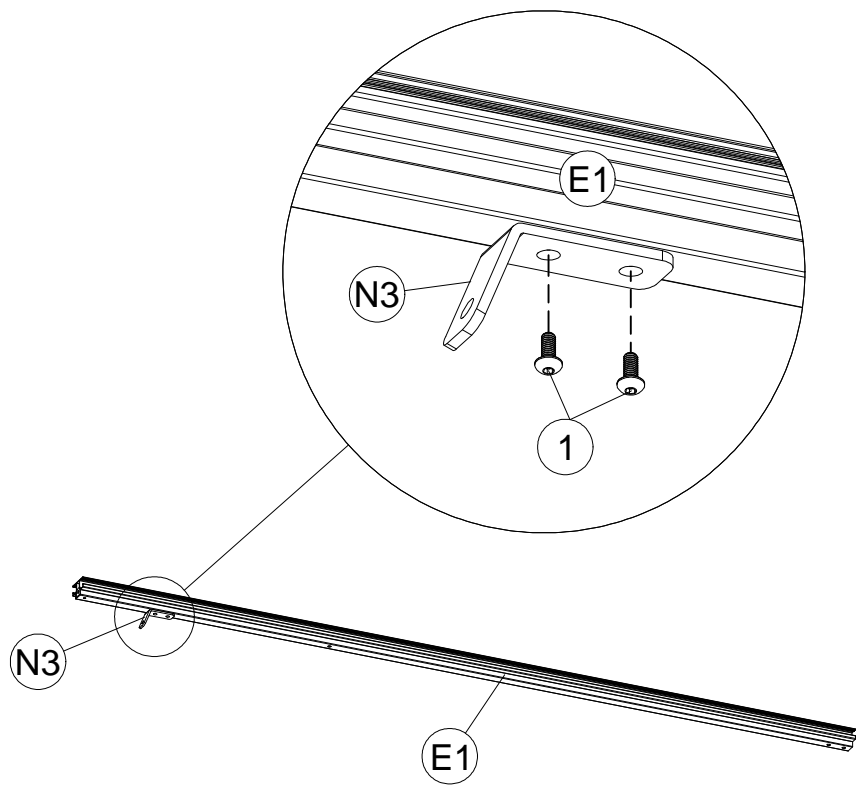
1 x8

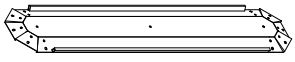
<12>



 <p>(E1) x6</p>	 <p>(N3) x6</p>	 <p>(1) x12 M6x15</p>
--	--	---

<13>





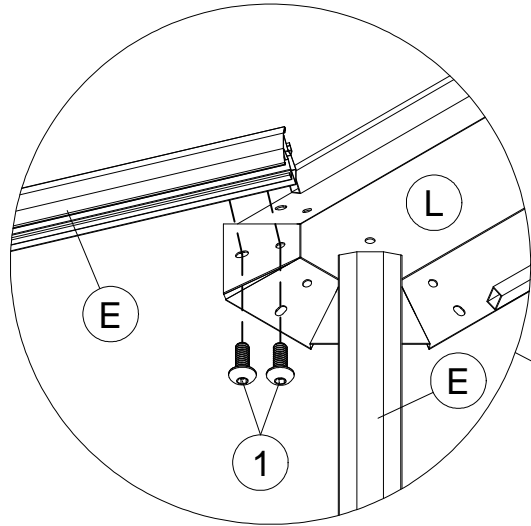
L x1



M6x15

1 x12

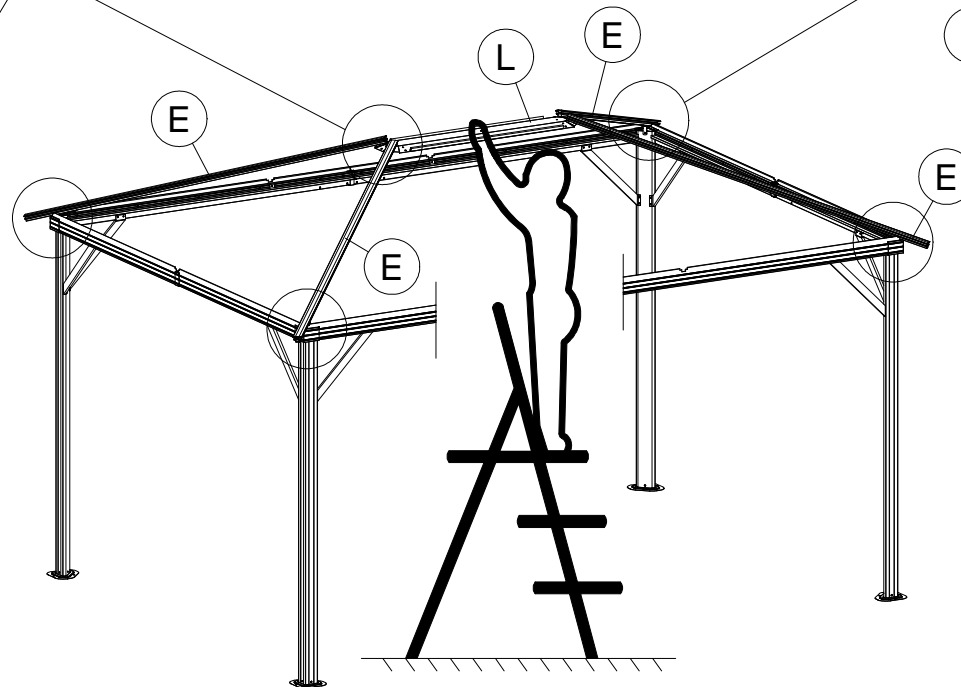
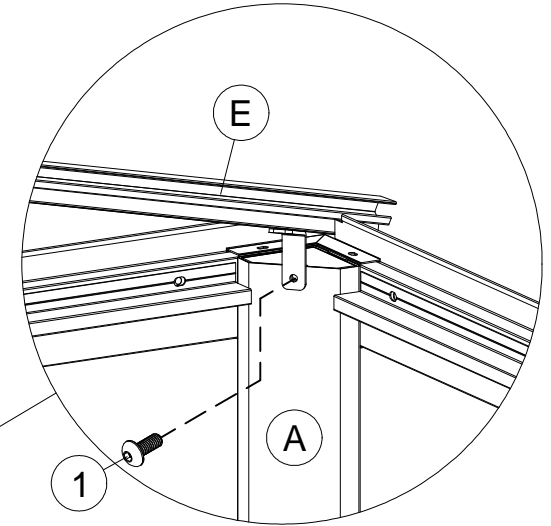
<14>



Note:

1. Let one person stand on the ladder to lift " L " and hold, and let others fasten the screws connecting both ends of " E " .

2. Please do not let go of holding " L " until all the " E " screws are installed.

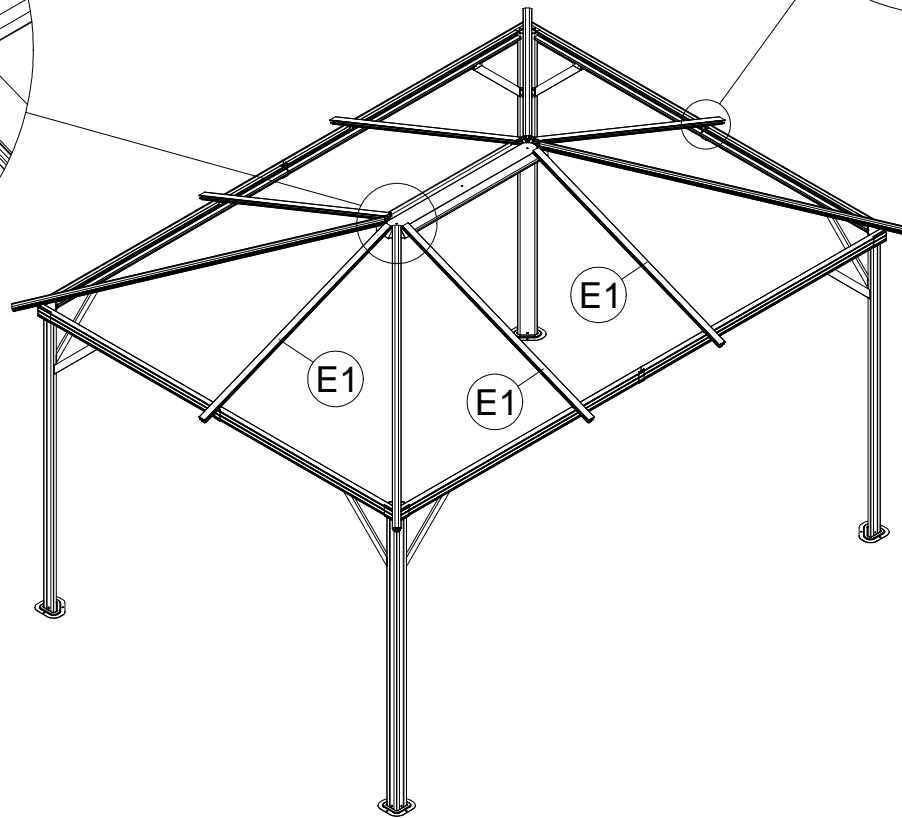
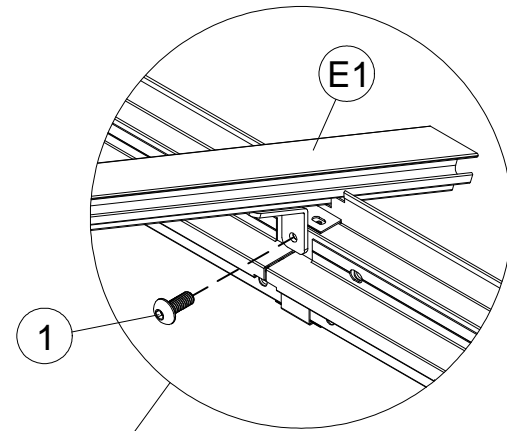
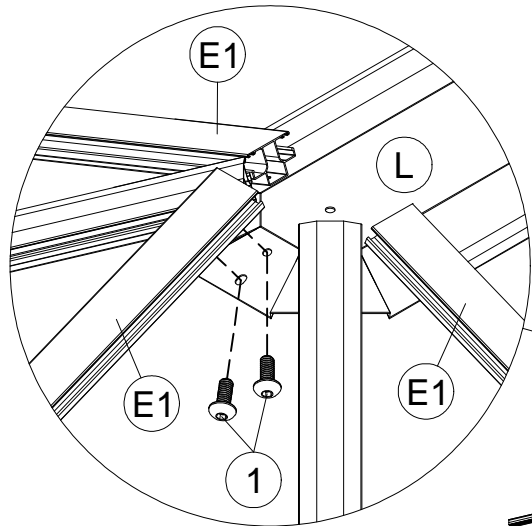


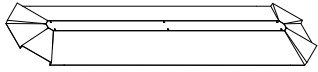


M6x15

1 x18

<15>





(M) x1



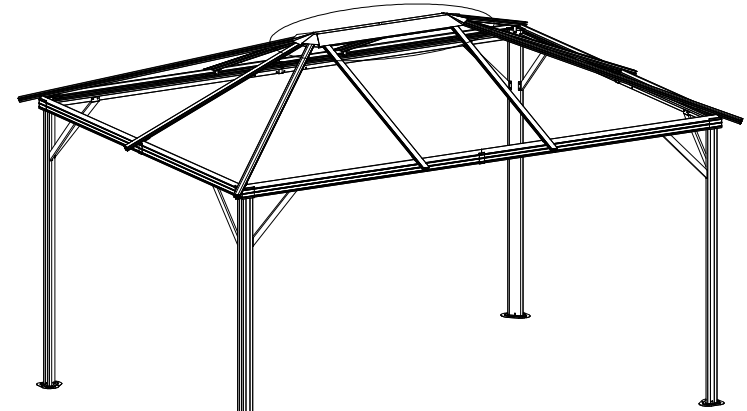
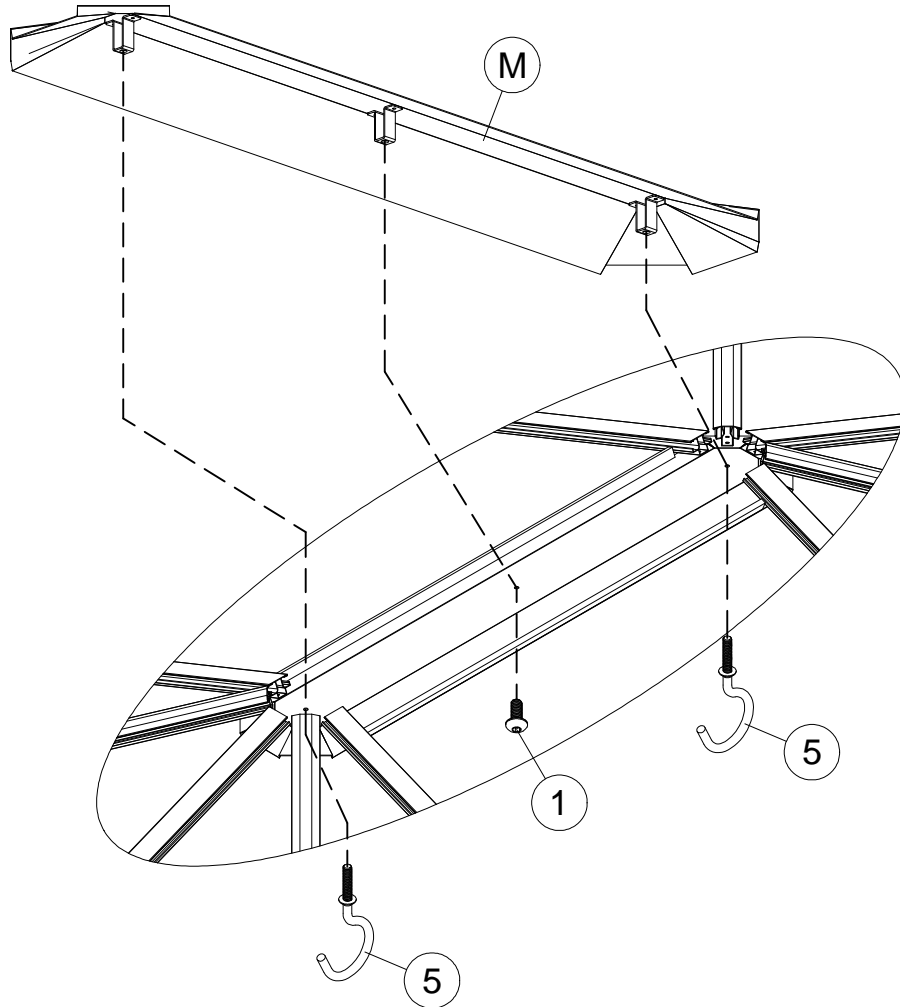
M6x15

(1) x1



(5) x2

<16>





F1 x4



F2 x4



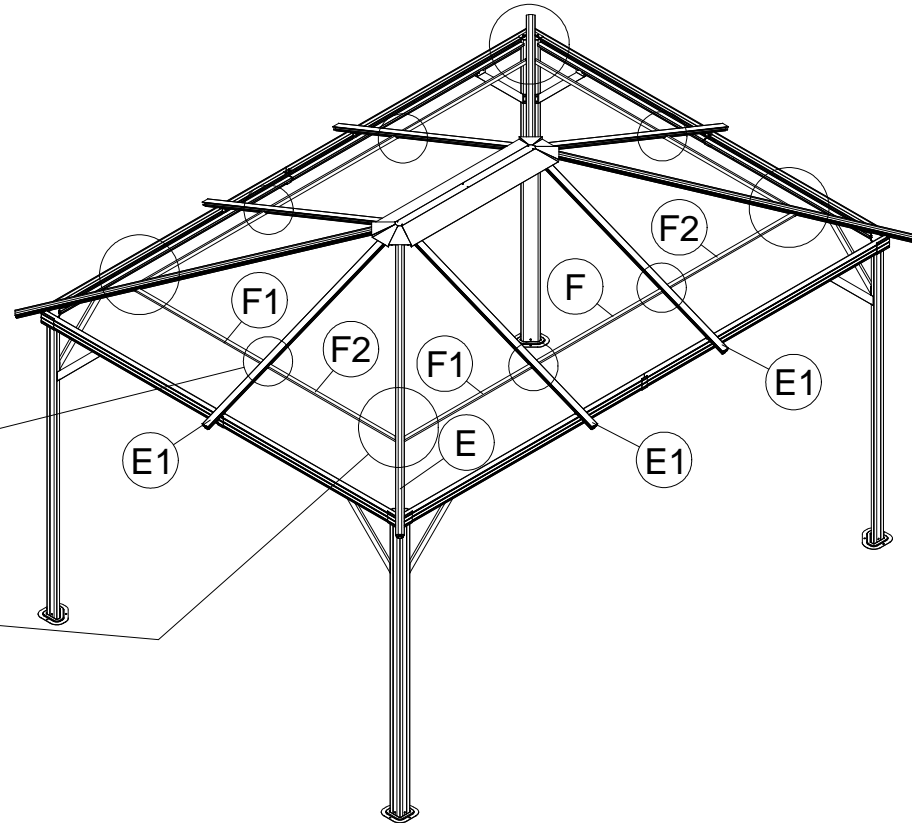
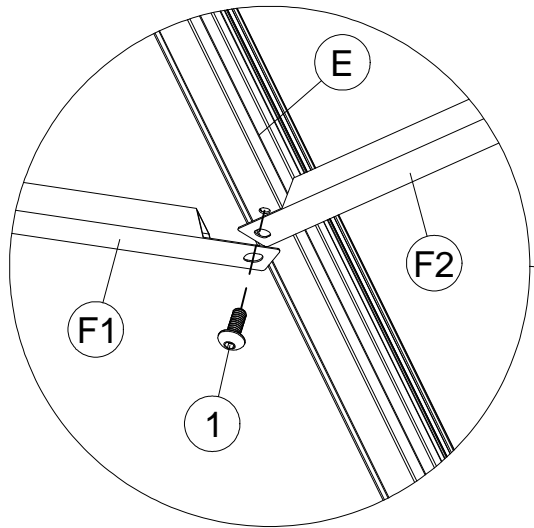
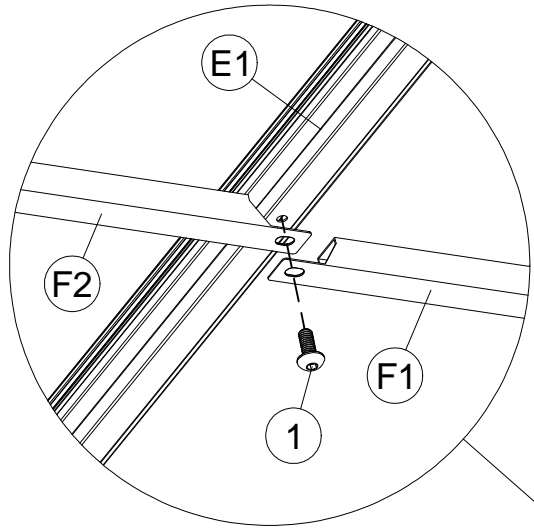
F x2



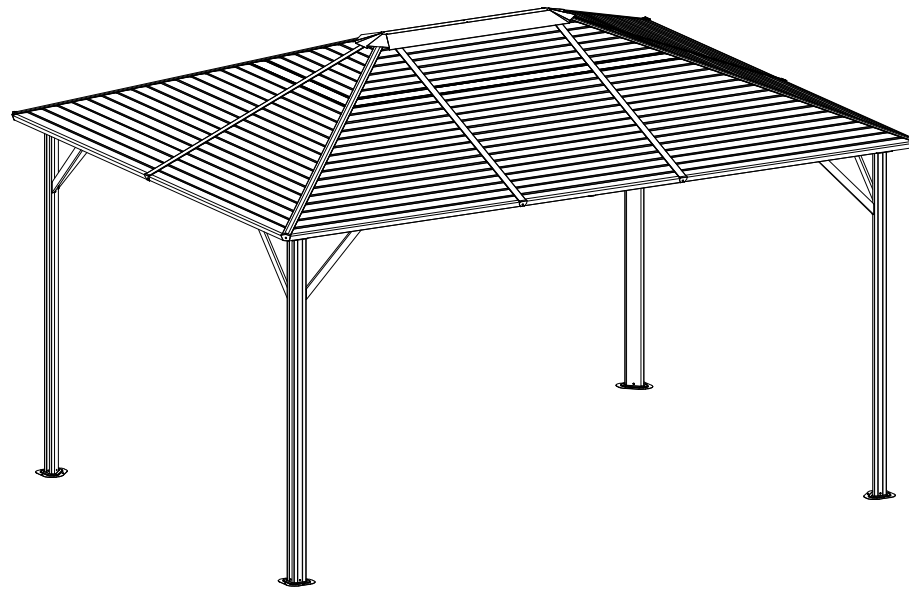
M6x15

1 x10

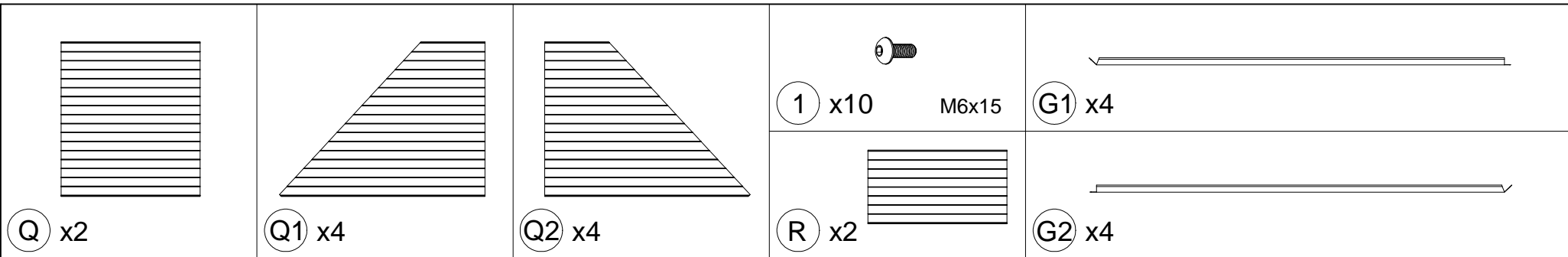
<17>



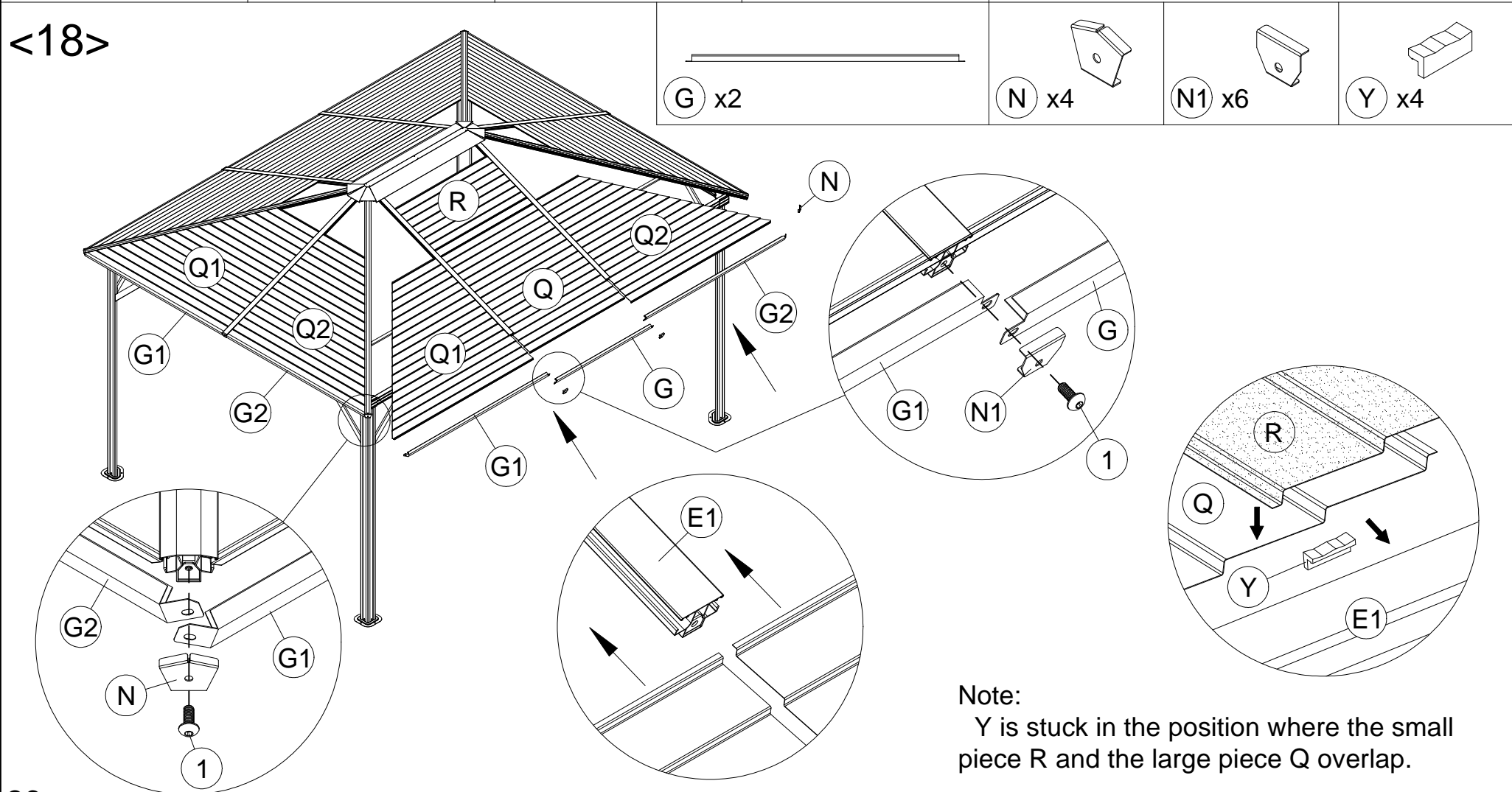
# STEP 3



Tips: When installing the screws, don't tighten them all the way first, just roughly hold them in place, and when you're sure that all the parts are installed, then you can tighten the screws to secure the frame.

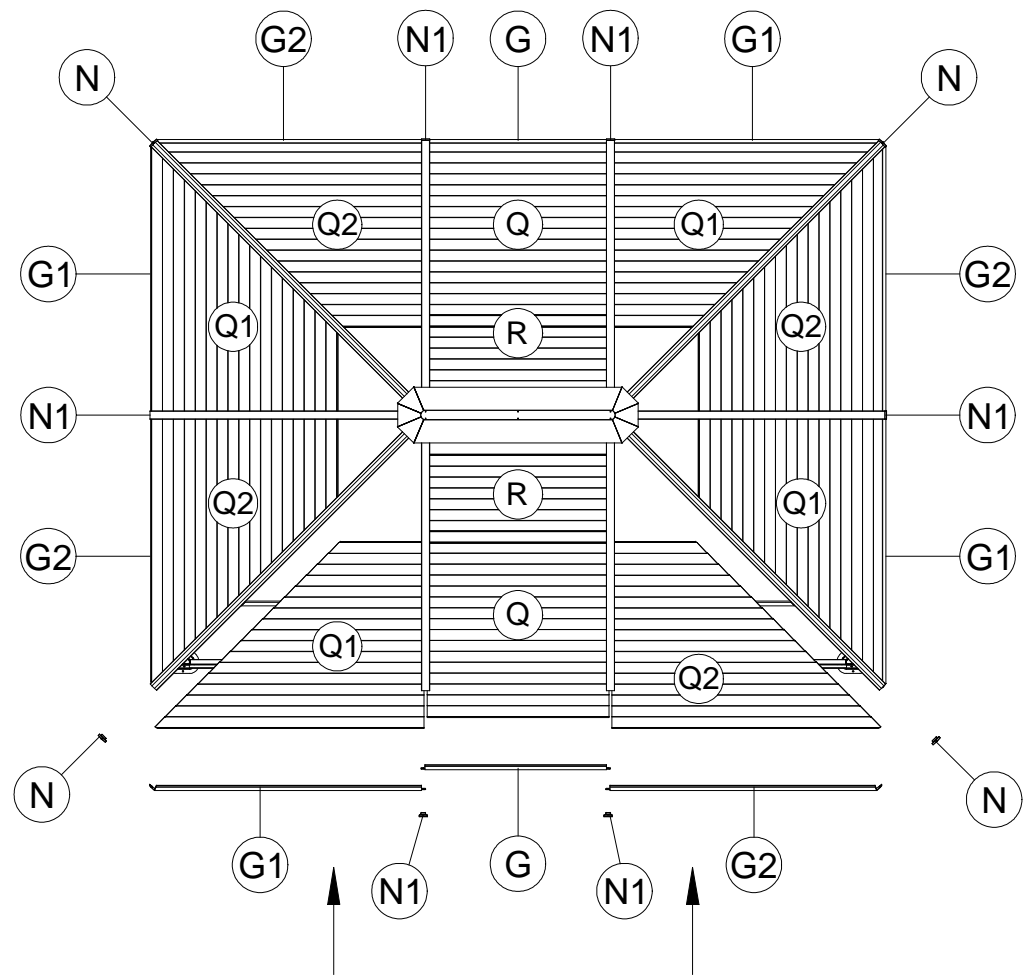


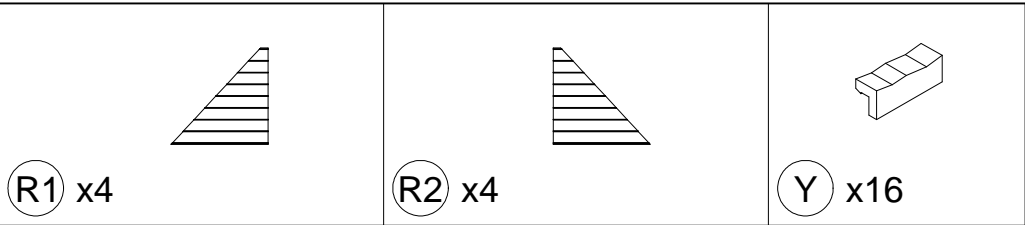
<18>



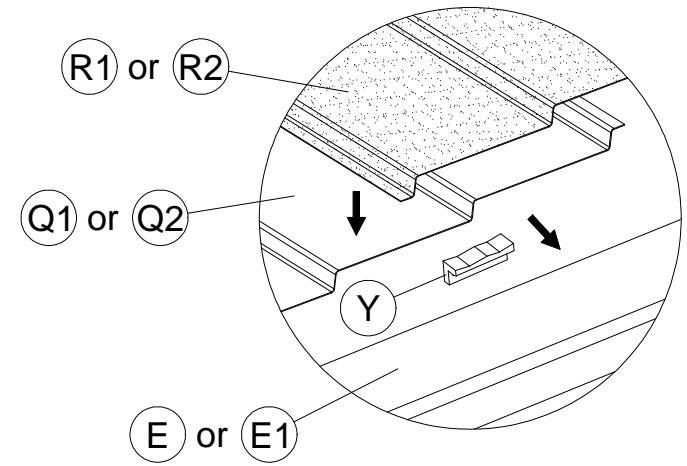
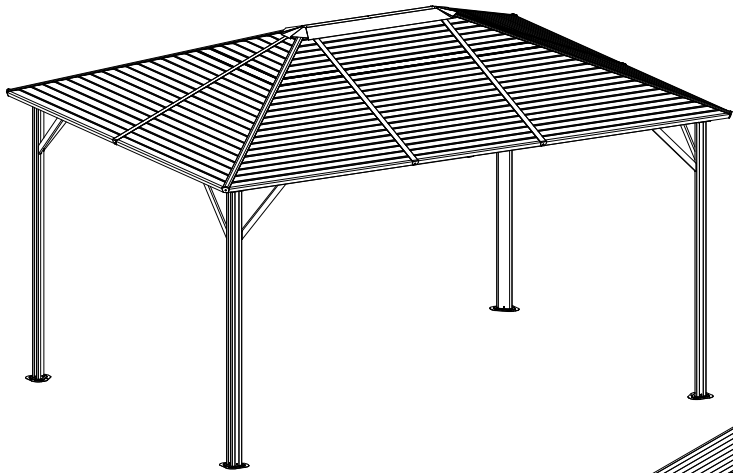
Note:  
Y is stuck in the position where the small piece R and the large piece Q overlap.

<19>

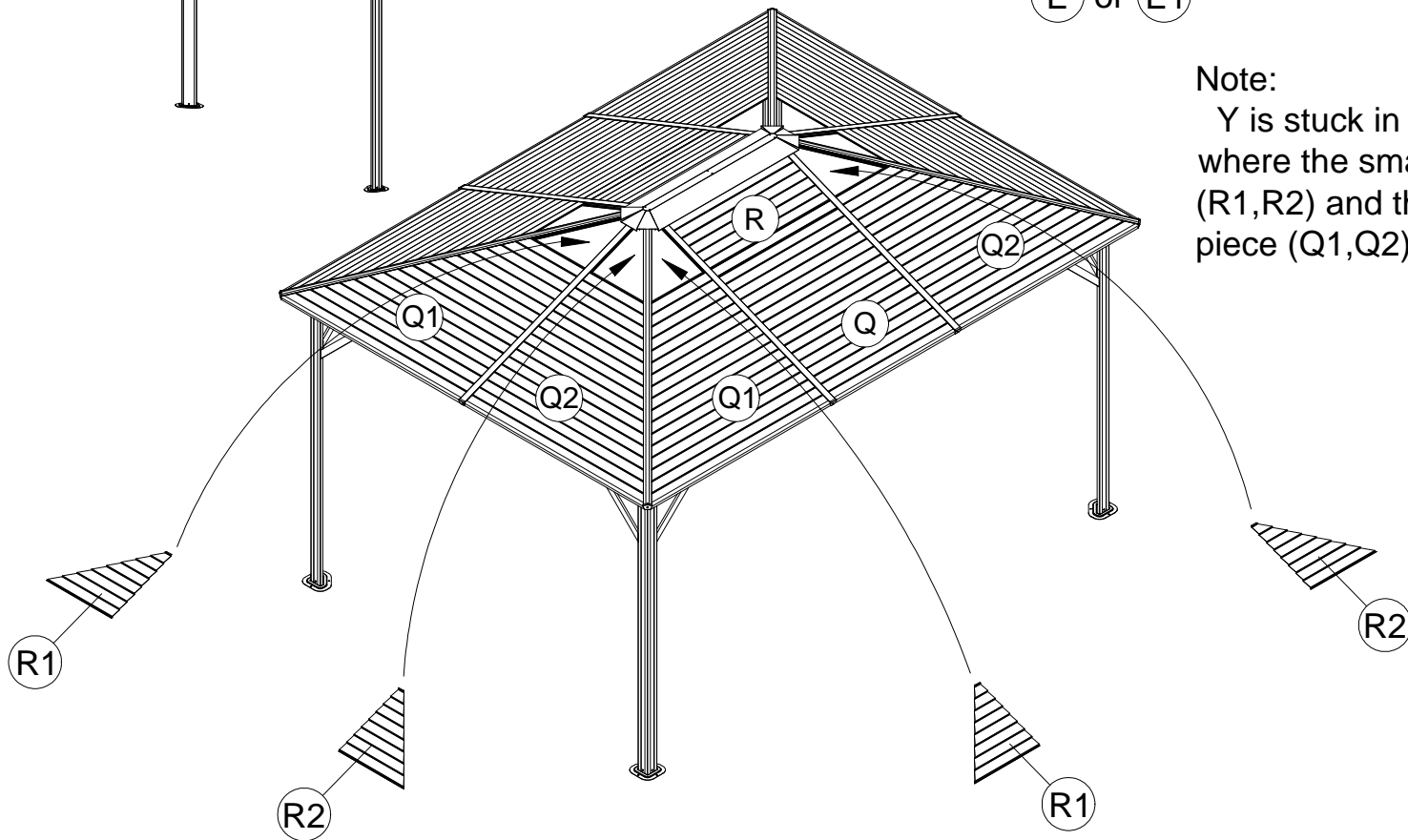




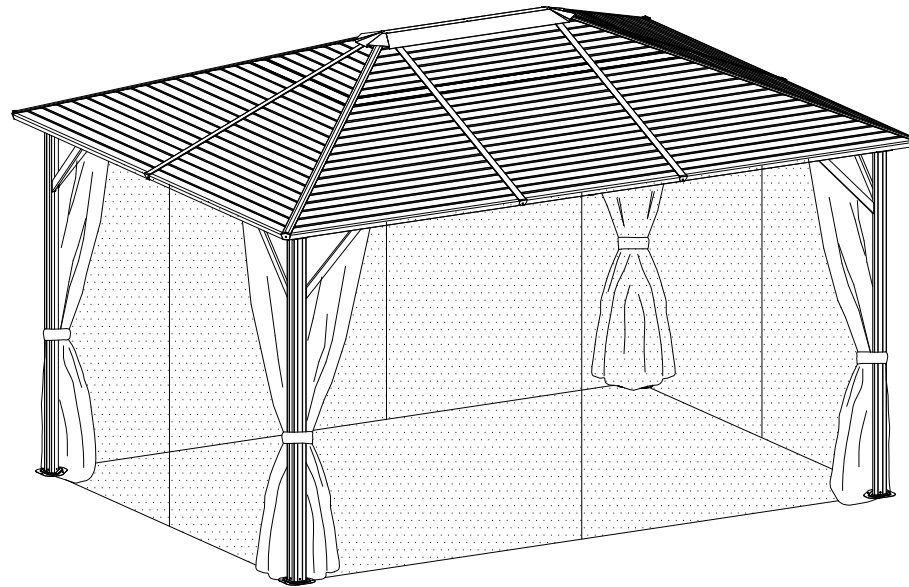
<20>



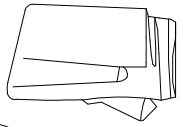
Note:  
Y is stuck in the position where the small piece (R1,R2) and the large piece (Q1,Q2) overlap.



# STEP 4

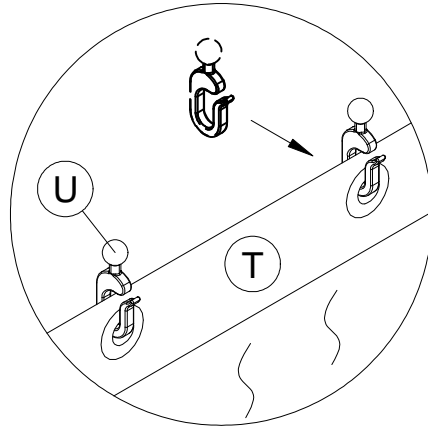
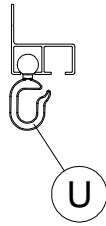


Tip: Be sure to hang the nettings on the inside track and the privacy curtains on the outside track

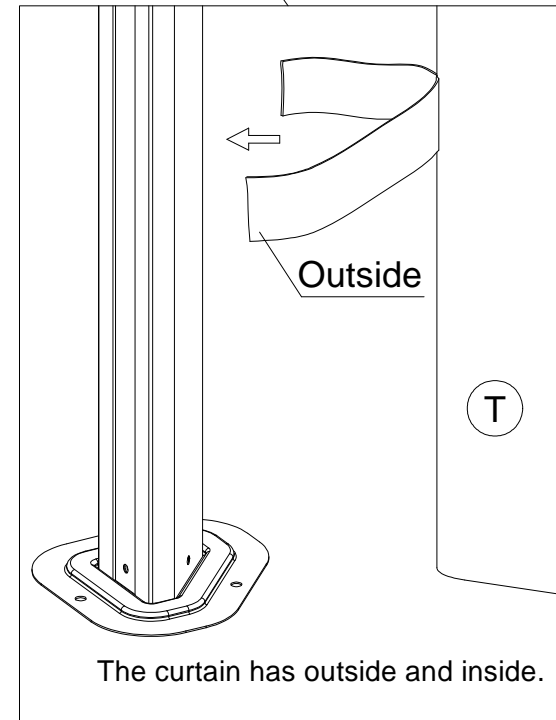
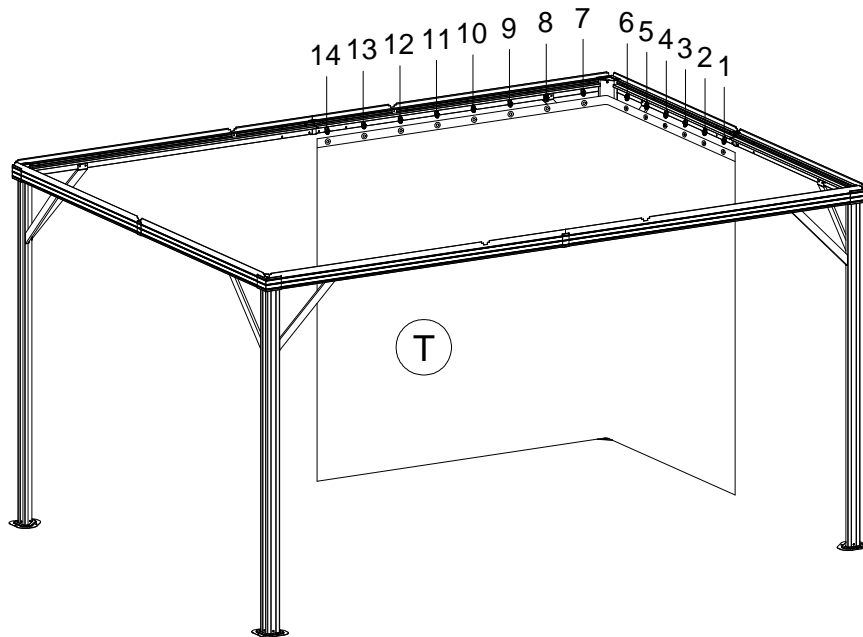
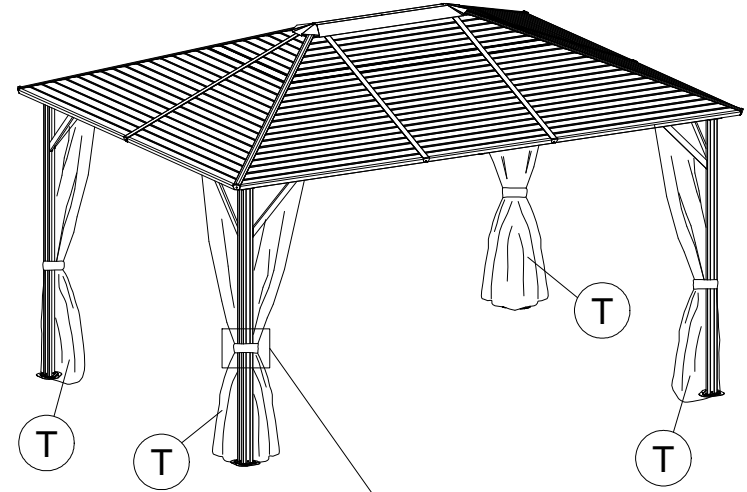


T x4

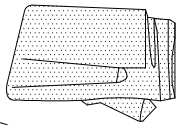
<21>



Tips: When installing curtains, you can first find the tie for the curtain, and then hang the curtain according to the hole number on the left and right sides of the tie.

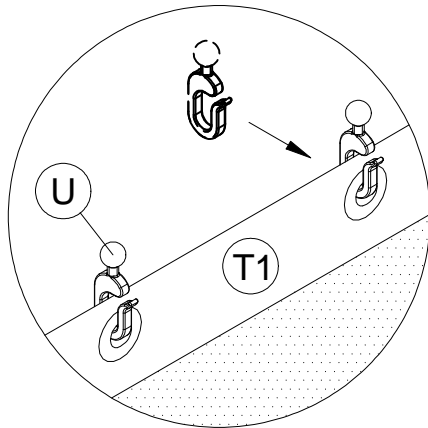
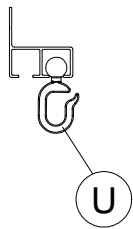


The curtain has outside and inside.

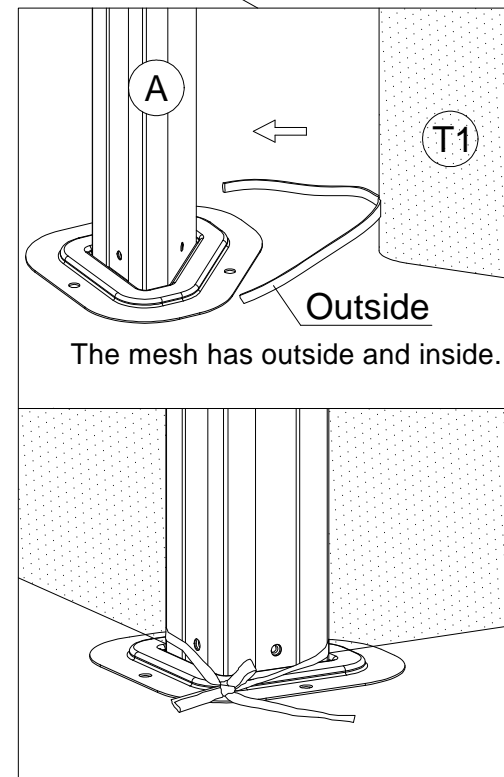
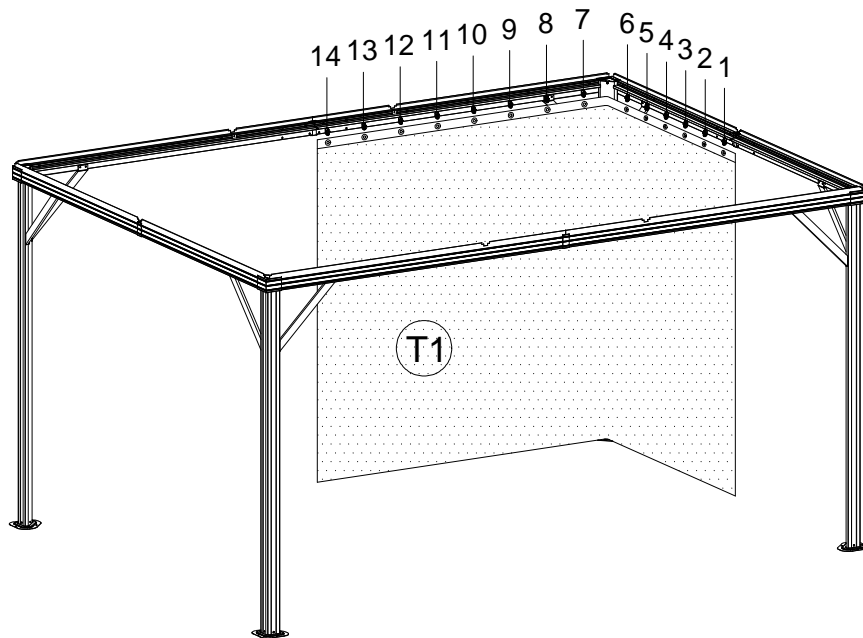
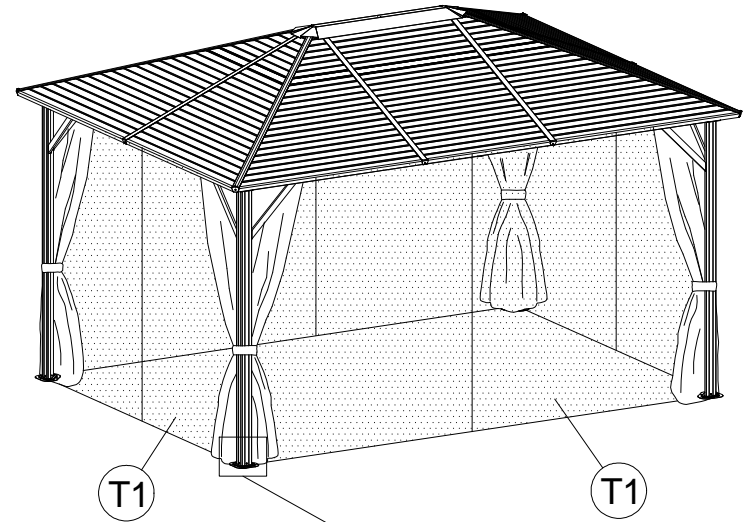


T1 x4

<22>



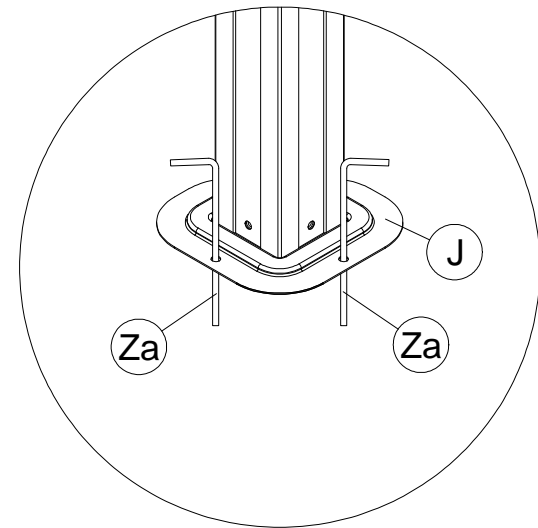
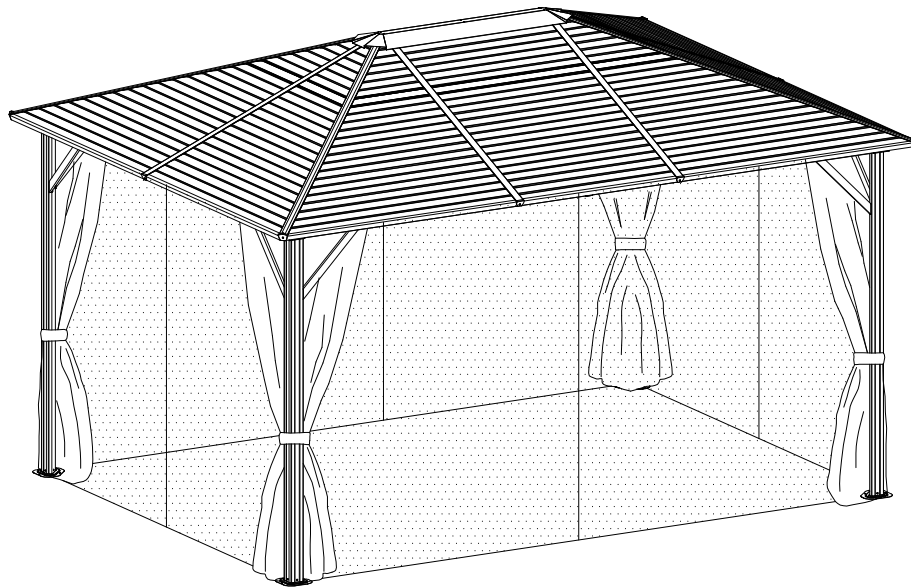
Tips: When installing curtains, you can first find the tie for the curtain, and then hang the curtain according to the hole number on the left and right sides of the tie.





Za x12

<23>



# DANCOVER<sup>®</sup>

.com

## Contact information

Austria



Belgium



Croatia



Denmark



Estonia



Finland



France



Germany



Ireland



Italy



Latvia



Lithuania



Nederland



Norway



Poland



Portugal



Spain



Sweden



Switzerland



UK



For more information please visit: [www.dancovershop.com](http://www.dancovershop.com)