

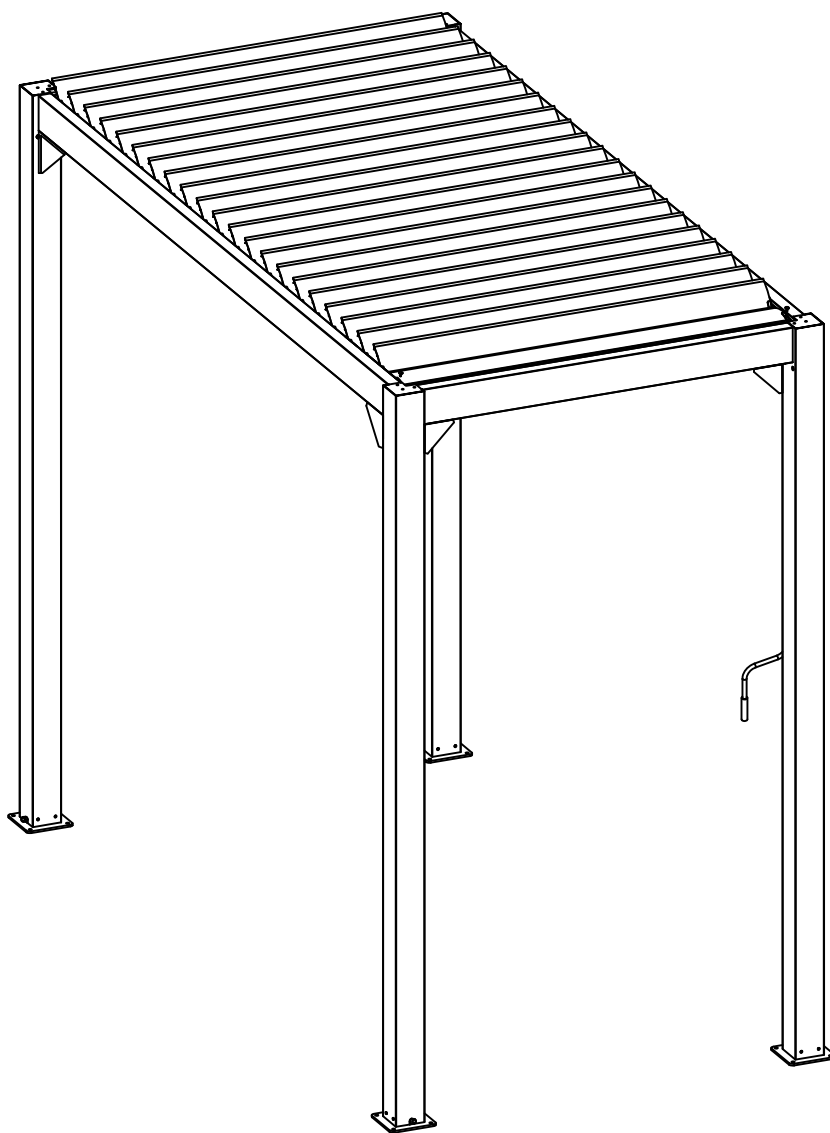
DANCOVER[®]



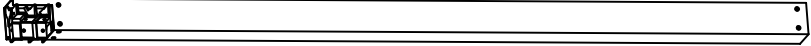
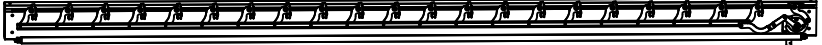



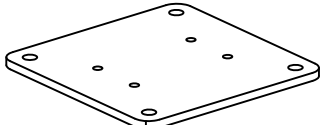
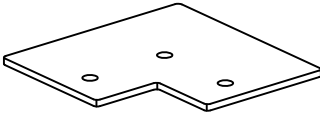
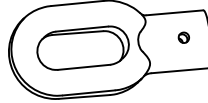

Manual
for
Pergola Gazebo
San Pablo Alu+
2x3m

Manual Instruction Pergola

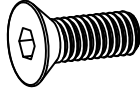
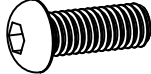

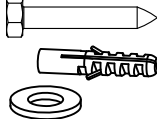
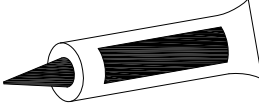
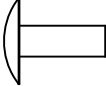
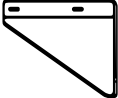



2x3m



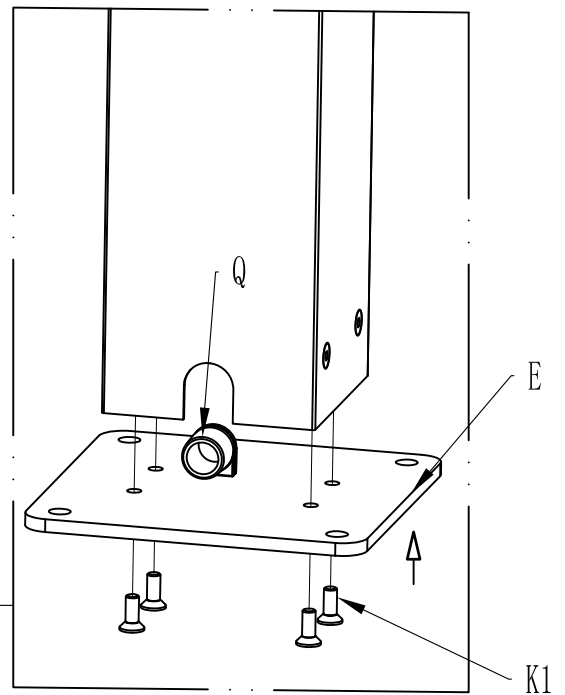
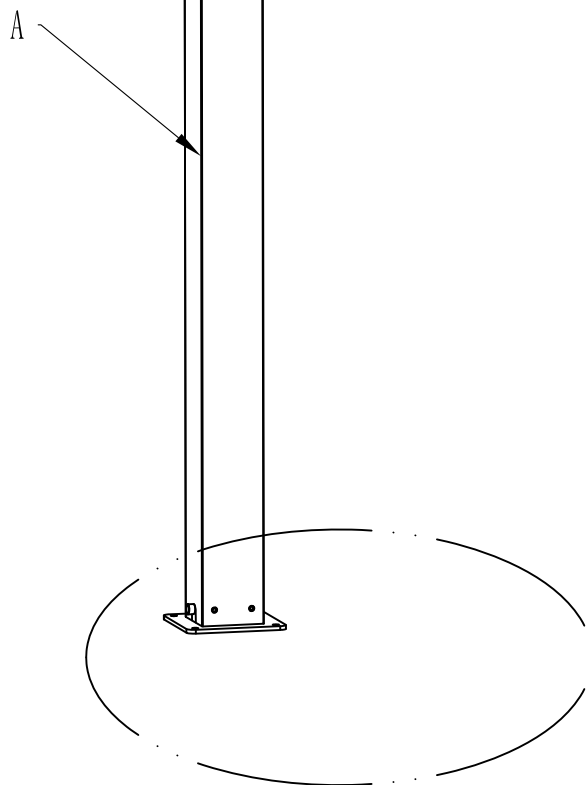
Spare parts list

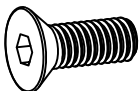
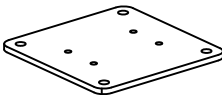
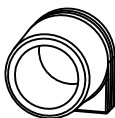
Label No.	Part description	Drawing	QTY
A	Column		4
B1	Beam(left)		1
B2	Beam(right)		1
C	Front and rear beams		2
D	Louver		2*3=22 2*4=30
E	Column bottom plate		4
F	Column cover plate		4
G	Hinge ring		1
H	Hand crank		1

Spare parts list

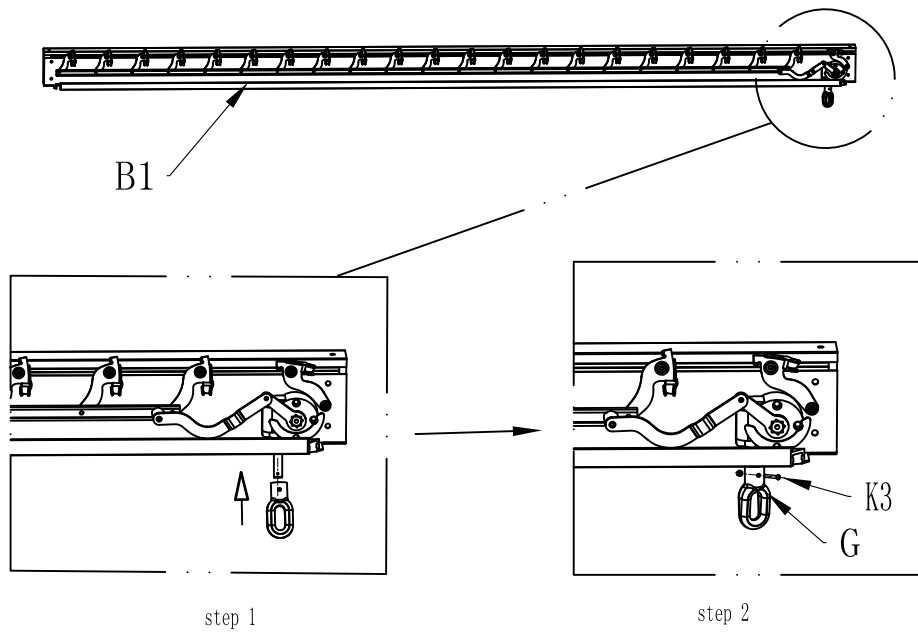
Label No.	Part description	Drawing	QTY
K1	Countersunk head screw	 M6*16	32+2
K2	Plan head screw	 M6*16	12+2
K3	Screw + nut	 M4*20 M4	1
K4	Woodworking screw plastic expansion pipe + Flat washer	 M10*100 φ14*70 φ10	16
L	Glass glue		1
M	Plastic jam		2*3=44 2*4=60
N	Corner supporter		8
K5	Self-drilling screw	 ST4. 2x25	32
P	Screw cover		16
Q	Drainage connector		4

1. Clamp the drainage connector Q into the column slot, then connect the bottom plate E with column A, and tighten screws; Complete four sets in sequence.

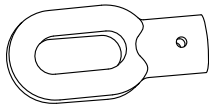


<p>K1</p>  <p>QTY: 16PCS</p>	<p>E</p>  <p>QTY: 4PCS</p>
<p>Q</p>  <p>QTY: 4PCS</p>	

2. Put the hinge rings G into the gearbox drive shaft on the beam B1, fix the screw + nut K3



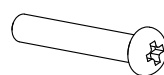
G



QTY: 1PC

K3

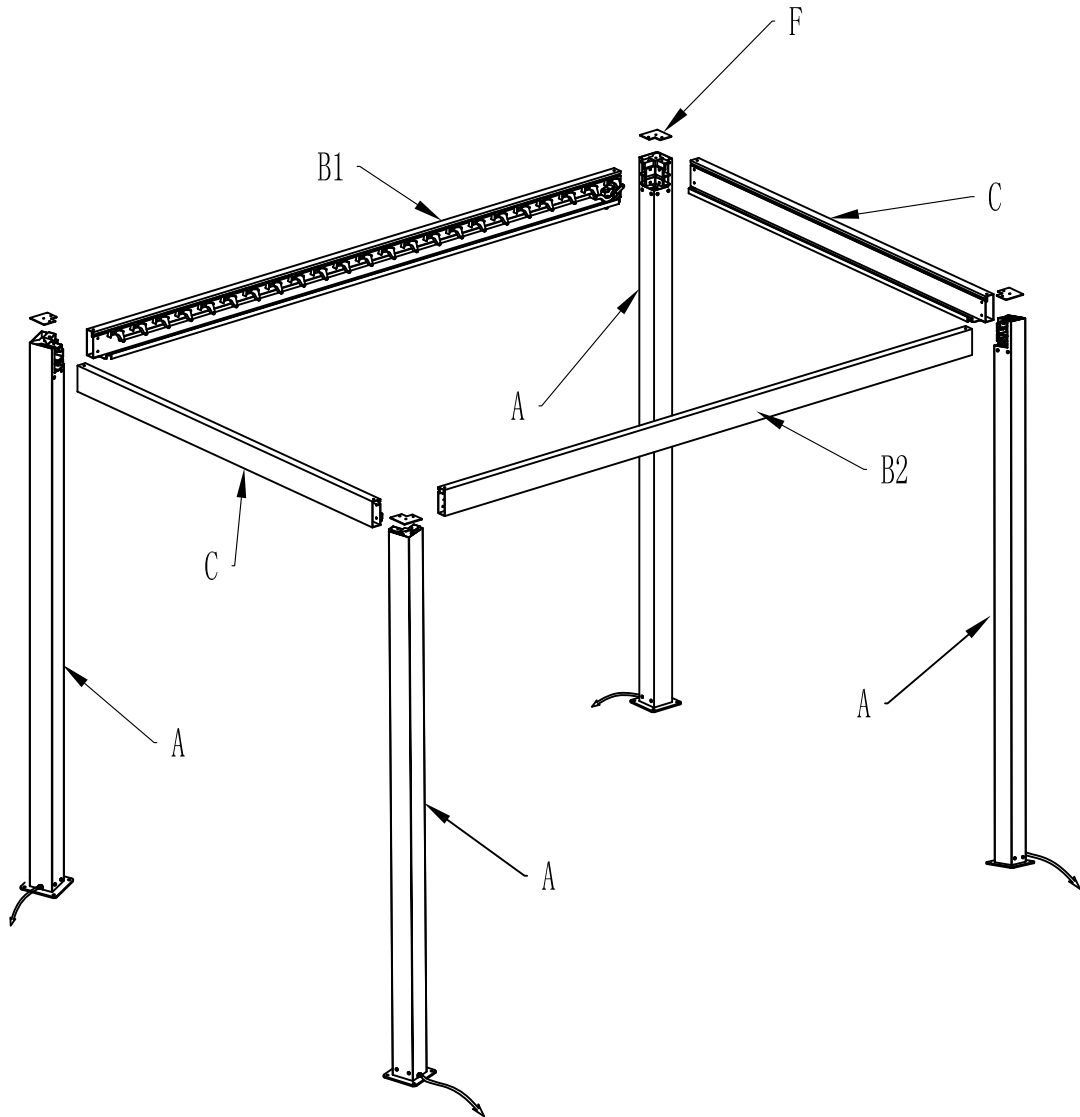
M4



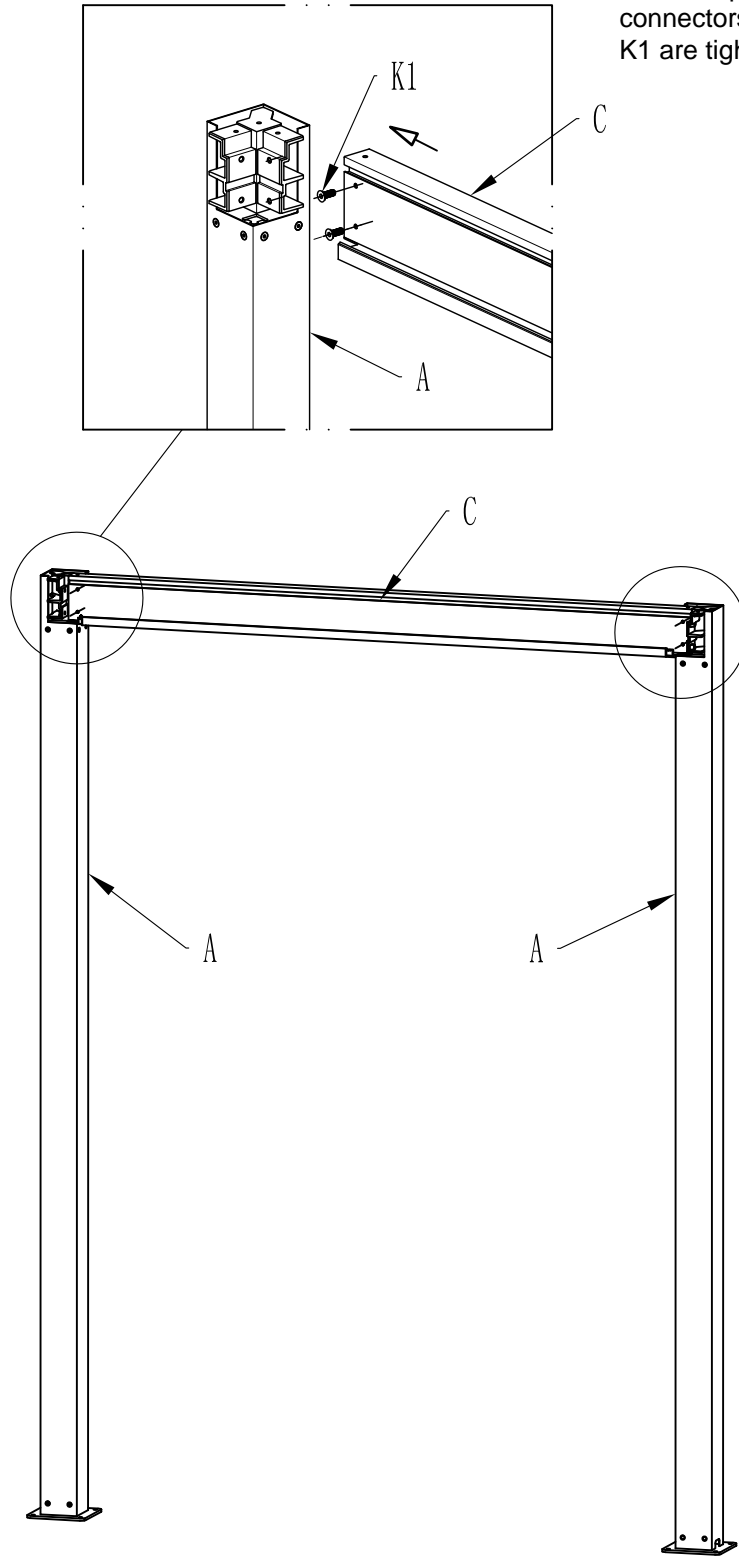
M4x20

QTY: 1PC

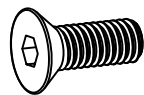
3. Place the column and beam as shown in the figur and note that the drain port of the column faces the same side;



4. The two ends of one front and rear beam C are respectively placed on the corner connectors on the column, and the screws K1 are tightened;

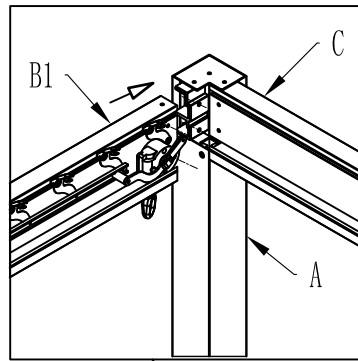


K1

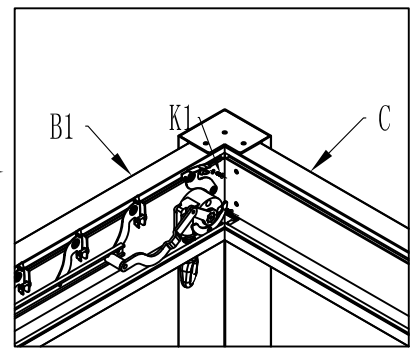


QTY: 4PCS

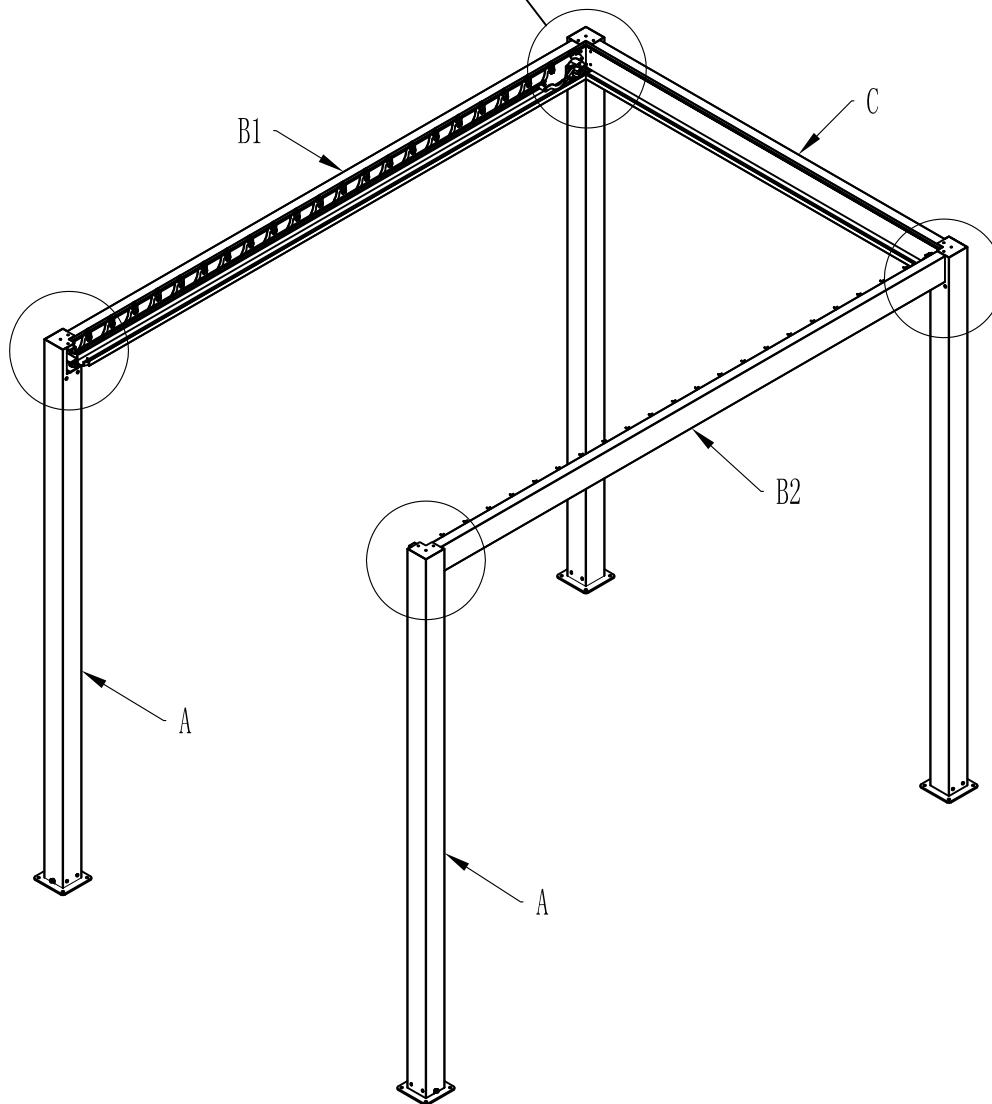
5. The left and right beam B1/B2 are respectively placed on the corner connectors on the column, and the screw K1 are tightened



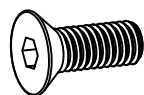
step 1



step 2

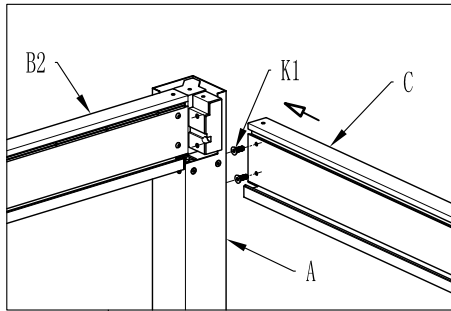


K1

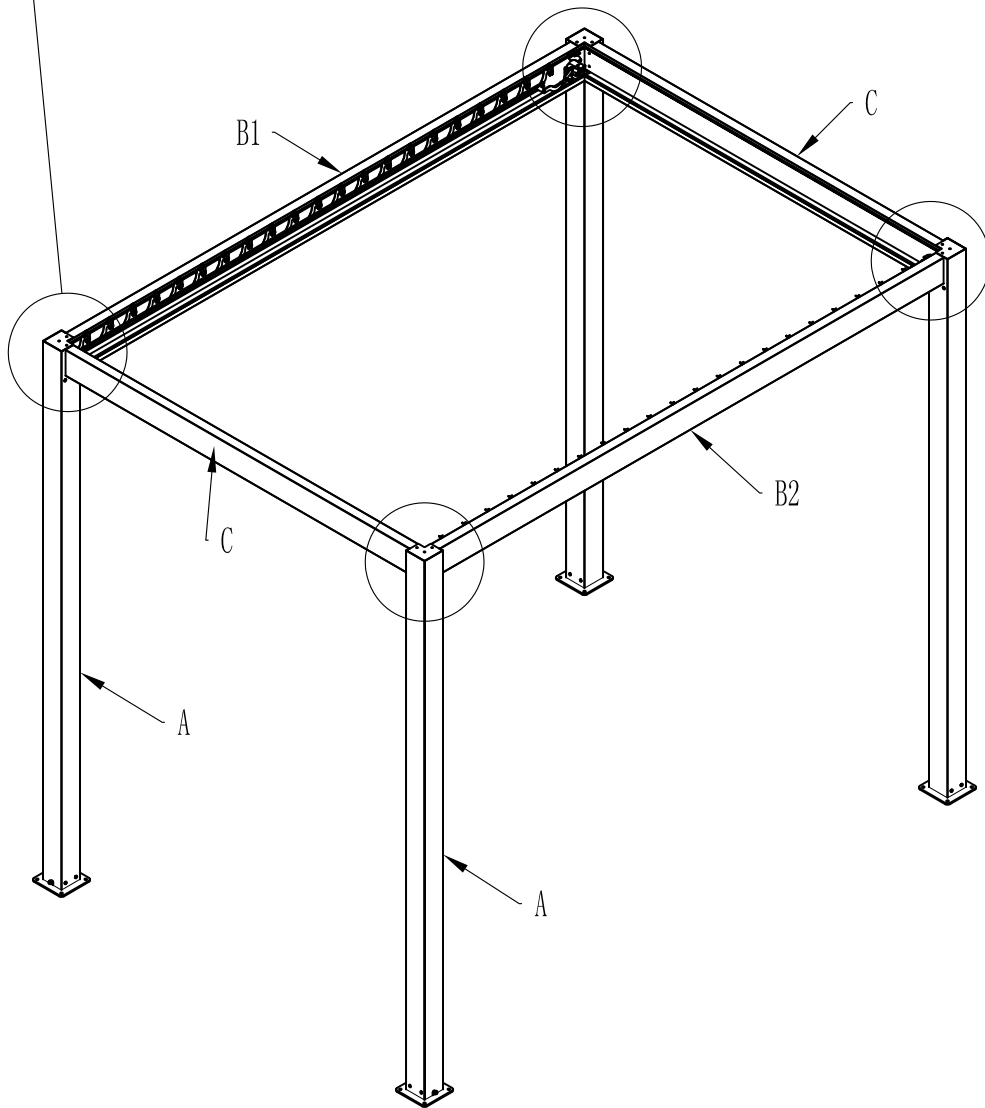


QTY: 8PCS

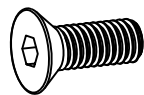
6. Insert ends of the other front and rear beams into the corner connectors on the column, and tighten the screws K1.



step 1

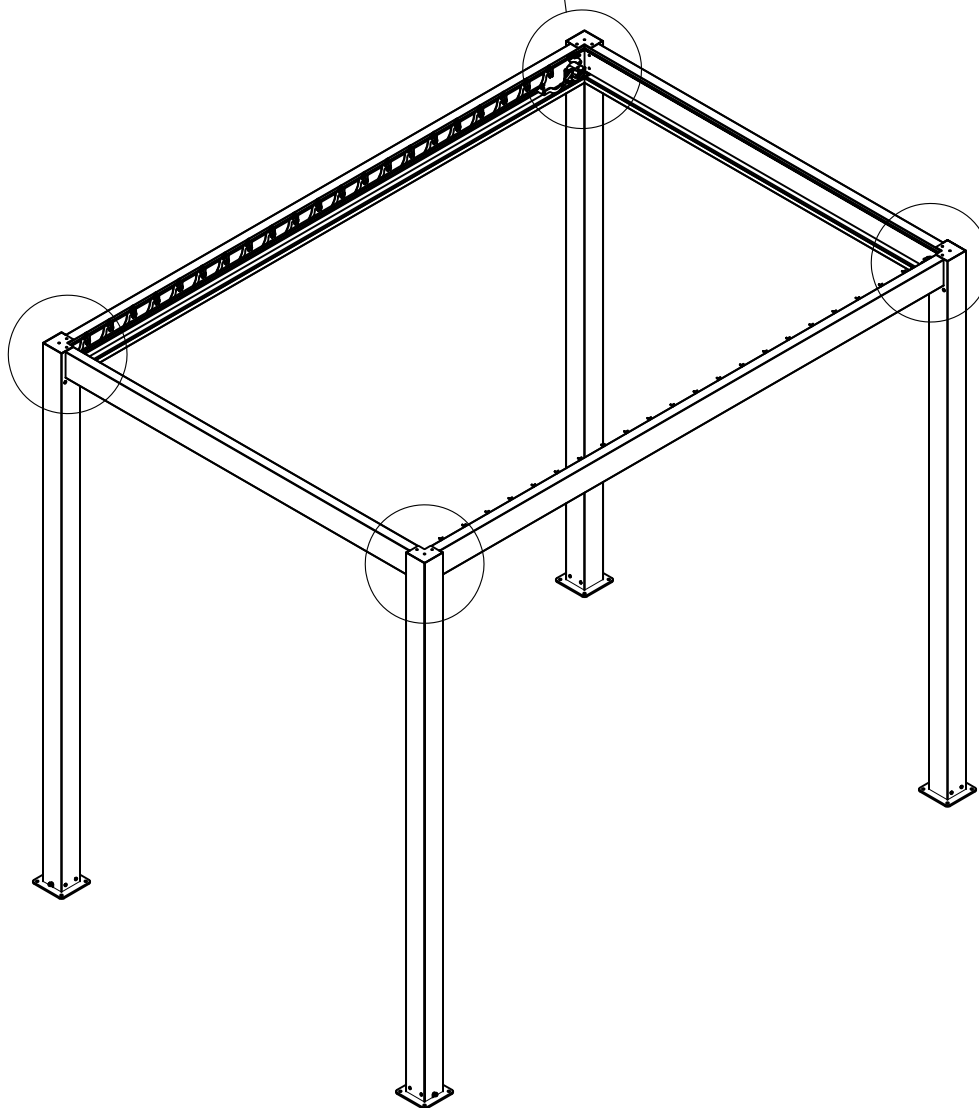
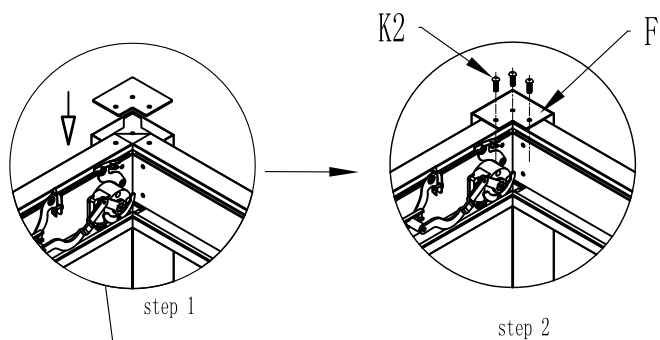


K1

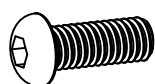


QTY: 4PCS

7. The 4 column cover plates F are respectively mounted on the corner connectors of the column and the beam and the screws K2 are tightened in turn;

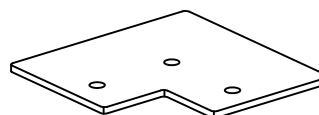


K2



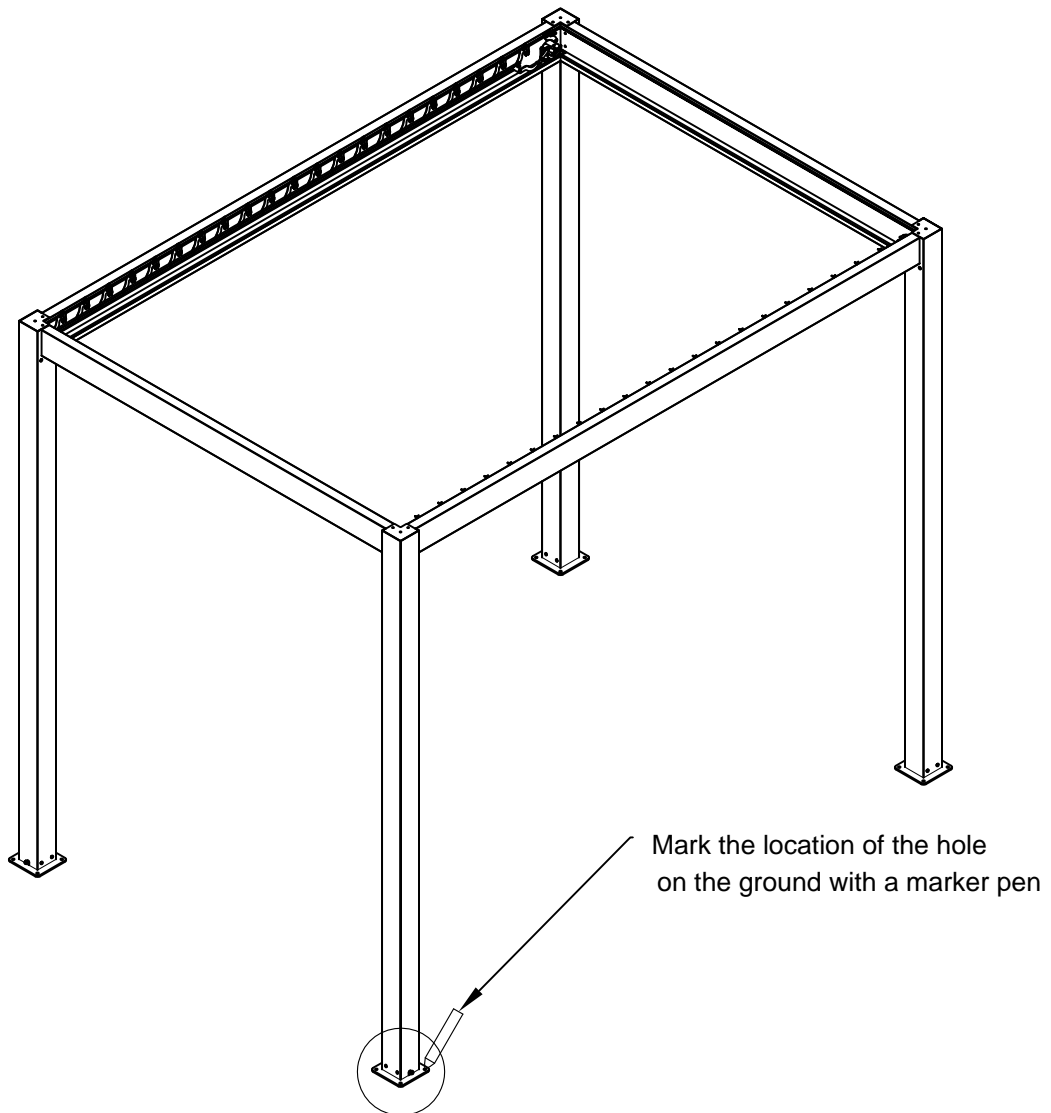
QTY:12PCS

F



QTY:4PCS

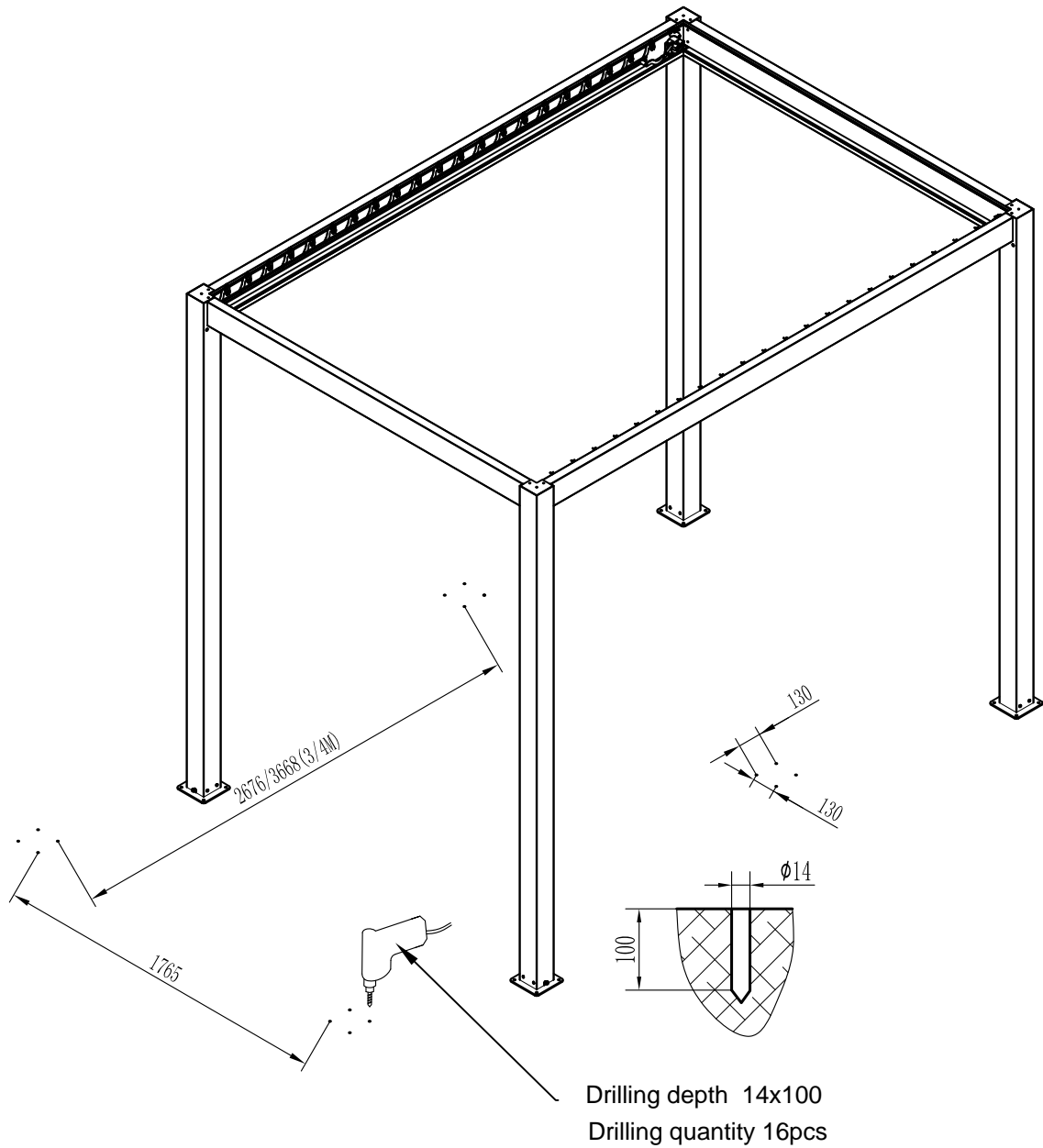
8. Adjust the position of the four columns so that they are perpendicular to the ground. Meanwhile, the width of the top of each two columns should be measured in accordance with the width of the bottom of each two columns. Then use a marker pen to mark 16 holes on the ground, which should be corresponding to the holes in the bottom plate.



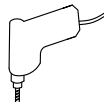
Use tools: marker pen
(self-provided by installer)



9. Remove the product from the mark and drill holes of 14x100 at 16 mark positions on the ground with a percussion drill.

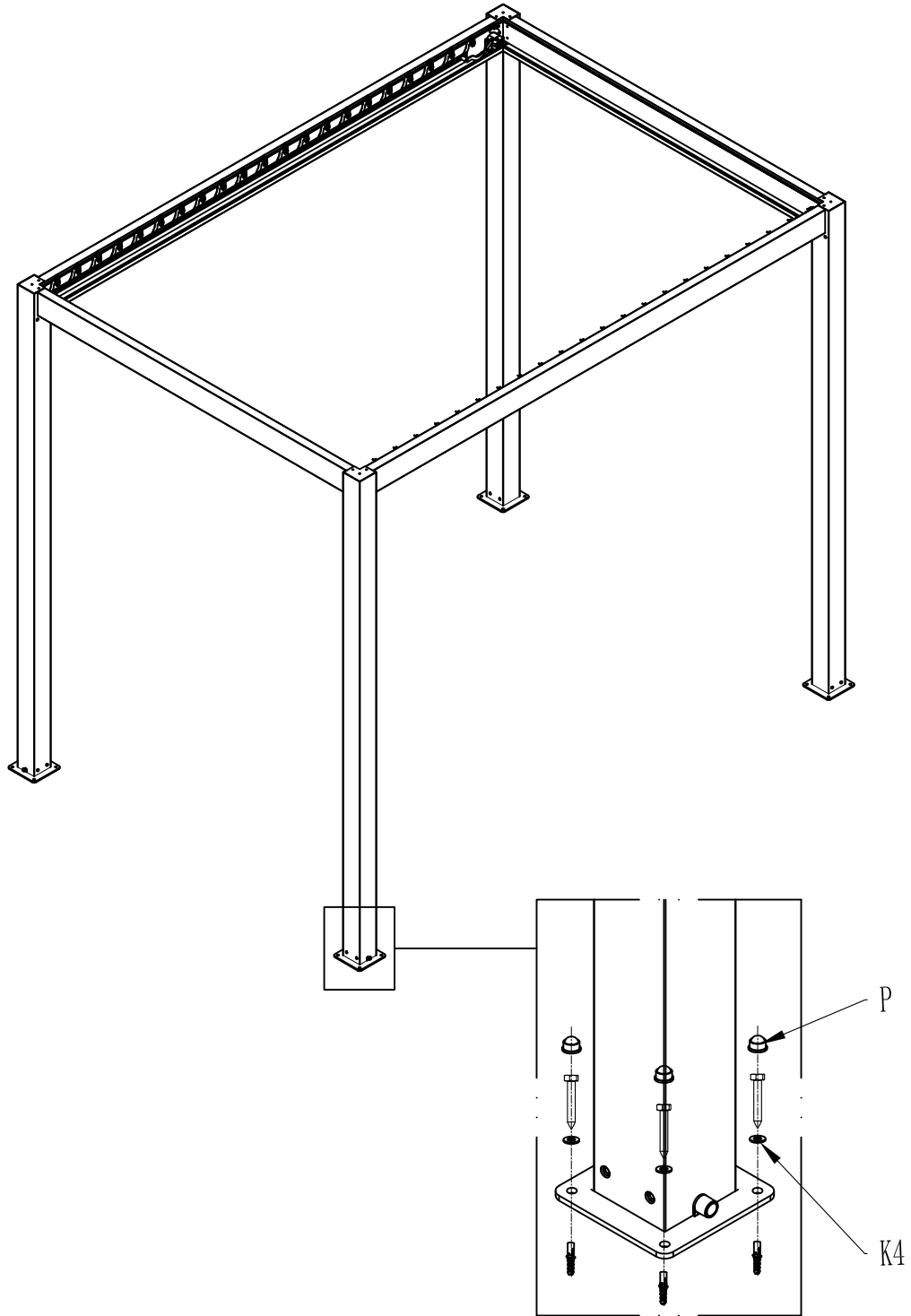


Use Tools: Percussion Drill
(Self-provided by installer)

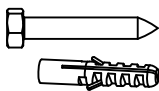


Use Tools: Percussion Bit 14
(Self-provided by installer)

10. Place the plastic expansion pipe in the bottom hole of the column; then move the product back to the hole drilled, align holes of the column bottom plates with the hole drilled on the ground; then set washer into the woodworking screw K4, and fix it with the ground and put on the screw cover P separately.



K4



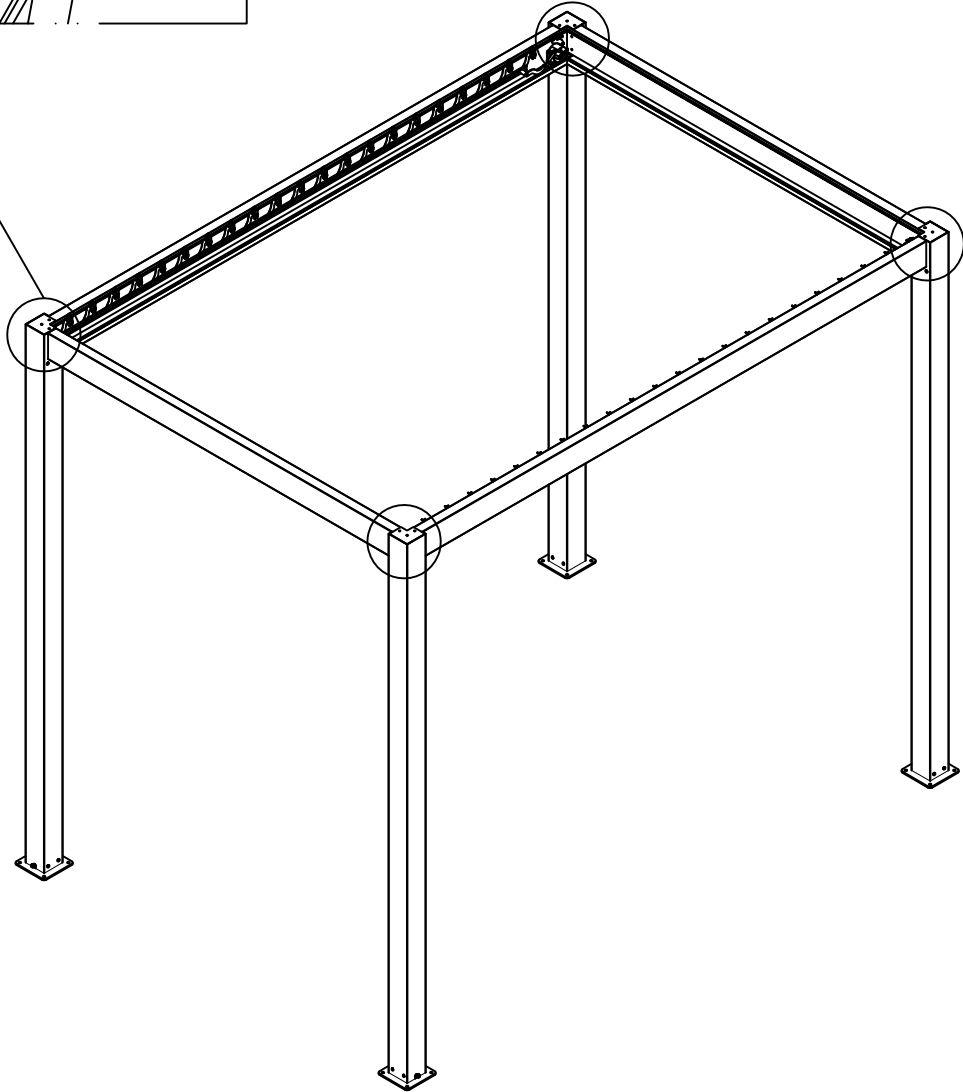
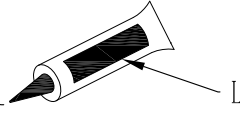
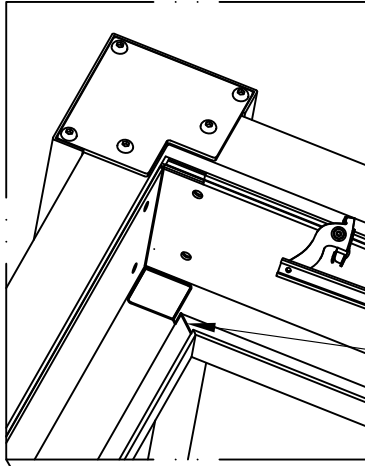
QTY: 16PCS

P

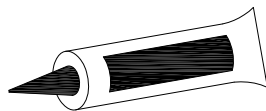


QTY: 16PCS

11. Coat the glass glue M evenly on the drain of column and joints of beams.

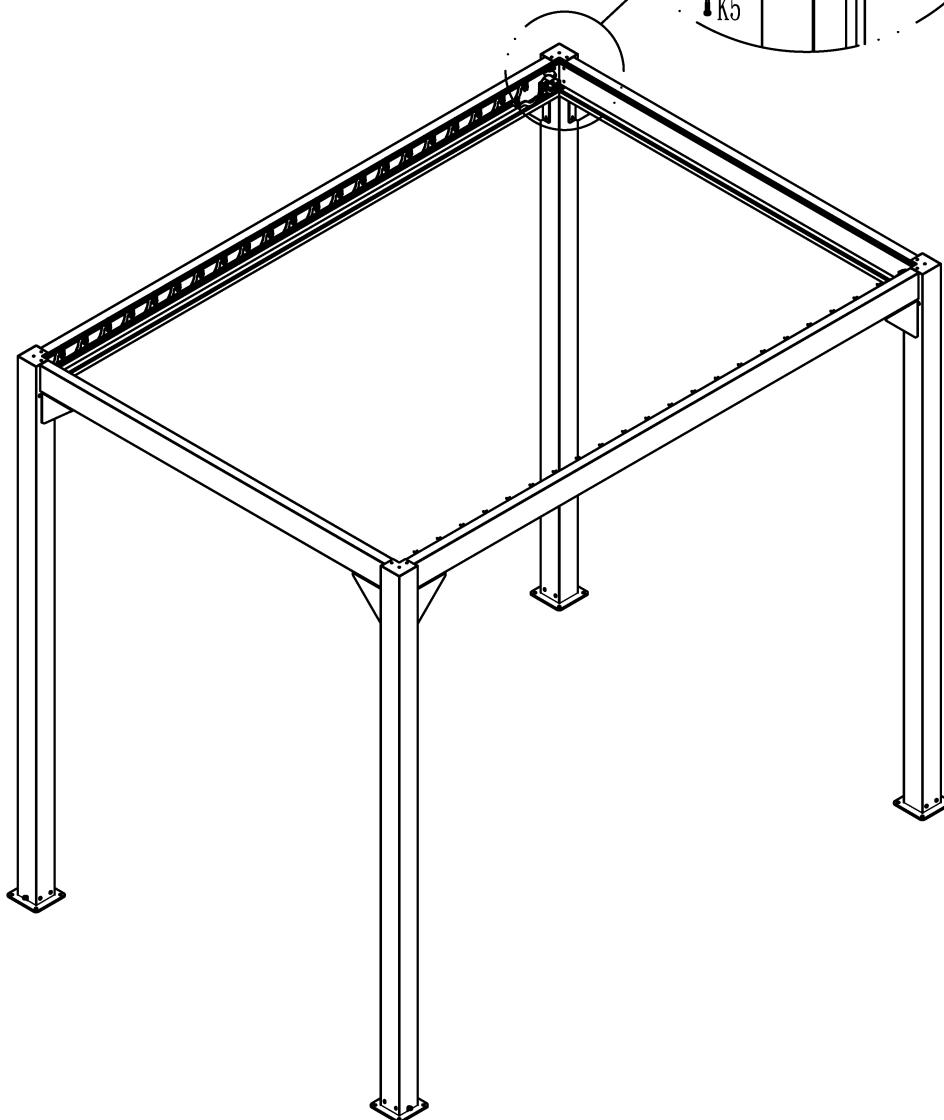
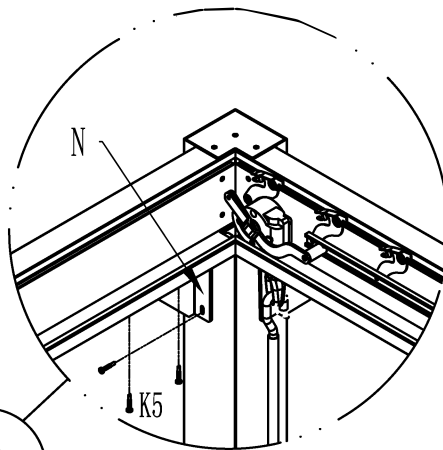


L



QTY: 1PC

12. Align the corner support plate N with the lower bottom edge of the beam B1 and the inner face of the column, and tighten and fix it with self-tapping self-drilling screws K5.



N



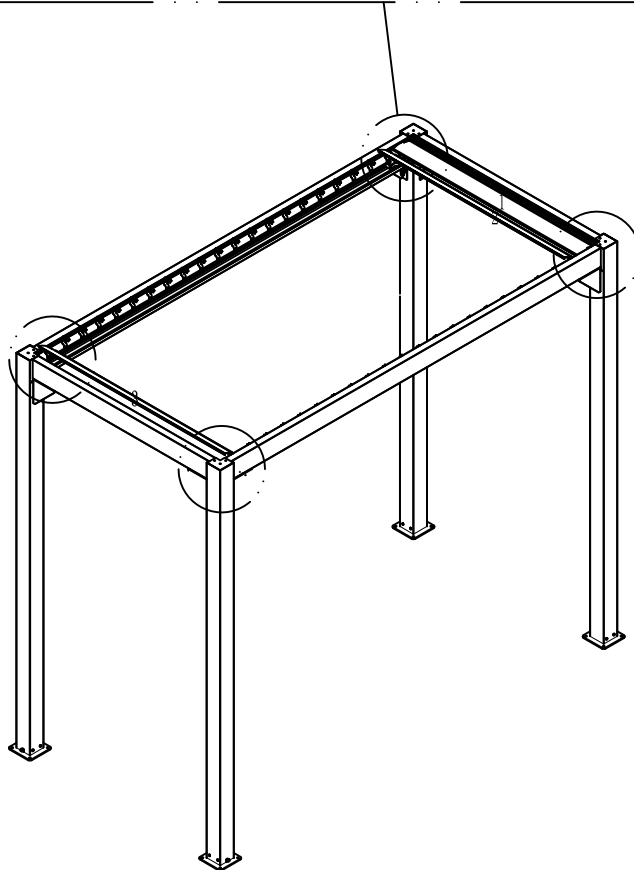
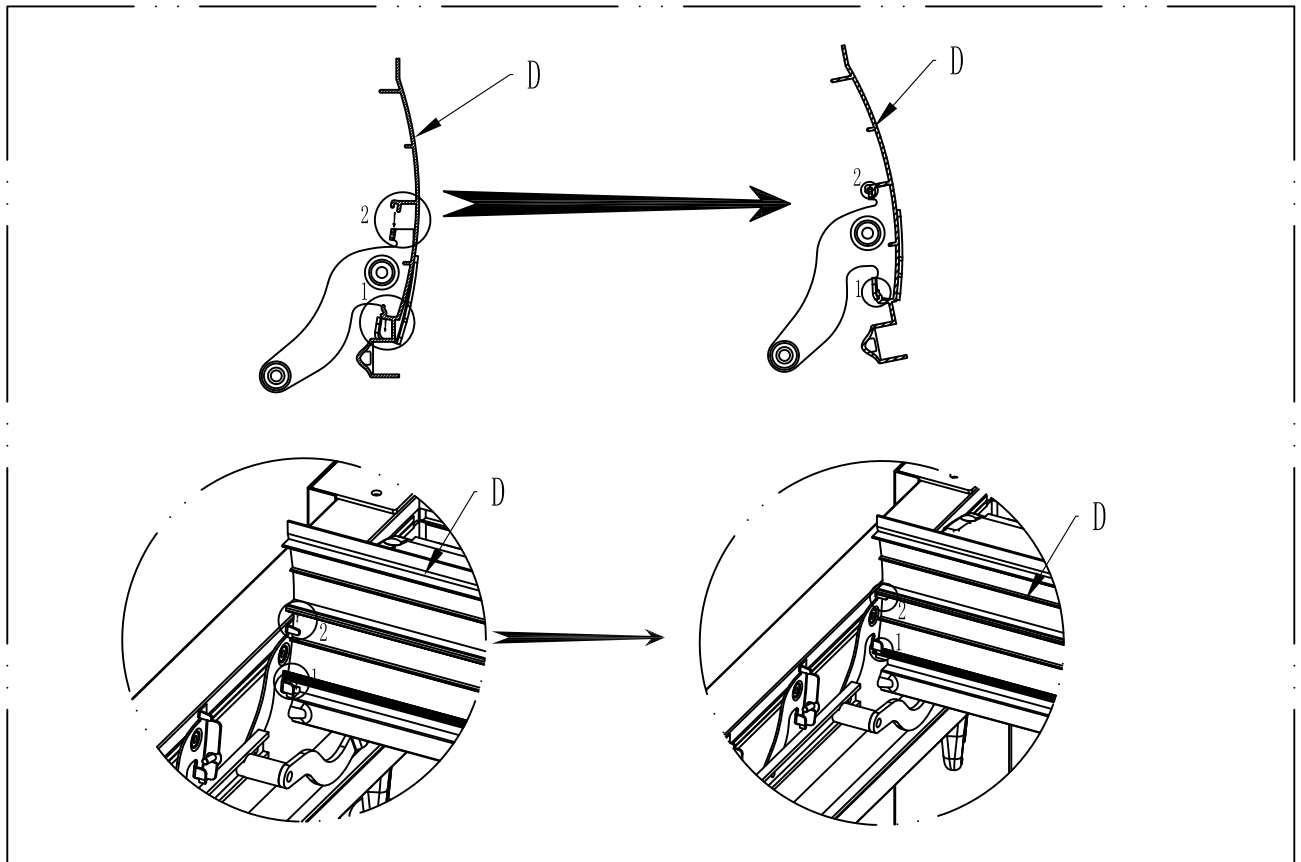
QTY: 8PCS

K5



QTY: 32PCS

13. Insert 2pcs louver (D) on the end of the brackets on both sides of the beams, and press down on the slat as shown in the sketch below to secure it.



14. Adjust the louvers

Step 1:

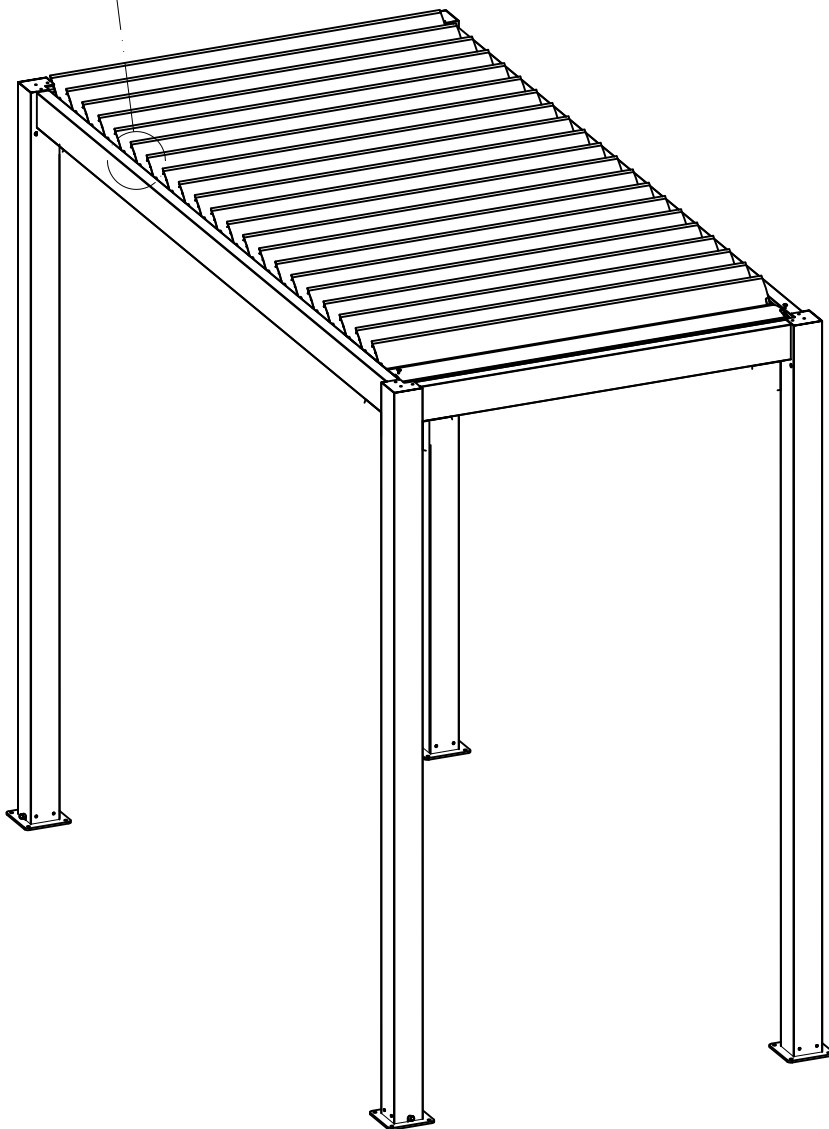
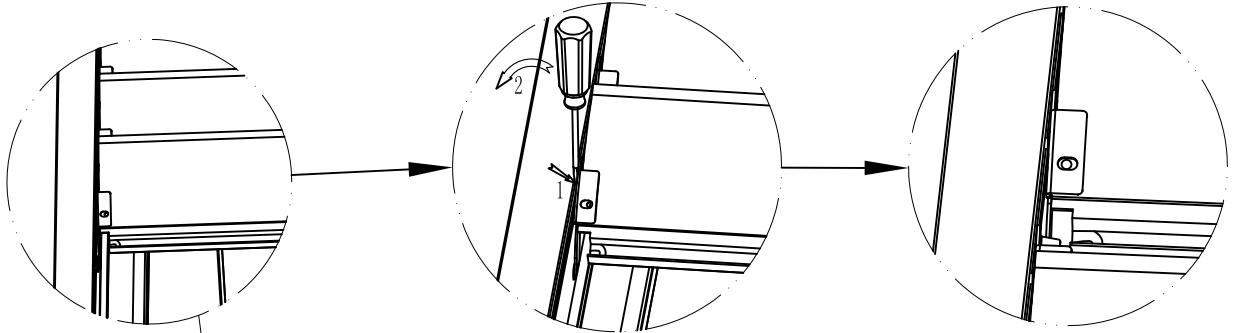
As shown below, if the holes are not concentric, need adjustment.

Step 2:

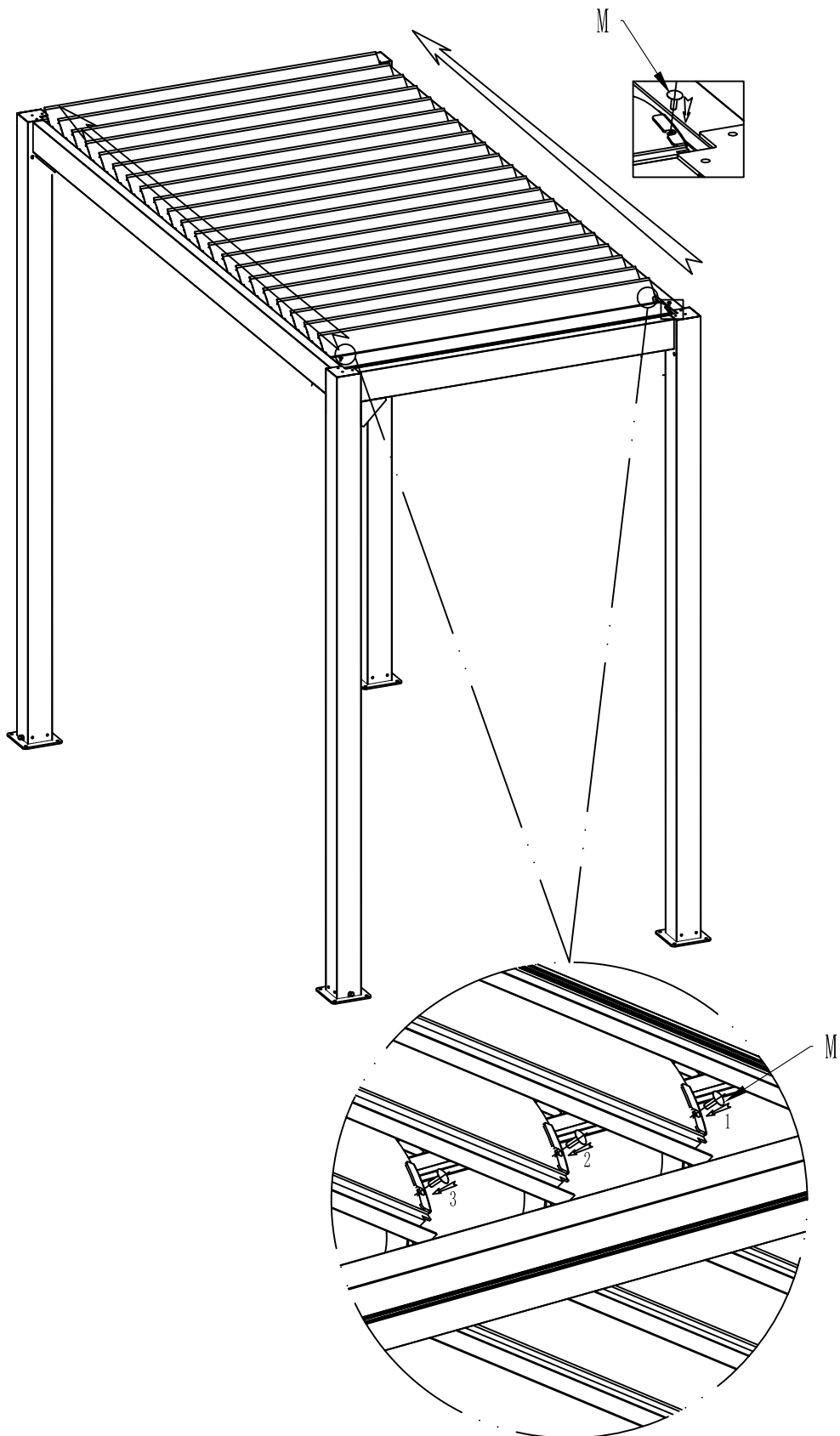
As shown below, insert a screwdriver into place 1 and adjust the louver support in direction 2, so that the hole of the louver support is aligned with the center of the hole of the louver.

Step 3:

After the adjustment, the hole of louver support is aligned with the center of the hole of the louver.

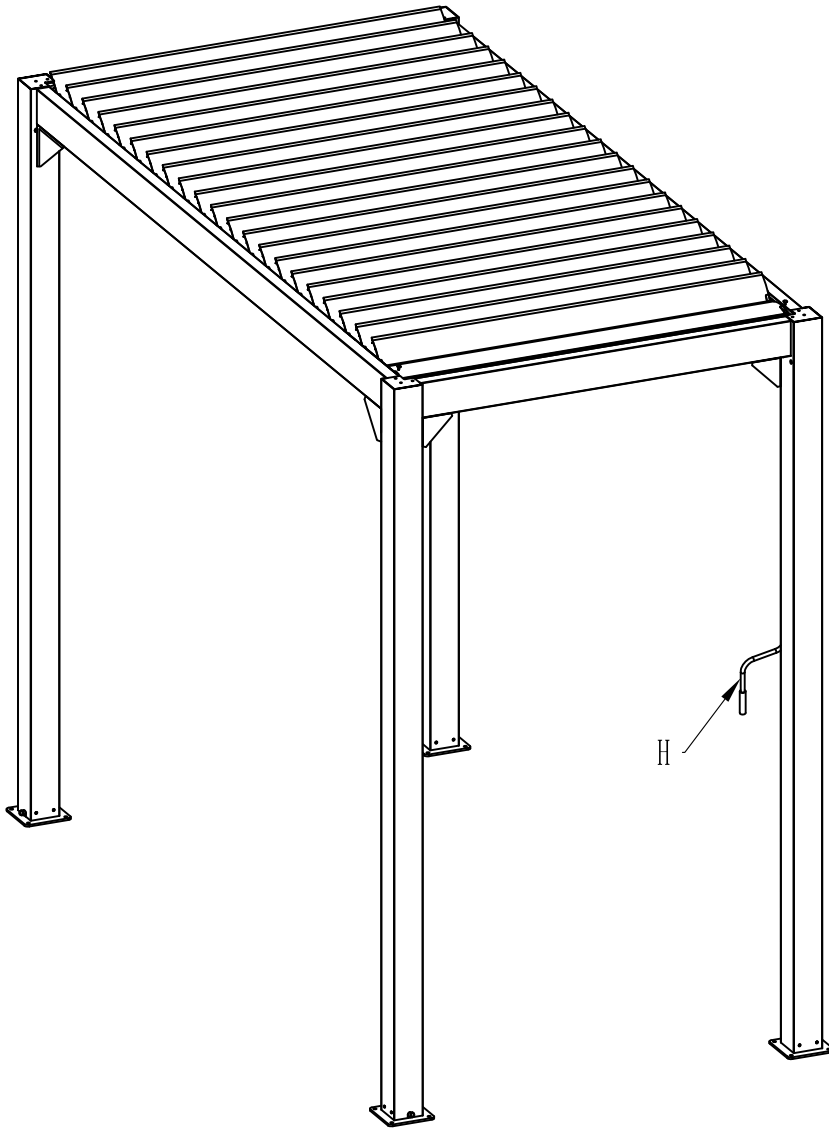


15. Insert plastic jams M into two sides of each louver.



Turn the louver half way and insert the plastic jam into the holes at its two ends.
Continue in the same way for each louver in turn.

16. Put on the hand crank H to turn over to open and close the louver; installation completed.



Contact information

Austria



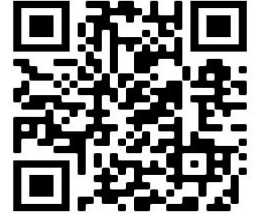
Belgium



Croatia



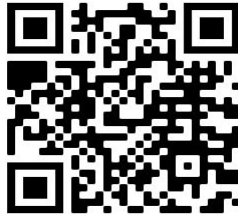
Denmark



Estonia



Finland



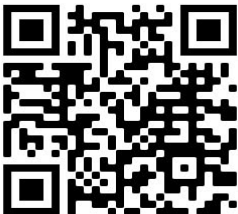
France



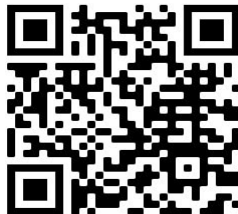
Germany



Ireland



Italy



Latvia



Lithuania



Nederland



Norway



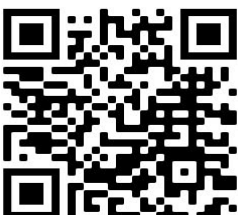
Poland



Portugal



Spain



Sweden



Switzerland



UK

