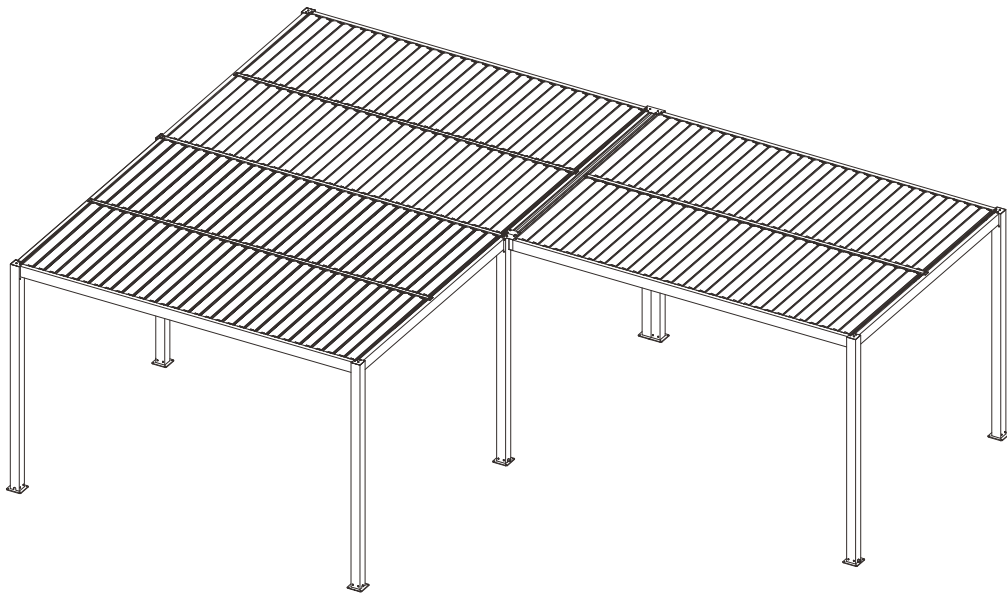


DANCOVER[®]



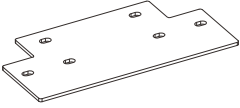
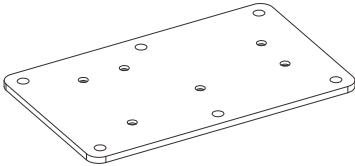
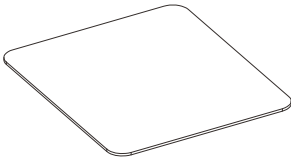
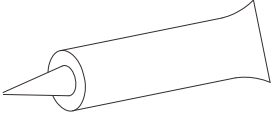
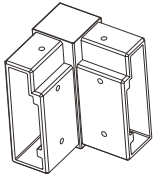
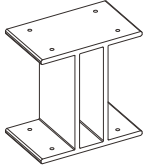
.com

Manual
for
Modular Connector Set MP-06
f/Pergola Gazebo San Pablo

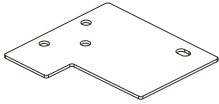
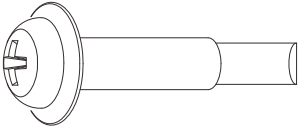
User's Manual



Part List

REF		PHOTO	QTY
A1	1351mm Rain cover plate		1
A2	1271mm Rain cover plate		1
B1	Two-Column Cover Plate		1
C1	Two-Column Base Plate		1
D	Waterproof Sticker		2
E	waterproof Sealant		2
F	Right-angle Joint		1
G	90-degree Joint Connection plate		1

Part List

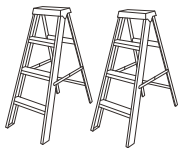
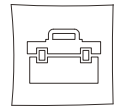
REF	PHOTO	QTY
H	8610 Connector Base 2 	1
S1	Self-drilling screws C-ST4.2*25 mm 	16

Kind Reminder

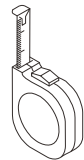
General Guidelines

- Please keep this manual for future use after you install the pergola;
- Please read the following instruction carefully before assembly;
- This manual may not include every details and considerable steps;
- Please contact us when you need further information or any help;

What you may need?



Ladder x2



Tapeline



Mallet

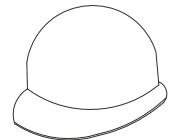


Glove

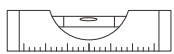


Ø10mm

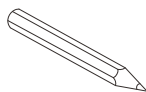
electric screw driver



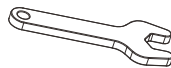
Safety hat



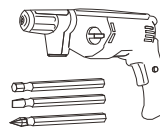
Level



Marker Pen



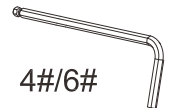
Wrench



screwdriver or electric screwdriver



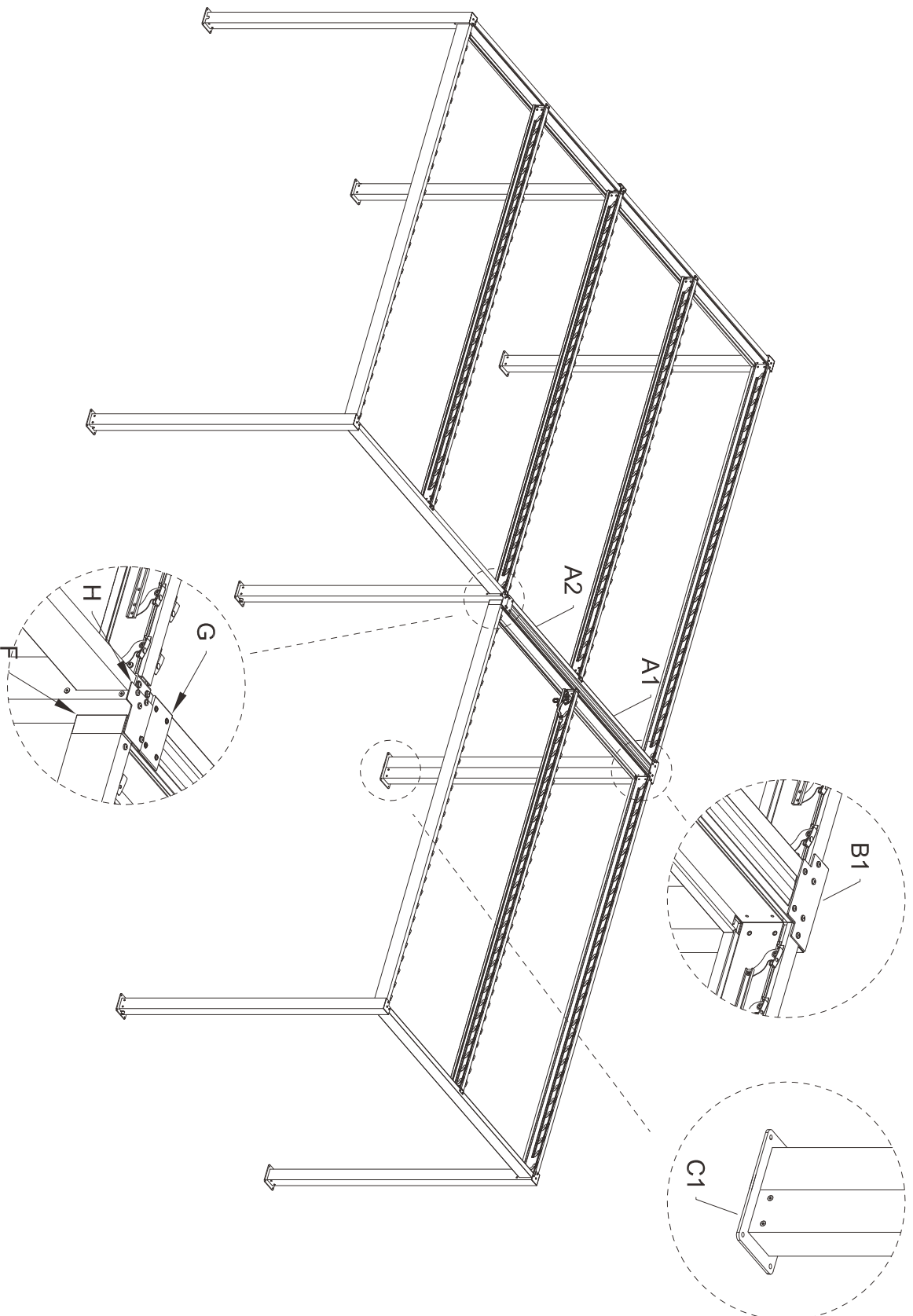
Sleeve tool



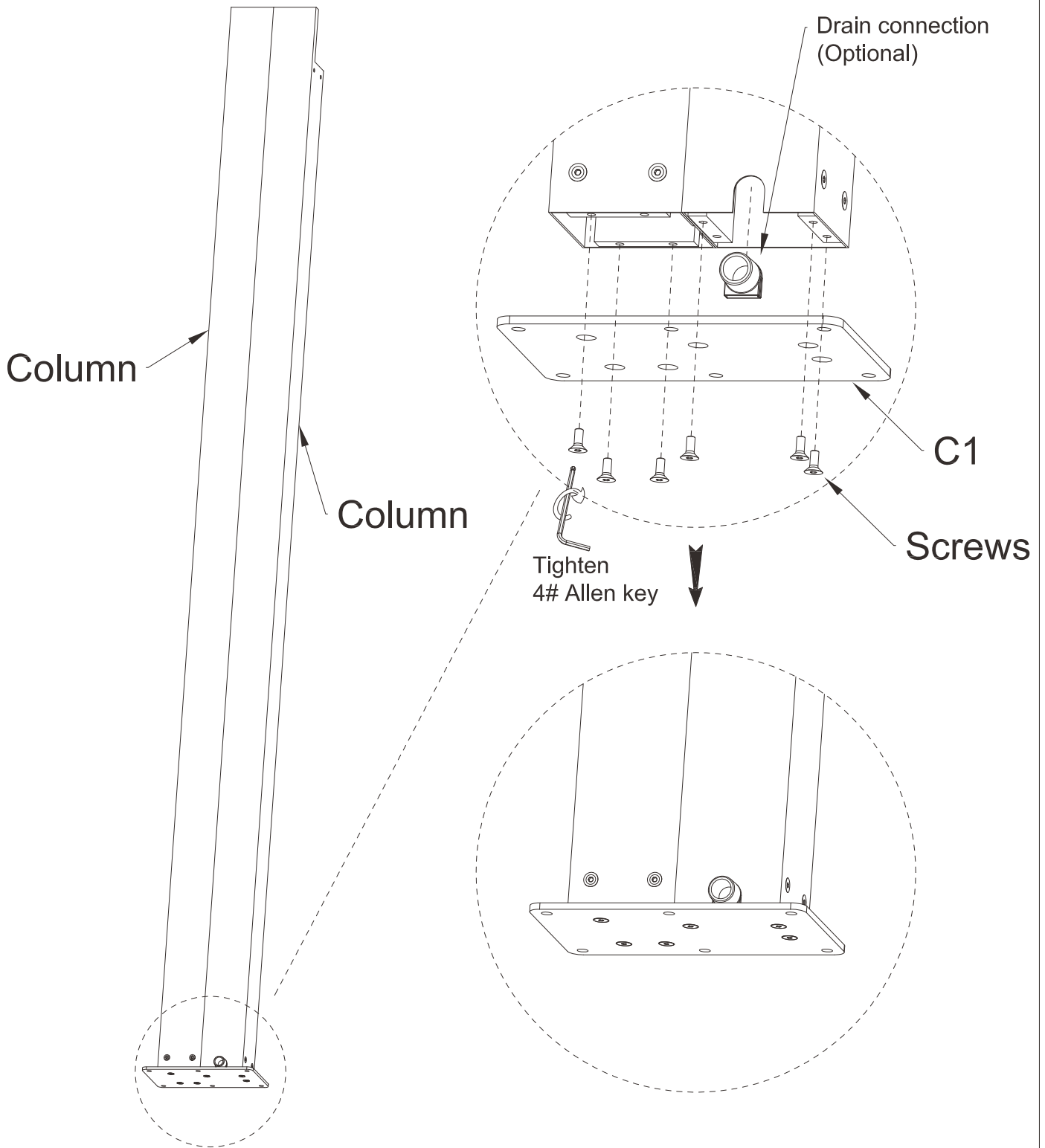
4#/6#

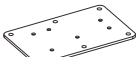
Allen key

1 In the figure: schematic of accessory installation

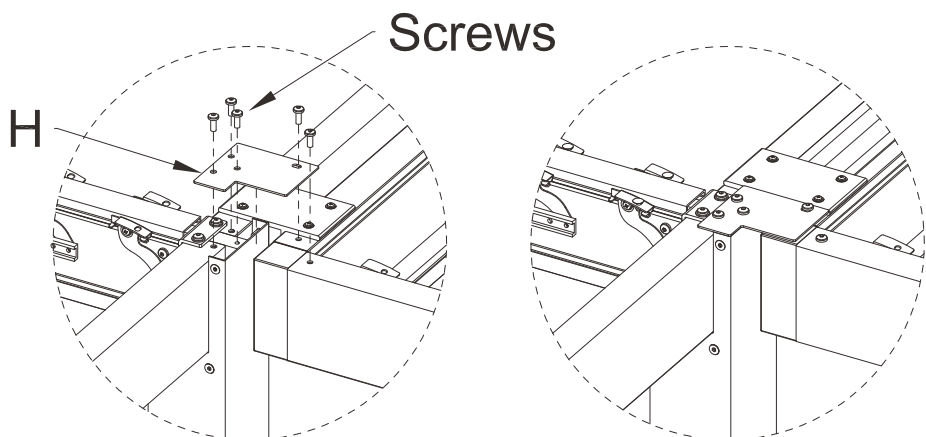
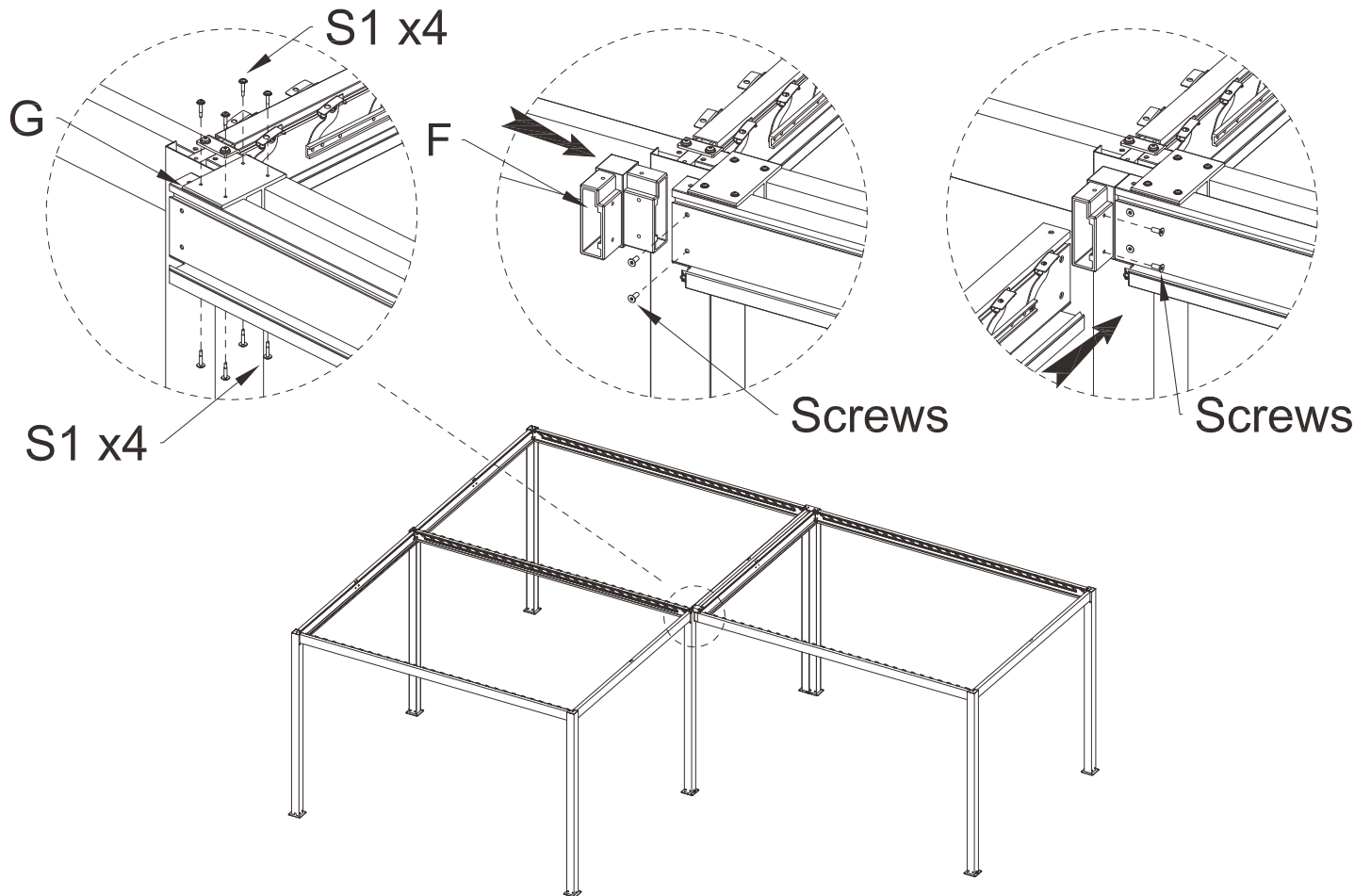


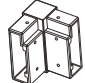


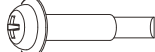
2-a Combine the two columns using the dual-column base plate (where only the base plate is replaced, and the drainage joint and screws use the original accessories).



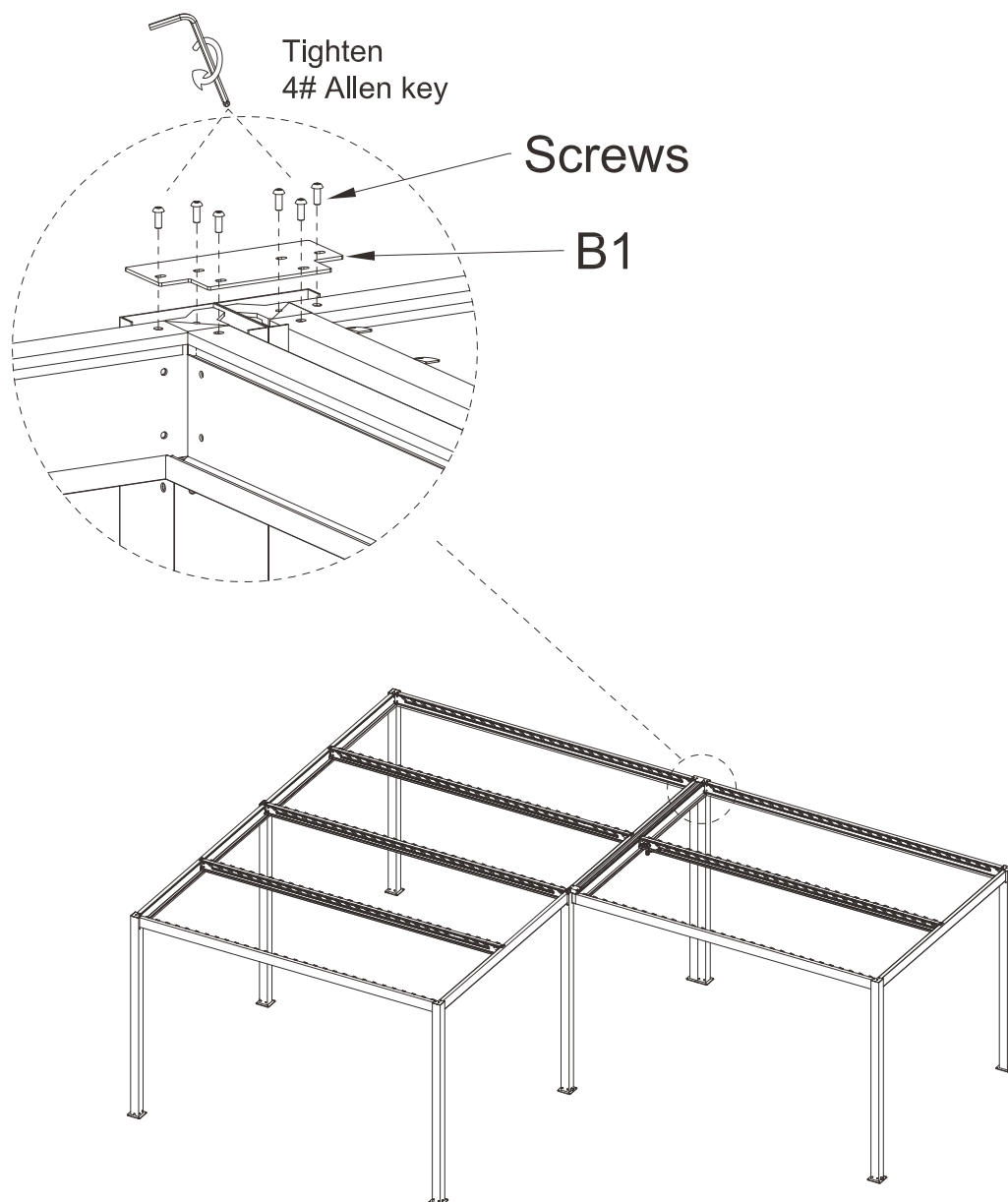
C1		QTY:1PC
-----------	---	---------

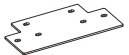
2-b Replace one of the columns of the right canopy in the figure with a right-angle joint, then use a connecting plate F to fix the crossbeam to the side of another set of awnings. (The right-angle joint uses the original fixing screws.).



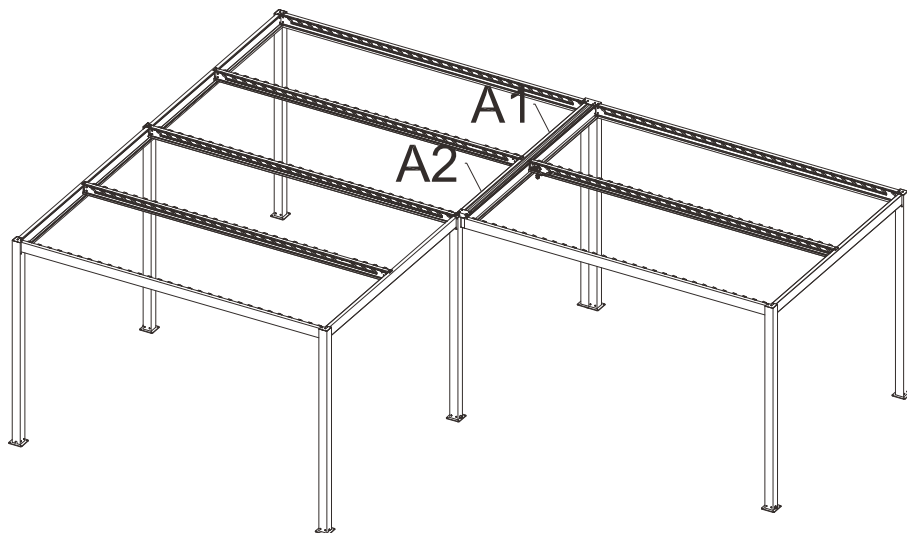
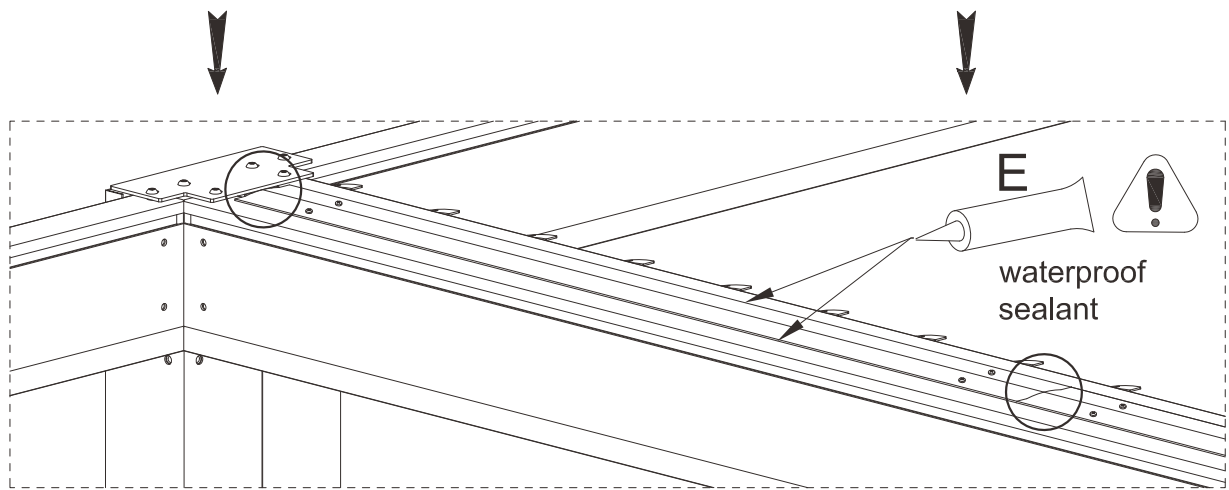
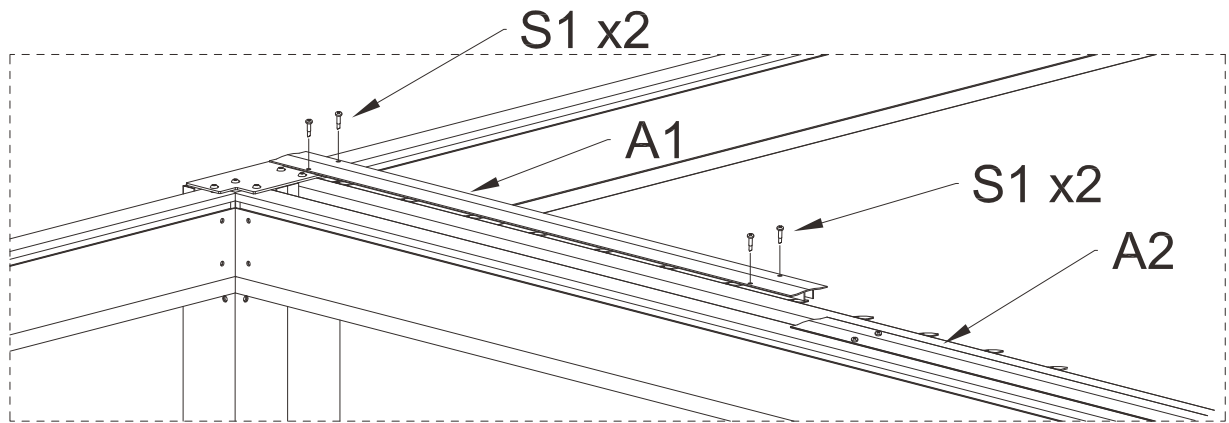
F		QTY:1PC	G		QTY:1PC
H		QTY:1PC	S1		QTY:8PCS


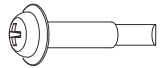


3 Install the column cover (fixing screws use the original configuration).



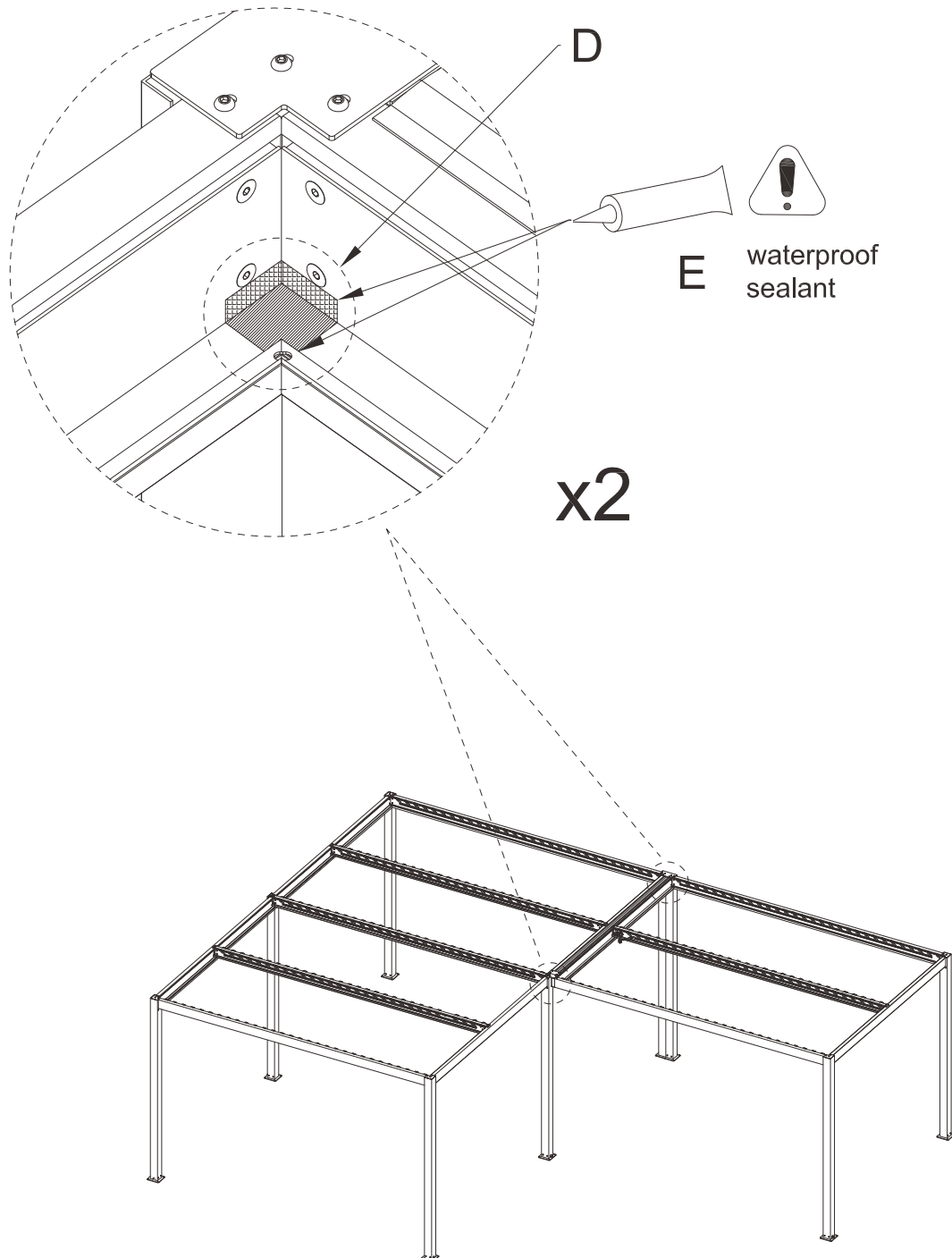
B1		QTY:1PC
-----------	---	---------

4 Install the rain cover panel and apply waterproof sealant at the seams.



A1		QTY:1PC	S1		QTY:8PCS
A2		QTY:1PC	E		

5 In the combined column, the water outlet of one or two columns may be blocked, and waterproof tape needs to be applied at the crossbeam drainage outlet for treatment.



D		QTY:2PCS	E	
---	---	----------	---	---

Contact information

Austria



Belgium



Croatia



Denmark



Estonia



Finland



France



Germany



Ireland



Italy



Latvia



Lithuania



Nederland



Norway



Poland



Portugal



Spain



Sweden



Switzerland



UK

