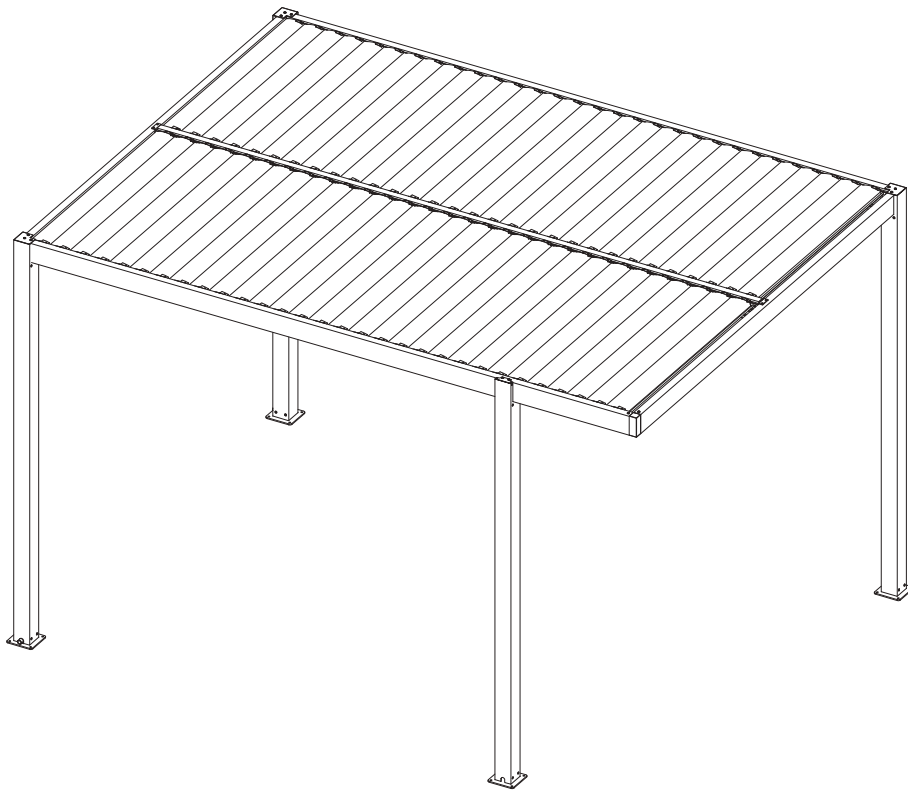


DANCOVER[®]

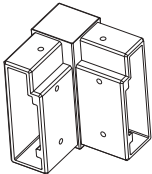
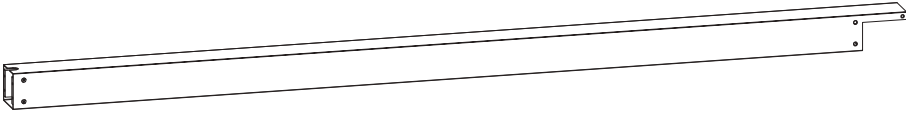
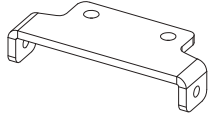
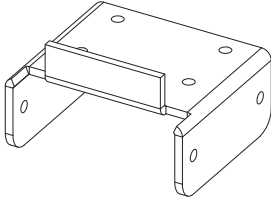
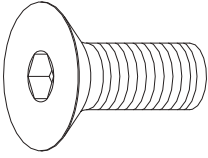
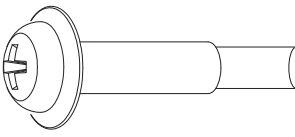
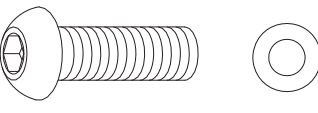
.com

Manual
for
Modular Connector Set MP-07
f/Pergola Gazebo San Pablo

User's Manual



Part List

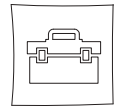
REF	PHOTO	QTY
A	<p>Right-angle Joint</p> 	1
B	<p>Movable Middle Column</p> 	1
C	<p>100 Square Tube Middle Column Cover Plate</p> 	1
D	<p>8610 Connecting Seat</p> 	1
S1	<p>Hexagon Socket Countersunk Head Screws M6*20</p> 	10
S2	<p>Self-drilling screws C-ST4.2*25 mm</p> 	6
S3	<p>Hex Button Screws And Flat Wahers φ6 & M6*16 mm</p> 	2

Kind Reminder

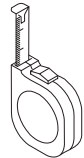
General Guidelines

- Please keep this manual for future use after you install the pergola;
- Please read the following instruction carefully before assembly;
- This manual may not include every details and considerable steps;
- Please contact us when you need further information or any help;

What you may need?



Ladder x2



Tapeline



Mallet

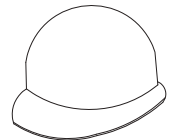


Glove

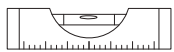


Ø10mm

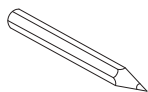
electric screw driver



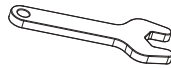
Safety hat



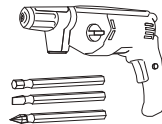
Level



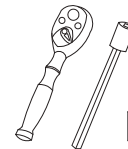
Marker Pen



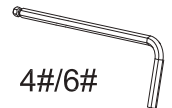
Wrench



screwdriver or electric screwdriver



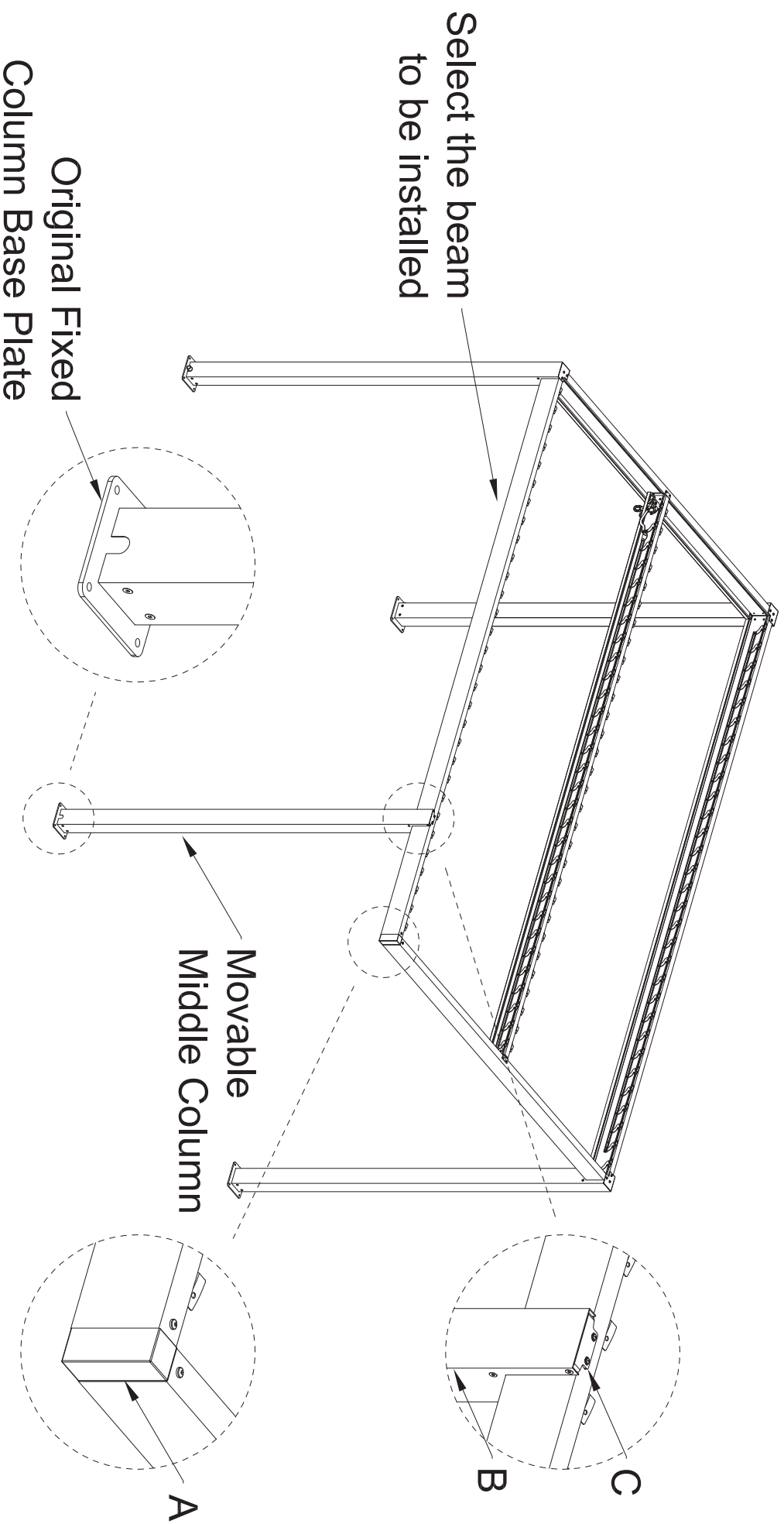
Sleeve tool



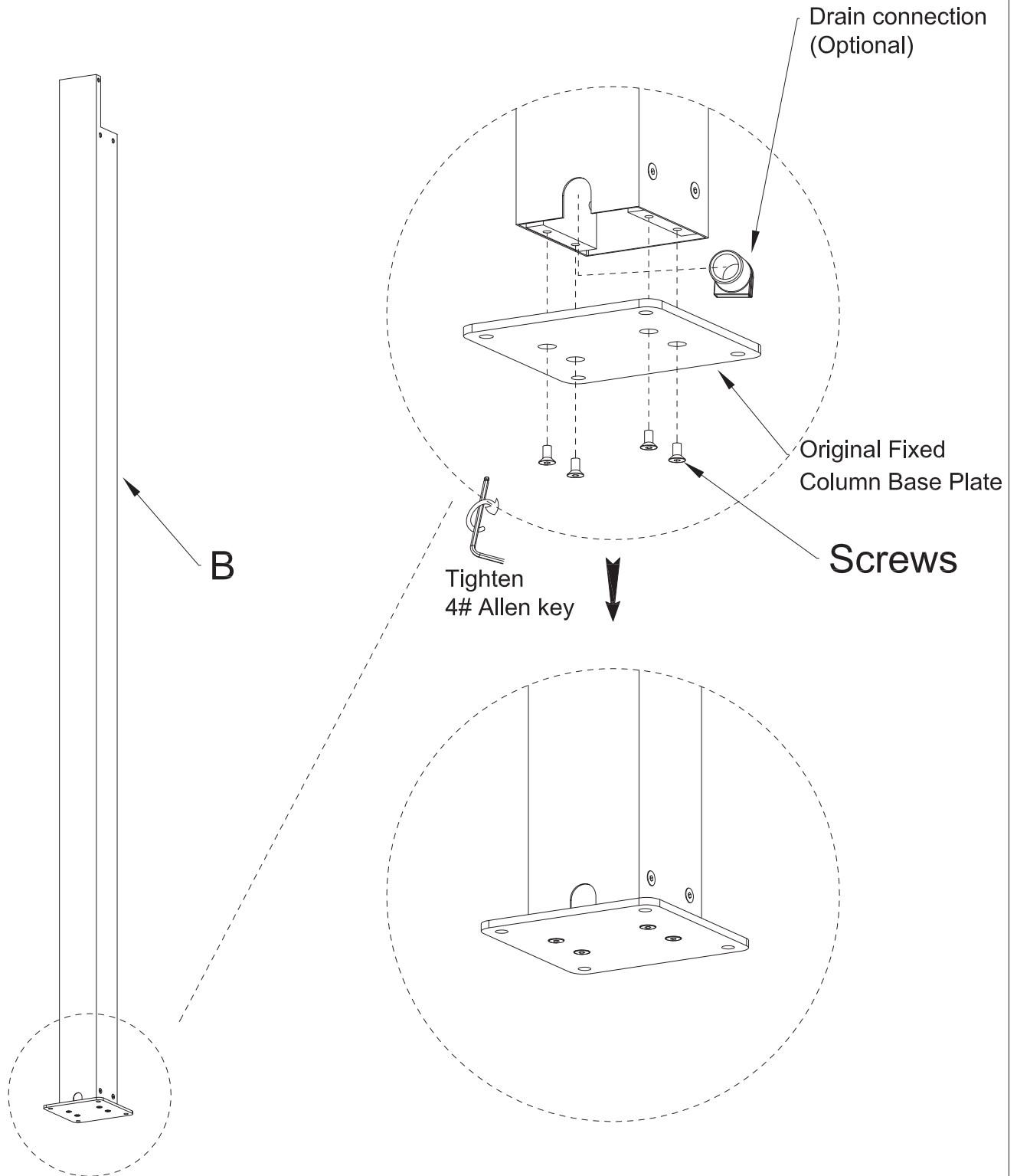
4#/6#

Allen key

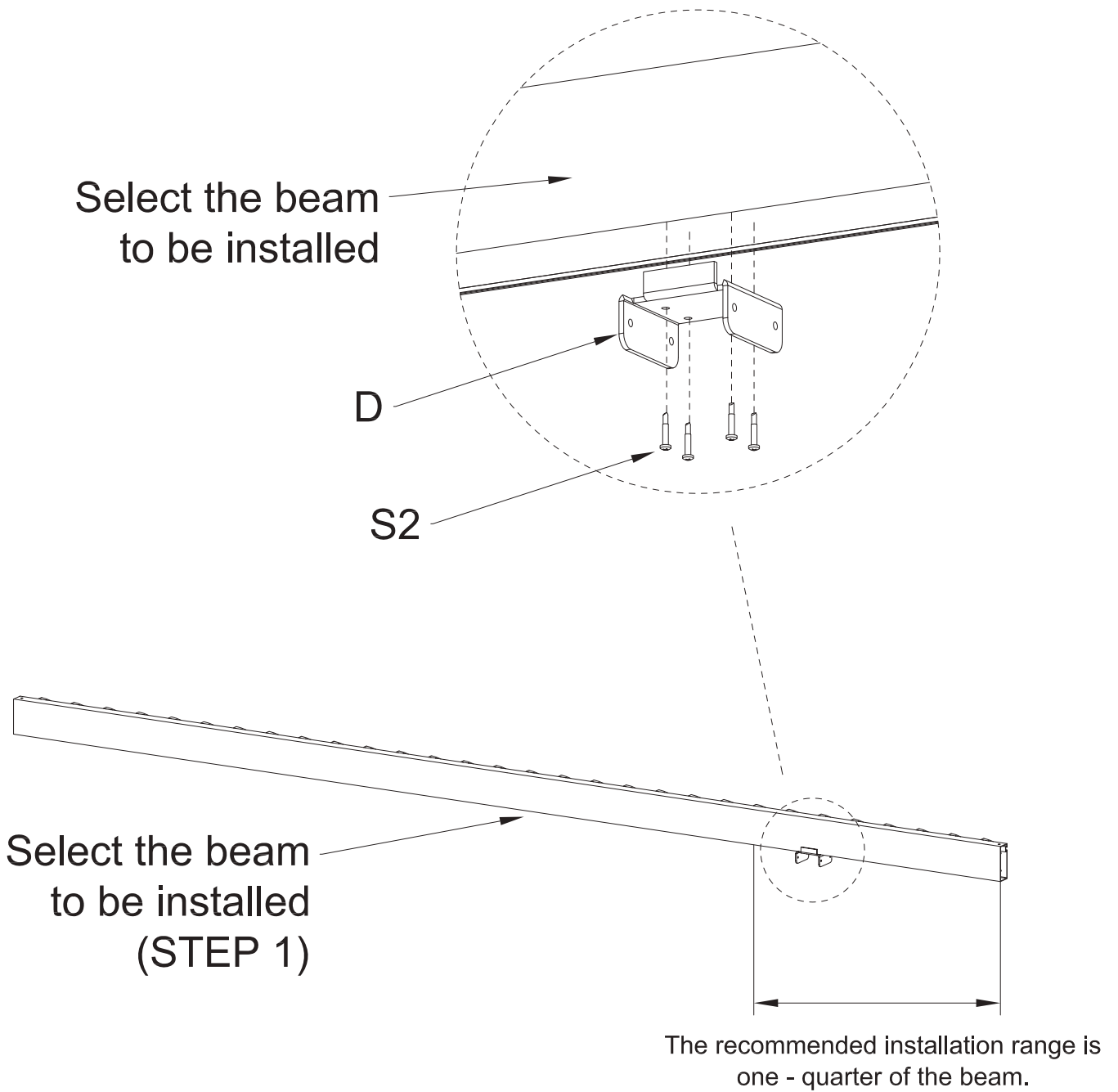
1 In the figure: schematic of accessory installation

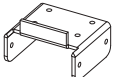
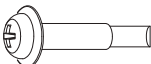


2-a Assemble the movable columns in the kit with the base plates of the original fixed columns using the original matching screws.

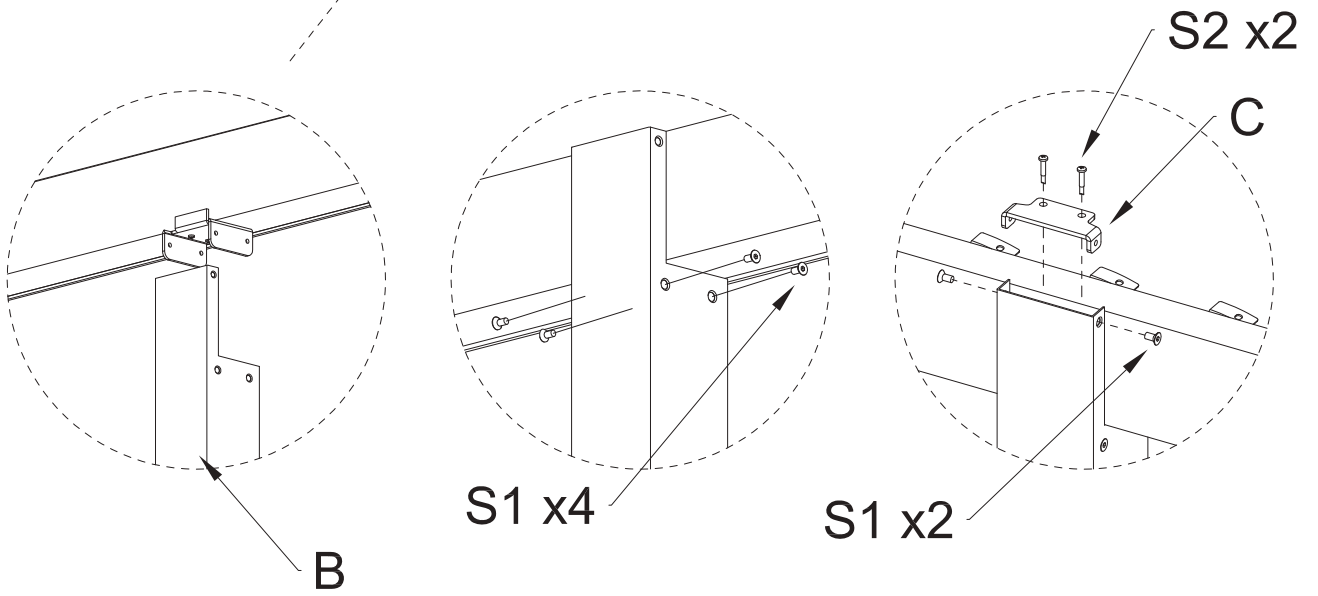
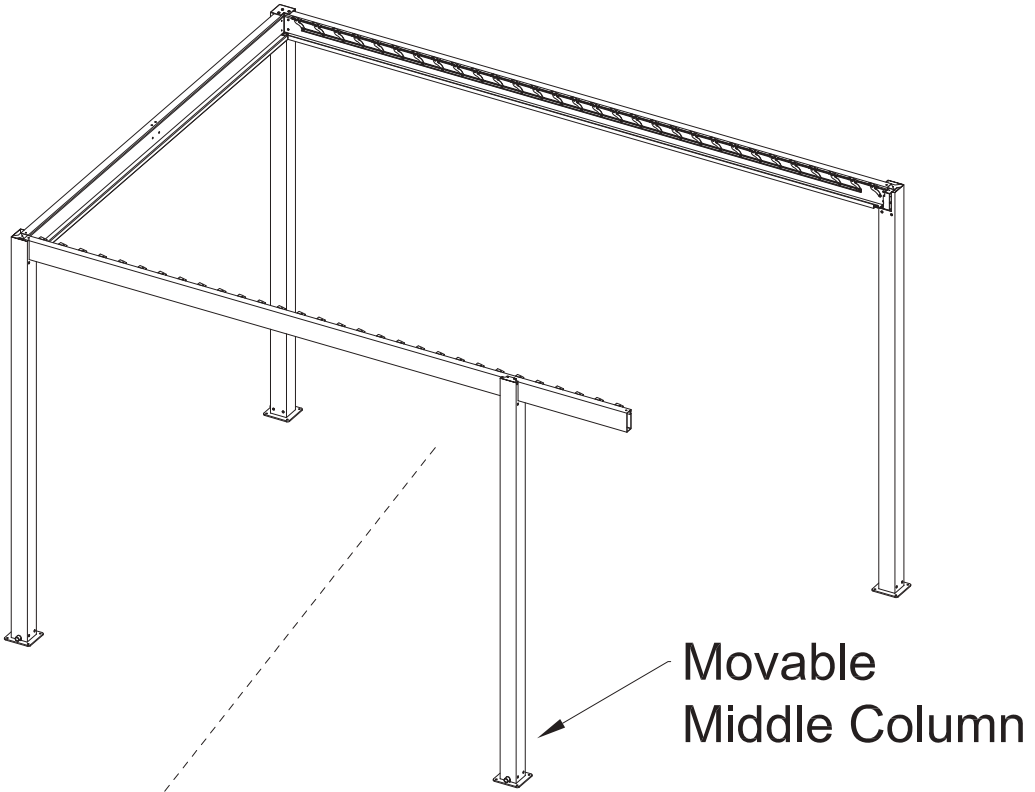



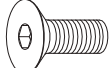
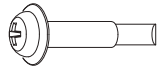
2-b Translate into English: Select a crossbeam from the installation kit and install fixing part D within the quarter range.



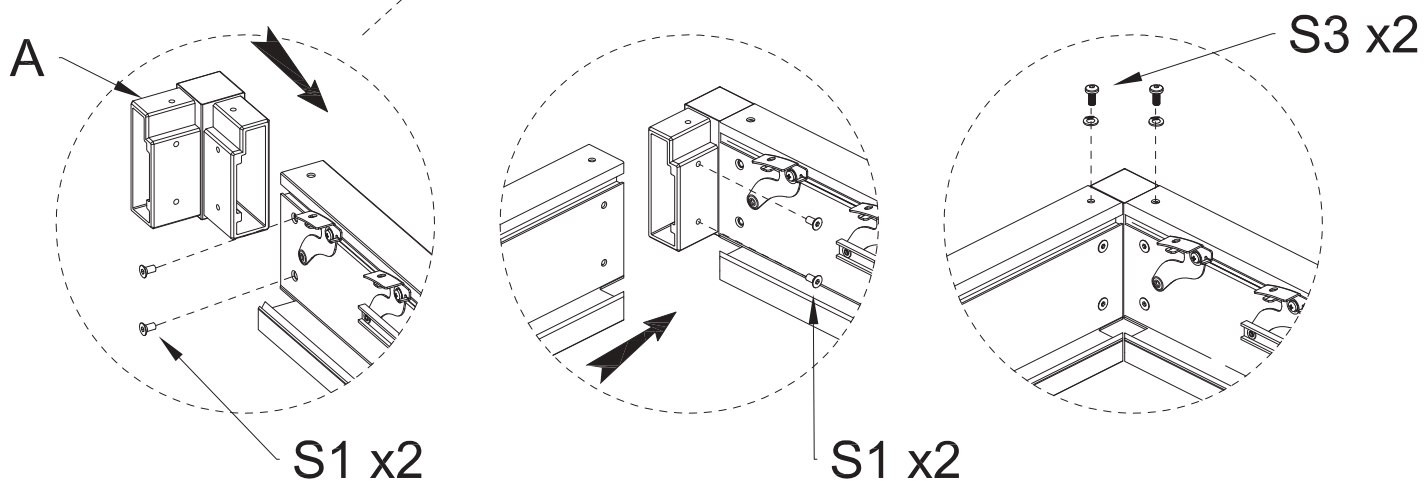
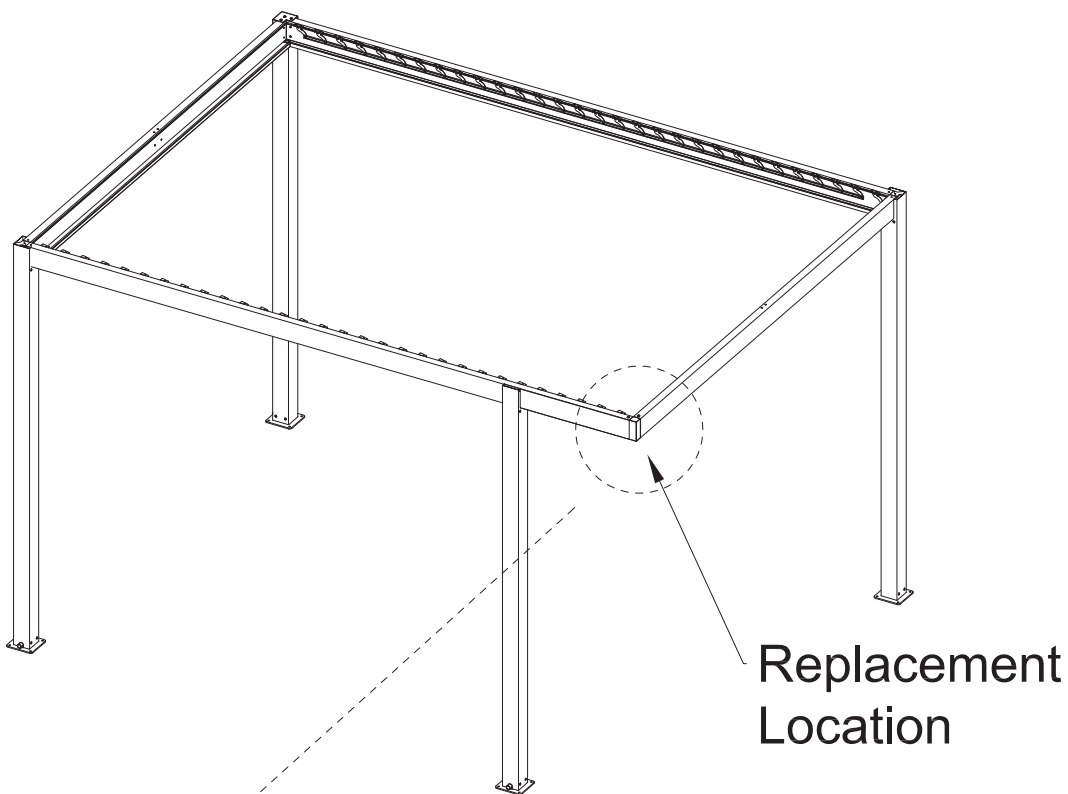
D		QTY:1PC	S2		QTY:4PCS
----------	---	---------	-----------	---	----------


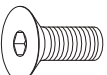
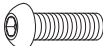

2-c Install the movable column assembly.



C		QTY:1PC	S1		QTY:6PCS	S2		QTY:2PCS
----------	---	---------	-----------	---	----------	-----------	---	----------

2-d Install the beam, where the corner shown in the diagram is replaced with a right-angle joint connection.



A		QTY:1PC	S1		QTY:4PCS	S3	 	QTY:2PCS
---	---	---------	----	---	----------	----	---	----------

Contact information

Austria



Belgium



Croatia



Denmark



Estonia



Finland



France



Germany



Ireland



Italy



Latvia



Lithuania



Nederland



Norway



Poland



Portugal



Spain



Sweden



Switzerland



UK

