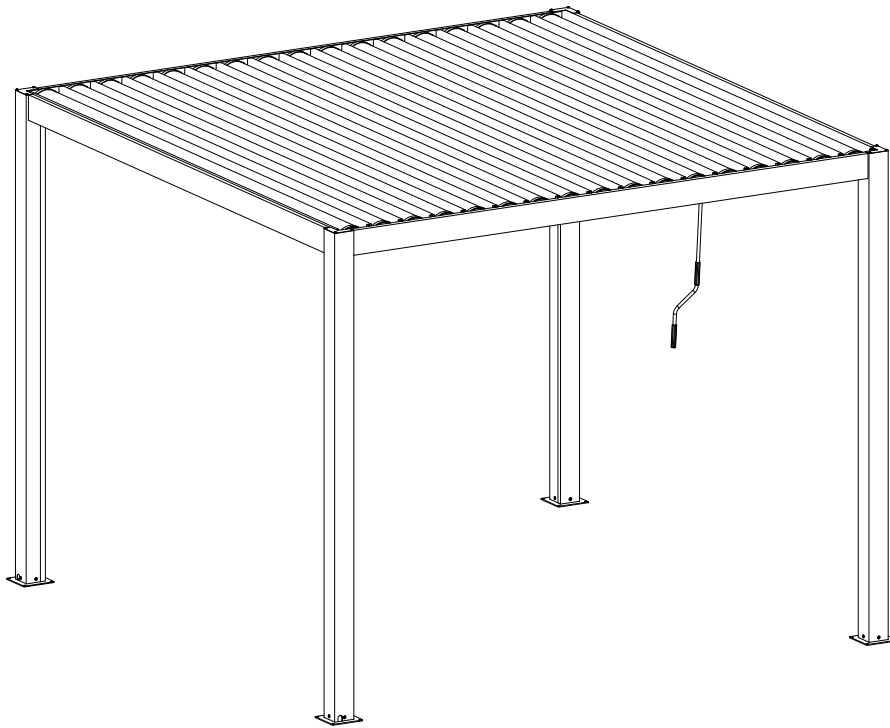


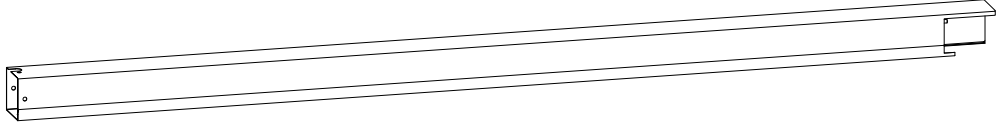
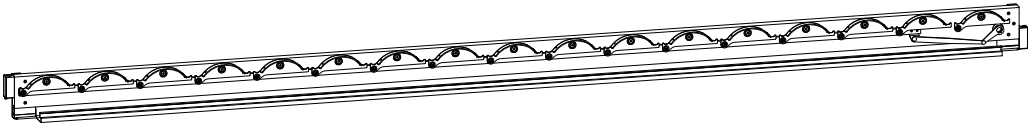
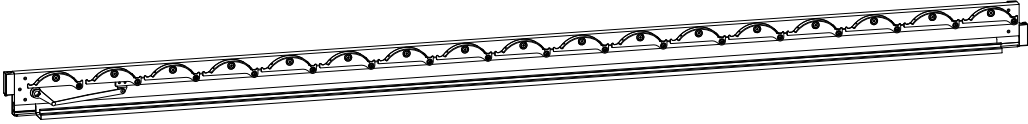

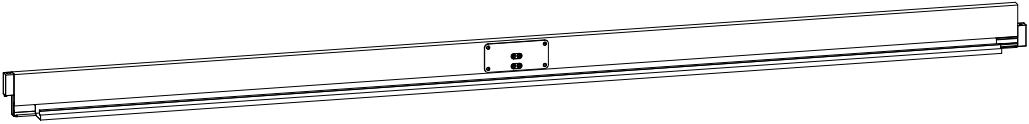
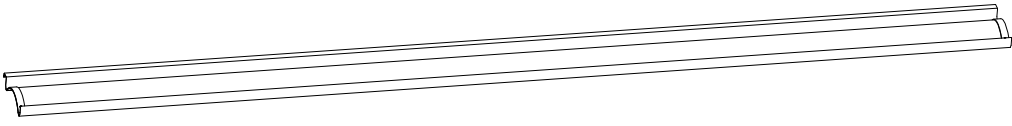
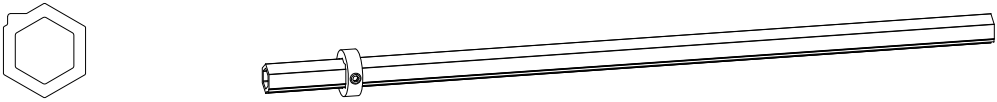
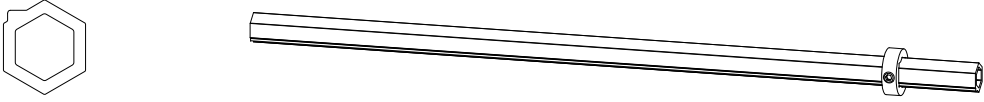
**DANCOVER<sup>®</sup>** 

Manual  
for  
Pergola Gazebo San Pablo Steel+  
3x3m, 3x4m and 4x4m



# Manual Instruction



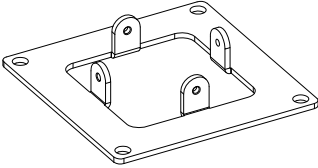
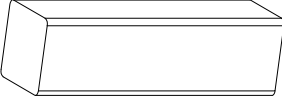
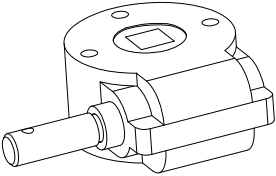
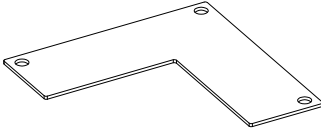
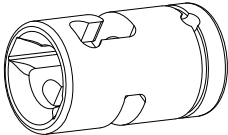
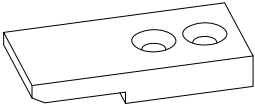
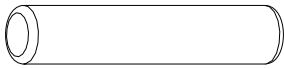
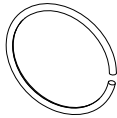
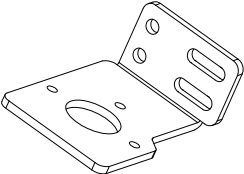
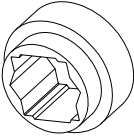
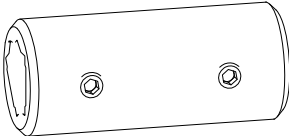
# Parts list table

REF	PHOTO	QTY
A1		4
B1		1
B2		1
C1		1
C2		1
F		3x3=17 3x4=23 4x4=23
I1		1
I2		1

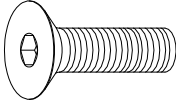
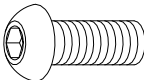
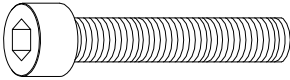
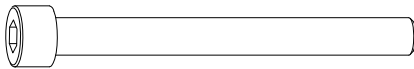
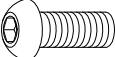


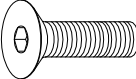
# Parts list table

REF	PHOTO	QTY
J		1
K		1

# Parts list table

REF	PHOTO	QTY	REF	PHOTO	QTY
L1		4	L9		1
L2		1	L10		4
L3		1	L11		8
L4	 φ4*20	1			
L5	 φ21.5*1	1			
L6		1			
L7		2			
L8		2			

# Parts list table

REF	PHOTO	QTY	REF	PHOTO	QTY
S1	 <p>M6*16</p>	16			
S2	 <p>M6*16</p>	4			
S3	 <p>M6*35</p>	3			
S4	 <p>M8*130</p>	4			
S5	 <p>M5*8</p>	3x3=68 3x4=92 4x4=92			
S6	 <p>M4*6</p>	12			
S7	 <p>M8*70</p>	16			
S8	 <p>M5*16</p>	16			

# Kind Reminder

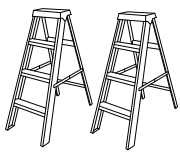
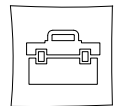
## General Guidelines

- Please keep this manual for future use after you install the pergola;
- Please read the following instruction carefully before assembly;
- This manual may not include every details and considerable steps;
- Please contact us when you need further information or any help

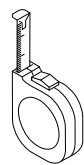
## Kind Notes

- Please do not allow snow to accumulate on the louver roof. If moderate or heavy snow is expected to coming, do open the louvers, also does it in the conditions of high winds or other extreme weather conditions.

## What you may need?



Ladder x2



Tapeline



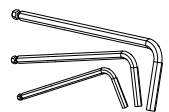
Mallet



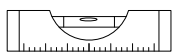
Glove



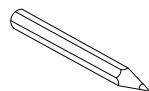
Ø10mm  
electric screw  
driver



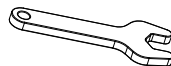
Allen key



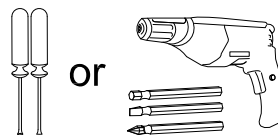
Level



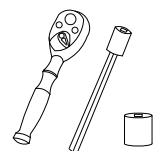
Marker  
Pen



Adjustable  
wrench



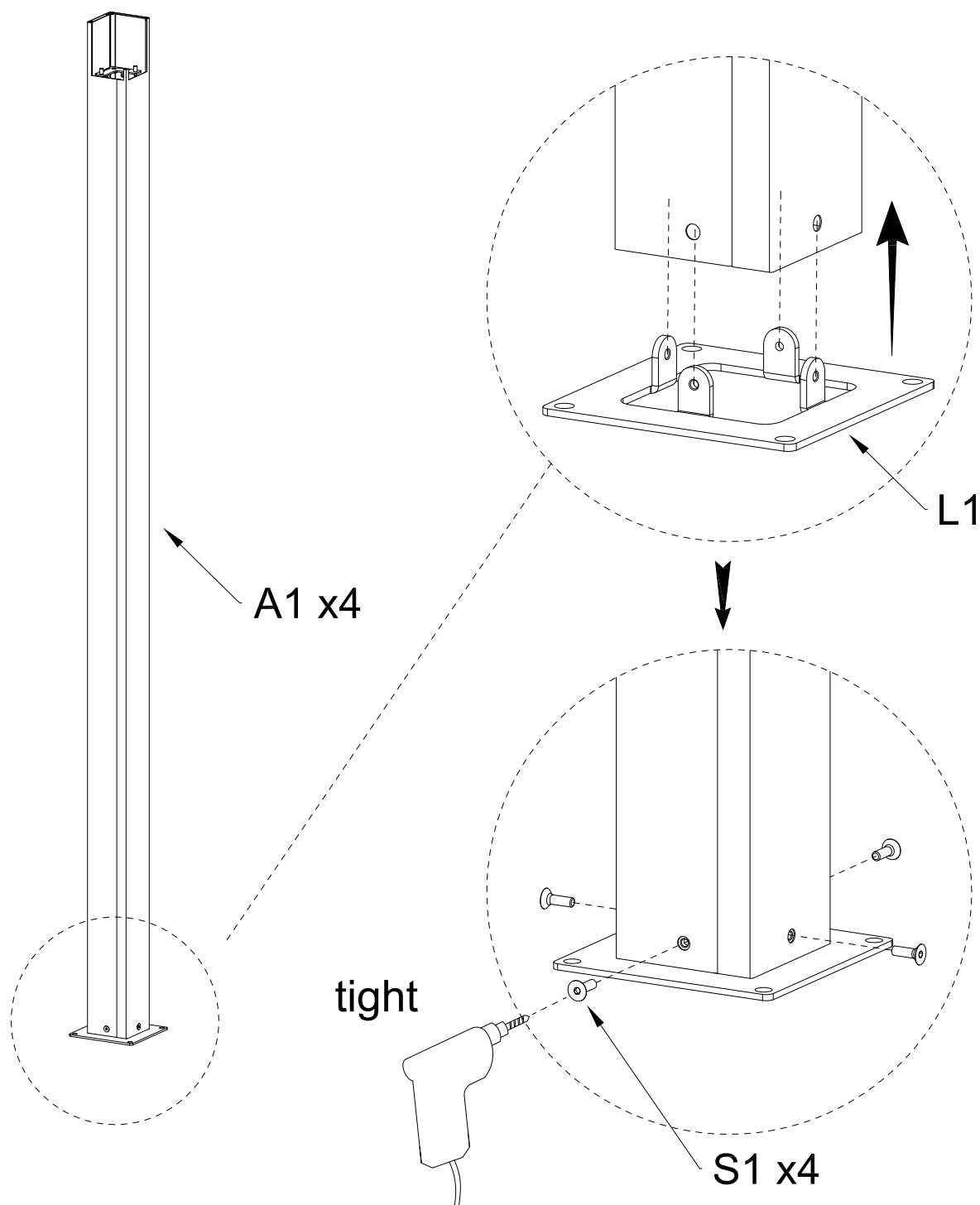
screwdriver or  
electric  
screwdriver


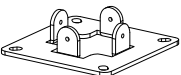
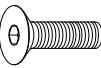


socket  
wrench

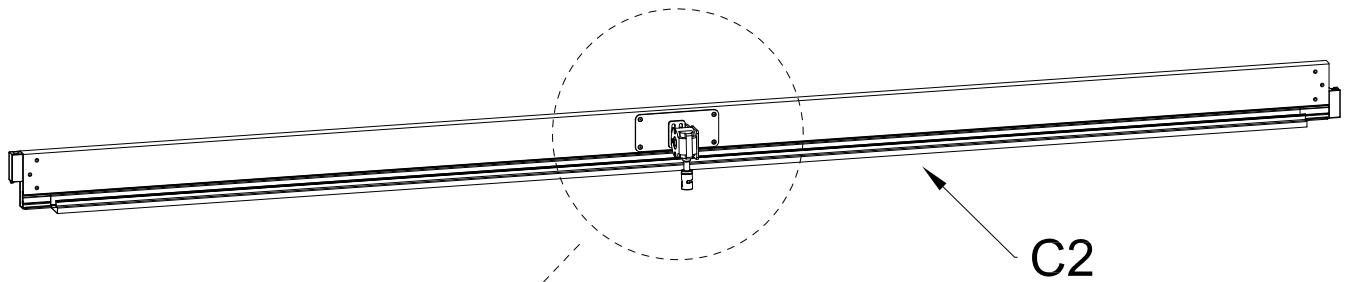
# Step-by-step Instructions for installation

# 1-a Assemble four corner pillars

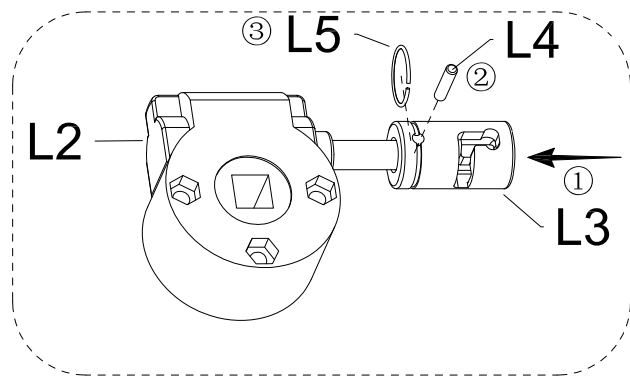


A1		QTY:4PCS
L1		QTY:4PCS
S1		QTY:16PCS M6*16

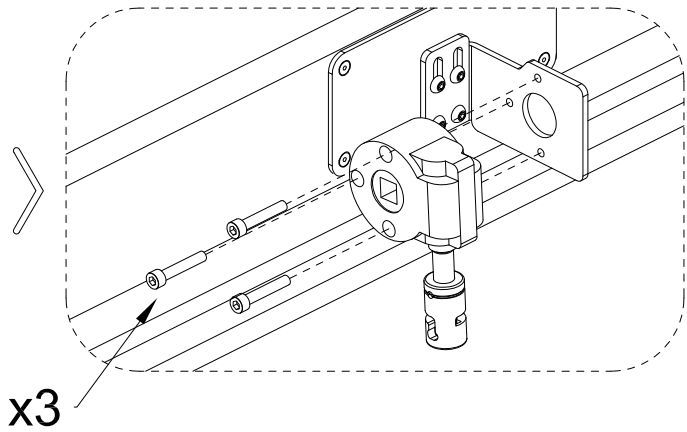
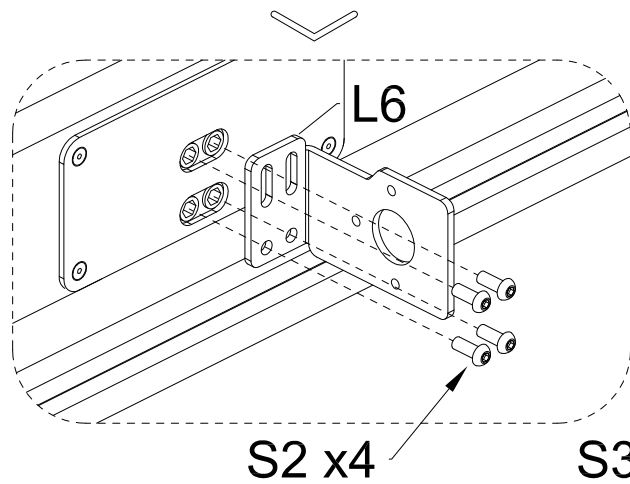
# 1-b Pre-installed gearbox bracket and gearbox



coil spring

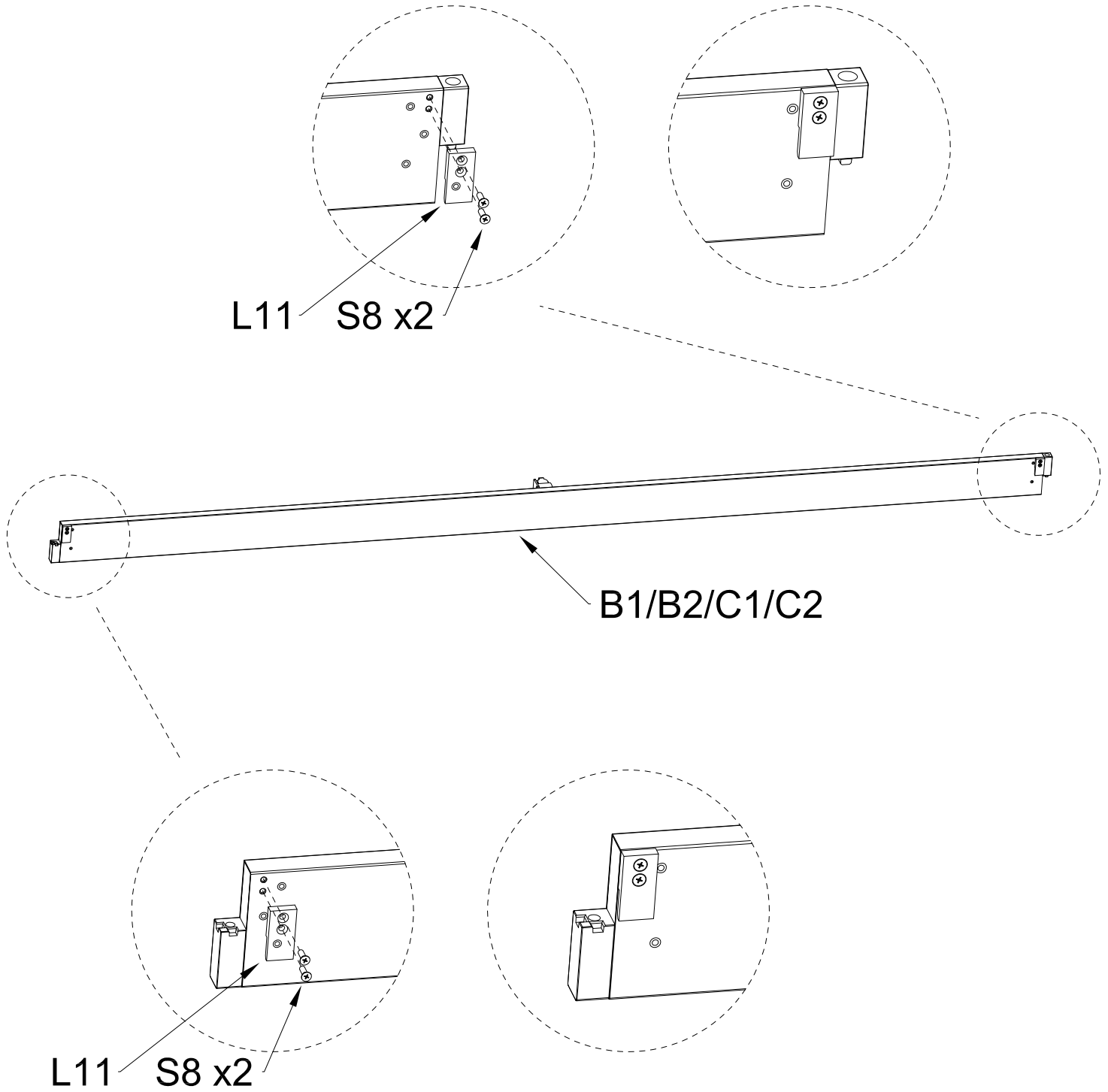



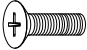
Attention: assemble the gearbox and hinge ring at first



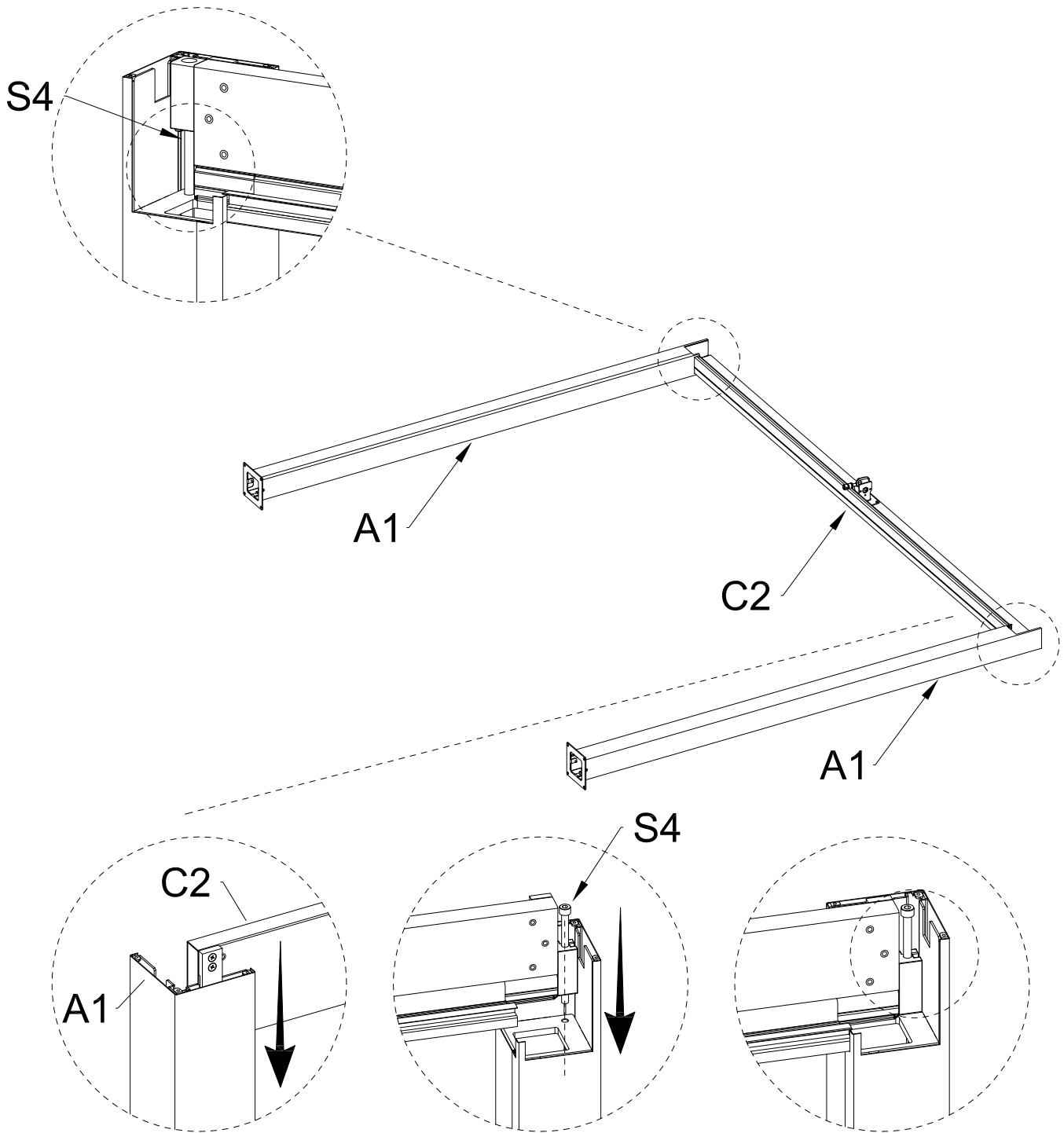
L2		QTY:1PC			
L3		QTY:1PC	L4		QTY:1PC
L5		QTY:1PC		$\phi 4*20$	
	$\phi 21.5*1$		L6		QTY:1PC
S2		QTY:4PCS	S3		QTY:3PCS
	M6*16			M6*35	

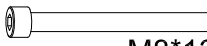
# 1-c Install the buckle on the side of the crossbeam



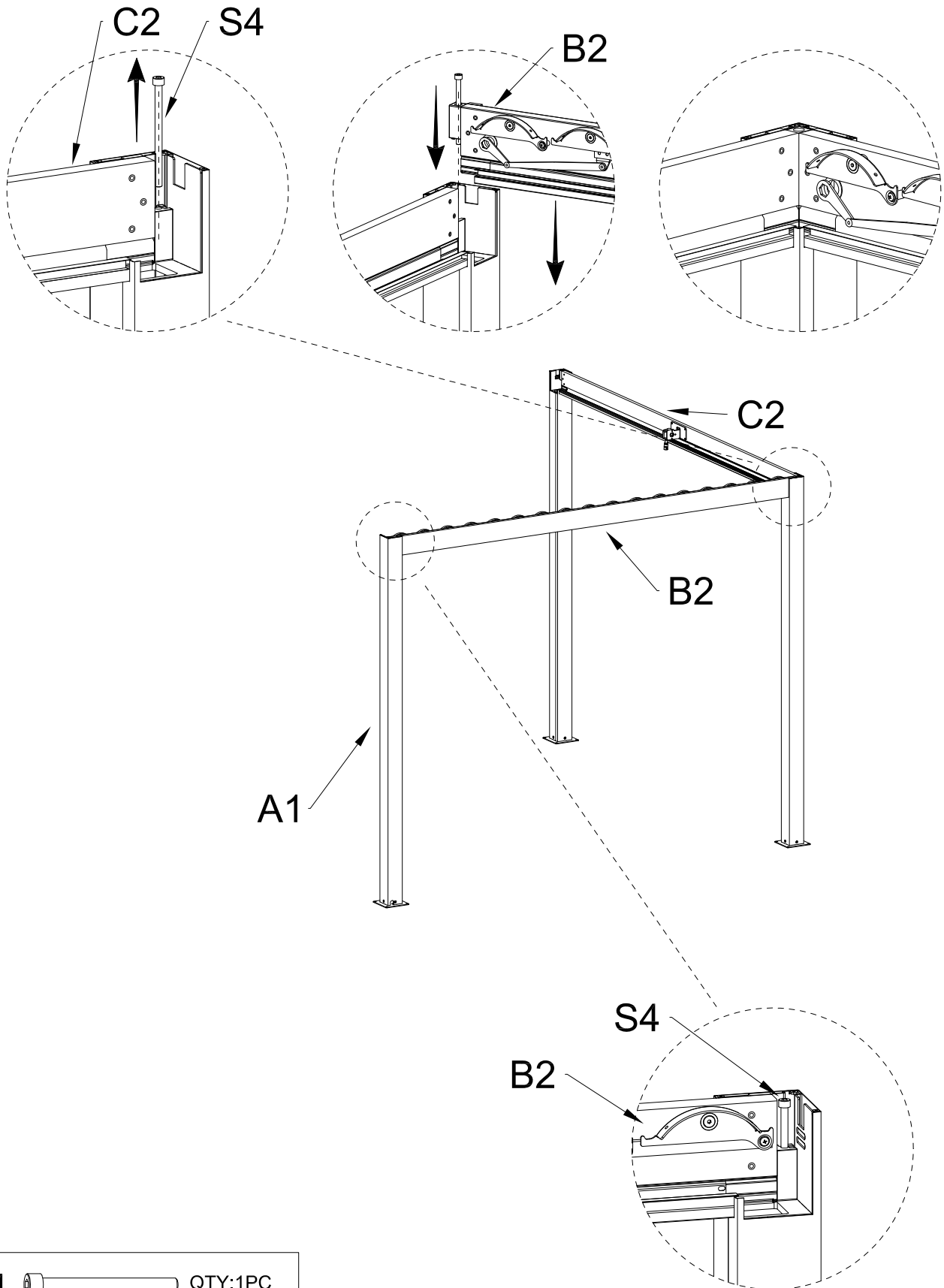
L11		QTY:8PCS	S8		QTY:16PCS
				M5*16	

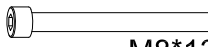
# 2-a Assemble crossbeam C2 and two columns A1



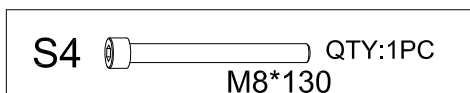
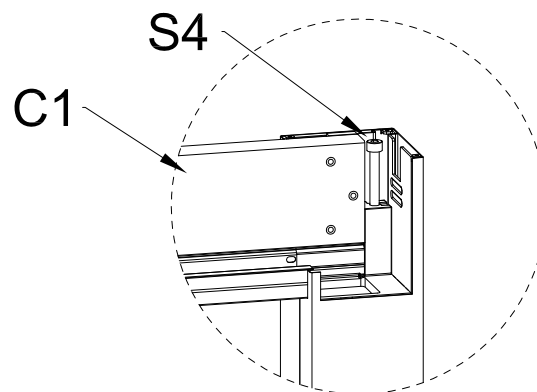
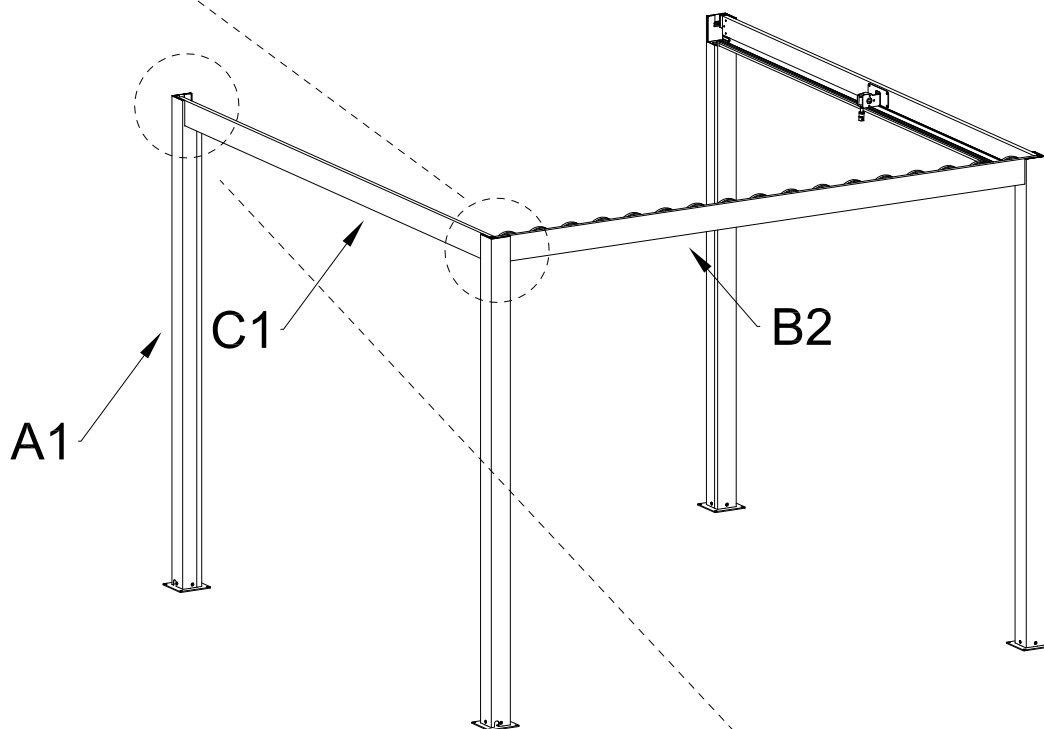
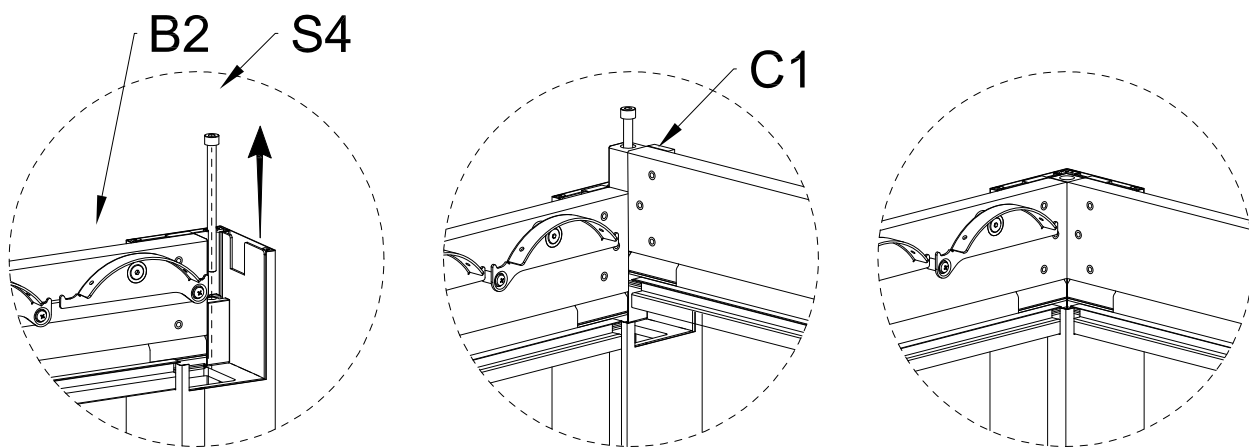
S4  QTY:2PCS  
M8\*130

## 2-b Install crossbeam B2 and column A1

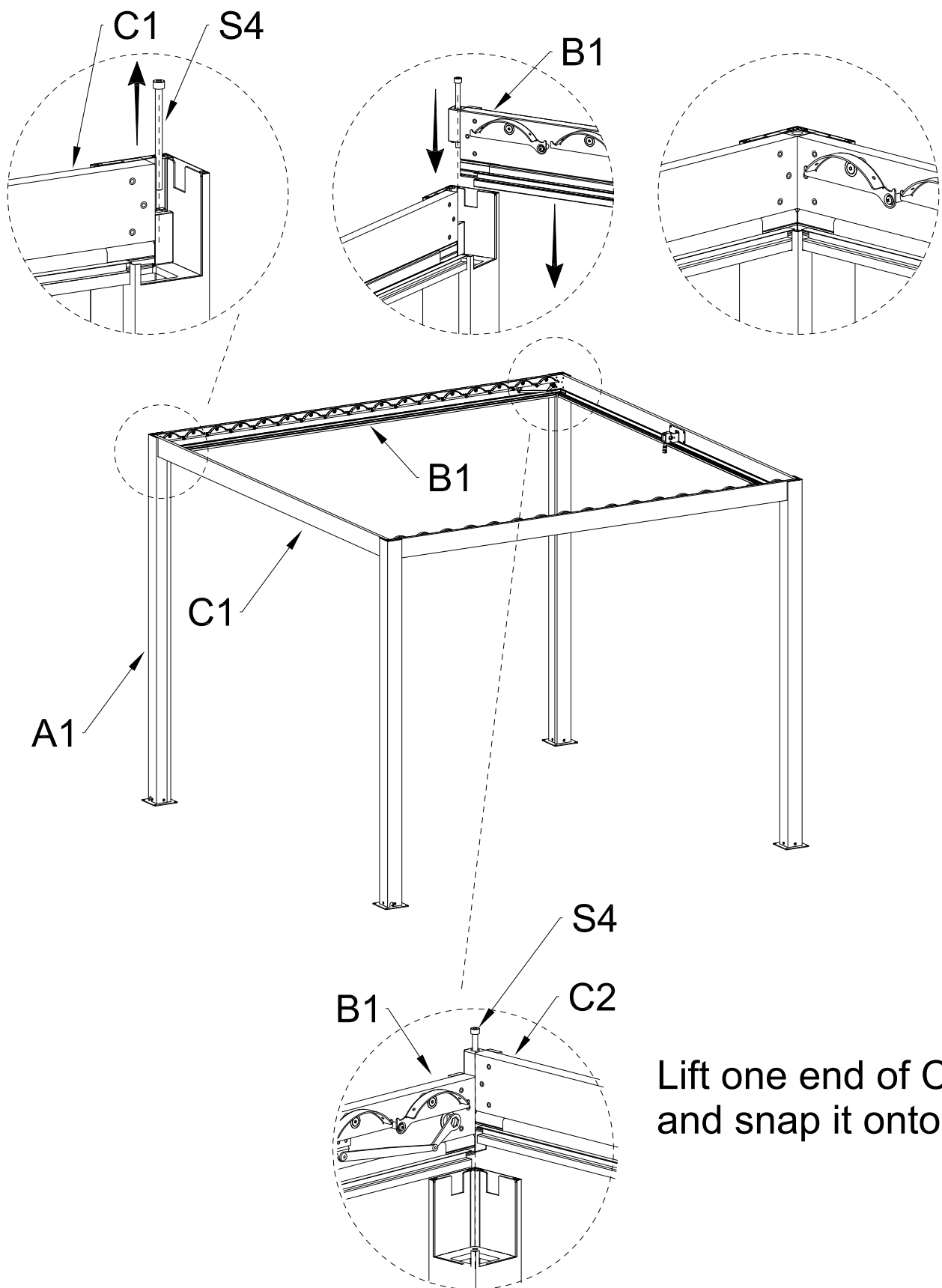


S4  QTY:1PC  
M8\*130

## 2-c Install crossbeam C1 and column A1

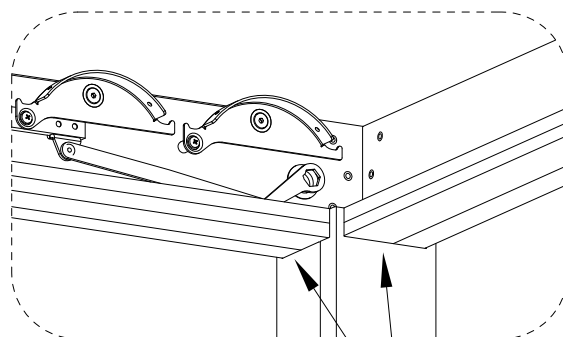
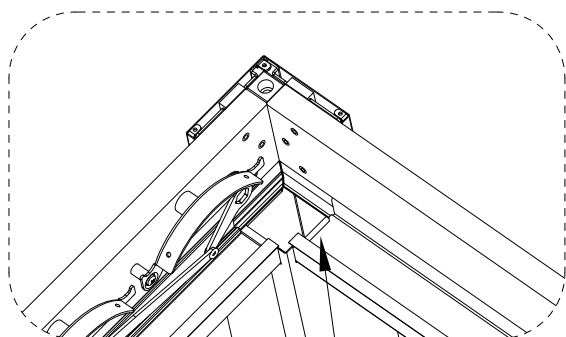


## 2-d Install crossbeam B1 and tight all S4



Lift one end of C2  
and snap it onto B1

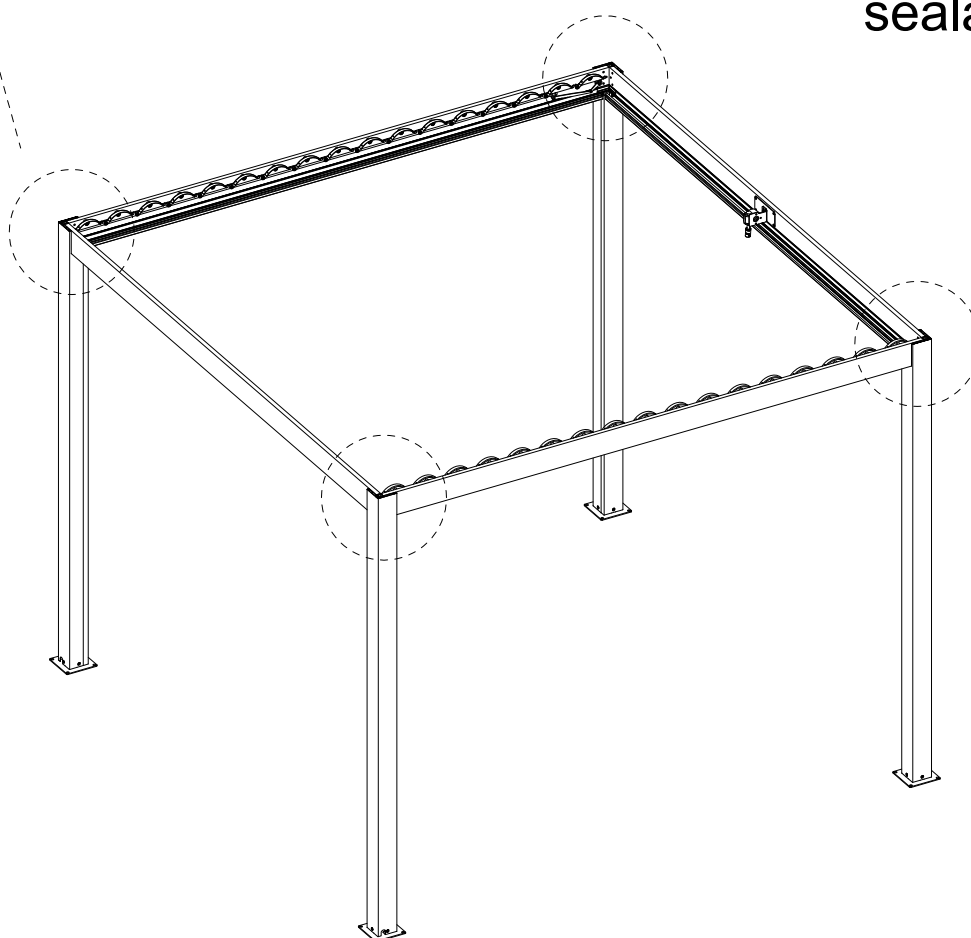
## 2-e Use waterproof sealant at the connection of the crossbeam



Use waterproof sealant



Use waterproof sealant

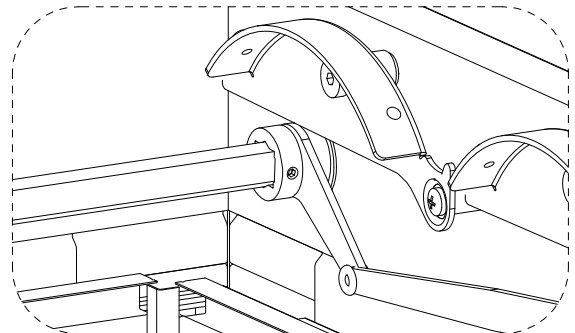
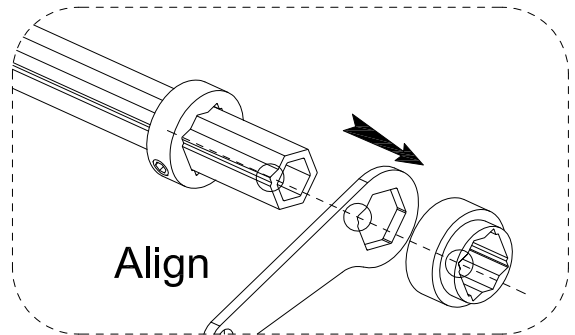
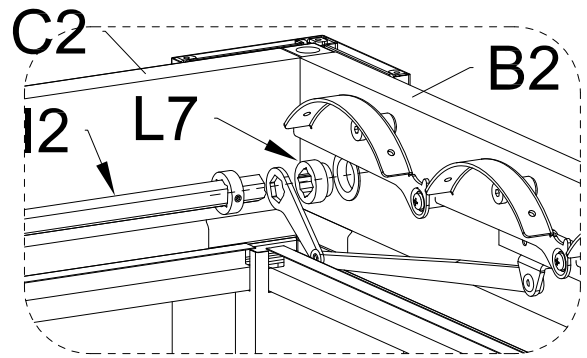
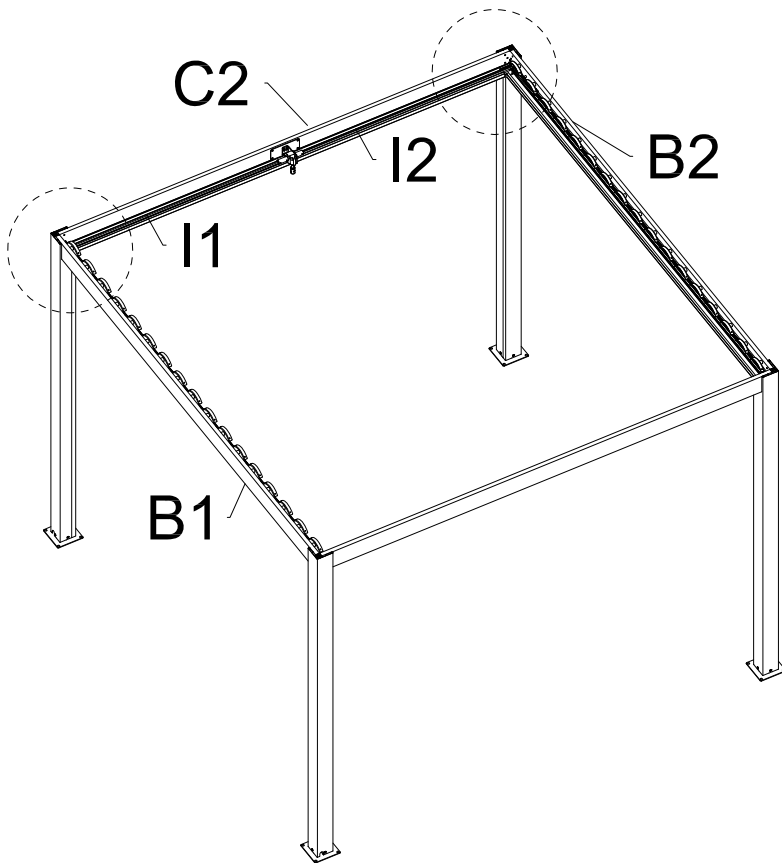


K






QTY:1PC

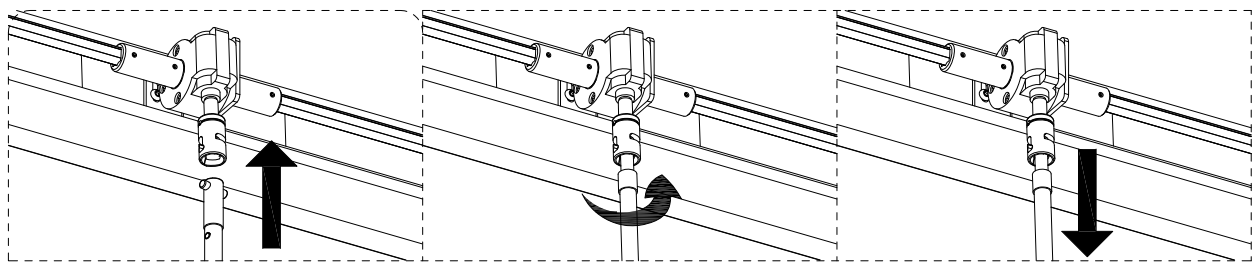
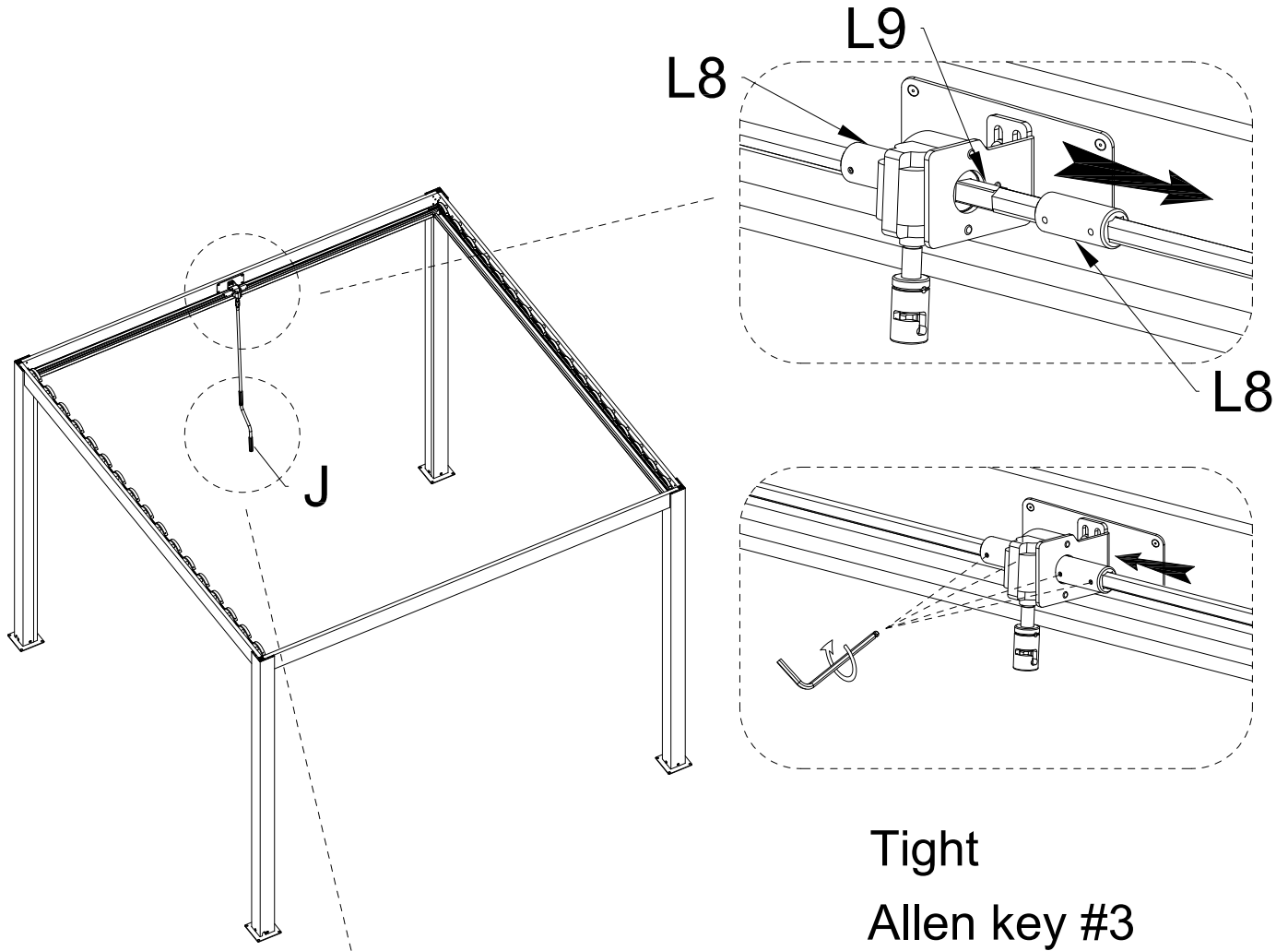
### 3-a Install the left and right ends of hexagonal rotating rods I1 and I2



Attention: The diagram shows the installation method of the right transmission rod, left is the same as right

I1		QTY:1PC		
I2		QTY:1PC	L7	 QTY:2PCS


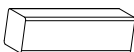

### 3-b connect the transmission rod to the gearbox



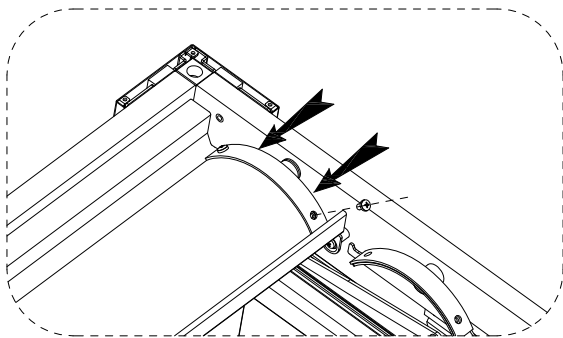
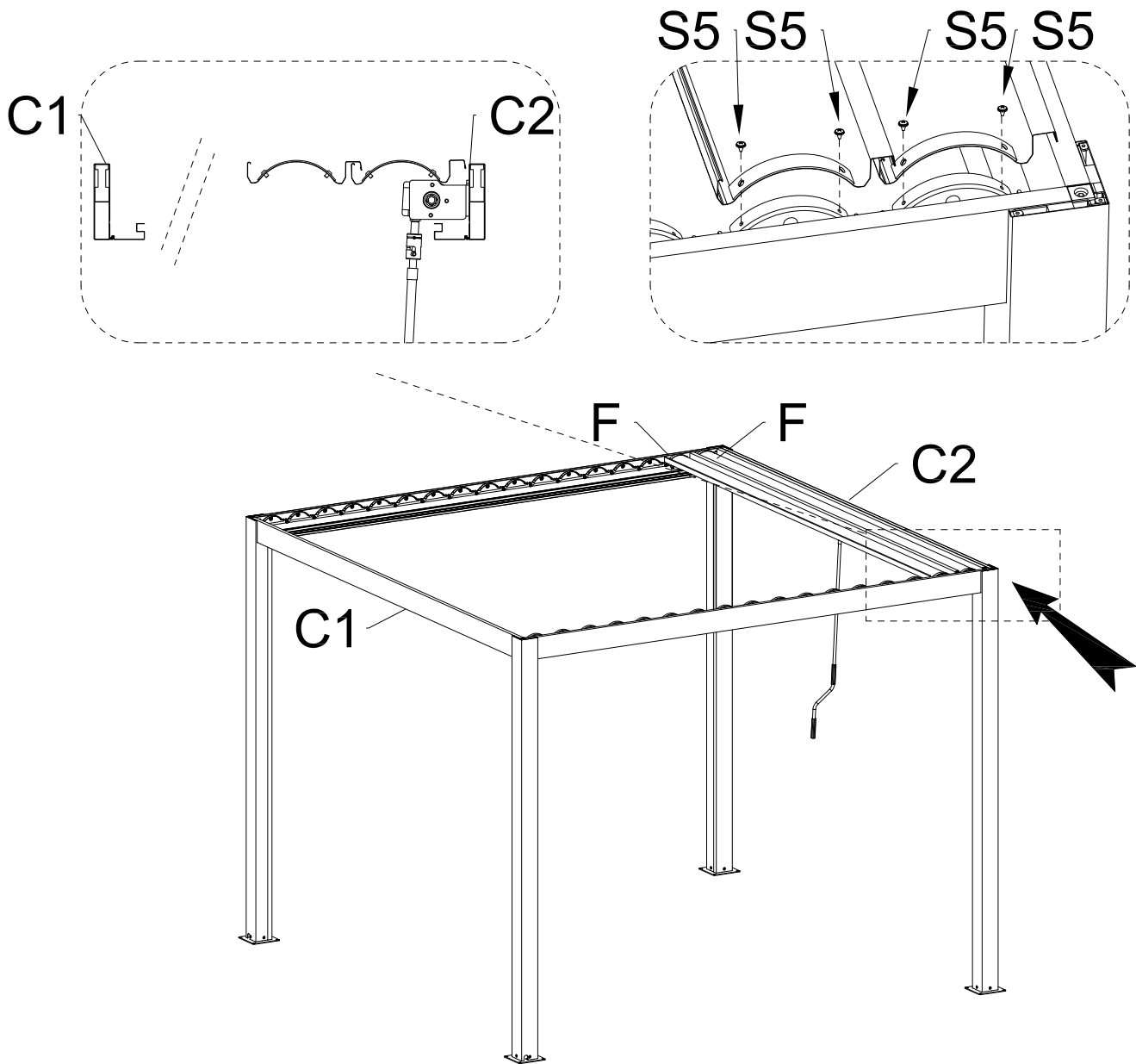
Push upwards

rotate

Pull down

L8		QTY:2PCS	L9		QTY:1PC
J					QTY:1PC

## 4. Install and fix the louvers



If one end of the louver is fixed and the installation hole on the other end is offset, please apply force in the direction of the arrow to align the installation holes

S5



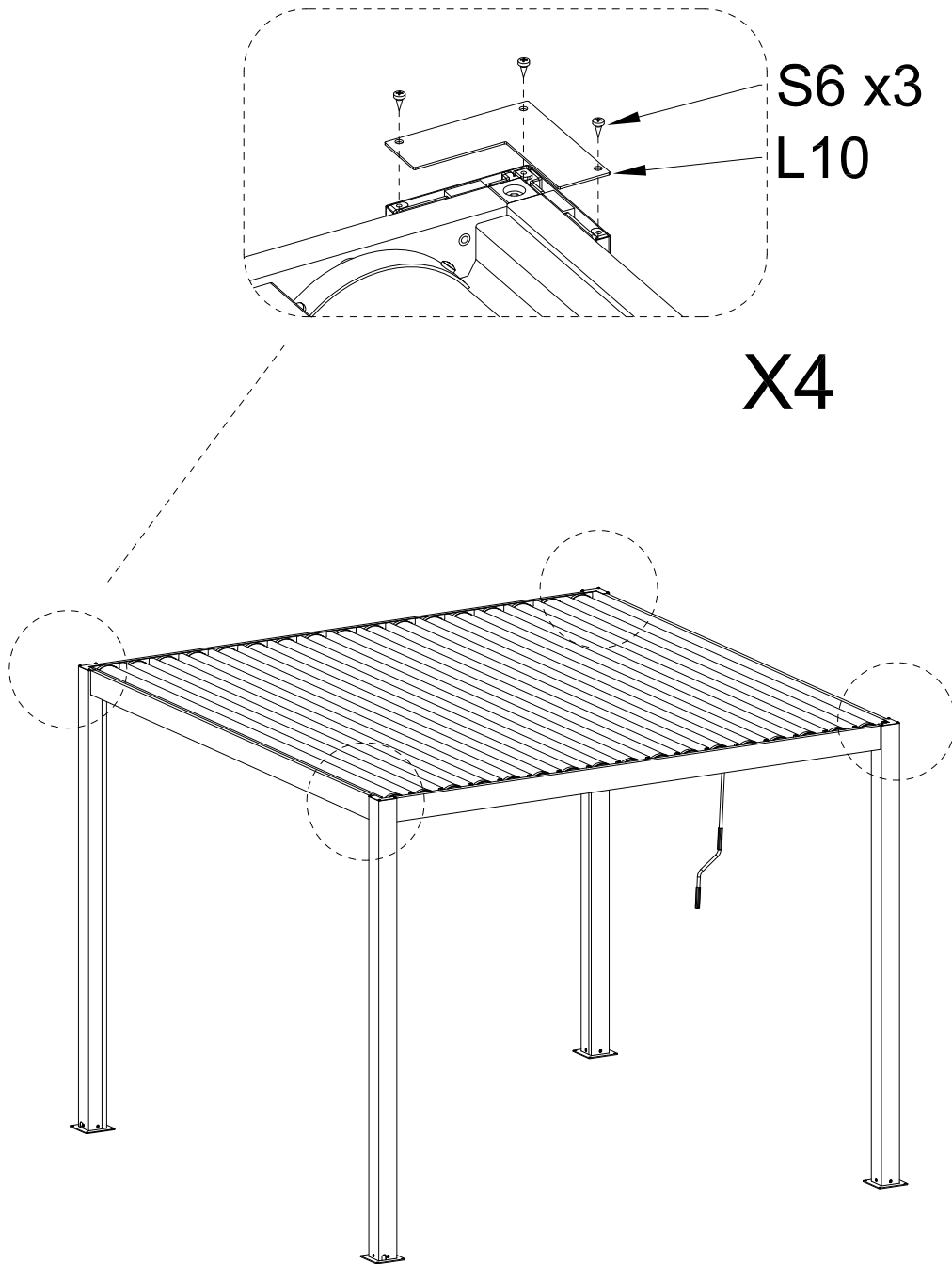
QTY:68/92PCS  
M5\*8



F



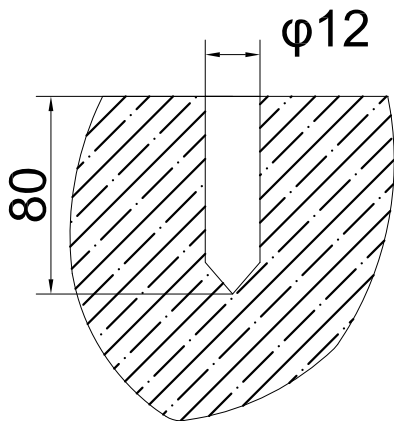
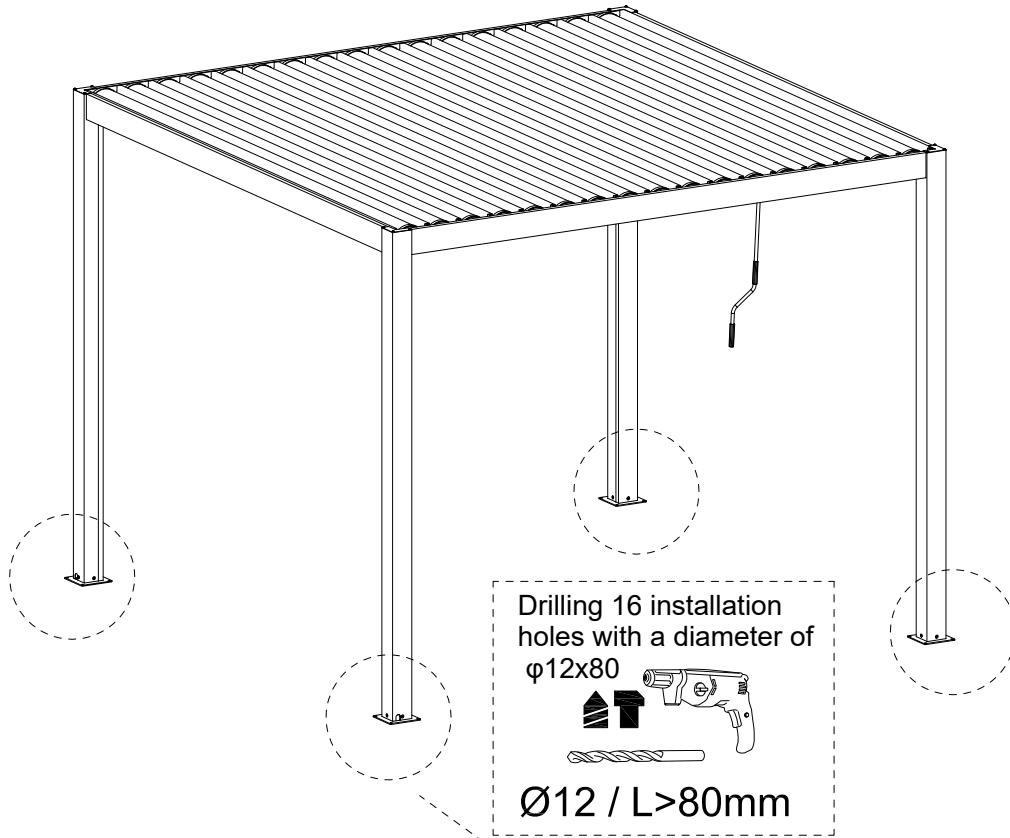
QTY:17/23PCS

## 5. Install the four corner column covers



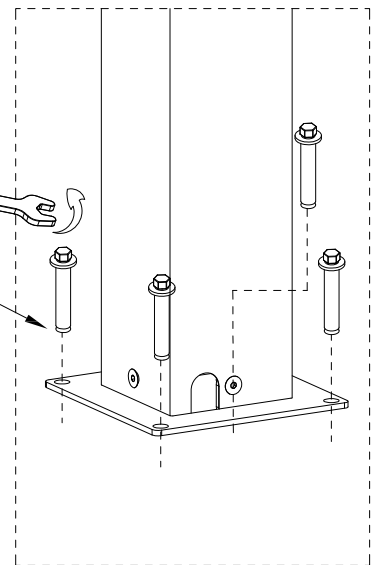
L10		QTY:4PCS	S6		M4*16	QTY:12PCS
-----	---	----------	----	---	-------	-----------

## 6. Fix the column



tight

S7



x4

S7



M8\*70

QTY:16PCS

## Contact information

Austria



Belgium



Croatia



Denmark



Estonia



Finland



France



Germany



Ireland



Italy



Latvia



Lithuania



Nederland



Norway



Poland



Portugal



Spain



Sweden



Switzerland



UK

