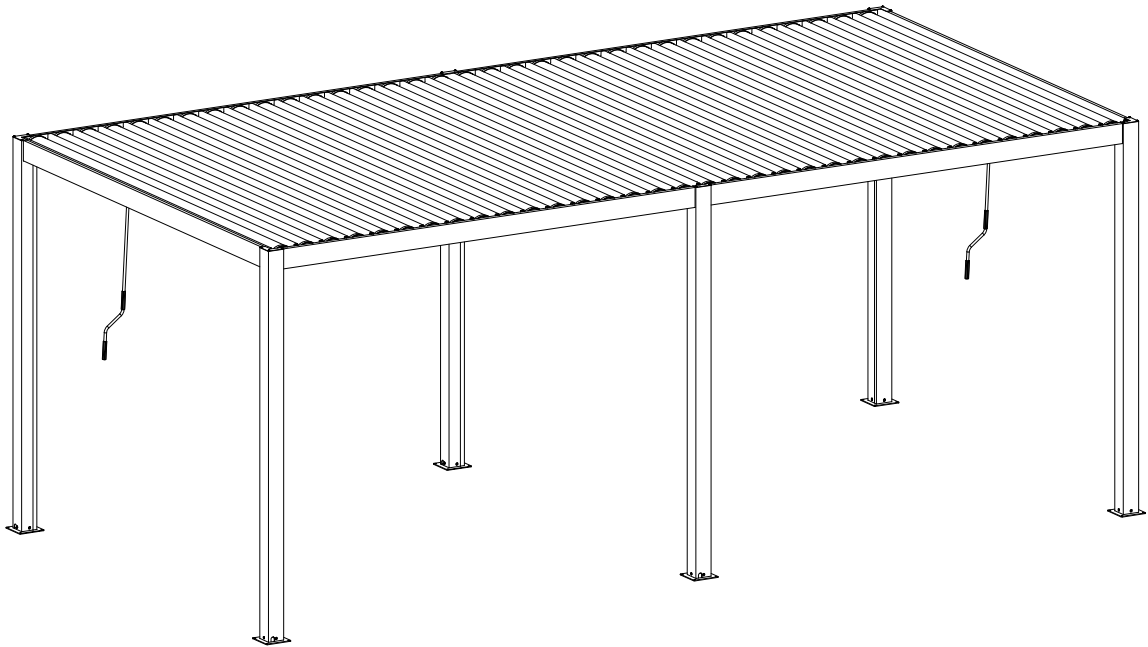


**DANCOVER<sup>®</sup>**

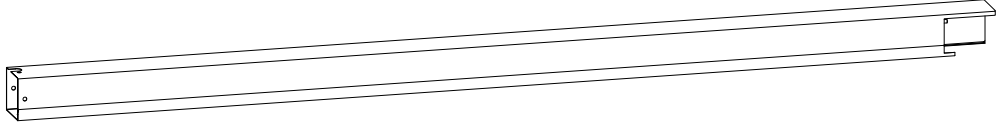
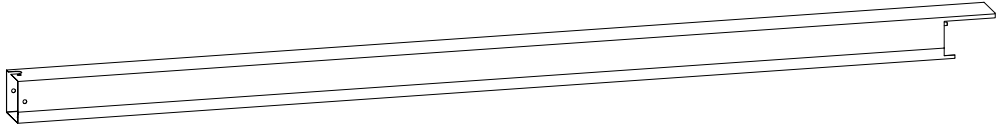
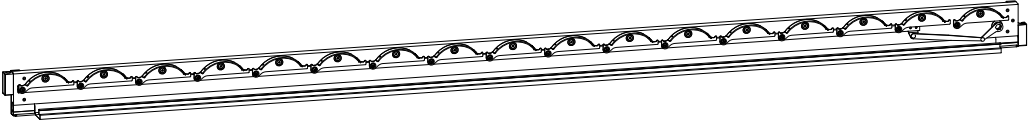
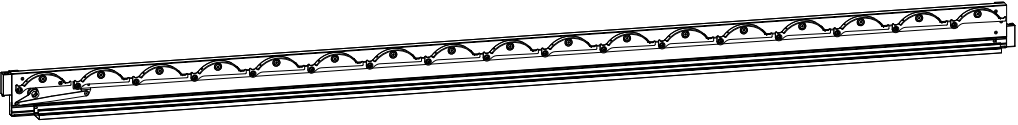
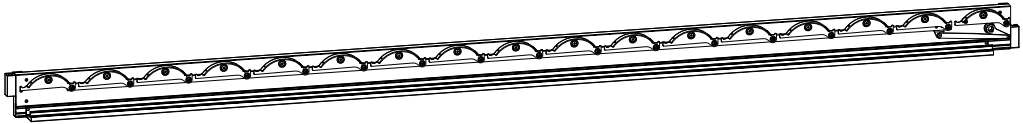
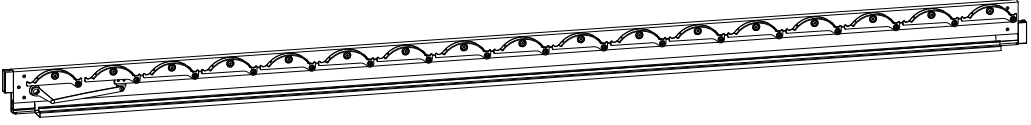
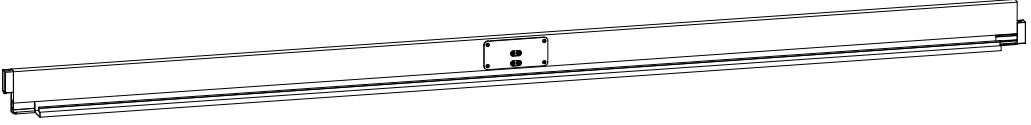
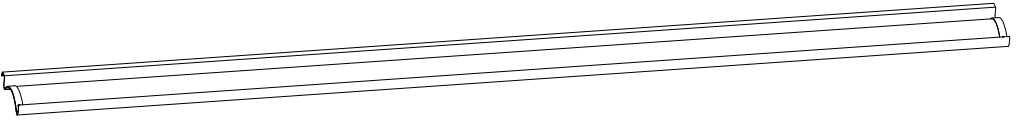


Manual  
for  
Pergola Gazebo San Pablo Steel+  
3x5,8m, 4x5,8m and 4x7,8m




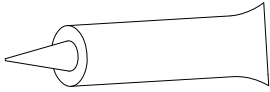
# Manual Instruction



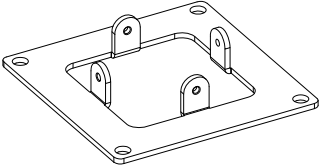
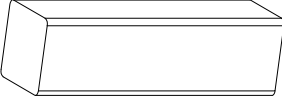
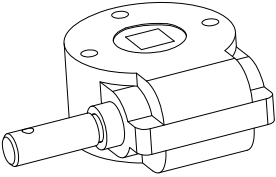
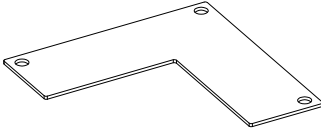
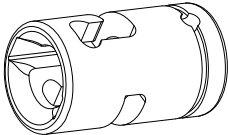
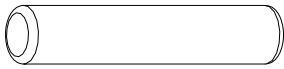
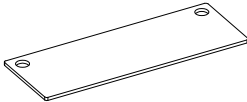
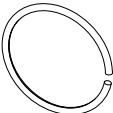
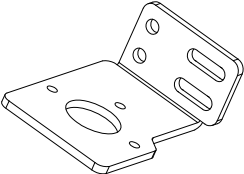
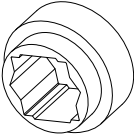
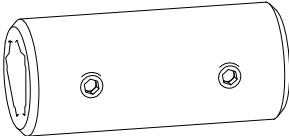
# Parts list table

REF	PHOTO	QTY
A1		4
A3		2
B1		1
B2		1
B2		1
B4		1
C2		2
F		3*5.8=34 3*7.8=34 4*5.8=46 4*7.8=46

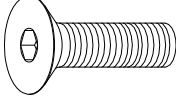
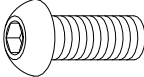
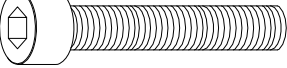
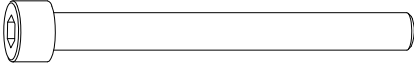
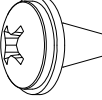
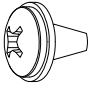
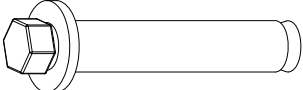
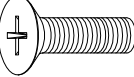
# Parts list table

REF	PHOTO	QTY
I1		2
I2		2
J		2
K		1

# Parts list table

REF	PHOTO	QTY	REF	PHOTO	QTY
L1		6	L9		2
L2		2	L10		4
L3		2	L11		12
L4	 φ4*20	2	L12		2
L5	 φ21.5*1	2			
L6		2			
L7		4			
L8		4			

# Parts list table

REF	PHOTO	QTY	REF	PHOTO	QTY
S1	 <p>M6*16</p>	24			
S2	 <p>M6*16</p>	8			
S3	 <p>M6*35</p>	6			
S4	 <p>M8*130</p>	6			
S5	 <p>M5*8</p>	$3 \times 5.8 = 136$ $3 \times 7.8 = 136$ $4 \times 5.8 = 184$ $4 \times 7.8 = 184$			
S6	 <p>M4*6</p>	16			
S7	 <p>M8*70</p>	24			
S8	 <p>M5*16</p>	24			

# Kind Reminder

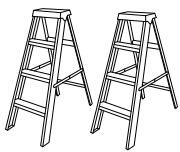
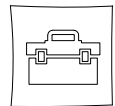
## General Guidelines

- Please keep this manual for future use after you install the pergola;
- Please read the following instruction carefully before assembly;
- This manual may not include every details and considerable steps;
- Please contact us when you need further information or any help

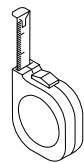
## Kind Notes

- Please do not allow snow to accumulate on the louver roof. If moderate or heavy snow is expected to coming, do open the louvers, also does it in the conditions of high winds or other extreme weather conditions.

## What you may need?



Ladder x2



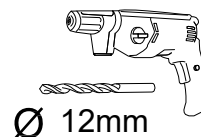
Tapeline



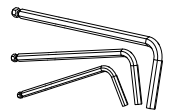
Mallet



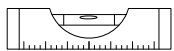
Glove



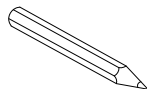
Ø 12mm  
electric screw  
driver



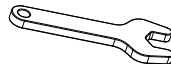
Allen key



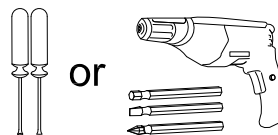
Level



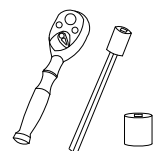
Marker  
Pen



Adjustable  
wrench



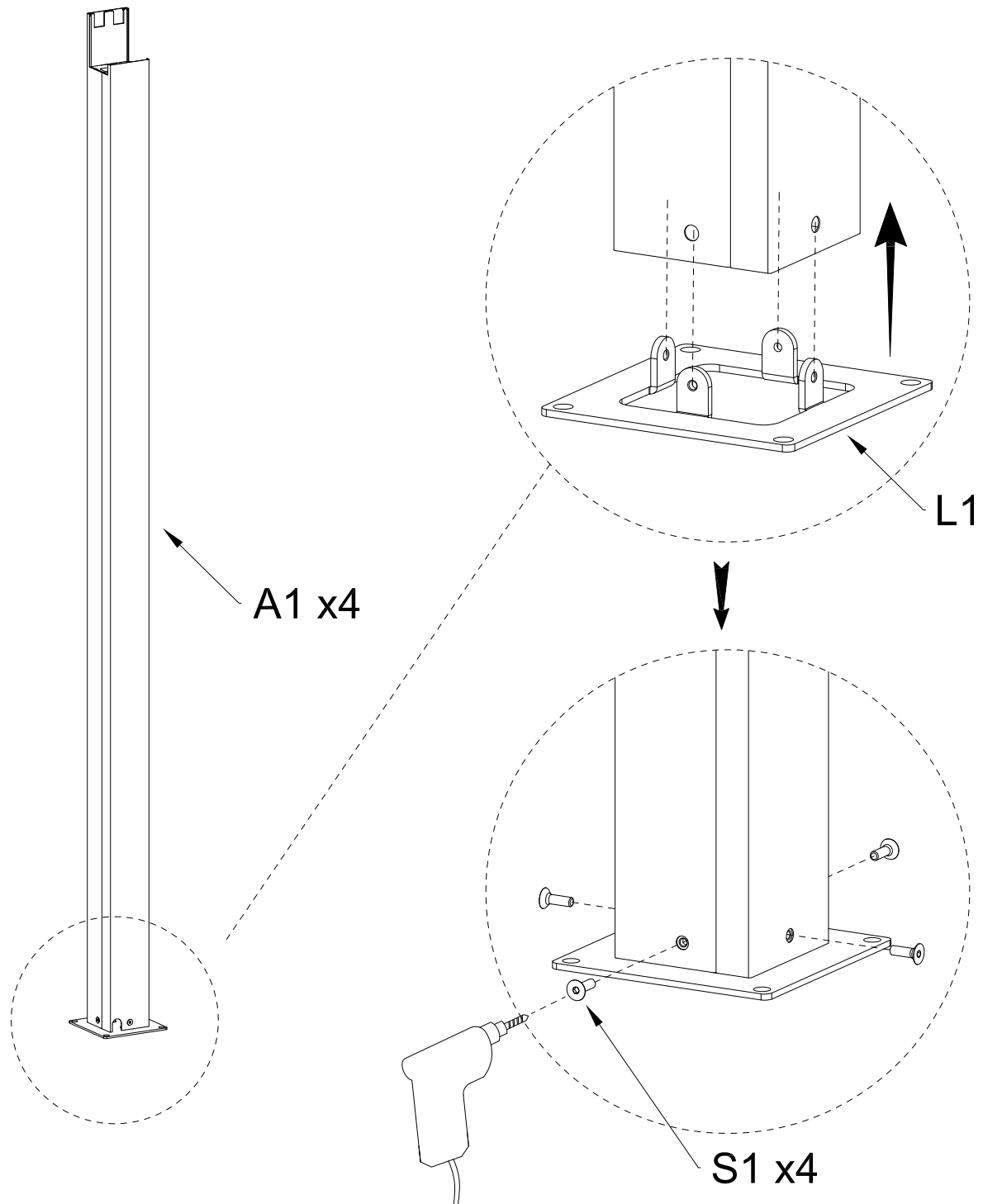
or  
screwdriver or  
electric  
screwdriver


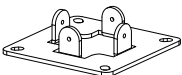
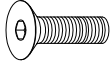


socket  
wrench

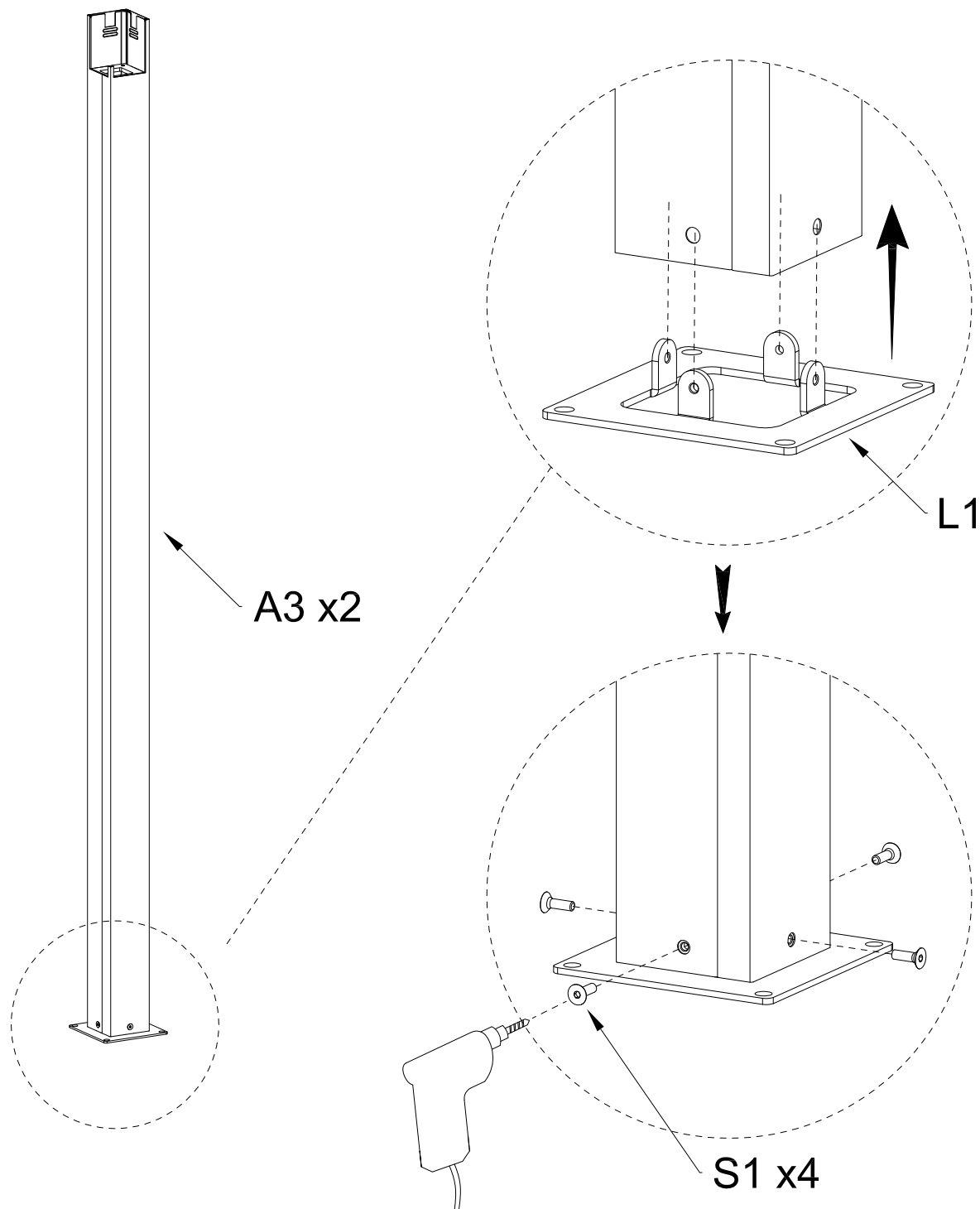
# Step-by-step Instructions for installation


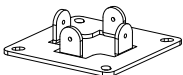
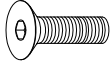
# 1-a. Installation angle column base plate



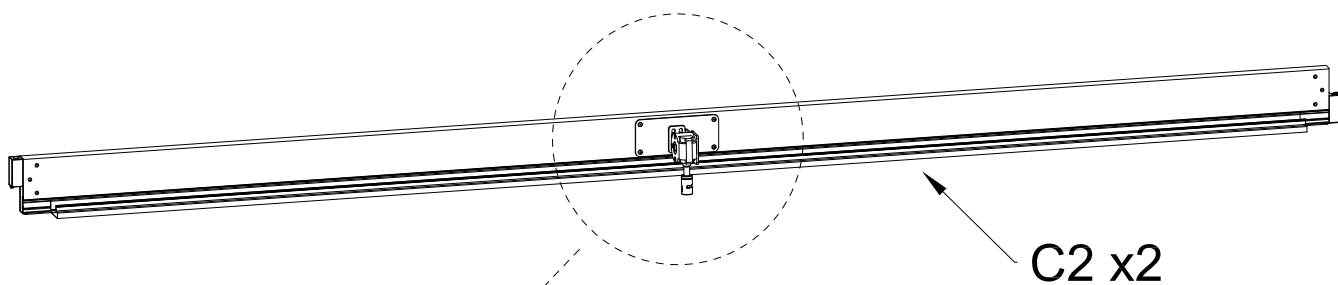
<b>A1</b>		<b>x4</b>
<b>L1</b>		<b>x4</b>
<b>S1</b>		<b>x16</b> <b>M6*16</b>

# 1-b. Install the base plate of the middle column

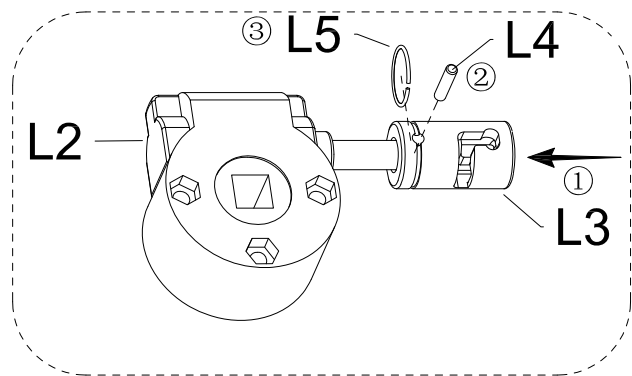


<b>A3</b>				<b>x2</b>	
<b>L1</b>		<b>x2</b>	<b>S1</b>		<b>x8</b>
				<b>M6*16</b>	

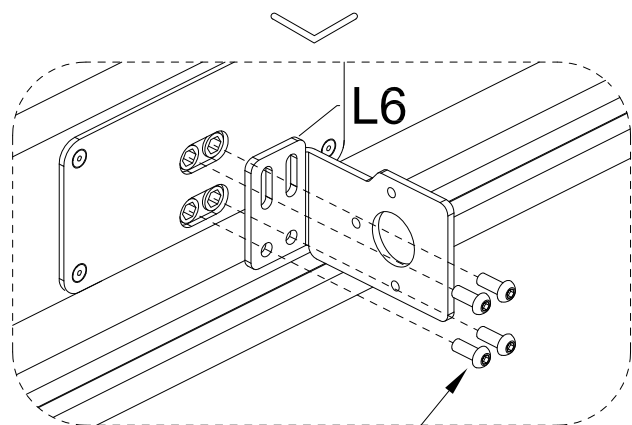
# 1-c. Pre-install the gearbox bracket and gearbox



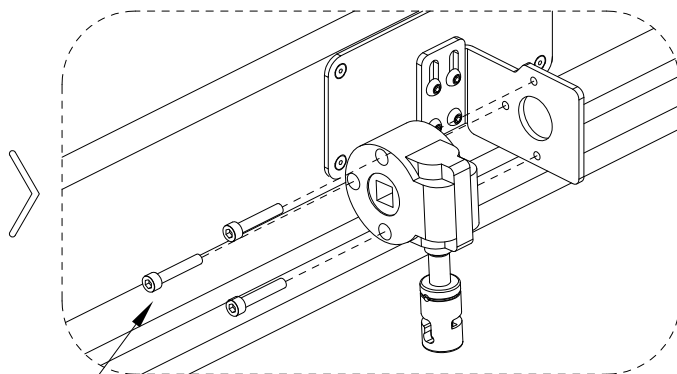
spring ring




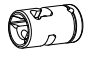


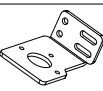


Note: Assemble the gearbox and the hinge ring first



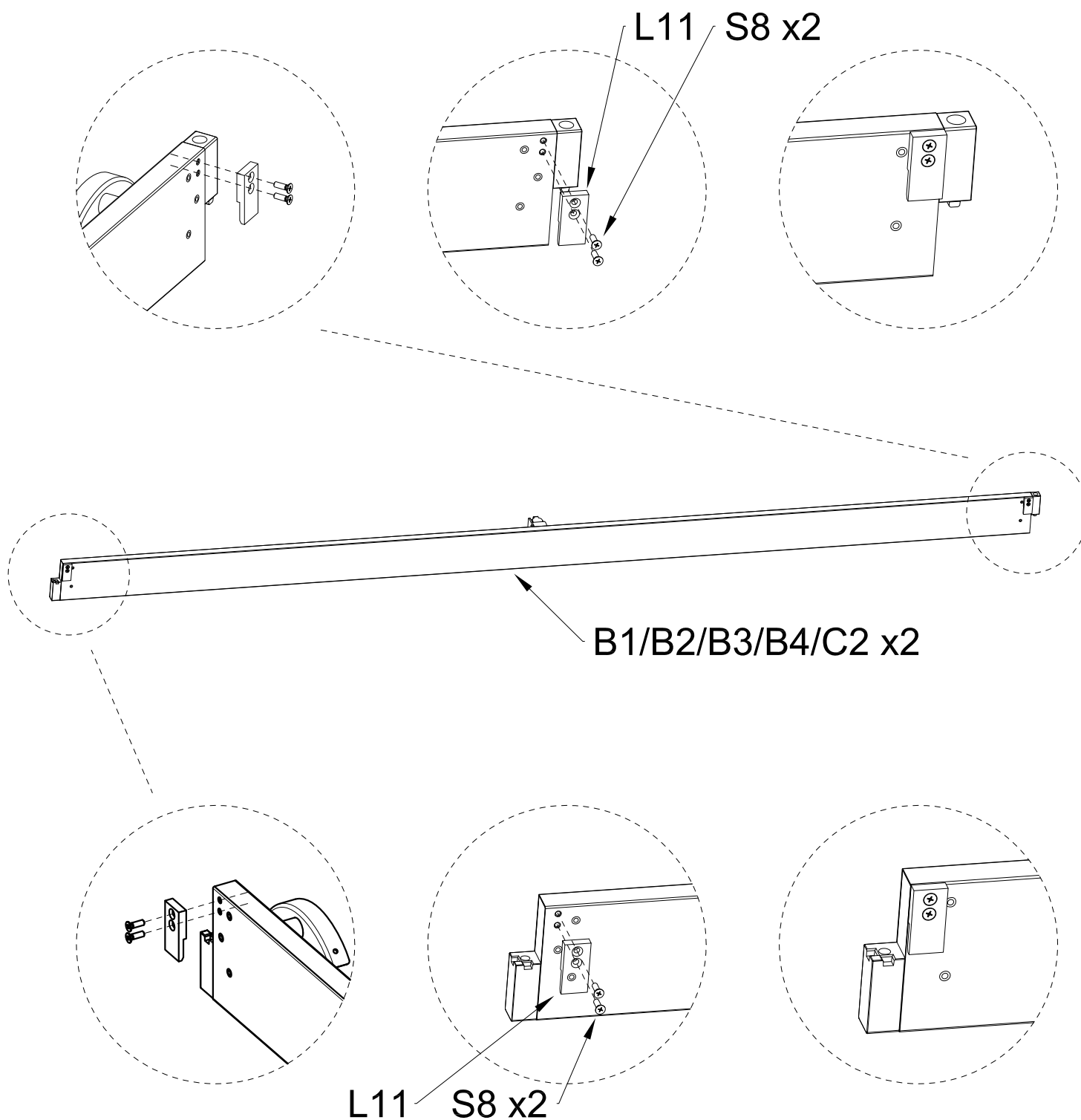
S2 x4


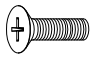


S3 x3

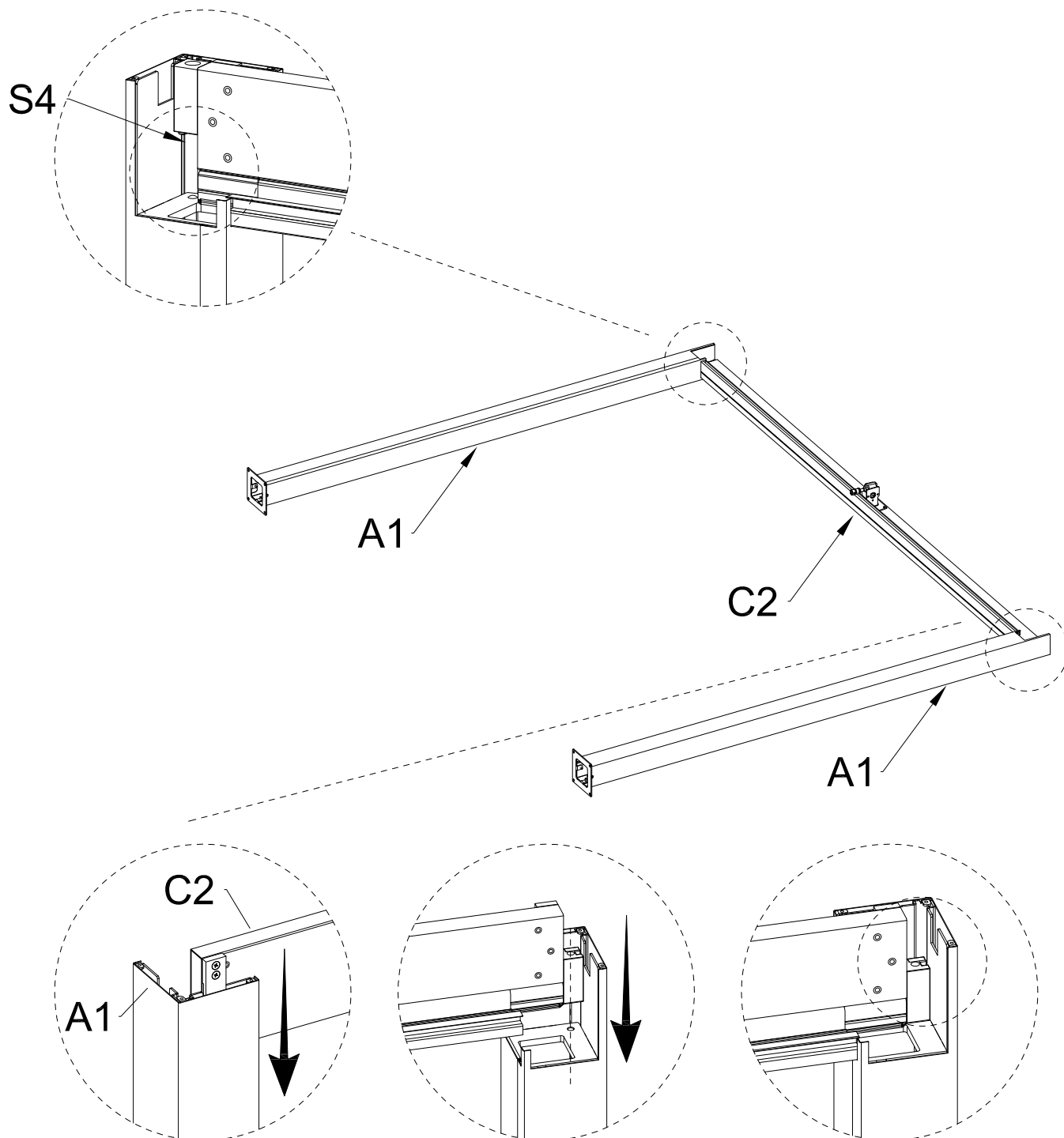
L2		x2			
L3		x2	L4		x2
L5		x2		$\phi 4 \times 20$	
		$\phi 21.5 \times 1$	L6		x2
S2		x4	S3		x6
	M6*16			M6*35	

# 1-d. Install the buckle on the side of the crossbeam

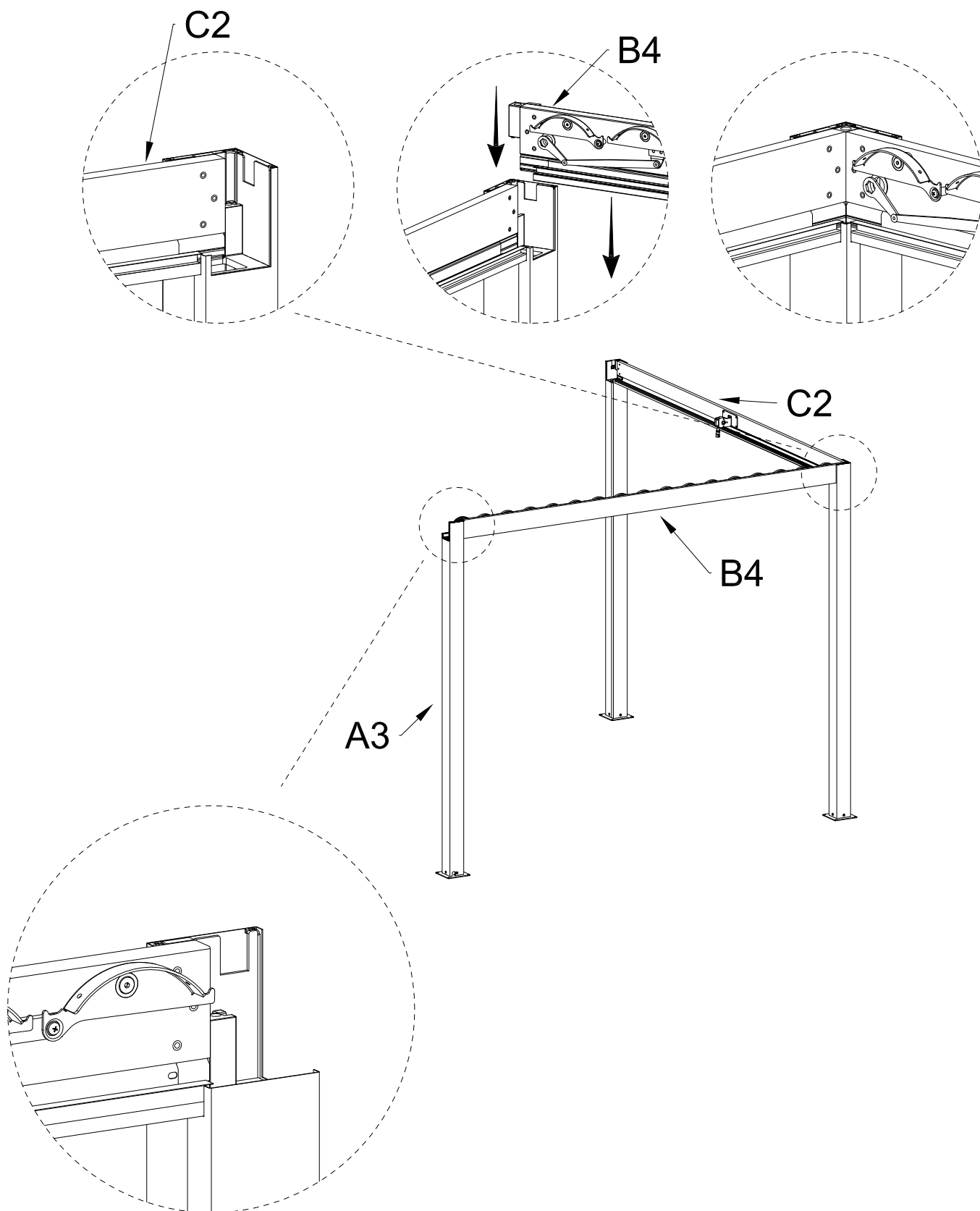


L11		x12	S8		x24
				M5*16	

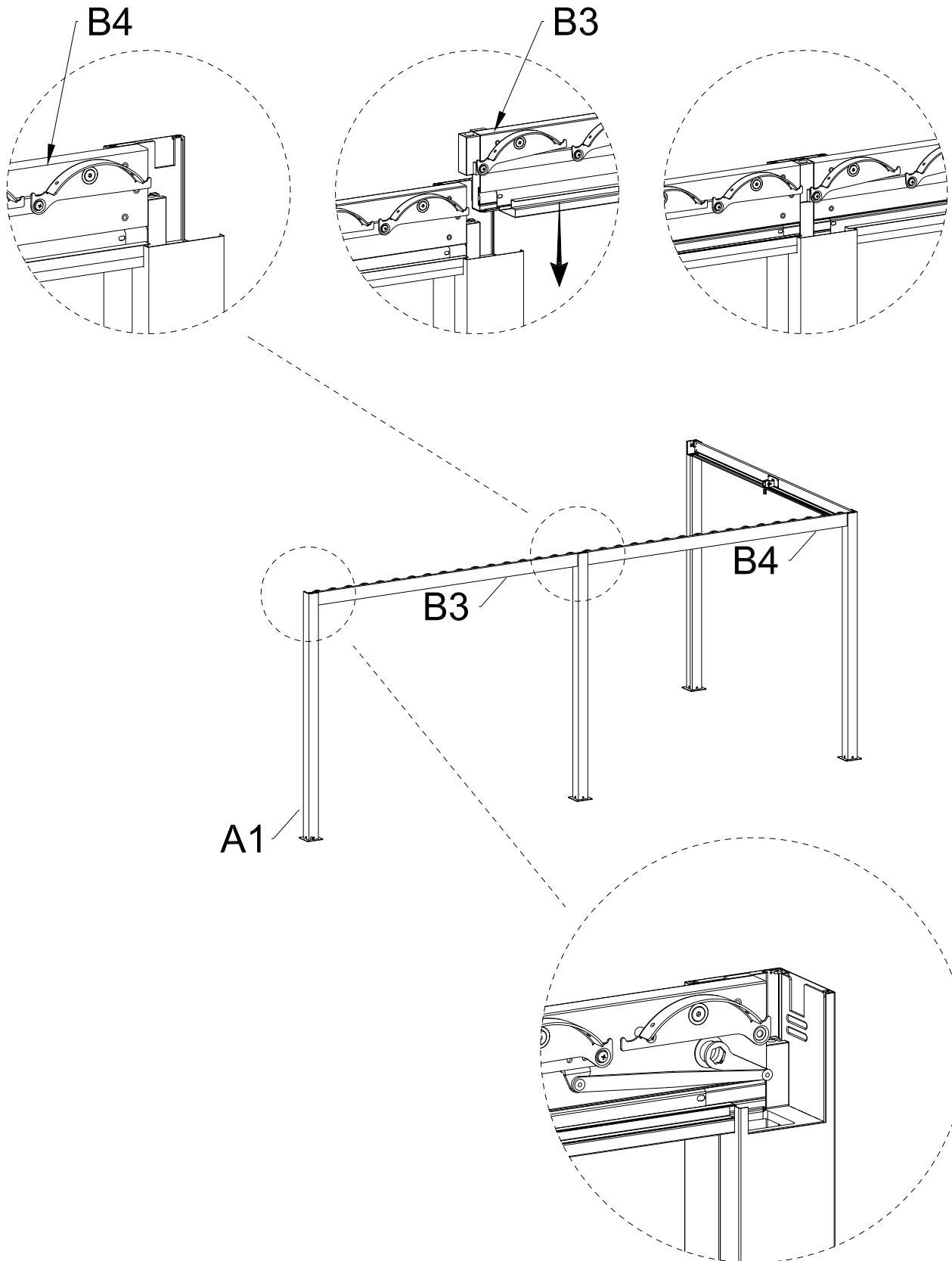
## 2-a. Assemble the crossbeam C2 with two columns A1



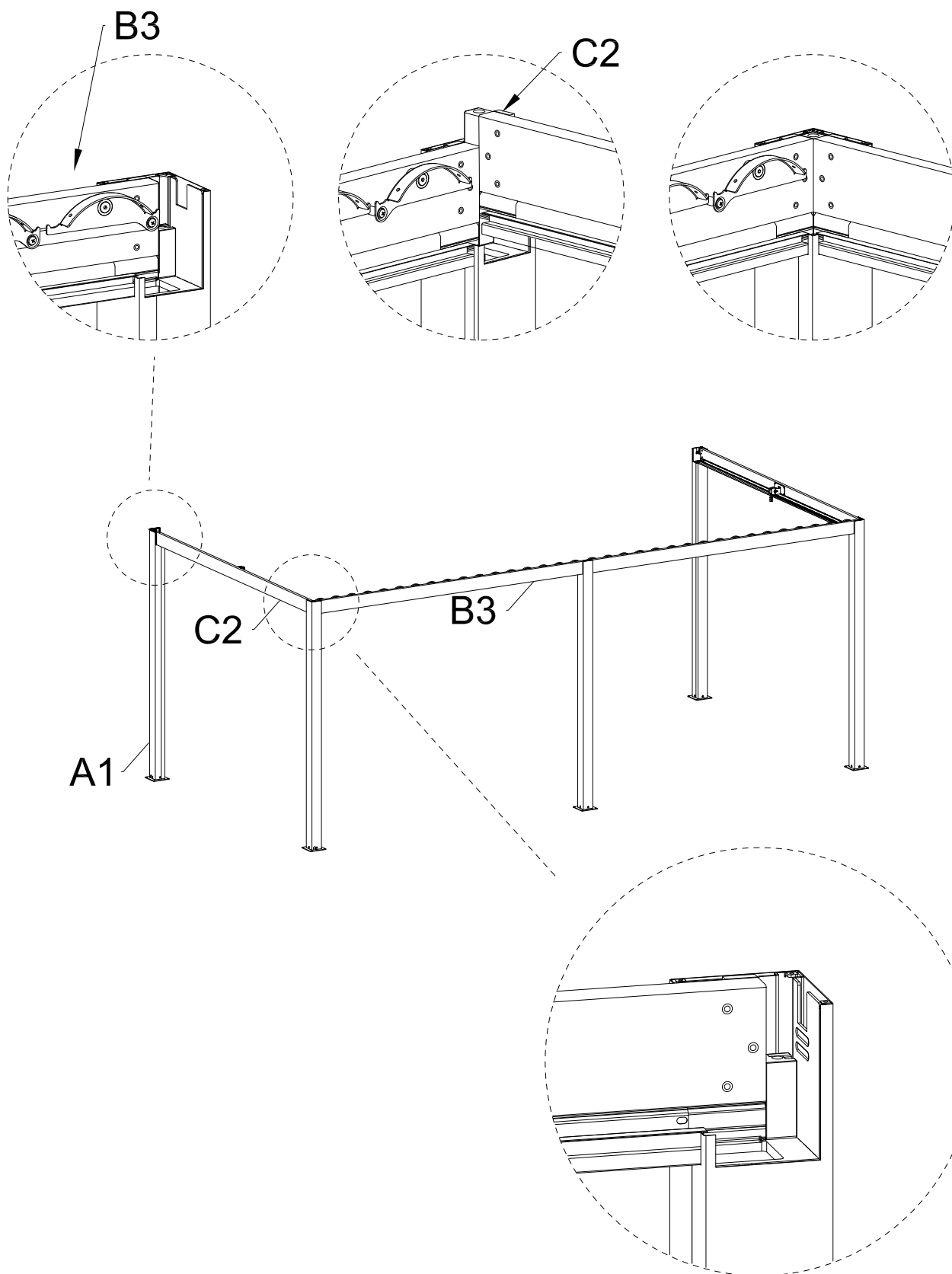
## 2-b. Install crossbeam B4 and column A3



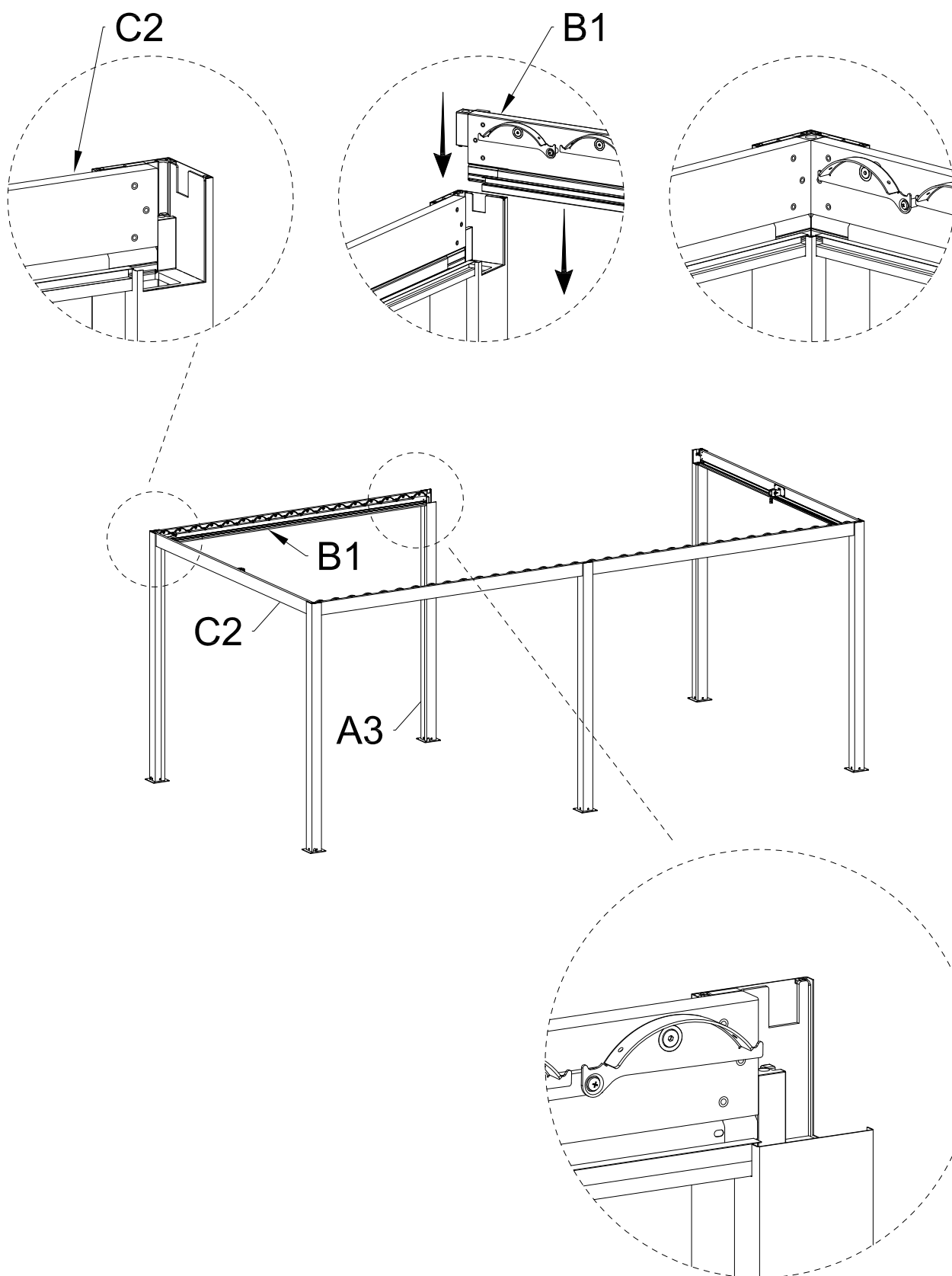
## 2-c. Install crossbeam B3 and column A1



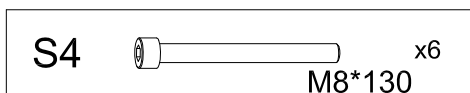
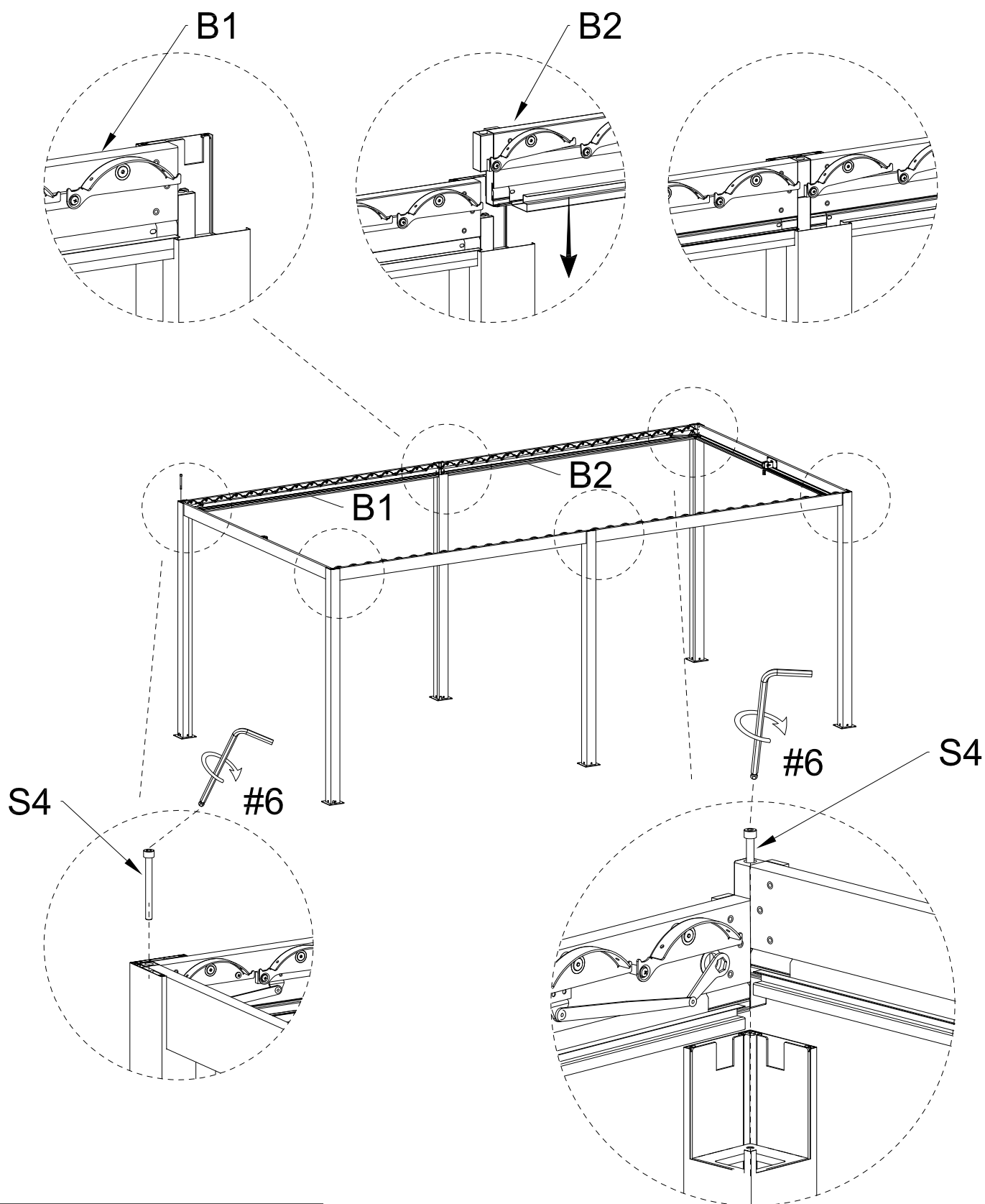
## 2-d. Install crossbeam C2 and column A1



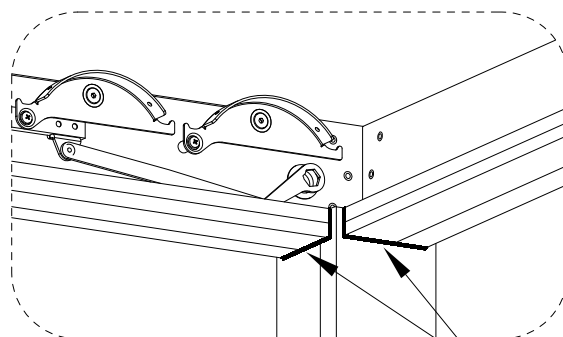
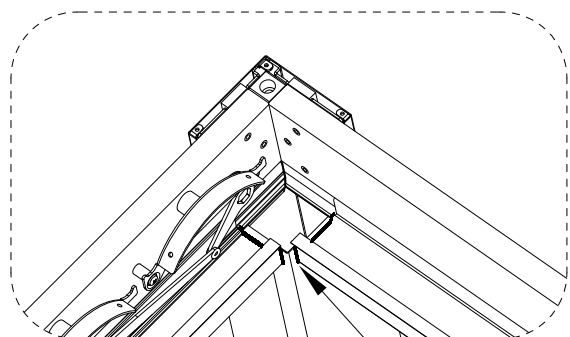
## 2-e. Install crossbeam B1 and column A3



## 2-f. Install crossbeam B2 and lock all S4

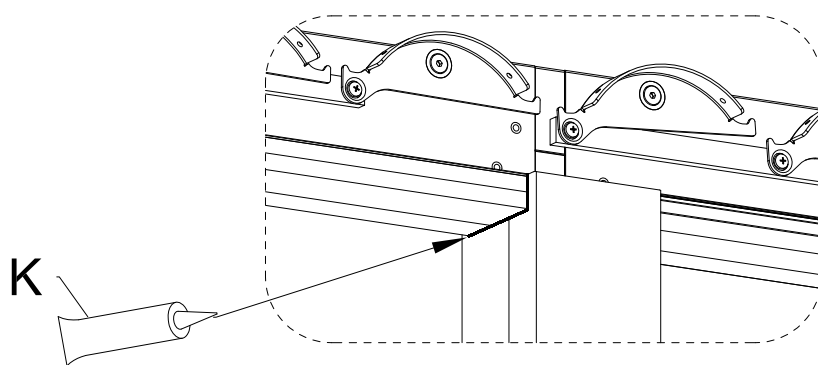
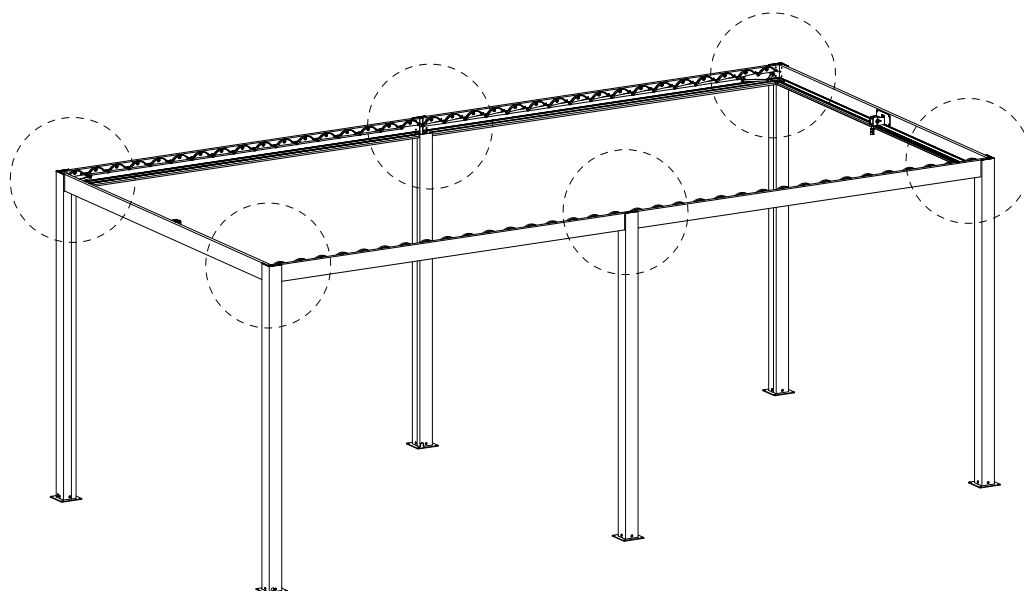


## 2-g. Apply waterproof sealant to the joint of the crossbeam

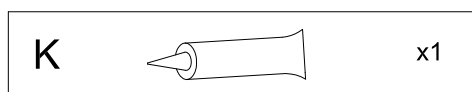


K

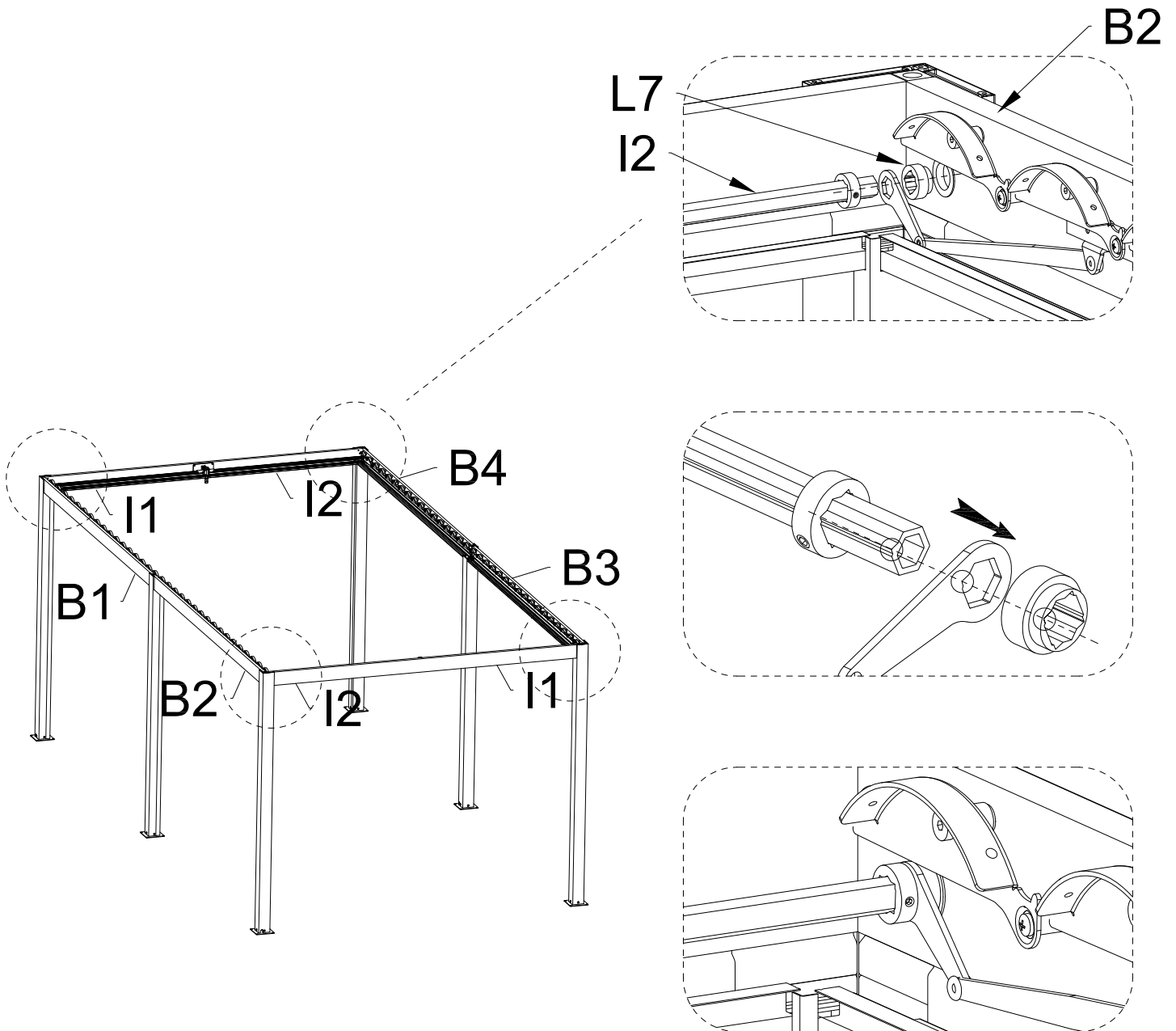
K






K



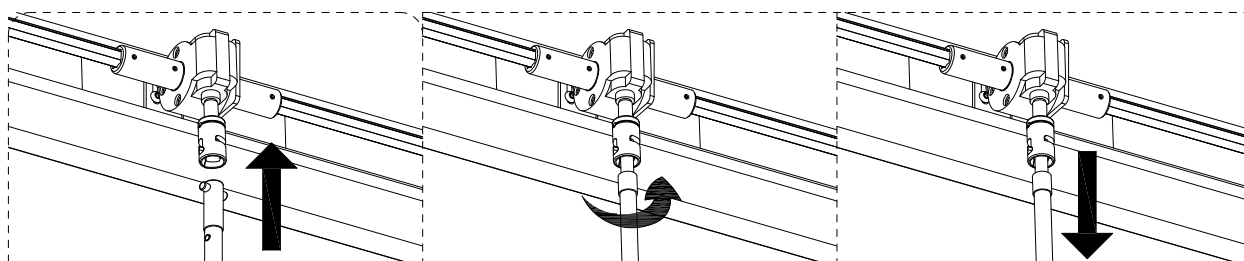
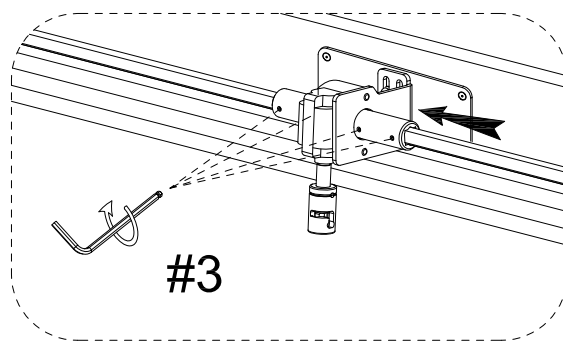
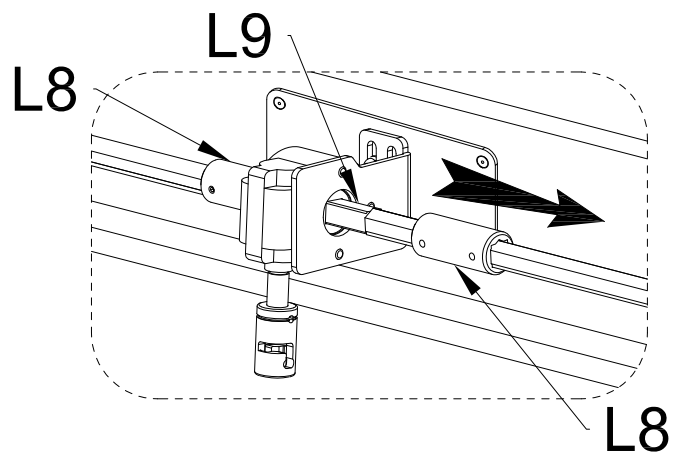
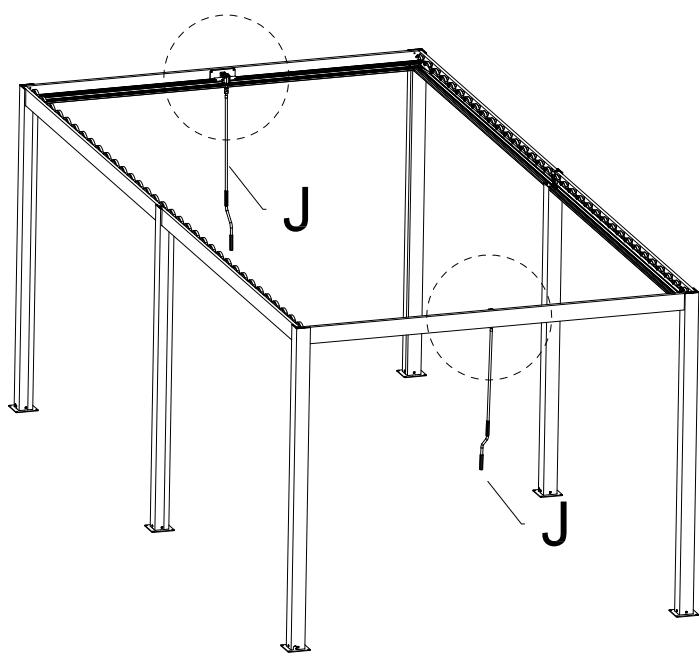
### 3-a. Install hexagonal rotating rods I1 and I2


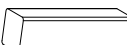



**Note:** The illustration shows the installation method for the right transmission rod. The left side same as the right side

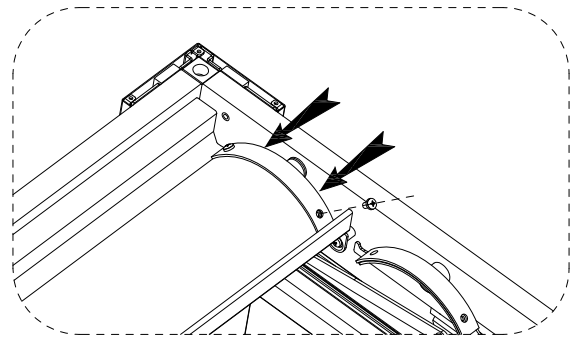
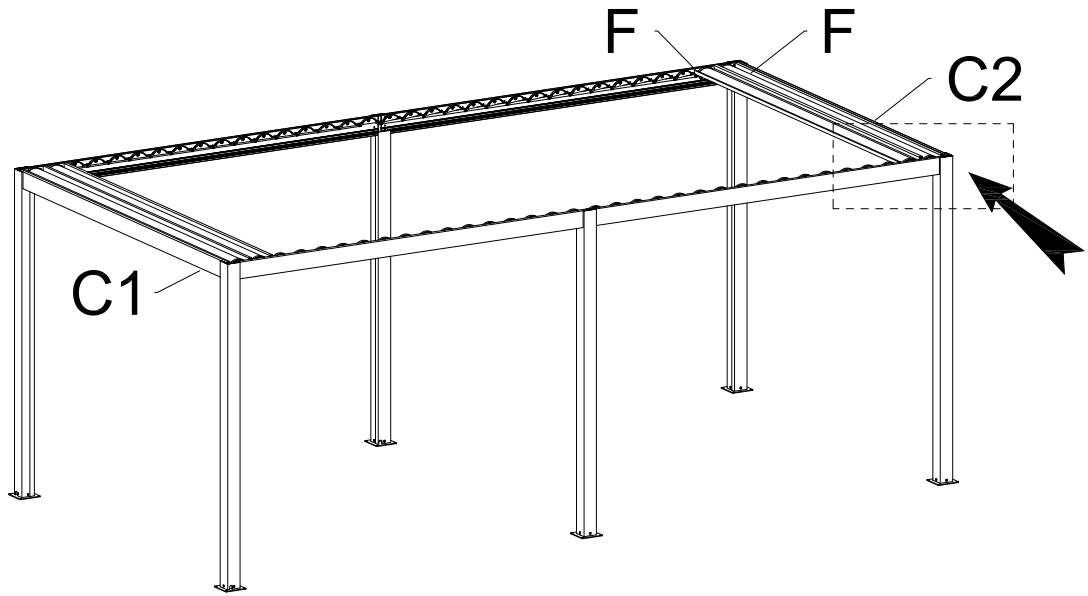
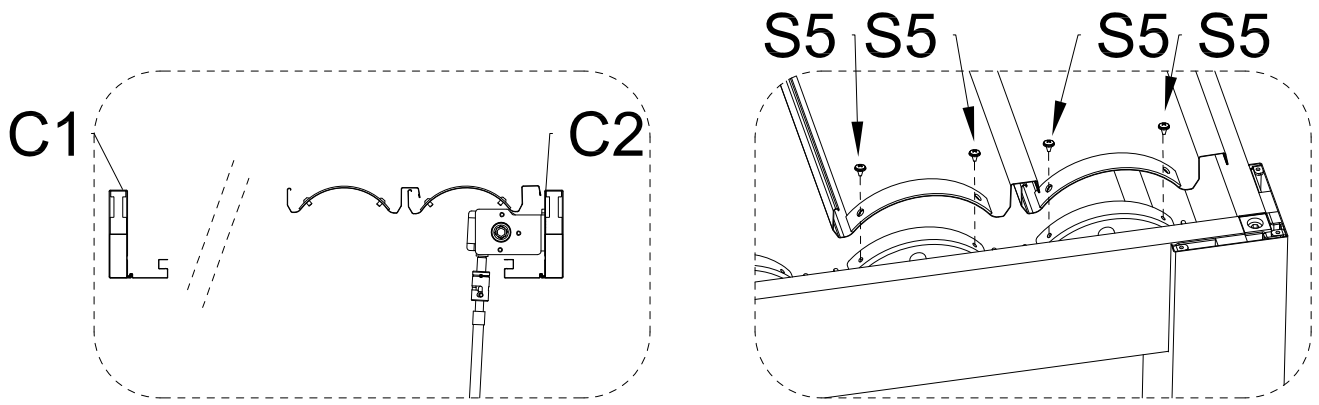
I1		x2		
I2		x2	L7	 x4

### 3-b. Connect the transmission rod to the gearbox

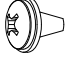



L8		x4	L9		x2
J					x2

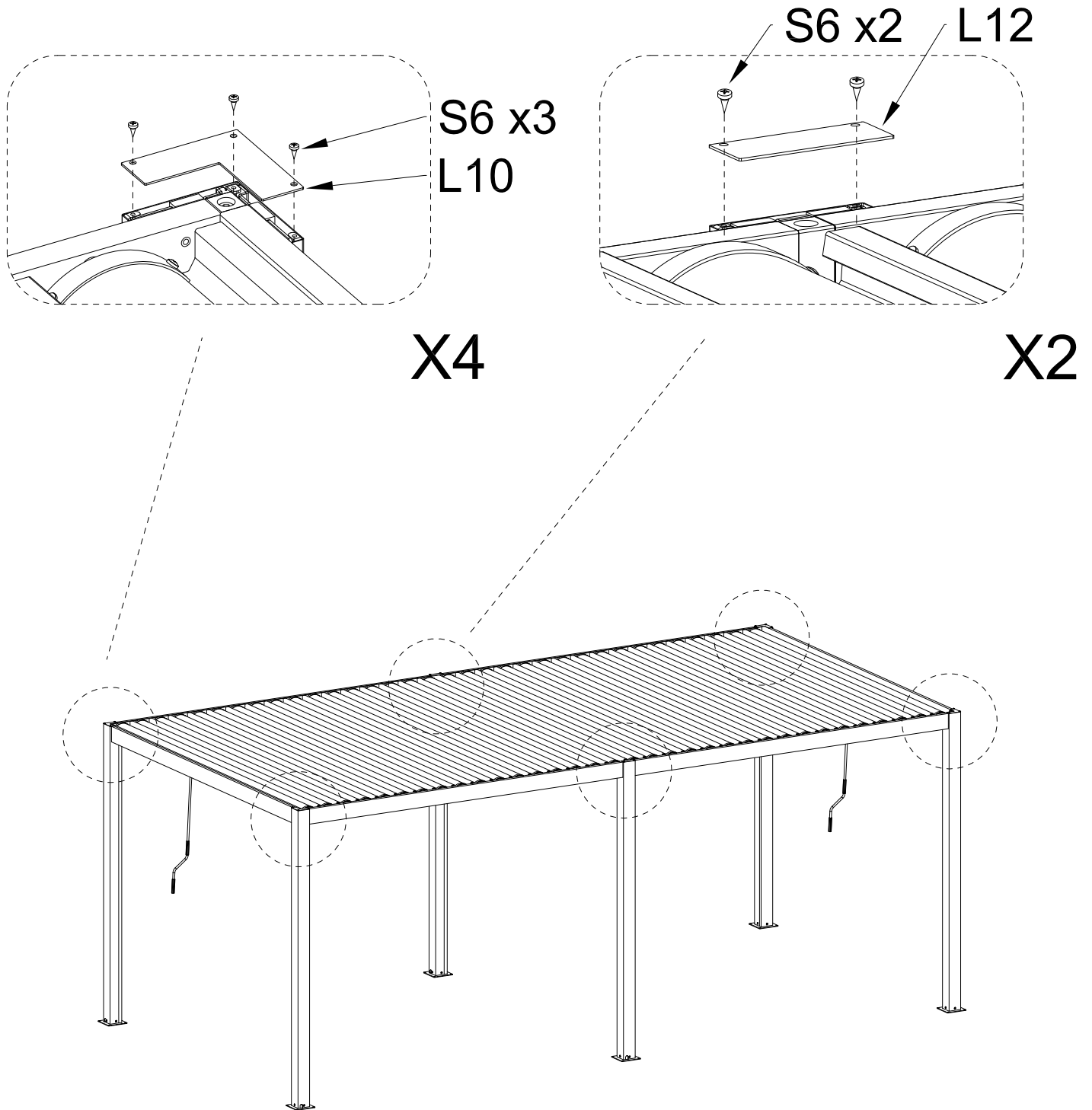
## 4. Install and secure the louvers

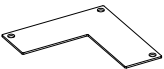

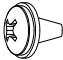


If, when installing the louver, one end is fixed and the other end encounters a situation where the installation hole is offset, please apply force in the direction of the arrow to align the installation hole

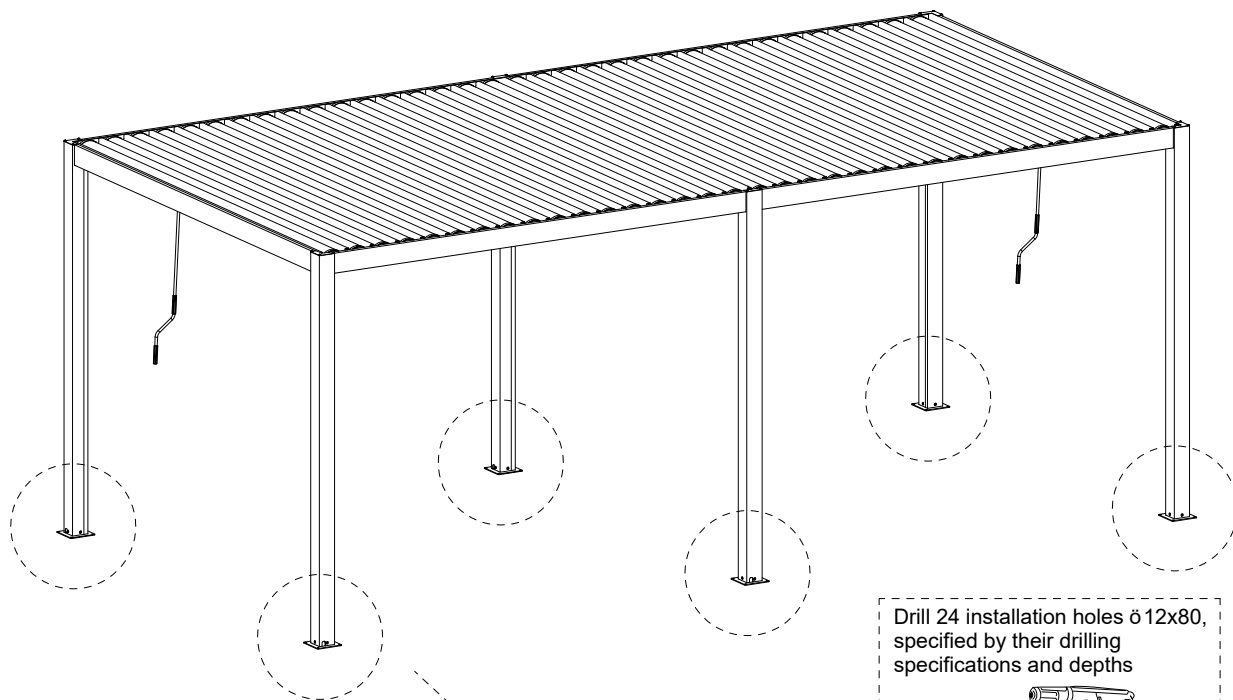
S5		x136/x184 M5*8
F		x34/x46

## 5. Install the column cover



L10		x4	L12		x2	S6		M4*16	x16
-----	---	----	-----	---	----	----	---	-------	-----

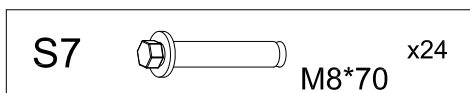
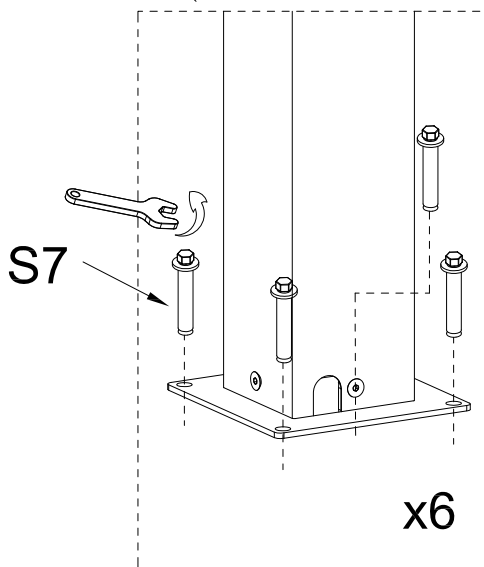
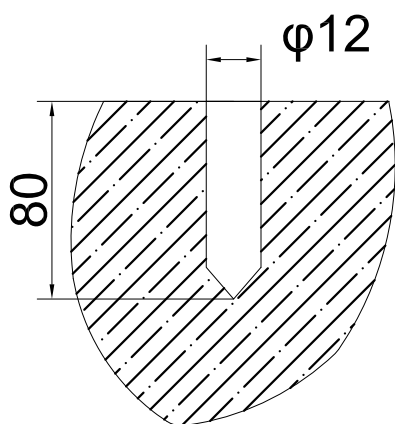
## 6. Fixed columns



Drill 24 installation holes  $\phi 12 \times 80$ , specified by their drilling specifications and depths



$\phi 12 / L > 80 \text{mm}$



## Contact information

Austria



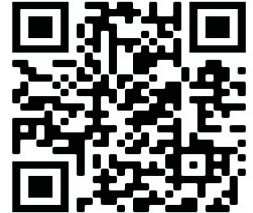
Belgium



Croatia



Denmark



Estonia



Finland



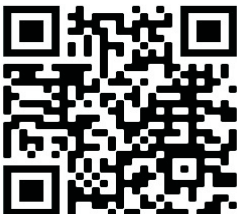
France



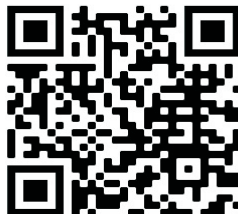
Germany



Ireland



Italy



Latvia



Lithuania



Nederland



Norway



Poland



Portugal



Spain



Sweden



Switzerland



UK

