

DANCOVER[®]

.com

Manual
for
Gazebo Horus
3,4x3,4m

ASSEMBLY AND OPERATING INSTRUCTIONS



Read Manual

Your ancient Pavilion Frame requires assembly prior to use. It is important that you read the entire manual to become familiar with the unit BEFORE you set up the Pavilion Frame.

Safety Warning and Precautions

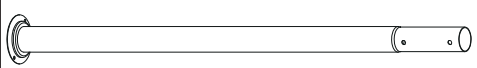

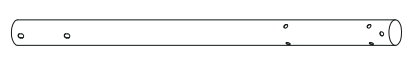
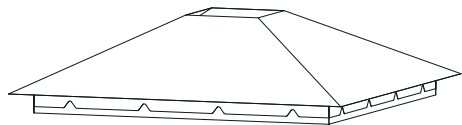
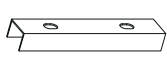

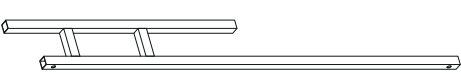


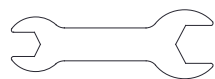
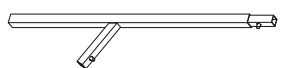

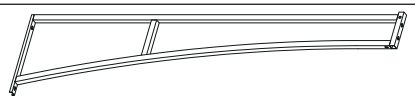




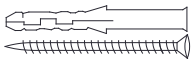
WARNING: When using product, basic safety precautions should always be followed to reduce the risk of personal injury and damage to equipment.

Read all instructions before assembly and usage of this product

- 1. Select ideal location.** Set out all parts on a clear and level surface prior to assembly. Ideally, the Pavilion Frame should be set up in the desired location to avoid moving it after assembly.
- 2. Use caution.** During all the processes of assembling, especially when lifting heavy or large parts, pay attention to safety.
- 3. Tools and Assistance.** Ladder and Phillips screwdriver are self-provided. Whenever possible, assistance is preferred.
- 4. Check for parts available.** Before assembling your Pavilion Frame, make sure that you have all parts described in the Parts List.
- 5. Check for damaged parts.** Before assembling your Pavilion Frame check for damaged parts. Any part that appears damaged should be carefully checked to determine if it can be operated properly and perform its intended function. Any part that is damaged should be properly repaired or replaced by a qualified technician.
- 6. Refer to assembly diagram.** During assembly, it will be helpful to refer to the assembly diagram.
- 7. Keep children away.** Children shouldn't be allowed in the work area. Do not let them handle parts and tools. No people should be permitted to enter into work area except who is working.

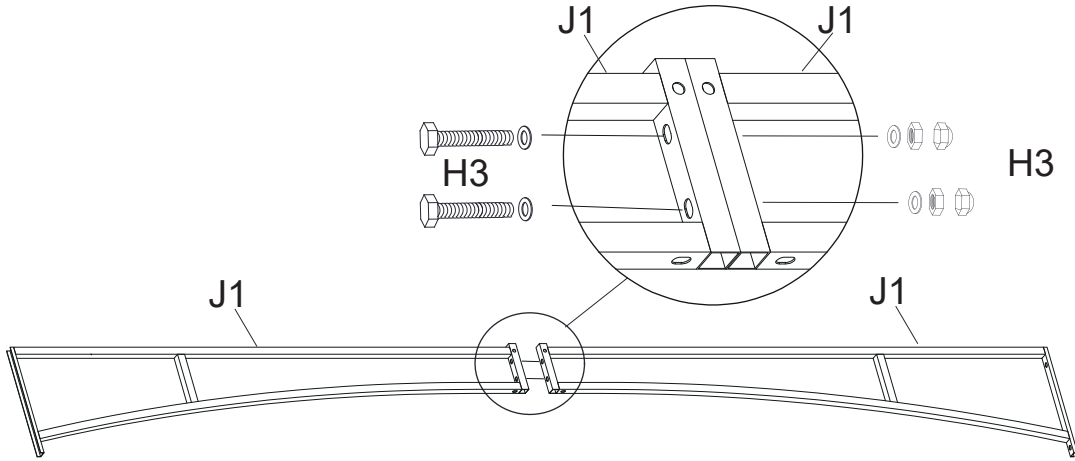
Note! This gazebo is meant to be used for Decorative and sunshade purposes only and is not meant to withstand all elements of the weather. Please remove the canopy top during inclement weather.

Parts List

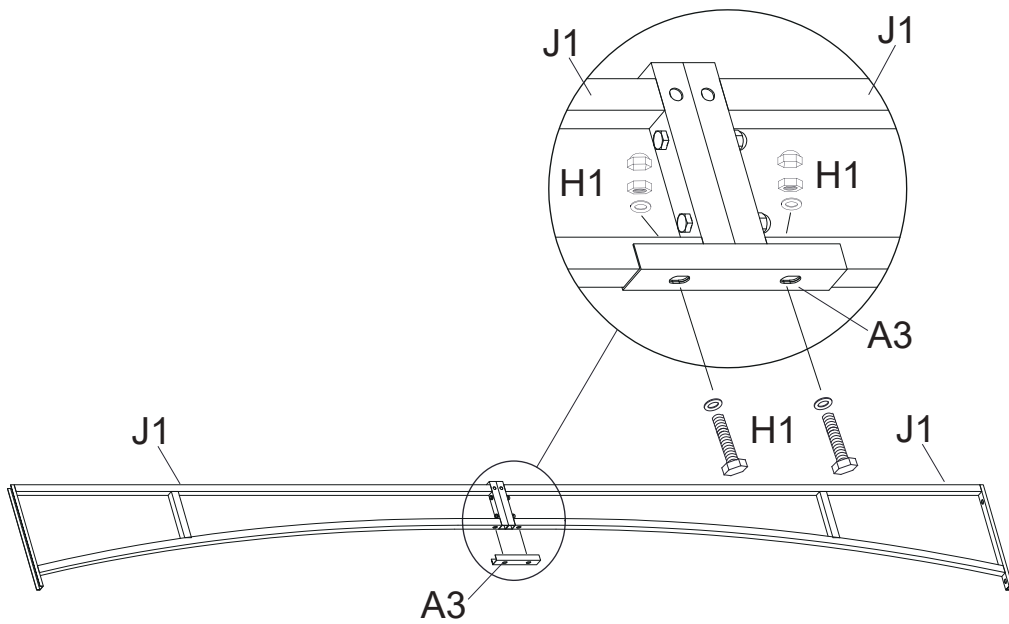
Part#	Figure	Qty	Part#	Figure	Qty
A1		4	M		1
A2		4	N		1
A3		4	P		1
B1		4	S		1
C		4	X	M6 	1
D		4			
E1		4			
J1		8			
F		1			
H1	M6X30 	8+1			
H2	M6X16 	24+1			
H3	M6X48 	8+1			
H4		8			

Assembly Diagram

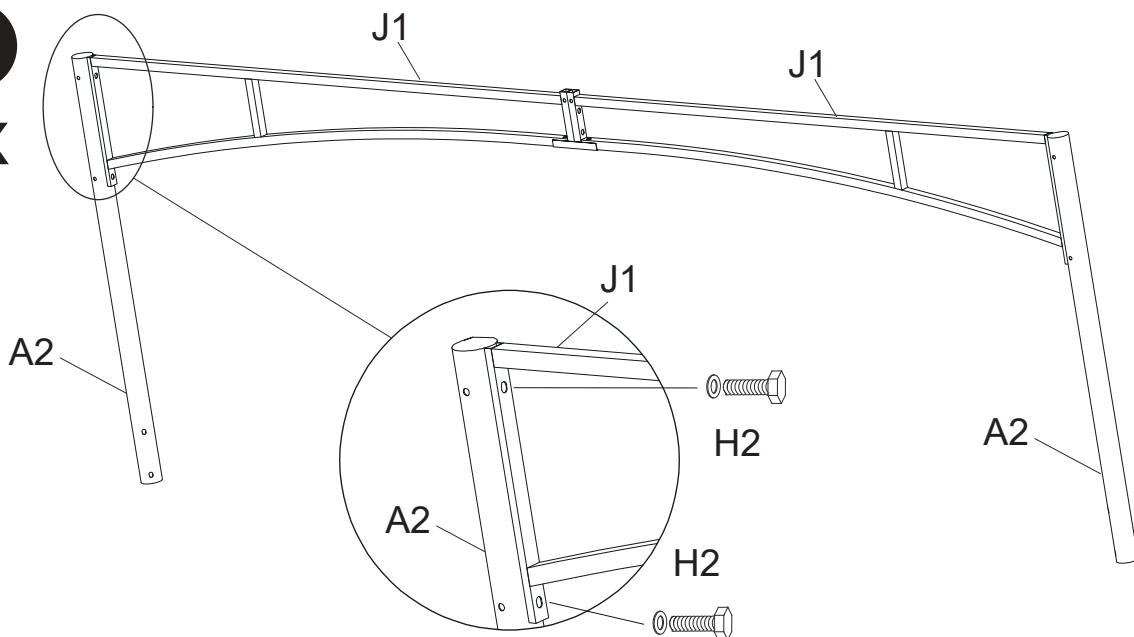
1
4x



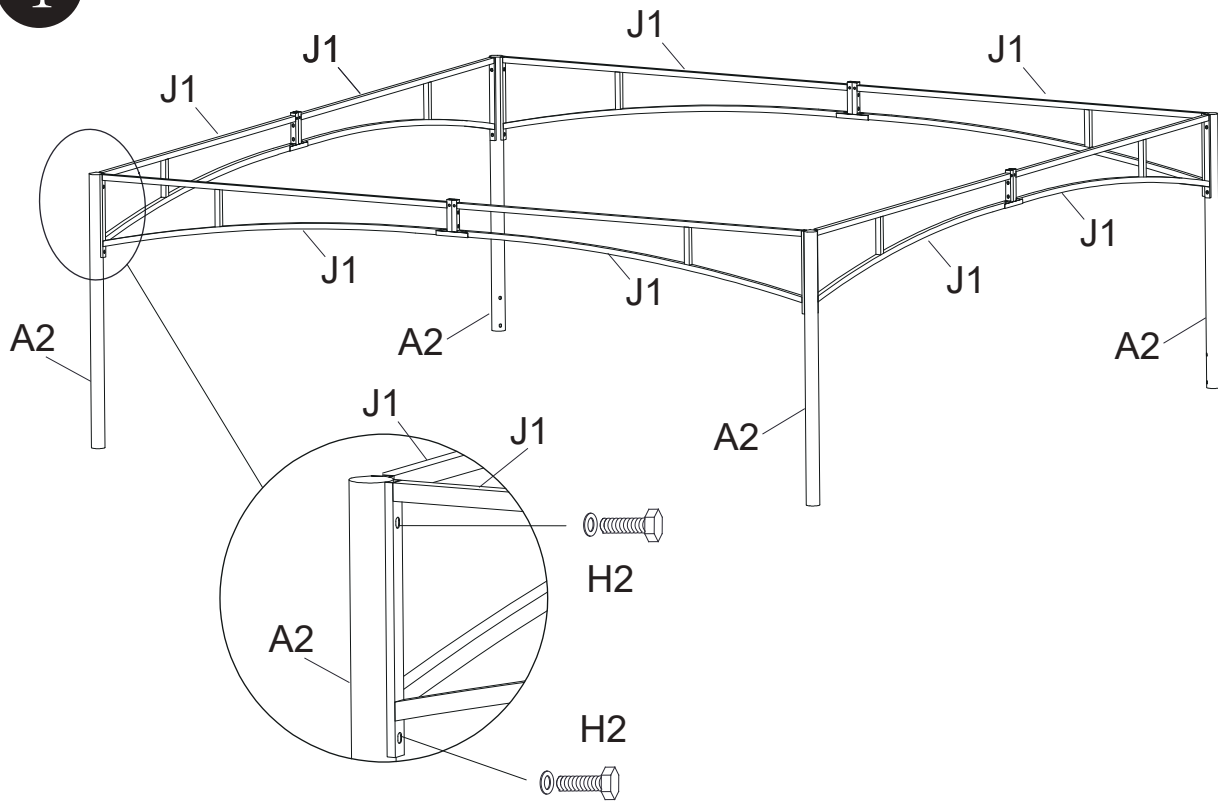
2
4x



3
2x

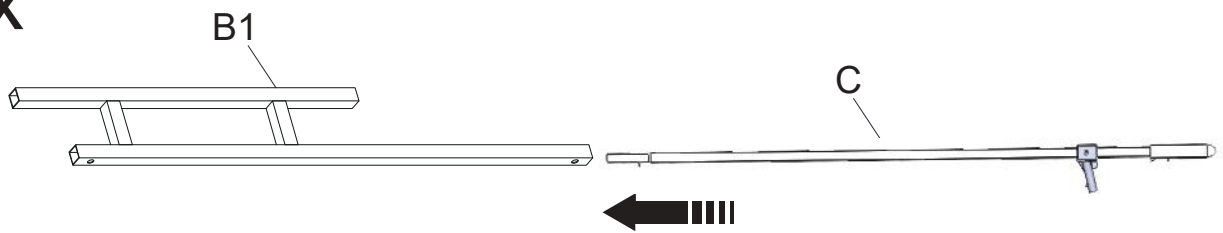


4



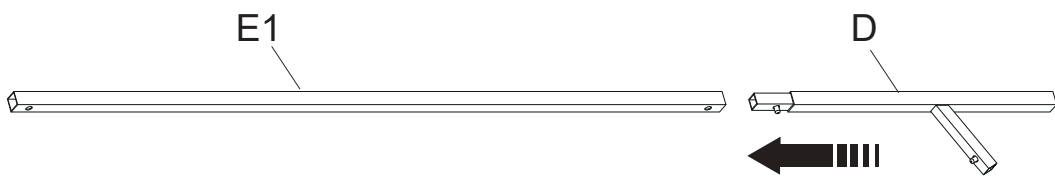
5

4x

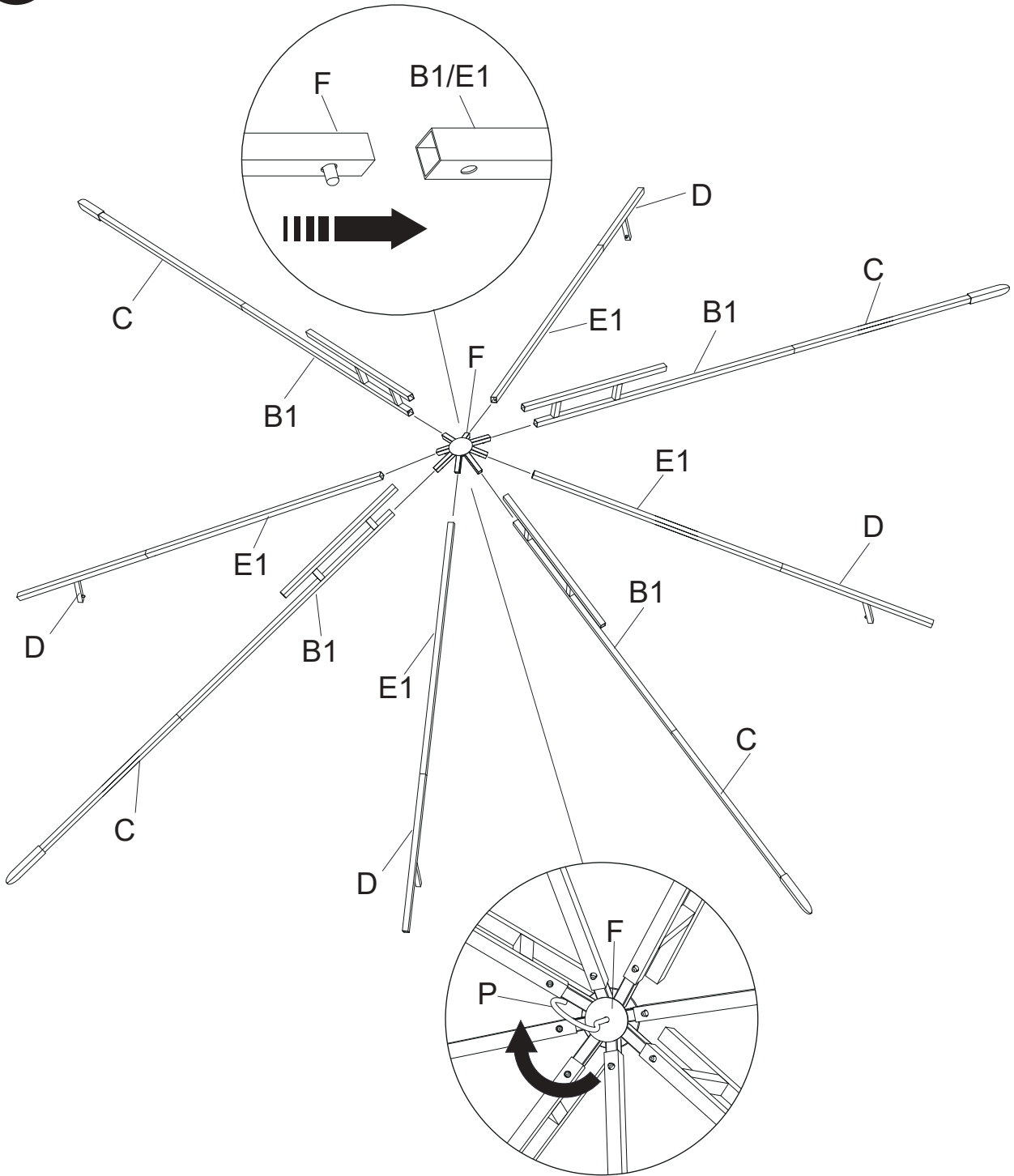


6

4x

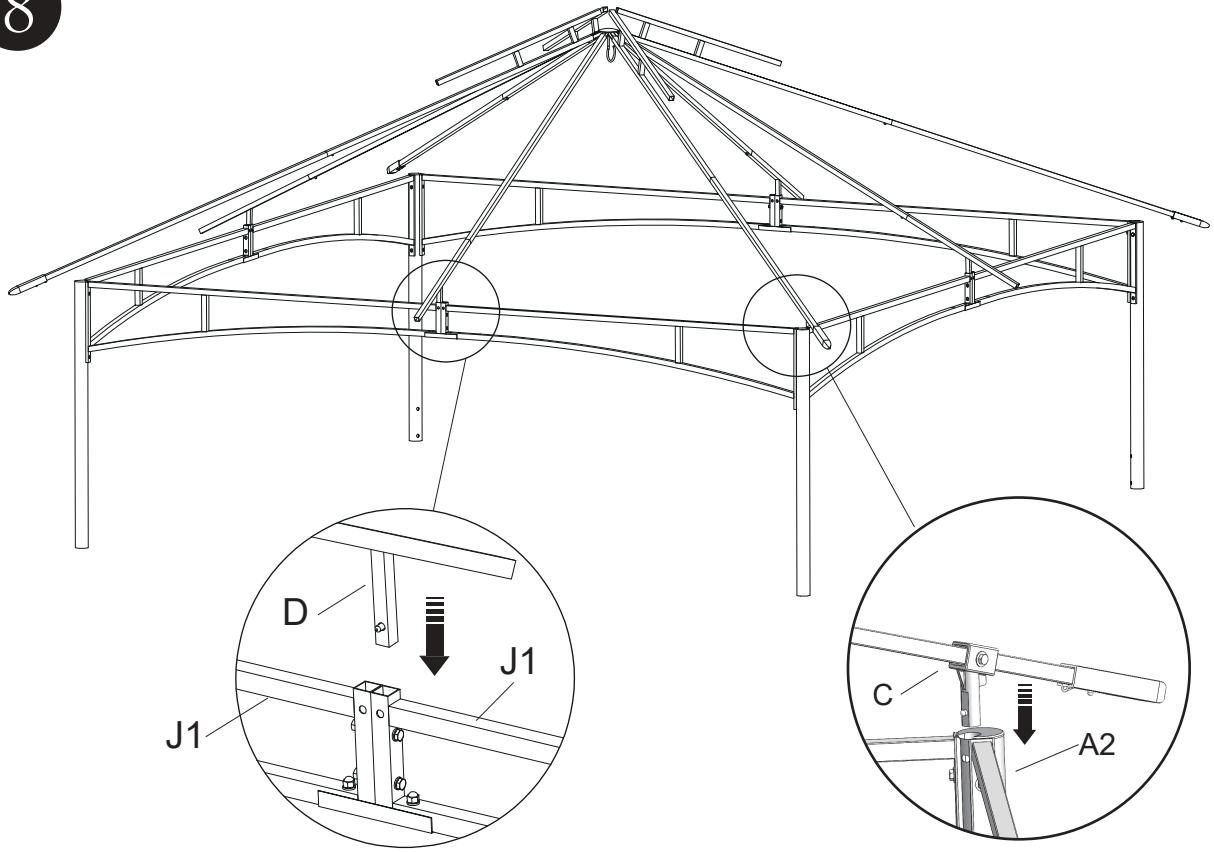


7

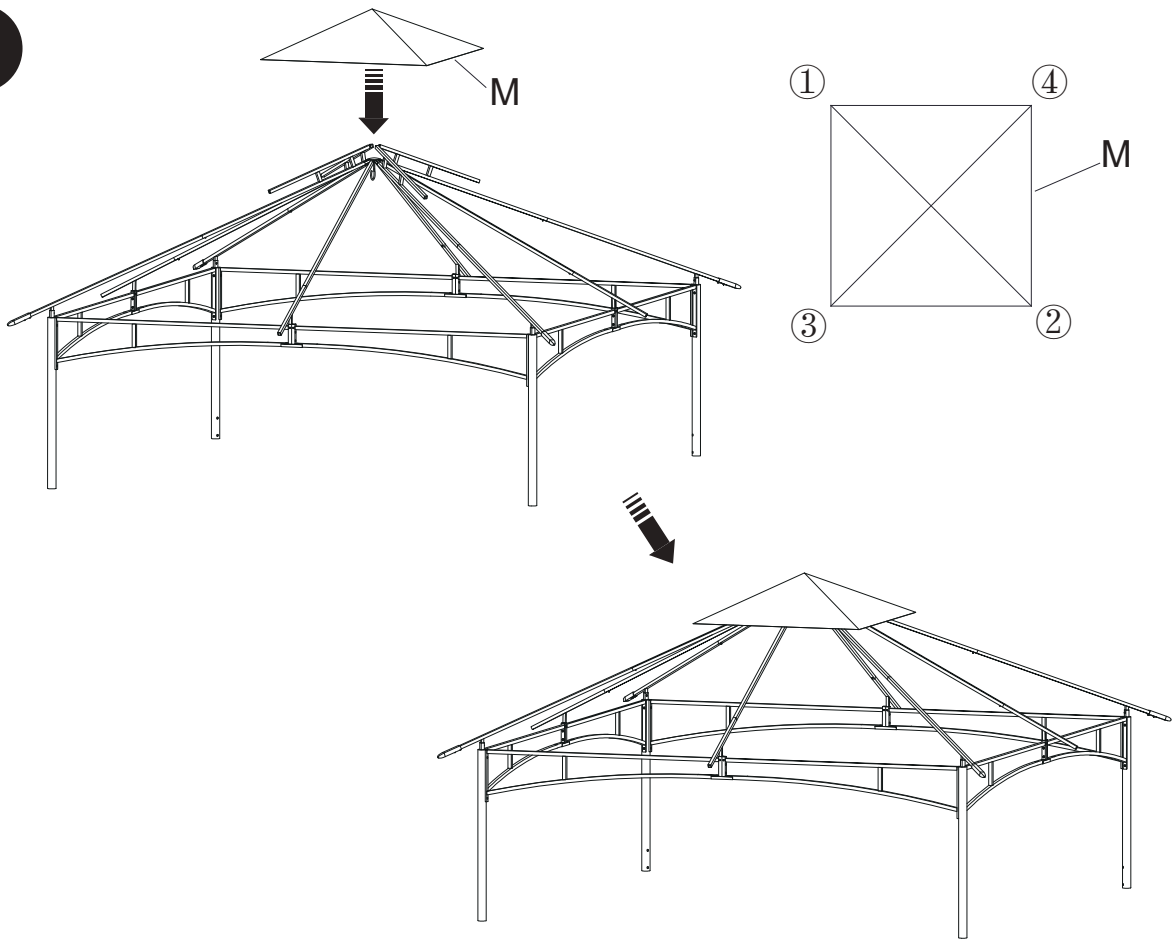


Note: The load-bearing capacity of the top hook shall not exceed 2 kg.

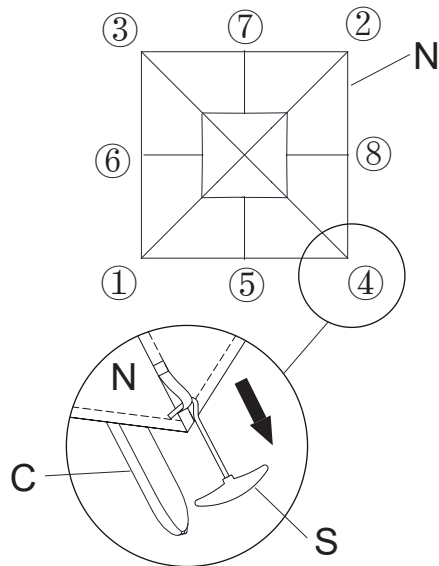
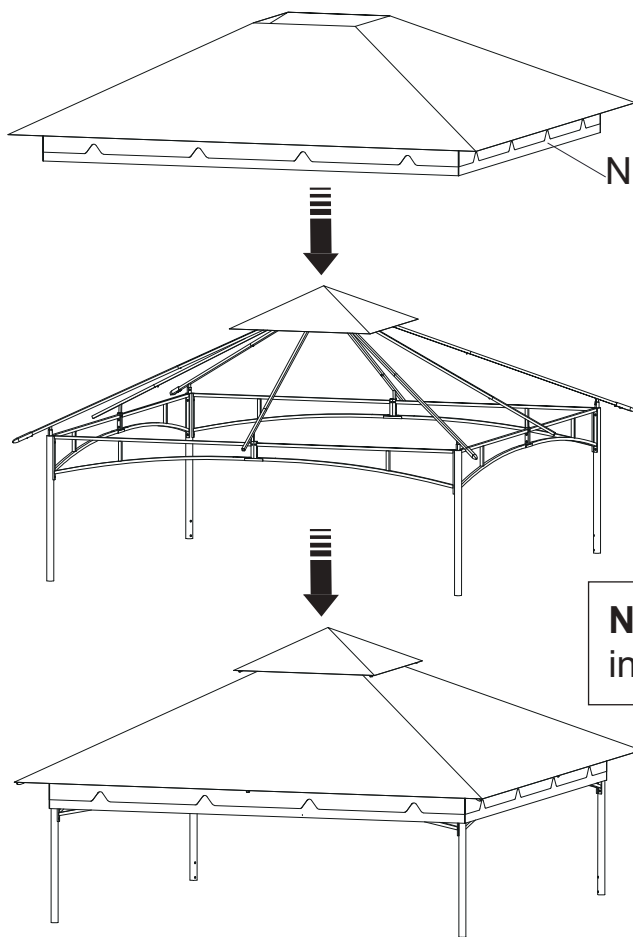
8



9

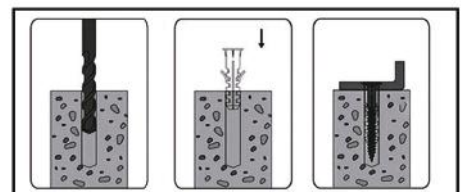
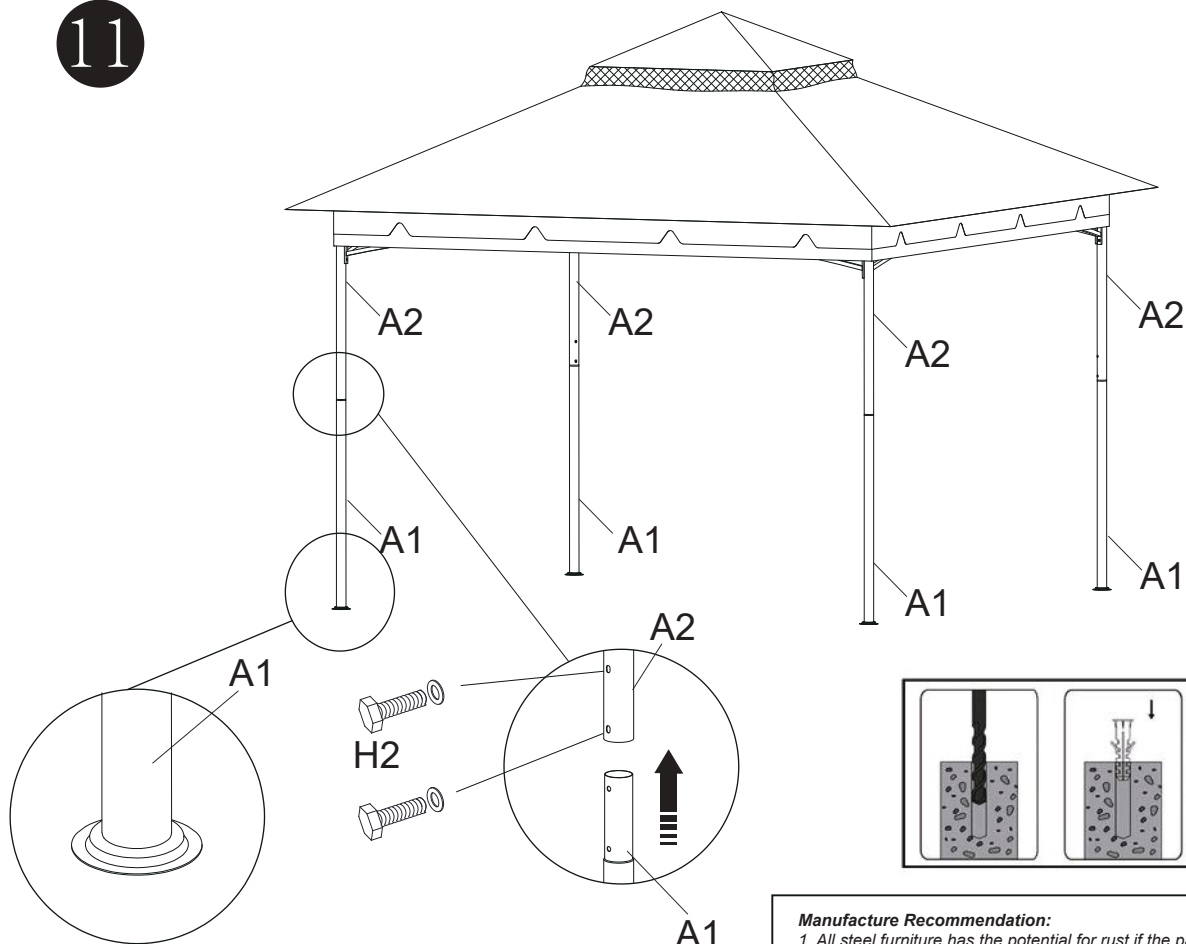


10



Note: This corner pocket be inserted must using the hook S.

11



Manufacture Recommendation:
 1. All steel furniture has the potential for rust if the paint is scratched and bare metal is exposed to air and water. Apply clear rust inhibitor (such as Paint) immediately after assembling the furniture to prevent rusting.
 2. It is recommended to remove the canopy top during inclement weather.

Contact information

Austria



Belgium



Croatia



Denmark



Estonia



Finland



France



Germany



Ireland



Italy



Latvia



Lithuania



Nederland



Norway



Poland



Portugal



Spain



Sweden



Switzerland



UK

