

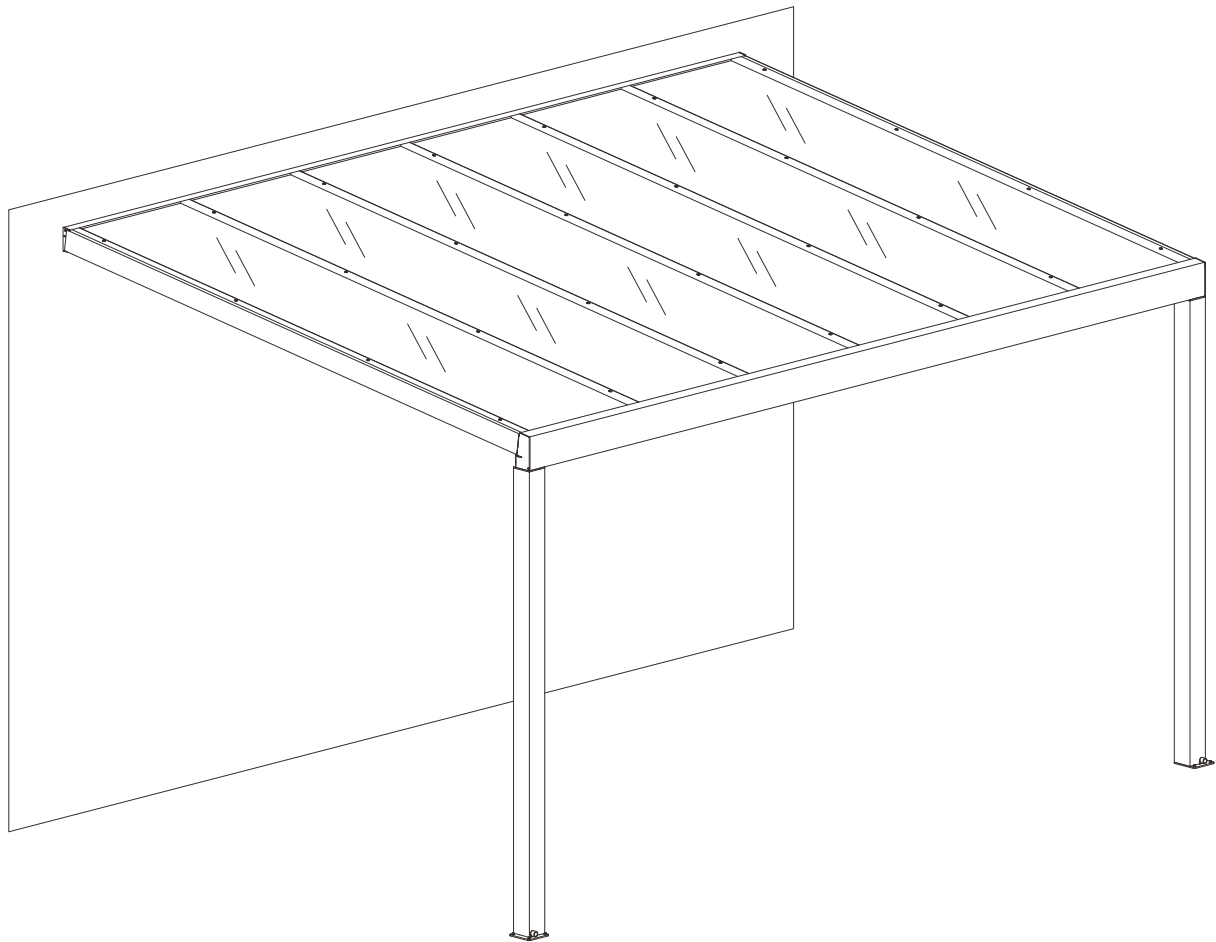
DANCOVER[®]

.com

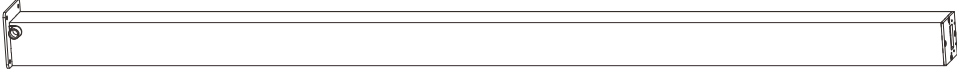
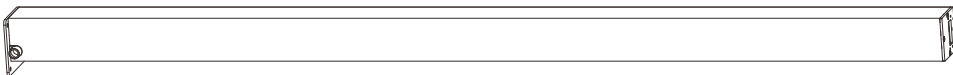
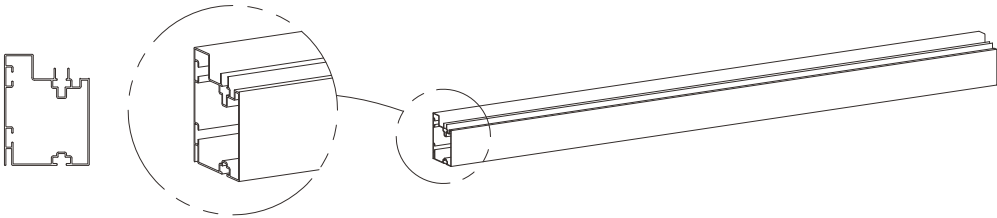
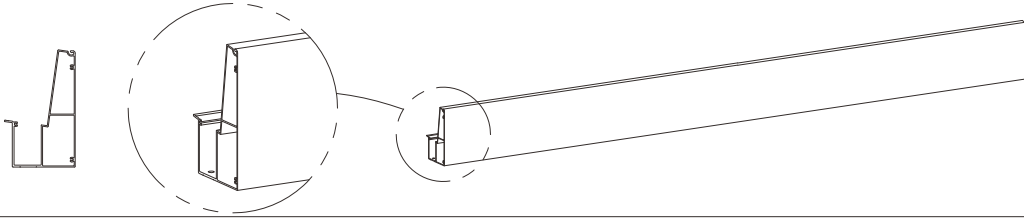
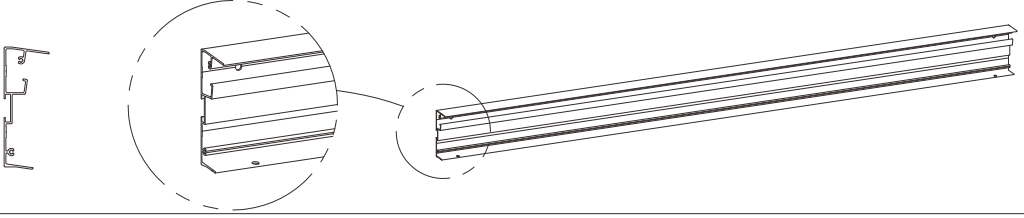
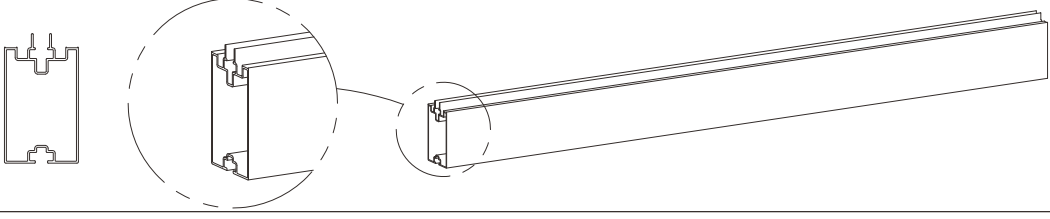
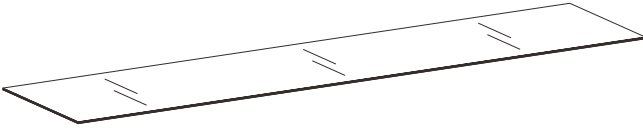
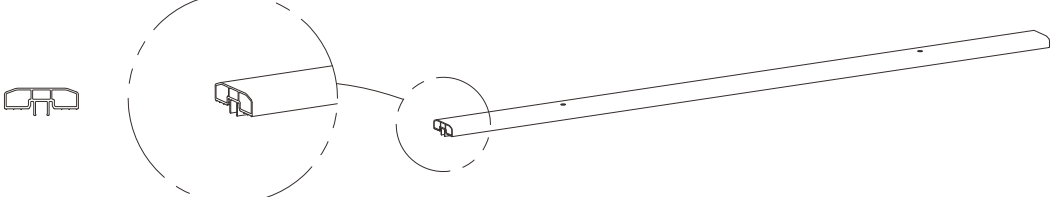
Manual
for
Sunroom San Pablo Alu+
3x3m, 4x3m, 3x4m and 4x4m

Sunroom

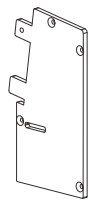
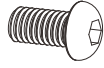
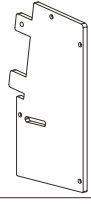
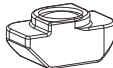





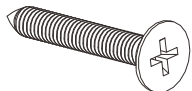


User's Manual



Part List

REF	PHOTO	QTY
A1		1
A2		1
B		2
C1		1
C2		1
D		3.0*3=3 4.0*3=5 4.3*3=5 3.0*4=3 4.0*4=5 4.3*4=5
E		3.0*3=4 4.0*3=6 4.3*3=6 3.0*4=4 4.0*4=6 4.3*4=6
F		3.0*3=5 4.0*3=7 4.3*3=7 3.0*4=5 4.0*4=7 4.3*4=7

Part List

REF	PHOTO	QTY	REF	PHOTO	QTY
L1		1	S1	 M6*10	3.0*3=18 4.0*3=22 4.3*3=22 3.0*4=18 4.0*4=22 4.3*4=22
L2		1	S2	 T Nut	3.0*3=30 4.0*3=42 4.3*3=42 3.0*4=35 4.0*4=49 4.3*4=49
L3		1	S3	 M6*35	3.0*3=20 4.0*3=28 4.3*3=28 3.0*4=28 4.0*4=35 4.3*4=35
L4		1	S4	  M5*50 & φ8*45	3.0*3=3 4.0*3=4 4.3*3=4 3.0*4=3 4.0*4=4 4.3*4=4
			S5	 ST3.5*25	12
			S6	  M6*60 & φ10*50	6

Kind Reminder

General Guidelines

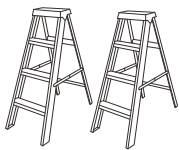
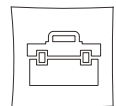
- Please keep this manual for future use after you install the pergola;
- Please read the following instruction carefully before assembly;
- This manual may not include every details and considerable steps;
- Please contact us when you need further information or any help;

Kind Notes

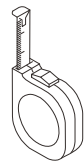
·Due to the fact that this product is a standard mobile module, it is prohibited for non professionals to stand, stop, or work on the roof of a sunroom without permission, in order to prevent the occurrence of high-altitude falling accidents.

·In severe weather conditions such as strong winds, thunderstorms, freezing, and heavy snow of level 5 or above, the operation and use of this product should be reduced. If the snow thickness on the sunny roof exceeds 10 centimeters, it should be cleaned in a timely manner, and the product should not be moved.

What you may need?



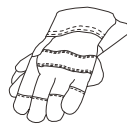
Ladder x2



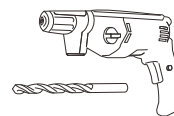
Tape line



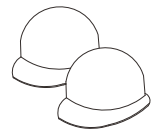
Mallet



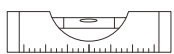
Glove



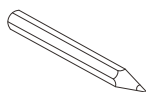
electric screw driver



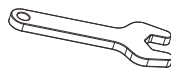
Safety hat x2



Level



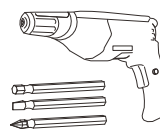
Marker Pen



Wrench



or



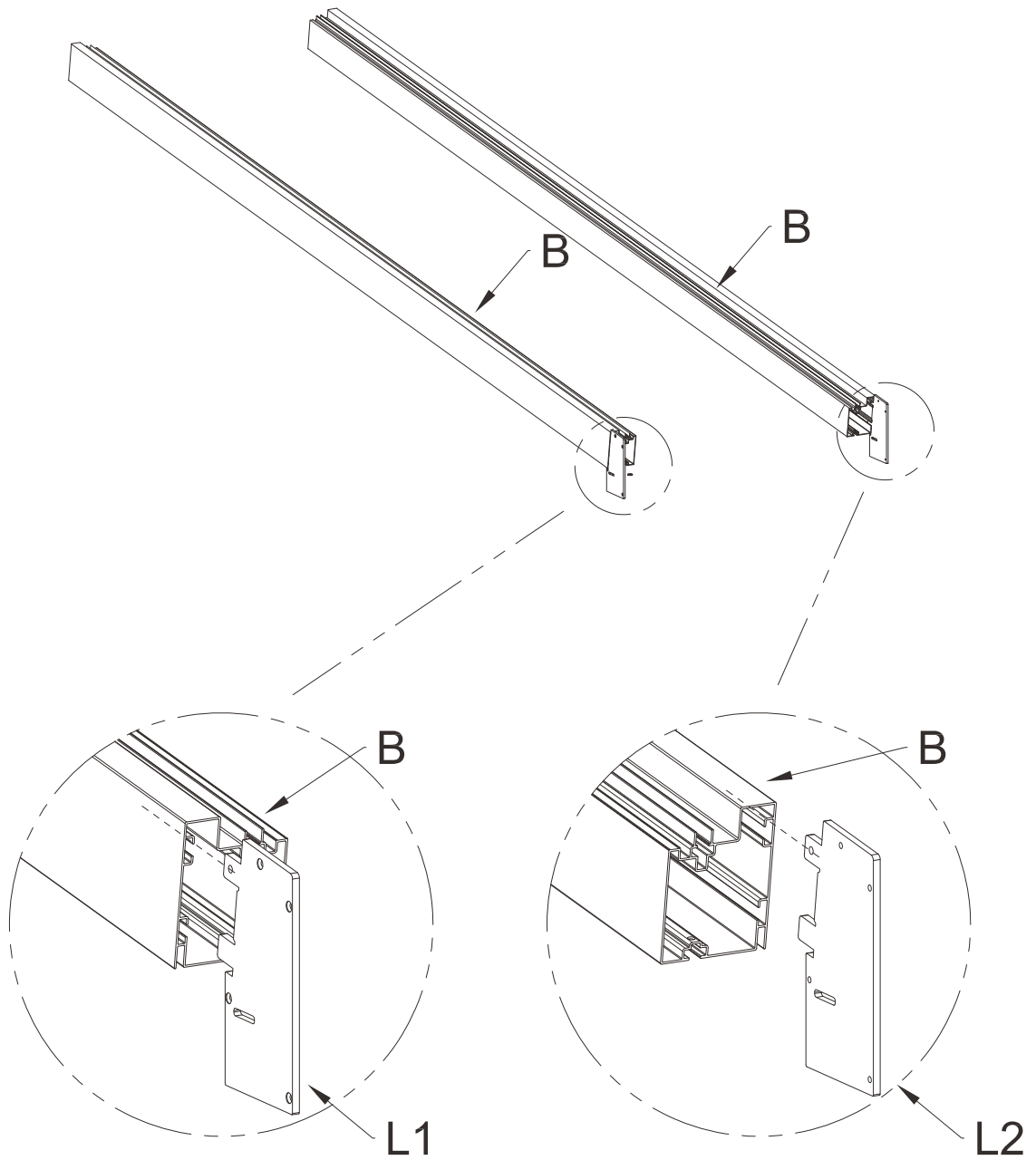
screwdriver or electric screwdriver






Sleeve tool Allen key

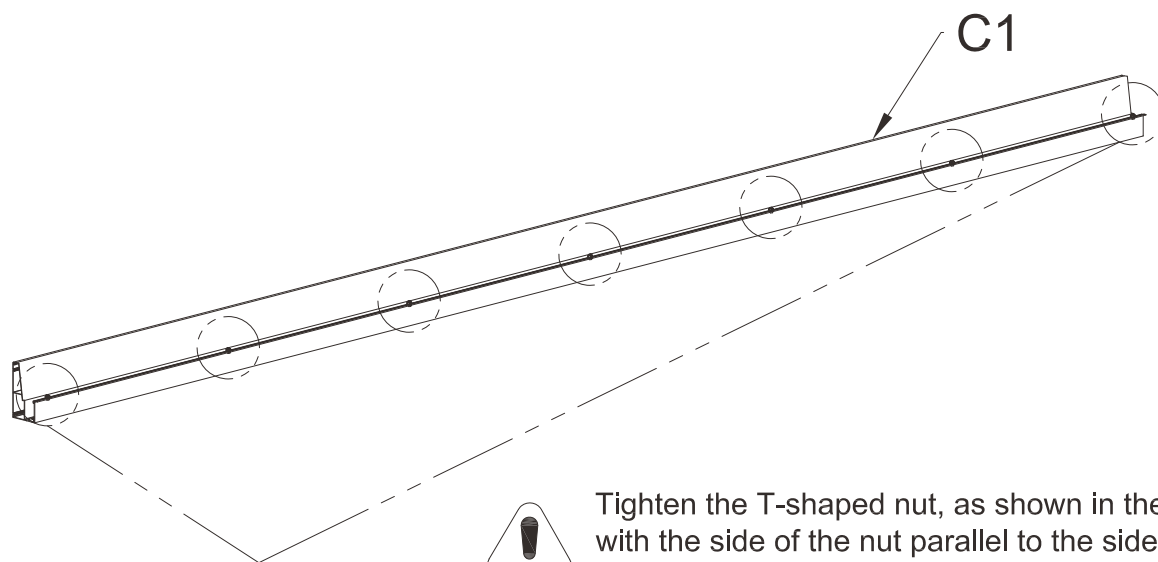
Step-by-step Instructions for Installation

1.1 Install the left and right end covers.

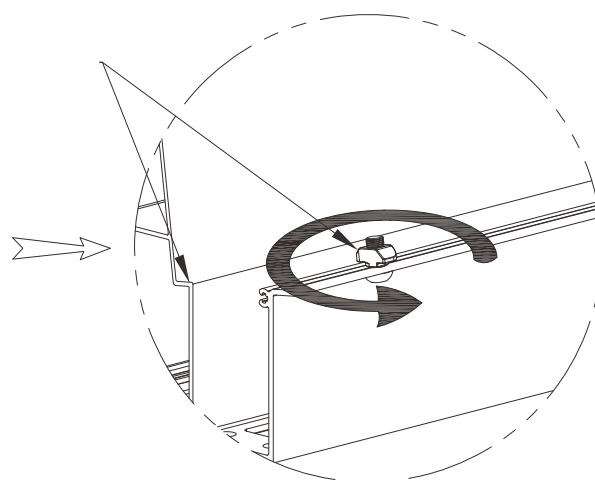
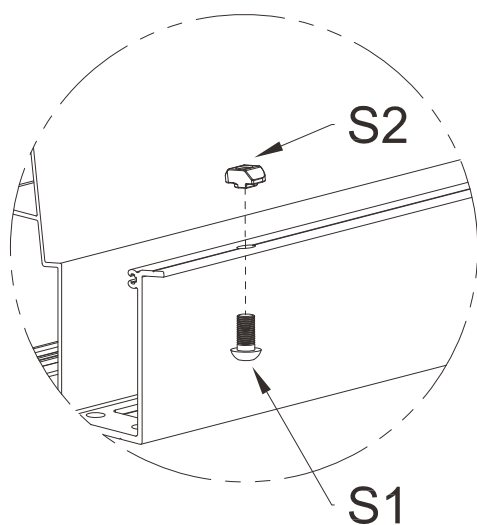


B		QTY:2PCS
L1		QTY:1PC
L2		QTY:1PC




1.2 Pre install fixing screws.



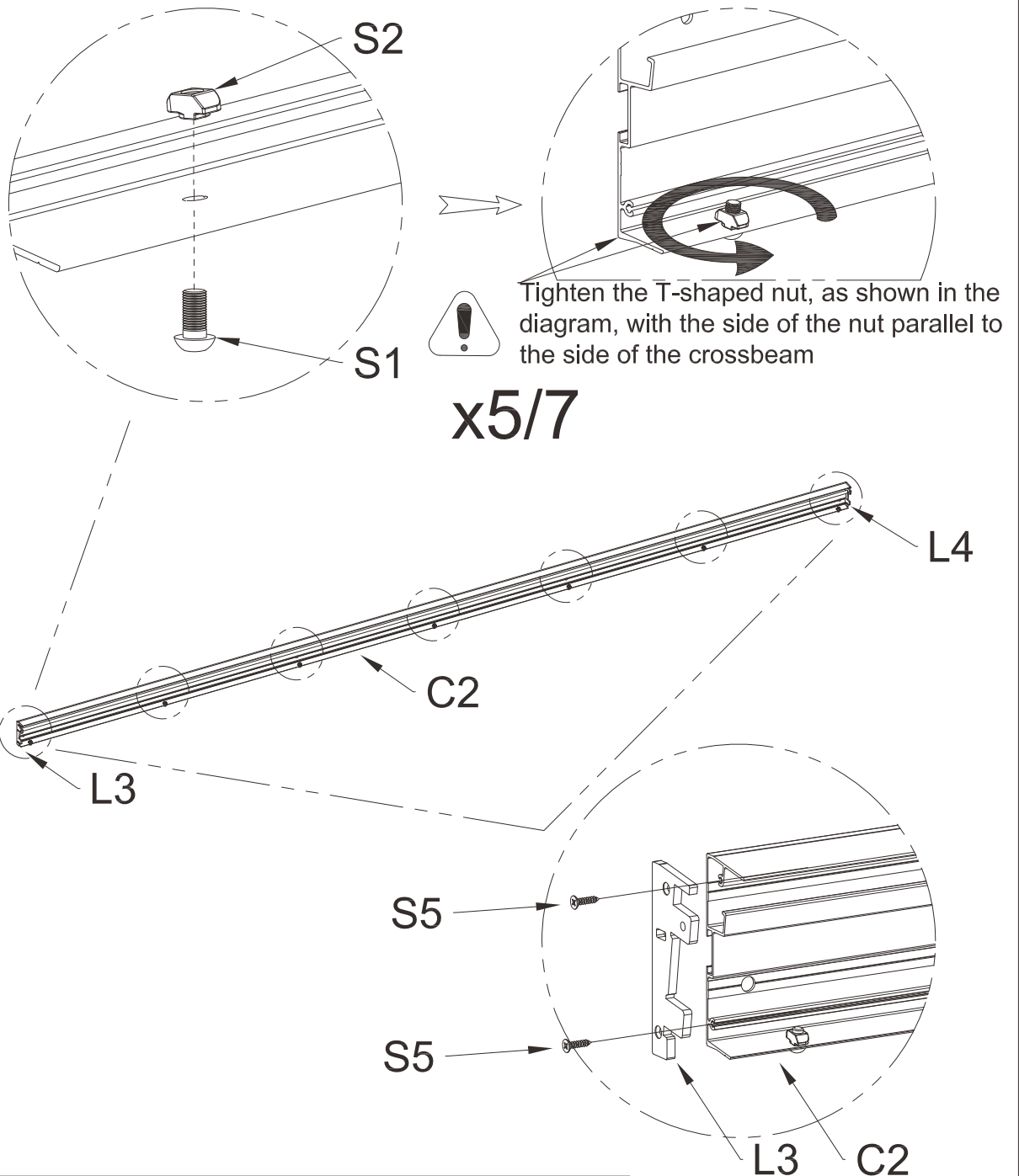
Tighten the T-shaped nut, as shown in the diagram, with the side of the nut parallel to the side of the crossbeam




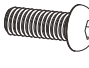




x5/7

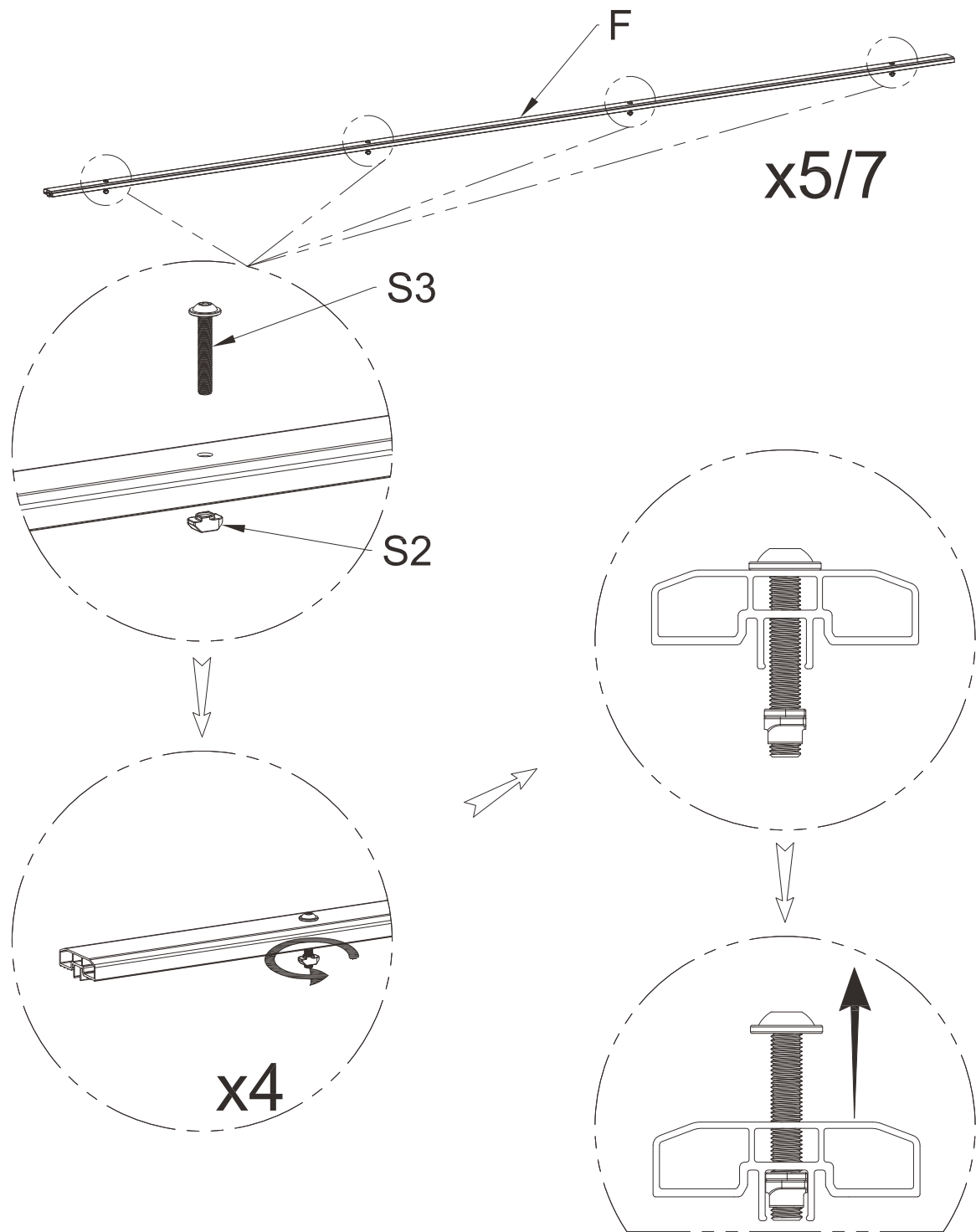
C1		QTY:1PC
S1	 M6*10 QTY:5/7PCS	S2  QTY:5/7PCS

1.3 Assemble crossbeam C2, install the end cap and screws.

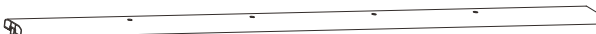




C2		QTY:1PC	
L3		QTY:1PC	L4  QTY:1PC
S1	 M6*10	QTY:5/7PCS	S2  QTY:5/7PCS
			S5  QTY:4PCS ST3.5*25

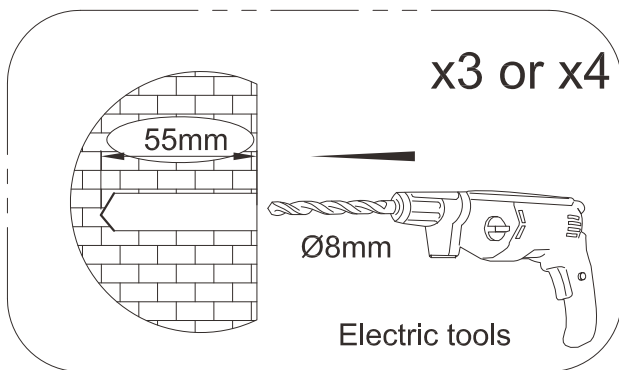
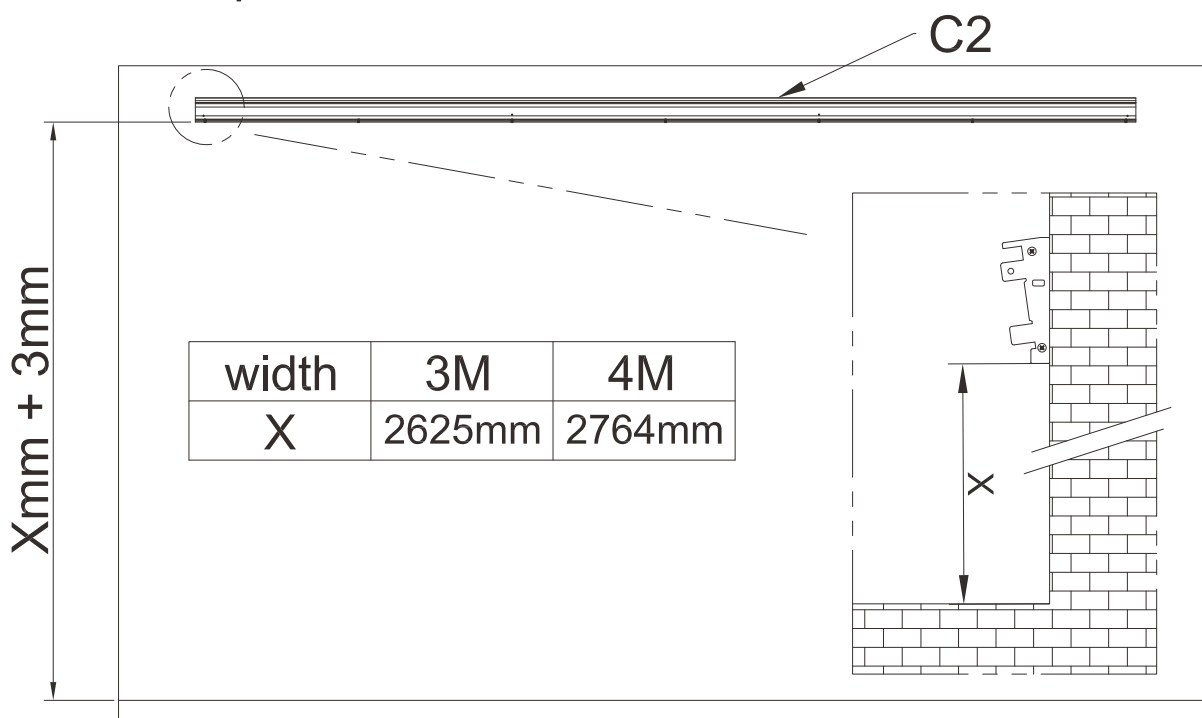
1.4 Pre install fixing screws.



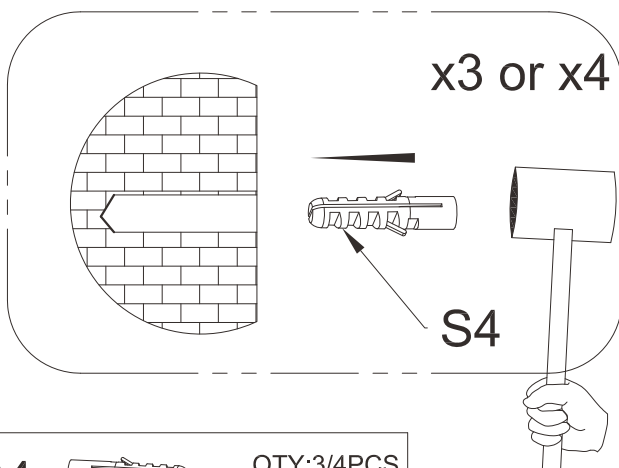
Pull the T-nut upwards and clip it into the groove, set it aside for later use

F		QTY:5/7PCS
S2		QTY:20/28PCS
	S3	 M6*35

2.1 Use the rear crossbeam and fixing block to draw on the wall, and mark on the wall with a marker pen.



Drill 3/4 holes on the wall using an impact drill



Tap 3/4 plastic expansion pipes into the holes

S4

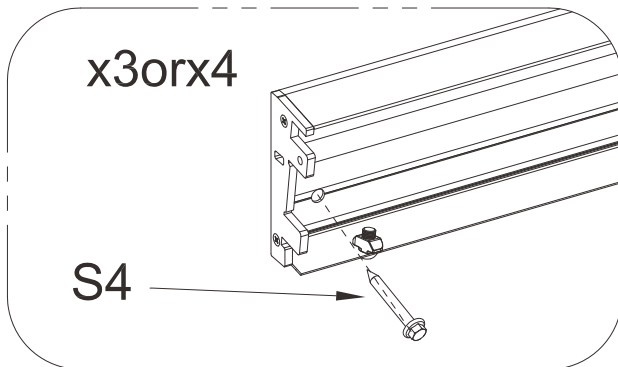


φ8*45

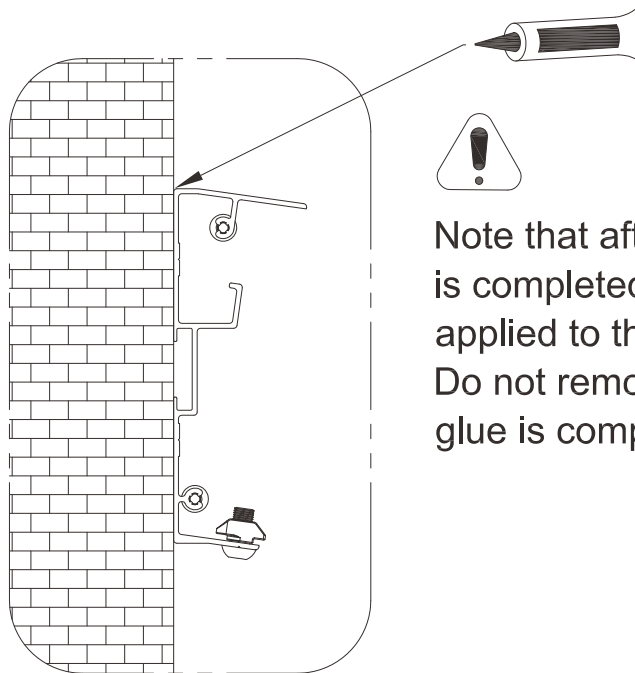
QTY:3/4PCS

2.2 Install the crossbeam and fasteners after installation.

Suggest filling the joint between the rear beam and the wall with sealant.



Fix the crossbeam and fixing components with expansion screws



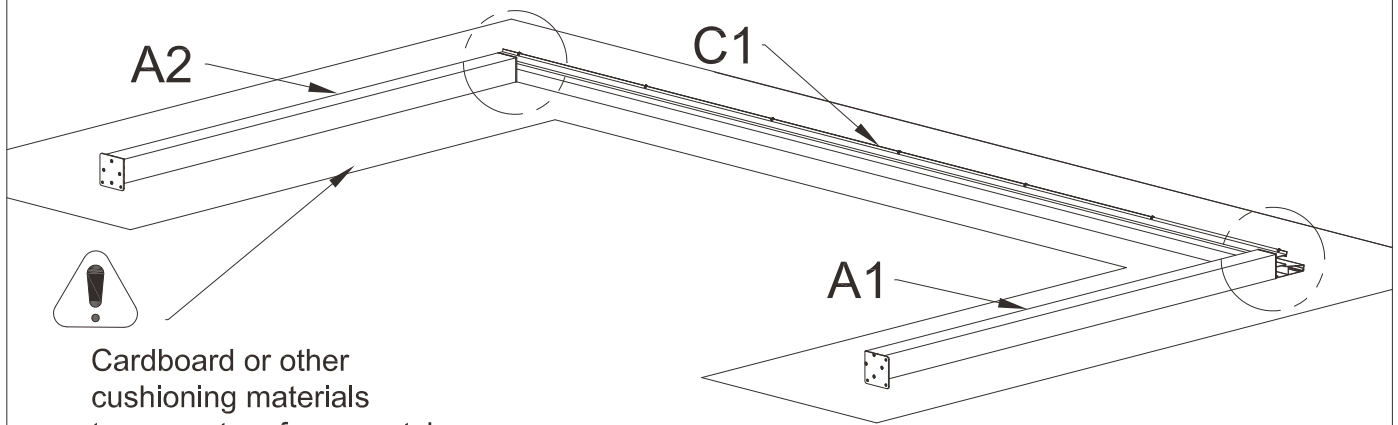
Note that after the installation of the rear beam is completed, waterproof sealant needs to be applied to the joints shown in the diagram. Do not remove or move the rear beam until the glue is completely dry.

S4

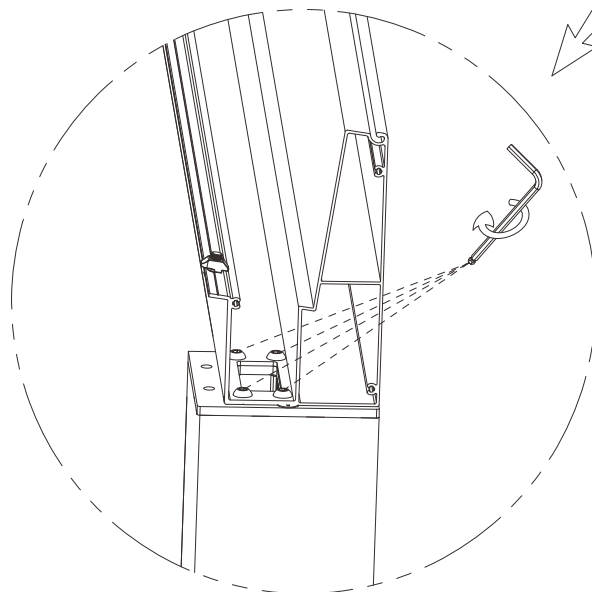
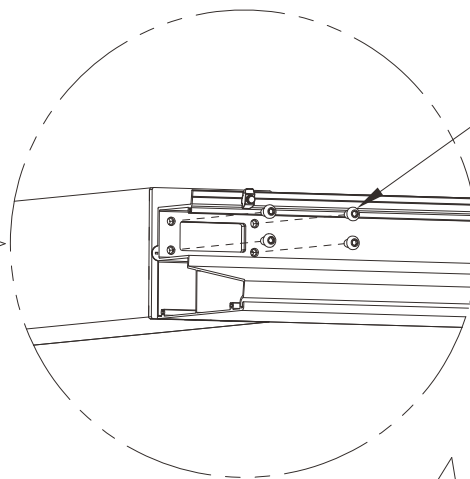
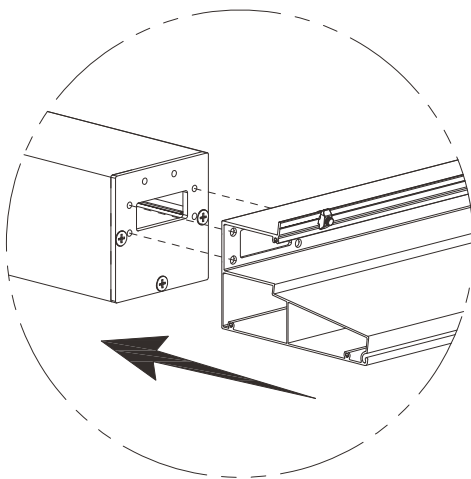


QTY:3/4PCS
M5*50

3.1 Fill the joint between the rear beam and the wall with sealant.

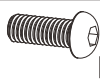


Cardboard or other cushioning materials to prevent surface scratches



x2

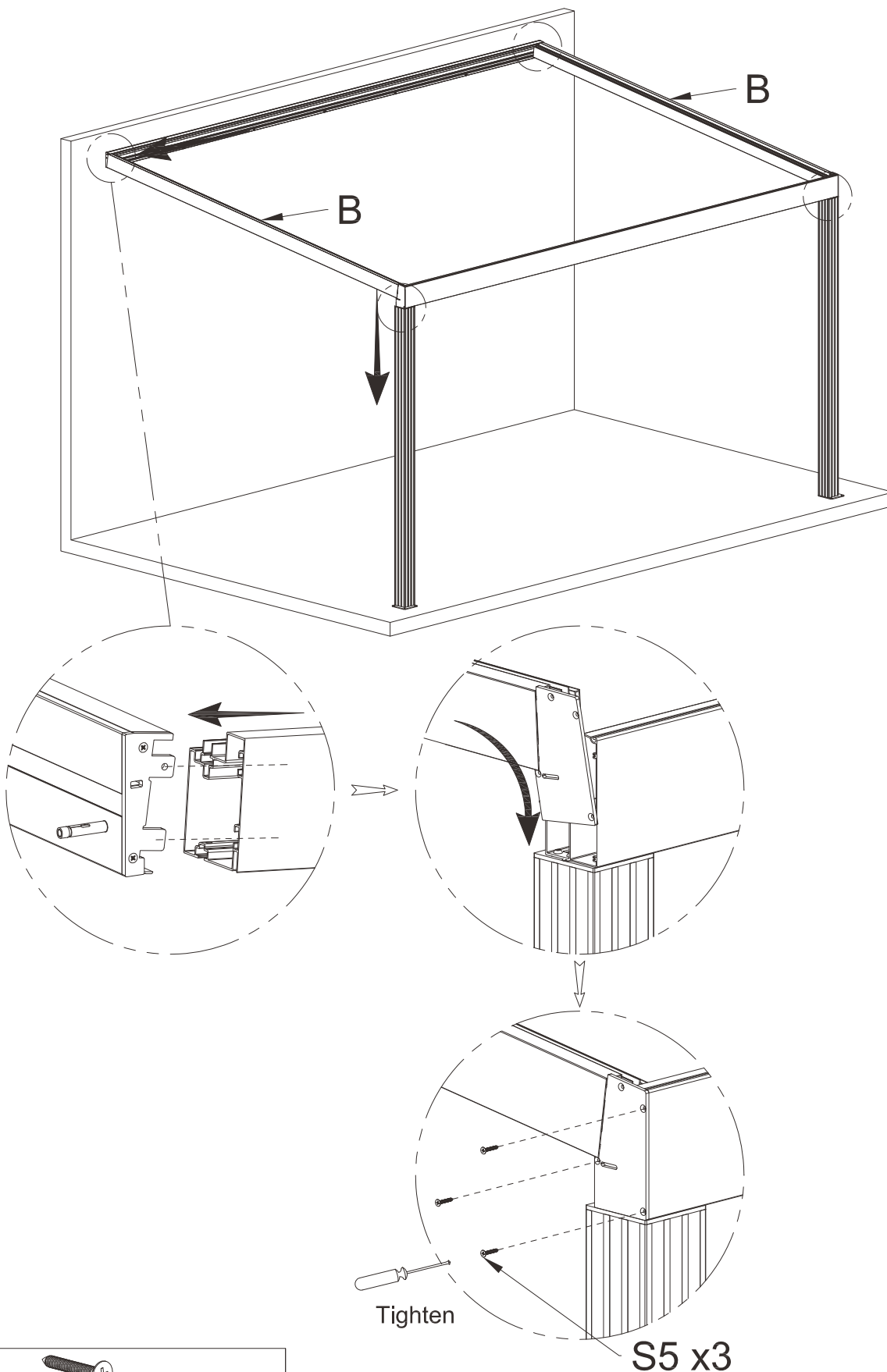
S1



M6*10

QTY:8PCS

3.2 Install the left and right side beams.



S5



ST3.5*25

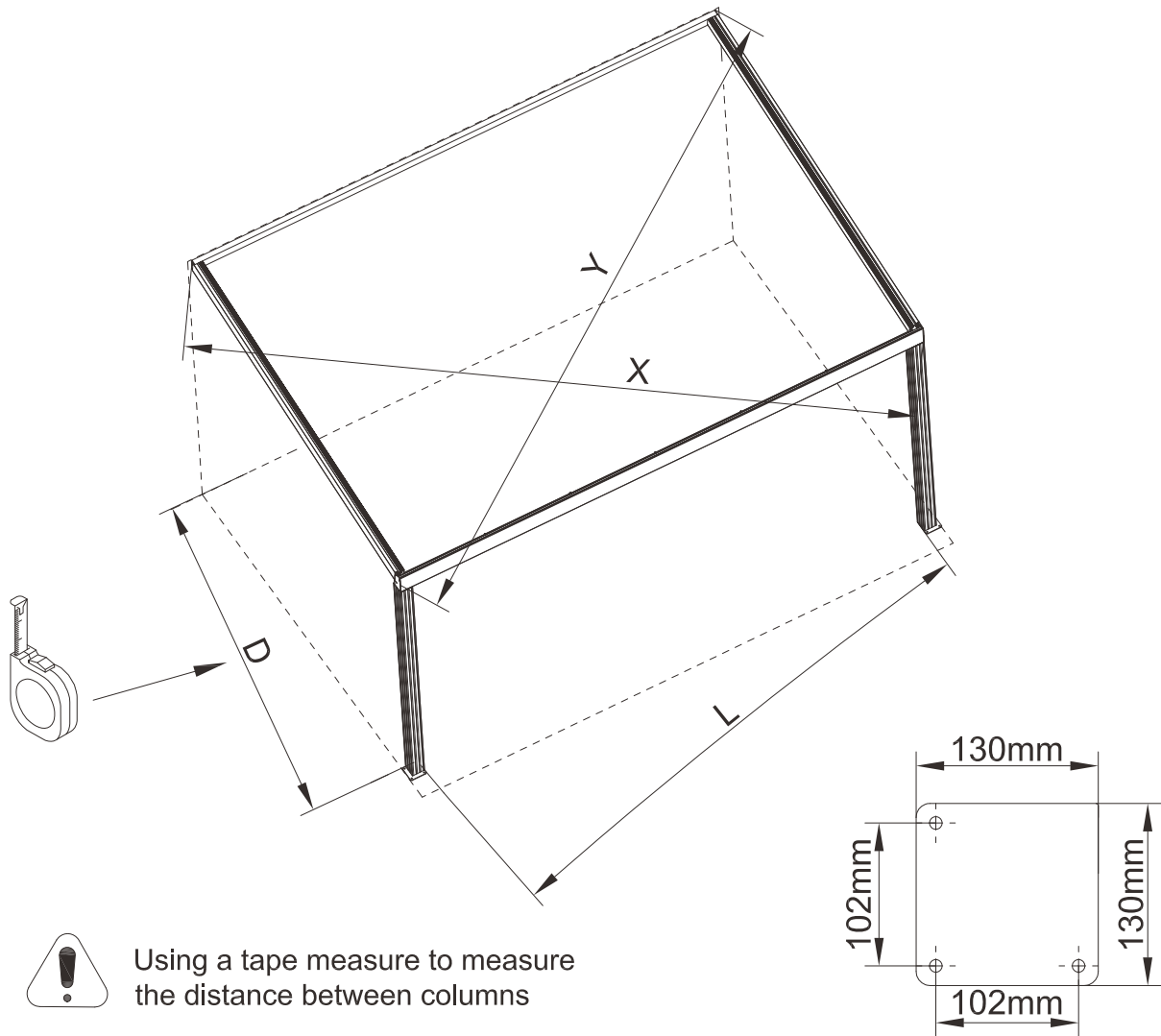
QTY:6PCS

S5 x3

3.3 Measure the distance between the pillars, mark the holes on the bottom plate of the pillars with a marker, lift the pillars left and right, and drill holes with an impact drill.



The error between X and Y should not exceed 1CM

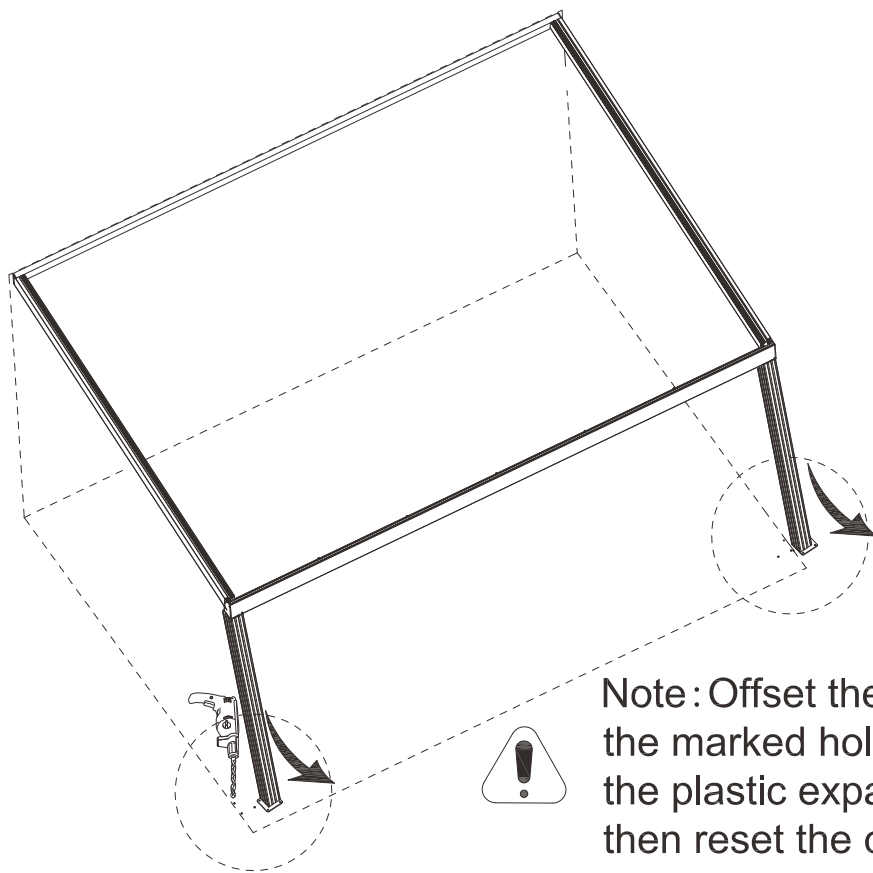


Using a tape measure to measure the distance between columns

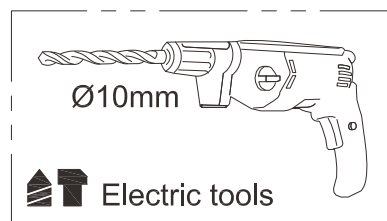
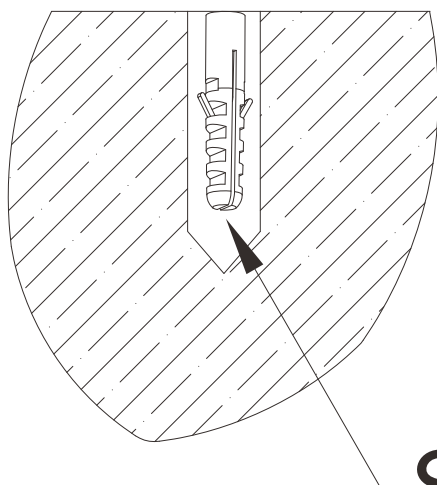
	3.0m*3.0m	4.0m*3.0m	4.3m*3.0m
L	~2706mm	~3698mm	~4109mm
D	~2706mm	~2706mm	~2706mm

	3.0m*4.0m	4.0m*4.0m	4.3m*4.0m
L	~2706mm	~3698mm	~4109mm
D	~3698mm	~3698mm	~3698mm

Offset the pillar to expose the marked hole positions and drill holes with an impact drill.



Note: Offset the column to reveal the marked hole position, install the plastic expansion pipe, and then reset the column.



Drilling depth $\phi 10 \times 65$
There are 6 holes in total

S6

S6



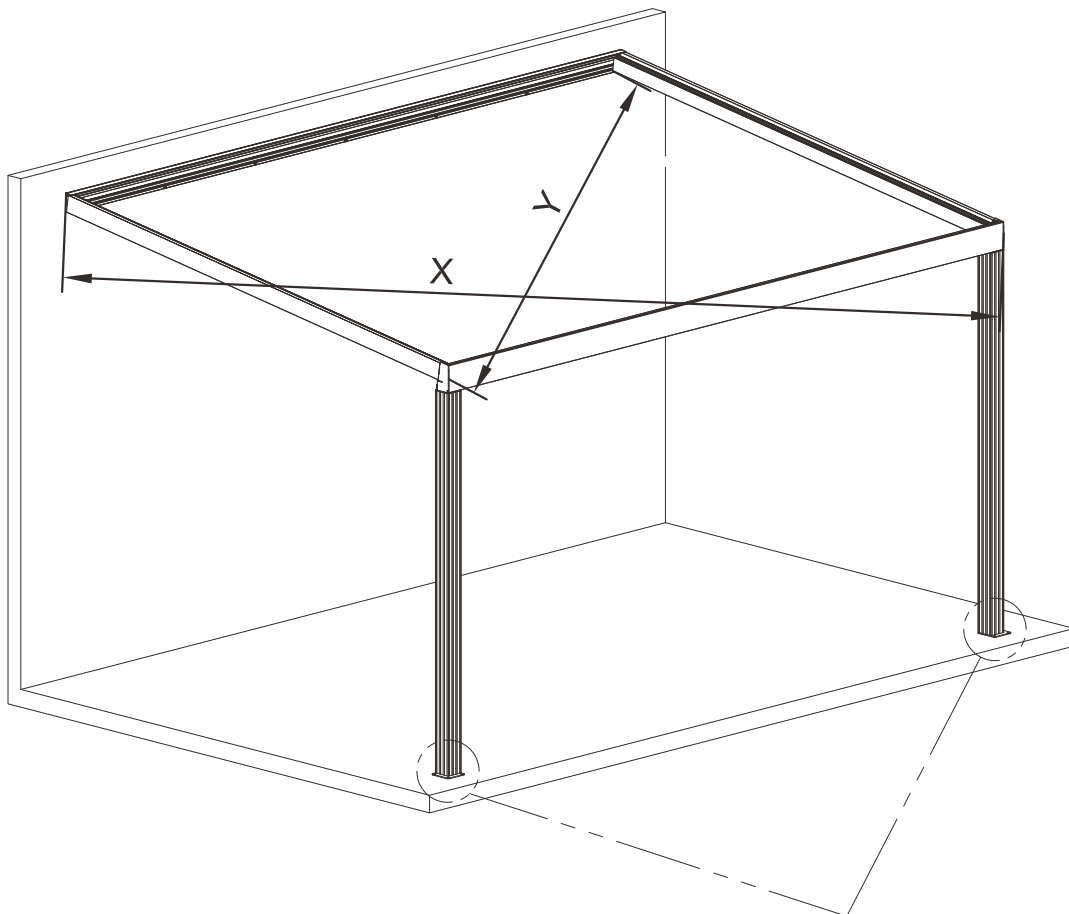
$\phi 10 \times 50$

QTY:6PCS

4. Fixed column

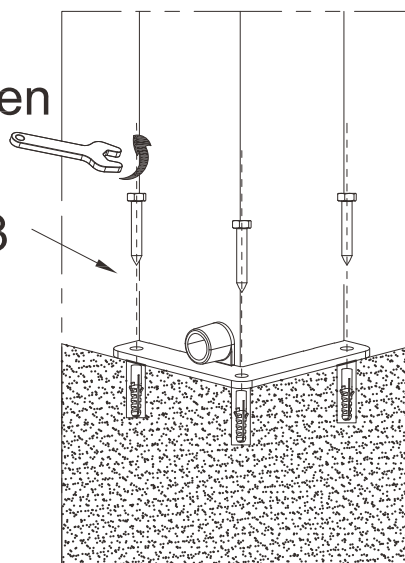


The error between X and Y should not exceed 1CM



Tighten

S6 x3



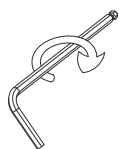
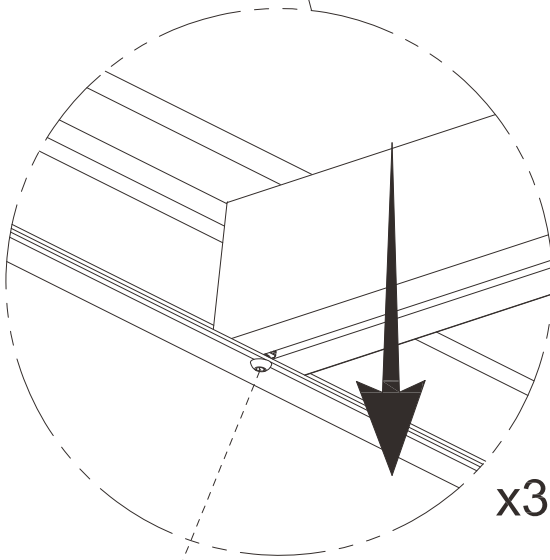
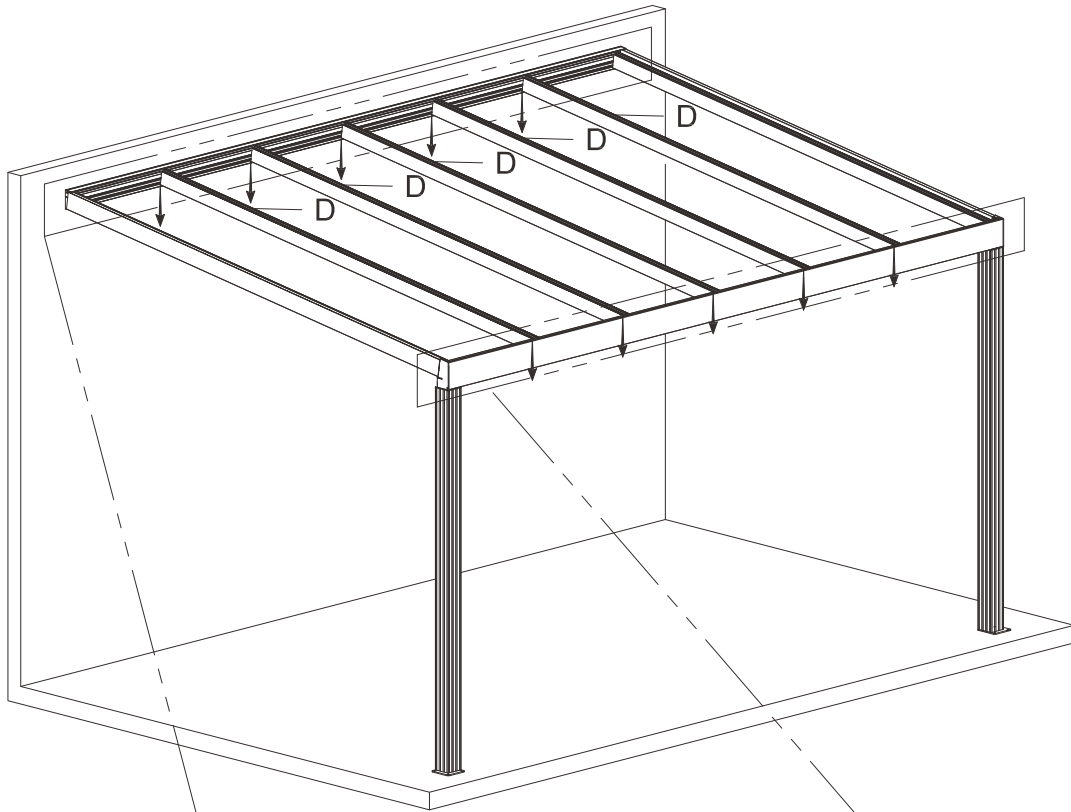
S6

M6*60



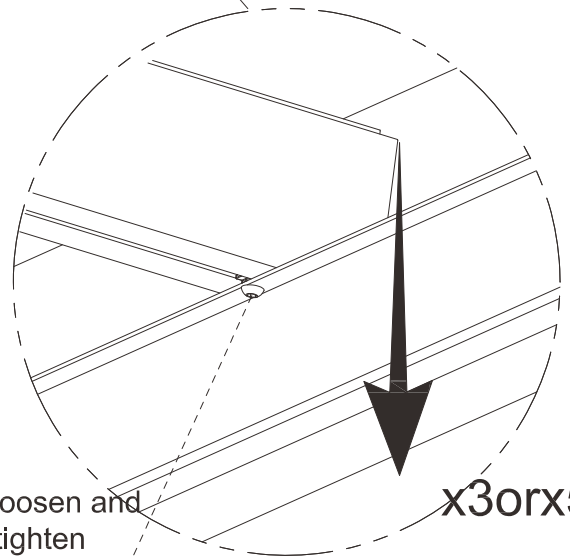
QTY:6PCS

5.1 Install the middle crossbeam.

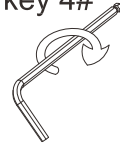


First loosen and
then tighten
Allen key 4#

x3orx5 First loosen and
then tighten
Allen key 4#



x3orx5



D

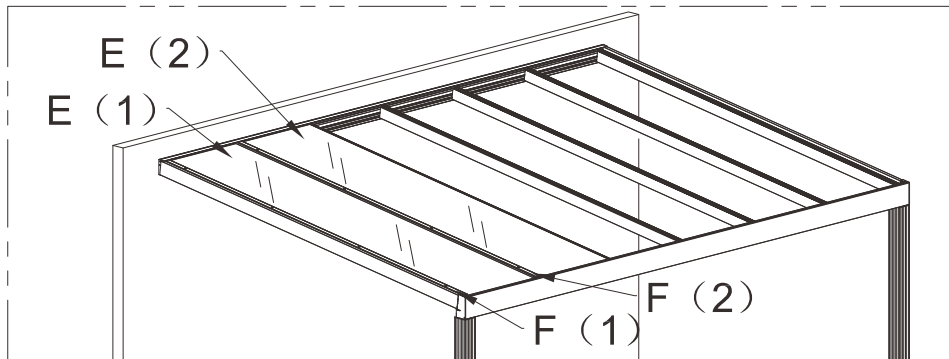


QTY:3or
5PCS

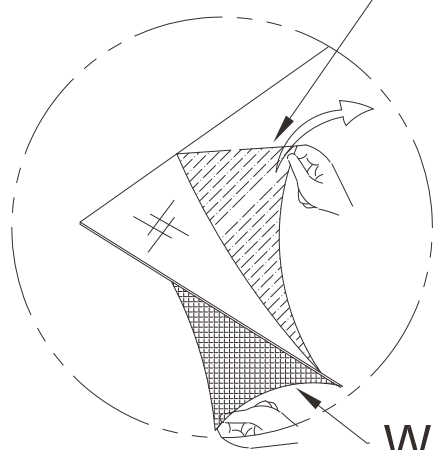
5.2 Install the top plate.

Step 1: Tear off the protective film on the edge of the top plate according to the steps, distinguish the front and back of the top plate, with the front facing upwards.

First, install two top plates, then fix the first pressure strip and pre tighten the second one.



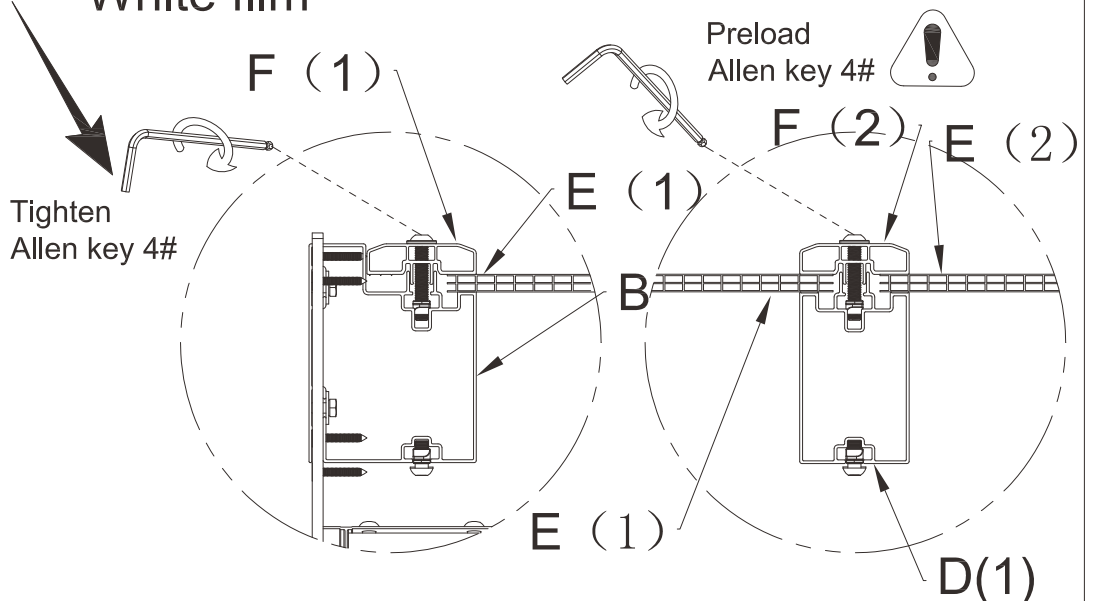
Transparent film



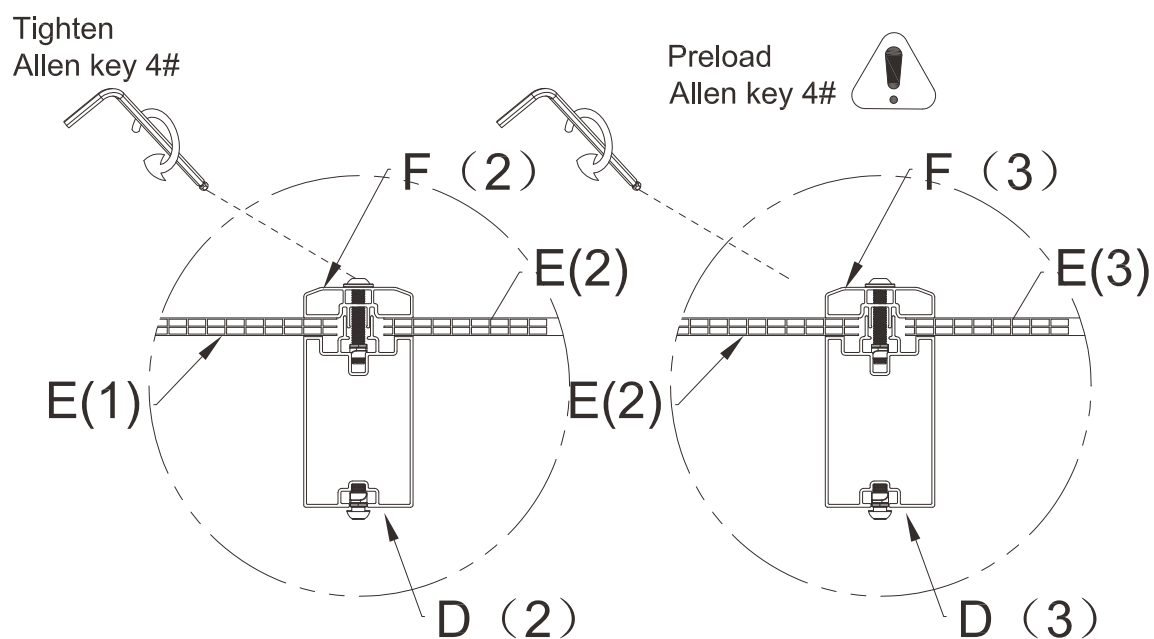
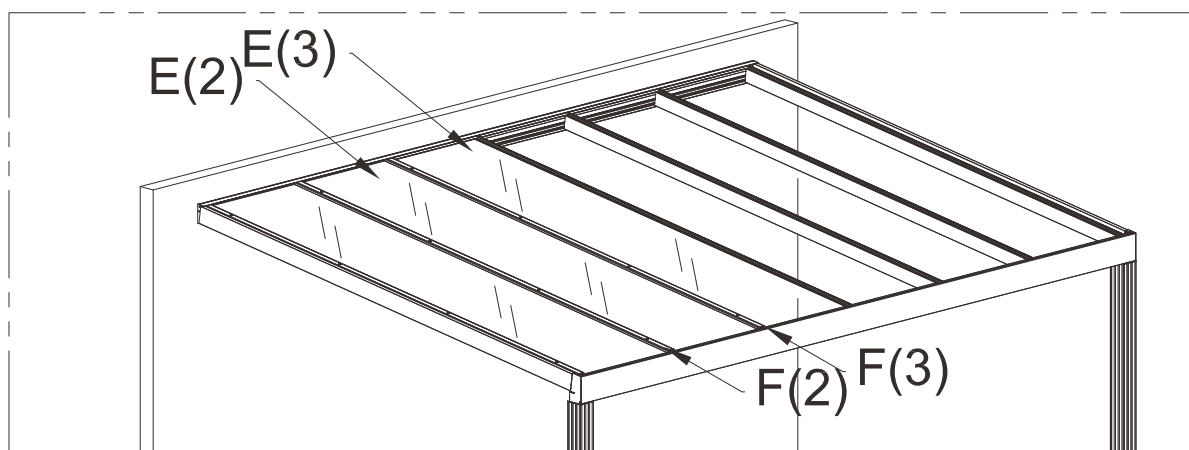
Note:

Tear off protective film (The side covered with the white film should face down, and the side covered with the transparent film should face up; the side covered with the transparent film has UV protection properties.)

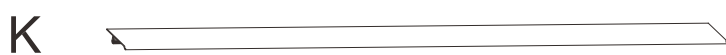
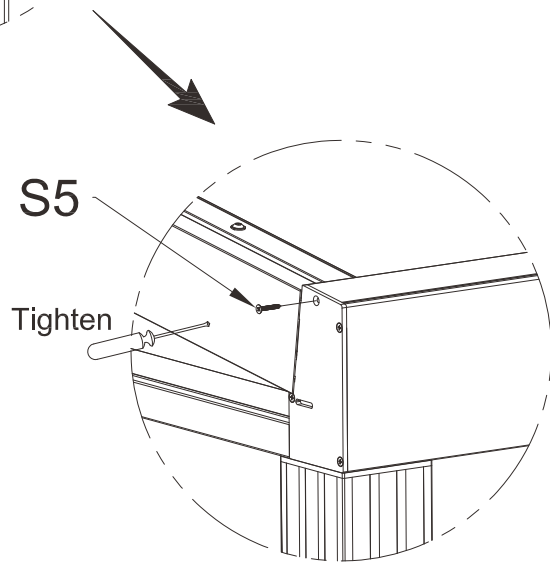
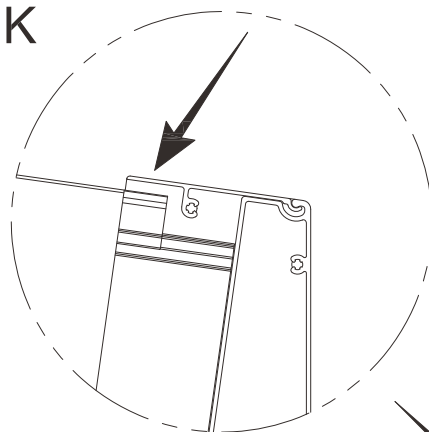
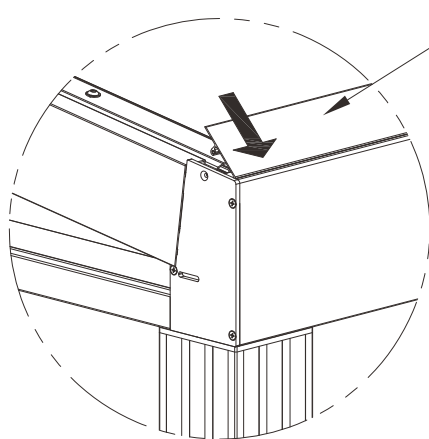
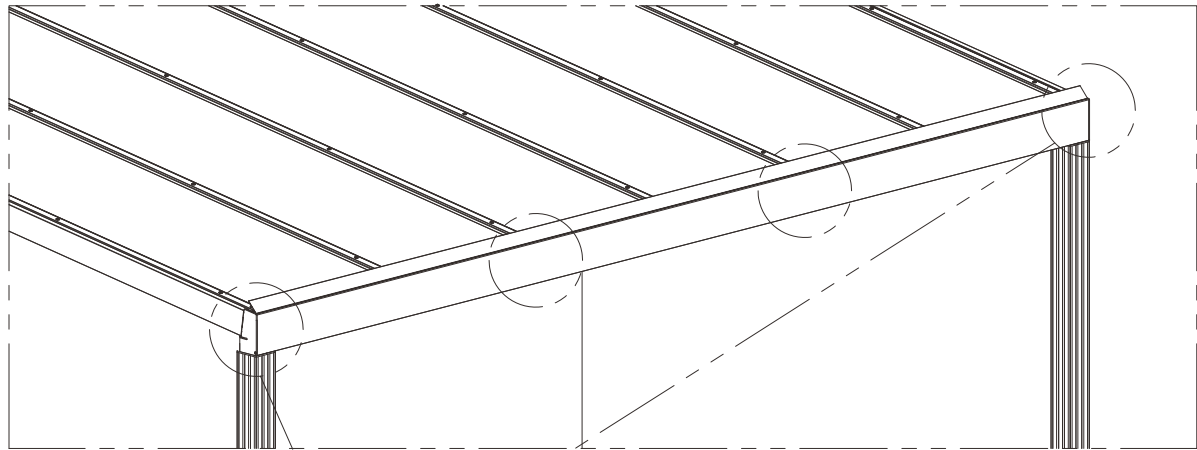
White film



Step 2: Repeat steps 1 and 2 to install all top plates and pressure strips.



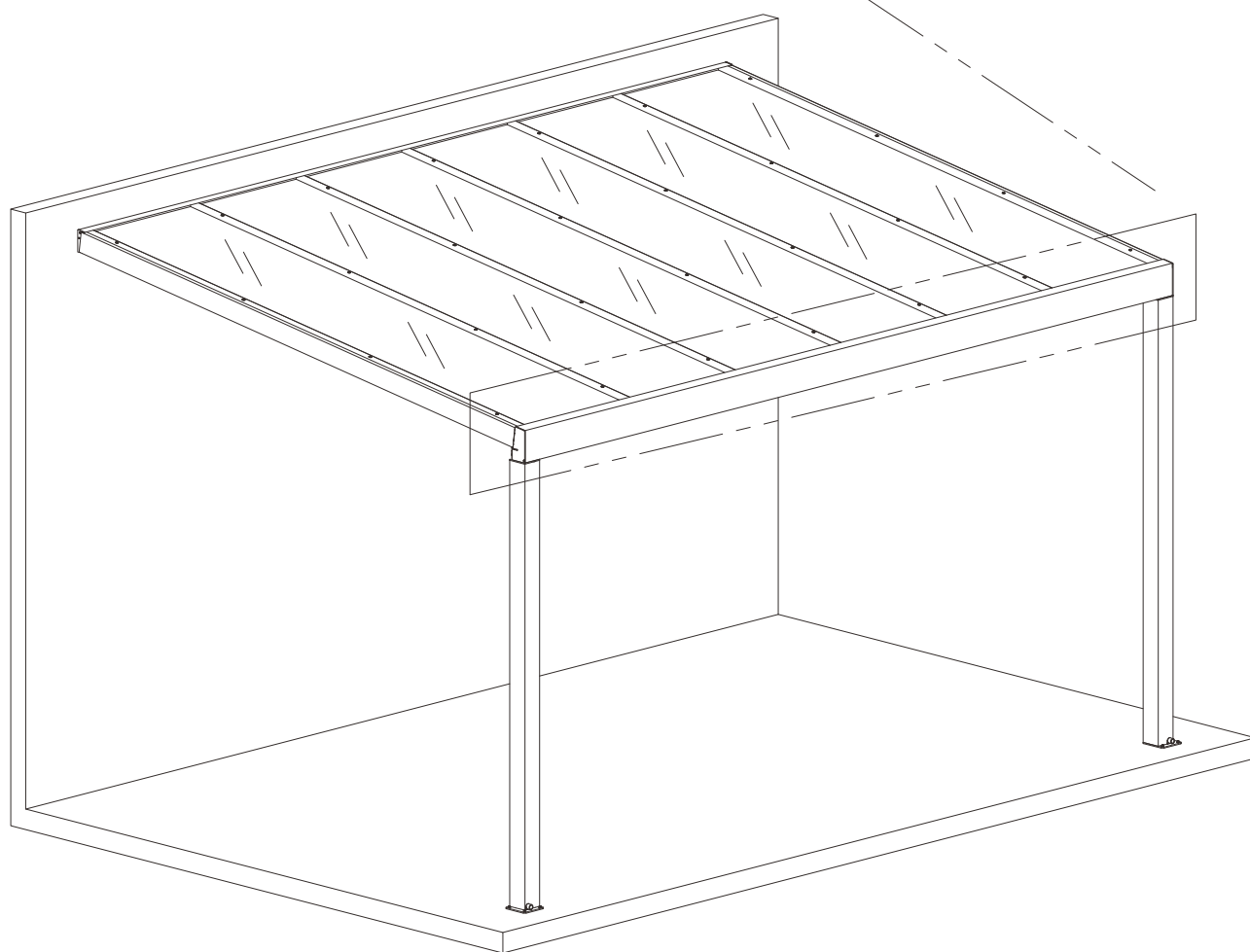
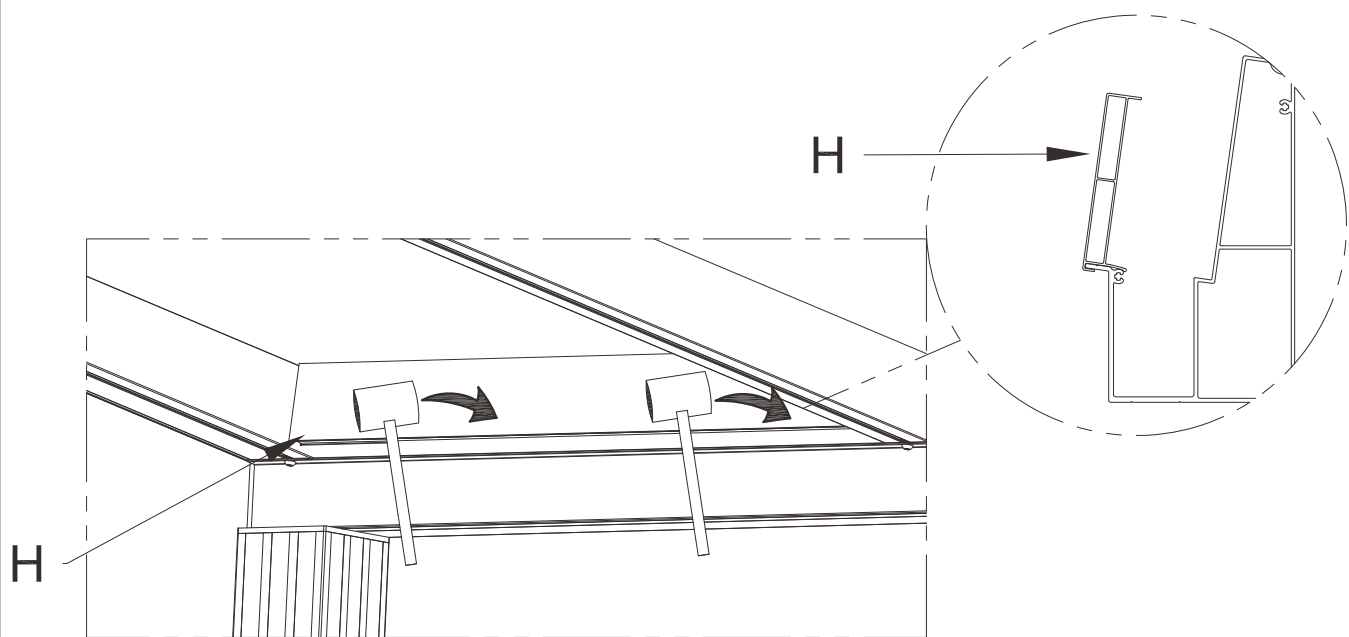
5.3 Install the front beam rain cover plate.



QTY:1PC



5.4 Install sink decorative panel.



H

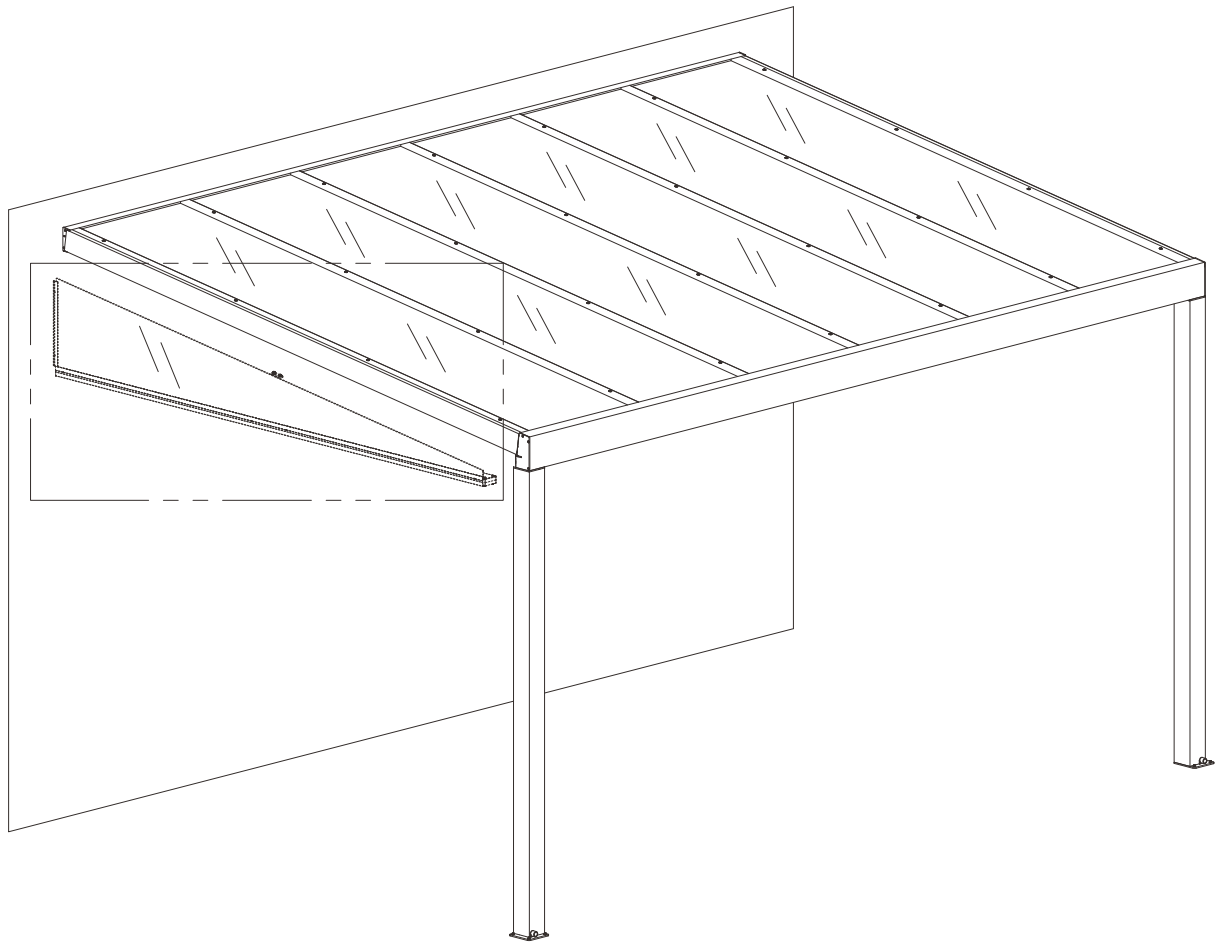


QTY:4/6PCS

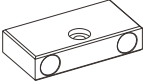
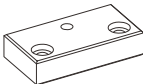
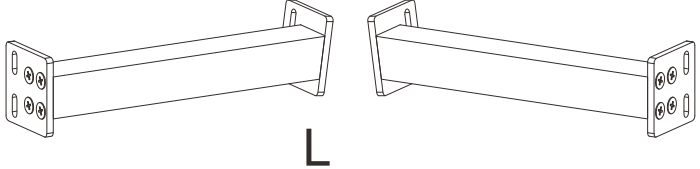
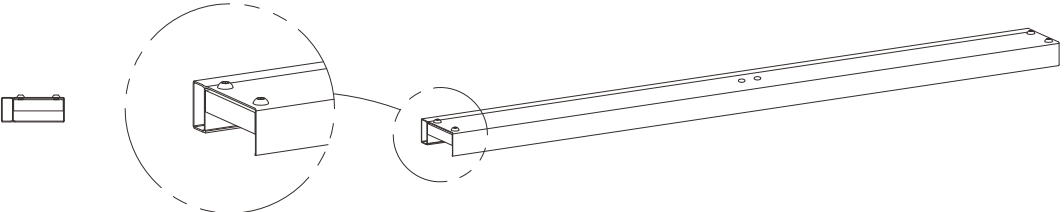

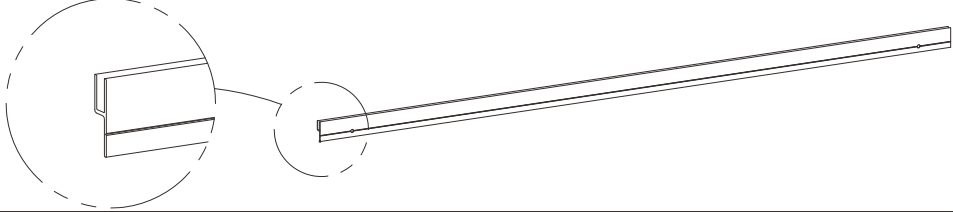
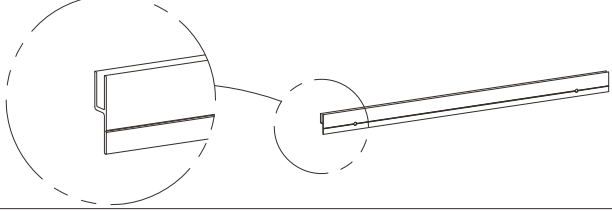
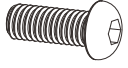
Sunroom

Side triangular window

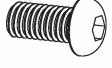


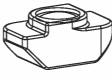
Instructions for Installation



Part List

REF	PHOTO	QTY
W1		2
W2		2
W3		1&1
W4		2
W5		2
W6		2
W7		2
W8	 M6*20	8



Part List

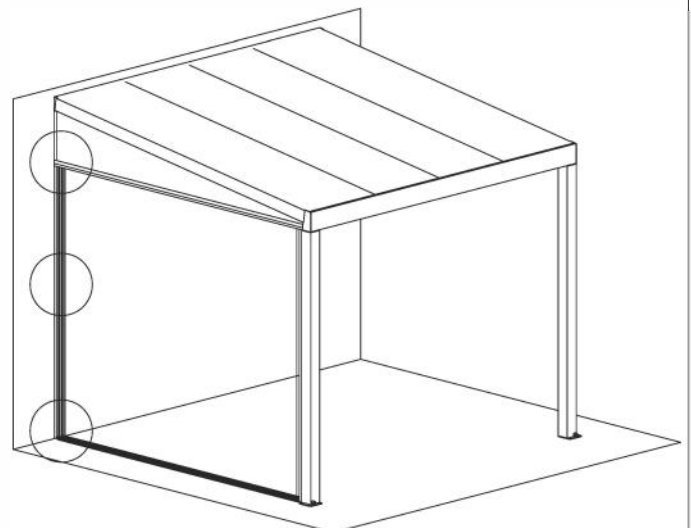
REF	PHOTO	QTY
W9	 M6*14	8
W10	 C-ST4.2*13	8
W11	 M5*50 & φ8*45	4
W12	 T Nut	4

Note:

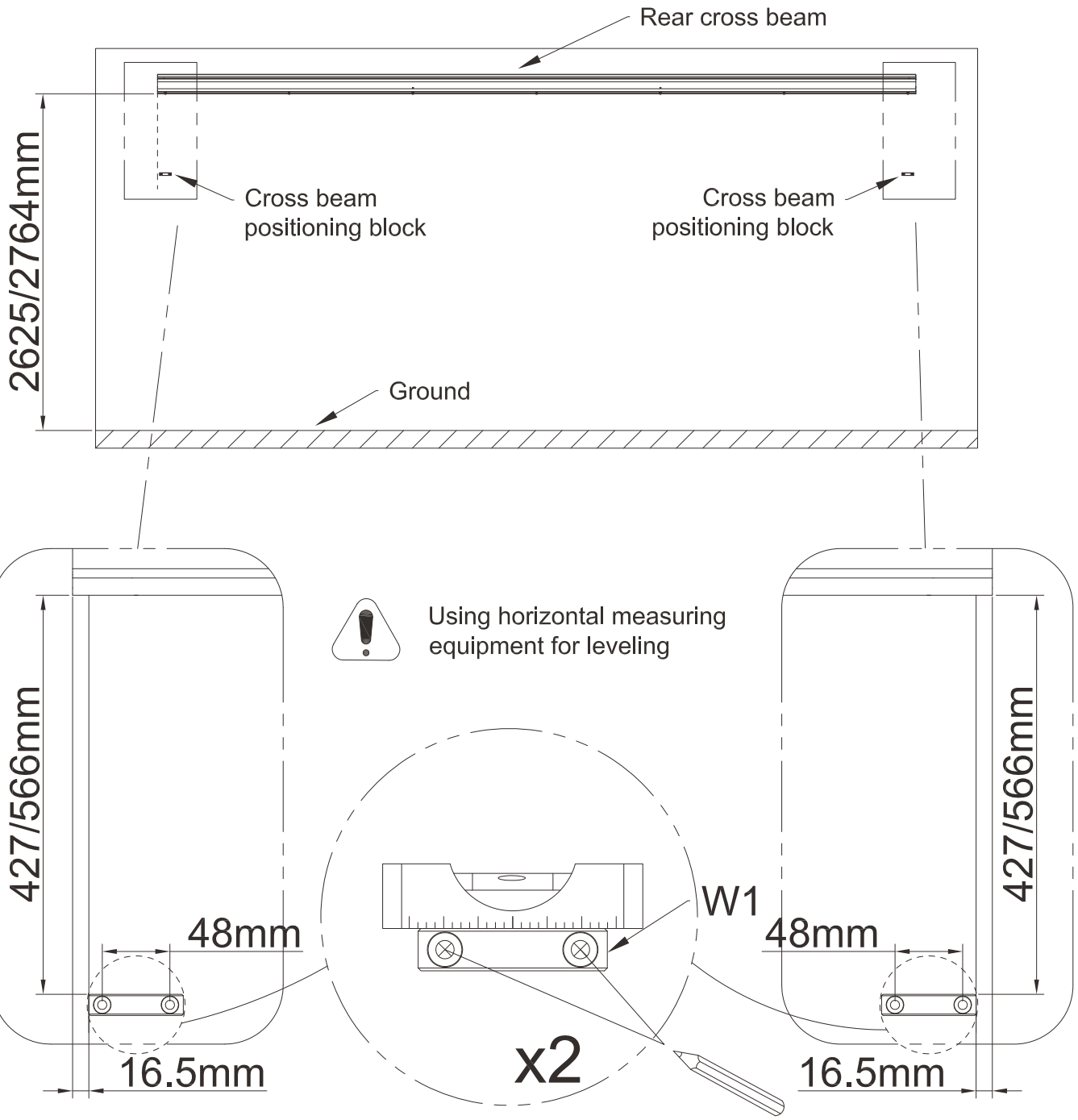


This fastener is used for wall-mounted installation of sliding door tracks. If you have not purchased our sliding door products, please ignore this. If you have purchased them, refer to Pages 8-11 for detailed usage instructions (the anti-collision pad is an accessory for the sliding door).

REF	PHOTO
I	 6 pcs φ6*40
	 6 pcs ST4.2*55

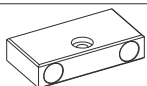


1.1 Use the height of the rear cross beam, the mounting blocks, and a level to make measurements on the wall, and mark the positions with a marker for reference.



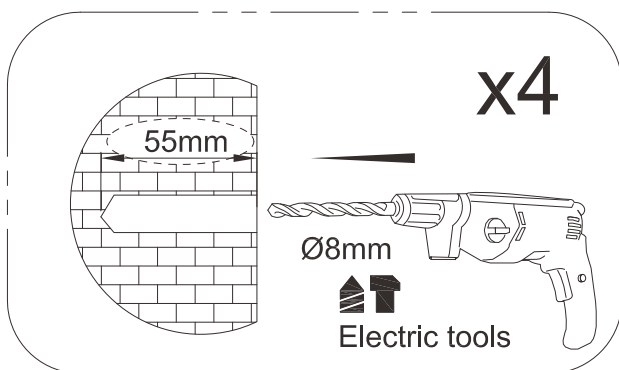
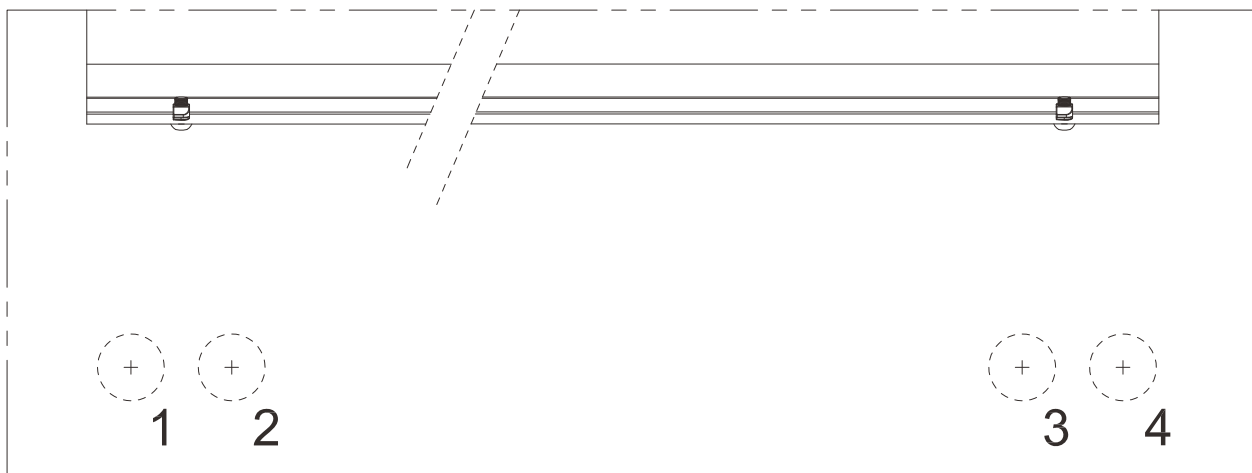
Mark the wall with a marker pen

W1

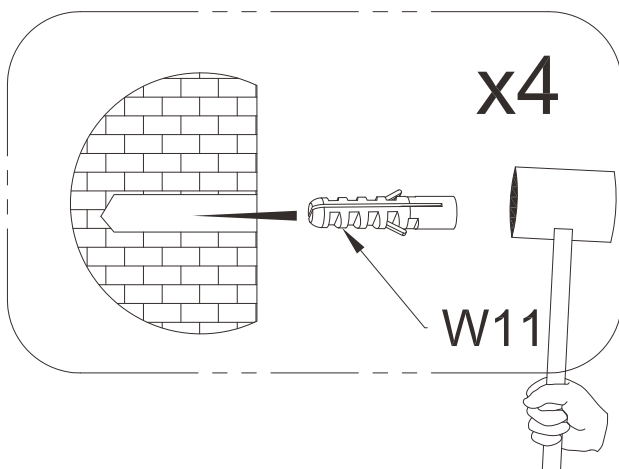


QTY:2PCS

1.2 Based on the measured dimensions and markings, four holes need to be drilled.



Drill 4 holes on the wall using an impact drill



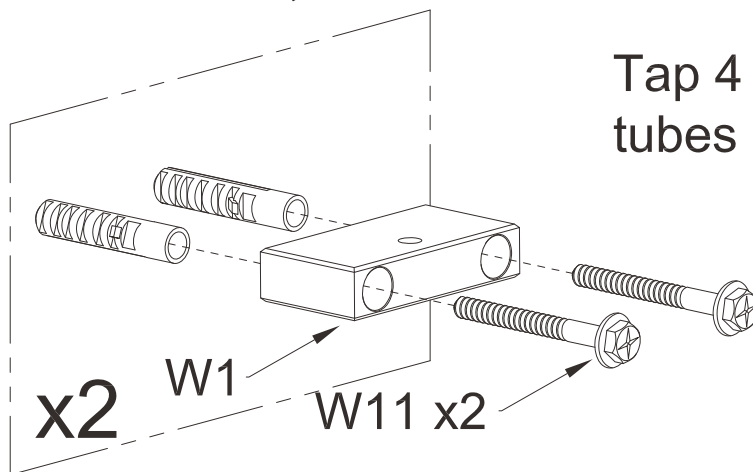
Tap 4 plastic expansion tubes into the holes.


W11



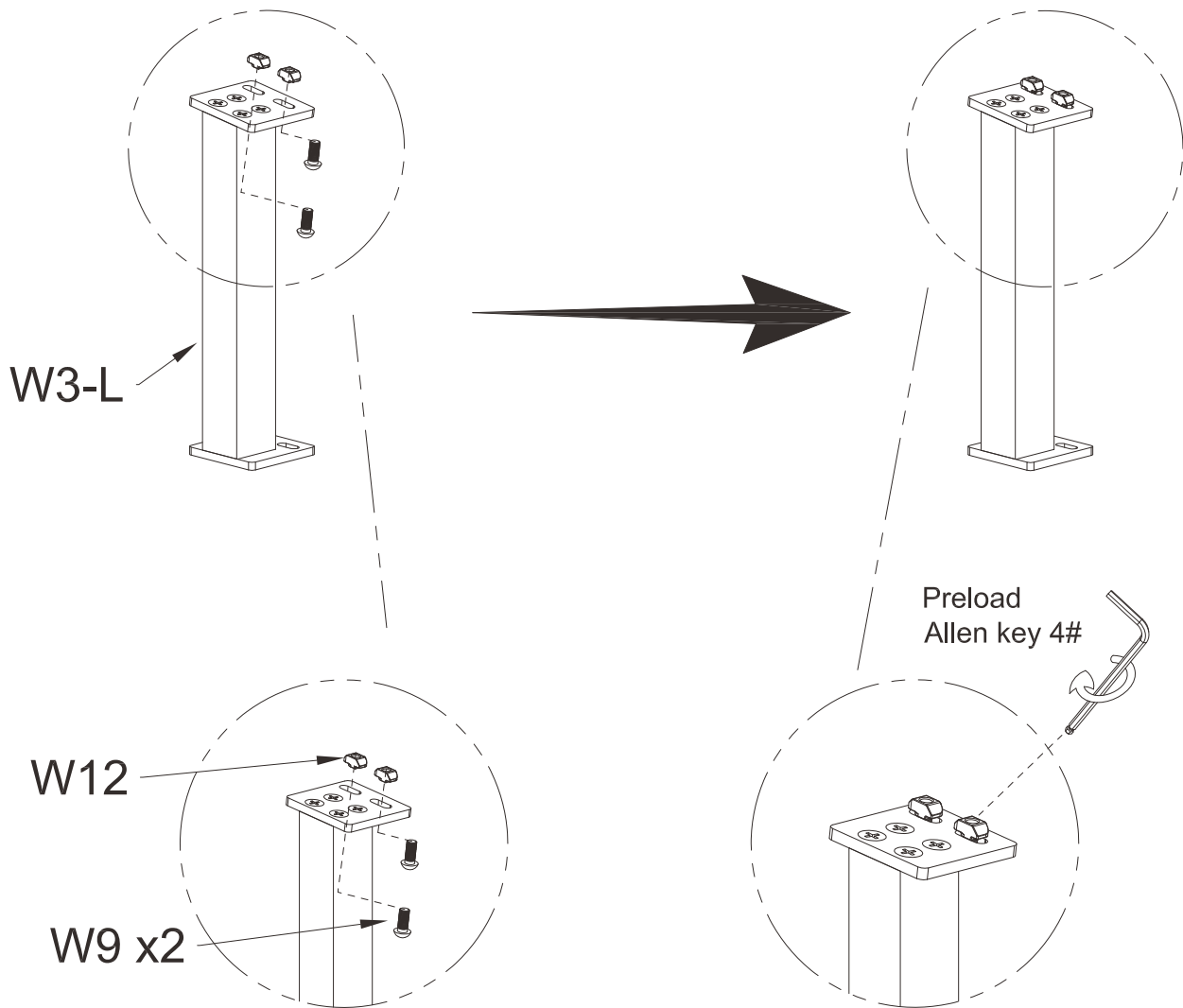
QTY:8PCS

1.3 Install the cross beam positioning block.



W11  **M5*50** QTY:4PCS

2.1 Assemble two sets of short support components.



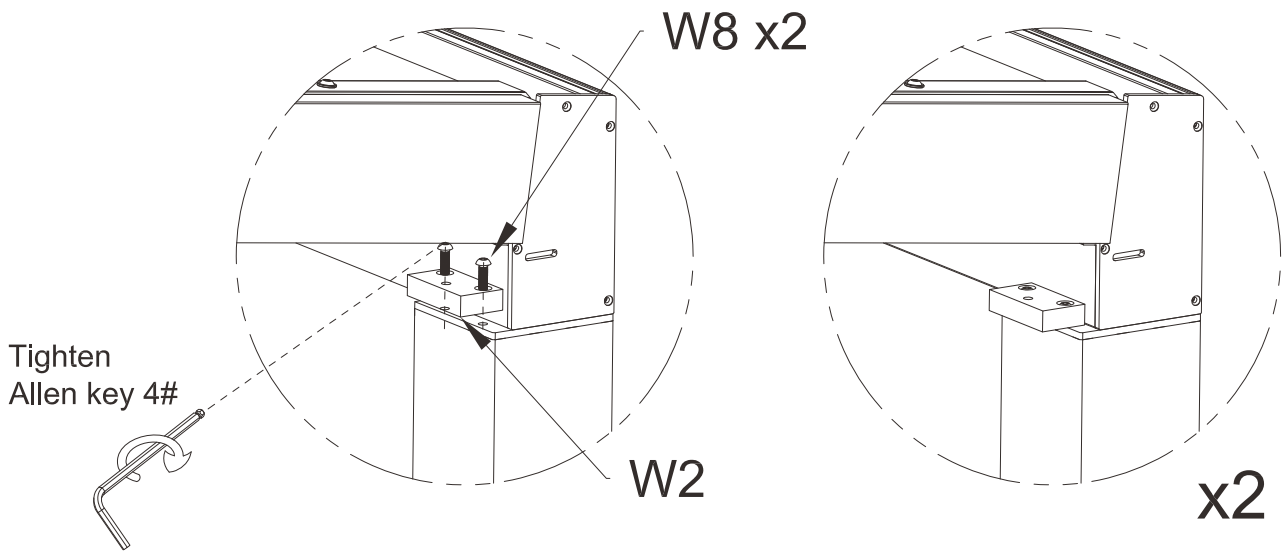
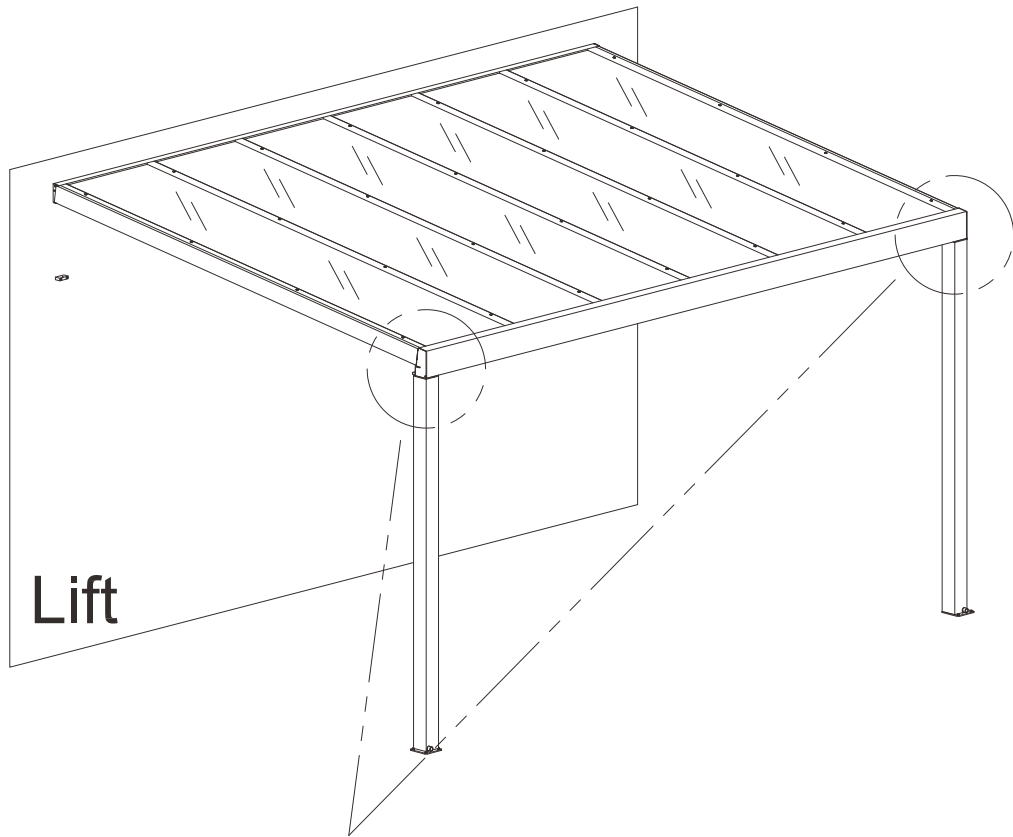
The assembly method for the right short support piece is the same as the left one.

W3  QTY:2PCS

W9  M6*14 QTY:4PCS

W12  T Nut QTY:4PCS

2.2 Install the cross beam positioning block.



W2



QTY:2PCS

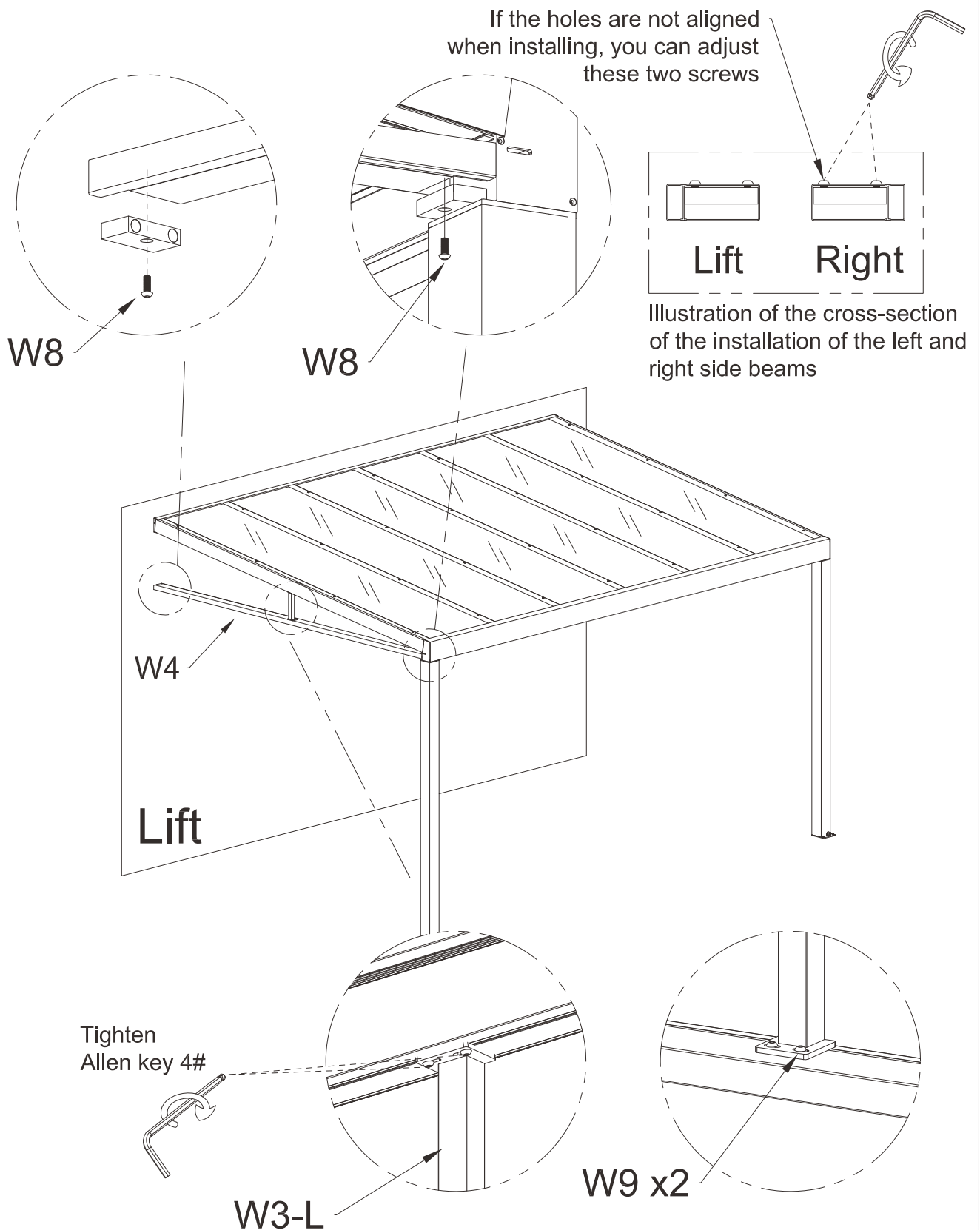
W8



M6*20

QTY:4PCS

2.3 Install the crossbeam (The illustration shows the installation of the left triangular window, the same as the right.)



W8



QTY:4PCS

W9

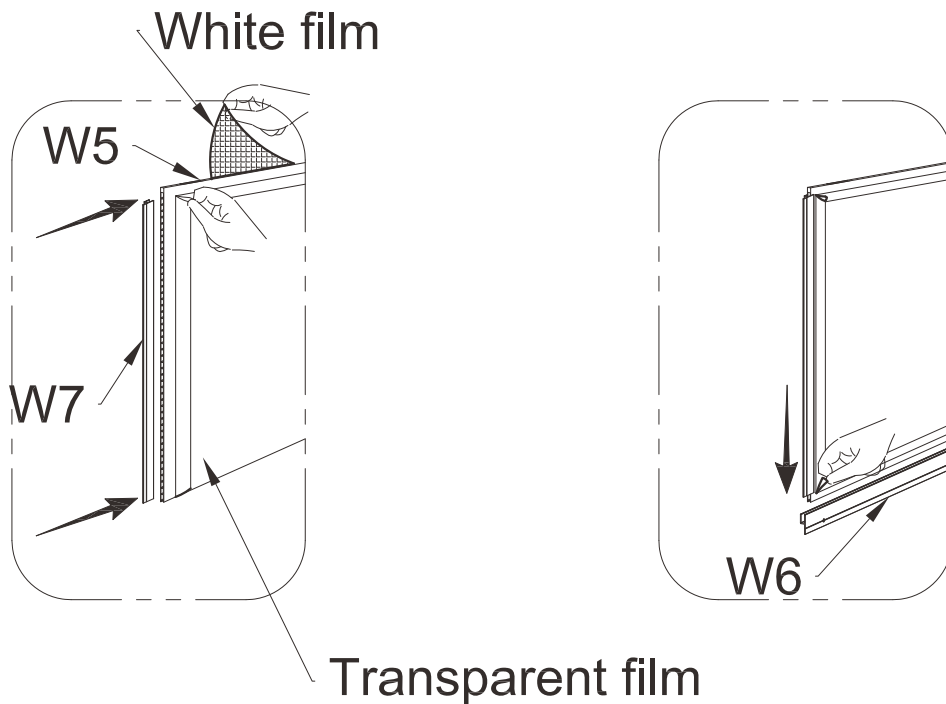


QTY:4PCS

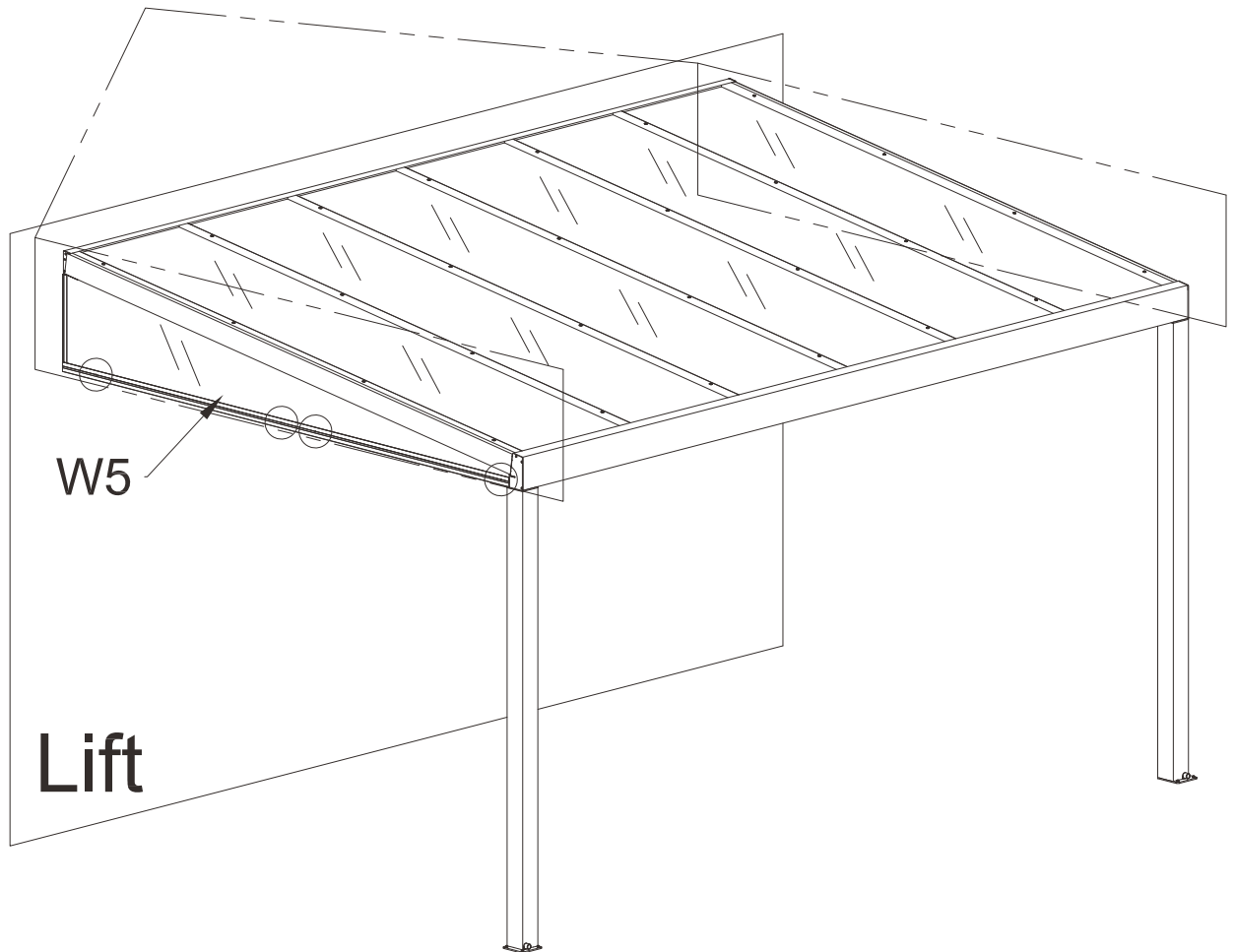
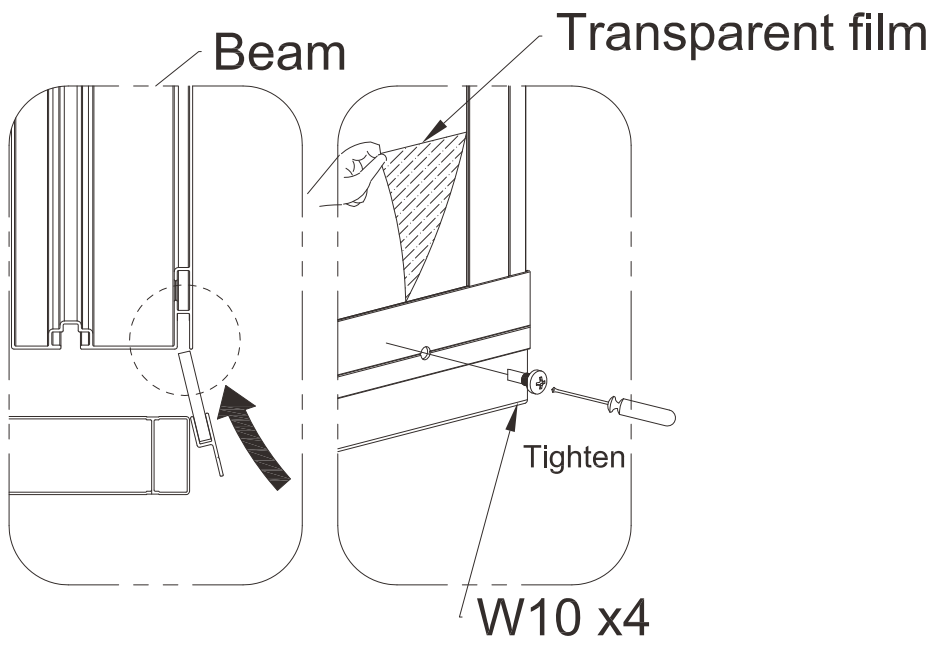
2.4 Install triangular windows and secure them in place.

Note:

Tear off protective film (The side covered with the white film should face down, and the side covered with the transparent film should face up; the side covered with the transparent film has UV protection properties.)

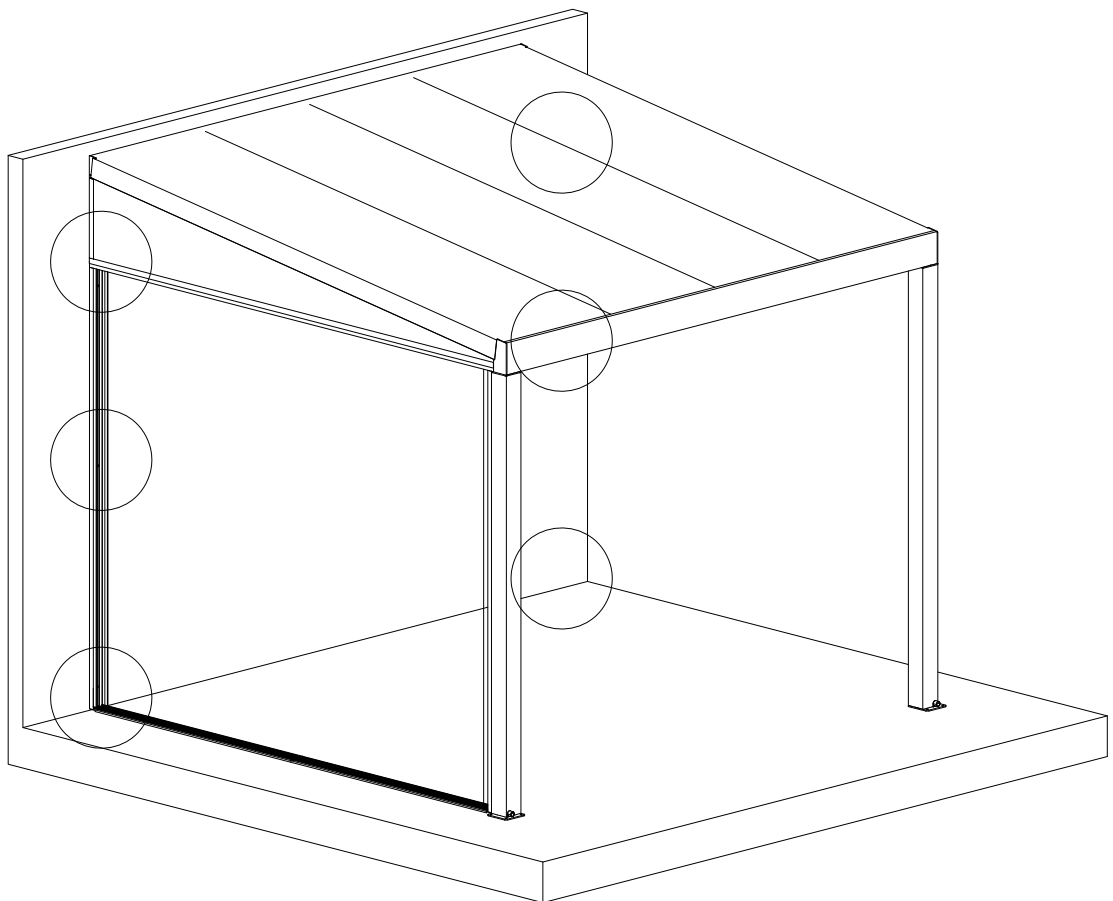


W5		QTY:2PCS
W6		QTY:2PCS
W7		QTY:2PCS



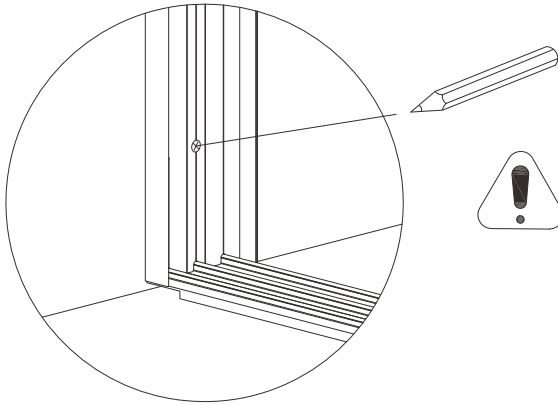
W10  QTY:8PCS
C-ST4.2*13

Wall-Mounted Track Fixing Method

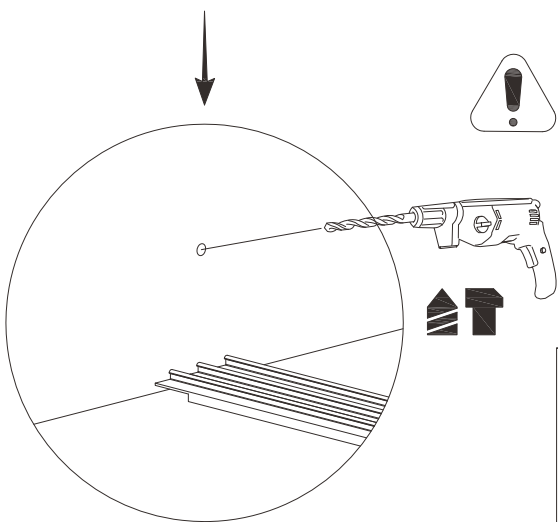


Fixed the side track for sliding louver wall

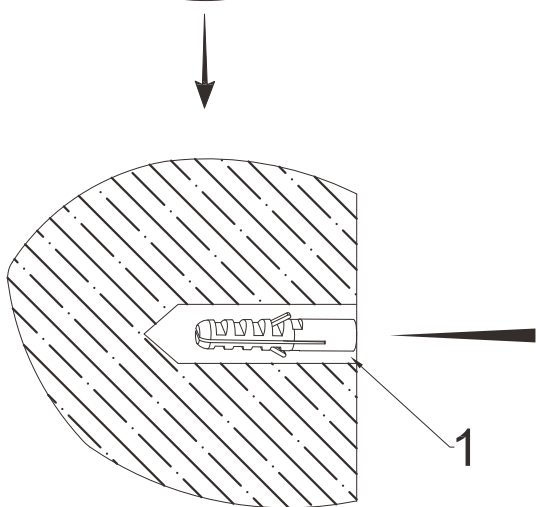
1) Using the door frame to position on the wall and drill holes;



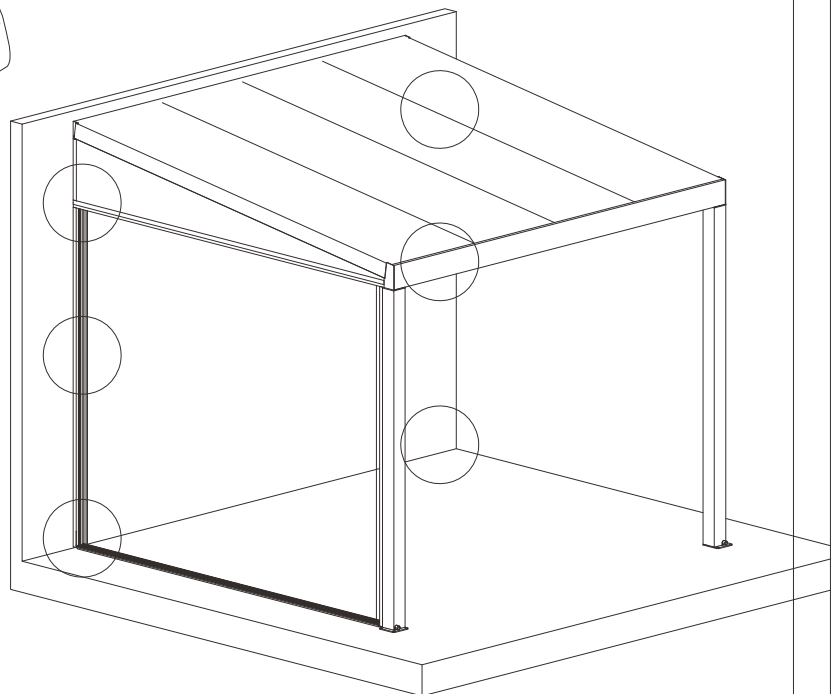
Knock the plastic expansion tube into the drilled hole



Drilling depth $\phi 6 \times 60$
There are 6 holes in total



1



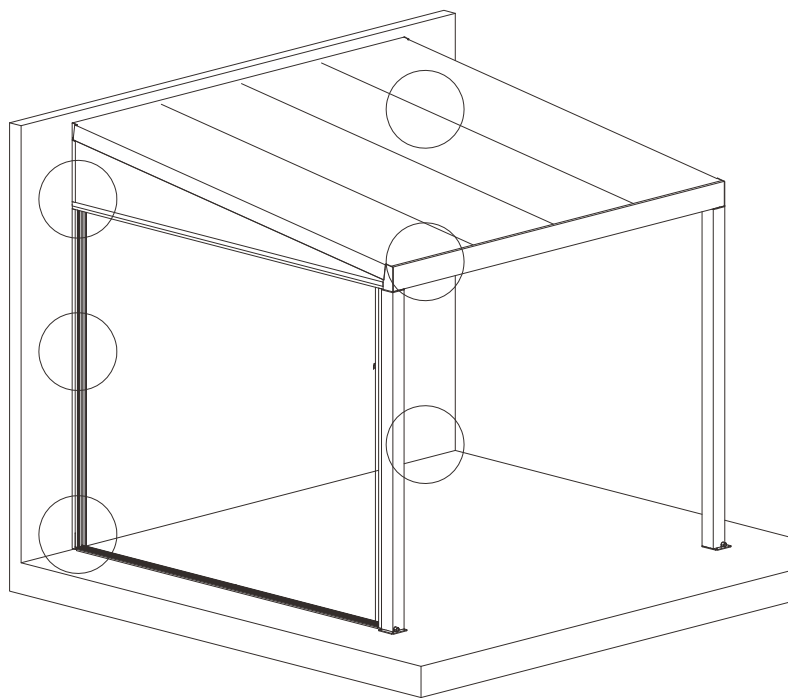
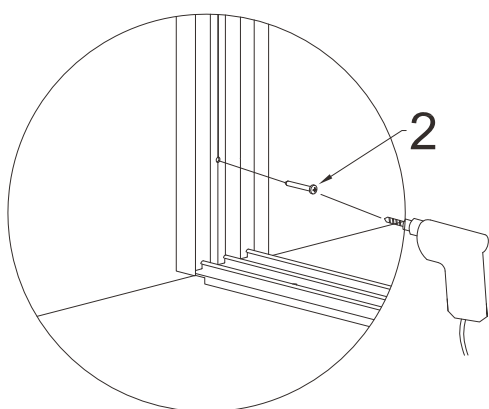
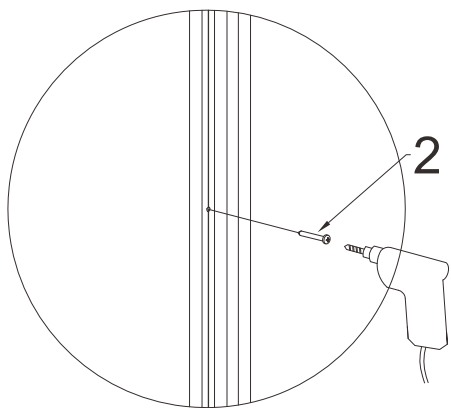
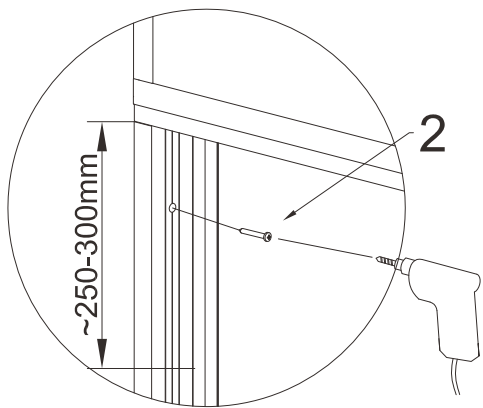
1



$\phi 6 \times 40$

QTY:6PCS

2) Fixed the side track



2

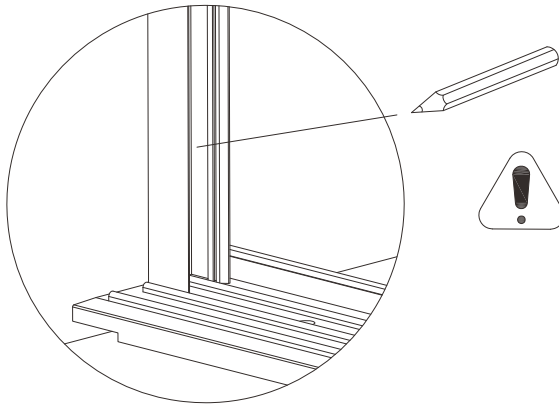


ST4.2*55

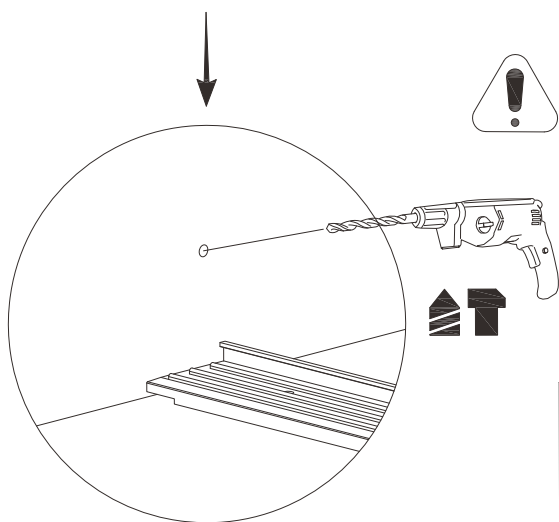
QTY:6PCS

Fixed the side track for sliding door

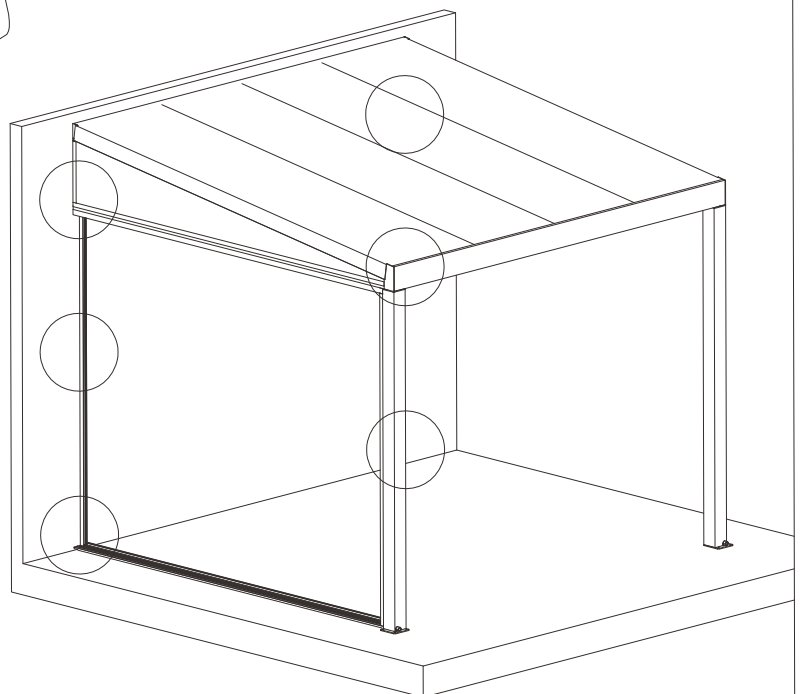
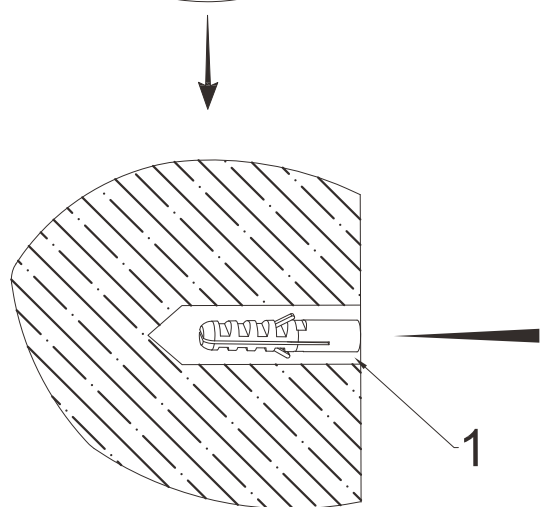
1) Using the door frame to position on the wall and drill holes;



Knock the plastic expansion tube into the drilled hole



Drilling depth $\phi 6 \times 60$
There are 6 holes in total



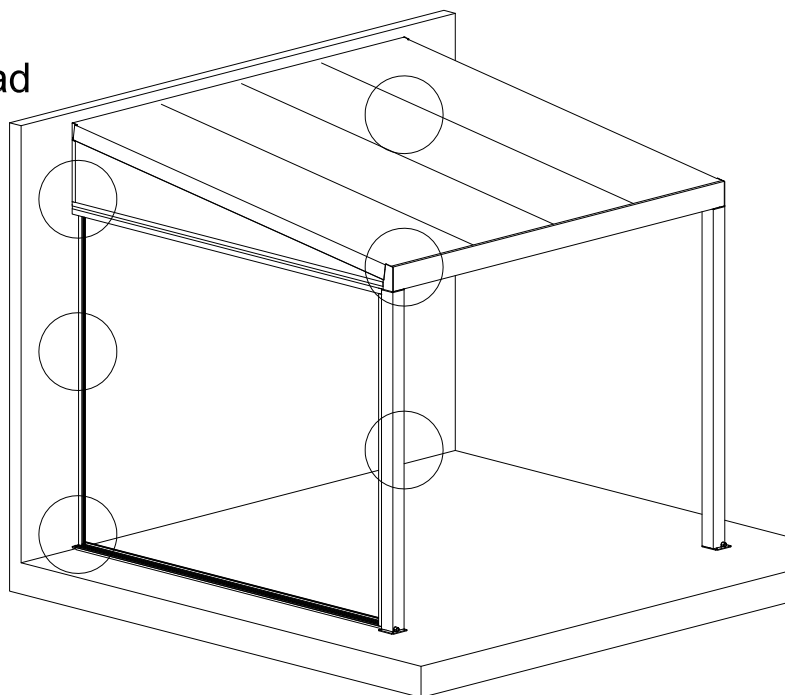
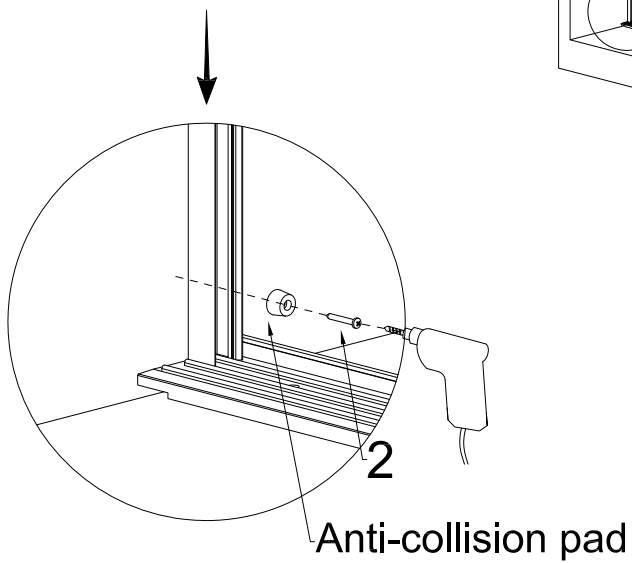
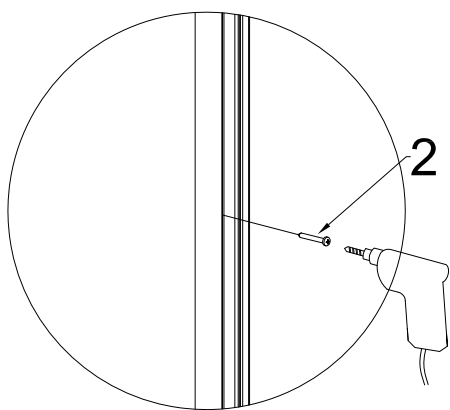
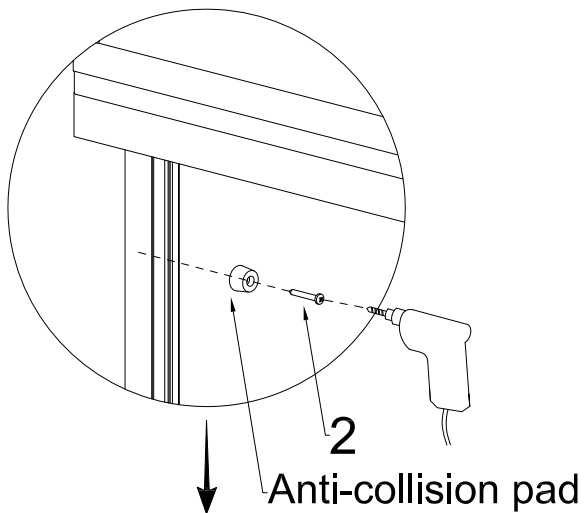
1



$\phi 6 \times 40$

QTY:6PCS

2) Fixed the side track;



2  QTY:6PCS
ST4.2*55

Contact information

Austria



Belgium



Croatia



Denmark



Estonia



Finland



France



Germany



Ireland



Italy



Latvia



Lithuania



Nederland



Norway



Poland



Portugal



Spain



Sweden



Switzerland



UK

