

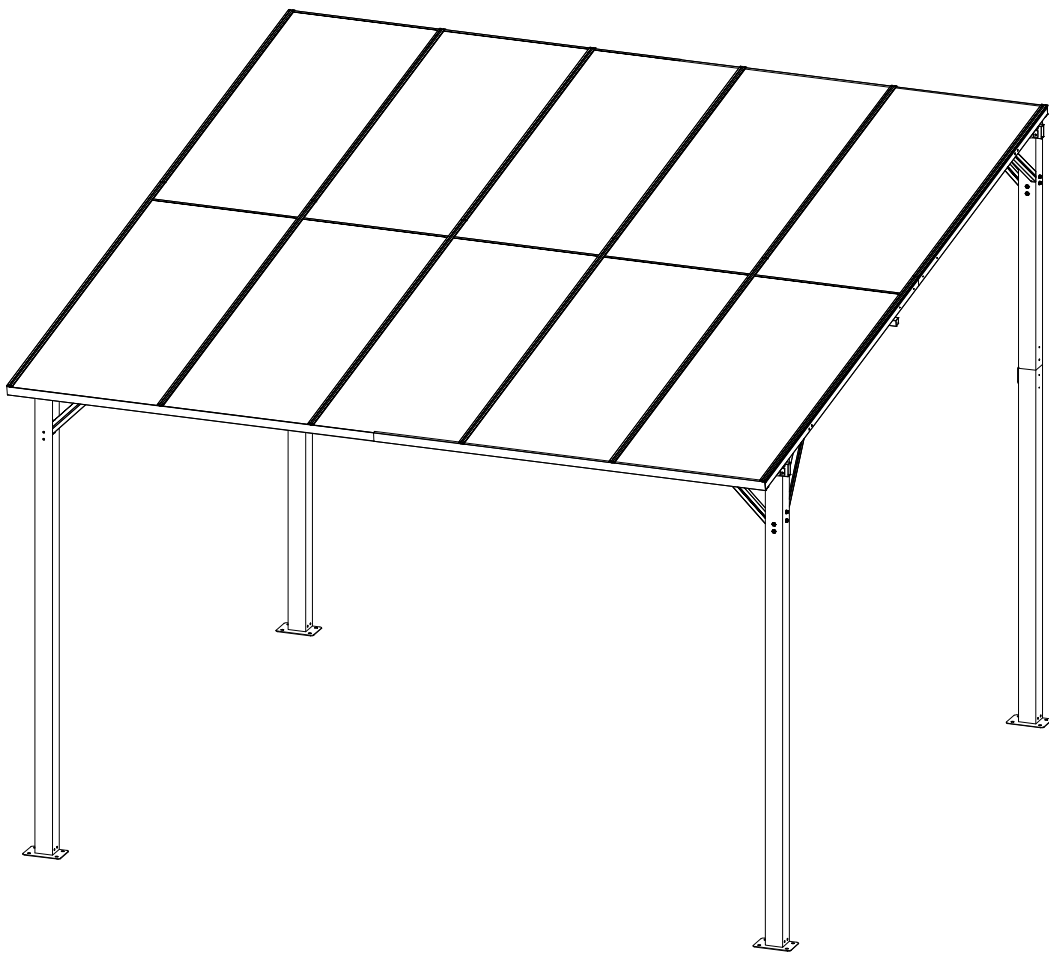
DANCOVER[®]

.com

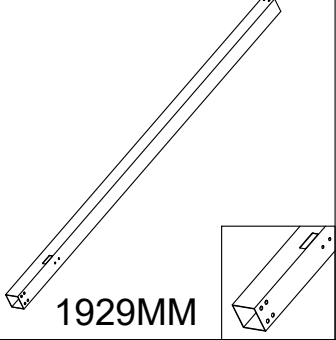
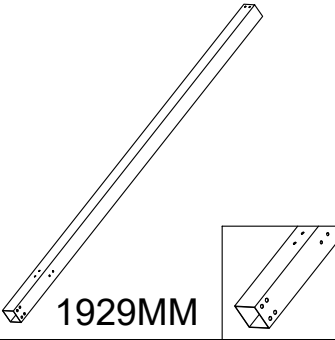
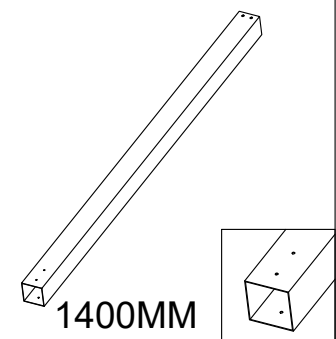
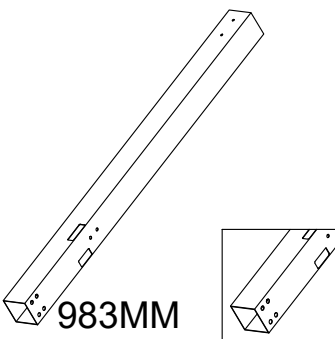
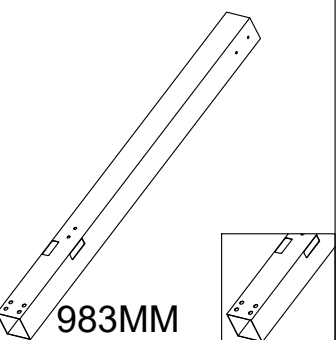
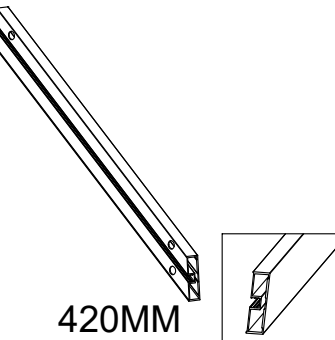
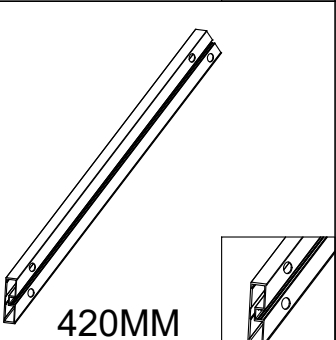
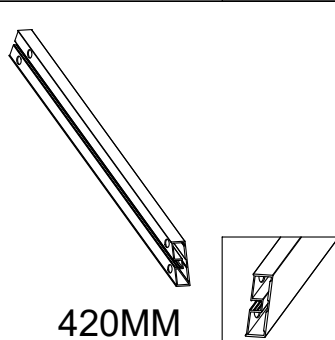
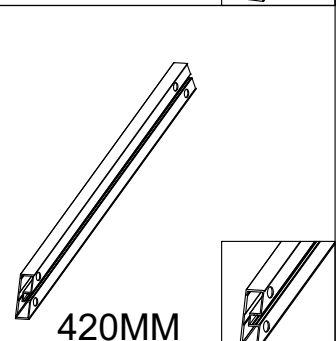
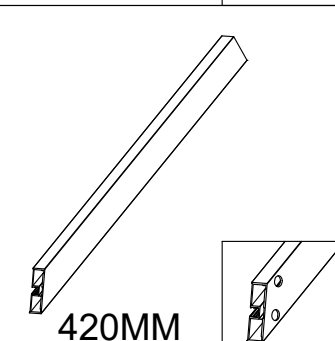
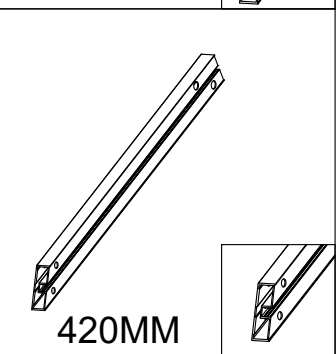

Manual
for
Patio Cover Sacramento
3,03x2,99m

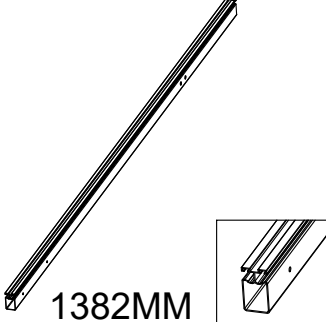

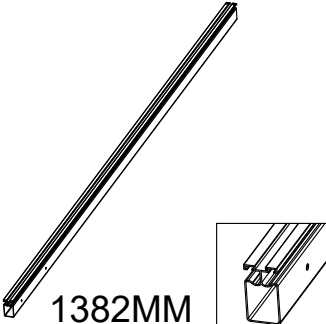
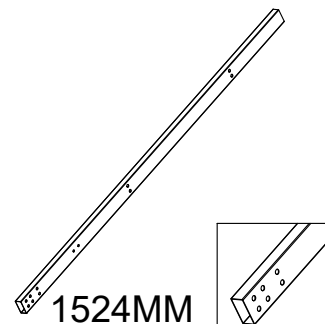
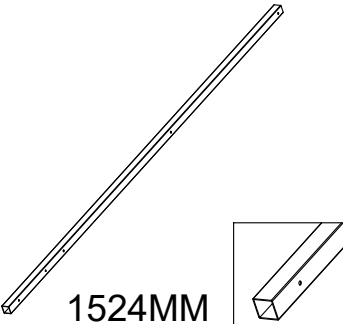
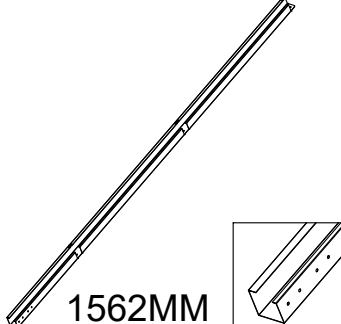

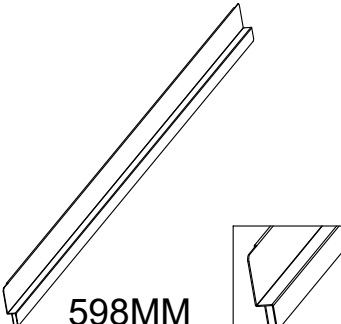
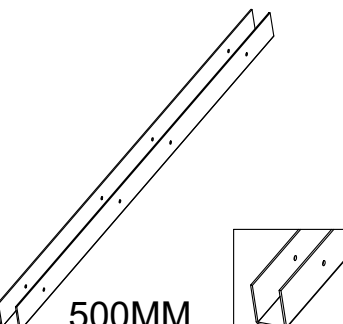
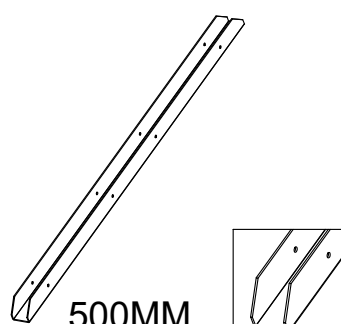
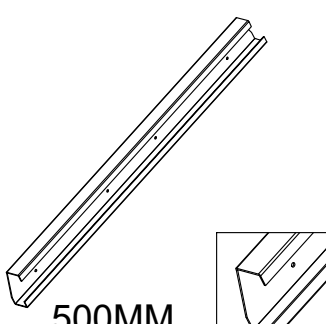
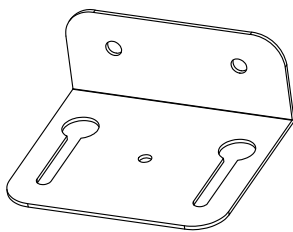
ASSEMBLY INSTRUCTIONS

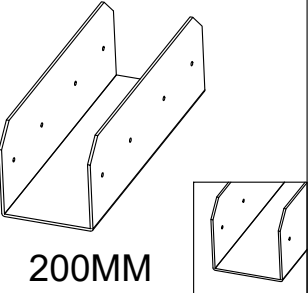
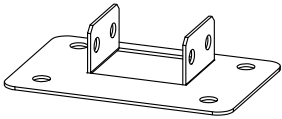
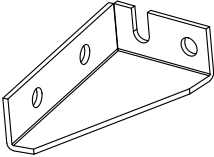
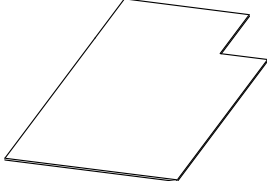
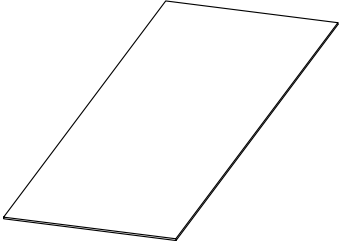
Patio Cover

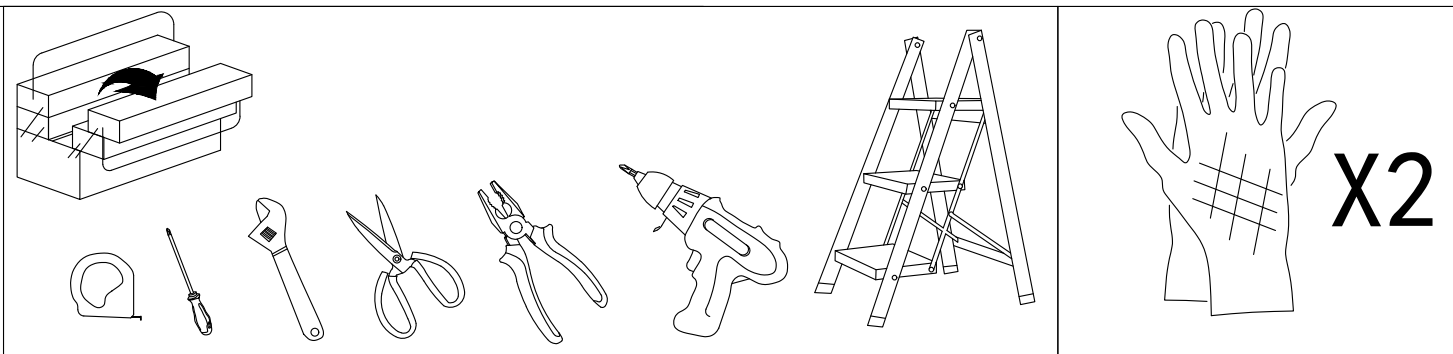


3030X2990X1930mm/2440mm

A1	 <p>1929MM</p>	X1	A2	 <p>1929MM</p>	X1
A3	 <p>1400MM</p>	X2	A4	 <p>983MM</p>	X1
A5	 <p>983MM</p>	X1	A6	 <p>420MM</p>	X2
A7	 <p>420MM</p>	X2	A8	 <p>420MM</p>	X1
A9	 <p>420MM</p>	X1	A10	 <p>420MM</p>	X1
A11	 <p>420MM</p>	X1	A12	 <p>1640MM</p>	X2

A13	 <p>1382MM</p>	X2	A14	 <p>1640MM</p>	X4
A15	 <p>1382MM</p>	X4	A16	 <p>1524MM</p>	X4
A17	 <p>1524MM</p>	X2	A18	 <p>1562MM</p>	X2
A19	 <p>1563MM</p>	X2	A20	 <p>598MM</p>	X5
A21	 <p>500MM</p>	X6	A22	 <p>500MM</p>	X1
A23	 <p>500MM</p>	X2	A24		X2

A25		X2	A26		X4
A27		X12	A28		X1
B1		X10			



H1

M4. 2X13

X108

H2

M6X12

X80

H3

M6X30

X8

H4

M6X40

X8

H5

M6X25

X16

H6

M4X40

X6

H7

X4

H8

M4X10

X20

H9

M6X100

X16

H10

X4

H11

M4X30

X4

H12

X2

H13

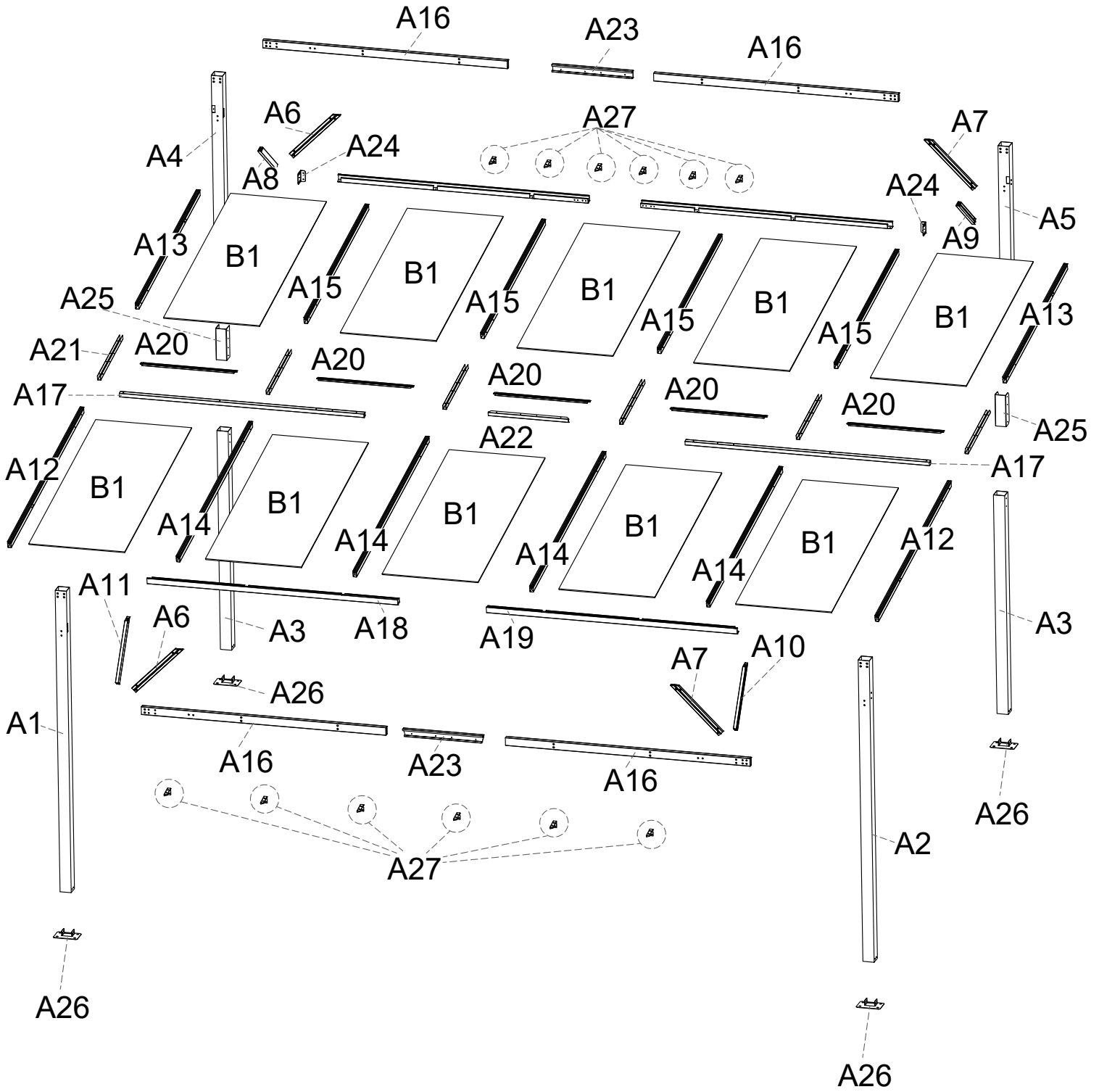
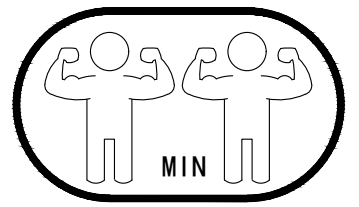
X4

H14

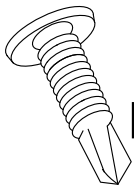
X1

H15

X1

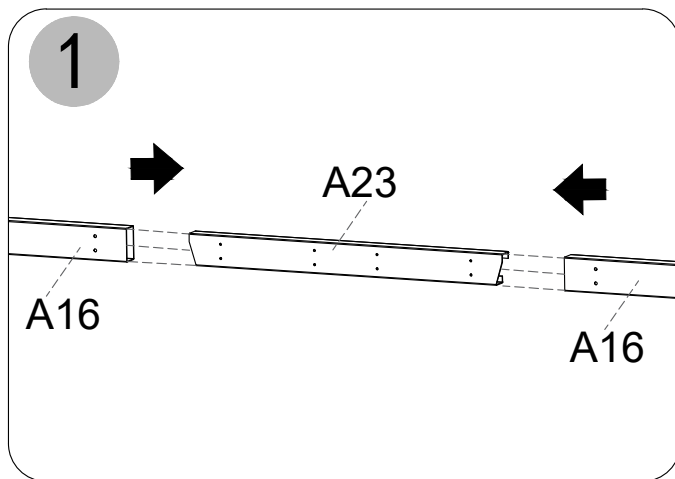
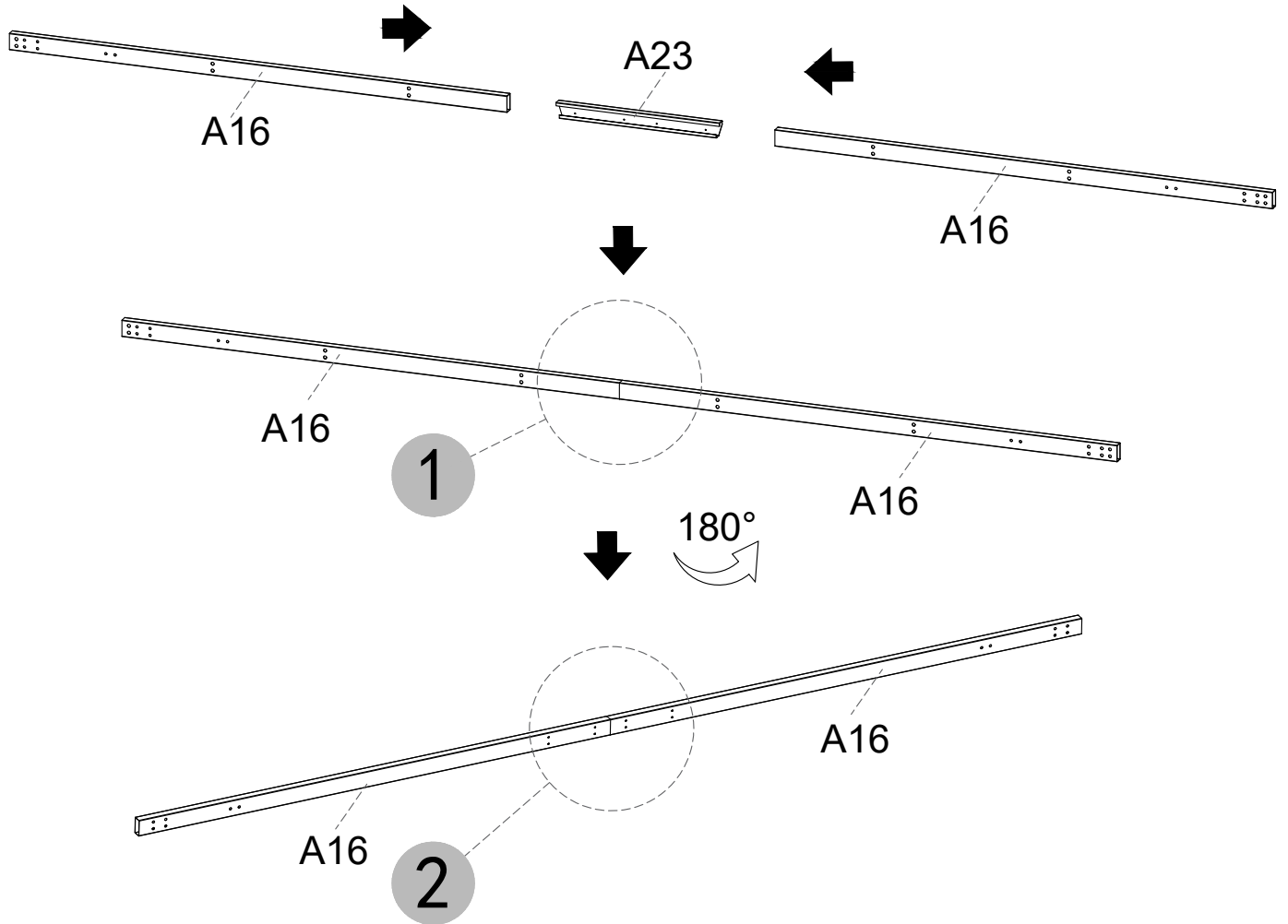


H1

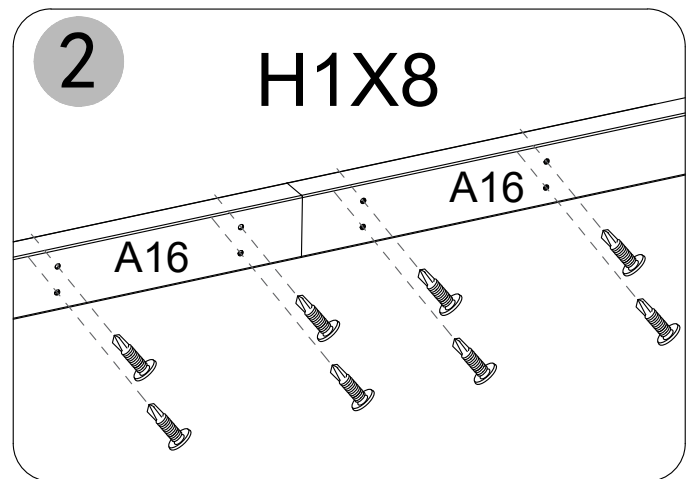


M4. 2X13

X16

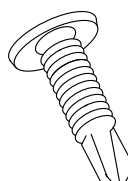


X2



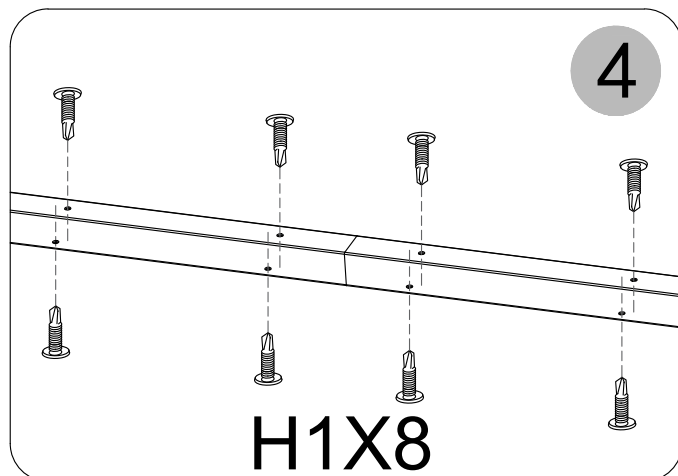
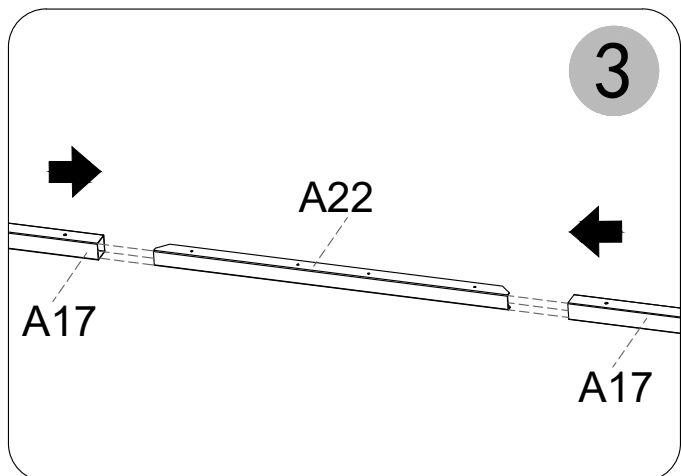
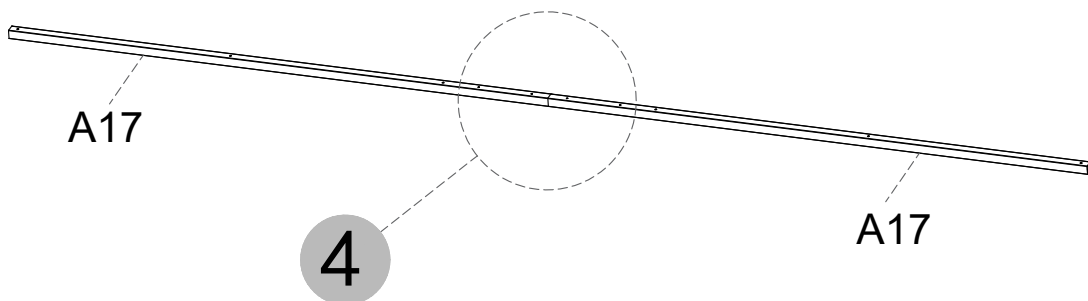
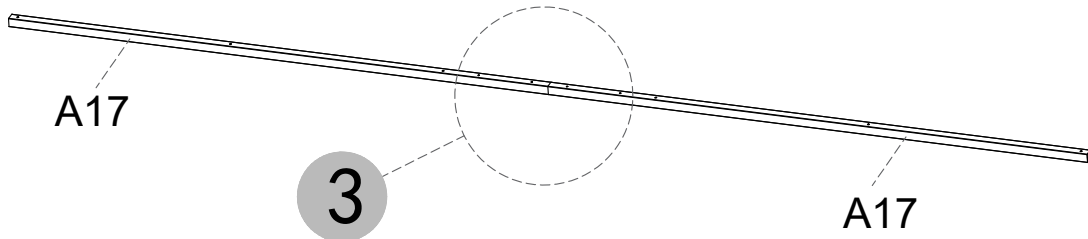
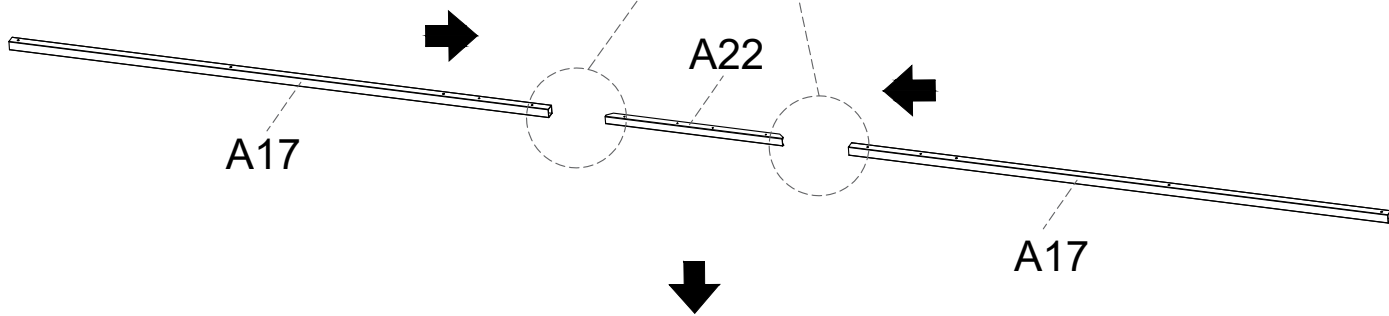
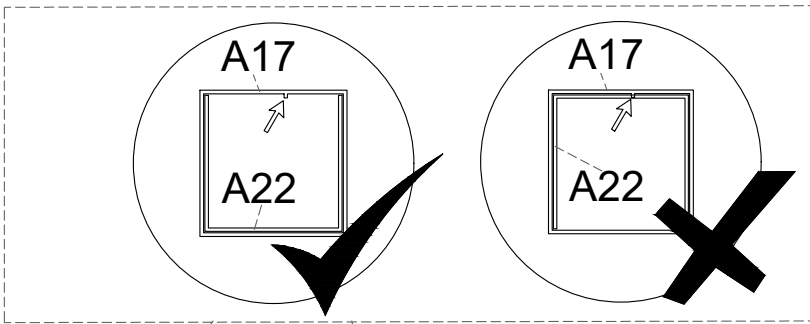
X2

H1

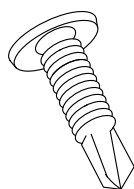


M4. 2X13

X8

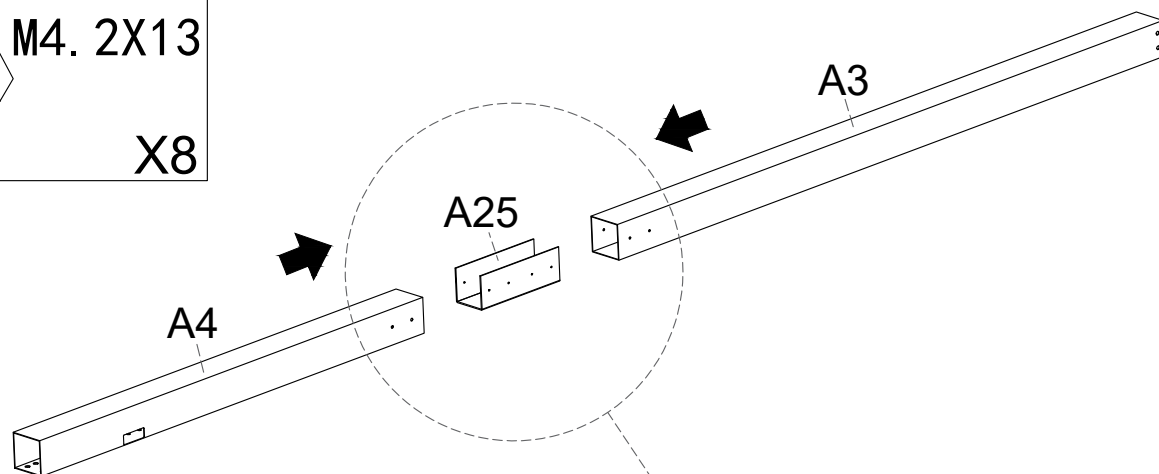


H1

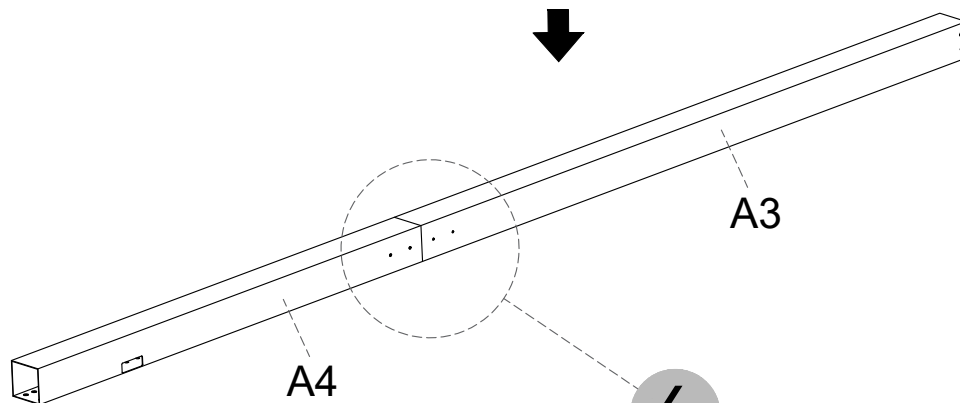


M4. 2X13

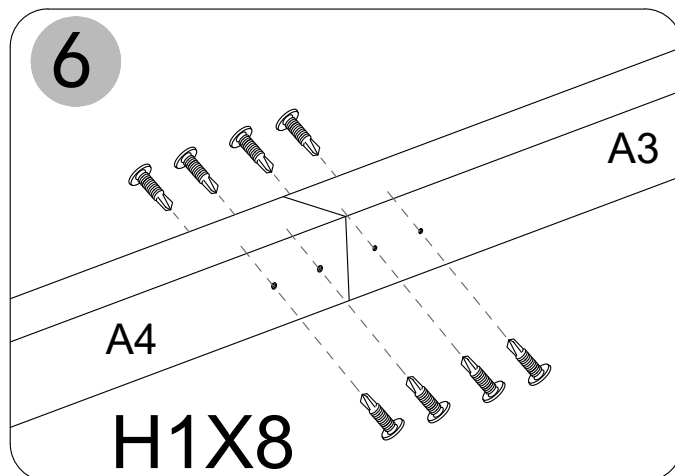
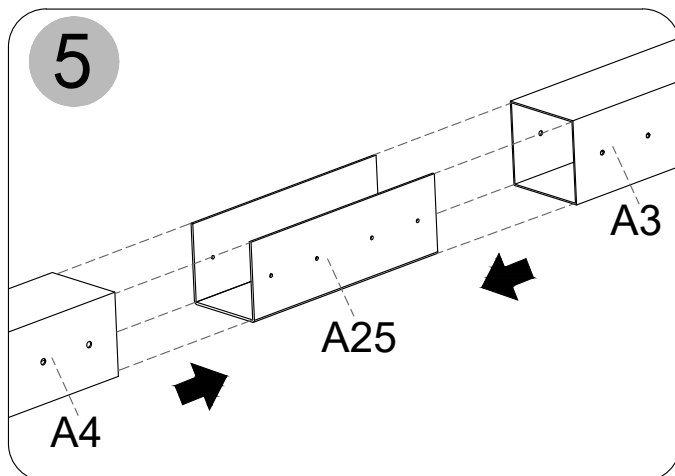
X8



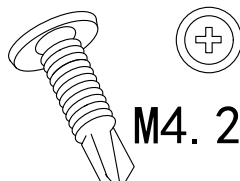
5



6

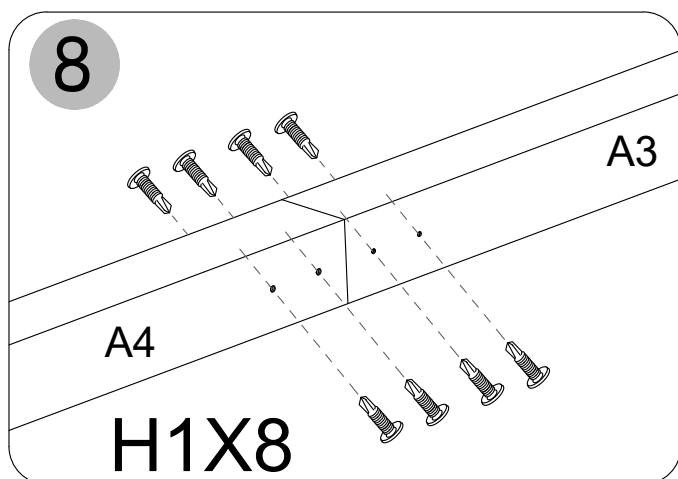
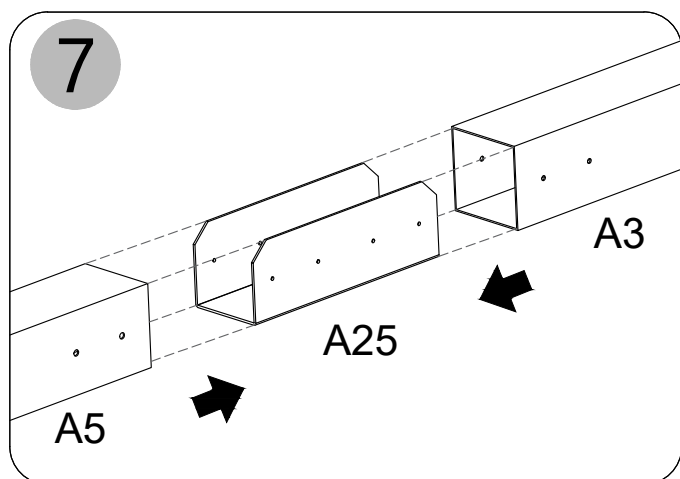
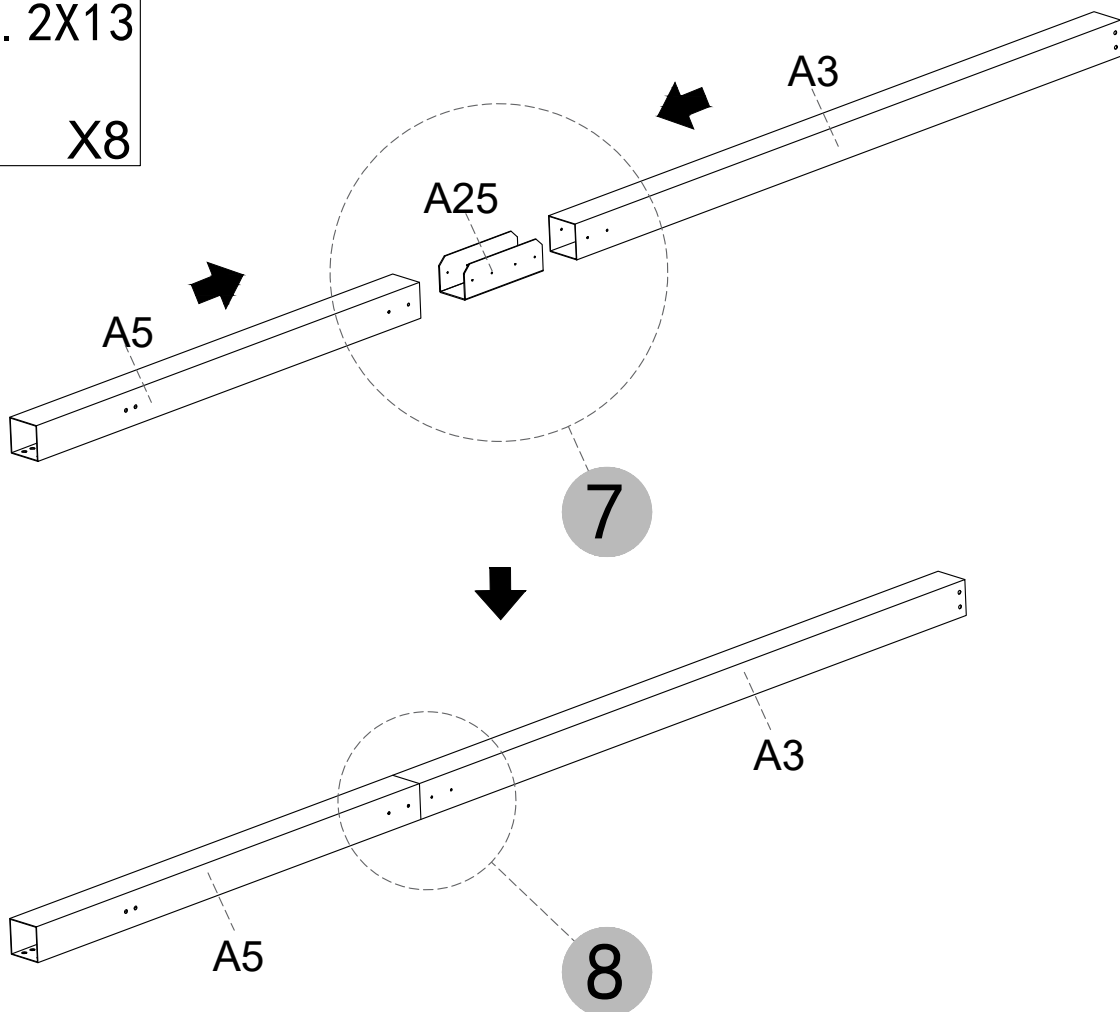


H1

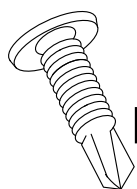


M4. 2X13

X8

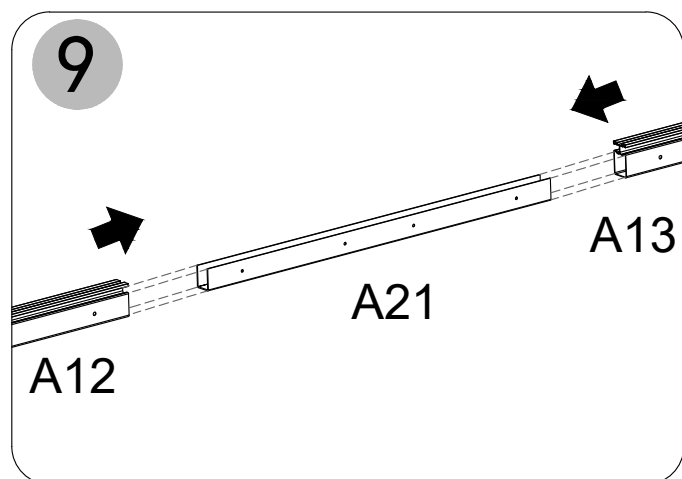
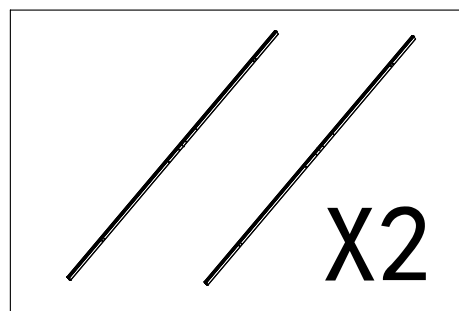
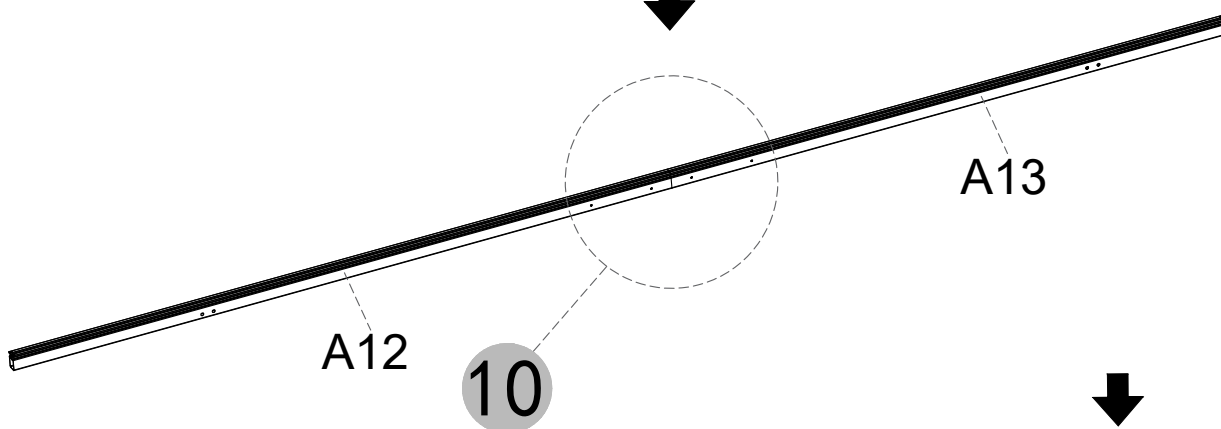
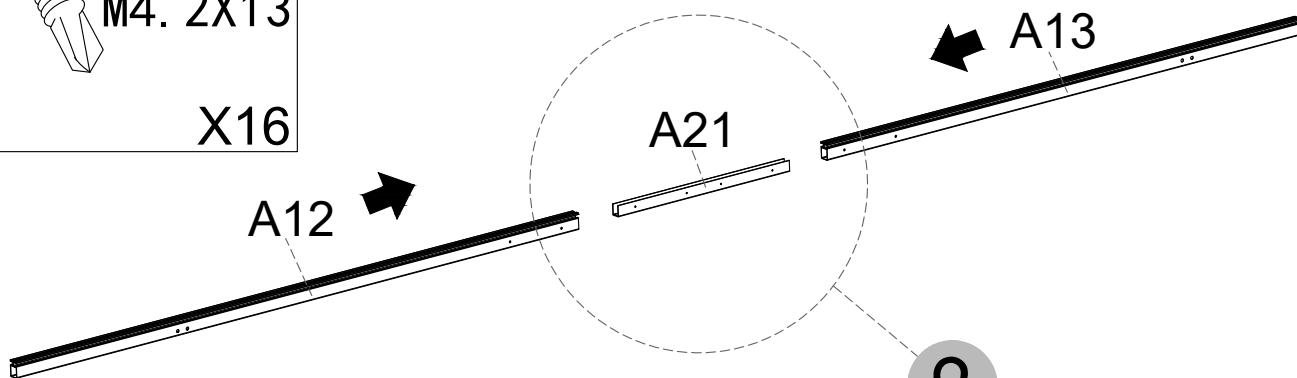


H1

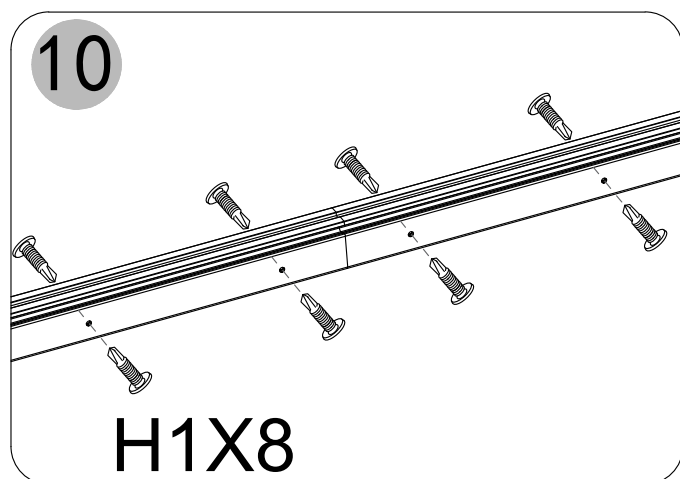


M4. 2X13

X16

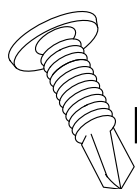


X2



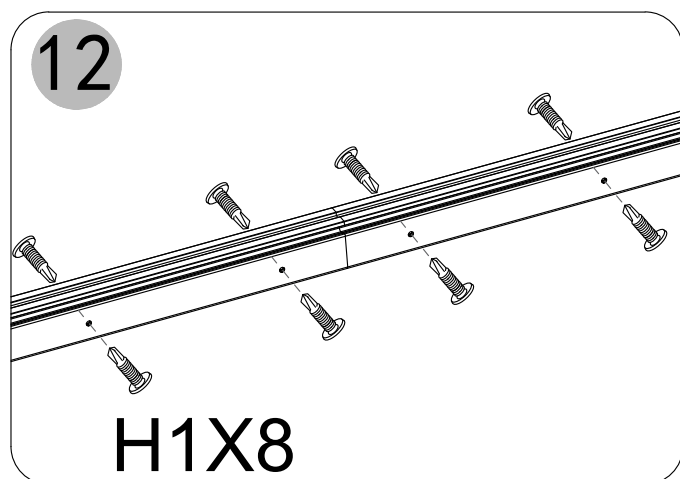
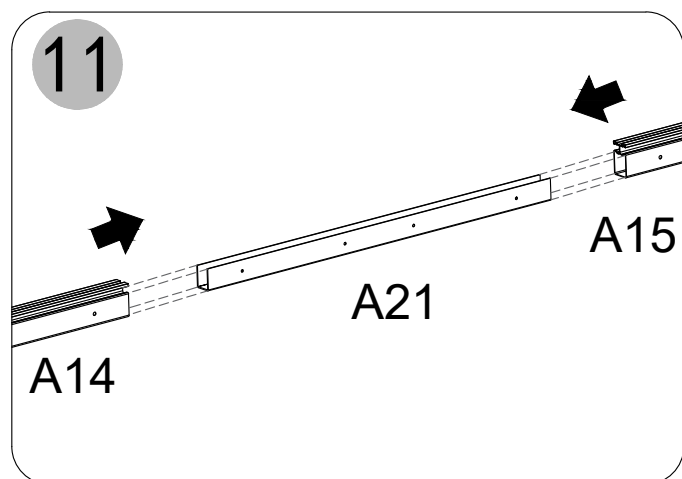
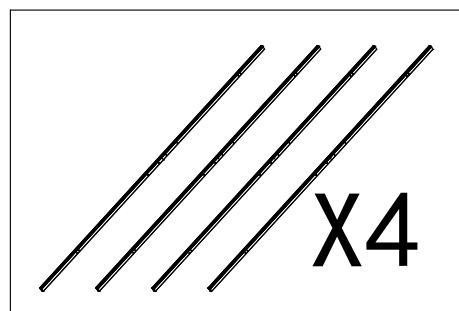
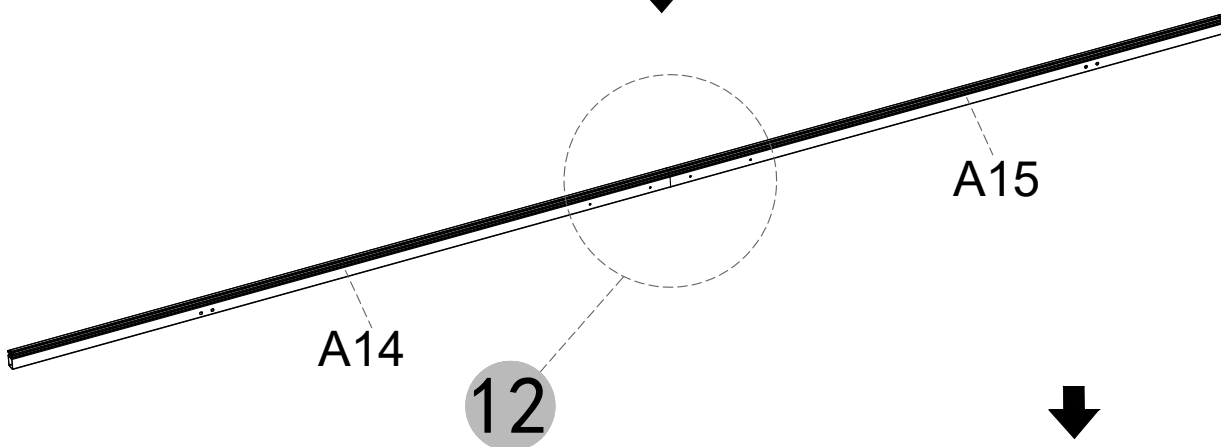
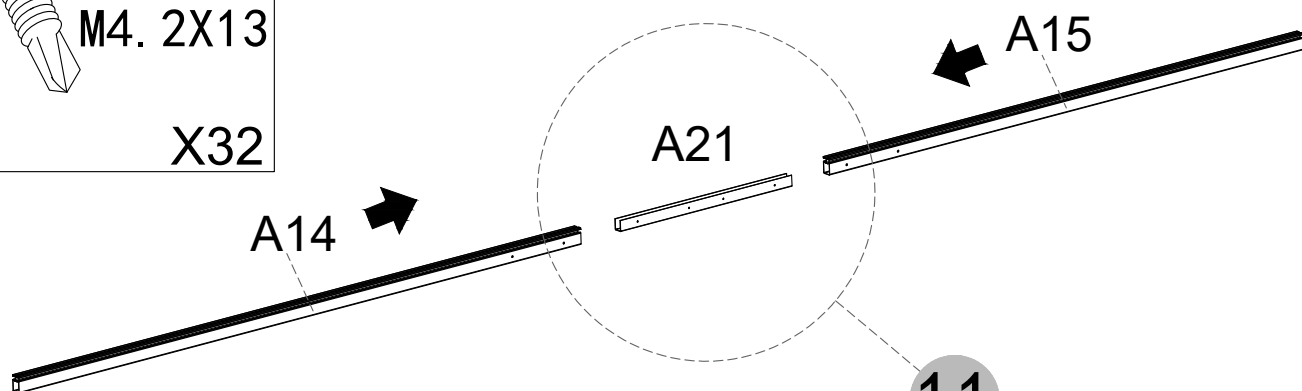
X2

H1



M4. 2X13

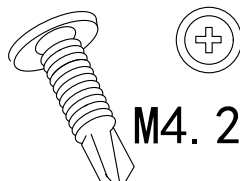
X32



X4

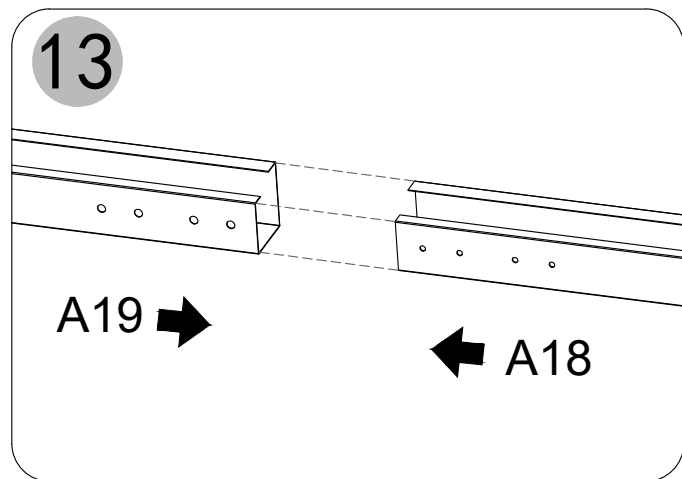
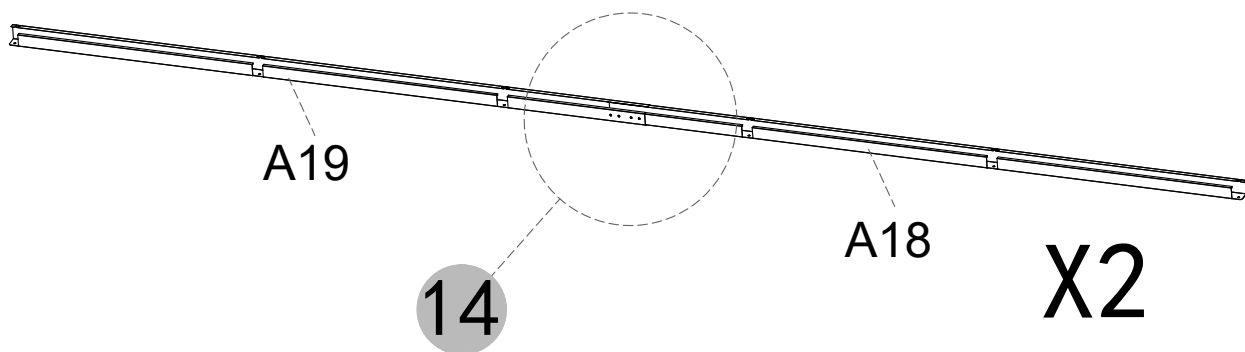
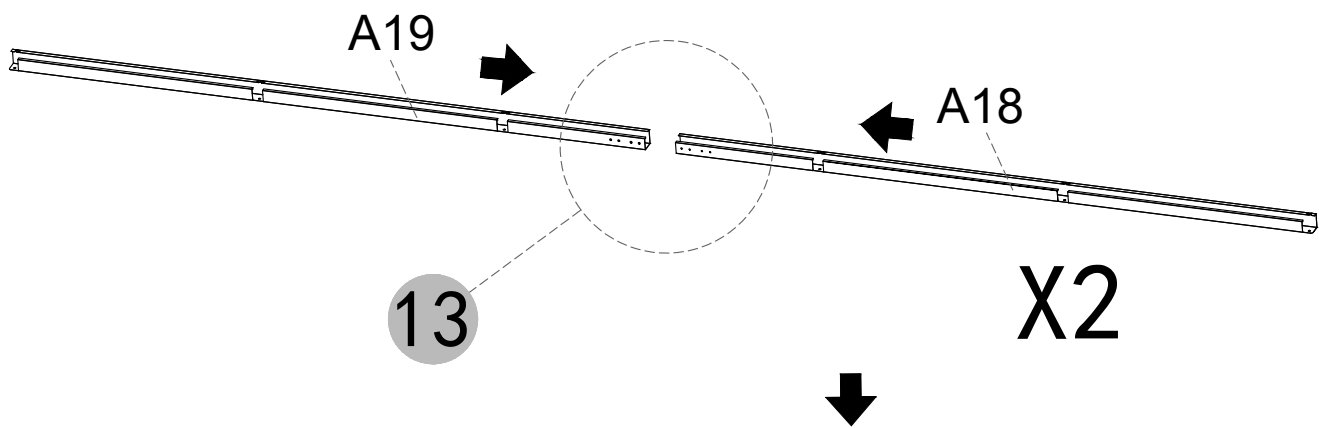
X4

H1

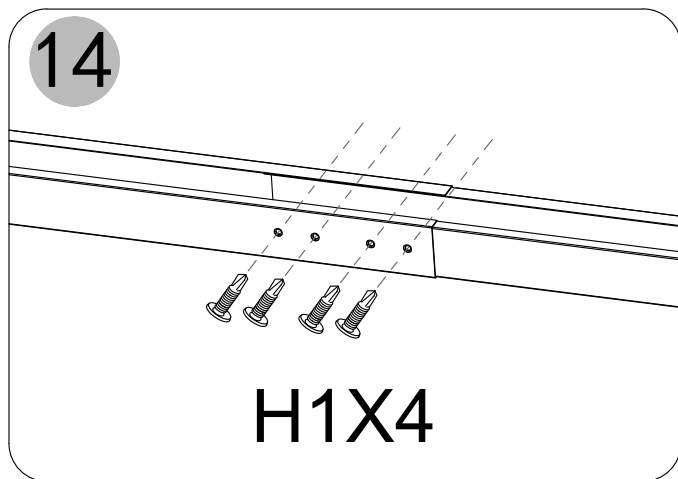


M4. 2X13

X8

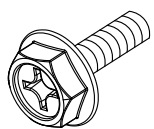


X2



X2

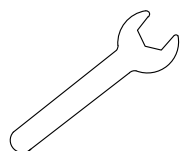
H2



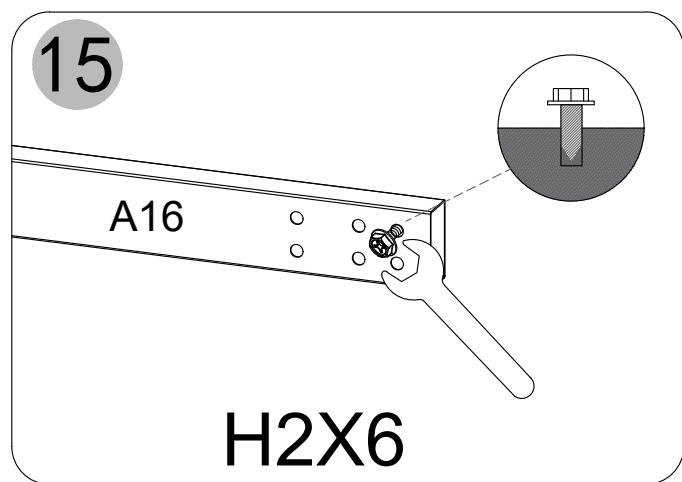
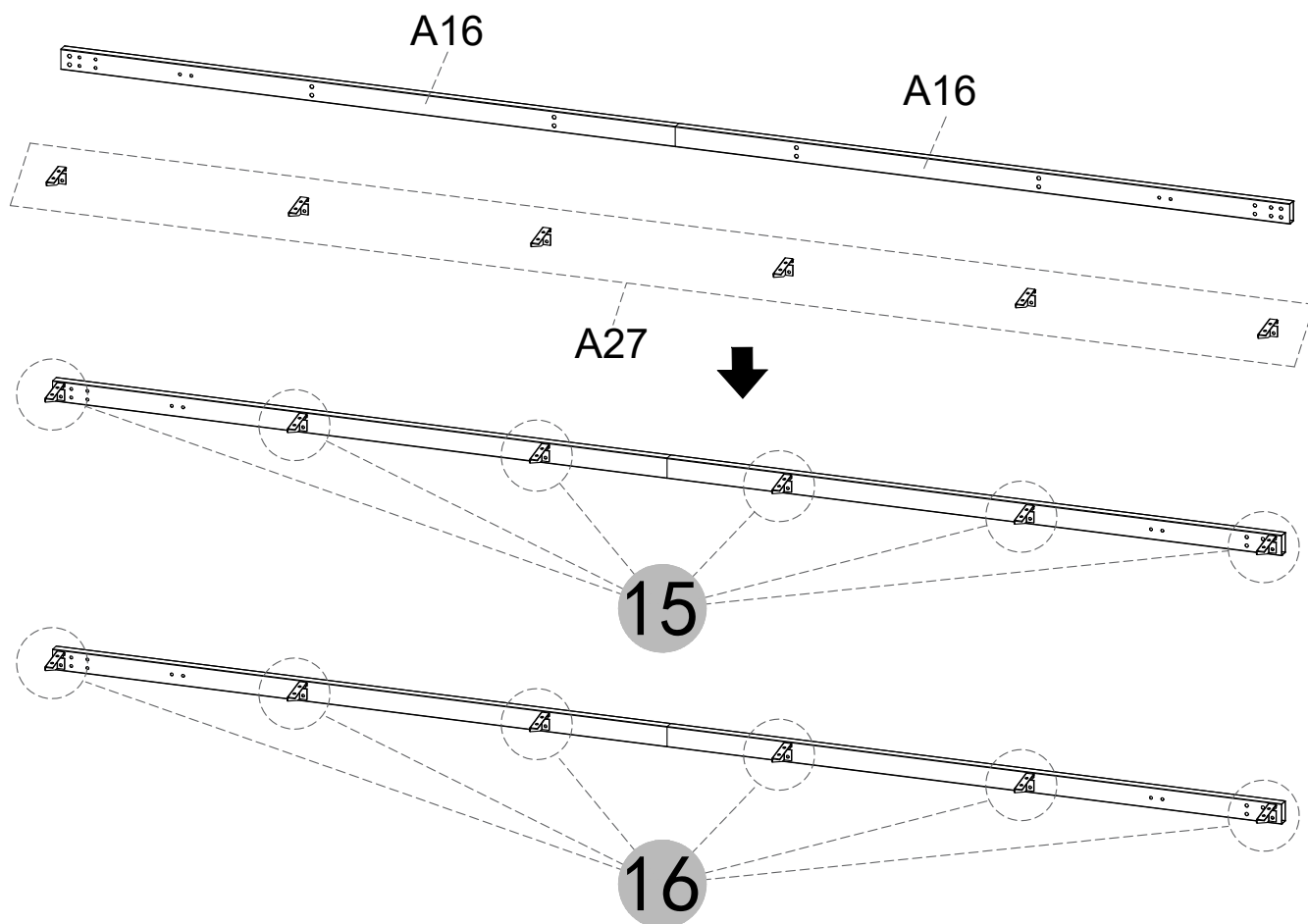
M6X12

X24

H15

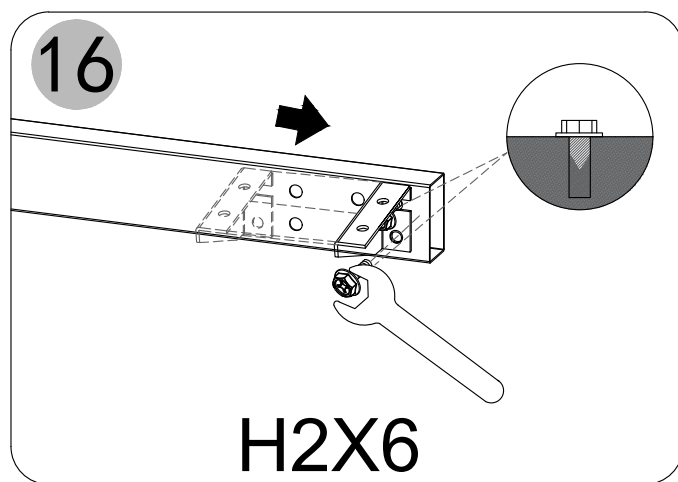


X1



H2X6

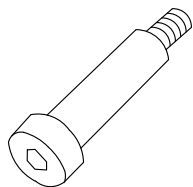
X2



H2X6

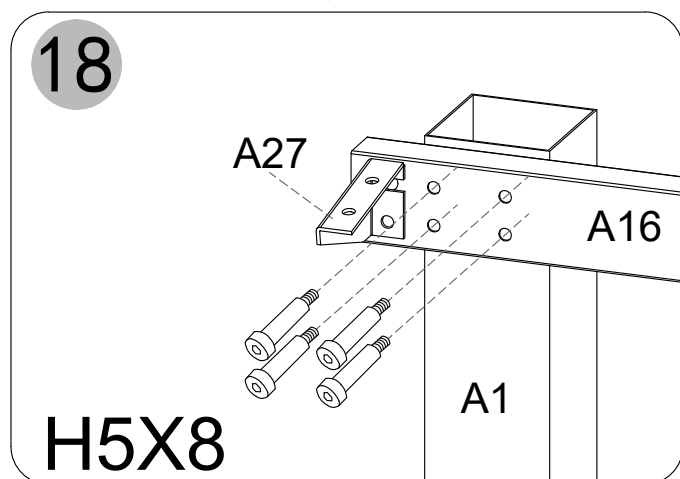
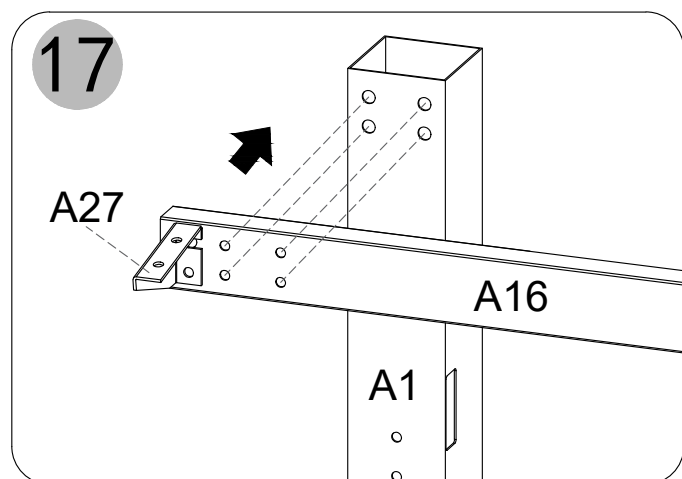
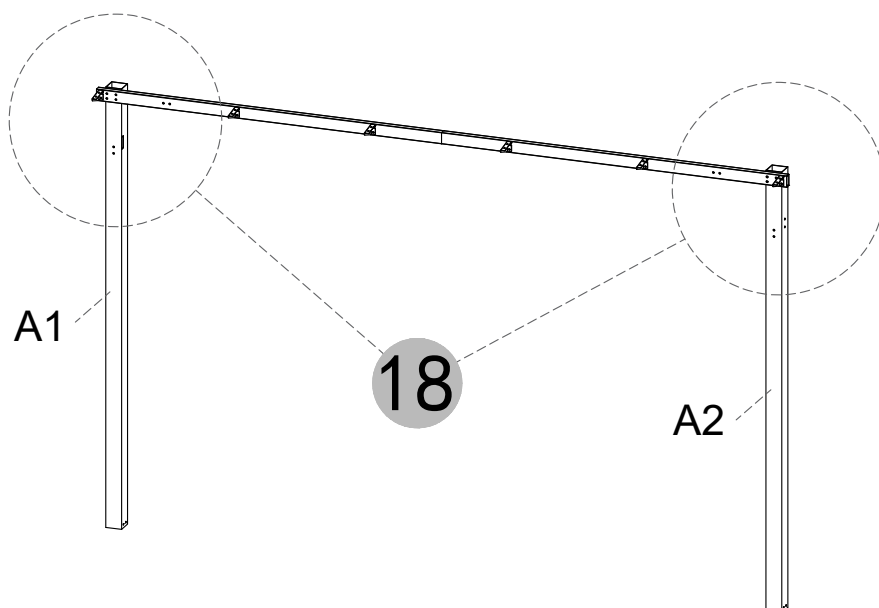
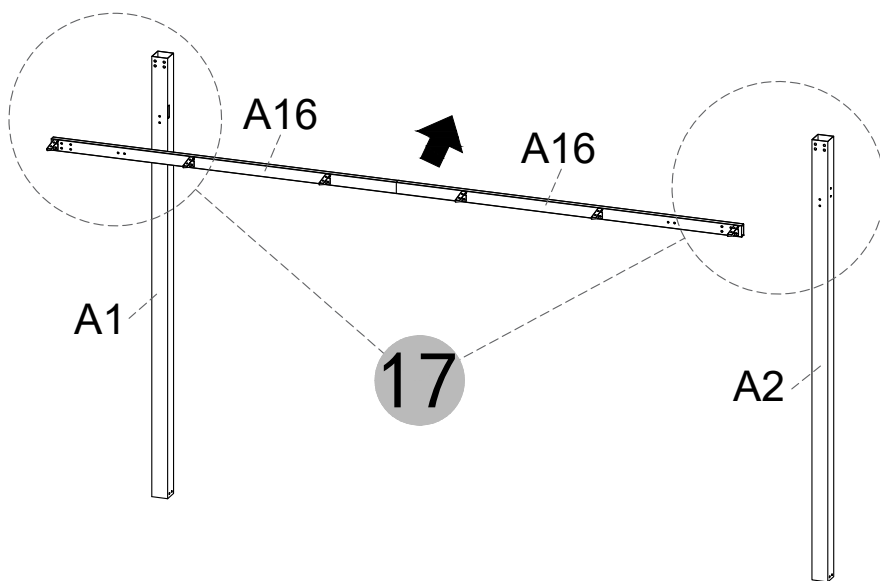
X2

H5

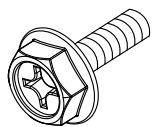


M6X25

X8



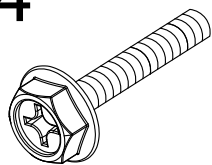
H2



M6X12

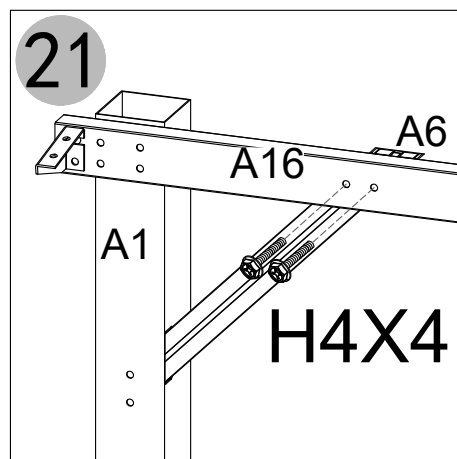
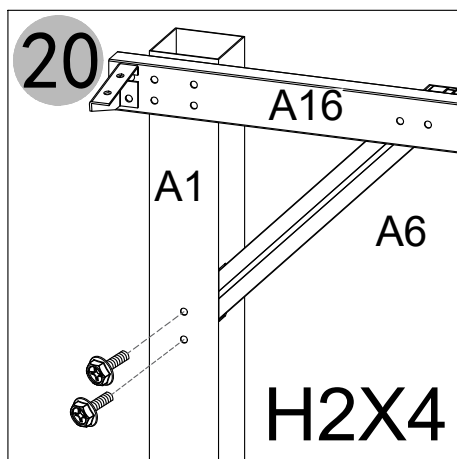
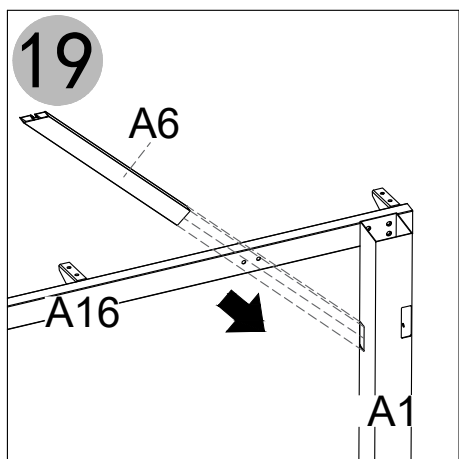
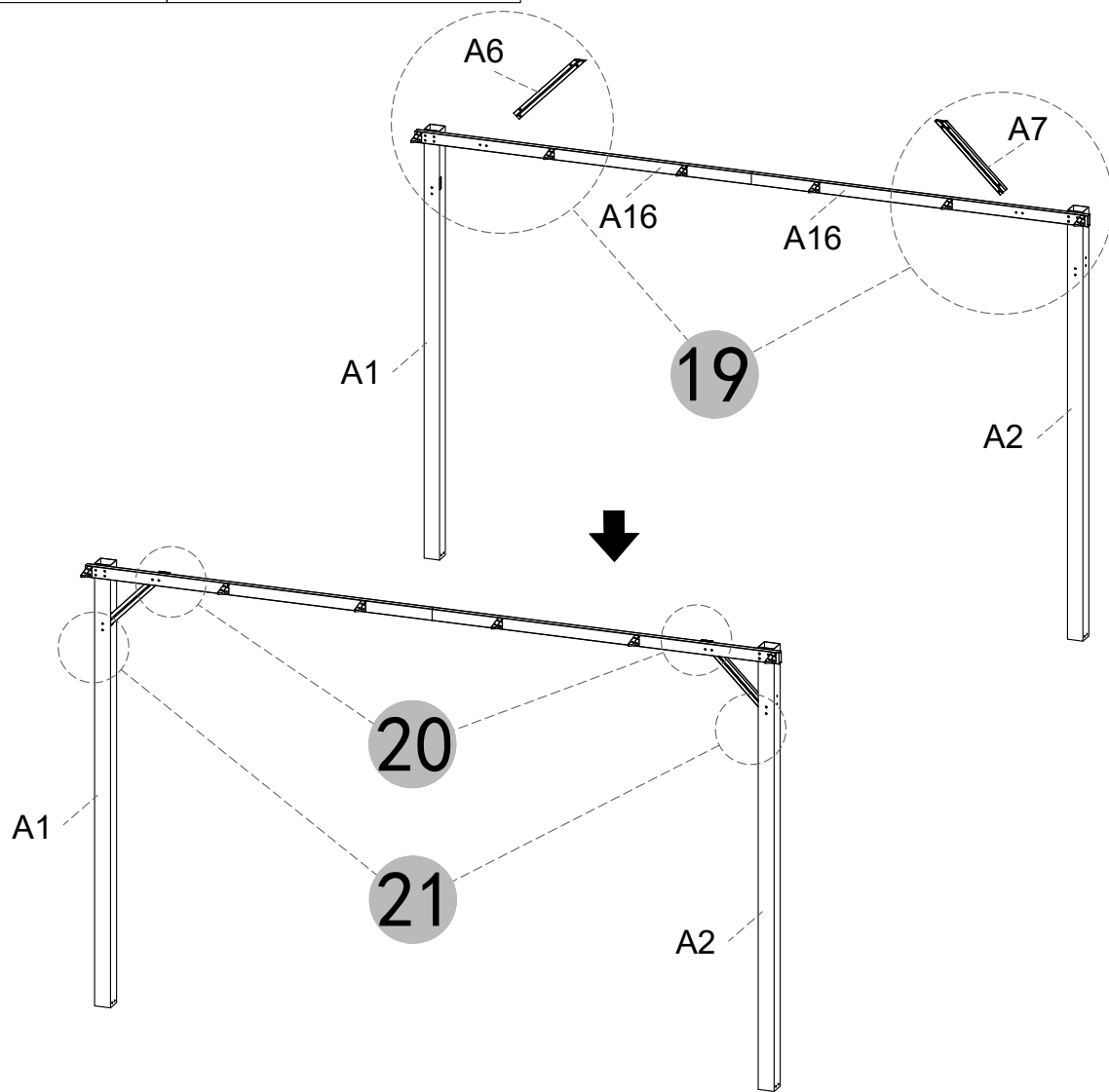
X4

H4

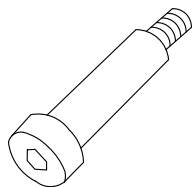


M6X40

X4

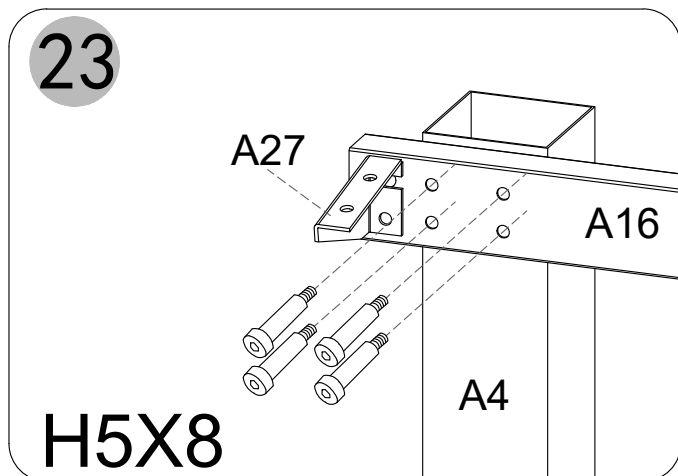
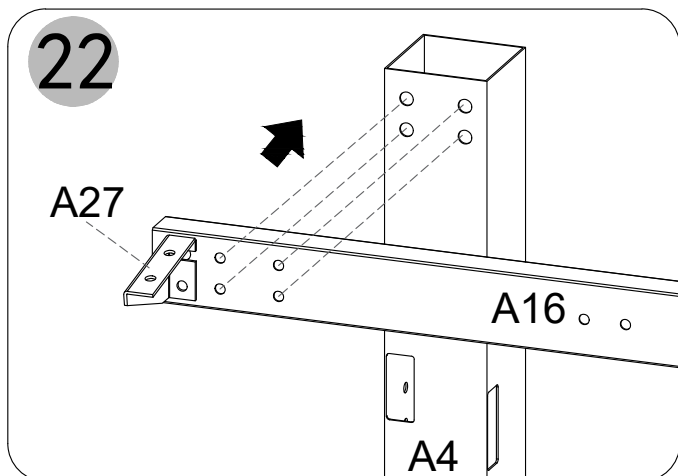
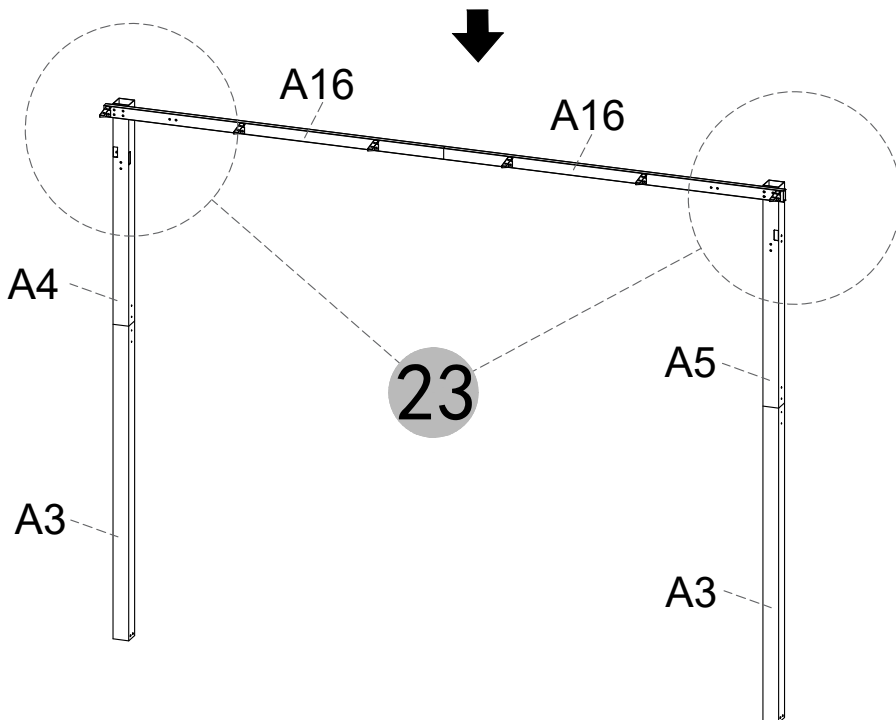
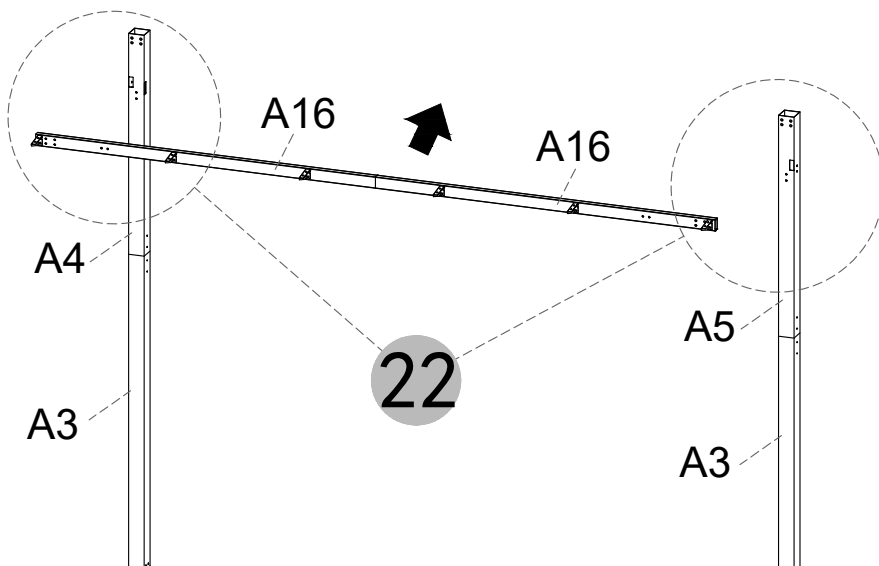


H5

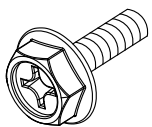


M6X25

X8



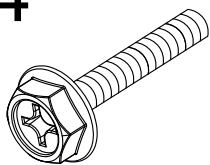
H2



M6X12

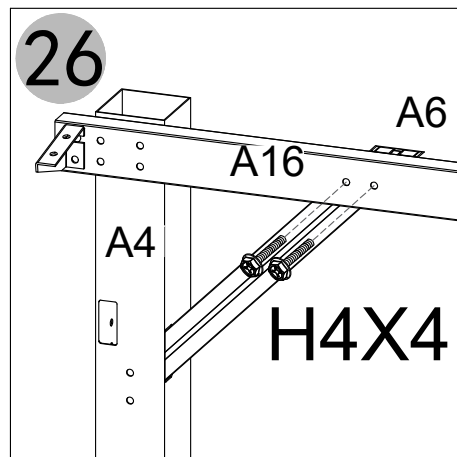
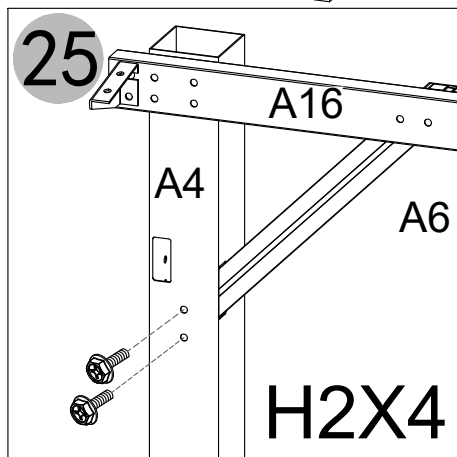
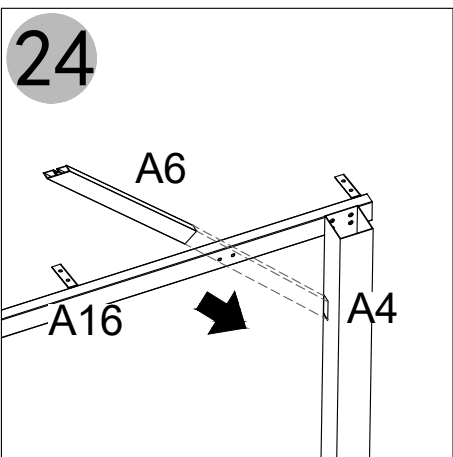
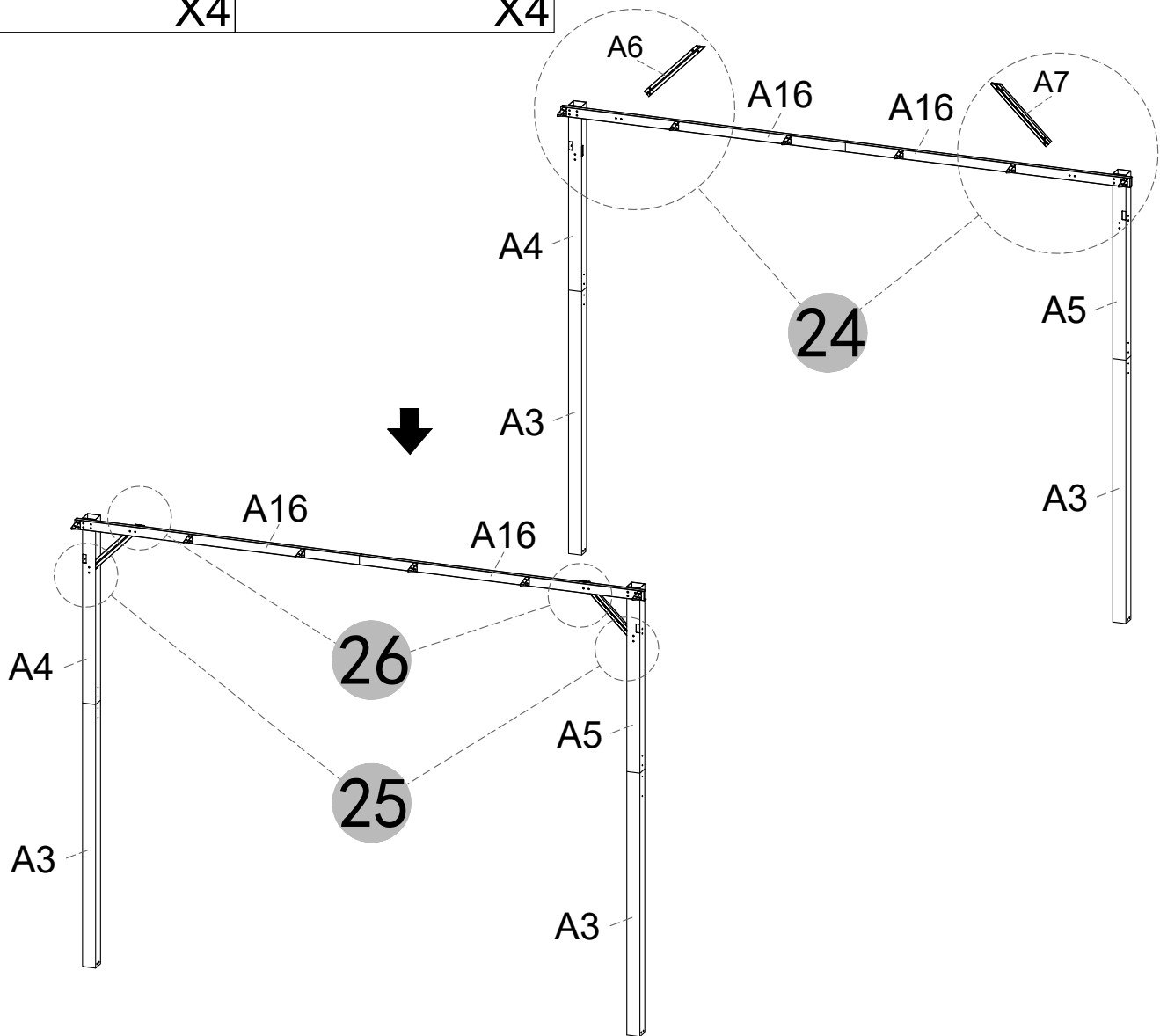
X4

H4

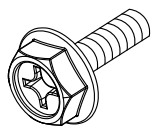


M6X40

X4

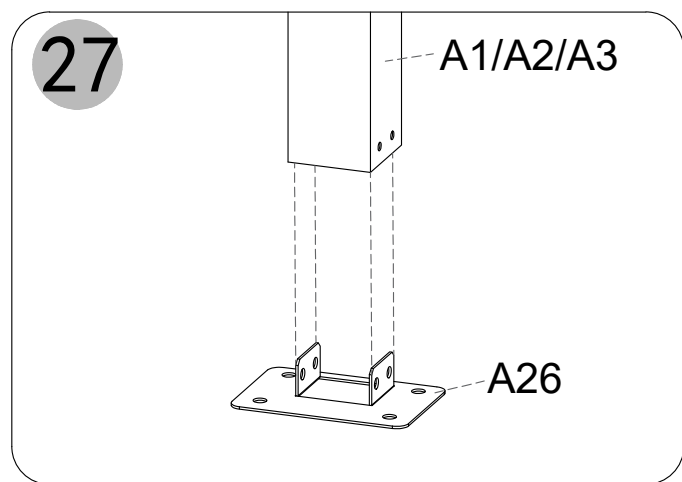
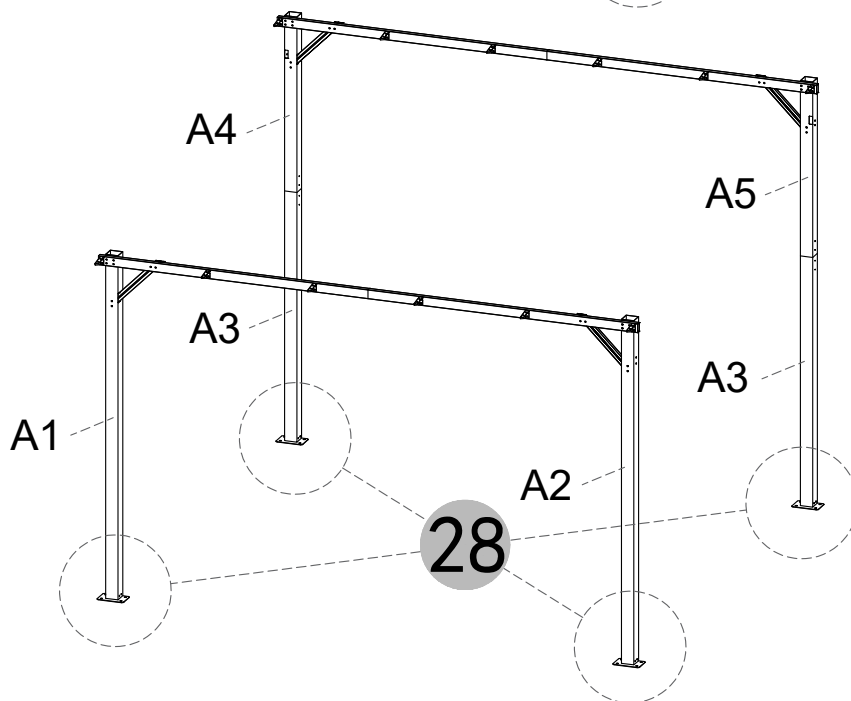
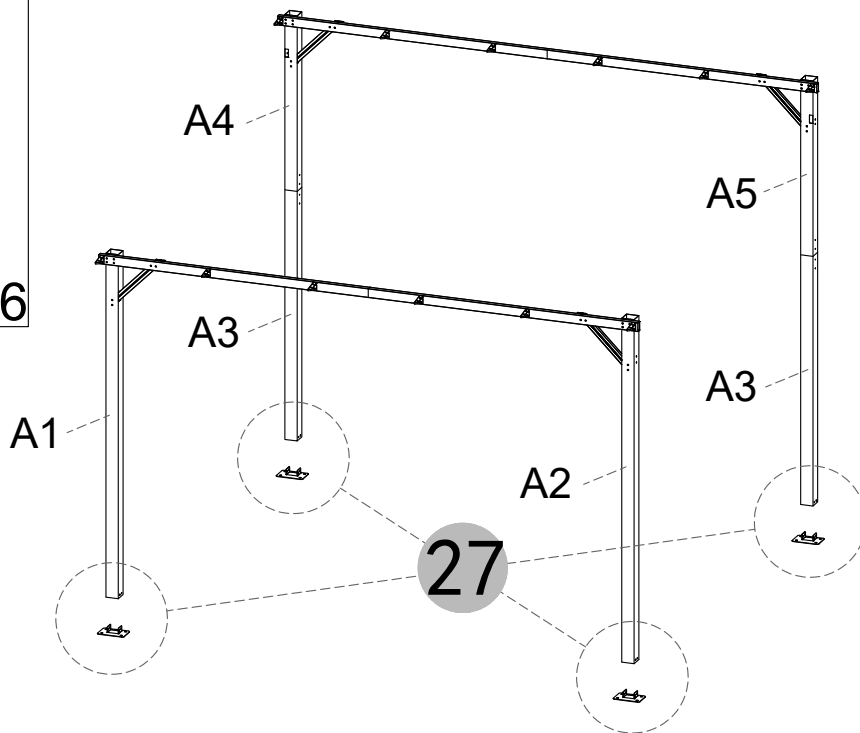


H2

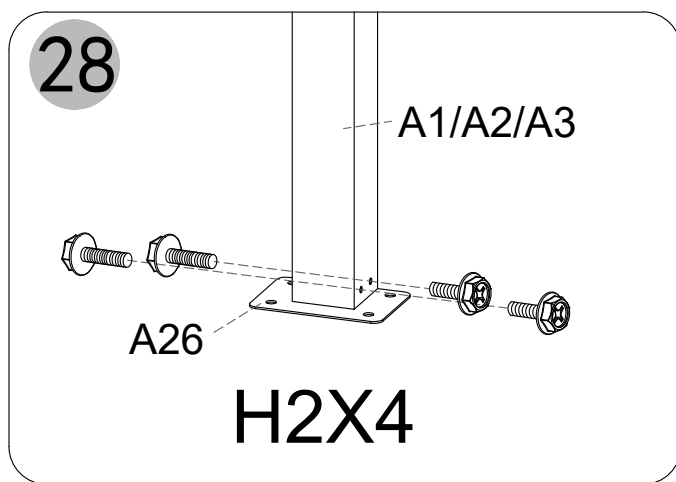


M6X12

X16

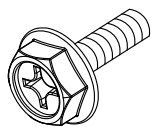


X4



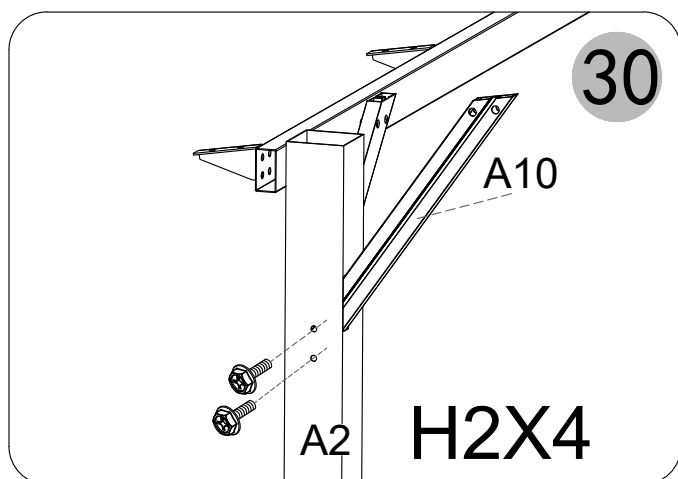
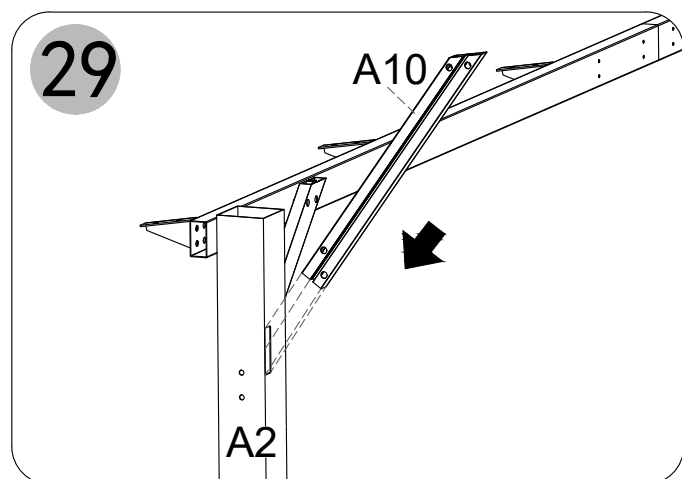
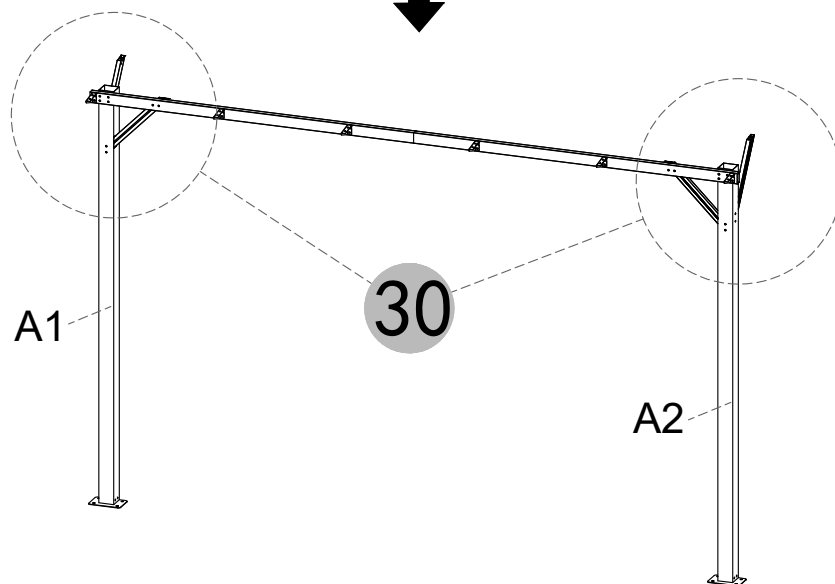
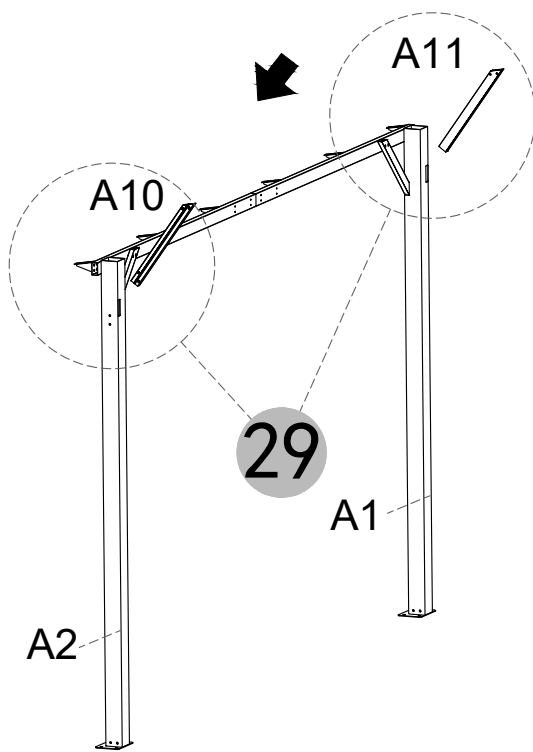
X4

H2

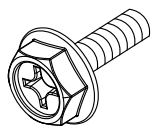


M6X12

X4

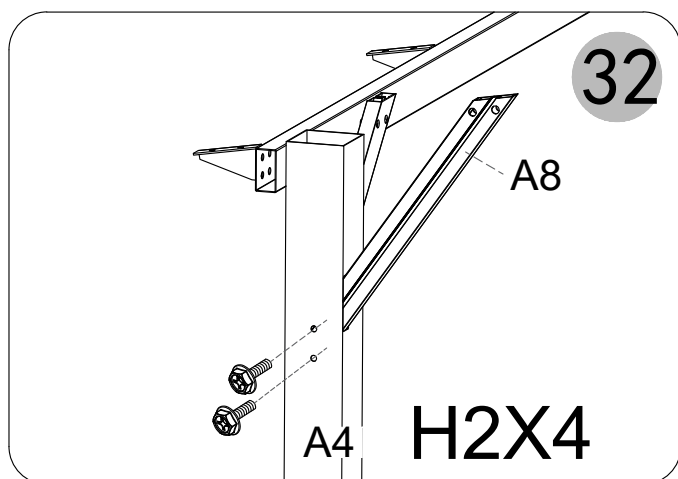
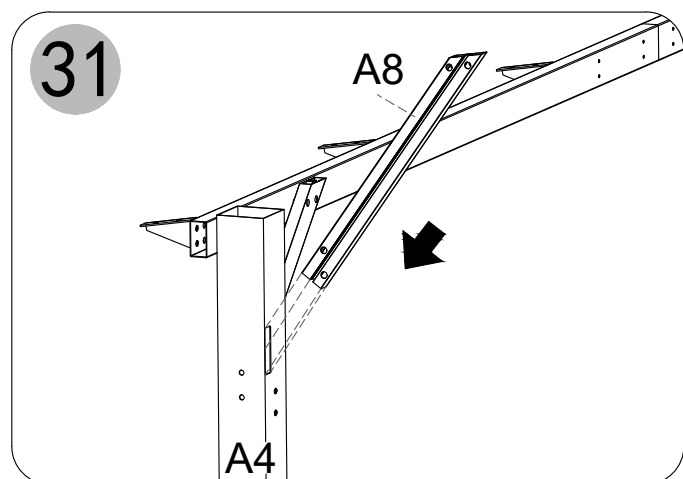
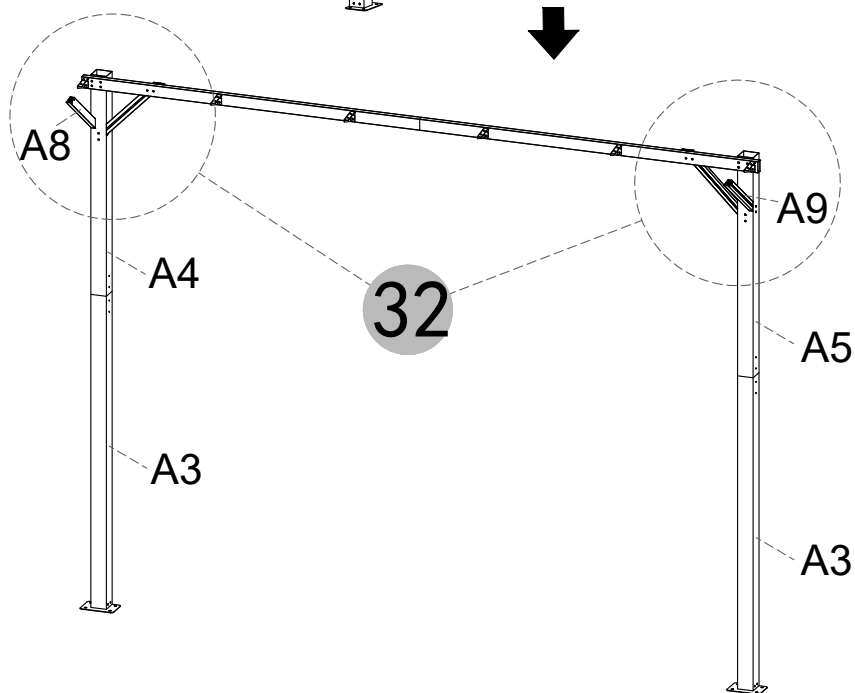
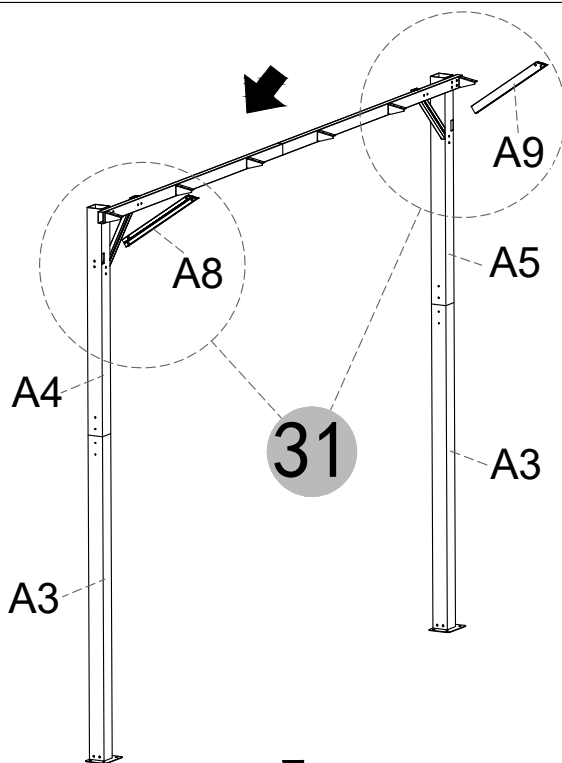


H2

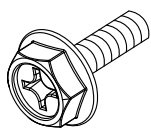


M6X12

X4



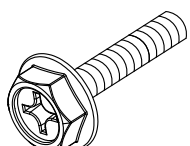
H2



M6X12

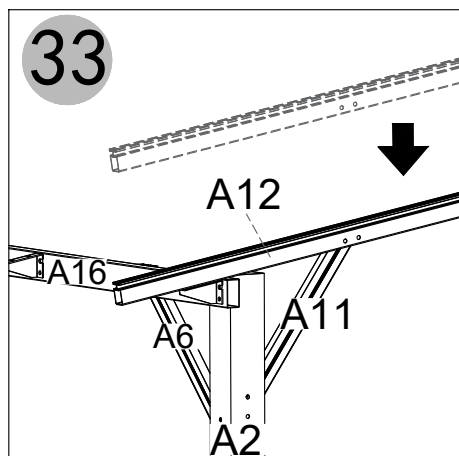
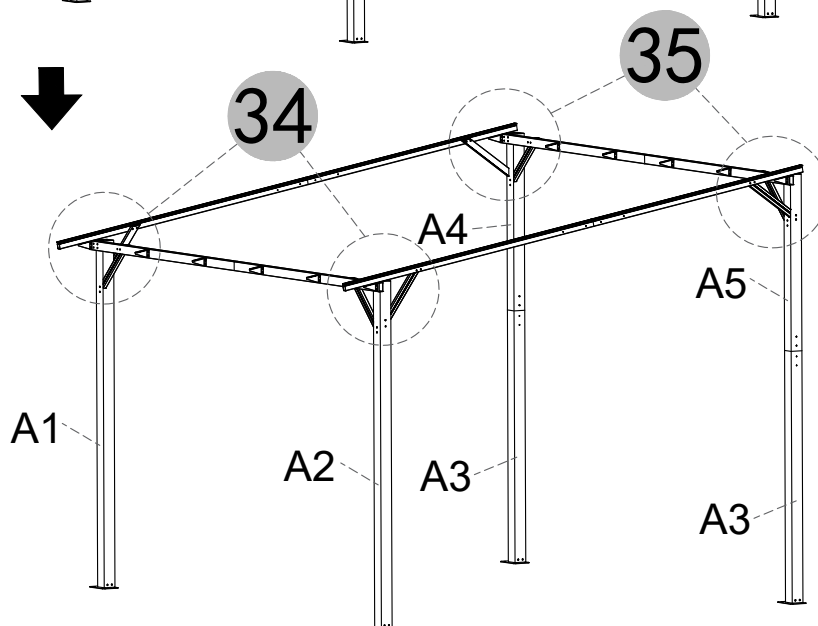
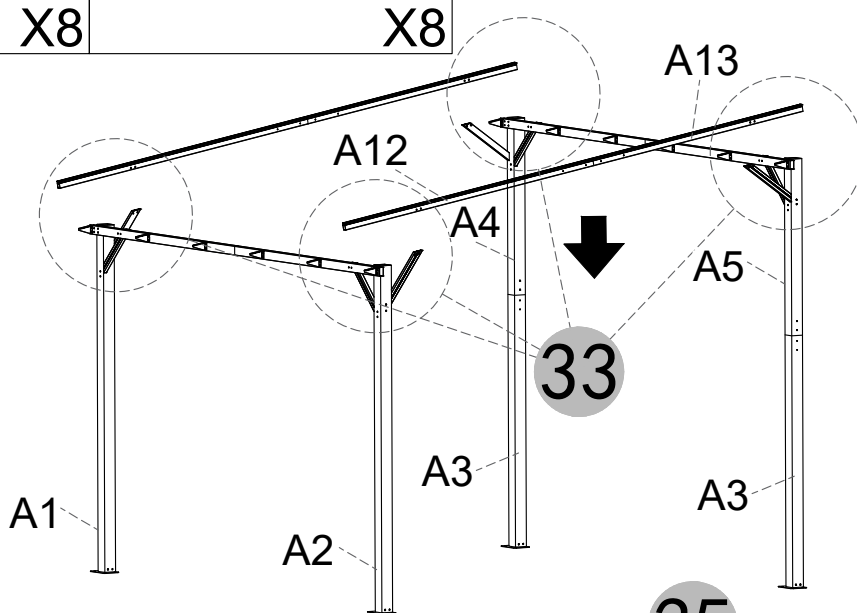
X8

H3



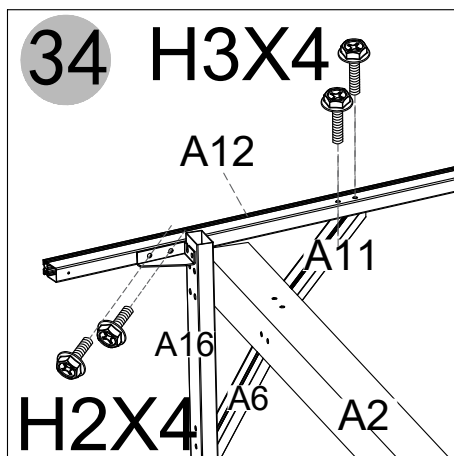
M6X30

X8



33

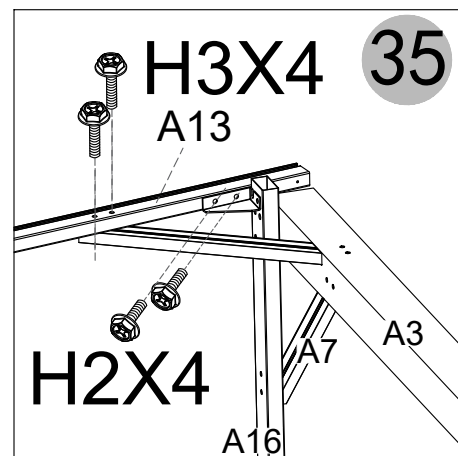
X2



34

H3X4

H2X4

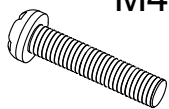


35

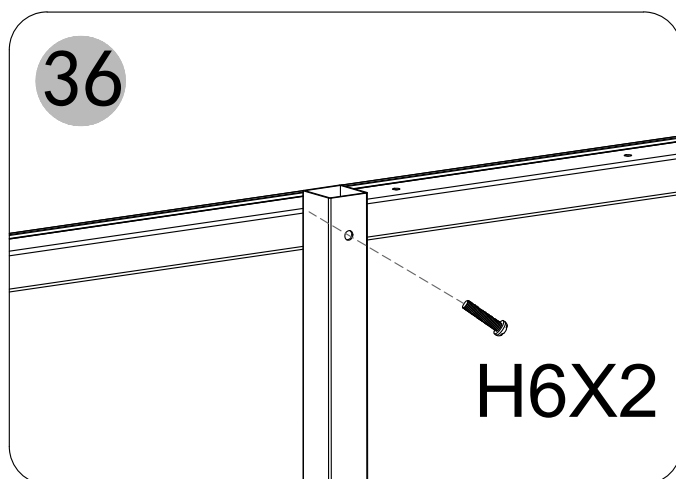
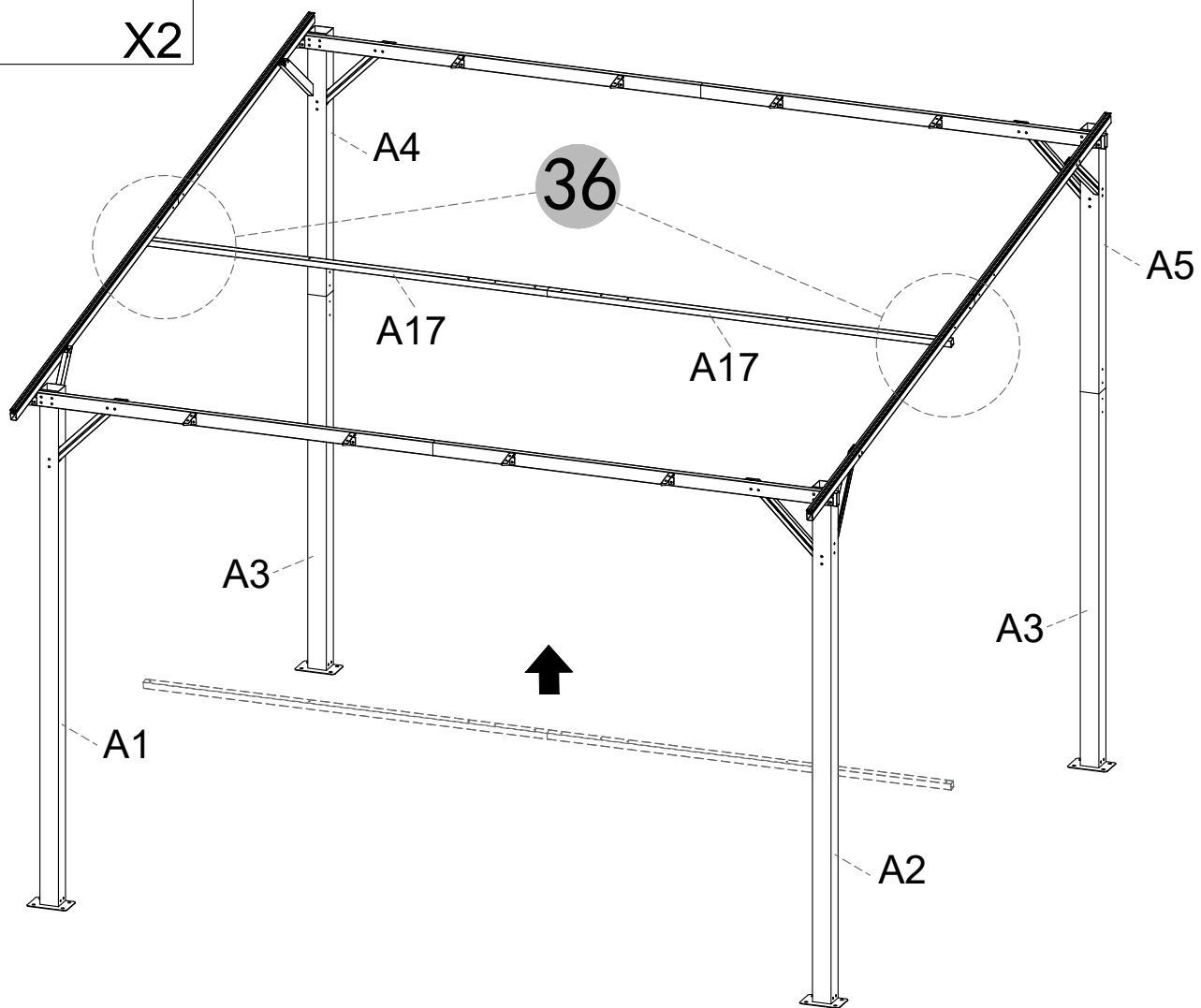
H2X4

H6

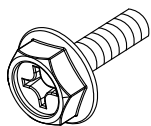
M4X40



X2



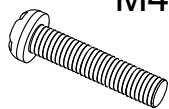
H2



M6X12

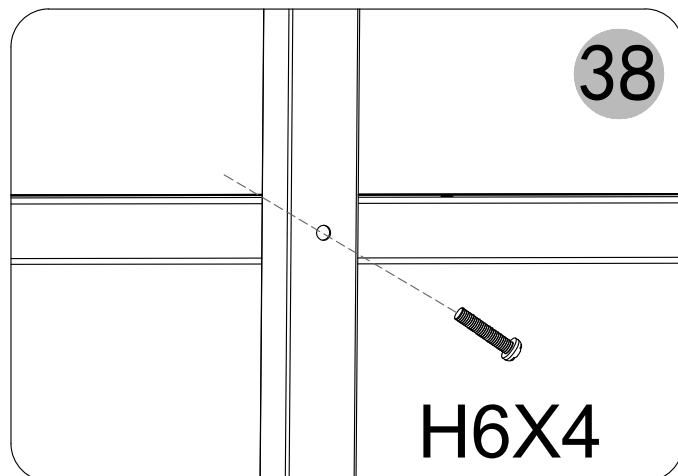
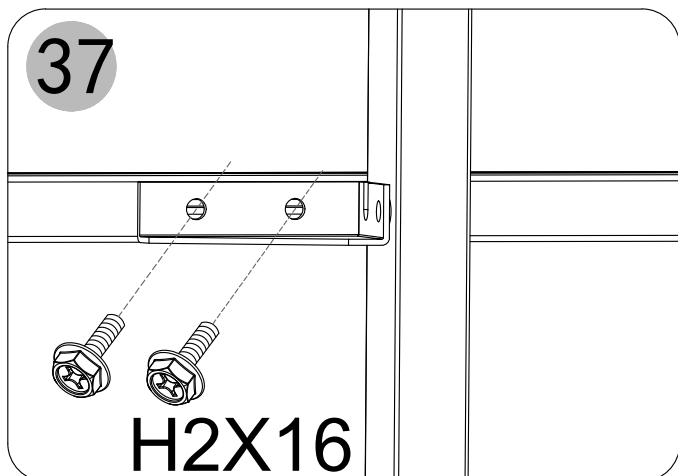
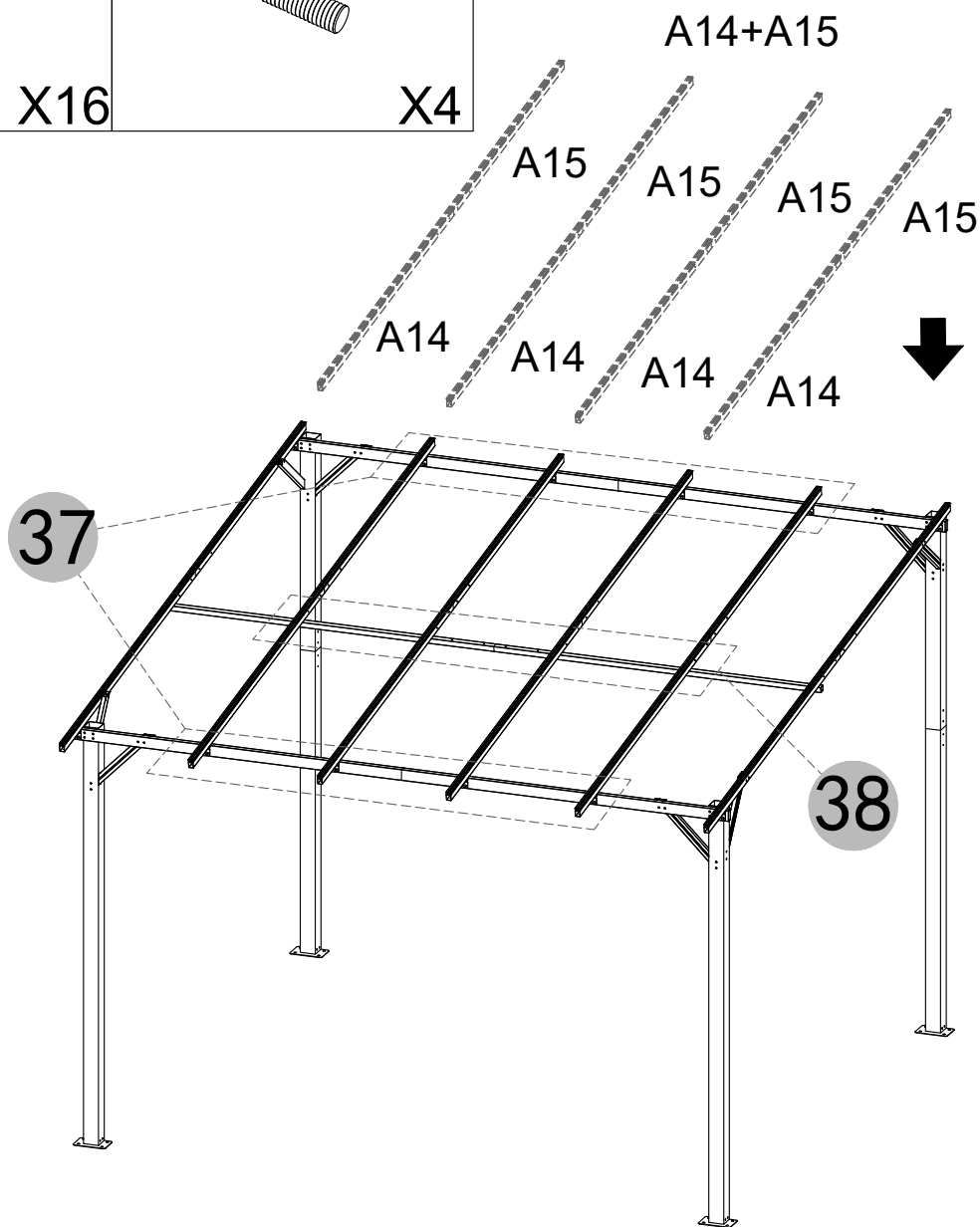
X16

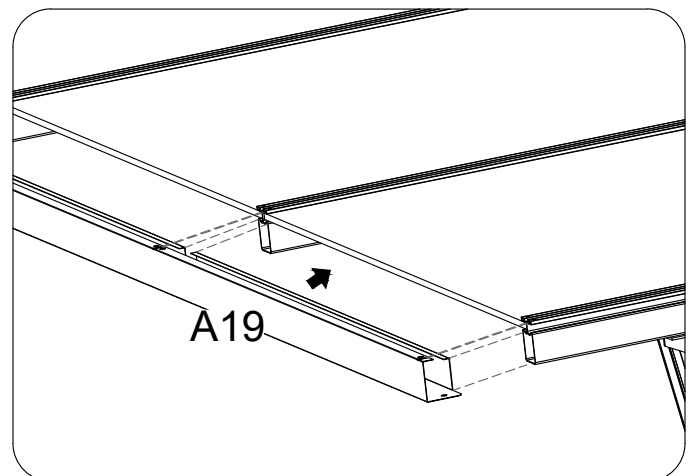
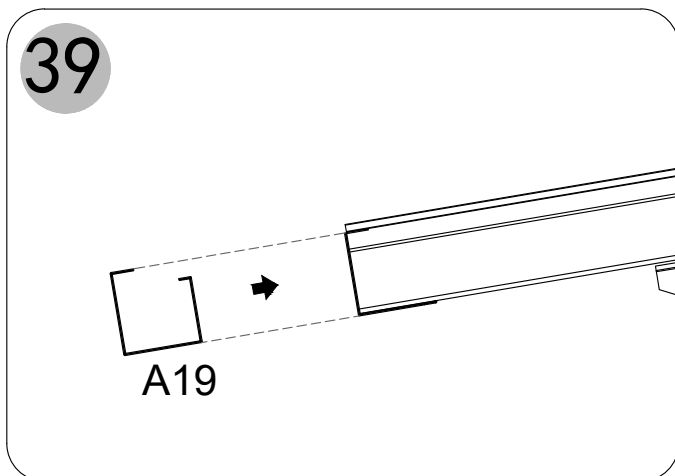
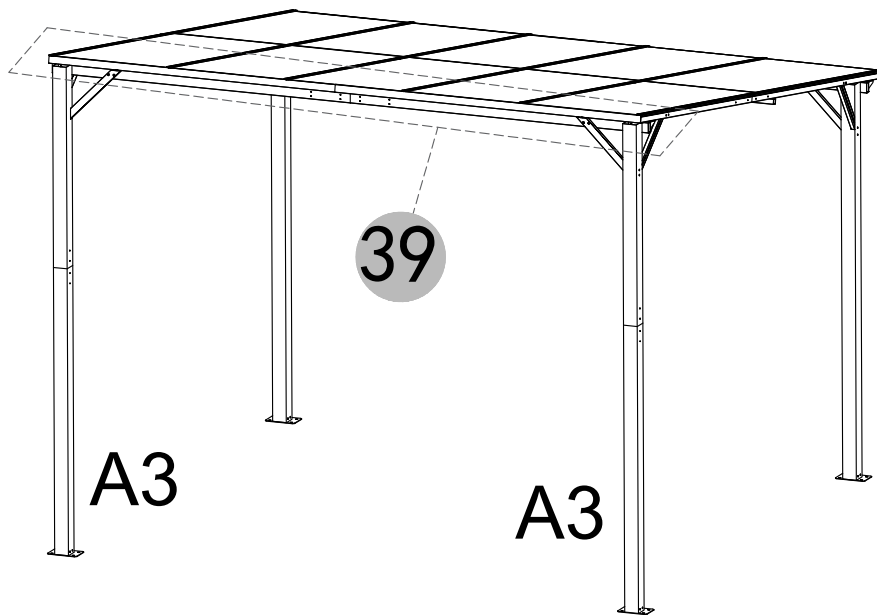
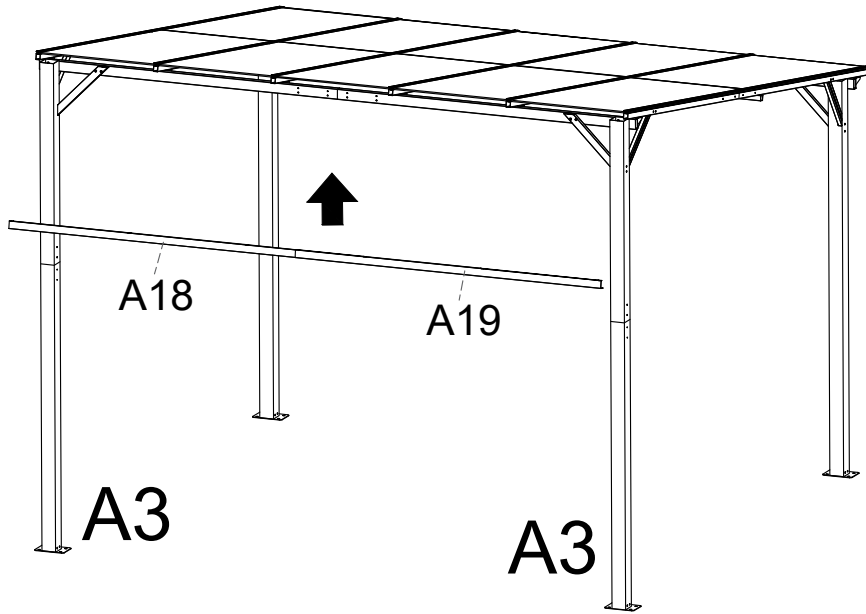
H6



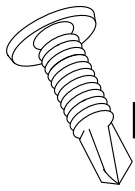
M4X40

X4





H1



M4. 2X13

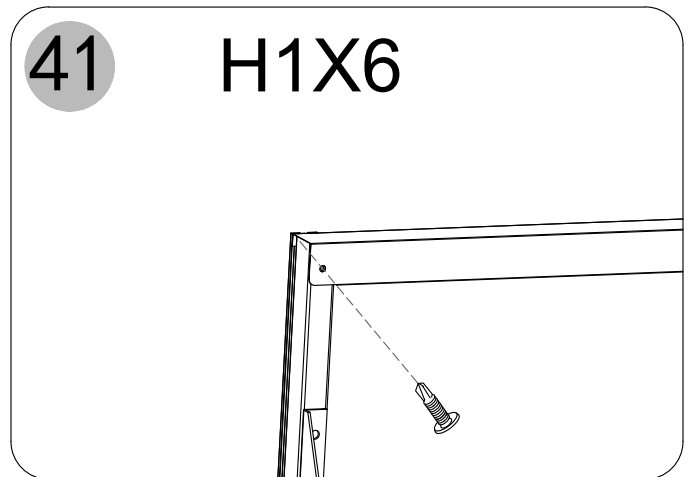
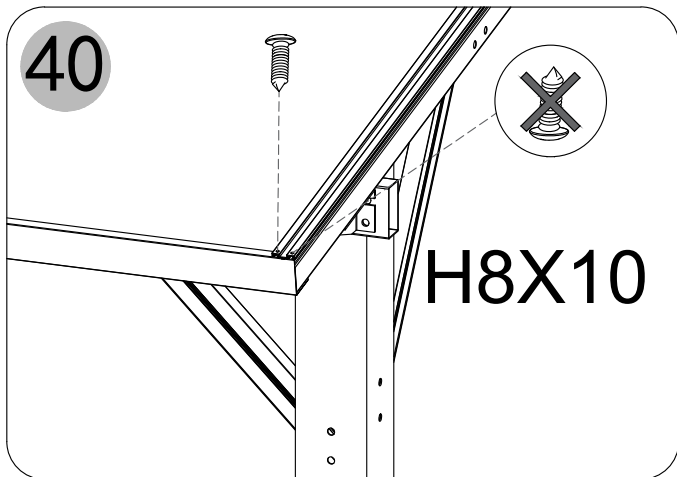
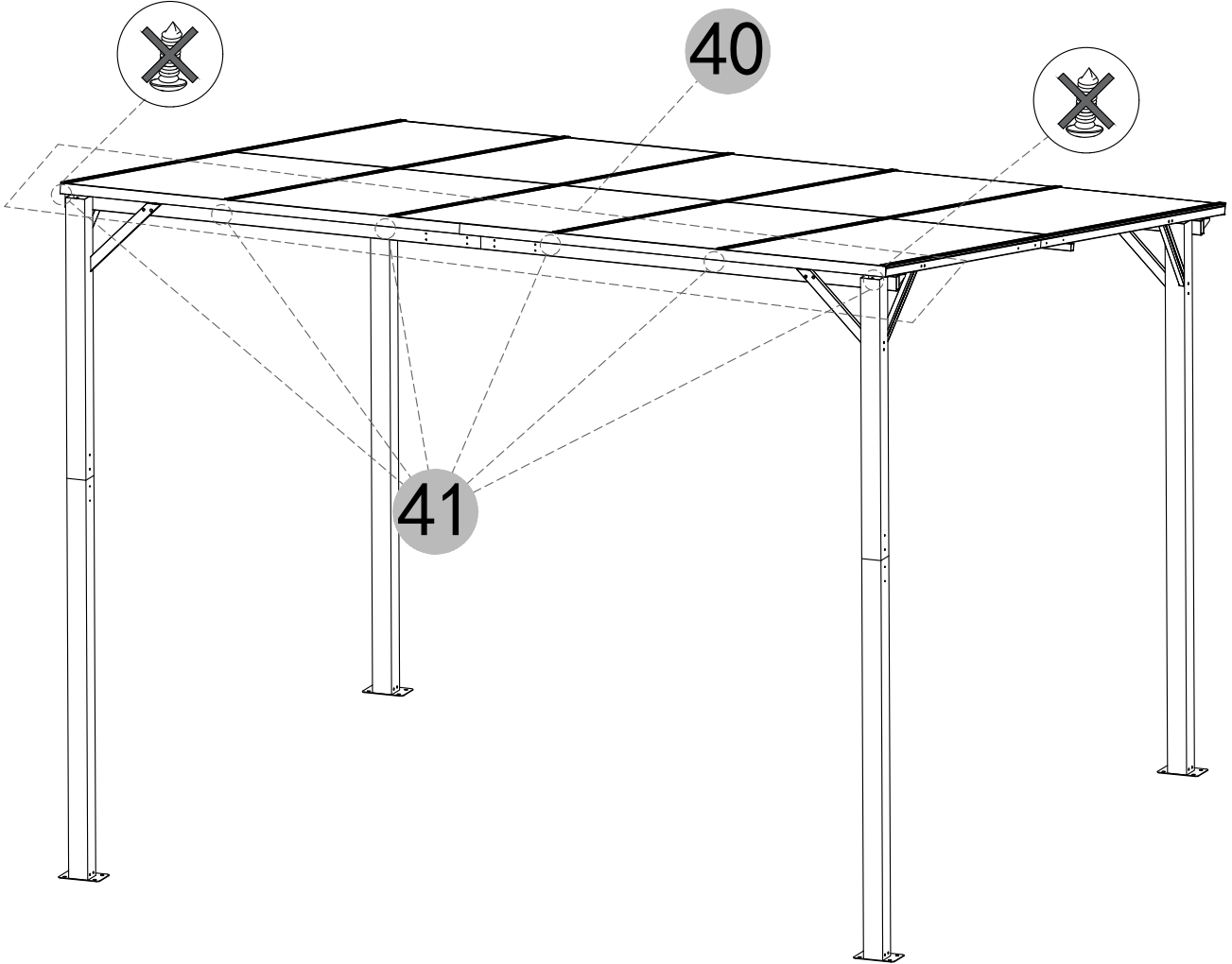
X6

H8

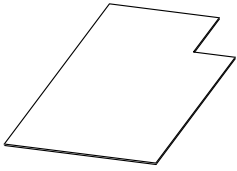


M4X10

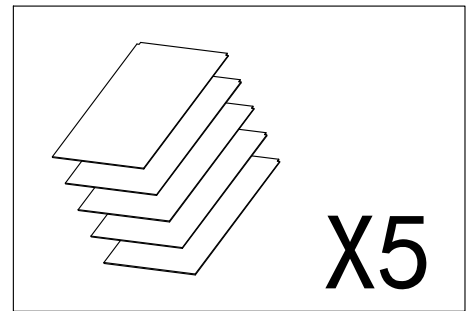
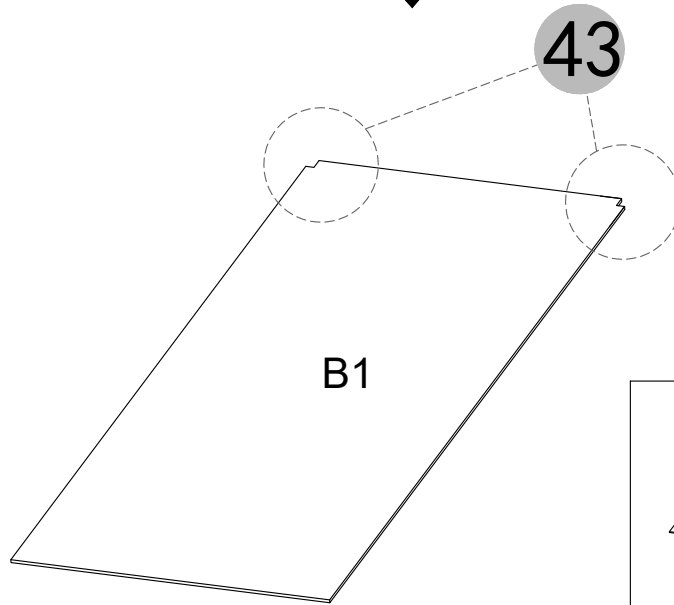
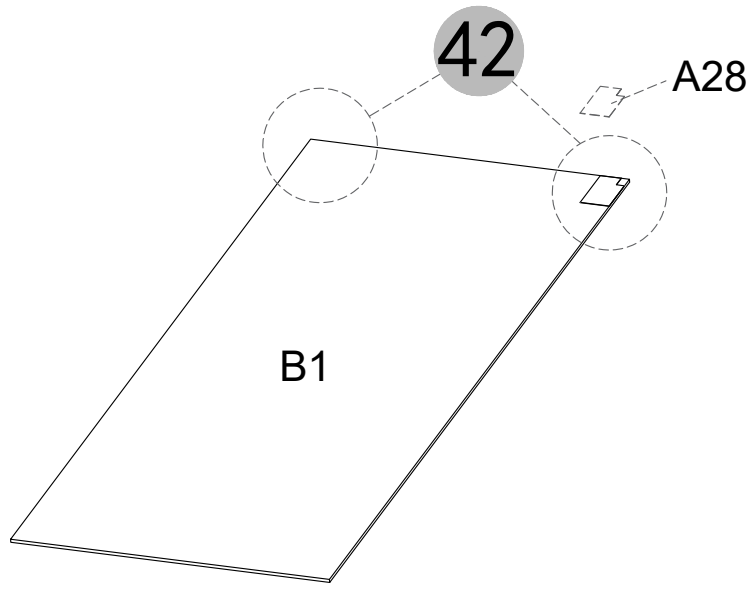
X10



A28

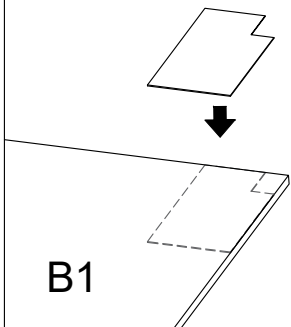


X1



42

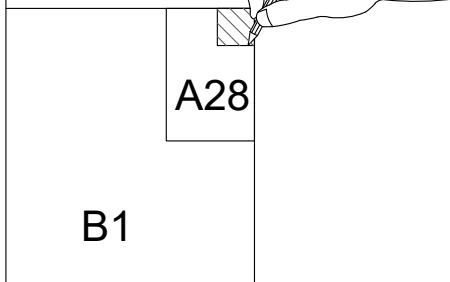
A28



B1

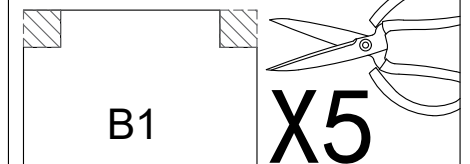
42

A28



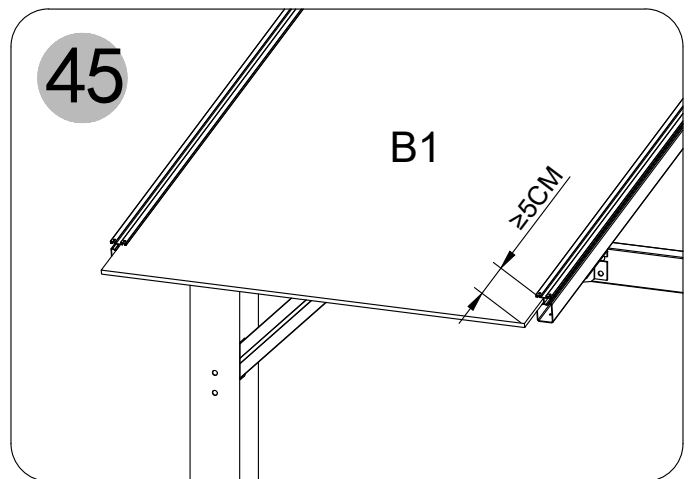
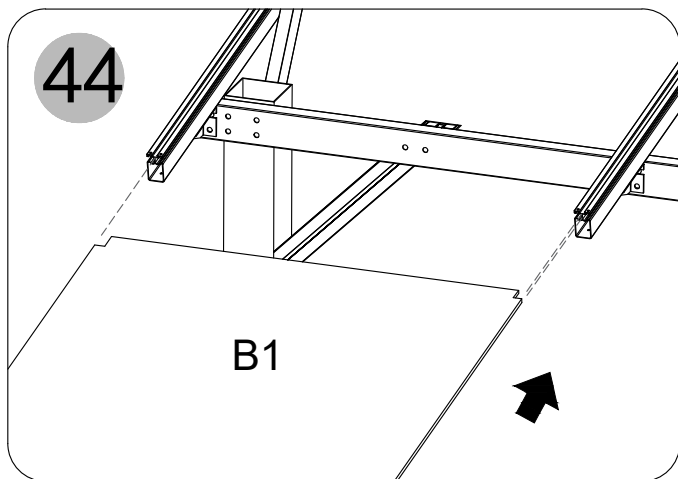
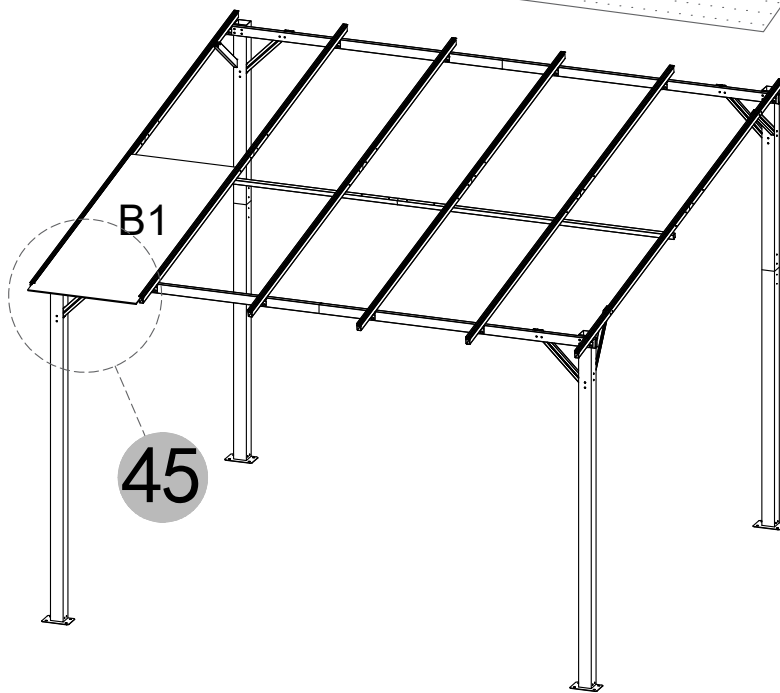
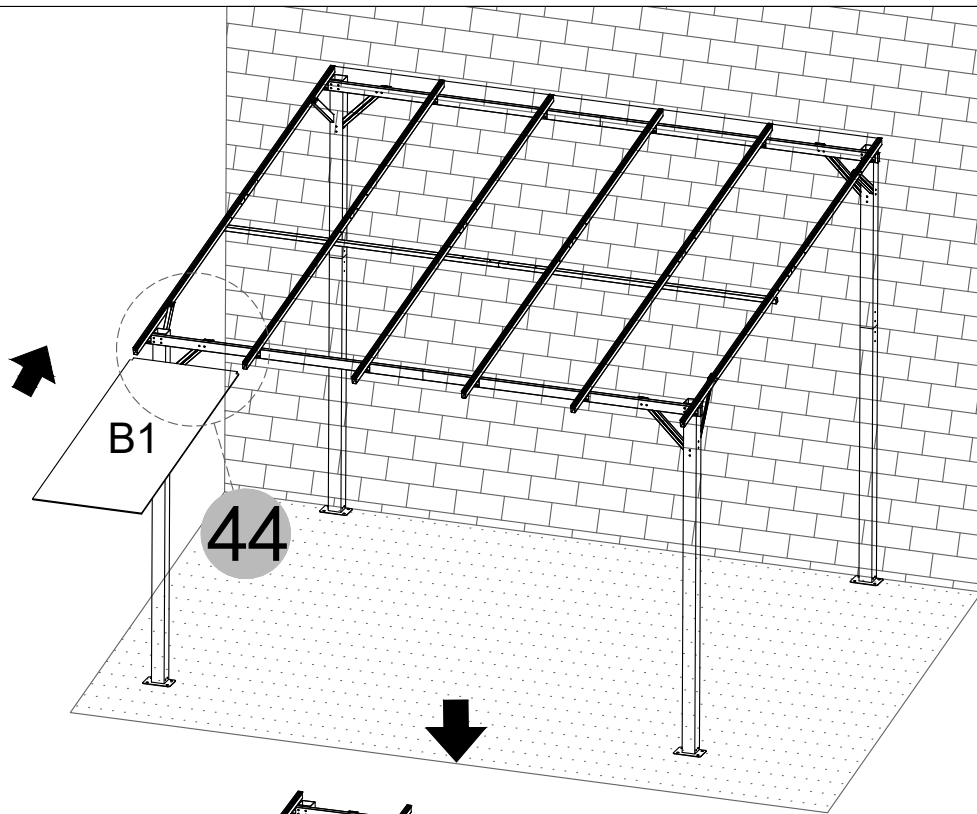
B1

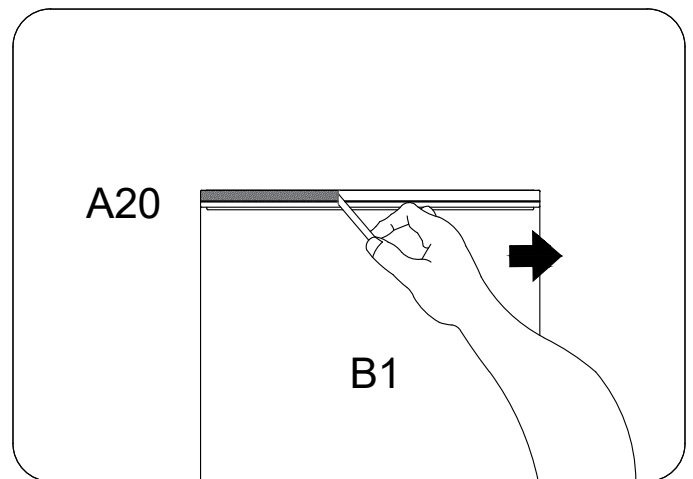
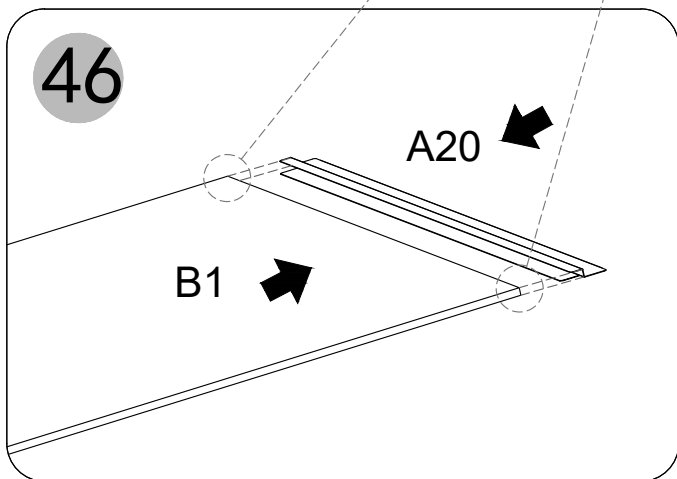
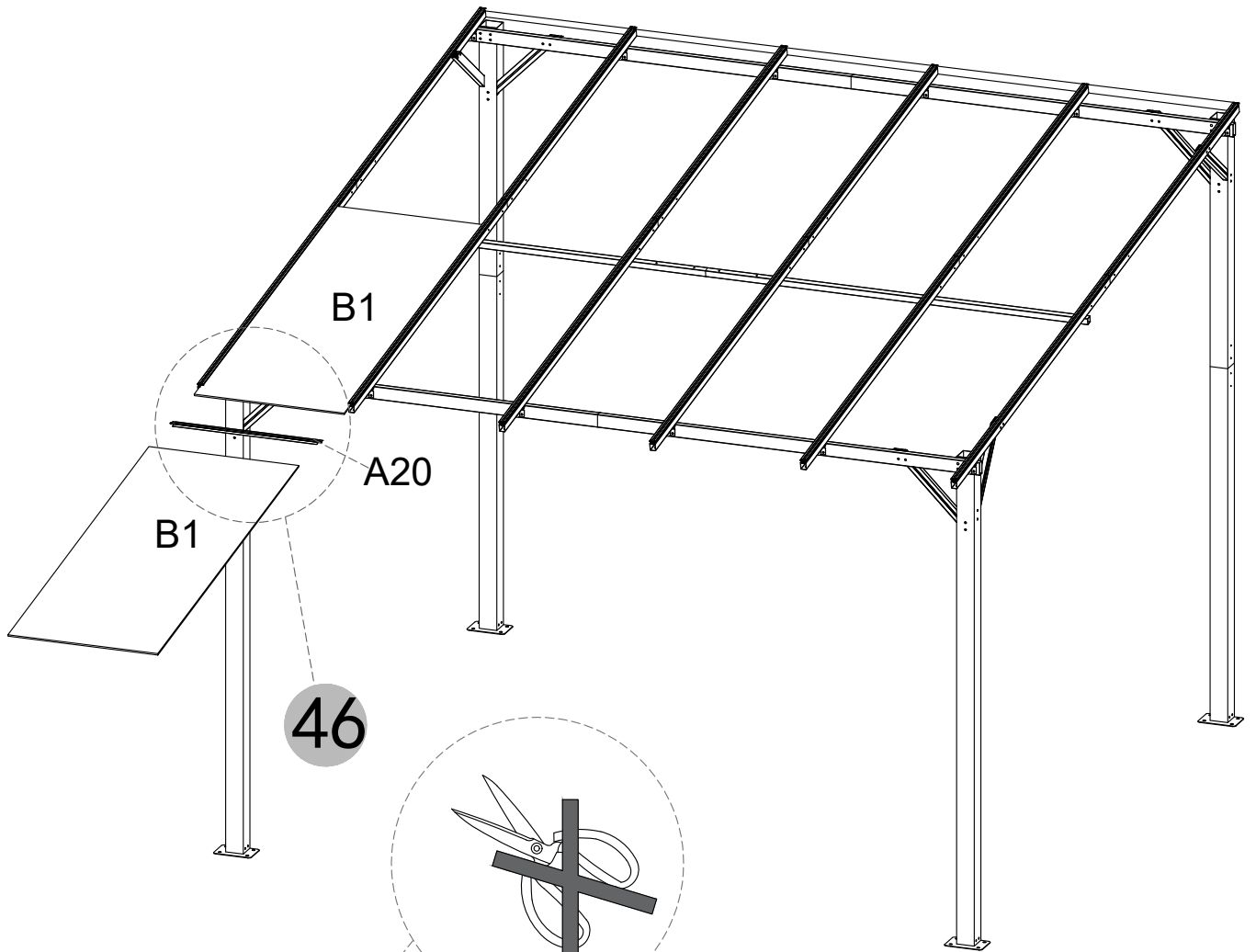
43

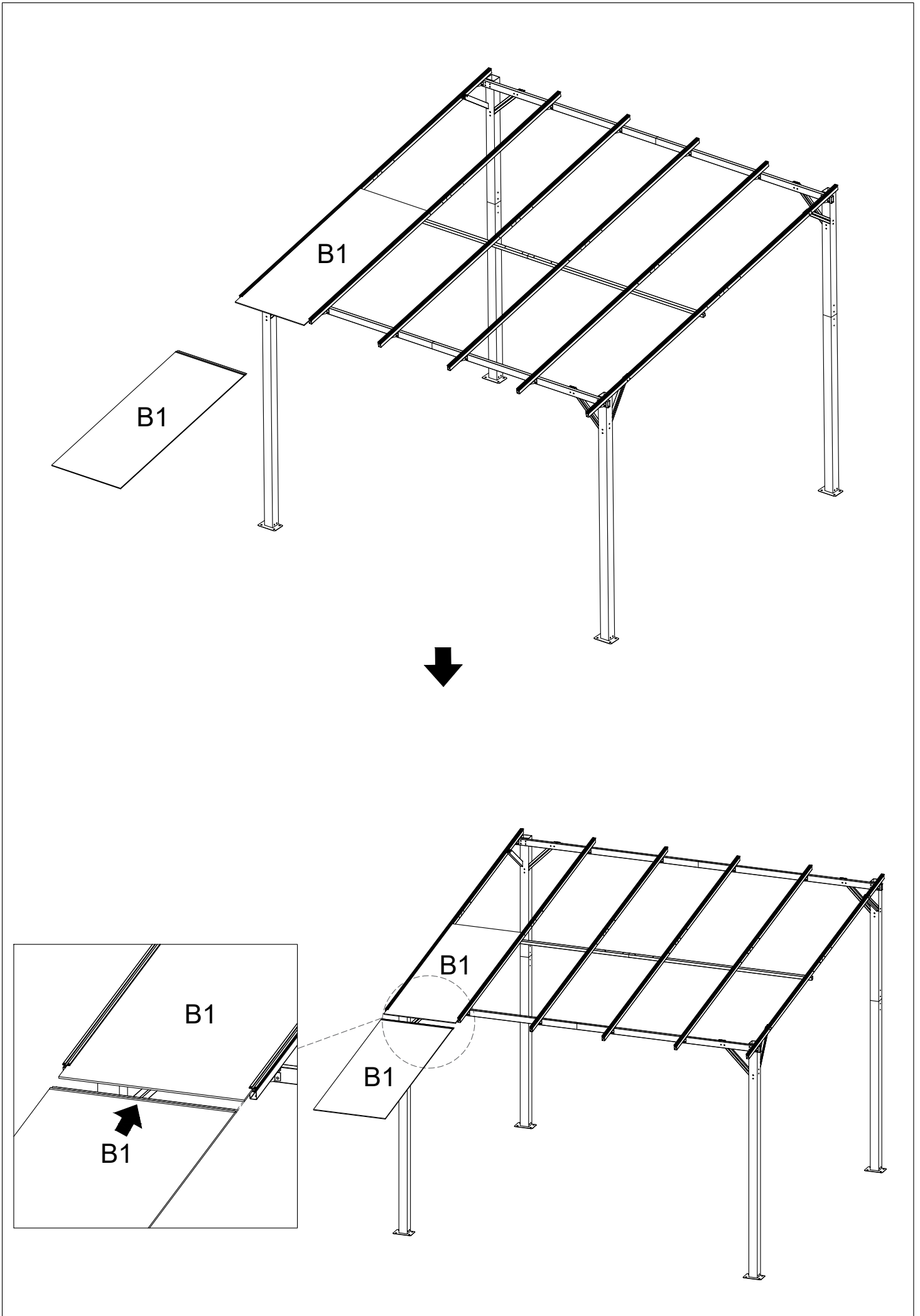


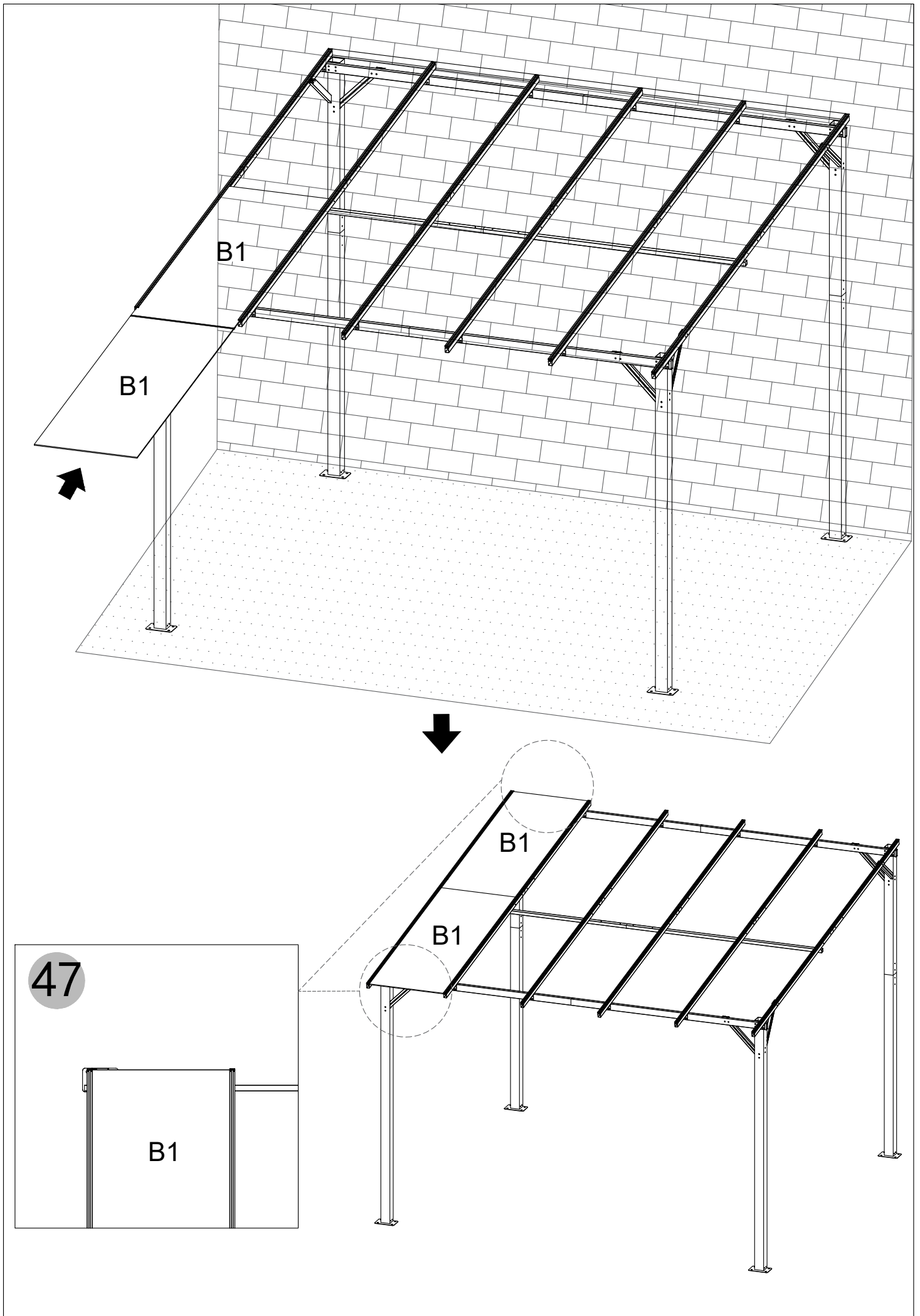
B1

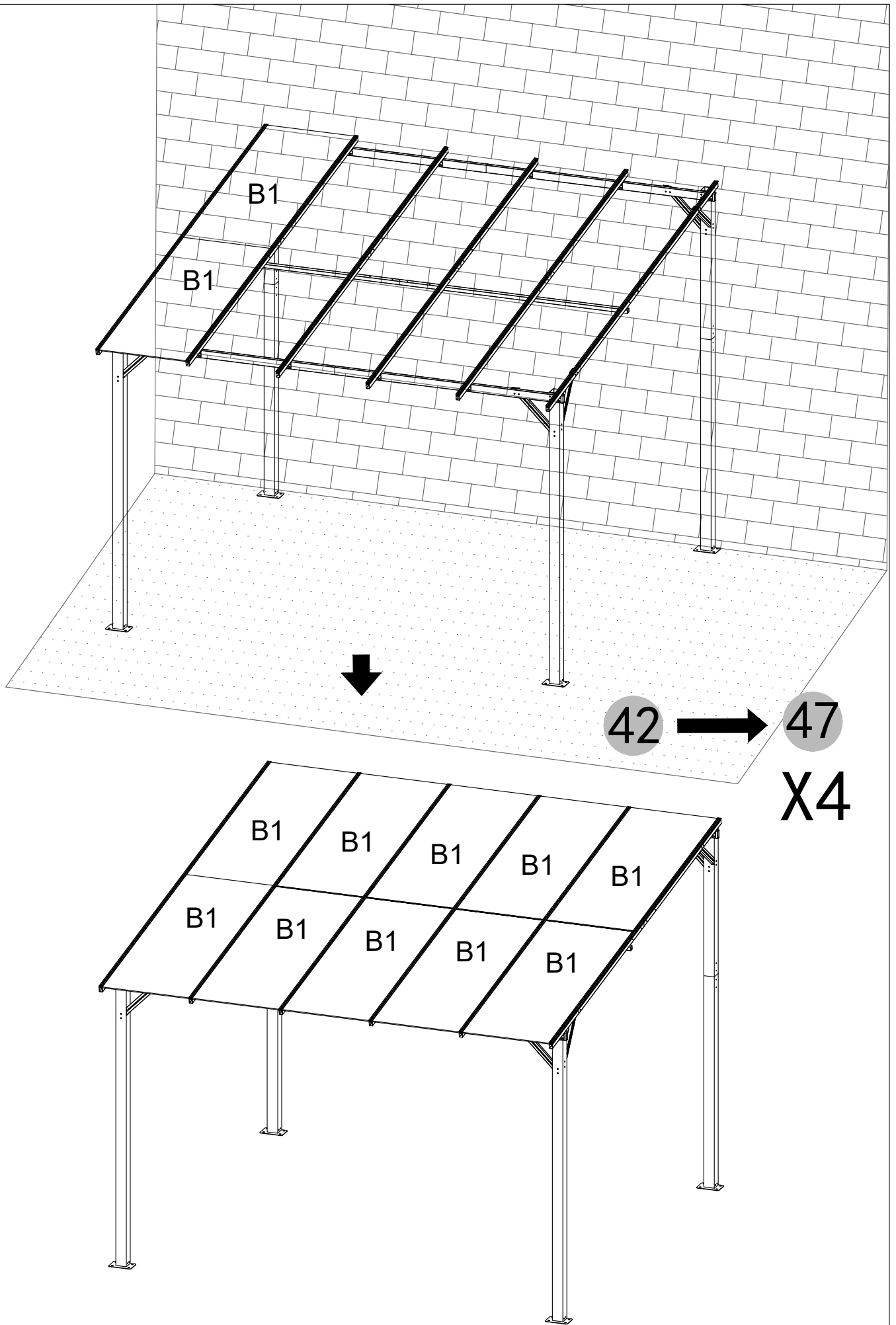
X5

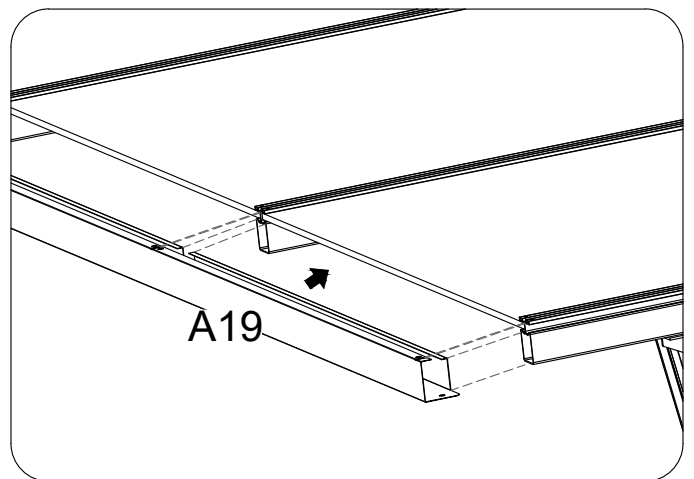
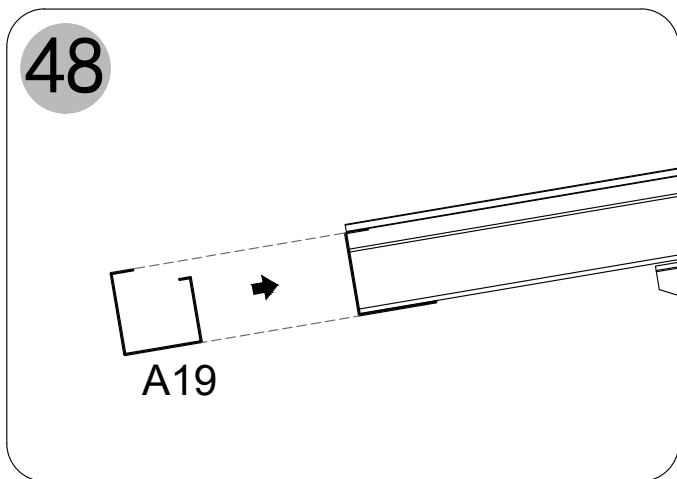
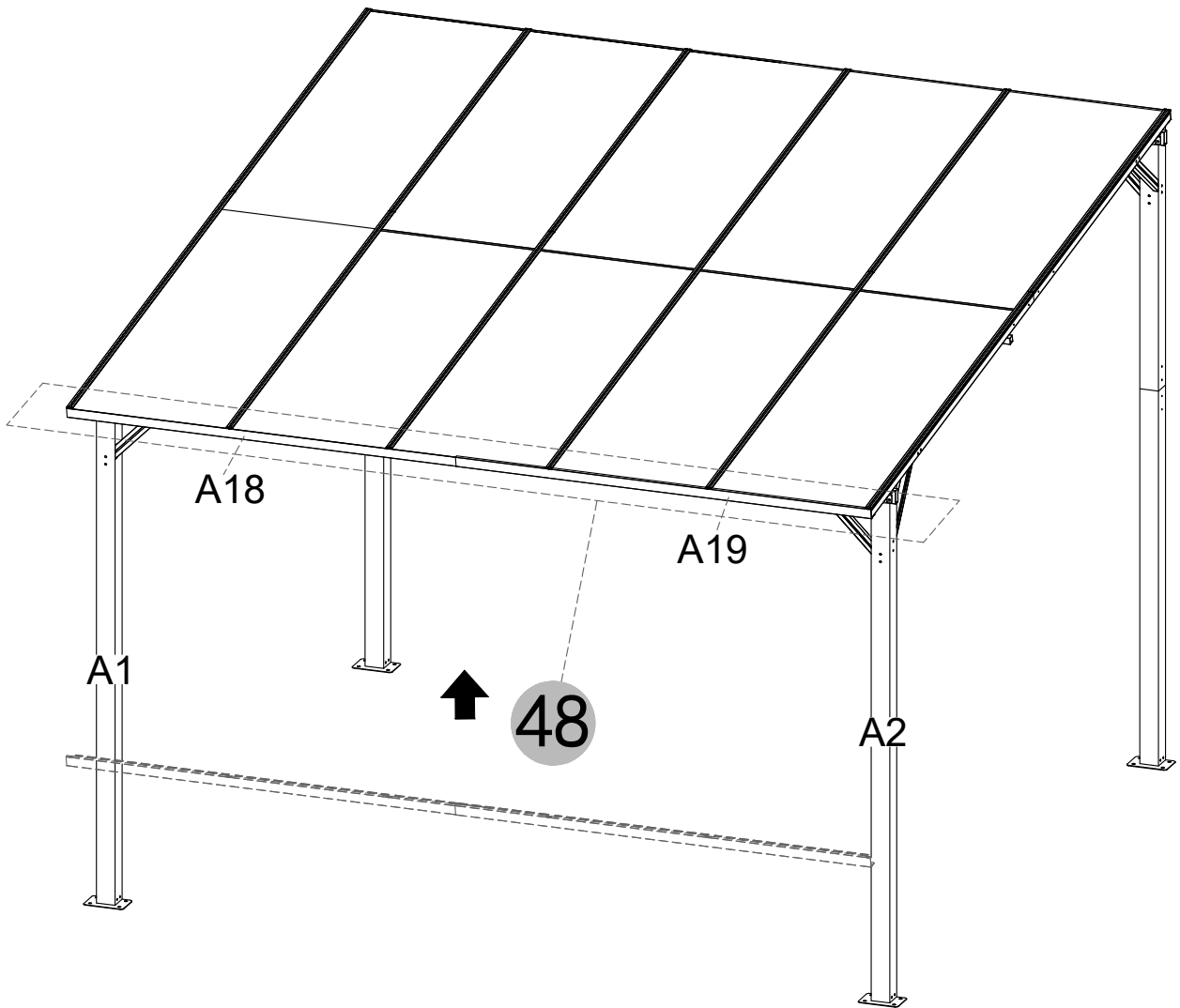




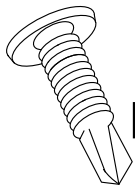








H1



M4. 2X13

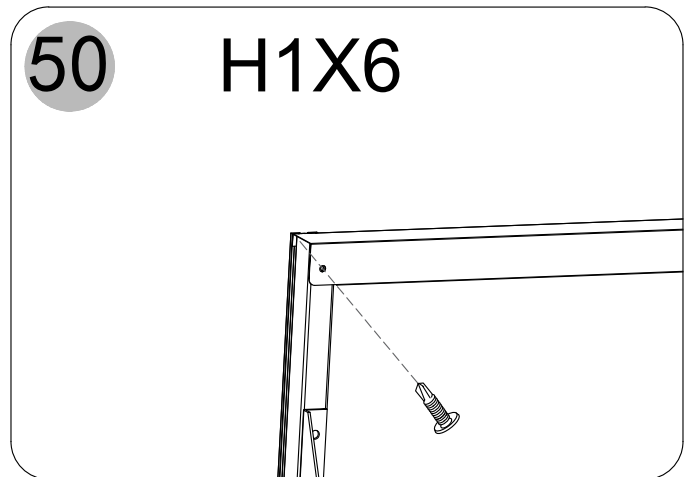
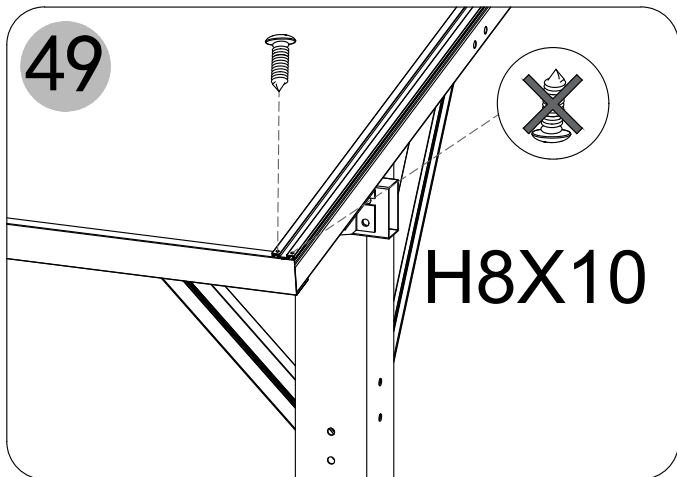
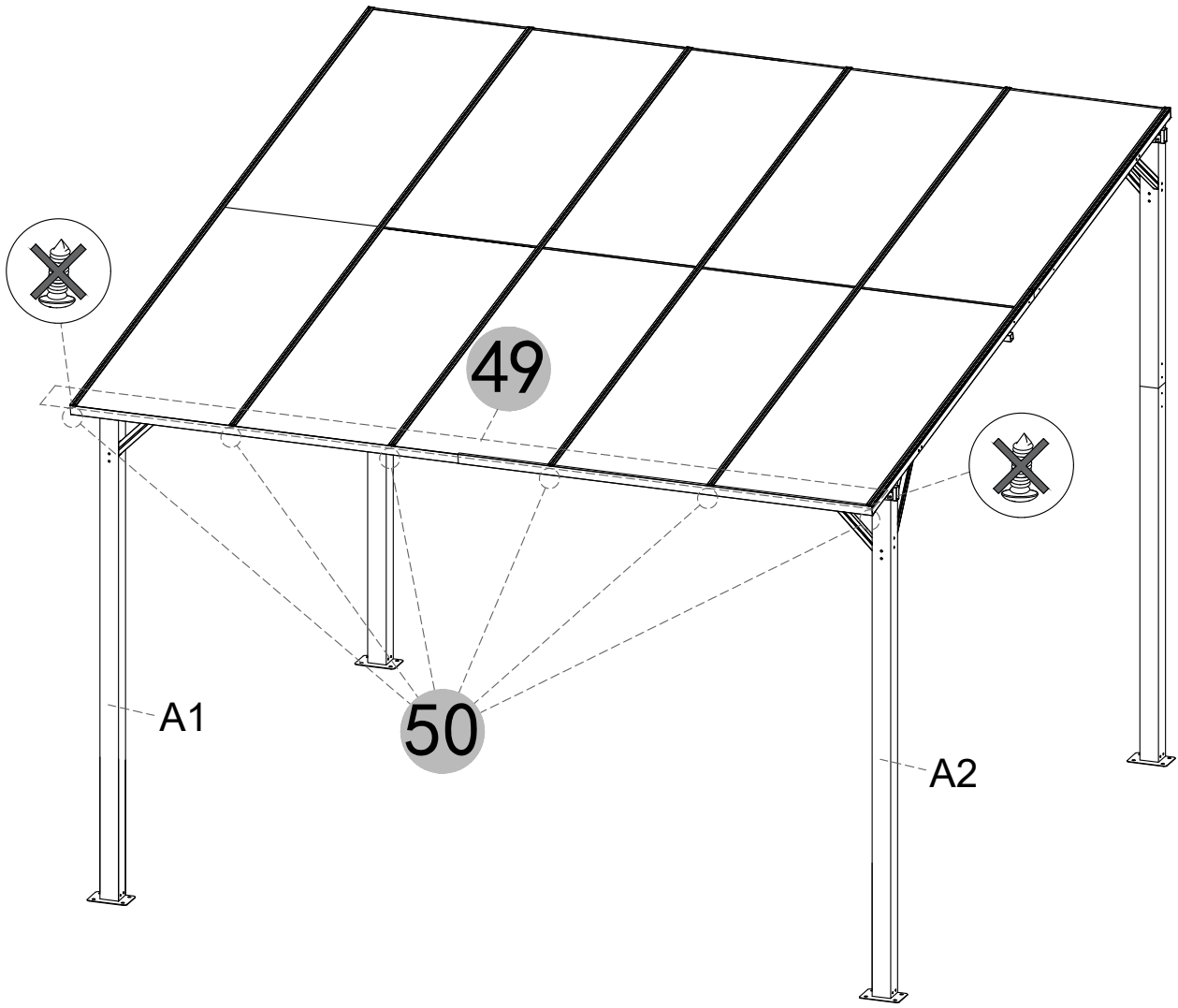
X6

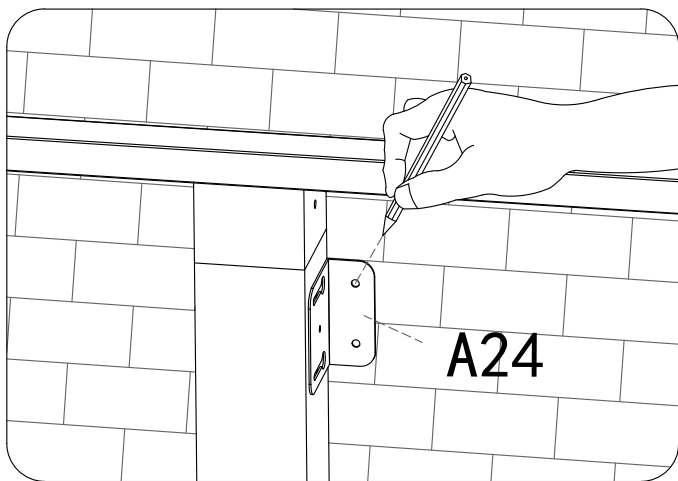
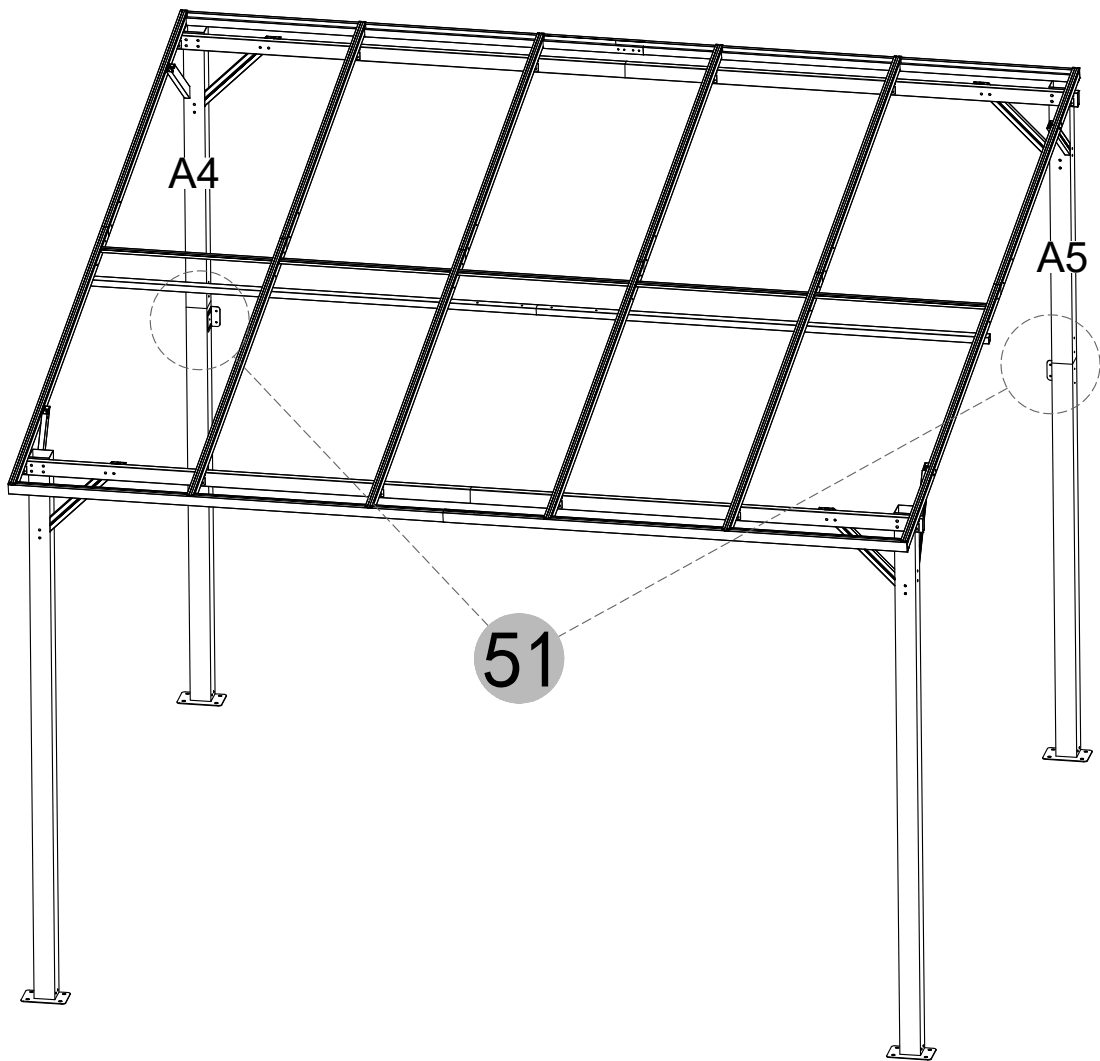
H8



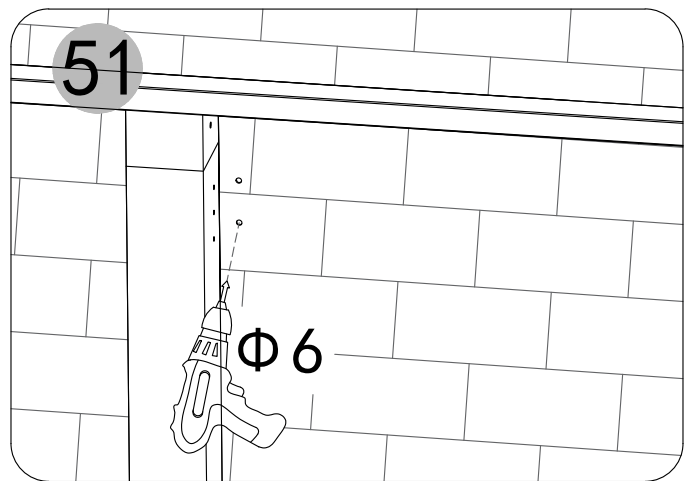
M4X10

X10



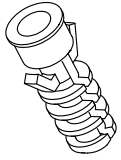


X2

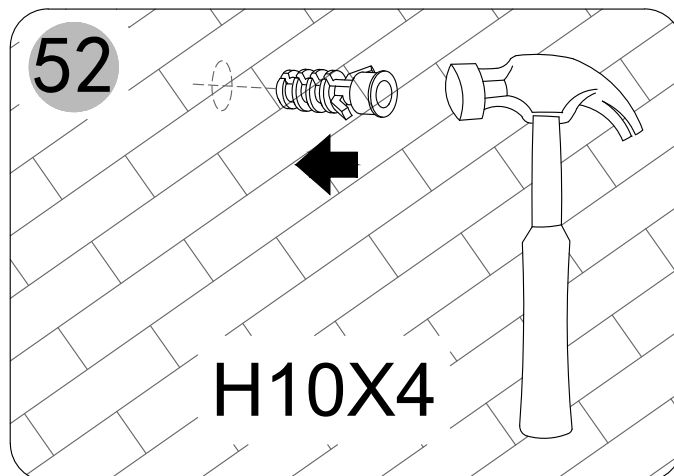
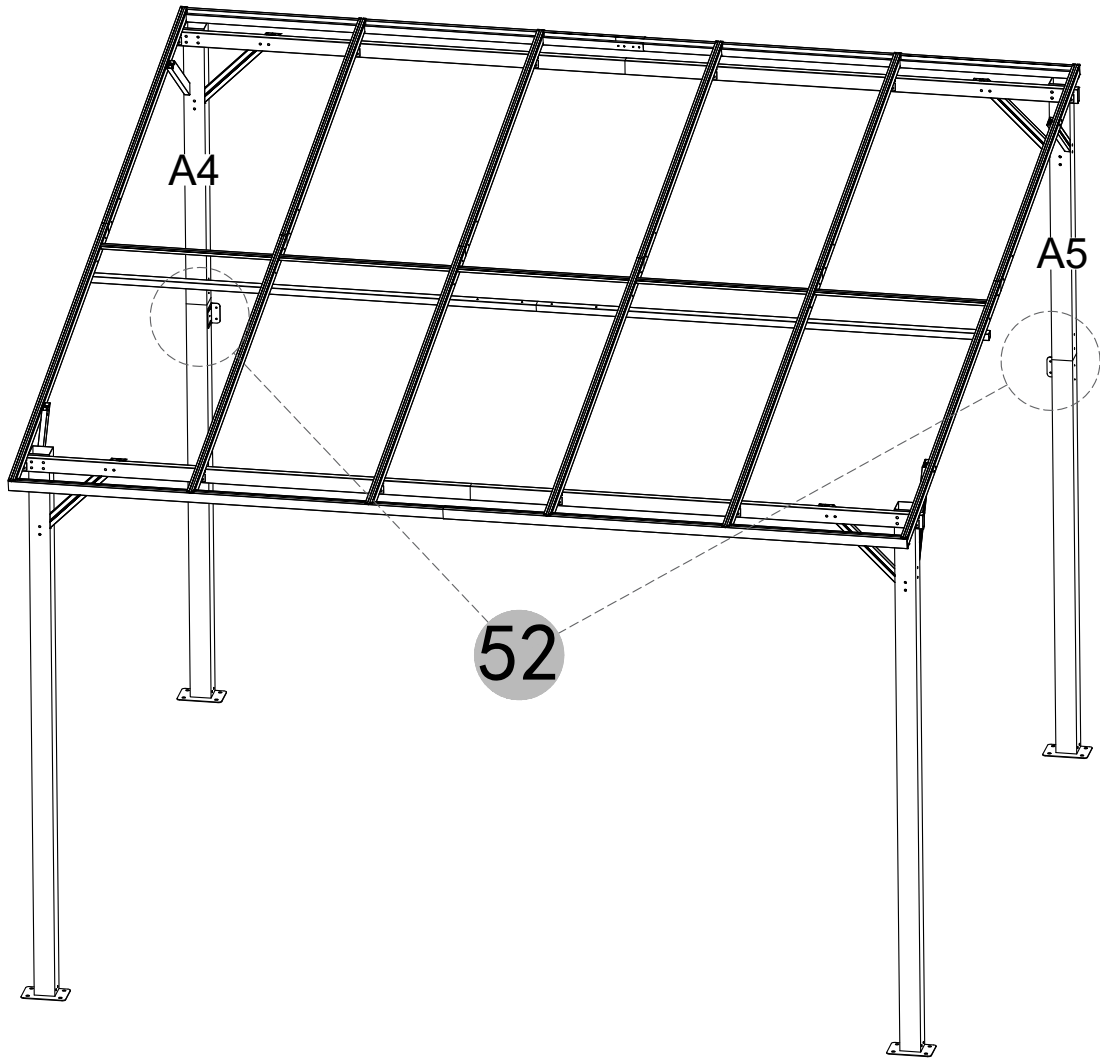


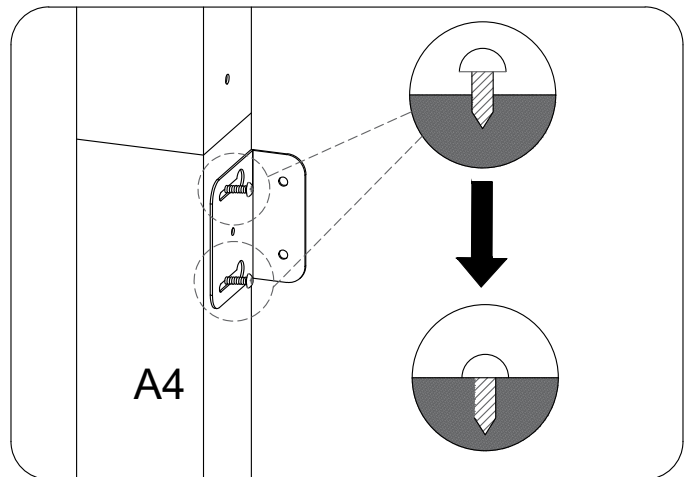
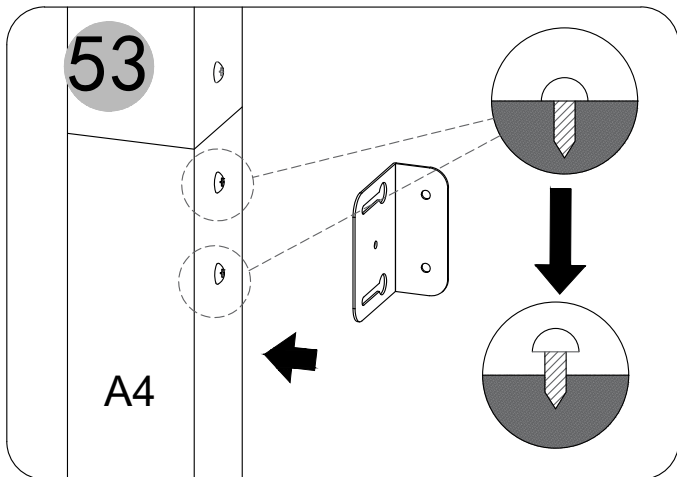
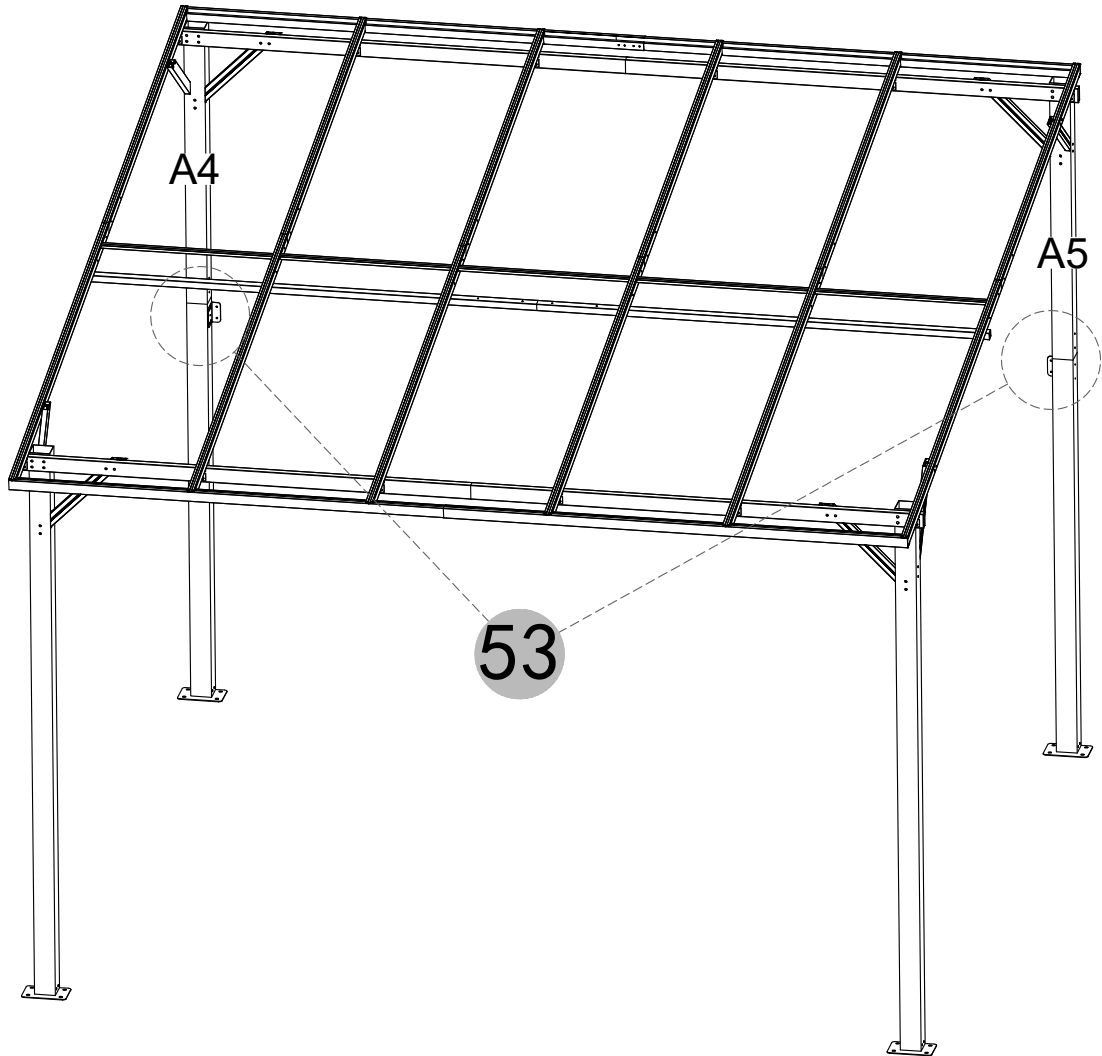
X2

H10

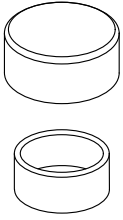


X4



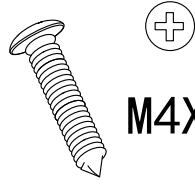


H7



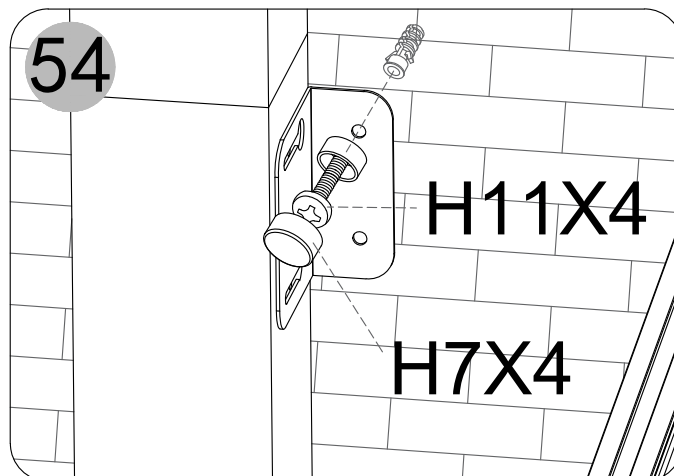
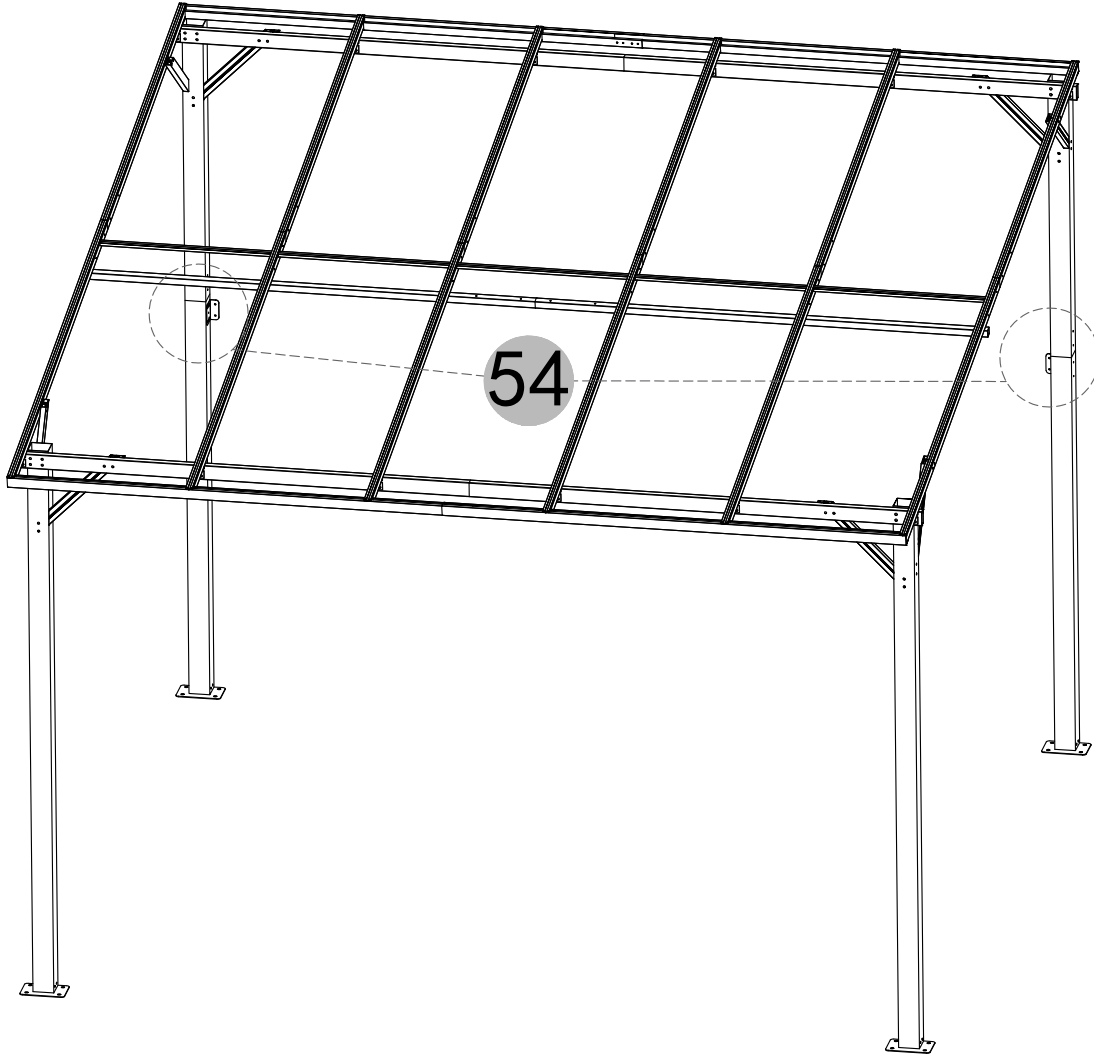
X4

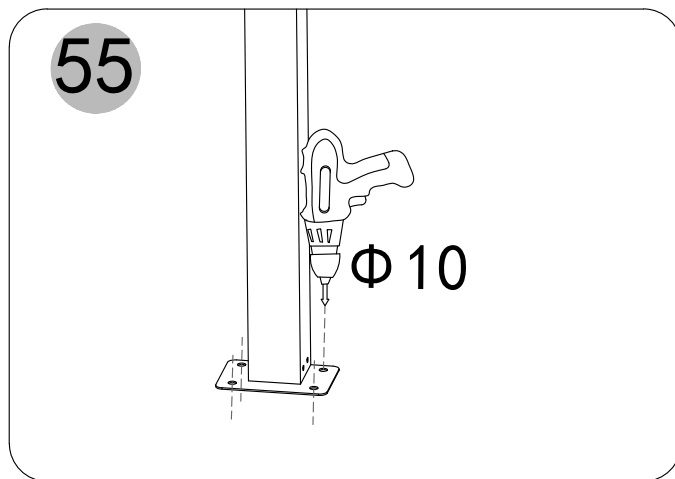
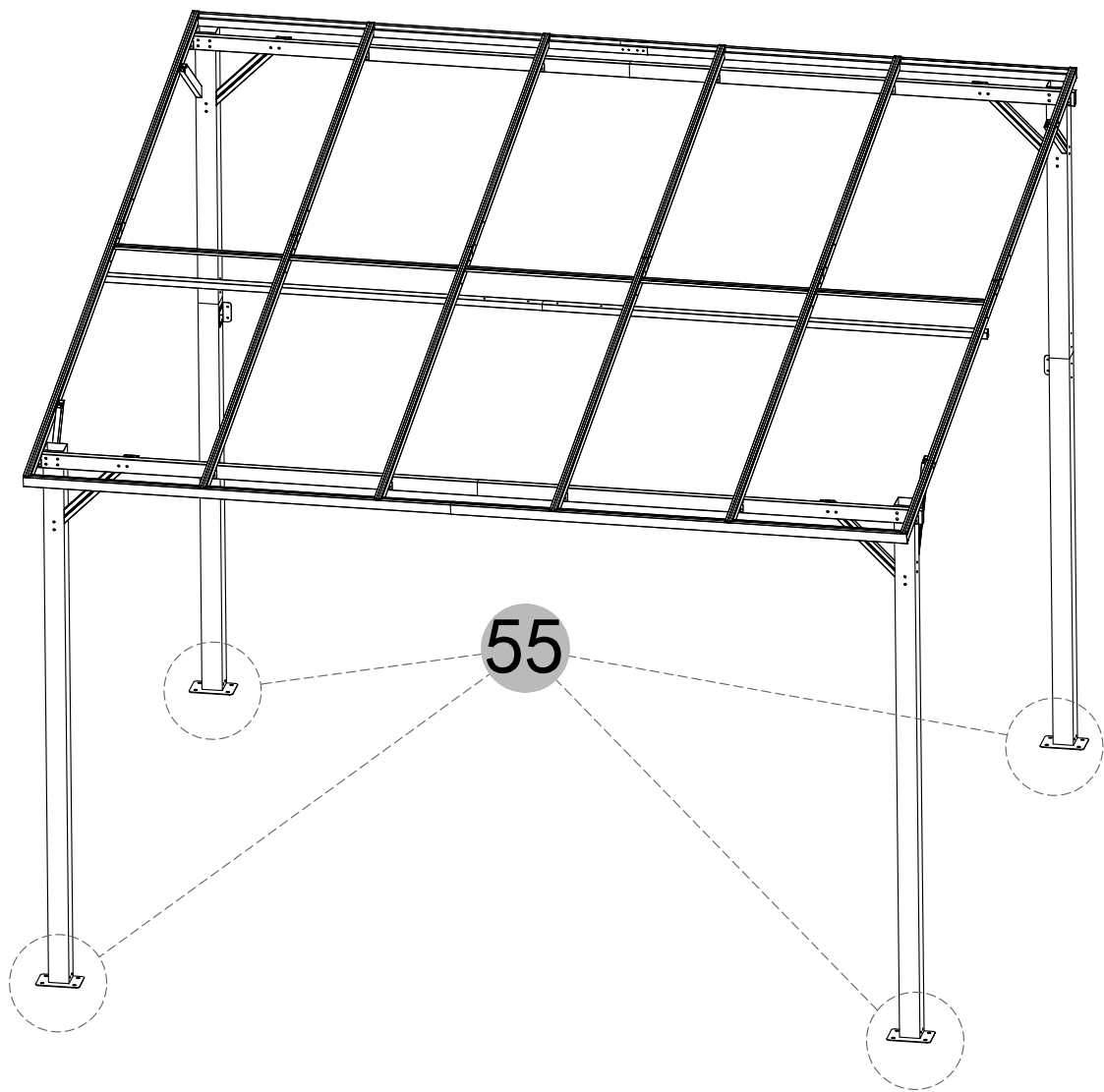
H11



M4X30

X4





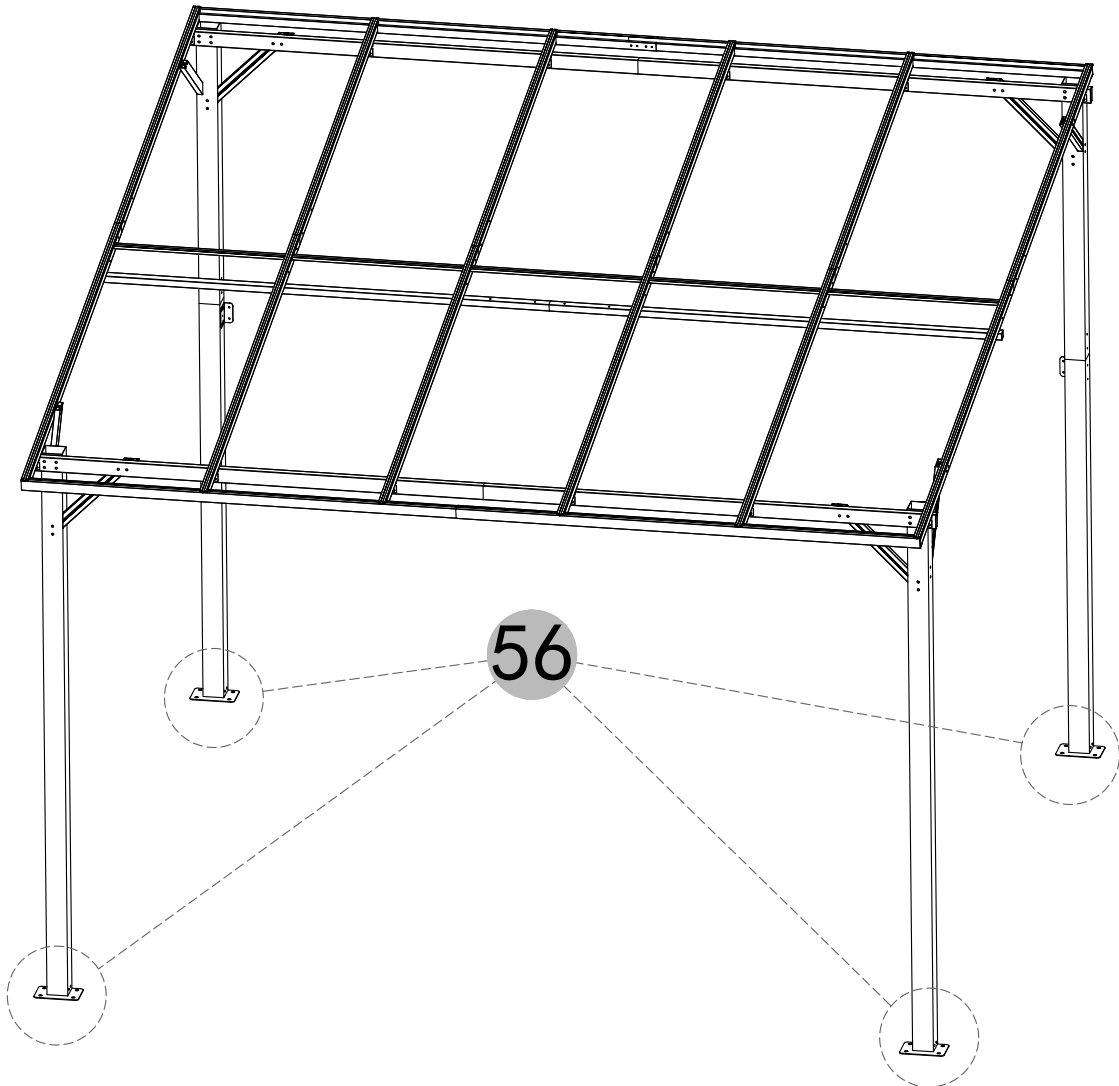
X4

H9

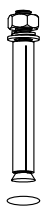
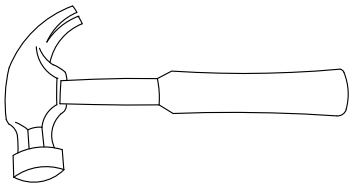


M6X100

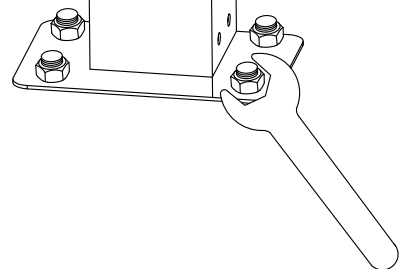
X16



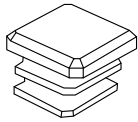
56



H9X16

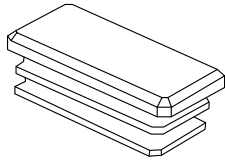


H12

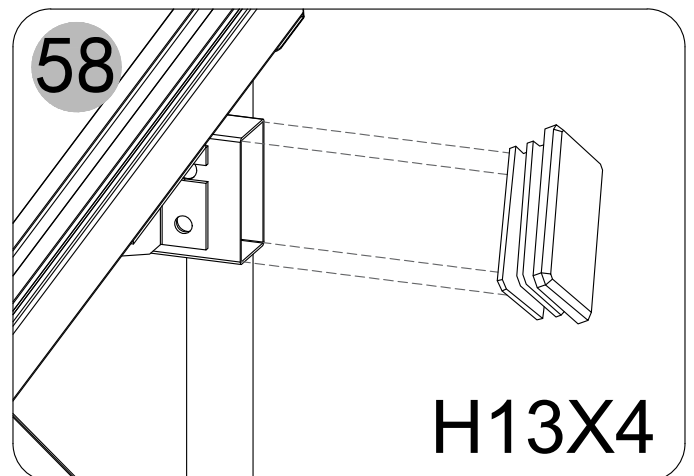
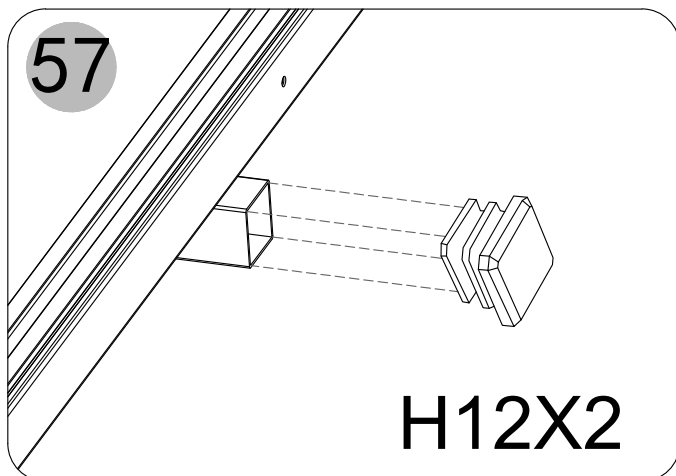
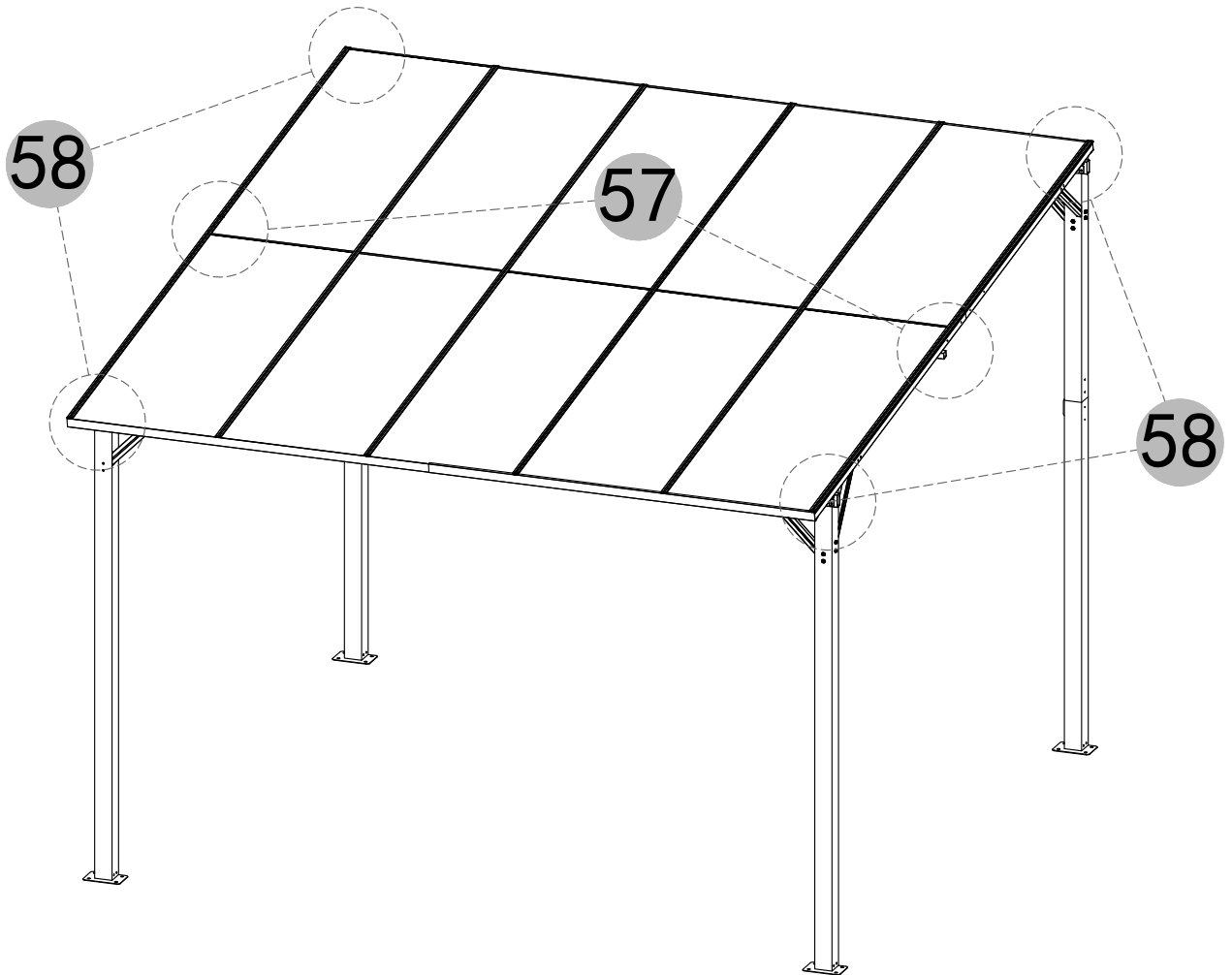


X2

H13



X4



Contact information

Austria



Belgium



Croatia



Denmark



Estonia



Finland



France



Germany



Ireland



Italy



Latvia



Lithuania



Nederland



Norway



Poland



Portugal



Spain



Sweden



Switzerland



UK

